



©2005 Hutchison Harbour Ring Enterprises Limited
All rights in this publication are reserved and no part may be reproduced without the prior written permission of the publisher. The contents of this publication are believed to be correct at the time of going to press, but any information, specifications, products or services mentioned may be modified, supplemented or withdrawn without further notice.

The Stylized i.Tech logos are trademarks owned by Hutchison Harbour Ring Enterprises Limited or its affiliates.

Bluetooth® and the Bluetooth logos are trademarks owned by Bluetooth SIG, Inc, USA and licensed to i.Tech Dynamic Limited.

www.itechdynamic.com



This device complies with Part 15 of the FCC Rules. Operation is subject to the following two conditions:
(1) this device may not cause harmful interference, and
(2) this device must accept any interference received, including interference that may cause undesired operation.
Caution: Changes or modifications not expressly approved by the party responsible for compliance could void the user's authority to operate the equipment.

i.Tech declares under our sole responsibility that the headset is in conformity with the provisions of the following Council Directives: 1999/5/EC



Dispose of batteries according to local regulations.
Do not dispose as household waste

Printed in China
P/N S3J-51A05086-01A



i.Tech Clip S38



User Guide





Congratulations on selecting i.Tech Clip S38 Headset.

Providing simple wireless connections to Bluetooth-enabled mobile handsets, your i.Tech Clip S38 headset offers you unrivalled freedom when marking and receiving calls while on the move or at the office.

This i.Tech Clip S38 headset is compliant with Bluetooth V1.2 specifications and compatible with mobile handsets that support Bluetooth Headset, Handsfree or A2DP Profiles.

Contents

i.Tech Clip S38 Headset Overview..... 1

Getting Started..... 2

Wearing your headset..... 3

Charging Your Headset..... 4-5

 Nominal Charging Time..... 5

 Talk & Standby Time..... 5

 Low Battery..... 5

Turning Your Clip S38 Headset On and Off..... 6

Turning the Built-in Buzzer On and Off..... 6

Pairing Your Headset..... 7-8

Using Your Headset..... 9-10

 Answering a Call..... 9

 Answering a Call when Listening to Stereo Audio..... 9

 Ending a Call..... 9

 Rejecting a Call..... 9

 Dialing from Your Mobile Handset..... 9

 Voice Dialing from Your Headset..... 10

 Last Number Redialing from Your Headset..... 10

 Listening to Stereo Audio from Bluetooth A2DP-Ready Device..... 10

Adjusting the Volume..... 11

Resetting / Removing the Pairing 11

Care and Maintenance..... 12-13

Safety Information..... 14

Troubleshooting..... 15

Product Specifications..... 16

Declaration of conformity 17

i.Tech Clip S38 Headset Overview

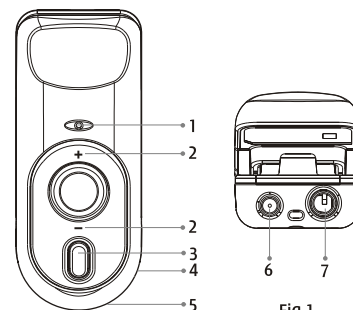


Fig.1

- 1. Microphone
- 2. Volume Key
- 3. Multi-function Button (MFB)/Dual colour LED
- 4. Built-in Rechargeable Battery
- 5. Built-in Buzzer
- 6. Charging Socket
- 7. 3.5mm Stereo Phone Jack

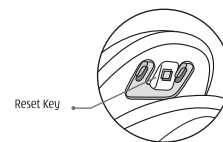


Fig.2

Getting Started

To use your i.Tech Clip S38 headset ("the headset") you are only required to follow these simple procedures:

- Charge your headset
- Pair your headset with a Bluetooth-enabled mobile handset

Instructions on how to follow these procedures are detailed in this user guide.

Wearing Your Headset



Fig. 3

Charging Your Headset

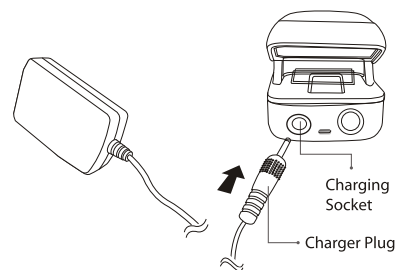


Fig. 4

The Clip S38 headset comes with a built-in rechargeable battery. Prior to using the headset for the first time, it is recommended that you fully charge the battery.

Charging Your Headset

Connect the charger to an AC wall outlet (mains socket) and the charger plug to the headset's charging socket (fig.4). The LED will be red whilst charging.

IMPORTANT: Charging indication will be delayed for a few seconds if the headset has not been used for a long time or the battery is drained.

Nominal Charging Time

The battery is normally fully charged within 3 hours. When the battery is fully charged, the LED will turn blue and remain on. Disconnect the charger from AC wall outlet (mains socket) and the headset.

Press and hold the MFB (fig.1) for 2 seconds to turn the headset on, please refer to "Turning Your Headset On and Off" on the next page.

Talk & Standby Time

The fully charged battery offers up to 6 hours talk time and up to 150 hours standby time. When no calls are in progress, the headset remains turned on in standby mode.

Low Battery

When the headset is on and the battery becomes low, the LED flashes red and the headset emits a beep every 1 minute. Please recharge the battery as advised above.

Turning Your Clip S38 Headset On and Off

Turning On the Headset

Press and hold the MFB for 2 seconds until you hear a short beep. The LED will flash blue.

IMPORTANT Please press the MFB each time you turn on the headset to reactivate pairing so that the connection between the headset and the mobile handset is resumed. For pairing, please refer to "Pairing Your Headset" on page 7-8.

Turning Off the Headset

Press and hold the MFB for 3 seconds until you hear a long beep. The LED will stop flashing.

IMPORTANT To disconnect the Bluetooth connection, you must first turn off your headset by pressing the MFB key.

Turning the Built-in Buzzer On and Off

Turning on the Built-in Buzzer

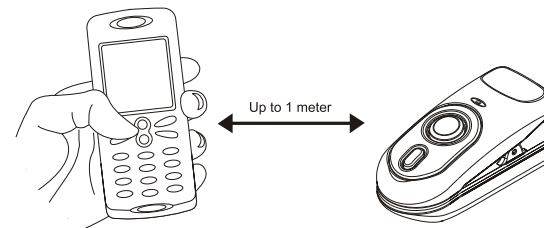
Press and hold the Volume + for 2 seconds until you hear a long beep. The LED flashes blue.

NOTE The default setting of the built-in buzzer is set to "ON" when pricked.

Turning off the Built-in Buzzer

Press and hold the Volume - for 2 seconds until you hear 2 short beeps. The LED flashes red. Now, when there is an incoming call, the ringing tone will only be heard through one earphone.

Pairing Your Headset



Prior to using your Headset for the first time, you must pair it with a Bluetooth-enabled mobile handset.

The information on the following page describes a typical pairing procedure for Bluetooth-enabled mobile handset. Headset pairing procedures can vary depending on the type of model of your mobile handset.

Pairing Your Headset

1. Place the headset and the mobile handset where they are easily viewable and no more than 1 meter apart.
2. Ensure the headset is turned OFF.
3. Press and hold the MFB until the headset LED alternately flashes blue and red.
4. Activate your mobile handset's Bluetooth function by referring to your mobile handset user guide for details.
5. Set the mobile handset to search for Bluetooth devices within a 1 meter range as instructed in the mobile handset user guide and select "i.Tech Clip S38" from the list.
6. Enter the preprogrammed passkey "8888" and press "OK" to pair your headset and mobile handset. When the pairing is complete, the headset LED will flash blue rapidly 5 times followed by a long beep.
7. Go back to your mobile handset's main menu. For certain mobile handset models, a headset icon will be shown on the screen. You should now be able to make and receive calls using your headset.

IMPORTANT If the pairing cannot be completed within 2 minutes whilst the pairing mode is activated, the headset LED will flash purple red, and beeps 3 times followed by a long beep before switching off. Please repeat Steps 2 to 7 to pair the headset and the mobile handset again.

Using Your Headset

Answering a Call

When there is an incoming call, you will hear ringing through the earphone and the built-in buzzer. Press the MFB to accept the call or answer the call via your mobile handset in the normal way.

If you want to stop the buzzer from ringing, press the Volume Key once. You now only hear the ringing tone through the earphone.

Answering a Call when Listening to Stereo Audio

Press the MFB once to answer the call and when finished, press the MFB once again to resume stereo audio.

If the other party you are speaking to ends the call, stereo audio will automatically resume without having to press the MFB.

NOTE To receive stereo audio from your mobile handset or PDA, please make sure they support the Bluetooth A2DP profile.

Ending a Call

Press the MFB to end your call or end the call via your mobile handset in the normal way.

Rejecting a Call

To reject an incoming call, press and hold the Volume Key for 2 seconds until you hear 2 beeps.

Dialing from Your Mobile Handset

Simply make calls on your mobile handset in the normal way.

Using Your Headset

Voice Dialing from Your Headset

If your mobile handset is equipped with a voice dialing function, simply press the MFB on your headset and when you hear a beep, state the voice tag.

IMPORTANT Please make sure you have recorded the voice tags into the mobile handset before using voice dialing function.

Last Number Redialing from Your Headset

Press the MFB on your headset twice.

IMPORTANT The above functions are only applicable to mobile handsets with Bluetooth Handsfree Profile. Functionality varies depending on the mobile handset model you have. Please refer to your mobile handset user guide for additional information.

Listening to Stereo Audio from Bluetooth A2DP-Ready Device

By connecting you headset to Bluetooth A2DP Ready Device, you must first pair your headset with your device and activate the A2DP Service. For further details regarding this prodecure, please refer to the section of this user guide entitled/'Pairing your headset.'

Adjusting the Volume

Push 'Up' on the **Navigation Key** repeatedly to increasing the volume or push down on the **Navigation Key** repeatedly to decrease the volume.

Resetting / Removing the Pairing

You may wish to reset the headset to its original settings. This will also clear all current pairings.

1. Ensure the headset is OFF.
2. Press and hold the **Volume Key** for 20 seconds.
3. Release the **Volume Key**.
4. Press and hold the **Volume Key** again until you hear 2 beeps.
5. Recharge the headset for a few seconds

The headset is turned off and returns to the original settings. All current pairings are cleared.

Care and Maintenance

Headset

- Consider turning your headset off before placing it in your pocket or bag. If the MFB is accidentally activated, your mobile handset may place an unintended call.
- Do not expose the headset to liquid, moisture or humidity as it is not waterproof.
- Do not use abrasive cleaning solvents to clean the headset.
- Do not expose the headset to extreme temperature conditions.
- Do not dispose of the headset in a fire as it this may result in an explosion.
- Do not bring your headset into contact with sharp objects as this will cause scratches and damage.
- Do not stick anything inside the headset as this may damage the internal components.
- Do not attempt to disassemble the headset as it does not contain serviceable components.
- If you do not use the headset for long periods, be sure to store it in a dry place, free from extreme temperature conditions and dust.

Built-in Battery

- Do not attempt to replace the headset's battery yourself as it is built into the headset and is non- changeable.
- Charge the battery in accordance with the instructions supplied with this user guide.

Charger

- Only use the manufacturer supplied charger when charging the headset.
- Do not disassemble the charger as it may expose you to dangerous voltages and other risks. Incorrect reassembly can cause electric shocks when the headset is subsequently used.
- Do not use the charger outdoors or in damp areas.
- Only charge the headset's built-in battery in accordance with the instructions contained in this user guide.
- Avoid charging the headset in extremely high and low temperature.

Safety Information

- Check local laws regarding the use of mobile handsets and headsets whilst driving. If you use the headset while driving, ensure your attention and focus remain on the road and you drive in a responsible and safe manner.
- Never allow children to play with the headset - small parts may be a choking hazard.
- Observe all signs that require an electrical device or RF radio product to be switched off in designated areas. These could include hospitals, blasting areas, and potentially explosive environment.
- Turn off your headset prior to boarding an aircraft. Do not use your headset in an aircraft.
- Never mount or store your headset over any air bag deployment area as serious injury may result when the air bag deploys.
- Do not open or mutilate the built-in battery.
- Dispose of batteries according to local regulations. Do not dispose as household waste

Troubleshooting

If you are unable to connect your headset and mobile handset, please try the following:

- Ensure your headset is turned off and is properly charged.
- Ensure the headset is paired with your mobile handset.
- Ensure your mobile handset's Bluetooth feature is activated. Please refer to your mobile handset user guide for specific instruction.
- Ensure the headset is within a 10 meters range of your mobile handset(s) and there are no obstructions, such as walls or other electronic devices in between.

If the above steps do not solve your problem, please recharge the headset and remove your mobile handset battery for a short time.

If there is no reaction when pressing the buttons, press the Reset Key (fig.1) to return to factory default setting. The headset is turned on again and all pairings are cleared.

The i.Tech Clip S38 headset is compliant with and adopts the Bluetooth Specification 1.2. However, interoperability between the device and other Bluetooth-enabled products is not guaranteed because it depends on compatibility. For more information on the compatibility between the device and with other Bluetooth-enabled products, please check with the manufacturer or browse <http://www.itechdynamic.com>

Product Specifications

Bluetooth Specification:	Version 1.2 Class 2
Bluetooth Profile Supported:	Headset, Handsfree, A2DP
Range of Frequency:	2.4GHz Spectrum
Dimensions:	55 (L) x 24 (W) x 27 (H) mm
Nominal Charging Time:	Within 3 hours
Talk Time*:	Up to 6 hours
Music Playing Time*:	Up to 6 hours
Standby Time*:	Up to 150 hours
Weight:	20.1 grams

*may vary due to users' operation mode and mobile phone settings

Declaration of Conformity

We, i.Tech Dynamic Ltd., declare that the following product:

Product Name: i.Tech Clip S38
Model No.: C51-A05086-XX

Is in conformity with the following essential requirements of Council Directive 1999/5/EC(referred to as R&TTE Directive): Article 3.1a, 3.1.b and 3.2. and the product is manufactured in accordance with Annex II of above directive.

A copy of the Declaration of Conformity can be found at:

<http://www.itechdynamic.com>

Free Manuals Download Website

<http://myh66.com>

<http://usermanuals.us>

<http://www.somanuals.com>

<http://www.4manuals.cc>

<http://www.manual-lib.com>

<http://www.404manual.com>

<http://www.luxmanual.com>

<http://aubethermostatmanual.com>

Golf course search by state

<http://golfingnear.com>

Email search by domain

<http://emailbydomain.com>

Auto manuals search

<http://auto.somanuals.com>

TV manuals search

<http://tv.somanuals.com>