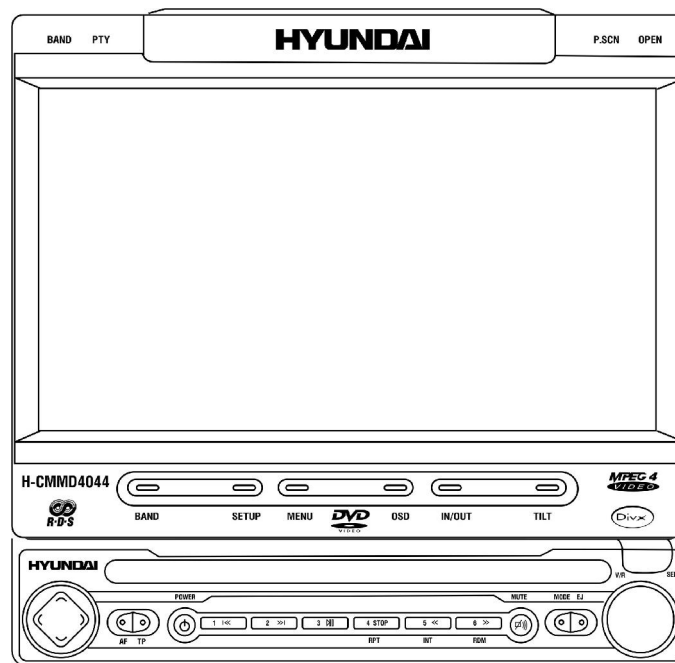
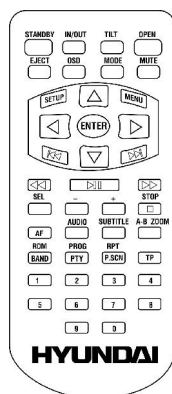


HYUNDAI

H-CMMD4044



MULTIMEDIA DVD-RECEIVER WITH MOTORIZED 7" TFT DISPLAY

Instruction manual

МУЛЬТИМЕДИЙНЫЙ DVD-РЕСИВЕР С 7" МОТОРИЗИРОВАННЫМ TFT ДИСПЛЕЕМ

Руководство по эксплуатации

Dear customer!

Thank you for purchasing our product. For safety, it is strongly recommended to read this manual carefully before connecting, operating and/or adjusting the product and keep the manual for reference in the future.

Table of contents

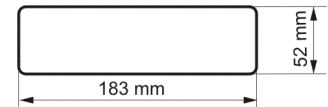
Table of contents	2
Important safeguards	3
Installation/ connection.....	4
Controls.....	7
Monitor operations	14
General operations.....	15
Digital tuner operations	18
Disc glossary	20
Disc operations	21
MP3 overview	27
System setup.....	29
Handling discs	34
Cleaning	34
Troubleshooting guide	35
Specification.....	37

Important safeguards

- Using the device at temperature below -10°C may cause the breakage of the device. **BEFORE USING PLEASE HEAT UP THE PASSENGER COMPARTMENT TO THE RECOMMENDED TEMPERATURE!**
- Read carefully through this manual to familiarize yourself with this high-quality sound system.
- Disconnect the vehicle's negative battery terminal while mounting and connecting the unit.
- When replacing the fuse, be sure to use one with an identical amperage rating. Using a fuse with a higher amperage rating may cause serious damage to the unit.
- Do not use the unit in places where it can be exposed to water, moisture and dust.
- **DO NOT** attempt to disassemble the unit. Laser beams from the optical pickup are dangerous to the eyes.
- Make sure that pins or other foreign objects do not get inside the unit; they may cause malfunctions, or create safety hazards such as electrical shock or laser beam exposure.
- If you have parked the car for a long time in hot or cold weather, wait until the temperature in the car becomes normal before operating the unit.
- **DO NOT** open covers and do not repair yourself. Consult the dealer or an experienced technician for help.
- Make sure you disconnect the power supply and aerial if you will not be using the system for a long period or during a thunderstorm.
- Make sure you disconnect the power supply if the system appears to be working incorrectly, is making an unusual sound, has a strange smell, has smoke emitting from it or liquids have got inside it. Have a qualified technician check the system.
- The unit is designed for negative terminal of the battery, which is connected to the vehicle metal. Please confirm it before installation.
- Do not allow the speaker wires to be shorted together when the unit is switched on. Otherwise it may overload or burn out the power amplifier.

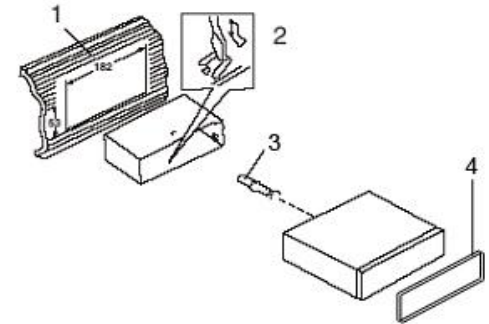
Installation/ connection

This unit can be installed in any dashboard having an opening as shown on the picture. The dashboard should be ~ 4.5 – 5.5 mm thick in order to be able to support the unit. First complete the electrical connections, and then check them for correctness.

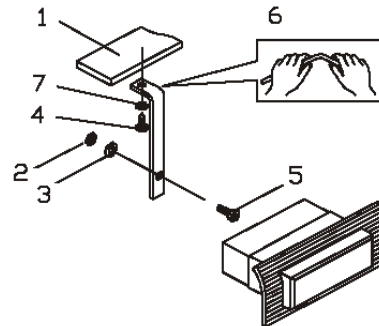


Installation opening

1. Insert the unit holder into the dashboard.
2. Select the appropriate tabs and bend them inwards to secure the holder in place.
3. Secure the rear of the unit. Fix the rear of the unit to the car body by rubber cushion.



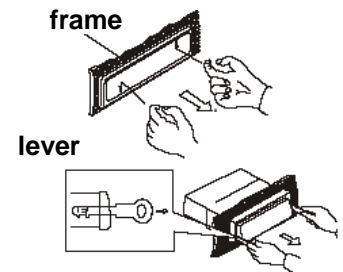
1. Dashboard
2. Nut (5 mm)
3. Spring washer
4. Screw (5 x 25 mm)
5. Screw
6. Strap
7. Plain washer



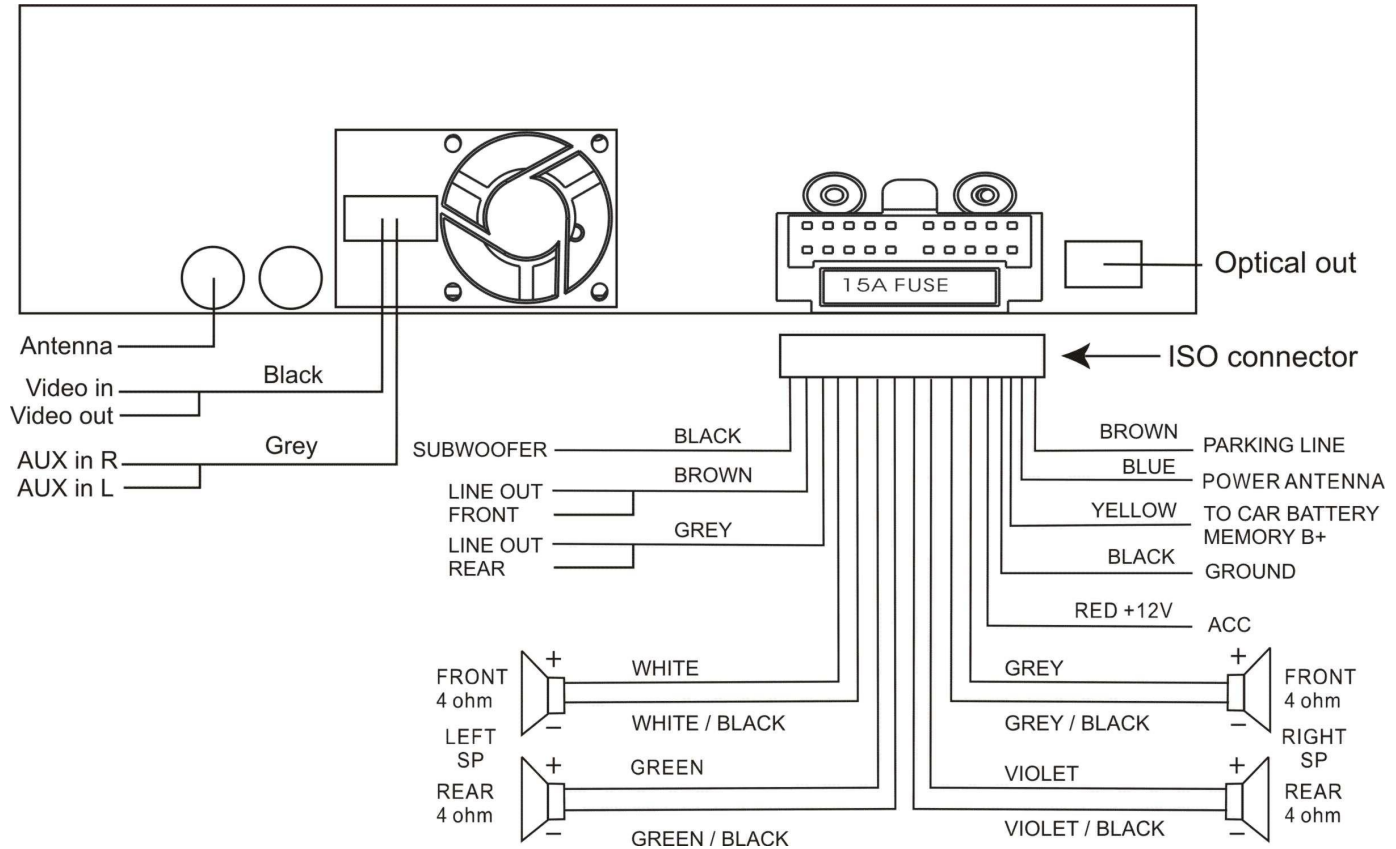
4. Insert frame.

Removing the unit

Insert fingers into the groove in the front of frame and pull out to remove the frame. (When reattaching the frame, point the side with a groove down wards and attach it.) Insert the levers supplied with the unit into the grooves at both sides of the unit as shown in figure until they click. Pulling the levers makes it possible to remove the unit from the dashboard.



Electrical connection

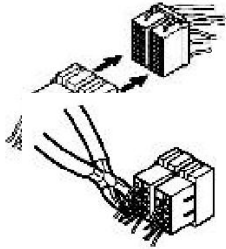


Note: For your driving safety, please link your parking wire with low power level, and keep it controlled by manual brake switch. Wire should be high power level and the unit cannot play video disc.

Caution: Do not interchange the connection of the wiring!!!

For some car models you may need to modify wiring of the supplied power cord. Contact your authorized car dealer before installing this unit.

Using the ISO Connector

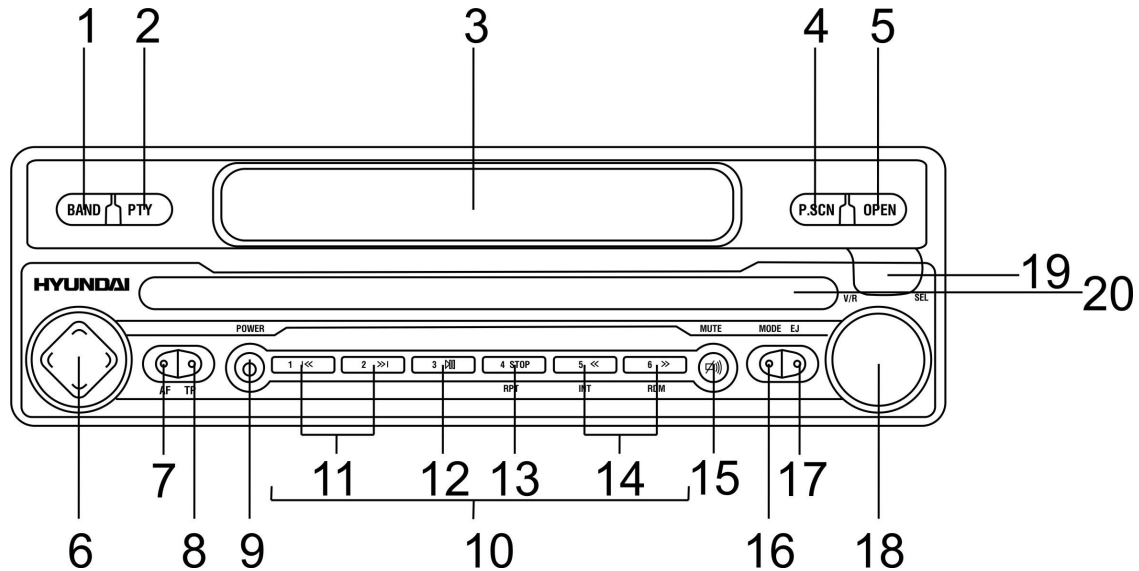


1. If your car is equipped with the ISO connector, then connect the ISO connectors as illustrated.
2. For connections without the ISO connectors, check the wiring in the vehicle carefully before connecting, incorrect connection may cause serious damage to this unit.
3. Cut the connector, connect the colored leads of the power cord to the car battery as shown in the color code table below for speaker and power cable connections.

Function			
N^o	Connector A	N^o	Connector B
4	Car battery memory B+ (Yellow)	1	Rear Right (+)---Violet
5	Power antenna (Blue)	2	Rear Right (-)---Violet/Black Stripe
7	Ignition key 12V (+) (Red)	3	Front Right(+)--Grey
8	Ground lead (Black)	4	Front Right (-)---Grey/Black Stripe
		5	Front Left(+)--White
		6	Front Left (-)---White/Black Stripe
		7	Rear Left(+)--Green
		8	Rear Left(-)---Green/Black Stripe

Controls

Front panel



1. BAND button

In Radio mode press it repeatedly to select your desired radio band.

2. PTY button

In Radio mode press it to activate the PTY function.

3. TFT display

4. P.SCN button

In Radio mode press it to scan all preset stations in the memory of the current band and stay on each memory stations for about 5 seconds.

Press it and hold for 2 seconds to enter auto store mode.

5. OPEN button
Press it to open the monitor.
6. Joystick with ▲/▼/◀/▶ buttons/ ENTER
Use the ▲/▼/◀/▶ buttons to select the menu item. Press ENTER to confirm.
Use the ▲/▼ buttons to select the title, track. Press ENTER to confirm.
Use the ◀/▶ buttons to show next frame.
In Radio mode use the joystick to start auto/manual searching. Press it again to stop searching.
7. AF button
In Radio mode press this button to activate the AF function.
Press it and hold for 2 seconds to activate the REG function.
8. TP button
In Radio mode press it to activate the TP function.
9. POWER button
Press any button to turn the power on, press the POWER button to turn the power off.
Press it and hold for 10 seconds to reset the unit.
10. Digit buttons
11. |<< / >>| buttons
Press them to go to previous/next track/chapter/title.
12. PLAY/PAUSE button
In DVD mode press it to start playback. Press during playback to pause it. Press again to resume.
13. STOP/ RPT button
Press it to stop playback.
Press and hold for 2 seconds the RPT button to start repeat playing.
14. << (INT)/ >> (RDM) buttons
During playback press the <</>> buttons to change fast previous/forward playing speed: X2, X4, X8, X16, X32.

Press and hold for 2 seconds the <</INT button to start intro playing (10 seconds).

Press and hold for 2 seconds the >>/RDM button to start random playing.

15. MUTE button

Press it to cut down the volume output, press it again to resume volume.

16. MODE button

Press it to select the mode: RADIO => DVD => AUX.

17. EJ button

Press it to eject the disc.

18. VOL knob/ SEL button

Rotate VOL knob clockwise to increase the volume level; rotate anticlockwise to decrease the volume level.

Press SEL button repeatedly to select the audio modes: BASS => TREBLE => BALANCE L-R => FADER R-F => BRIGHT => CONTRAST => COLOR => SHARP.

Rotate VOL knob to adjust the mode.

Press and hold for 2 seconds the SEL button to select the modes: LOC => LOUD => K.MONO => TIME => TA VOL => EON.

Rotate VOL knob to adjust the mode.

19. Infra red sensor

20. Disc slot

Monitor

1. BAND button
2. PTY button
4. P.SCN button
5. OPEN button
21. LCD monitor

22. BAND button

In Radio mode press it repeatedly to select your desired radio band during.

23. SETUP button

In DVD mode press it to open the setup menu.

24. MENU button

In DVD mode press this button to show the disc menu.

25. OSD button

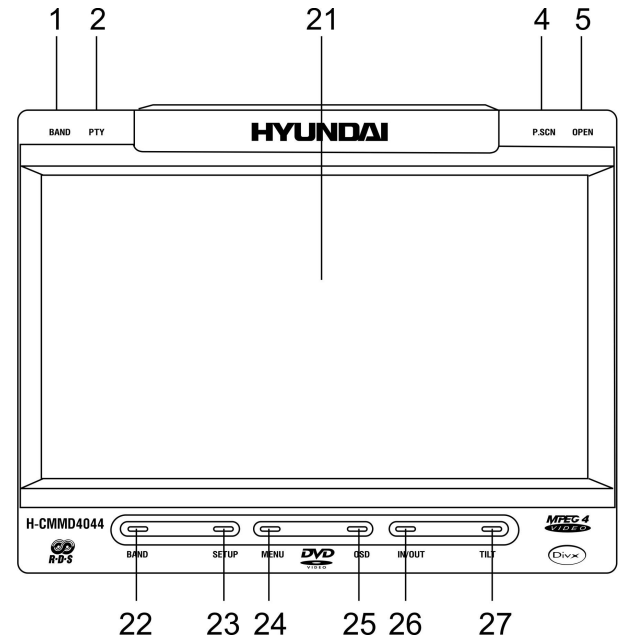
Press it to show the menu on display.

26. IN/OUT button

Press it to select the monitor horizontal position.

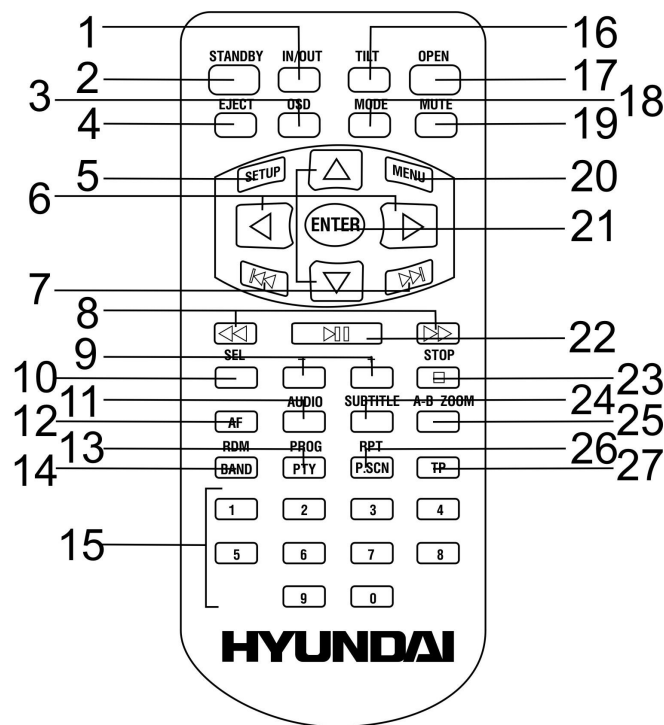
27. TILT

Press it to adjust monitor tilt angle. You can set tilt adjustment angle from 3 level to 5 levels.



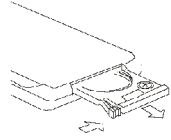
Remote control

1. IN/OUT button
Press it to select the monitor horizontal position.
2. STANDBY button – press it to turn the power on/off.
3. OSD button - Press it to show the menu on display.
4. EJECT button - press it to eject the disc.
5. SETUP button – in DVD mode press it to open the setup menu.
6. Cursor ▲/▼/◀/▶ buttons
Use the ▲/▼/◀/▶ buttons to select the menu item.
Use the ▲/▼ buttons to select the title, track.
Use the ◀/▶ buttons to show next frame; to start manual/automatic radio station search.
7. ◀◀/▶▶ buttons - press them to go to previous/next track/chapter/title.
8. ◀◀/▶▶ buttons - during playback press them to start fast previous/forward playing.
9. +/- buttons – when the monitor is opened press these buttons to adjust volume level.
10. SEL button - press it repeatedly to select the audio modes: BASS => TREBLE => BALANCE L-R => FADER R-F => BRIGHT => CONTRAST => COLOR => SHARP.
11. AUDIO button – in DVD mode press it to select the audio language.
In VCD mode press it to select the channel: Mono left => Mono right => Mix mono => Stereo.
12. AF button – in Radio mode press it to activate the AF function.
13. PROG/PTY button – press this button to enter the title/chapter search function.
In Radio mode press it to activate the PTY function.

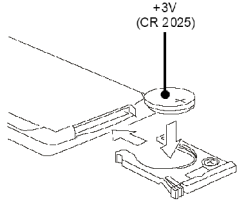


14. RDM/BAND button – in DVD mode press it to start random playing.
In Radio mode press it to select the desired band.
15. Digit area
16. TILT button - press it to adjust monitor tilt angle. You can set tilt adjustment angle from 3 level to 5 levels.
17. OPEN button - press it to open the monitor.
18. MODE button - press it to select the mode: RADIO => DVD => AUX.
19. MUTE button - press it to cut down the volume output, press it again to resume volume.
20. MENU button – in DVD mode press this button to show the disc menu.
21. ENTER button – press it to confirm setting.
22. PLAY/PAUSE button - in DVD mode press it to start playback.
Press during playback to pause it. Press again to resume.
23. STOP button - press it to stop playback.
24. SUBTITLE button – press it to select the subtitle language.
25. A-B/ ZOOM button - press it to start repeating of the A-B fragment.
Press it and hold for 2 seconds to zoom the image in or out.
26. RPT/P.SCN button - in DVD mode press it to start repeat playing.
In Radio mode press it to scan all preset stations in the memory of the current band and stay on each memory stations for about 5 seconds.
27. TP button
Press it to activate the TP function.

Changing the battery



1. Press the catch and at the same time pull out the battery tray.



2. Insert the 1 x lithium battery, type CR 2025 3V battery with the stamped (+) mark facing upward. Insert the battery tray into the remote control.

Warning: Store the battery where children cannot reach. If a child accidentally swallows the battery, consult a doctor immediately.

Do not recharge, short, disassemble or heat the battery or dispose it in a fire.

Do not expose or bring into contact the battery with other metallic materials. Doing this may cause the battery to give off heat, crack or start a fire.

When throwing away or saving the battery, wrap it in tape and insulate; otherwise, the battery may give off heat, crack or start a fire.

Monitor operations

Open/close the monitor

Press the OPEN button to open the monitor to the last viewing position. Press it again to load the monitor into the unit.

Monitor auto close

To set the monitor auto close function on press the OSD button, press the ▼/◀ cursor buttons to select SYSTEM => TILT.

In TILT setting set the monitor working mode when the unit is off:

AUTO: when the unit is off the monitor draws down into the unit automatically.

MANUAL: when the unit is off the monitor stays in the vertical position and draws down only when the power is on and the OPEN button is pressed.

Monitor tilt angle adjustment

You can get different vision effects watching from different angles of monitor.

To adjust the monitor angle step by step press the TILT button.

OR to set the tilt angle press the OSD button, press the ▼/◀ cursor buttons to select SYSTEM => TILT RANGE. Select the level: 1-3, 1-4, 1-5, Auto.

Monitor horizontal position

Press the IN/OUT button to select the monitor horizontal position level.

OR to set the monitor horizontal position press the OSD button, press the ▼/◀ cursor buttons to select SYSTEM => IN/OUT FIX. Set 3 level, 4 level, Auto (5 level).

General operations

Reset the unit

Operating the unit for the first time or after replacing the car battery, you must reset the unit.

Press the POWER button on the panel and hold it for about 10 seconds to restore the unit to the original factory settings.

Power on/off

Press any button on the panel or the STANDBY button on the RC to turn the unit on. Press the POWER button on the panel or the STANDBY button on the RC to turn the unit off.

Note: After the unit is off, the volume level and radio current settings will be memorized, and when you turn the unit on it will resume the stored status that you set.

Volume control

Rotate the VOL knob on the panel clockwise or when the monitor is opened press the + button on the RC to increase the volume level.

Rotate the VOL knob on the panel anticlockwise or when the monitor is opened press the – button on the RC to decrease the volume level.

Mute function

Press the MUTE button to mute volume control. Press it again or press the +/- buttons on the RC or rotate the VOL knob on the panel to resume the volume.

Setting the audio and video characteristics

Press SEL button repeatedly to select the audio modes: BASS => TREBLE => BALANCE L-R => FADER R-F => BRIGHT => CONTRAST => COLOR => SHARP.

Rotate VOL knob or press the +/- buttons on the RC to adjust the mode. Press ENTER/joystick to confirm and return to the modes list or wait for 5 seconds to return to normal mode.

OR to adjust the Bass, Treble, Balance, Fader, Bright, Contrast, Color, Sharpness please press the OSD button and refer to AUDIO MENU and VIDEO MENU.

Adjusting the Local, Loud, Stereo, TA, EON settings and time

Press and hold for 2 seconds the SEL button on the panel, press the SEL button shortly and repeatedly to select the modes: LOC => LOUD => K.MONO => TIME => TA VOL => EON.

- LOCAL: in RADIO mode rotate VOL knob or press the +/- buttons on the RC to select LOC ON (local) or LOC OFF (distant). Press ENTER/joystick to confirm and return to the modes list. To exit the list and return to normal mode wait for 5 seconds.
- LOUD: in DVD or RADIO mode rotate VOL knob or press the +/- buttons on the RC to select LOUD ON or LOUD OFF. Press ENTER/joystick to confirm and return to the modes list. To exit the list and return to normal mode wait for 5 seconds.
- K.MONO: in RADIO mode rotate VOL knob or press the +/- buttons on the RC to select STEREO or MONO. Press ENTER/joystick to confirm and return to the modes list. To exit the list and return to normal mode wait for 5 seconds.
- TIME: in DVD or RADIO mode rotate the VOL knob or press the + button on the RC clockwise to set hour, rotate anti-clockwise or press the - button on the RC to set minutes. Press ENTER/joystick to confirm and return to the modes list. To exit the list and return to normal mode wait for 5 seconds.

- TA VOL: in DVD or RADIO mode rotate VOL knob or press the +/- buttons on the RC to select the TA volume level (16-42). Press ENTER/joystick to confirm and return to the modes list. To exit the list and return to normal mode wait for 5 seconds.
- EON: in DVD or RADIO mode rotate VOL knob or press the +/- buttons on the RC to select EON ON or EON OFF. Press ENTER/joystick to confirm and return to the modes list. To exit the list and return to normal mode wait for 5 seconds.

Note:

- If turning off the power all the settings of each mode will be saved.
- If turning off the ACC power all the settings will become as they were set on the plant as current.

Press the MODE button to select the mode: RADIO => DVD => AUX.

Using the digit buttons

To insert any number use the digit buttons.

To insert the 2-digit number use the digital buttons in sequence. For example, to insert number 14 press 1 => 4.

Digital tuner operations

Note: RDS (Radio Data System) service availability varies with areas. Please understand if RDS service is not available in your area, the following service is not available, either.

Band selection

Press the MODE button to select RADIO mode.

Press the BAND button on the panel or RDM/BAND button on the RC to select: FM1, FM2, FM3, AM1, AM2. Display will show the wave band, frequency and preset station number if already stored.

Automatic/ Manual tuning

- **Automatic tuning:** Press the ◀/▶ buttons, the automatic search will start. It will play when it finds the station. Press and hold for 2 seconds the 1-6 preset buttons to store the station found.
- **Manual tuning:** Press and hold for 2 seconds the ◀/▶ buttons, press the ◀/▶ buttons to search the stations step by step. Press and hold for 2 seconds the 1-6 preset buttons to store the station found.

Programming tuner stations

You can store up to a total of 30 radio stations in the memory (18 FM, 12 AM), manually or automatically.

- To store a station:
 - Select a band (if needed).
 - Select a station by ◀/▶ or digit buttons.
 - Hold a preset button (1-6) which you want to store the station for at least 2 seconds.
- To recall a station:
 - Select a band (if needed).
 - Press a preset button (1-6) briefly to recall the stored station.

Preset scan function

- **Preset scan:** Press the P.SCN button on the panel or press and hold for 2 seconds the RPT/P.SCN button on the RC to scan all preset stations in the memory of the current band and stay on each memory stations for about 5 seconds. To stop preset scan, press this button again.
- **Auto memory store:** Press the P.SCN button on the panel and hold for 2 seconds to enter auto store mode. The radio will automatically store the 6 strongest available stations to the 6 preset memories of the current band. To stop auto store, press this button again.

AF (Alternative Frequencies) function

When the radio signal strength is poor, enabling the AF function will allow the unit to automatically search another station with the same PI (Program Identification) as the current station but with stronger signal strength.

PS (Program Service name): the name of station will be display instead of frequency.

1. Press the AF button shortly to turn ON or turn OFF the AF function.
AF ON indicator on display will flash until RDS information is received.
2. If RDS service is not available in your area, turn off the AF mode.
Default setting is ON.

TP function

Press the TP button to turn ON or OFF the TP function.

PTY (Program Type)

1. Press the PTY button on the monitor or PROG/PTY button on the RC to activate the PTY function.
2. Press and hold for 2 seconds the PTY button on the monitor.
3. Press the ◀/▶ cursor buttons or rotate the VOL knob on the panel to select the program type (1-31).
4. Press the SEL button (VOL knob) to confirm setting and start searching the PTY.

Disc glossary

PBC (PlayBack Control)

PBC is a menu recorded on the disc with SVCD or VCD2.0 format. For the discs contained PBC, it can playback interactive software with the menu displayed on TV. And if the disc contains still images, it can playback high definition of still image.

Title

The title is the important part of DVD disc. The memory volume of the disc is rather big, that makes possible to record several films on one disc. For example, if a disc contains three films, they may be divided into Title 1, Title 2 and Title 3. You can easy use the functions of looking-for.

Chapter

A title can be divided into several blocks, so that every block can be operated as a unit, the unit is called chapter. The chapter contains a unit at least.

Track

It is the biggest component of VCD. Generally, every song of karaoke disc is a track.

Disc operations

Discs for playback

- This unit can play disc types: CD/DVD/DVD±R/±RW/CD-R/-RW/CDDA.
- Compatible with formats: DVD-video/SVCD/VCD/HDCD/MP3/MP4/WMA/JPEG/DivX/MPEG4.
- The following file types are supported:
 - Audio files: MP3 (*.mp3)
WMA (*.wma)
 - Video files: MP4 (*.avi, DIVX3.11/4.0/5.0/6.0 and XVID)
MPEG 2 (*.vob)
MPEG 1 (*.dat)
 - Picture file: JPEG (*.jpg)
- ISO 9660 or ISO 9660 +Joliet format - Max. 30 characters
- Max. Track number is 448
- Max. nested directory is 8 levels
- The max. album number is 99
- The max. length of each track is 99 minutes 59 seconds
- Supported sampling frequency for MP3 disc: 8 KHz – 48 KHz (44.1 KHz preferably)
- Supported bit-rates of MP3 disc are: 32 - 320 kbps (128 kbps preferably).
- Following formats are NOT supported *.ACC, *.DLF, *.M3U, *.PLS, MP3 PRO, files with DRM.
- Open session discs are NOT supported.

Loading a disc

1. Turn the power on.
2. Insert the disc with the printed side facing upward into the slot. The DVD mode will be turned on automatically. The monitor will show the disc content.
3. Press EJ button on the panel to eject the disc.

Playing/ pausing

To ensure good system performance, wait until the unit finishes reading the disc information before proceeding. After inserting the disc playback will start automatically. Or press the PLAY/ PAUSE button to start playback. Press again to go into pause mode. In pause mode press it again to resume the playback.

Stop

During playback press the STOP/RPT button on the panel or STOP button on the RC. Playback will be stopped. Press the PLAY/ PAUSE button to start playback.

If the PLAY/ PAUSE button is pressed, playback will start from the position at which it was stopped. If the disc is removed, the resume function is cancelled.

Press the STOP/RPT button again to finally stop the playback.

Playing the previous/ next track

1. During playback press the |<</>>| buttons on the panel or the ◀▶ buttons on the RC to start previous or next track/title playback.
2. Press the digital buttons (1-9, 0) buttons to enter the desired track/title number.

Fast forward and backward playback

Press the <</>> buttons on the panel or the ◀/▶ buttons on the RC to select the speed of fast playing in backward or forward direction: X2, X4, X8, X16, X32. Press the PLAY/PAUSE button to return to normal playback.

Note: During the disc playback when fast scanning playback gets to the beginning of the playing another track, it resumes normal playback.

Repeat playback

During playback press and hold for 2 seconds the STOP/RPT button on the panel or press the RPT/P.SCN button on the RC repeatedly to select the repeat playback mode:

For DVD: Repeat chapter => Repeat title => Repeat all.

For CD: Repeat one => Repeat all => Repeat off.

For MP3: Repeat one => Repeat folder => Repeat off.

Repeat A-B function (for DVD/CD/VCD discs)

1. During playback, press the A-B/ZOOM button on the RC at the starting point of section you want to repeat (A).
2. Press the A-B/ZOOM again at the ending point of the section you want to repeat (B). Section A-B repeating starts.
3. Press it again to cancel the A-B repeat function.

Random playback

During disc playback press and hold for 2 seconds the ■ / RDM button on the panel or press the RDM/BAND button on the RC repeatedly to select start random playback. Press again to cancel.

Intro playback

You can play the beginning of every track for 10 seconds in sequence. Press and hold for 2 seconds the <</INT button on the panel to start intro play. Press again to cancel.

Disc menu navigation (for DVD only)

1. Press MENU button to open the disc menu.
2. Press the cursor buttons to select the desired item.
3. Press the joystick or PLAY/PAUSE button to start playback of the item selected.

Programming the playback

1. Press the PROG/PTY button on RC to enable the program function.
2. Press the digital buttons to insert the desired title/track into the first position selected.
3. Press the cursor ▲/▼/◀/▶ buttons to select the next position (1-20).
4. Repeat step (2).
5. To start the programmed play list playing press the cursor ▲/▼/◀/▶ buttons and select START.
6. To exit the menu press the cursor ▲/▼/◀/▶ buttons and select EXIT.

On-screen display (OSD)

1. Press the OSD button to show the menus list: Source menu, Audio menu, Video menu, Screen menu, System menu.
2. Use the ▲/▼ buttons on the panel or RC to select the desired menu.
3. Press the ◀ button on the panel or RC to enter the selected menu.
4. Use the ▲/▼ buttons to select the desired setting.
5. Press the ENTER/joystick button to activate the setting adjustment.
6. Press the ◀/▶ buttons to adjust the setting.

7. Press the ENTER/joystick button again to confirm.
8. Press the ► button to return to menus list.
9. In the menus list press ENTER/joystick to close them.

Source menu

Select the source:

- TUNER,
- DVD,
- TV (option),
- CDC (option, when CD changer is connected),
- AUX.

Audio menu

- Bass
- Treble
- Balance
- Fad
- Sub woofer (On/Off)
- Beep sound (On/Off)
- Start volume (select the starting volume level). Default: 20.

Video menu

- Bright
- Contrast
- Color
- Sharpness.

Screen menu

- Picture (select the screen picture position: Normal, Upside-down),
- Full (select the screen mode),

- Normal (return to normal screen mode).

System menu

- Tilt (select Auto or Manual monitor closing),
- In/out fix (select monitor horizontal position: Level none: can be moved from position 1 to 3; Level 1: fixed 1 position; Level 2: fixed 2 positions; Level 3: fixed 3 positions),
- Tilt range (adjust the monitor angle: Auto: 5 steps can be changed; 3 level: monitor has 3 tilt angles, 4 level: monitor has 4 tilt angles, 5 level: monitor has 5 tilt angles),
- Back light (set the backlight brightness level).

Selecting audio languages

During DVD disc playback press AUDIO button on RC repeatedly to select the audio language to listen (if the disc supports multi-language mode).

Selecting the channel

During VCD disc playback press the AUDIO button to select the channel: Mono left => Mono right => Mix mono => Stereo.

Selecting subtitle languages

Subtitle language is in disc initiation setting during playback. Press the SUBTITLE button on the RC repeatedly to switch among disc-supported languages.

Changing size

During playback press and hold for 2 seconds the A-B/ZOOM button on the RC. The picture will be enlarged accordingly: X2, X3, X4, X1/2, X1/3, X1/4, Normal.

MP3 overview

Notes on MP3:

- MP3 is short for MPEG Audio Layer 3 and refers to an audio compression technology standard.
- This product allows playback of MP3 files on CD-ROM, CD-R or CD-RW discs.
- The unit can read MP3 files written in the format compliant with ISO 9660. However it does not support the MP3 data written by the method of packet write.
- The unit can not read an MP3 file that has a file extension other than “.mp3”.
- If you play a non- MP3 file that has the “.mp3” extension, you may hear some noise.
- In this manual, we refer to what are called “MP3 file” and “folder” in PC terminology as “track” and “album”, respectively.
- Maximum number of directory level is 8, including the root directory. Maximum number of files and folders per disc is 448.
- The unit may not play tracks in the order of Track numbers.
- The unit plays only the audio tracks if a disc contains both audio tracks and MP3 files.
- When playing a disc of 8 kbps or “VBR”, the elapsed playing time in the display window will not be correct and also the intro play may not function properly. “VBR”: Variable Bit Rate.

Notes on creating your own CD-R or CD-RW containing MP3 files:

- To enjoy high quality sound, we recommend converting to MP3 files with a sampling frequency of 44.1 kHz and a fixed bit rate of 128 kbps.
- DO NOT store more than 448 MP3 files per disc.
- For ISO 9660 - compliant format, the maximum allowable depth of nested folders is 8, including the root directory (folder).
- When CD-R disc is used, playback is possible only for discs, which have been finalized.
- Make sure that when MP3 CD-R or CD-RW is burned that it is formatted as a data disc and NOT as an audio disc.
- You should not write non-MP3 files or unneeded folders along with MP3 files on the disc otherwise it takes a long time until the unit starts to play MP3 files.
- With some CD-R or CD-RW media, data may not be properly written depending on its manufacturing quality. In this case, data may not be reproduced correctly. High quality CD-R or CD-RW disc is recommended.
- Up to 16 characters are displayed for the name of an Album or a Track. ID3TAG version 1.x is required.
- Note that the unit may not play Tracks in the order that you wrote them to the disc.

System setup

1. Press the SETUP button to display the setup screen.
2. Use the ◀/▶ cursor buttons to select the desired menu: General setup, Audio setup, Video setup, Preference setup, Password, Exit the menu.
3. Press ▼ to enter it.
4. Use the ▲/▼ cursor buttons to select the desired setting.
5. Press ▶ to enter the setting adjustment window.
6. Press the ▲/▼ cursor buttons to select the option of the setting and press ENTER/joystick to confirm it.
7. Press the ◀ cursor button to return to horizontal menu list.

General setup page

- **TV DISPLAY**

Normal/PS: When the unit connects to the normal TV set, the wide-screen image shows on the full screen, but some part is cut off.

Normal/LB: When the unit connects to the normal TV set, the wide-screen image shows and black bars appear on the top and bottom of screen.

Wide: Use this item when the unit is connected with the wide screen TV set.

- **ANGLE MARK**

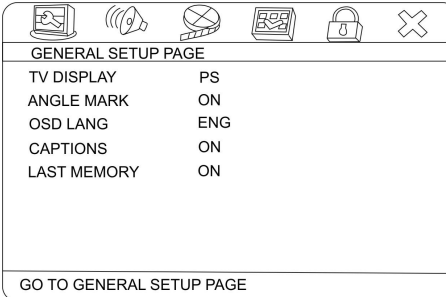
It will show the ANGLE mark when playing DVD disc with multi-angle view if selecting ON

- **OSD LANGUAGE**

Select on-screen display language

- **CAPTIONS**

This function doesn't work when the disc is without caption. If the caption is OFF, press SUBTITLE key on the RC to make caption on. The default setup is ON.



GENERAL SETUP PAGE	
TV DISPLAY	PS
ANGLE MARK	ON
OSD LANG	ENG
CAPTIONS	ON
LAST MEMORY	ON
GO TO GENERAL SETUP PAGE	

- **LAST MEMORY**

When this function is on, the unit can memorize the time elapsed from the last time you played the disc. Then at the next playing, it will resume playing from the memorized time.

Audio setup page

- **SPEAKER SETUP**

- **DOWNMIX**

LT/RT: The audio out is Left and Right channels format even if the original sound is 5.1 CH format.

Stereo: The audio out format is stereo even if the original sound is 5.1 CH format.

V surr: The audio out is virtual surround sounds (only for 5.1 CH player)

- **SPDIF SETUP**

- **SPDIF OUTPUT**

SPDIF OFF: no digital signal out (optical or coaxial output off), only analog audio output.

SPDIF/RAW: digital signal output in the original format recorded in the disc.

SPDIF/PCM: digital signal output in the decoded PCM form.

- **DOLBY DIGITAL SETUP**

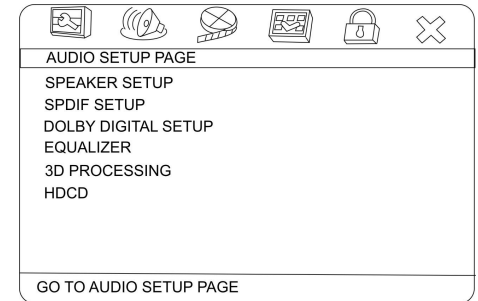
- **DUAL MONO**

Stereo: stereo output signal,

L-Mono: left output signal,

R-Mono: right output signal,

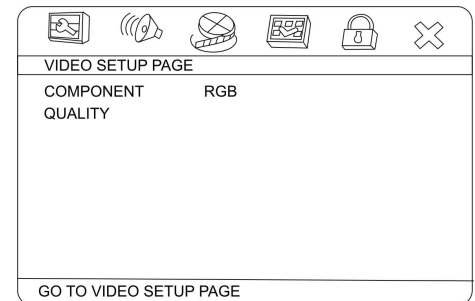
Mix-Mono: left and right output average signal.



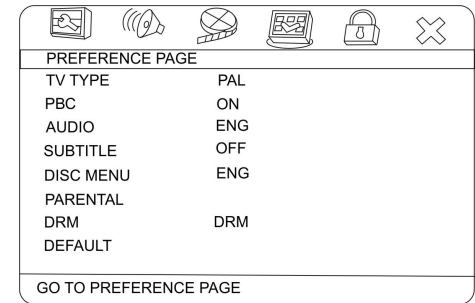
- **DYNAMIC**
If watching large dynamic scope movie program at night, to select this mode you can reduce the volume to a very low level, at the same time, to keep the fine details sounds. In this case, this doesn't disturb the family and keep the quality sounds.
- **EQUALIZER**
 - **EQ TYPE**
8 EQ modes are available. You can select one according to your preference and the disc content
 - **BASS BOOST, SUPER BASS, TREBLE BOOST**
On means strengthen the corresponding audio.
- **3D PROCESSING**
 - **REVERB MODE**
You can select the Reverb mode: Off, Concert, Living room, Hall, Bathroom, Cave, Arena, Church.
- **HDCD**
 - **FILTER**
You can select the digital filter Off, 1x, 2x. The initial factory setup is Off.

Video setup page

- **COMPONENT**
Off: video signal is not output.
YUV: set video output in analog component video format when connecting to Y/U/V terminals
RGB: set video output in Red/Green/Blue format when connecting to SCART terminals.
- **QUALITY**
 - **COLOR, BRIGHTNESS, CONTRAST, GAMMA, HUE, SATURATION, LUMA DELAY**
You can set the color settings according to your preference.



Preference page



- **TV TYPE**

This unit is suitable for all kinds of TV systems. You can select one of the PAL, NTSC or Multi.

Multi: the TV system is auto switched according to the disc system.

NTSC: this system is used in USA, Taiwan, Japan etc.

PAL: this system is used in China, Europe, Hong Kong etc.

- **PBC**

To set PBC with On, Off. PBC On means the function is available, Off, no function.

- **AUDIO, SUBTITLE, DISC MENU language setup**

These are the initial settings by your preference. If a setting is supported by disc content, it will work. Otherwise the disc default value works. And these settings can be changed respectively by pressing the AUDIO and SUBTITLE keys when playing.

- **PARENTAL**

The control level is for parental to control playing content and protect your children from violence and erotic. The disc, the level of which is higher than the setting level cannot be played.

- **DRM**

Using this item you can find out the special DivX code for this model to be able to download the films with DivX.

- **DEFAULT**

Reset to the initial factory setups

Password setup page

- **PASSWORD MODE**

Set the password function to On or Off.

On: the parental control can be changed in the PARENTAL submenu (Preference page).

Off: you cannot change the parental control in Parental submenu.

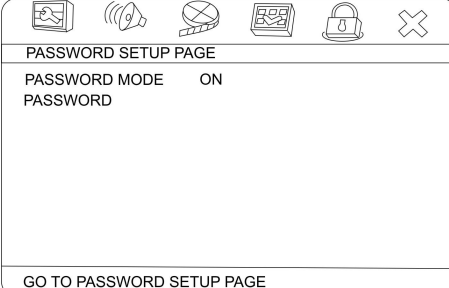
- **PASSWORD**

When the password mode is ON you can change the password. Select PASSWORD => CHANGE. Use the cursor buttons to select the desired field. In the OLD PASSWORD field insert the old password or 8806 (if you forget the old one).

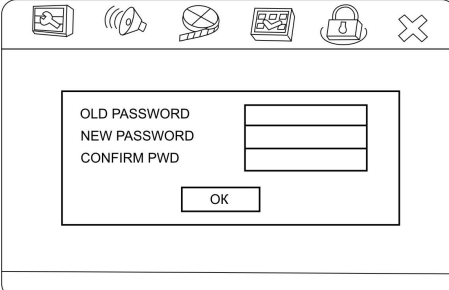
In NEW PASSWORD field insert the new password.

Insert it again in CONFIRM PWD field.

Press OK to save the new password.



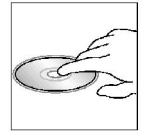
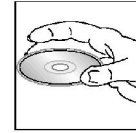
The screenshot shows a menu screen titled "PASSWORD SETUP PAGE". At the top, there is a navigation bar with icons for Home, Back, Forward, Parental Control, Lock, and Exit. Below the title, the screen displays "PASSWORD MODE ON" and "PASSWORD". At the bottom, there is a button labeled "GO TO PASSWORD SETUP PAGE".



The screenshot shows a screen for changing the password. At the top, there is a navigation bar with icons for Home, Back, Forward, Parental Control, Lock, and Exit. Below the navigation bar, there are three input fields labeled "OLD PASSWORD", "NEW PASSWORD", and "CONFIRM PWD". Below these fields is an "OK" button.

Handling discs

- Dirty, scratched or warped discs may cause skip ping or noise.
- Handle the disc only by the edges. To keep clean do not touch its surface.
- Discs should be stored in their cases after use to avoid scratches.
- Do not expose discs to direct sunlight, high humidity, high temperature or dust.
- Prolonged exposure to extreme temperature can warp the disc (such as leaving the discs in your car during summertime).
- Do not stick or write anything on either side of disc. Sharp writing instruments, or the inks used in some felt-tip pens, may damage its surface.
- DO NOT touch the unlabeled side. DO NOT attach any seal, label or data protection sheet to either side of a disc.



Cleaning

Cleaning the cabinet and panel

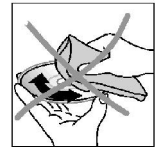
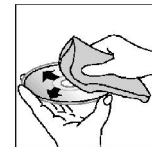
Wipe with a soft cloth. If the cabinet is very dampen (not dropping wet) the cloth with a weak solution of soapy water, and then wipe clean.

If the control panel is dirty, wipe off the dirt with soft, dry cloth only. And use a cotton swab soaked in isopropyl alcohol to clean the socket on the back of the control panel.

Cleaning discs

Fingerprints should be carefully wiped from the surface of disc with a soft cloth. Unlike conventional records, compact discs have no grooves to collect dust and macroscopic dirt, so gently wiping them with a soft cloth should remove most particles. Wipe in a straight motion from the center to the edge.

Never use thinner benzine, record cleaner or anti static spray on a compact disc. Such chemicals can damage its plastic surface.



Troubleshooting guide

Symptom	Cause	Solution
General No power	The car ignition is not on. The fuse is blown.	If the power supply is properly connected to the car accessory switch the ignition key to "ACC". Replace the fuse.
Disc Disc cannot be loaded.	Presence of disc inside the player.	Remove the disc in the player then put a new upward.
Disc cannot be read.	Inserting the disc in upside down. Compact disc is extremely dirty or defective. Temperature inside the car is too high.	Insert the compact disc with the label facing upward. Clean the disc or try to play a new one. Cool off until the ambient temperature returns to normal.
No sound	Volume is in minimum. Wiring is not properly connected.	Adjust volume to a desired level. Check wiring connection.
The operation keys do not work.	The built-in microcomputer is not operating properly due to noise. Front panel is not properly fix into its place.	Press the power button for about 10 seconds to reset the unit
Sound skips.	The installation angle is more than 30 degrees. The disc is extremely dirty or defective.	Adjust the installation angle to less than 30 degrees. Clean the compact disc/try to play a new one.

<p>The radio does not work, the radio station automatic selection does not work.</p>	<p>The antenna cable is not connected the signals are too weak.</p>	<p>Insert the antenna cable firmly select a station manually.</p>
--	---	---

Specification

General	
Power supply:	12 V DC
Current consumption:	max. 10 A
Maximum power output:	50 W x 4 channels
Compatible formats:	DVD/DVD±R/±RW/CD-R/-RW/SVCD/VCD/HDCD/CD/MP3/MP4/ WMA/CDDA/JPEG playback/DivX/MPEG4
Dimensions (L x W x H) / weight:	178 x 50 x 190 mm / 2.5 kg
Working temperature range:	-10°C - +60°C
ESP function:	40 sec. for Audio CD, 120 sec. for MP3
TFT display	
Screen size:	7 inches
Resolution:	480 x 234 dpi
Aspect ratio:	16:9
Contrast ratio:	300:1
Brightness:	500 cd/m ²
Color system	PAL/NTSC
FM Stereo Radio	
Frequency range:	87.5 – 108.0 MHz
Usable sensitivity:	6 uV
Preset memory stations:	18
AM section	
Frequency range:	522 kHz - 1620 kHz
Preset memory stations:	12

Audio specification	
Maximum output:	2 Vrms (+/- 3 dB)
Frequency response:	20 Hz - 20 KHz
S/N ratio(A-vtd):	90 dB
Separation	80 dB
Line out	
Output:	CD max 2000 mV

Specifications are subject to change without notice.

Mass and dimension are approximate.

Уважаемый покупатель!

Благодарим Вас за покупку нашего изделия. Для обеспечения безопасности рекомендуется тщательно изучить настоящее руководство перед подключением, эксплуатацией и/или регулировкой изделия, и сохраняйте руководство для использования в будущем.

Содержание

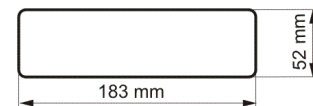
Содержание.....	39
Меры предосторожности.....	40
Установка/ подключение.....	41
Органы управления	45
Операции с монитором.....	52
Основные операции.....	53
Цифровой тюнер.....	56
Используемая терминология.....	58
Воспроизведение дисков.....	59
Обзор MP3	66
Настройки системы	68
Обращение с дисками.....	74
Чистка и уход.....	75
Руководство по устранению неисправностей.....	76
Технические характеристики	77

Меры предосторожности

- Использование данного устройства при температуре ниже -10°C может привести к поломке. ПЕРЕД ИСПОЛЬЗОВАНИЕМ ПРЕДВАРИТЕЛЬНО ПРОГРЕЙТЕ САЛОН АВТОМОБИЛЯ ДО РЕКОМЕНДОВАННОЙ ТЕМПЕРАТУРЫ!
- Тщательно изучите настоящую инструкцию, чтобы ознакомиться с аудиосистемой.
- При установке и подключении изделия отключите отрицательную клемму аккумулятора автомобиля.
- При замене предохранителя, убедитесь, что вы устанавливаете предохранитель с тем же номиналом. Используя предохранитель с повышенным значением тока, можно причинить значительные повреждения изделию.
- Не пытайтесь разбирать изделие. Лазерные лучи, исходящие из блока оптической головки считывания информации с компакт-диска, опасны для глаз.
- Не используйте устройство в местах, где оно может подвергнуться воздействию воды, влаги и пыли.
- Убедитесь, что посторонние предметы не попали внутрь изделия. Они могут вызвать сбой в работе или стать причиной опасности, такой, как поражение электрическим током или лазерным лучом.
- Если вы ставите автомобиль на стоянку на длительное время в жаркое или холодное время года, подождите, пока температура в автомобиле не станет нормальной, перед тем как включать изделие.
- НЕ открывайте крышки и не проводите ремонт самостоятельно. Обратитесь к дилеру или квалифицированному персоналу
- Убедитесь, что устройство отключено от питания во время грозы или если Вы намерены не использовать его в течение долгого времени.
- Убедитесь, что питание устройства отключено, если обнаружена неправильная работа системы, система издает необычные звуки, запах, выделяет дым или внутрь ее попала жидкость. Проведите квалифицированный технический осмотр системы.
- Изделие разработано так, чтобы отрицательный вывод аккумулятора был подключен к корпусу транспортного средства. Пожалуйста, убедитесь в этом перед установкой.
- Не позволяйте проводам динамиков касаться друг друга или металлических поверхностей автомобиля при включении изделия. В противном случае, усилитель мощности может выйти из строя.

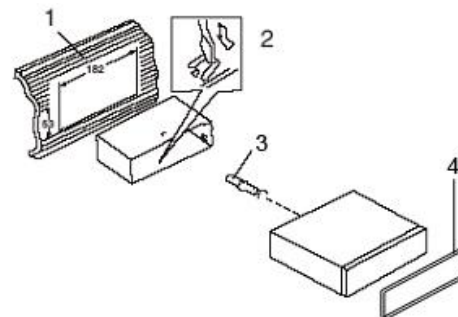
Установка/ подключение

Данное изделие может быть установлено в приборную панель, имеющую отверстие с размерами, указанными ниже. Передняя панель должна иметь толщину 4,75 – 5,56 мм, чтобы быть способной надежно удерживать изделие.



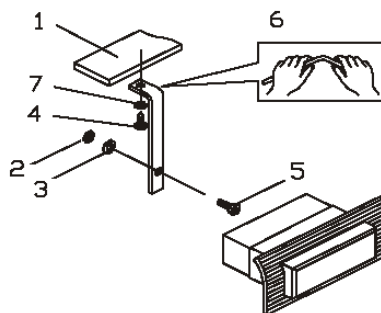
Установки изделия

1. Вставьте установочный кожух в приборную панель.
2. После установки кожуха автомагнитолы в приборную панель автомобиля выберите на кожухе те металлические язычки, которые соответствуют толщине приборной панели, и отогните их, чтобы зафиксировать кожух на месте.
3. Закрепите заднюю сторону изделия.



После закрепления установочного болта и разъема питания установите резиновую втулку, обеспечив тем самым надежную фиксацию изделия в отсеке для магнитолы автомобиля.

1. Приборная панель автомобиля
 2. Гайка (5 мм)
 3. Пружинная шайба
 4. Винт (5 x 25 мм)
 5. Винт
 6. Металлическая планка
 7. Плоская шайба
4. Установите защитную рамку.



Снятие изделия

Вставьте пальцы в выемки на передней стороне рамки и вытяните рамку на себя. (При установке декоративной рамки на место направьте сторону с выемками вни и установите рамку.)

Вставьте съемники, входящие в комплект магнитолы, в пазы на обеих сторонах устройства, как показано на рисунке, чтобы они зафиксировались со щелчком. Для того, чтобы вынуть магнитолу из приборной панели автомобиля, потяните за съемники на себя.

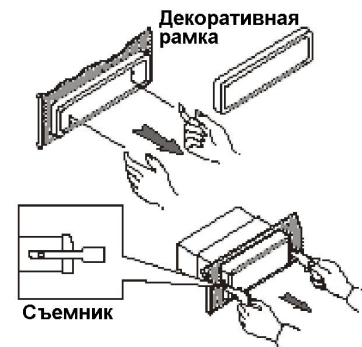
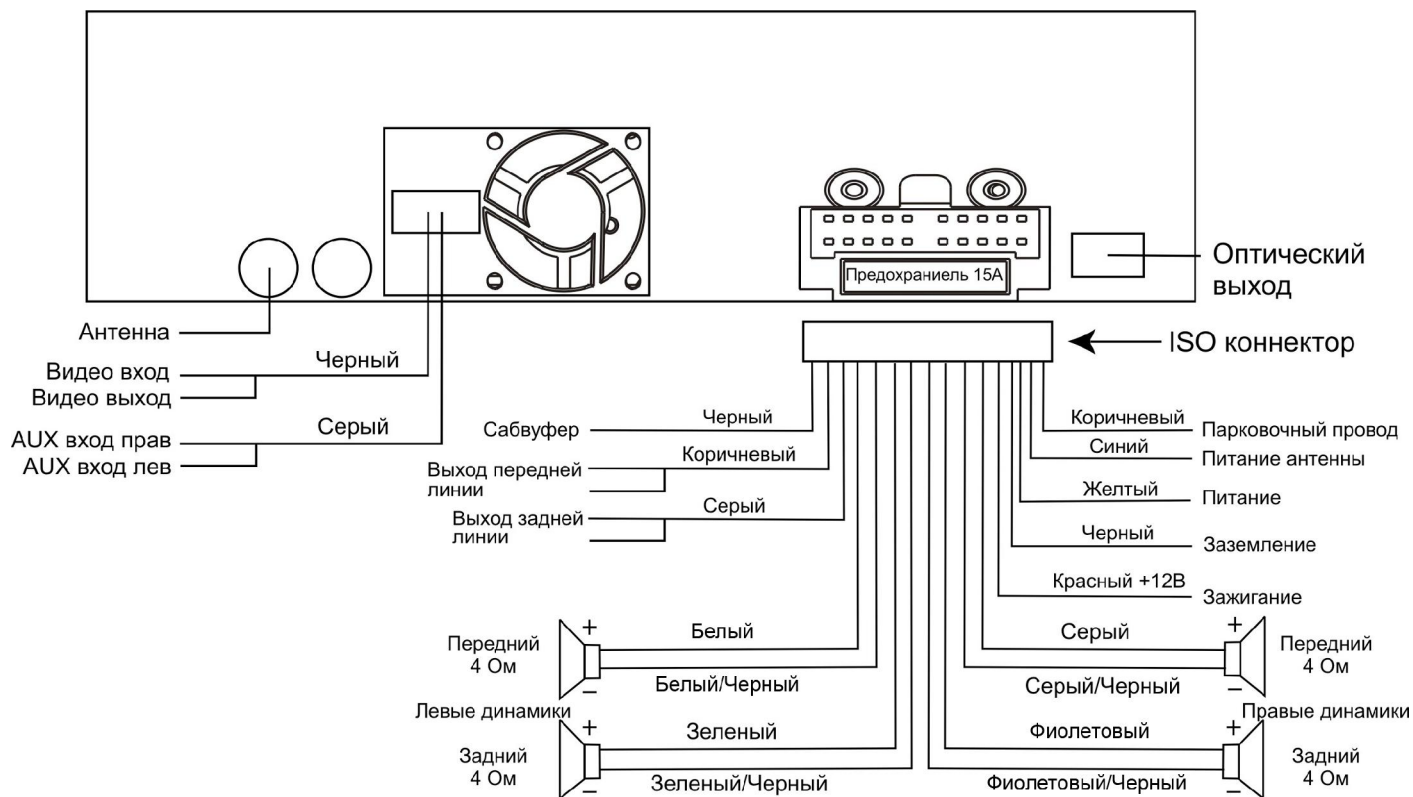


Схема электрических соединений



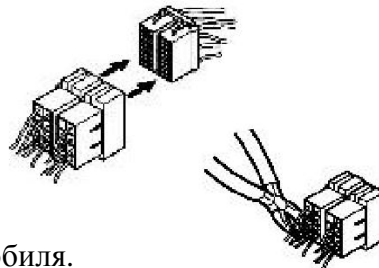
Примечание: Если парковочный провод подсоединен к рычагу стояночного тормоза, изображение на дисплее будет переключаться между стандартным режимом и предупредительной надписью к этой функции. Эта функция отключает видео сигнал во время движения, чтобы водитель не отвлекался от дороги. При активации ручного тормоза видео сигнал снова появляется.

Внимание: Не меняйте самостоятельно провода в соединительном разьеме ISO!!!

Для некоторых моделей автомобилей необходимо будет изменить соединение проводов питания в разьеме, что связано с конструктивными особенностями автомобиля. В этом случае для правильной инсталляции обратитесь к авто дилеру или в установочную студию.

Использование разъема ISO

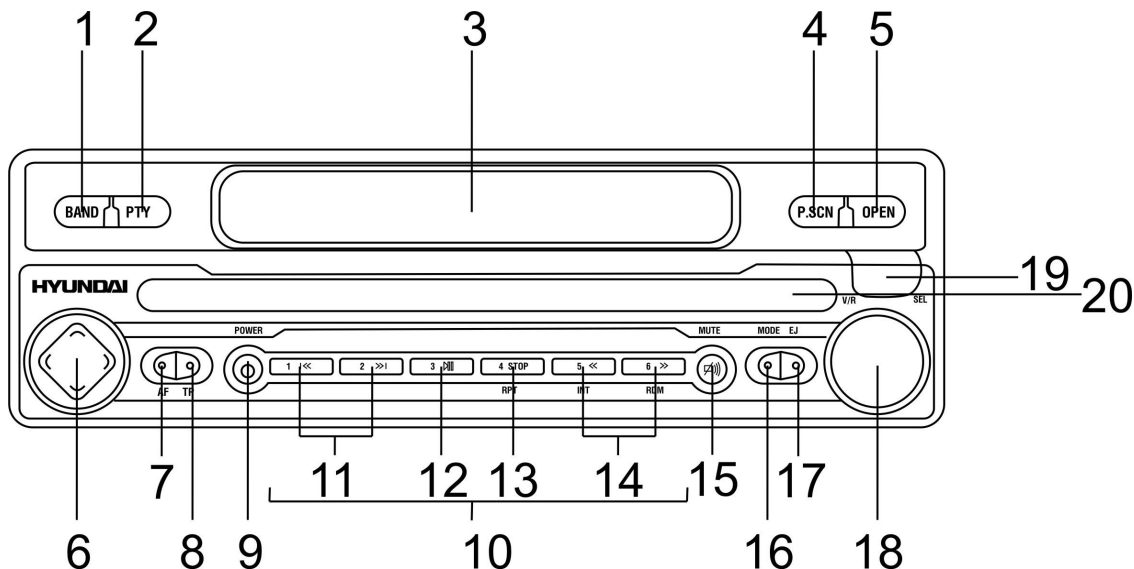
1. Если в Вашем автомобиле есть разъем ISO, произведите подключение, как показано на рисунке.
2. Для подключений без разъемов ISO внимательно проверьт провода перед подключением, неправильное подключение может привести к повреждению изделия и проводки автомобиля.
3. В таблице приведены справочные данные для подключения изделия без использования разъема ISO (для технических специалистов).



Функция			
№	Разъем А	№	Разъем В
4	Питание 12 В (+) (Желтый)	1	Задний правый(+)--Фиолетовый
5	Питание антенны (Синий)	2	Задний правый(-)--Фиолетовый/Черный
7	Зажигание 12 В (+) (Красный)	3	Передний правый(+)--Серый
8	Заземление (Черный)	4	Передний правый(-)--Серый/Черный
		5	Передний левый(+)--Белый
		6	Передний левый((-)--Белый/Черный
		7	Задний левый(+)--Зеленый
		8	Задний левый(-)--Зеленый/Черный

Органы управления

Передняя панель



1. Кнопка BAND
В режиме RADIO нажимайте на эту кнопку для выбора диапазона радиоприемника.
2. Кнопка PTY
В режиме RADIO нажмите на эту кнопку для включения/ выключения функции PTY (выбора типа программы).
3. TFT дисплей
4. Кнопка P.SCN
В режиме RADIO нажмите на кнопку, чтобы активировать функцию автоматического сканирования радиостанций (Program Scan).

Нажмите на кнопку и удерживайте в течение 2 секунд, чтобы активировать функцию автоматического сохранения радиостанций.

5. Кнопка OPEN

Нажмите на эту кнопку, чтобы открыть/ закрыть монитор.

6. Джойстик с кнопками курсора ▲/▼/◀/▶/ Кнопка ENTER

Используйте кнопки курсора ▲/▼/◀/▶ для выбора настроек в меню и их настройки. Нажмите на ENTER для подтверждения.

Используйте кнопки курсора ▲/▼ для выбора заголовка/ главы. Нажмите на ENTER, чтобы начать его воспроизведение.

Используйте кнопки курсора ◀/▶ для воспроизведения следующего кадра.

В режиме RADIO нажимайте на джойстик, чтобы выбрать автоматический или ручной поиск станций. Нажмите на джойстик, чтобы остановить поиск.

7. Кнопка AF

В режиме RADIO нажмите на кнопку, чтобы включить/ выключить функцию AF (альтернативных частот).

8. Кнопка TP

В режиме RADIO нажмите на кнопку, чтобы включить/ выключить функцию TP.

9. Кнопка POWER

Нажмите на любую кнопку, чтобы включить питание устройства. Нажмите на кнопку POWER, чтобы выключить его.

10. Кнопки с цифрами

11. Кнопки |<< / >>|

Нажимайте на них, чтобы перейти к предыдущему/ следующему треку/ главе/ заголовку.

12. Кнопка PLAY/PAUSE

В режиме DVD нажмите на эту кнопку, чтобы начать воспроизведение. Во время воспроизведения нажмите на кнопку PLAY/PAUSE, чтобы поставить воспроизведение на паузу. Нажмите еще раз,

- чтобы продолжить воспроизведение.
13. Кнопка STOP/RPT
Нажмите на кнопку, чтобы остановить воспроизведение.
Во время воспроизведения нажмите и удерживайте кнопку в течение 2 секунд, чтобы начать повторное воспроизведение.
 14. Кнопка << (INT)/ >> (RDM)
Во время воспроизведения нажмите на кнопку <</ >>, чтобы начать ускоренное воспроизведение назад/ вперед: X2, X4, X8, X16, X32.
Во время воспроизведения нажмите и удерживайте кнопку <</INT в течение 2 секунд, чтобы включить функцию Intro (воспроизведение первых 10 секунд треков).
Во время воспроизведения нажмите и удерживайте кнопку >>/RDM в течение 2 секунд, чтобы начать случайное воспроизведение.
 15. Кнопка MUTE
Нажмите на кнопку, чтобы выключить звук. Нажмите еще раз, чтобы включить еще раз.
 16. Кнопка MODE
Нажимайте на кнопку, чтобы выбрать режим: RADIO => DVD => AUX.
 17. Кнопка EJECT
Нажмите на кнопку, чтобы вынуть диск.
 18. Регулятор громкости VOL / Кнопка SEL
Вращайте регулятор громкости по часовой стрелке, чтобы увеличить уровень громкости, вращайте против часовой стрелки, чтобы уменьшить уровень громкости.
Нажмите на него (кнопка SEL), чтобы выбрать аудио настройки: BASS => TREBLE => BALANCE L-R => FADER R-F => BRIGHT => CONTRAST => COLOR => SHARP.
Вращайте регулятор громкости, чтобы отрегулировать каждую настройку.
Нажмите и удерживайте кнопку SEL в течение 2 секунд, нажимайте на кнопку SEL, чтобы выбрать другую настройку: LOC => LOUD => K.MONO => TIME => TA VOL => EON.

Вращайте регулятор громкости, чтобы отрегулировать каждую настройку.

19. ИК сенсор
20. Слот для диска

Монитор

1. Кнопка BAND
2. Кнопка PTY
4. Кнопка P.SCN
5. Кнопка OPEN
21. ЖК дисплей
22. Кнопка BAND

В режиме RADIO нажимайте на эту кнопку для выбора диапазона радиоприемника.

23. Кнопка SETUP

В режиме DVD нажмите на эту кнопку, чтобы открыть меню системных настроек.

24. Кнопка MENU

В режиме DVD нажмите на кнопку, чтобы открыть меню диска.

25. Кнопка OSD

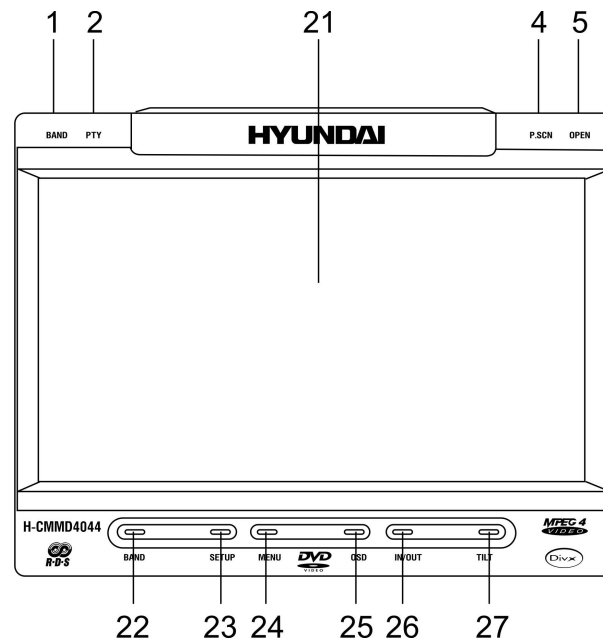
Нажмите на кнопку, чтобы открыть меню общих настроек.

26. Кнопка IN/OUT

Нажимайте на кнопку, чтобы отрегулировать горизонтальную позицию монитора (ближе/ дальше от зрителя).

27. Кнопка TITL

Нажимайте на эту кнопку, чтобы изменить угол наклона монитора: количество позиций от 3 до 5.



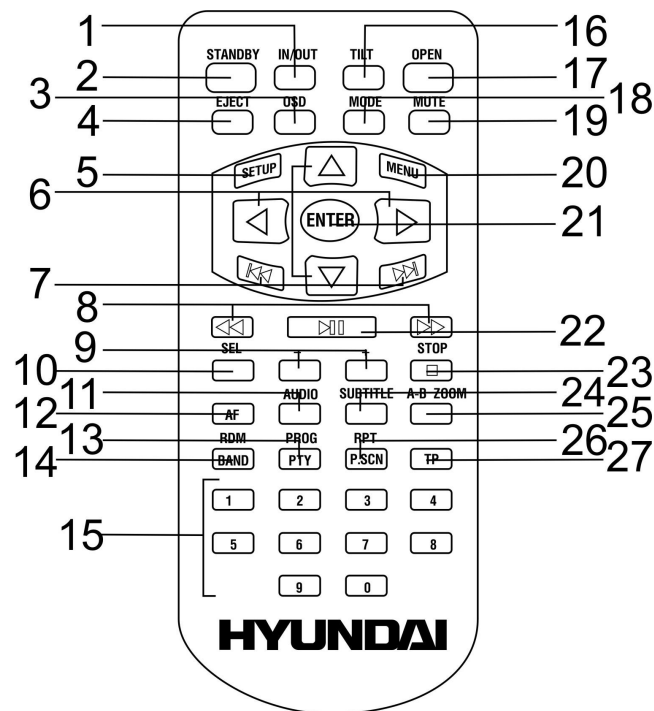
Пульт управления

1. Кнопка IN/OUT - нажимайте на кнопку, чтобы отрегулировать горизонтальную позицию монитора (ближе/ дальше от зрителя).
2. Кнопка STANDBY - нажмите на нее, чтобы включить питание устройства. Нажмите еще раз, чтобы выключить его.
3. Кнопка OSD - нажмите на кнопку, чтобы открыть меню общих настроек.
4. Кнопка EJ - нажмите на кнопку, чтобы вынуть диск.
5. Кнопка SETUP – в режиме DVD нажмите на эту кнопку, чтобы открыть меню системных настроек.
6. Кнопки курсора ▲/▼/◀/▶ - используйте кнопки курсора ▲/▼/◀/▶ для выбора настроек в меню и их настройки.

Используйте кнопки курсора ▲/▼ для выбора заголовка/ главы.

Используйте кнопки курсора ◀/▶ для воспроизведения следующего кадра; в режиме RADIO нажимайте на кнопки ◀/▶, чтобы выбрать автоматический или ручной поиск станций.

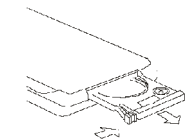
7. Кнопки ◀◀/▶▶ - нажимайте на них, чтобы перейти к предыдущему/ следующему треку/ главе/ заголовку.
8. Кнопки ◀◀/▶▶ - во время воспроизведения нажмите на кнопку ◀◀ ▶▶, чтобы начать ускоренное воспроизведение назад/ вперед: X2, X4, X8, X16, X32.
9. Кнопки +/- - нажимайте на них для регулировки громкости.



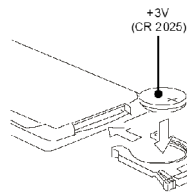
10. Кнопка SEL - нажмите на нее, чтобы выбрать аудио настройки: BASS => TREBLE => BALANCE L-R => FADER R-F => BRIGHT => CONTRAST => COLOR => SHARP.
Нажмите и удерживайте кнопку SEL в течение 2 секунд, чтобы выбрать другую настройку: LOC => LOUD => K.MONO => TIME => TA VOL => EON.
11. Кнопка AUDIO - в режиме DVD нажимайте на кнопку, чтобы выбрать язык аудио.
Во время воспроизведения VCD диска нажимайте на кнопку, чтобы выбрать канал: Mono left => Mono right => Mix mono => Stereo.
12. Кнопка AF - в режиме RADIO нажмите на кнопку, чтобы включить/ выключить функцию AF (альтернативных частот).
13. Кнопка PROG/PTY – во время воспроизведения нажмите на кнопку, чтобы открыть окно поиска.
В режиме RADIO нажмите на кнопку для включения функции PTY (выбора программы).
14. Кнопка RDM/BAND - во время воспроизведения нажмите на кнопку, чтобы начать случайное воспроизведение.
В режиме RADIO нажимайте на кнопку для выбора диапазона радиоприемника.
15. Кнопки с цифрами
16. Кнопка TITL - нажимайте на эту кнопку, чтобы изменить угол наклона монитора. Вы можете выбрать количество позиций от 3 до 5.
17. Кнопка OPEN - нажмите на эту кнопку, чтобы открыть/ закрыть монитор.
18. Кнопка MODE - нажимайте на кнопку, чтобы выбрать режим: RADIO => DVD => AUX.
19. Кнопка MUTE - нажмите на кнопку, чтобы выключить звук. Нажмите еще раз, чтобы включить еще раз.
20. Кнопка MENU - во время воспроизведения нажмите на кнопку, чтобы открыть меню диска.
21. Кнопка ENTER - нажимайте на эту кнопку для подтверждения настроек.
22. Кнопка PLAY/PAUSE - в режиме DVD нажмите на эту кнопку, чтобы начать воспроизведение. Во время воспроизведения нажмите на кнопку PLAY/PAUSE, чтобы поставить воспроизведение на паузу. Нажмите еще раз, чтобы продолжить воспроизведение.

23. Кнопка STOP - нажмите на кнопку, чтобы остановить воспроизведение.
24. Кнопка SUBTITLE – нажимайте на эту кнопку, чтобы выбрать язык субтитров.
25. A-B/ ZOOM – во время воспроизведения нажмите на нее, чтобы начать воспроизведение фрагмента A-B.
Нажмите на кнопку и удерживайте в течение 2 секунд, чтобы увеличить изображение.
26. RPT/P.SCN - во время воспроизведения нажмите на кнопку, чтобы начать повторное воспроизведение.
В режиме RADIO нажмите на кнопку, чтобы активировать функцию автоматического сканирования радиостанций.
27. Кнопка TP - В режиме RADIO нажмите на кнопку, чтобы включить/выключить функцию TP.

Замена батарей в пульте управления:



1. Откройте отсек для батарей в направлении, указанном стрелкой.



2. Замените старую батарею на новую (CR 2025 3V), соблюдая полярность.
3. Закройте отсек для батарей.

Не позволяйте детям играть с батареями.

Неправильное использование батарей может стать причиной перегрева или возгорания, что в свою очередь ведет к пожару.

Утечка батарей может сделать причиной повреждения пульта управления (Срок работы батарей – 6 месяцев при эксплуатации в обычных условиях при комнатной температуре).

Не закорачивайте полюса батареи. Не бросайте батареи в огонь.

Операции с монитором

Открытие/ закрытие монитора

Нажмите на кнопку OPEN, чтобы открыть монитор. При этом он займет позицию, которая была выбрана в последний раз.

Нажмите еще раз, чтобы закрыть монитор.

Автоматическое закрытие монитора

Для включения функции автоматического закрытия монитора при выключении питания нажмите на кнопку OSD. При помощи кнопок курсора ▼/◀ выберите пункт: SYSTEM => TILT.

Настройте параметр TILT:

AUTO (Авто): при выключении питания магнитолы монитор будет автоматически закрываться.

MANUAL (Вручную): для закрытия монитора перед выключением питания нажмите на кнопку OPEN.

Настройка угла наклона монитора

При изменении угла наклона монитора просмотр изображения можно сделать более комфортным.

Для изменения угла наклона шаг за шагом нажимайте на кнопку TILT на мониторе.

ИЛИ нажмите на кнопку OSD. При помощи кнопок курсора ▼/◀ выберите пункт: SYSTEM => TILT RANGE.

Настройте параметр TILT RANGE (количество позиций): 1-3, 1-4, 1-5, Auto (Автоматически).

Настройка горизонтальной позиции монитора

Для настройки горизонтальной позиции монитора нажимайте на кнопку IN/OUT на мониторе.

ИЛИ нажмите на кнопку OSD. При помощи кнопок курсора ▼/◀ выберите пункт: SYSTEM => IN/OUT FIX. Выберите количество позиций: 3, 4, Auto (Авто, 5).

Основные операции

Сброс установок

Нажмите и удерживайте в течение примерно 10 секунд кнопку POWER, чтобы сбросить все настройки магнитолы.

Эта мера необходима в следующих ситуациях: первоначальная установка устройства после подключения или если устройство не реагирует на команды, а также на дисплее появляются символы ошибок.

Кнопка включения питания

Нажмите на любую кнопку, чтобы включить устройство. Для выключения нажмите на кнопку POWER на передней панели или на STANDBY на пульте ДУ.

Внимание: Когда Вы выключаете систему или зажигание автомобиля, уровень громкости и все настройки будут сохранен в памяти устройства.

Регулировка громкости

Поворачивайте регулятор громкости VOL на панели по часовой стрелке или нажимайте на кнопку + на пульте ДУ, чтобы увеличить уровень громкости.

Поворачивайте регулятор громкости VOL на панели против часовой стрелки или нажимайте на кнопку - на пульте ДУ, чтобы уменьшить уровень громкости.

Внимание: Не допускайте продолжительной работы на максимальном уровне громкости.

Выключение звука

Когда питание магнитолы включено, нажмите на кнопку MUTE, чтобы выключить звук. Нажмите на кнопку еще раз или на +/- на пульте ДУ или вращайте регулятор громкости на панели, чтобы включить звук.

Регулировка настроек аудио и видео

Нажмите на кнопку SEL для выбора опции: BASS => TREBLE => BALANCE L-R => FADER R-F => BRIGHT => CONTRAST => COLOR => SHARP.

Вращайте регулятор громкости на панели или нажимайте на +/- на пульте ДУ, чтобы настроить каждую опцию.

Нажмите на кнопку SEL, чтобы подтвердить настройку и вернуться к списку опций.

Для выхода из списка опций подождите 5 секунд.

ИЛИ для регулировки параметров Bass, Treble, Balance, Fader, Bright, Contrast, Color, Sharpness нажмите на кнопку OSD и откройте меню AUDIO MENU или VIDEO MENU.

Регулировка других настроек

Нажмите на кнопку SEL на панели и удерживайте в течение 2 секунд, нажимайте на кнопку SEL для выбора опции: LOC => LOUD => K.MONO => TIME => TA VOL => EON.

- LOCAL: в режиме RADIO вращайте регулятор громкости или нажимайте на +/- на пульте ДУ, чтобы выбрать параметр локального приема: LOC ON (прием региональных станций) или LOC OFF (прием слабых станций). Снова нажмите на кнопку SEL, чтобы подтвердить настройку и вернуться к списку настроек. Для выхода из списка опций подождите 5 секунд.
- LOUD: в режиме RADIO или DVD вращайте регулятор громкости или нажимайте на +/- на пульте ДУ, чтобы выбрать режим: LOUD ON (вкл.) или LOUD OFF (выкл.). Снова нажмите на кнопку SEL, чтобы подтвердить настройку и вернуться к списку настроек. Для выхода из списка опций подождите 5 секунд.
- K.MONO: в режиме RADIO вращайте регулятор громкости или нажимайте на +/- на пульте ДУ, чтобы выбрать режим: MONO (Моно) или STEREO (Стерео). Снова нажмите на кнопку SEL, чтобы

- подтвердить настройку и вернуться к списку настроек. Для выхода из списка опций подождите 5 секунд.
- TIME: в режиме RADIO или DVD вращайте регулятор громкости по часовой стрелке или нажимайте на + на пульте ДУ, чтобы установить часы. Вращайте регулятор громкости против часовой стрелки или нажимайте на - на пульте ДУ, чтобы установить минуты. Снова нажмите на кнопку SEL, чтобы подтвердить настройку и вернуться к списку настроек. Для выхода из списка опций подождите 5 секунд.
 - TA VOL: в режиме RADIO или DVD вращайте регулятор громкости или нажимайте на +/- на пульте ДУ, чтобы установить уровень громкости, при котором будет транслироваться программа о дорожном движении. Снова нажмите на кнопку SEL, чтобы подтвердить настройку и вернуться к списку настроек. Для выхода из списка опций подождите 5 секунд.
 - EON: в режиме RADIO или DVD вращайте регулятор громкости или нажимайте на +/- на пульте ДУ, чтобы включить (ON) или выключить (OFF) функцию EON. Снова нажмите на кнопку SEL, чтобы подтвердить настройку и вернуться к списку настроек. Для выхода из списка опций подождите 5 секунд.

Внимание: При выключении питания все настройки будут сохранены.

При отключения устройства от сети все настройки вернутся к заводским.

Выбор режима работы

Нажимая на кнопку MODE, можно поочередно выбрать режим работы устройства: RADIO (Радио), DVD (Диск), AUX.

Использование кнопок с цифрами

Для ввода номера используйте кнопки с цифрами.

Для ввода двузначного числа вводите цифры номера последовательно. Например, для ввода номера 14 вводите: 1 => 4.

Цифровой тюнер

Внимание: Сервис RDS (система радио данных) доступен не во всех регионах. Имейте в виду, что если услуга RDS не доступна в Вашем регионе, то данная функция не будет работать.

Выбор диапазона

Нажмите на кнопку MODE, чтобы выбрать режим радио - RADIO. Нажимайте на кнопку BAND на панели или на RDM/BAND на пульте ДУ, чтобы выбрать диапазон: FM1, FM2, FM3, AM1, AM2. На дисплее появятся диапазон, частота и номер станции, если данная частота записана в память магнитолы.

Ручной/ автоматический поиск радиостанций

- **Ручной поиск:** Нажмите на кнопку ◀/▶, чтобы начать автоматический поиск. Поиск прекратится при приеме первой станции с сильным сигналом, при этом начнется ее воспроизведение. Нажмите еще раз, чтобы найти следующую станцию. Для сохранения найденной станции в память, нажмите и удерживайте в течение 2 секунд кнопку с цифрой. Под этим номером станция будет сохранена.
- **Автоматический поиск:** Нажмите на кнопку ◀/▶ и удерживайте в течение 2 секунд, нажимайте на кнопку ◀/▶, чтобы вручную уменьшить или увеличить частоту. Для сохранения найденной станции в память, нажмите и удерживайте в течение 2 секунд кнопку с цифрой. Под этим номером станция будет сохранена.

Программирование радио станций

Вы можете хранить и воспроизводить 30 радиостанции (18 FM, 12 AM).

- Чтобы сохранить станцию:
 - Выберите диапазон (если нужно).
 - Выберите станцию при помощи кнопок ◀/▶ или кнопок с цифрами.
 - Нажмите и удерживайте в течение 2 секунд кнопку с номером 1~6, под которым Вы бы хотели сохранить эту станцию.

- Чтобы вызвать станцию:
 - Выберите диапазон (если нужно).
 - Нажмите на кнопку с номером нужной сохраненной станции 1~6.

Функция автоматического сохранения станций в памяти и сканирования

- **Прослушивание сохраненных станций:** Нажмите на кнопку P.SCN на панели или на кнопку RPT/P.SCN на пульте ДУ, чтобы прослушать все сохраненные в текущем диапазоне станции в течение 5 секунд. Во время прослушивания номер каждой станции будет мигать на дисплее. Чтобы остановить прослушивание, снова нажмите на кнопку.
- **Автоматическое сохранение:** Нажмите и удерживайте кнопку P.SCN на панели, 6 станций с самым уверенным приемом будут автоматически сохранены в банке памяти: кнопки 1~6. Чтобы остановить автоматическое сохранение, снова нажмите на кнопку P.SCN.

Функция приема информации о дорожном движении (TR)

Нажмите на кнопку TR, чтобы включить или выключить функцию приема информации о дорожном движении на текущей волне (TR).

Функция выбора передаваемого типа программы (PTY)

1. Нажмите на кнопку PTY на мониторе или на PROG/PTY на пульте ДУ, чтобы включить функцию выбора передаваемого типа программы.
2. Нажмите и удерживайте в течение 2 секунд кнопку PTY на мониторе.
3. Нажимайте на кнопки курсора ◀/▶ или вращайте регулятор громкости, чтобы выбрать тип программы (1-31).
4. Нажмите на кнопку SEL (регулятор громкости), чтобы подтвердить настройку и начать поиск выбранного типа программы.

Используемая терминология

РВС (управление воспроизведением)

Управление воспроизведением – это меню, записанное на видео компакт-дисках. Использование экранного меню видео компакт-диска с РВС, позволяет Вам пользоваться простыми интерактивными программами с функциями поиска. Вы также можете просматривать неподвижные изображения с высоким разрешением.

Заголовок

Большой объем диска позволяет записывать несколько фильмов или роликов. Например, если 1 диск содержит 3 разных фильма (ролика), они подразделяются как Заголовок 1, Заголовок 2 и Заголовок 3. Это позволяет Вам пользоваться удобными функциями поиска.

Глава

Любой заголовок может состоять из отдельных блоков, каждый из которых можно просматривать отдельно. Такой блок называется главой. В каждой главе должно содержаться не меньше одного трека.

Трек

Трек – это дорожка, музыкальная или видео композиция. Например, песня, записанная на диске, является треком.

Воспроизведение дисков

Диски для воспроизведения

- Это устройство может воспроизводить разновидности цифровых дисков: CD/DVD/DVD±R/±RW/CD-R/-RW/CDDA/.
- Совместимо с форматами: DVD-video, SVCD/VCD/HDCD/MP3/MP4/WMA/DivX/MPEG4.
- Поддерживаются следующие типы файлов:
 - Аудио файлы: MP3 (*.mp3)
WMA (*.wma)
 - Видео файлы: MP4 (*.avi, DIVX3.11/4.0/5.0/6.0 and XVID)
MPEG 2(*.vob)
MPEG 1(*.dat)
 - Файлы с изображениями: JPEG (*.jpg)
- ISO 9660 или ISO 9660 + формат Joliet - максимум 30 знаков.
- Максимальное число треков – 448.
- Максимальное число вложений - 8 уровней.
- Максимальное число альбомов – 99.
- Максимальная длина каждого трека - 99 минут 59 секунд.
- Поддерживаемая частота дискретизации для MP3 диска: от 8 кГц до 48 кГц (предпочтительно 44,1 кГц).
- Поддерживаемые скорости цифрового потока MP3 диска: 32 - 320 Кб/сек (предпочтительно 128 Кб/сек).
- НЕ ПОДДЕРЖИВАЮТСЯ следующие форматы: *.ACC, *.DLF, *.M3U, *.PLS, MP3 PRO, файлы с DRM.
- Диски с открытой сессией записи НЕ ПОДДЕРЖИВАЮТСЯ.

Загрузка дисков

1. Включите питание устройства.
2. Установите диск в слот рабочей стороной вниз. Устройство автоматически перейдет в режим DVD. На мониторе появится содержимое диска.
3. Чтобы вынуть диск, нажмите на кнопку EJECT.

Воспроизведение/ Пауза

Дождитесь, пока плеер закончит читать диск. Воспроизведение начнется автоматически.

ИЛИ чтобы начать воспроизведение, используйте кнопку PLAY/PAUSE.

Во время воспроизведения нажмите на кнопку PLAY/PAUSE, чтобы войти в выбранный режим паузы, нажмите еще раз, чтобы продолжить воспроизведение.

Остановка воспроизведения

Во время воспроизведения нажмите кнопку STOP/RPT на панели или на STOP на пульте ДУ для приостановки воспроизведения. Нажмите кнопку еще раз для полной остановки.

Нажмите кнопку PLAY/PAUSE для возобновления воспроизведения.

Переход к предыдущему или следующему треку/заголовку

1. Нажмите во время воспроизведения на кнопку ⏮ на пульте ДУ или на |<< на панели, чтобы начать воспроизведение предыдущего трека/заголовка.
2. Нажмите во время воспроизведения на кнопку ⏭ на пульте ДУ или на >>| на панели, воспроизведение начнется со следующего трека/заголовка.
3. При помощи кнопок с цифрами (1-9, 0) введите номер нужного трека/заголовка.

Ускоренное воспроизведение вперед или назад

Нажмите во время воспроизведения на кнопку <</>> на панели или на ◀/▶ на пульте ДУ, чтобы выбрать скорость перемотки назад или вперед: X2, X4, X8, X16, X32. Нажмите на кнопку PLAY/PAUSE, чтобы вернуться к нормальному воспроизведению.

Внимание: Во время воспроизведения дисков, когда ускоренное воспроизведение достигает начала следующего трека, возобновляется нормальный режим воспроизведения.

Повтор воспроизведения

Во время воспроизведения диска нажимайте и удерживайте в течение 2 секунд кнопку STOP/RPT, чтобы начать повторное воспроизведение:

Для DVD дисков: CHAPTER (Повтор текущей главы) => TITLE (Повтор заголовка) => ALL (Повтор всего диска).

Для аудио дисков: ONE (Повтор текущего трека) => ALL (Повтор всех треков) => OFF (Выключить функцию повтора).

Для MP3 дисков:

For MP3: ONE (Повтор текущего трека) => FOLDER (Повтор текущей папки) => OFF (Выключить функцию повтора).

Повтор отрывка A-B

1. Во время воспроизведения на том моменте, с которого Вы хотели бы начать повтор (точка A), нажмите на кнопку REPT A-B на пульте ДУ.
2. На том моменте, до которого Вы хотите произвести повторное воспроизведение (точка B), нажмите на кнопку REPT A-B еще раз. Повторное воспроизведение отрывка A-B начнется автоматически.
3. Чтобы остановить воспроизведение нажмите на кнопку еще раз.

Случайное воспроизведение (только для дисков CD/VCD/MP3)

Во время воспроизведения нажмите и удерживайте в течение 2 секунд кнопку >>/RDM на панели или нажмите на кнопку RDM/BAND на пульте ДУ, чтобы начать случайное воспроизведение всех треков/заголовков. Нажмите еще раз, чтобы отменить функцию.

Функция Scan

Вы можете последовательно воспроизводить начало каждого трека в течение 10 секунд.

Во время воспроизведения нажмите и удерживайте в течение 2 секунд кнопку <</INT на панели, чтобы начать воспроизведение всех треков. Нажмите еще раз, чтобы отменить функцию.

Работа с меню

1. В режиме DVD нажмите на кнопку MENU, чтобы открыть меню диска.
2. С помощью кнопок курсора ▲, ▼ Вы можете выбрать нужный пункт меню.
3. Нажмите на джойстик или на кнопку PLAY/PAUSE для подтверждения выбора и начала воспроизведения.

Программирование воспроизведения

При помощи этой функции Вы можете создать свою программу воспроизведения – список заголовков и глав.

1. Нажмите на кнопку PROG/PTY на пульте ДУ, чтобы открыть меню поиска.
2. В первой строке при помощи кнопок с цифрами введите сначала номер заголовка, к которому хотите перейти, а затем – главы.
3. Для перехода на следующую строку (всего 20) используйте кнопки курсора ▲/▼/◀/▶.
4. Введите номера заголовков и глав (пункт 2).

5. Для того, чтобы начать воспроизведение запрограммированного списка при помощи кнопок курсора ▲/▼/◀/▶ выберите кнопку START (Старт) и нажмите на джойстик.
6. Для отмены функции и выхода из списка при помощи кнопок курсора выберите кнопку EXIT (Выход) и нажмите на джойстик.

Отображение информации на дисплее (OSD)

1. Нажмите на кнопку OSD. На дисплее отобразится список меню: Source menu (Режим), Audio menu (Аудио настройки), Video menu (Видео меню), Screen menu (Меню настройки экрана), System menu (Системное меню).
2. Для выбора определенного меню нажимайте на кнопки ▲/▼.
3. Чтобы войти в выбранное меню, нажмите на ◀.
4. Для выбора настройки нажимайте на кнопки ▲/▼.
5. Нажмите на кнопку ENTER/джойстик, чтобы активировать настройку.
6. Нажимайте на ◀/▶, чтобы отрегулировать настройку.
7. Нажмите на ENTER/джойстик, чтобы подтвердить.
8. Нажмите на ▶, чтобы вернуться к списку меню.
9. В списке меню нажмите на ENTER/джойстик, чтобы закрыть его.

Source menu (Режим)

Выберите режим:

- TUNER (Радио)
- DVD
- TV (опция)
- CDC (опция, когда подключен CD-чейнджер)
- AUX

Audio menu (Аудио настройки)

- Bass
- Treble
- Balance
- Fad
- Sub woofer (Сабвуфер: On (Вкл.)/ Off (Выкл.))
- Beep sound (Звуковой сопровождение сигналов: On (Вкл.)/ Off (Выкл.))
- Start volume. (Уровень громкости при включении устройства. По умолчанию 20.)

Video menu (Видео настройки)

- Bright (Яркость)
- Contrast (Контраст)
- Color (Цветность)
- Sharpness (Резкость)

Screen menu (Настройки экрана)

- Picture (Изображение: нормальное/ перевернутое)
- Full (Режим экрана)
- Normal (Нормальное изображение)

System menu (Системные настройки)

- TILT (Режим закрытия монитора: Auto (Авто)/ Manual (Вручную))
- In/out fix (Горизонтальная позиция монитора)
- TILT range (Угол наклона монитора)
- Back light (Уровень яркости черного экрана)

Выбор языка аудио

Для DVD диска: нажимайте на кнопку AUDIO на пульте ДУ для выбора языка аудио (если диск поддерживает несколько языков).

Выбор канала

Для VCD диска: нажимайте на кнопку AUDIO на пульте ДУ для выбора канала: Mono left (Моно лев.) => Mono right (Моно прав.) => Mix mono (Смешанное моно) => Stereo (Стерео).

Изменение языка субтитров

Во время воспроизведения язык субтитров находится в пусковой установке диска. Нажимайте кнопку SUBTITLE на пульте ДУ для переключения среди поддерживаемых диском языков. Если диск поддерживает только одни субтитры, функция не будет работать.

Изменение масштаба изображения

Во время воспроизведения нажмите и удерживайте в течение 2 секунд кнопку A-B/ZOOM. Изображение при каждом нажатии будет увеличиваться в порядке: X2, X3, X4, X1/2, X1/3, X1/4, Нормальное воспроизведение.

Обзор MP3

Замечания по MP3:

- MP3 это краткое обозначение аудио слоя MPEG 3 и относится к стандарту технологии сжатия звука.
- Данное изделие позволяет воспроизводить файлы MP3 на дисках CD-ROM, CD-R или CD-RW.
- Изделие может считывать файлы MP3, записанные в формате, соответствующем ISO 9660. Однако оно не поддерживает данные MP3, записанные методом пакетной записи.
- Изделие не может считывать файлы MP3, которые имеют расширение файла, отличающееся от “.mp3”.
- Если вы воспроизводите не MP3 файл, который имеет расширение “.mp3”, вы можете слышать некоторые шумы.
- В данном руководстве мы рассматриваем файлы, называемые “файлами MP3” и “папкой”, а в технологии РС “дорожкой” и “альбомом” соответственно.
- Максимальное количество уровней директории равно 8, включая корневую директорию. Максимальное количество файлов и папок на диске 448.
- Изделие может не воспроизводить дорожки в последовательном порядке.
- Изделие воспроизводит только аудио треки, если диск содержит как аудио треки, так и файлы MP3.
- При воспроизведении диска с битрейтом 8 килобит или переменной скоростью передачи битов (VBR), истекшее время воспроизведения в окне дисплея, возможно, будет некорректным, а ознакомительное воспроизведение может не действовать надлежащим образом.

Замечание по созданию собственных CD-R или CD-RW, содержащих файлы MP3:

- Для получения высокого качества звука мы рекомендуем преобразовывать файлы MP3 с частотой дискретизации 44,1 кГц и постоянным битрейтом 128 Кбит/сек.
- НЕ сохраняйте более 448 файлов MP3 на диске.
- Для формата, совместимого с ISO 9660, максимально допустимая глубина вложенных папок равняется 8, включая корневую директорию (папку).
- При использовании диска CD-R воспроизведение возможно только для дисков, у которых закрыта сессия записи.
- Убедитесь, что при записи MP3 CD-R или CD-RW были отформатированы как диски данных, а НЕ как аудио диски.
- Не рекомендуется записывать на диск MP3 файлы вместе с другими файлами, так как в этом случае потребуется много времени для их воспроизведения изделием.
- На некоторых CD-R или CD-RW данные могут не быть записаны надлежащим образом в зависимости от качества их производства. В этом случае данные могут быть воспроизведены не надлежащим образом. Рекомендуются приобретать диски CD-R или CD-RW высокого качества.
- Имя альбома или композиции может содержать до 16 символов. Необходима версия 1.x ID3TAG.
- Помните, что изделие может не воспроизводить треки в том порядке, в котором они записаны на диске.

Настройки системы

1. Нажмите на кнопку SETUP, чтобы открыть меню настройки системы.
2. Используйте кнопки ◀/▶, чтобы выбрать нужное меню из списка: Общие настройки, Настройка аудио, Настройка видео, Предпочтения, Установка пароля.
3. Нажмите на ▼, чтобы войти в меню.
4. Используйте кнопки ▲/▼, чтобы выбрать нужную настройку.
5. Нажмите на кнопку ▶, чтобы открыть список установок выбранной настройки.
6. Используйте кнопки ▲/▼, чтобы выбрать нужную установку, затем нажмите на ENTER, чтобы подтвердить.
7. Нажимайте на кнопку ◀, чтобы вернуться к списку меню.

Общие настройки

• ФОРМАТ ТВ

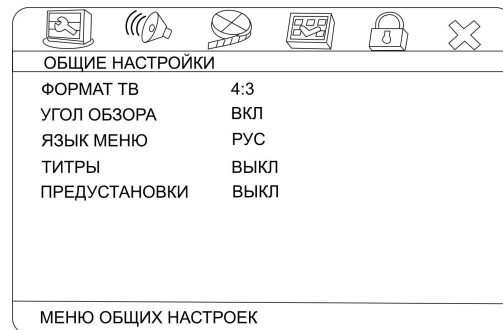
4:3: Когда домашний кинотеатр подключен к обычному телевизору, широкоэкранное изображение воспроизводится на всем экране, но часть его обрезается.

Letterbox: Когда домашний кинотеатр подключен к обычному телевизору, широкоэкранное изображение воспроизводится так, что сверху и снизу появляются черные полосы.

16:9: Используйте этот пункт, если домашний кинотеатр подключен к широкоэкранному телевизору.

• УГОЛ ОБЗОРА

Некоторые фильмы на DVD дисках могут быть записаны с различными углами съемки – объект, сцена снимается под разными углами камеры. Более подробную информацию о такой возможности можно почерпнуть из аннотации к Вашему DVD диску.



Если режим включен, при воспроизведении DVD диска, записанного под разными углами камеры, на экране отображается значок угла камеры.

- **ЯЗЫК МЕНЮ**

Выберите языка экранного меню.

- **ТИТРЫ**

Эта функция не работает, если диск не имеет заголовка. Если функция заголовка выключена, нажмите кнопку SUBTITLE на пульте ДУ для включения функции. Установка по умолчанию - СУБТИТРЫ ВКЛ.

- **ПРЕДУСТАНОВКИ**

Если эта функция включена, плеер может запомнить время, в течение которого последний раз воспроизводился данный диск. При следующем просмотре Вы можете начать воспроизведение с момента, содержащегося в памяти.

Настройка аудио

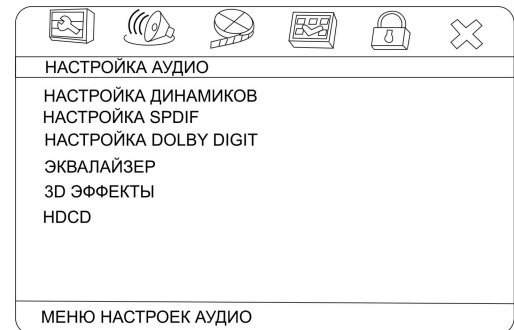
- **НАСТРОЙКА ДИНАМИКОВ**

- **МИКШИРОВАНИЕ**

Моно: Выберите этот пункт, если плеер подключен к усилителю с системой DOLBY Pro LOGIC.

Сtereo: Выберите этот пункт, если плеер подключен к обычной стереосистеме.

Surround: Выберите этот пункт, если плеер подключен к моноканальному усилителю с системой DOLBY SURROUND.



- **НАСТРОЙКА SPDIF**
 - **SPDIF ВЫХОД**
SPDIF выкл: отсутствует цифровой выходной сигнал (оптический или коаксиальный выход отключен), только аналоговый аудио выход.
SPDIF/RAW: цифровой выходной сигнал в оригинальном формате, записанном на диске.
SPDIF/PCM: цифровой выходной сигнал в декодированном PCM формате.
- **НАСТРОЙКА DOLBY DIGITAL**
 - **ДВОЙНОЙ МОНО (1+1)**
Сtereo: Стерефонический выходной сигнал.
Левый: Выходной сигнал левого канала.
Правый: Выходной сигнал правого канала.
Смешанный моно: Усредненный выходной сигнал левого и правого каналов.
 - **ДИН ДИАПАЗОН**
При просмотре ночью программ с высоким динамичным диапазоном звука, выбор этого режима позволит Вам уменьшить звук до очень низкого уровня и в то же время сохранить качество и детали звукового сопровождения. Это позволит Вам не беспокоить остальных членов семьи и сохранить высокое качество звука.
- **ЭКВАЛАЙЗЕР**
 - **ТИП ЭКВАЛАЙЗЕРА**
Имеется несколько режимов работы эквалайзера. Вы можете выбрать любой в соответствии с вашими предпочтениями и содержанием просматриваемого диска.
 - **ПОДЪЕМ НЧ, СУПЕРБАС, ПОДЪЕМ ВЧ**
ВКЛ. соответствует усилению соответствующего частотного диапазона звука.
- **3D ЭФФЕКТЫ**
 - **РЕВЕРБЕРАЦИЯ**
Выберите режим: Выкл., Концерт, Гостиная, Холл, Ванная, Пещера, Цирк, Церковь.

- **HDCD**
- **ФИЛЬТР**

Вы можете выбрать цифровой фильтр **ВЫКЛ.**, 1х или 2х. Фабричная установка - выключено.

Настройка видео

- **КОМПОНЕНТНЫЙ**

Выкл: выберите этот пункт, чтобы выключить видео сигнал.

YUV: установка для видеовыхода аналогового компонентного видеформата при подключении к Y/U/V компонентному разъему.

RGB: установка видеовыхода в формат Красный/Зеленый/Синий при подключении к SCART разъему.

- **ИЗОБРАЖЕНИЕ**

Вы можете установить четкость, яркость, контрастность, гамму, оттенок, насыщенность, задержку яркости в соответствии с вашими предпочтениями.



Предпочтения

- **СИСТЕМА ТВ**

Ваш домашний кинотеатр подходит для всех разновидностей телевизионных систем. Вы можете выбрать PAL, NTSC или АВТО.

Авто: система ТВ автоматически переключается в соответствии с системой, в которой записан диск.

NTSC: эта система используется в США, ТАЙВАНЕ, ЯПОНИИ и пр.

PAL: эта система используется в КИТАЕ, ЕВРОПЕ, ГОНКОНГЕ и пр.



- **PBC**
Вы можете включить или выключить функцию контроля воспроизведения PBC.
- **АУДИО, СУБТИТРЫ, МЕНЮ ДИСКА**
Эти параметры могут быть изначально установлены в соответствии с Вашими предпочтениями. Если установленные Вами параметры поддерживаются содержанием диска, то воспроизведение будет происходить с учетом Ваших настроек. Иначе, будут использоваться установки диска, заданные по умолчанию. При воспроизведении эти установки могут быть изменены соответствующими нажатиями кнопок AUDIO и SUBTITLE на пульте ДУ.
- **РОДИТЕЛЬСКИЙ**
Эта функция предназначена для контроля родителями за содержанием дисков при их воспроизведении и защищает Ваших детей от сцен насилия и эротики. Диск, уровень которого выше, чем установленный с помощью данной функции, не будет воспроизведен.
- **RDM**
Выберите этот пункт, чтобы отобразить на экране код DivX.
- **ПО УМОЛЧАНИЮ**
Функция переустанавливает плеер на фабричные настройки.

Установка пароля

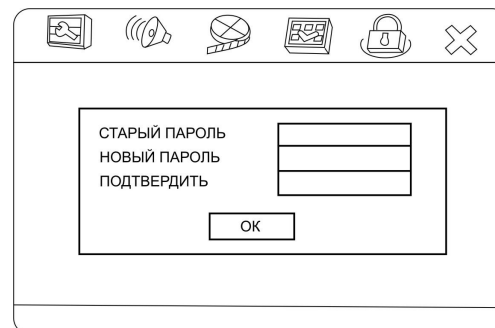
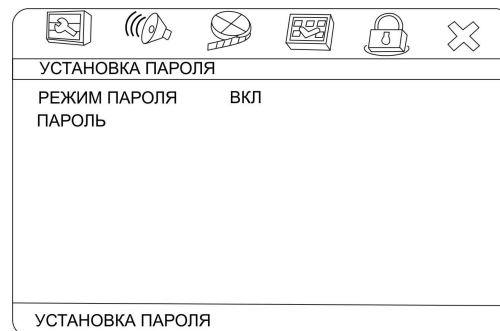
- **РЕЖИМ ПАРОЛЯ**

При включенном режиме пароля Вы НЕ можете выбрать установить РОДИТЕЛЬСКИЙ контроль (Меню ПРЕДПОЧТЕНИЯ) или изменить пароль.

Для изменения РОДИТЕЛЬСКОГО контроля выключите режим пароля.

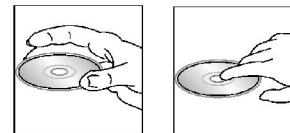
- **ПАРОЛЬ**

Если Вы хотите изменить пароль, при помощи кнопок курсора выберите пункт ПАРОЛЬ => ИЗМЕНИТЬ, введите действующий пароль из 4 цифр в поле пункта СТАРЫЙ ПАРОЛЬ, или значение по умолчанию 8806 (если Вы забыли действующий). Затем перейдите в поле НОВЫЙ ПАРОЛЬ, введите новый пароль, в поле ПОДТВЕРДИТЬ снова введите новый пароль. Нажмите на кнопку ОК, чтобы сохранить новый пароль.



Обращение с дисками

- Грязные, поцарапанные или погнутые диски могут вызвать искажение звука или шумы.
- Держите диск только за края (как показано на рисунке). Чтобы обеспечить чистоту, не прикасайтесь к его поверхности.
- Диски должны храниться в их чехлах после использования, чтобы не поцарапать их поверхность.
- Не подвергайте диски действию прямого солнечного света, повышенной влажности, повышенным температурам или действию пыли.
- Продолжительное влияние предельных температур может изогнуть диск (например, пребывание дисков в автомобиле в летнее время).
- Не царапайте и не пишите что-либо на любой стороне диска. Острые пишущие инструменты или чернила, используемые в них, могут повредить поверхность диска.
- Не оставляйте никаких следов на рабочей стороне диска.
- Не прикрепляйте этикетки или стикеры к любой стороне диска.



Чистка и уход

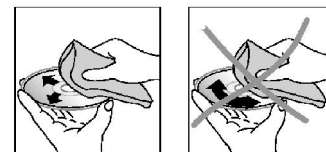
Чистка корпуса и передней панели

Протирайте мягкой тканью. Если корпус очень загрязнен (не мочите его), используйте мягкую ткань. Если панель загрязнилась или запылилась, протрите ее сухой чистой тканью. Для чистки разъема в задней части панели используйте тампон, смоченный техническим спиртом.

Чистка дисков

Отпечатки пальцев должны быть тщательно стерты с поверхности диска мягкой тканью. В отличие от обычных пластинок, компакт-диски не имеют канавок для сбора пыли и микроскопических частиц грязи, поэтому их можно легко отчистить мягкой тканью. Вытирайте прямолинейным движением от центра к краю.

Никогда не используйте растворитель, бензин, очиститель пластинок или антистатический аэрозоль для чистки дисков. Такие химические вещества могут повредить его пластиковые поверхности.



Руководство по устранению неисправностей

Неисправность	Причина	Решение
Нет питания	Зажигание машины не включено. Сгорел предохранитель.	Если источник питания подключен надлежащим образом к выключателю машины, установите ключ зажигания в положение “ACC”. Замените предохранитель.
Невозможно загрузить диск	В плеер установлен диск.	Удалите диск из плеера, затем установите новый.
Невозможно считать диск	Диск установлен верхней стороной вниз. Диск загрязнен или имеет дефект. Температура внутри машины очень высокая.	Установите компакт диск стороной с этикеткой вверх. Очистите диск или установите новый. Подождите, пока температура не станет нормальной.
Нет звука	Звук установлен на минимум. Кабель не подключен надлежащим образом.	Отрегулируйте звук до необходимого уровня. Проверьте подключение кабеля.
Не действуют функциональные ключи	Встроенный микрокомпьютер не работает надлежащим образом из-за шумов. Передняя панель не установлена на свое место.	Нажмите кнопку POWER и держите в течение 10 секунд, чтобы сбросить настройки.
Звук пропадает	Угол установки устройства более 30 градусов. Диск загрязнен или имеет дефект.	Отрегулируйте угол установки, установив его менее 30 градусов. Очистите диск или установите новый.
Радио не работает. Не работает автоматический выбор радиостанции	Антенный кабель не подключен. Сигналы слишком слабы.	Вставьте антенный кабель надежно. Выберите станцию вручную.

Технические характеристики

Общие	
Источник питания:	12 В
Потребляемый ток:	Максимум 10 А
Максимальная выходная мощность:	50 Вт x 4 канала
Форматы воспроизведения:	DVD/SVCD/VCD/HDCD/MP3/MP4/WMA/CDDA/Picture-CD/JPEG/ CD-R/ -RW/DVD±R/±RW/DivX/MPEG4
Размеры (Д x Ш x В)/ вес:	178 x 50 x 190 мм/ 2,5 кг
Рабочий диапазон температур:	-10°C - +60°C
Функция ESP	40 с для Аудио CD, 120 с для MP3
ЖК дисплей	
Размер дисплея:	7"
Разрешение:	480 x 234 dpi
Формат:	16:9
Контрастность:	300:1
Яркость:	500 кд/м ²
Система цвета	PAL/NTSC
Сtereo FM радио	
Частотный диапазон:	87.5 – 108.0 MHz
Используемая чувствительность:	6 мкВ
Память цифрового тюнера	18 станции
АМ радио	
Частотный диапазон:	522-1620 КГц
Память цифрового тюнера	12 станций

Аудио	
Максимальный уровень сигнала на выходе:	2 В RMS (+/-3 дБ)
Частотный диапазон:	20 Гц – 20 КГц
Уровень сигнал-шум (А-вtd):	90 дБ
Разделение	80 дБ
Линейный выход	
Выход	CD макс. 2000 мВ

Технические характеристики могут быть изменены заводом-изготовителем без предварительного уведомления.

Указанные масса и геометрические размеры имеют приблизительные значения.



Free Manuals Download Website

<http://myh66.com>

<http://usermanuals.us>

<http://www.somanuals.com>

<http://www.4manuals.cc>

<http://www.manual-lib.com>

<http://www.404manual.com>

<http://www.luxmanual.com>

<http://aubethermostatmanual.com>

Golf course search by state

<http://golfingnear.com>

Email search by domain

<http://emailbydomain.com>

Auto manuals search

<http://auto.somanuals.com>

TV manuals search

<http://tv.somanuals.com>