

Fixed Transmitter

Hubbell Radio Remote Control Systems

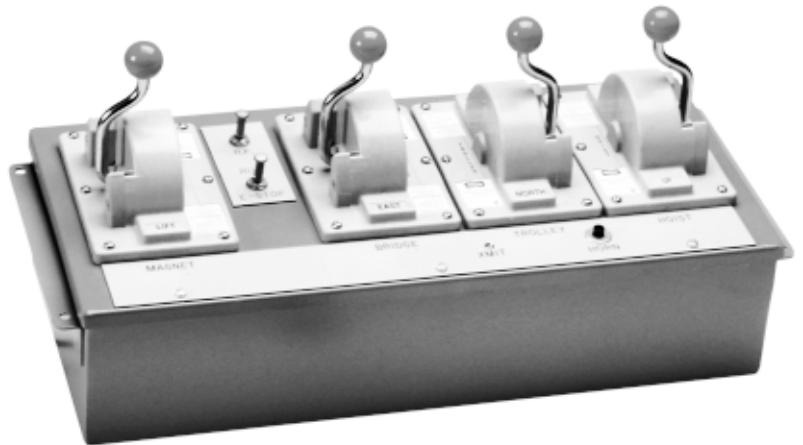
Spec Sheet 31.350 • May 2000 • New
Replaces Spec Sheet 31120 of June 96

The Hubbell Fixed Transmitter is a microcontroller transmitter for use with Hubbell microcontroller receivers. The fixed transmitter communicates to the remote receiver via radio transmission, eliminating the need for festooning, cabling, etc.

The Fixed Transmitter is housed in a NEMA 12 surface-mounting console integrating several Hubbell operator interface products. The transmitter electronics are essentially the same as used in the mid-size transmitter. Internal power supplies are provided for operation from 120V ac or 250V dc. The antenna mounts remotely and is connected to the transmitter by coax cable.

Multispeed/bidirectional operator control can be via a Type 4211 Mini-Master Switch for each function controlled by the transmitter. The compact Mini-Master Switch has an operator head molded with tough fiberglass reinforced polyester resin and a stainless steel handle. The switch is available with up to 5 speed points per direction. Refer to Specification Sheet 4211 for additional information.

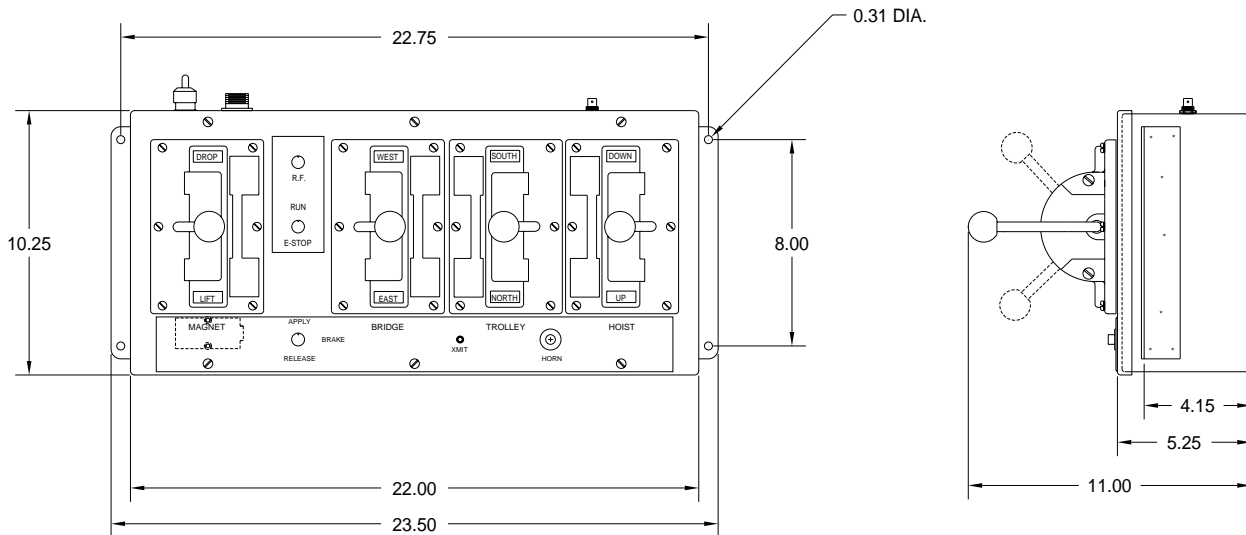
Other operator interface functions (start/stop, horn, etc.) use toggle switches, and/or push-buttons & selector switches. Fixed transmitter consoles are custom designed to meet the user's specific requirements.



Transmitter Specifications

	72 MHz Transmitters	450 MHz Transmitters
Frequency Range Channel Available Frequency Stability -10 to 60° C	72-76 MHz per customer license ±5ppm	406-430, 450-475 MHz per customer license ±5ppm
Emission Type Spurious/Harmonic Output (below carrier) Output to Antenna Effective Radiated Power Nominal Range (line of sight)	10KOFID >70db 300 mWV 150 mWV 2000 ft*	10KOFID >80db 300 mWV (low) / 1 W (high) 150 mWV (low) / 500 mWV (high) 2500 ft (low) / 3500 ft (high)*
FCC Identifier Canada Certificate Number	LRL922206-72 2259-203-224	LRL922206-450 2259-203-222
Voltage Requirement Battery Usage Recharge Time	120V ac or 250V dc no battery no battery	120V ac or 250V dc no battery no battery
Operating Temperature Relative Humidity LED Indicator	-22° F to 140°F -30° C to 60° C 20% to 90% non - condensing Flashing: transmitting	-22° F to 140°F -30° C to 60° C 20% to 90% non - condensing Flashing: transmitting
Function Lever Switches Auxiliary Switches Weight with Battery	as required as required No Battery	as required as required No Battery

* The use of "Whip Antennas", raised 20 to 30 feet above ground level, on both transmitter and receiver, increases the nominal range to 2 miles.



Hubbell Industrial Controls, Inc.

a subsidiary of
Hubbell Incorporated

50 Edwards Street
Madison, Ohio 44057
(440) 428-1161
Fax (440) 428-7635

4301 Cheyenne Drive
Archdale, NC 27263
(336) 434-2800
Fax (336) 434-2801

<http://www.hubbell-icd.com/radiocontrols/>

Free Manuals Download Website

<http://myh66.com>

<http://usermanuals.us>

<http://www.somanuals.com>

<http://www.4manuals.cc>

<http://www.manual-lib.com>

<http://www.404manual.com>

<http://www.luxmanual.com>

<http://aubethermostatmanual.com>

Golf course search by state

<http://golfingnear.com>

Email search by domain

<http://emailbydomain.com>

Auto manuals search

<http://auto.somanuals.com>

TV manuals search

<http://tv.somanuals.com>