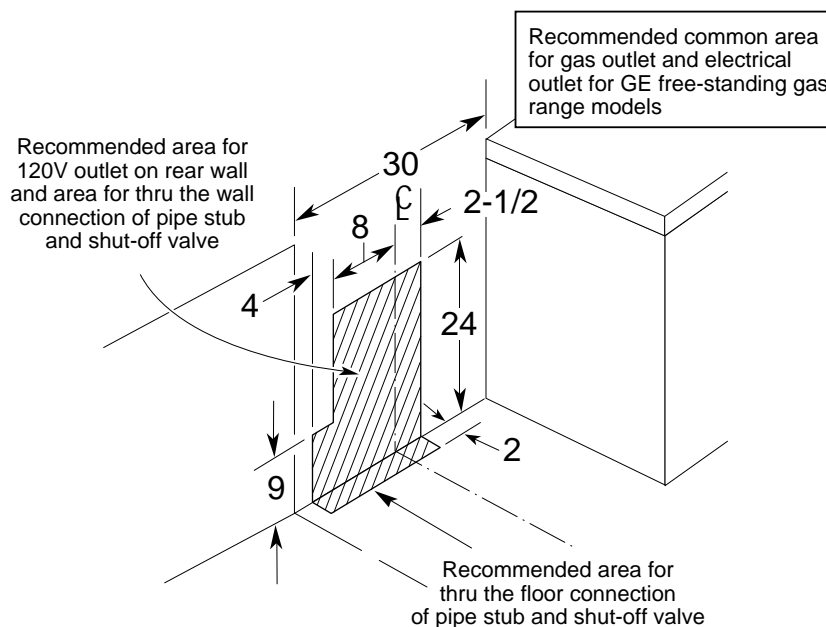
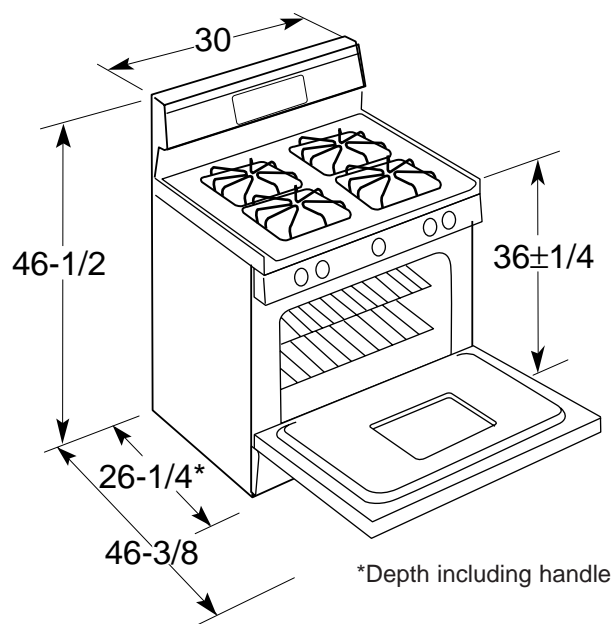


# HOTPOINT

## RGB528BEAWH—30" Free-Standing Gas Range

Dimensions (in inches)



### Installation Information:

Dimensions shown here are the same as those shown on the installation instructions at the time this sheet was printed. Before proceeding with installation, see your Hotpoint supplier for latest detailed preparation and installation instructions or install from the instructions packed with each unit.

### Optional gas range accessory drip pans:

(Available at additional cost)  
To order these accessory drip pans, call toll-free 800-626-2002.

For answers to your Monogram,®GE Profile Performance Series,™ GE Profile,™ and GE appliance questions, call GE Answer Center® service, 800.626.2000.

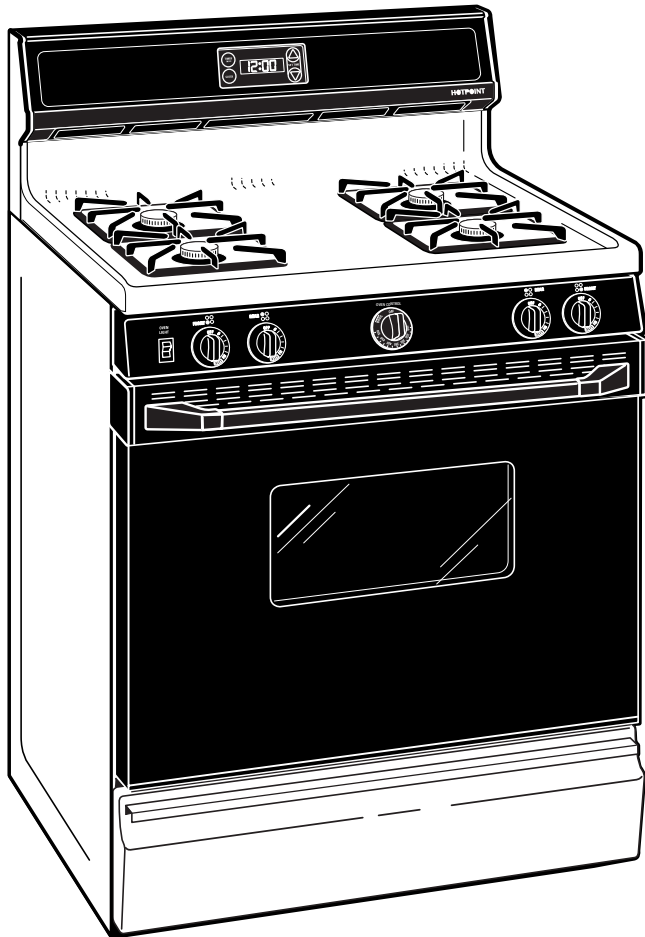


All GE ranges are equipped with an Anti-Tip device. The installation of this device is an important, required step in the installation of the range.



# HOTPOINT

## RGB528BEAWH—30" Free-Standing Gas Range



### Features and Benefits

- Porcelain-Enameled Up-Swept Cooktop
- Lift-Up Cooktop with Easy Clean Subtop
- Twin Cooktop Burners
- Black Removable Square Grates
- Electronic Pilotless Ignition System
- Extra-Large Standard Clean Oven
- Electronic Clock and Minute Timer
- Slide-Out Broiler Drawer
- 2 Oven Shelves / 6 Embossed Rack Positions
- Black Frameless Glass Oven Door with Window
- Designer-Style Handle
- Optional Accessory One-Piece Drip Pans Available at Additional Cost
- Model RGB528BEAWH—White
- Model RGB528BEAAD—Almond

## Free Manuals Download Website

<http://myh66.com>

<http://usermanuals.us>

<http://www.somanuals.com>

<http://www.4manuals.cc>

<http://www.manual-lib.com>

<http://www.404manual.com>

<http://www.luxmanual.com>

<http://aubethermostatmanual.com>

Golf course search by state

<http://golfingnear.com>

Email search by domain

<http://emailbydomain.com>

Auto manuals search

<http://auto.somanuals.com>

TV manuals search

<http://tv.somanuals.com>