



Hearth Technologies Inc.
20802 Kensington Blvd.
Lakeville, MN 55044

Installation and Operation Instructions for the WSK-21 WALL SWITCH KIT

CHECK CONTENTS OF SHIPPING CARTON

Compare contents of carton in Figure 1 with the actual parts received. If any parts are missing or damaged, contact your dealer before beginning installation. **DO NOT** install a damaged wall switch Kit.

INSTALLATION PRECAUTIONS

The WSK-21 Wall Switch Kit is tested and safe when installed in accordance with this installation manual. It is your responsibility to read all instructions before starting installation and to follow these instructions carefully during installation.

The wall switch kit is carefully engineered and must be installed only as specified. If you modify it or any of its components, you will void the warranty and you may possibly cause a fire hazard.

CAUTION: All wiring should be done by a qualified electrician and shall be in compliance with local codes and with the National Electric Code ANSI/NFPA No. 70-current (in the United States), or with the current CSA C22.1 Canadian Electric Code (in Canada).

WARNING: DO NOT CONNECT 110-120 VAC WIRING TO THE GAS CONTROL VALVE OF THIS APPLIANCE OR TO THE WALL SWITCH FOR INSTALLATION OF THIS KIT.

WARNING: FOR DSI UNITS - DO NOT USE THE WIRE SUPPLIED WITH THIS KIT. YOU MUST USE 12-14 AWG WIRE TYPE NM (ROMEX).

NOTE: Position the wall switch so that a maximum of 25 feet of wiring from the switch to the fireplace is used.

1.0 INSTALLATION INSTRUCTIONS FOR ALL MODELS EXCEPT GAS LOG SETS

1.1 INSTALLING THE WALL SWITCH

1. Install the wall switch in a convenient location. Run low voltage, 2-conductor wire from the wall switch into the base of the unit.

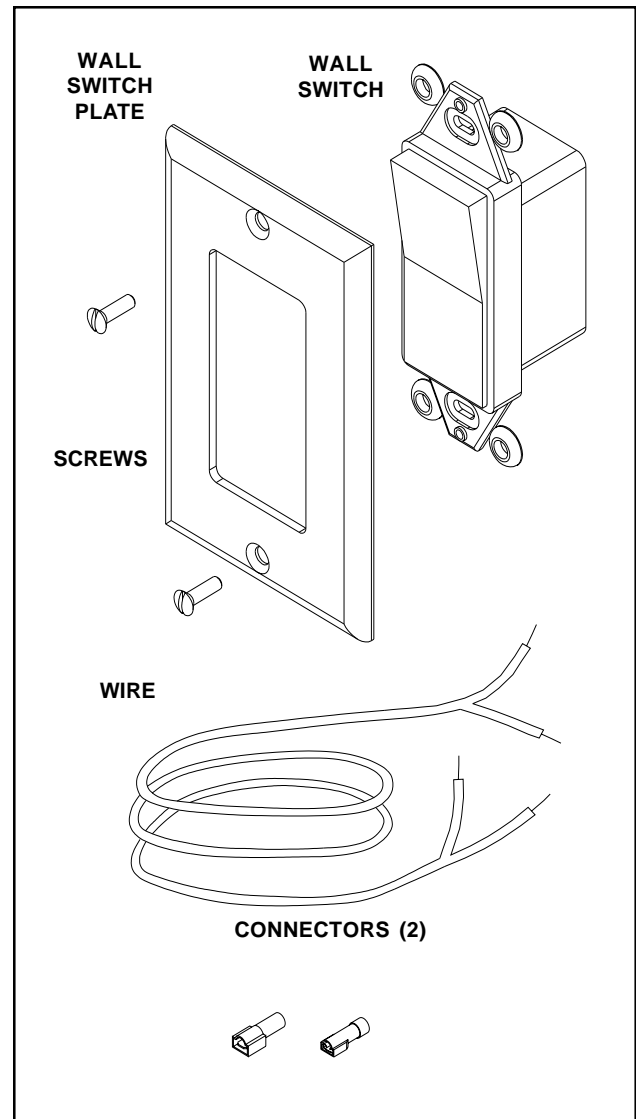


FIGURE 1

NOTE: For model ST-38GTV run the wall switch wires through the pre-punched hole in the end of the fireplace.

2. Find the red and brown pigtail wires (labeled "FOR USE WITH REMOTE OR WALL SWITCH ONLY") which are attached to fireplace's ON/OFF rocker switch located at the lower front corner of the unit. Connect these pigtail wires to the low voltage wires

that are attached to the wall switch by plugging in the male to female connectors. (Connectors are provided and must be attached to the wall switch wires). See Figure 2.

3. Turn the ON/OFF rocker switch to the "OFF" position.

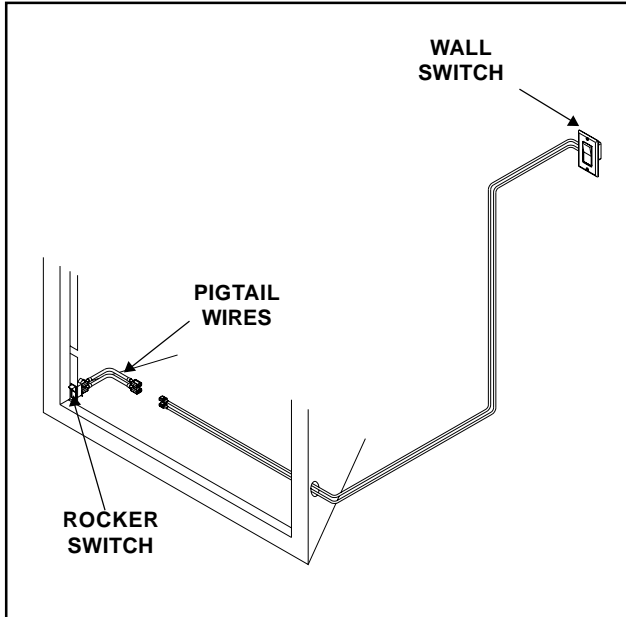


Figure 2

2.0 INSTALLATION INSTRUCTIONS FOR MODELS: CFL-18-NG, CFL-18-LP, CFL-24-NG, CFL-24-LP, CFL-30-NG, CFL-30-LP, ST-CFL

2.1 INSTALLING THE WALL SWITCH

1. Install the wall switch in a convenient location and run low voltage, 2-connector wire from the wall switch into the fireplace in which the gas log set is installed.
2. Find the male to female connectors provided and attach them to the ends of the wires that lead to the wall switch.
3. Find the red and brown pigtail wires labeled "FOR USE WITH REMOTE OR WALL SWITCH ONLY" which are attached to the unit's ON/OFF rocker switch. Do **NOT** disconnect the existing wires attached to this ON/OFF switch. See Figure 3.

4. Attach the pigtail wires to the ends of the wires from the wall switch by plugging in the male to female connectors.
5. Turn the unit's ON/OFF rocker switch to the "OFF" position.

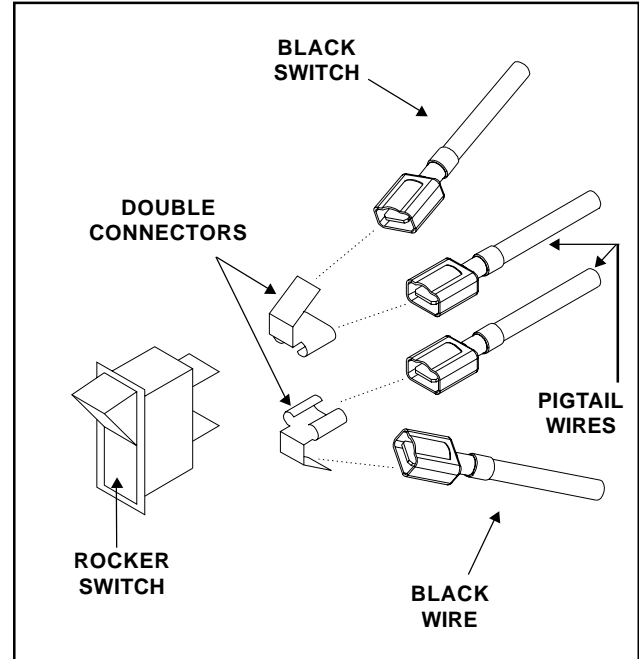


Figure 3

3.0 RECOMMENDED OPERATING PROCEDURES

1. Follow the lighting instructions section in the fireplace instruction manual. Be certain that the pilot light is on and the gas control valve is in the "ON" position. Be sure that the ON/OFF rocker switch is in the "OFF" position.
2. Turn the wall switch "ON" to light the burner.

4.0 REPLACEMENT PARTS AND CUSTOMER SERVICE

Replacement parts and service may be obtained through your dealer.

Free Manuals Download Website

<http://myh66.com>

<http://usermanuals.us>

<http://www.somanuals.com>

<http://www.4manuals.cc>

<http://www.manual-lib.com>

<http://www.404manual.com>

<http://www.luxmanual.com>

<http://aubethermostatmanual.com>

Golf course search by state

<http://golfingnear.com>

Email search by domain

<http://emailbydomain.com>

Auto manuals search

<http://auto.somanuals.com>

TV manuals search

<http://tv.somanuals.com>