

Manufactured by:



# NEW S-UMM Series Universal Monitor Mounts



The NEW S-UMM Series Universal Monitor Mounts provide a stable tilt/swivel assembly that can be mounted on any combination of Havis-Shields console or swing arm mounts. The new design uses a standard motion bracket assembly with a device specific interface plate. The interface plate can be mounted in different locations on the main assembly to allow for ideal positioning of the monitor.

The S-UMM series will phase out the previously manufactured C-3522 series of monitor mounts. The new S-UMM series provides identical function capability.

### How To Order Monitor Mounts:

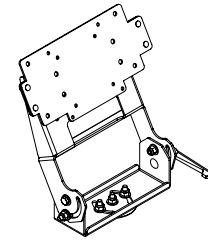
All monitor mount part numbers begin with "S-UMM-" followed by a configuration based on your manufacturer/model:

**S-UMM-**

Model Code	Devices by Make, Model
AMR-MTX	Amrel, Matrix DP860
CBN-VM2	Coban Technologies, VMDT II
DATA-911	Data911, D9-02-2009 (12.1" monitor)
DATA-911-84	Data911, M2C-8.4TR (8.4" monitor)
DLX-TX2	Datalux, TX200
DRT-M3	Duratab, M2 or M3
FSE-CAM	Fleet Safety Equipment Cam
L3-MV2	L3, Mobile Vu II
LDC-CF19	Ledco, CF-19 Docking Station
MOT-M80	Motorola, MW800 or MW810
PAN-CF2	Panasonic, CF-VDL01 or CF-VDL02 (PDRC)
PLA-LX1	Planar, LX1200-TI
POL-TRP	Polaris, Trooper II
ROBO-1205	RoboVu, 1205-PS or 1205-DLT
ROBO-VU3	RoboVu, 3
XPT-104	Xplore Technologies iX104

### New S-UMM Universal Monitor Mounts feature:

- Quick-Release knob to fold closed for storage
- Folding angles from flat to 40° past straight up for a total of 130° of travel
- Slotted for 85° swivel
- Used with Angled Series and Stout Mount Series consoles and C-TCB Bases



S-UMM-AMR-MTX  
S-UMM-DLX-TX2  
S-UMM-FSE-CAM

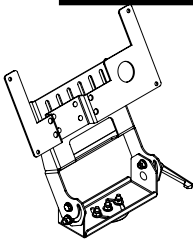
S-UMM-L3-MV2  
S-UMM-PLA-LX1  
S-UMM-XPT-104

Example:

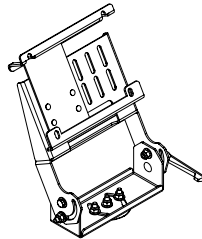
**S-UMM-**

**MOT-M80**

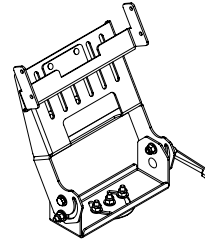
(Replaces p/n: C-3522-800)



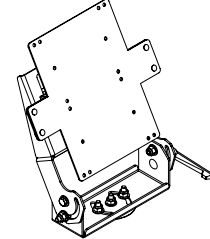
S-UMM-CBN-VM2



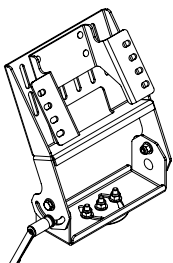
S-UMM-DATA-911



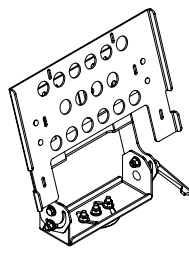
S-UMM-DATA-911-84



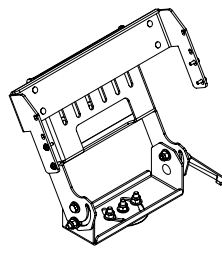
S-UMM-DRT-M3



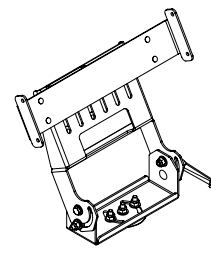
S-UMM-LDC-CF19



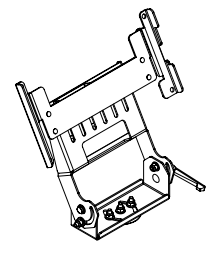
S-UMM-MOT-M80



S-UMM-PAN-CF2



S-UMM-POL-TRP



S-UMM-ROBO-1205

**See the Havis-Shields Catalog for complete mounting solutions!**

Download from [www.Somanuals.com](http://www.Somanuals.com). All Manuals Search And Download.

Manufactured by:

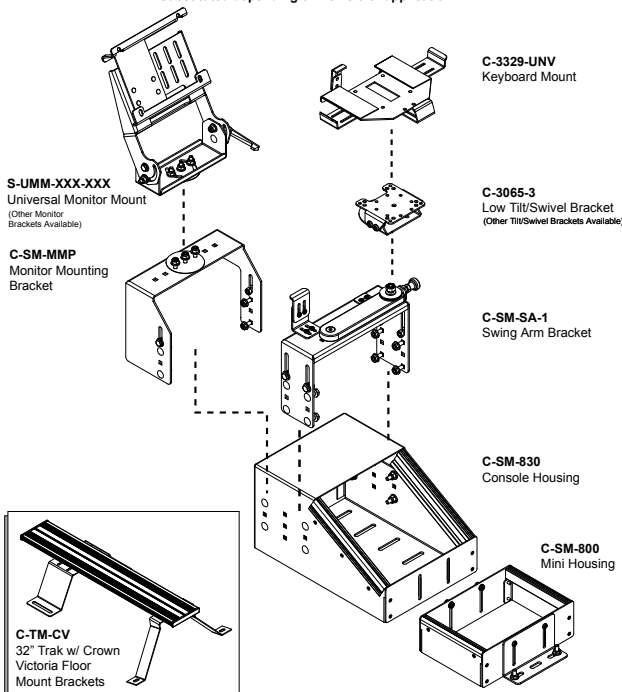


# NEW S-UMM Series Sample Applications



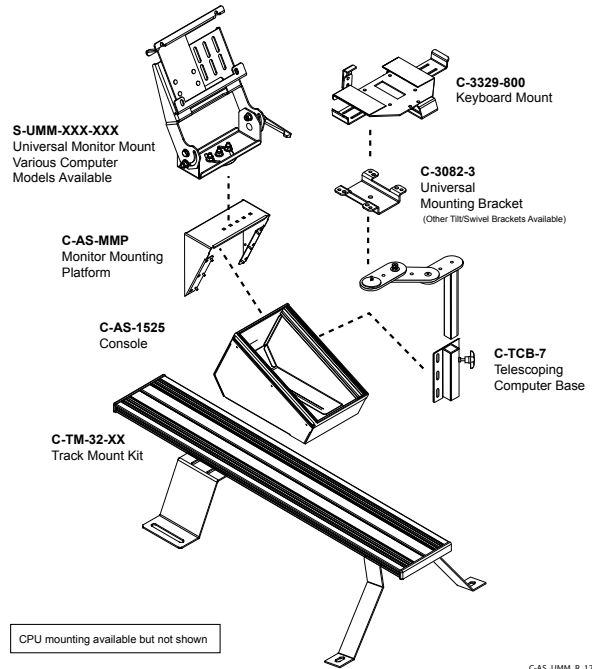
## Stout Mount™ 2 Piece Computer Mount

\*\*This is a sample configuration. These parts can be substituted depending on vehicle or application.\*\*



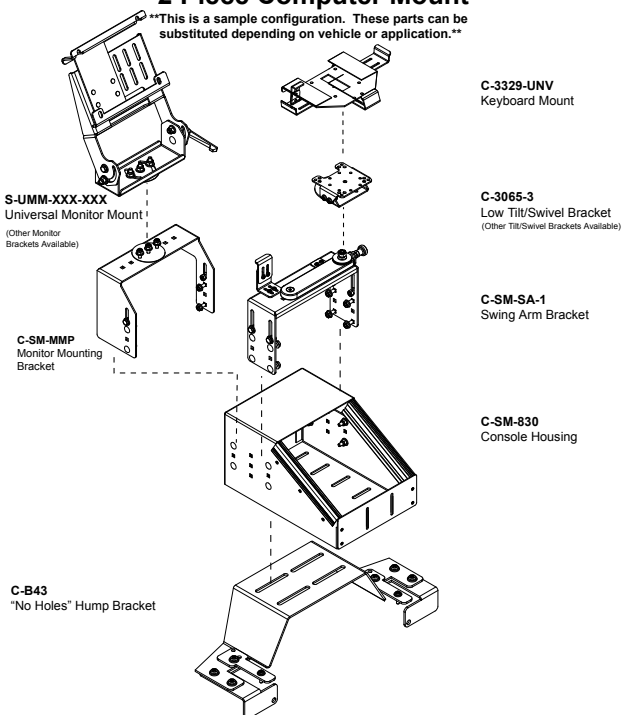
## Angled Series Console with 2 Piece Computer Mount

\*\*This is a sample configuration. These parts can be substituted depending on vehicle or application.\*\*



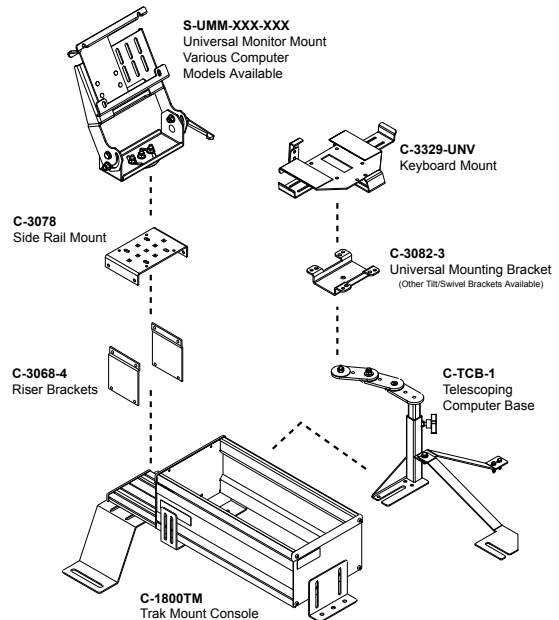
## Stout Mount™ 2006-2008 Impala 2 Piece Computer Mount

\*\*This is a sample configuration. These parts can be substituted depending on vehicle or application.\*\*



## Enclosed Series Console (C-TM Series) with 2 Piece Computer Mount

\*\*This is a sample configuration. These parts can be substituted depending on vehicle or application.\*\*



**See the Havis-Shields Catalog for complete mounting solutions!**

Download from [www.Somanuals.com](http://www.Somanuals.com). All Manuals Search And Download.

## Free Manuals Download Website

<http://myh66.com>

<http://usermanuals.us>

<http://www.somanuals.com>

<http://www.4manuals.cc>

<http://www.manual-lib.com>

<http://www.404manual.com>

<http://www.luxmanual.com>

<http://aubethermostatmanual.com>

Golf course search by state

<http://golfingnear.com>

Email search by domain

<http://emailbydomain.com>

Auto manuals search

<http://auto.somanuals.com>

TV manuals search

<http://tv.somanuals.com>