

## INSTALL INSTRUCTIONS C-VS-0309-F250

### VEHICLE SPECIFIC CONSOLE

### 1999-2007 FORD F-250, 350, 450, 550

#### TOOLS REQUIRED:

Ratcheting wrench  
Sockets Set  
Cutting tool (if necessary)

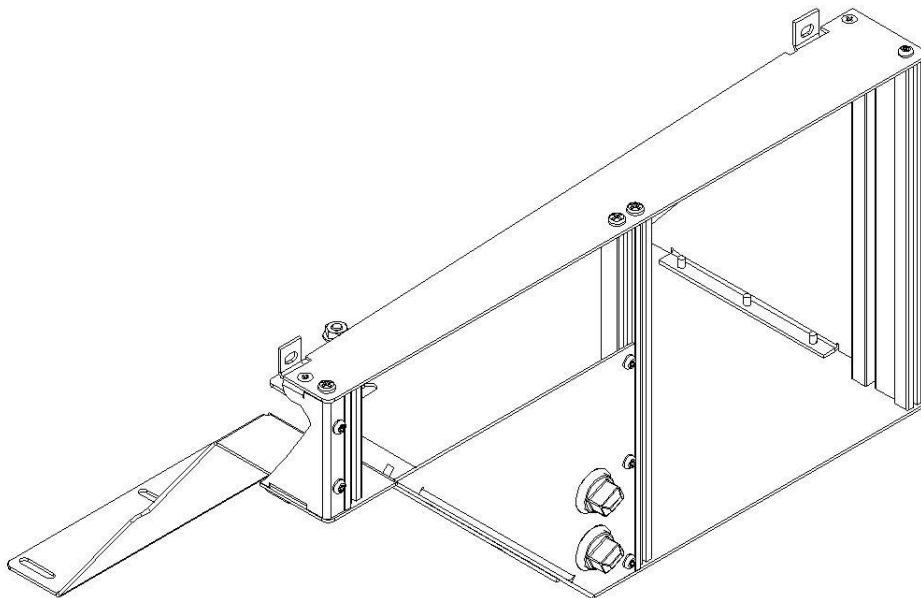
Screwdriver set  
T-20 torx bit

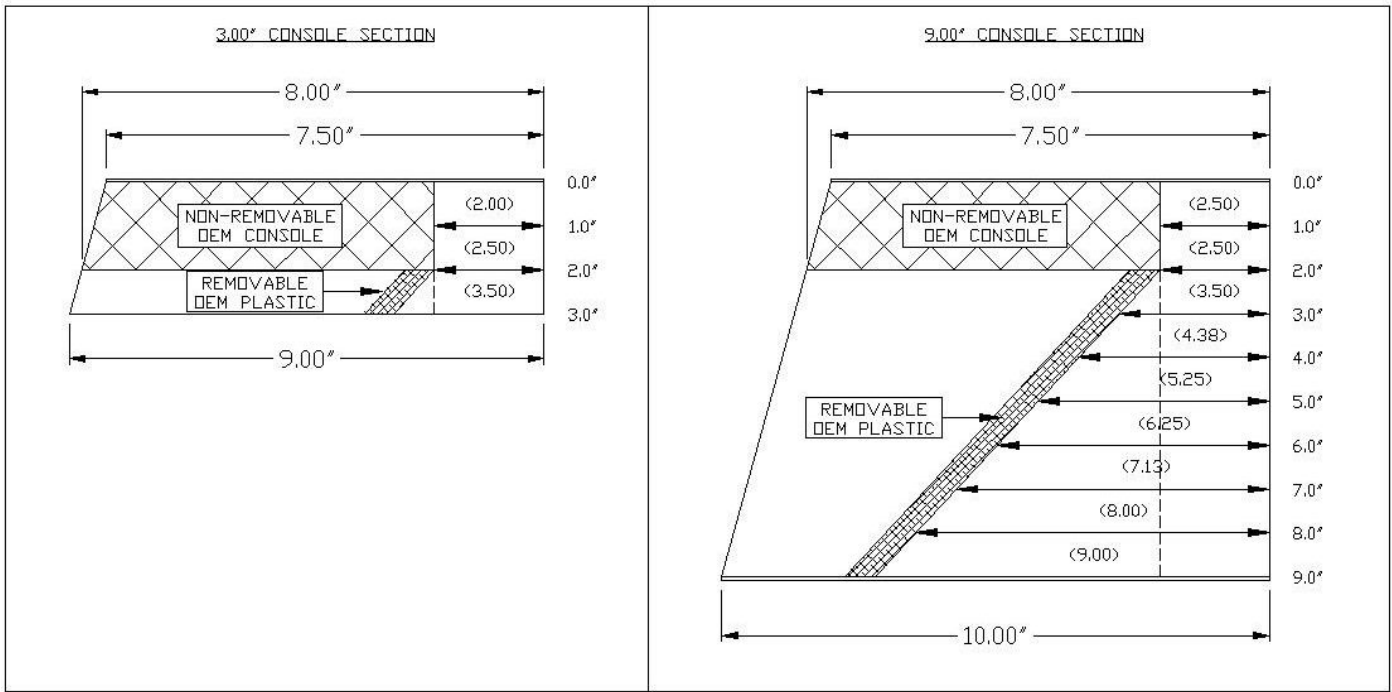
#### HARDWARE:

<u>QTY</u>	<u>DESCRIPTION</u>	<u>PART #</u>
2	1/4" x 1 1/4" Hex head bolt	GSM33003
2	1/4" Flat washer	GSM31005
2	1/4" Serrated nut	GSM30023
4	#8 x 1/4" Phillips flat head sheet metal	GSM33178
1	Torx Screw kit	C-HK-1

#### Always!

- Read all instructions before installing any Havis-Shields Equipment Corp products.
- Check for obstructions (Wire, brake lines, fuel tank, etc.) before drilling any holes!
- Use hardware provided with install kit
- For product support, visit the Install Instructions Section of our website at <http://havis.com/Installation/Installation.html>, email [technicalsupport@havis.com](mailto:technicalsupport@havis.com) or call 1-800-524-9900.





View of Ford F-Series dashboard



Remove upper portion of dashboard as shown above



Remove enough to expose hex screws holding lower portion of dashboard



Remove (2) upper hex screws located under the upper portion of the trim.



Remove (2) screws as shown above

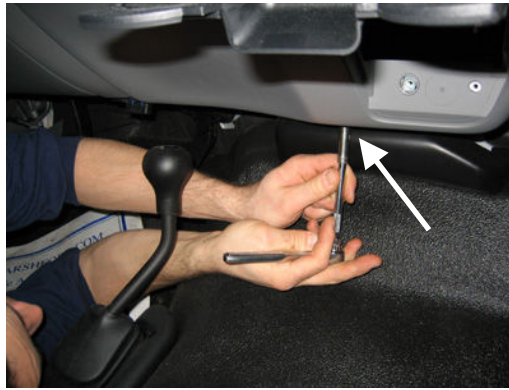


Remove plastic trim piece as shown above





Remove two hex screws on each side of cup holder bracket



Remove (2) screws on lower side of lower trim panel. *The insert this screw attaches to will be removed. See later instruction.*



Remove (2) hex screw as shown above. Notice location.



Remove lower trim panel



Remove plugs on optional brake control switch. *(If necessary)*



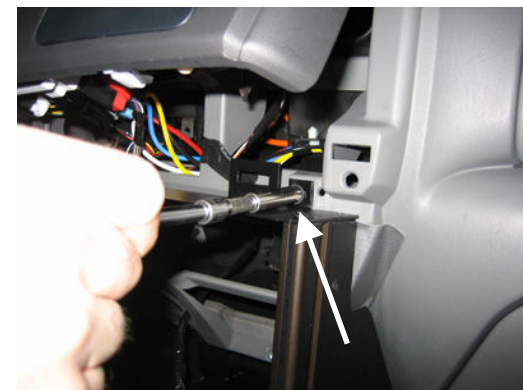
Remove brake control switch from lower trim panel. This will reinstall into console. (Equipment bracket sold separately)



Remove optional auxiliary switches from trim panel

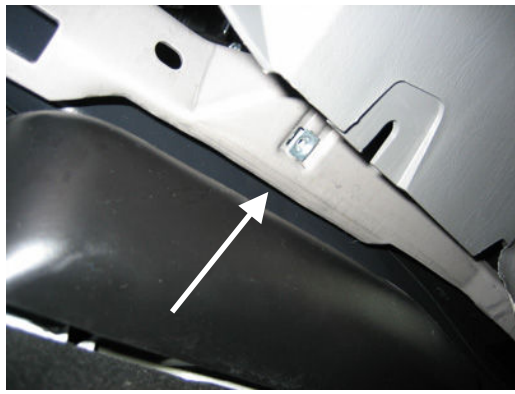


Current view of installation

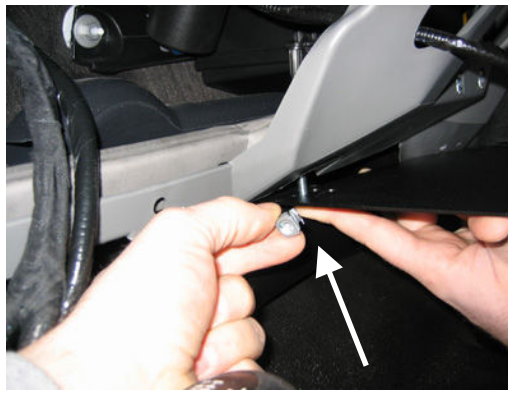


Attach upper portion of console to dash using screws that held top of lower trim panel





Remove this screw clip to allow a 1/4" bolt to fit into this hole



Attach lower portion of console using 1/4" x 1 1/4" hex bolt, washer and serrated nut



Complete installation of C-VS-0309-F250 console



Complete installation of C-VS-0309-F250 console w/ accessories (Sold separately)

- Brake controller/Aux Switching equipment bracket (C-EB30-F50-1P)
- Mic Clip Bracket (C-MCB w/ C-MC)
- Cup holder (C-CUP2-E-C with additional "L" bracket # CM93086 )

**Consolidator® • Kwik-Raze® • Collins Dynamics® • Kwik-Kit™ Prisoner Transports • K-9 Transports**

75 Jacksonville Rd • P.O. Box 2099 • Warminster, PA 18974 • 800.524.9900 / 215.957.0720(P) • 215.957.0729 (F)

**www.Havis.com**

## Free Manuals Download Website

<http://myh66.com>

<http://usermanuals.us>

<http://www.somanuals.com>

<http://www.4manuals.cc>

<http://www.manual-lib.com>

<http://www.404manual.com>

<http://www.luxmanual.com>

<http://aubethermostatmanual.com>

Golf course search by state

<http://golfingnear.com>

Email search by domain

<http://emailbydomain.com>

Auto manuals search

<http://auto.somanuals.com>

TV manuals search

<http://tv.somanuals.com>