

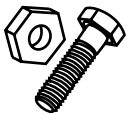
INSTALL INSTRUCTIONS C-TM-GMC HEAVY DUTY TRAK MOUNT 2000-2008 CHEVROLET/GMC SUBURBAN/TAHOE, YUKON XL/YUKON, SILVERADO/SIERRA

TOOLS REQUIRED:



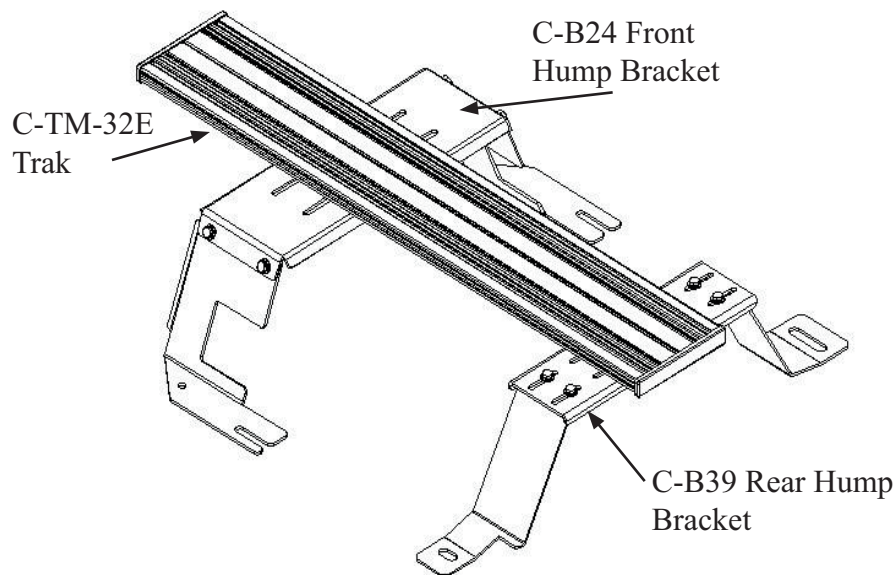
- Ratchet Wrench
- Sockets - 7/16", 11 mm, 15 mm
- Open End Wrench- 7/16"

HARDWARE:



QTY:	DESCRIPTION:	PART #:
1	Front transmission hump bracket	C-B24
1	Rear transmission hump bracket	C-B39
1	32" Extruded Trak mount	C-TM-32E
2	Extrusion end caps	CM93064
16	1/4" x 3/4" hex head bolt	GSM33001B
8	1/4" Serrated nut	GSM30023B
8	1/4" Flat Washers	GSM31005B

LINE DRAWING:



Always!

- Read all instructions before installing any Havis-Shields Equipment Corp products.
- Check for obstructions (Wire, brake lines, fuel tank, etc.) Before drilling any holes!
- Use hardware provided with install kit
- For product support: visit the Install Instructions Section of our website at <http://havis.com/Installation/Installation.html>, email technicalsupport@havis.com or call 1-800-524-9900.



Installation:



Remove OEM trim panel covering front inner seat bolts on driver and passenger sides.
Remove seat bolt nuts.
15 mm socket required.



Remove OEM trim panel covering rear inner seat bolts on driver and passenger sides.
Remove seat bolt studs.
11 mm socket required.



Loosely pre assemble front hump bracket with 1/4" x 3/4" bolts and flat washers, then position it under the OEM front seat brackets.



Loosely pre assemble rear hump bracket with 1/4" x 3/4" bolts and flat washers, then position it under the OEM rear seat brackets.



Determine the position of Trak desired and mark location with a pencil on the hump brackets.. Remove the front and rear hump bracket cross support.



Insert 1/4" x 3/4" bolts into the bottom of Trak.
Line up Trak on cross supports where previously marked.
Use 1/4" serrated nuts to attach.
Reattach Trak with cross supports back onto seat brackets.

Free Manuals Download Website

<http://myh66.com>

<http://usermanuals.us>

<http://www.somanuals.com>

<http://www.4manuals.cc>

<http://www.manual-lib.com>

<http://www.404manual.com>

<http://www.luxmanual.com>

<http://aubethermostatmanual.com>

Golf course search by state

<http://golfingnear.com>

Email search by domain

<http://emailbydomain.com>

Auto manuals search

<http://auto.somanuals.com>

TV manuals search

<http://tv.somanuals.com>