

INSTALL INSTRUCTIONS C-TCB-1

TELESCOPING COMPUTER BASE

1992-1997 CHEVROLET CAPRICE, 1997-2002 LUMINA & 1995-2008 FORD CROWN VIC

TOOLS REQUIRED:

Ratcheting Wrench
Standard & Metric Socket Set

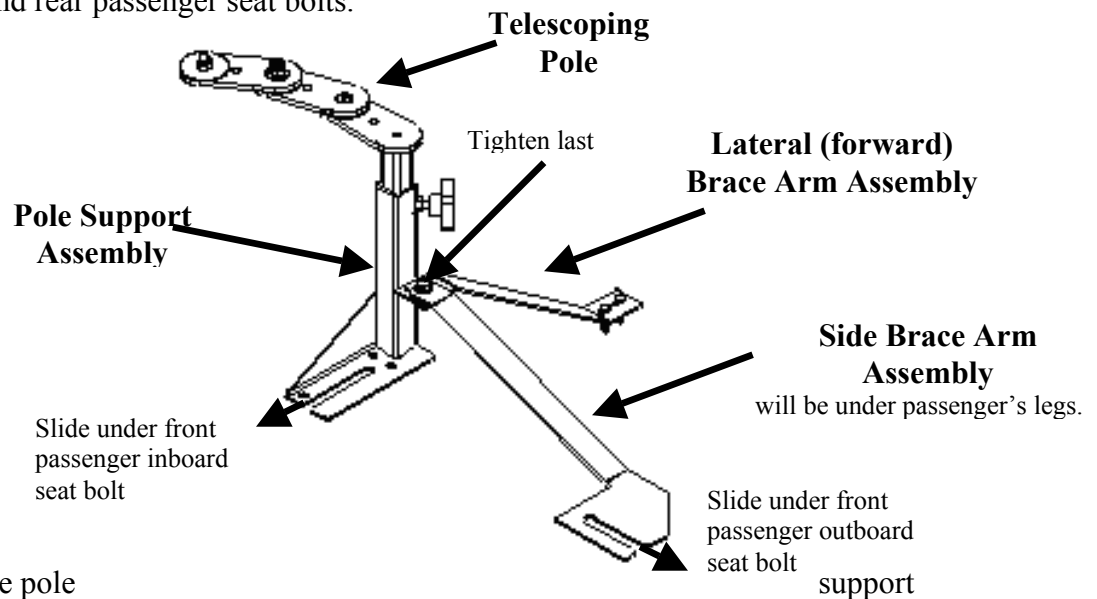
Power Drill
Drill Bit Set

HARDWARE:

<u>QTY</u>	<u>DESCRIPTION</u>	<u>PART #</u>
2	1/4" x 3/4" Self tapping screw	GSM33060-1
1	5/16-18 Nylock Nut	GSM30017
1	5/16-18 x 1" Hex head bolt	GSM33012
2	5/16" Flat Washers	GSM31006

SUB ASSEMBLY:

1. Confirm receipt of all parts.
2. Loosen front and rear passenger seat bolts.



INSTALLATION:

1. Slide base of the pole assembly under the front inboard (closest to the transmission hump) seat base. Slide the side brace arm under the front outboard (closest to the door) seat base.
2. Attach side and forward brace arms to pole support assembly with 5/16" x 1" screw. (Do not tighten yet). Align the holes of the seat base, the pole support assembly, side brace arm and floor holes. Firmly tighten all four seat bolts without over tightening.
3. Using two 1/4" x 3/4" self tapping screws, drill holes and attach lateral (forward) brace arm to vehicle floor or transmission hump.
4. Tighten the hex head screw that attaches the brace arms to the telescoping post when finished.

Free Manuals Download Website

<http://myh66.com>

<http://usermanuals.us>

<http://www.somanuals.com>

<http://www.4manuals.cc>

<http://www.manual-lib.com>

<http://www.404manual.com>

<http://www.luxmanual.com>

<http://aubethermostatmanual.com>

Golf course search by state

<http://golfingnear.com>

Email search by domain

<http://emailbydomain.com>

Auto manuals search

<http://auto.somanuals.com>

TV manuals search

<http://tv.somanuals.com>