

## INSTALL INSTRUCTIONS C-VS-1300-TBZ VEHICLE SPECIFIC CONSOLE 2006-2008 CHEVROLET TRAILBLAZER

### TOOLS REQUIRED:

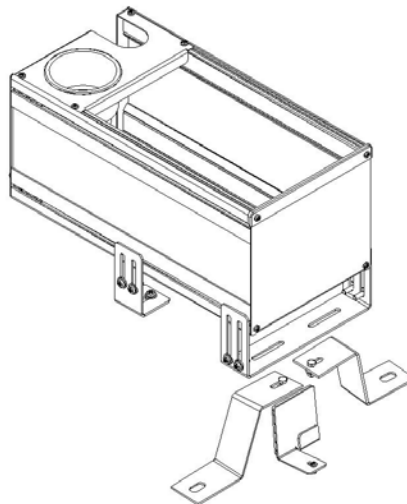
- |   |   |
|---|---|
| <ul style="list-style-type: none"> <li>❑ Phillips screwdriver</li> <li>❑ T-15 Torx driver</li> <li>❑ T-20 Torx driver</li> <li>❑ 7/16 wrench</li> <li>❑ Ratchet wrench</li> <li>❑ 7/16" socket</li> </ul> | <ul style="list-style-type: none"> <li>❑ 15mm socket</li> <li>❑ Jig Saw or plastic cutting tool</li> <li>❑ Eye goggles</li> </ul> |
|---|---|

### HARDWARE:

<u>QTY</u>	<u>DESCRIPTION</u>	<u>PART #</u>
1	Trailblazer vehicle specific console	C-VS-1300-TBZ-H
1	Bail bracket	C-B1
1	Rear hump bracket set	C-B27
1	Duct block off plate	CM001516
2	Side "L" brackets	CM93594
1	Console hardware kit	C-HK
1	Torx screw kit	C-HK-1
1	#10x1/2 PPHSMS (Block off plate screw)	GSM33194

### Always!

- Read all instructions before installing any Havis-Shields Equipment Corp products.
- Disconnect the vehicle battery. Removing seat bolts on some vehicles may give the vehicles computer a false reading, causing a warning light on the instrument cluster. This requires the vehicles' computer to be reset with a vehicle diagnostics tool.
- **Check for obstructions (Wire, brake lines, fuel tank, etc.) before drilling any holes!**
- Use only hardware provided with install kit.
- For product support, visit the Install Instructions Section of our website at <http://havis.com/Installation/Installation.html>, email [technicalsupport@havis.com](mailto:technicalsupport@havis.com) or call 1-800-524-9900 and ask for technical support.





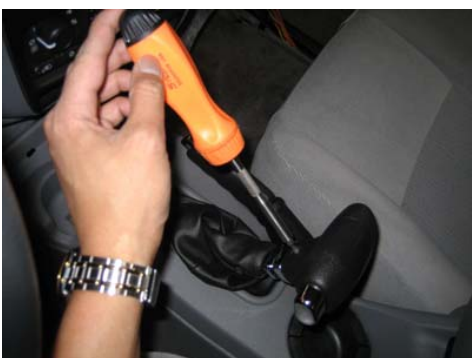
Remove six phillips screws that hold inner storage pocket. Remove storage pocket and arm rest assembly.



Remove main console screws.



Unplug wires for rear controls.



Remove shift lever "T" knob. (T15 Torx)



Measure approximately 3 1/2" back from shift lever boot.



Mark Measurement with tape.



Position shift lever in drive or further back. Remove entire console assembly.



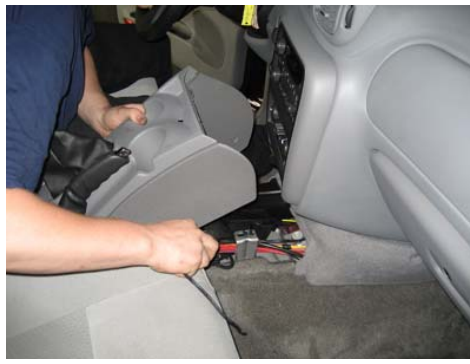
Note: In order to remove console, you must reach up inside the shifter boot and disconnect the traction control plug.



Remove front trim to aid in running additional wiring.



Extend cut line on console sides.  
Carefully cut off back console section. (Jig saw, Air saw, Dremel or Air drill)



Carefully reinstall front console section.  
(Reattach Traction Control Plug)



Reattach shift lever "T" handle.



Remove inboard rear seat nuts. (15mm) Place new rear hump brackets on seat studs under seat brackets.



Attach bail bracket onto rear hump brackets with  $\frac{1}{4} \times \frac{3}{4}$  bolts.  
**Note:** You may need to bend hump brackets slightly forward.



Place duct block off plate in duct opening and screw down with #10 x  $\frac{1}{2}$ " sheet metal screw.



Attach "L" mount brackets to new console lower side tracks with  $\frac{1}{4} \times \frac{1}{2}$  bolts and washers.  
**\*\*Leave loose to aid in positioning.**



Place new console between seats and position "L" mount brackets onto OEM bracket. Attach with  $\frac{1}{4} \times \frac{3}{4}$  bolts.



Position console housing as desired and tighten all mount hardware.  
**\*\*Check shift lever in rear position.**



Finish wiring and complete installation

***Consolidator® • Kwik-Raze® • Collins Dynamics® • Kwik-Kit™ Prisoner Transports • K-9 Transports***  
75 Jacksonville Rd • P.O. Box 2099 • Warminster, PA 18974 • 800.524.9900 / 215.957.0720(P) • 215.957.0729 (F)  
***www.Havis.com***

## Free Manuals Download Website

<http://myh66.com>

<http://usermanuals.us>

<http://www.somanuals.com>

<http://www.4manuals.cc>

<http://www.manual-lib.com>

<http://www.404manual.com>

<http://www.luxmanual.com>

<http://aubethermostatmanual.com>

Golf course search by state

<http://golfingnear.com>

Email search by domain

<http://emailbydomain.com>

Auto manuals search

<http://auto.somanuals.com>

TV manuals search

<http://tv.somanuals.com>