

INSTALL INSTRUCTIONS C-VS-700-EXPL 2002-2005 FORD EXPLORER

TOOLS REQUIRED:

Phillips Screw Driver
Power Drill

1/8" Drill Bit

HARDWARE:

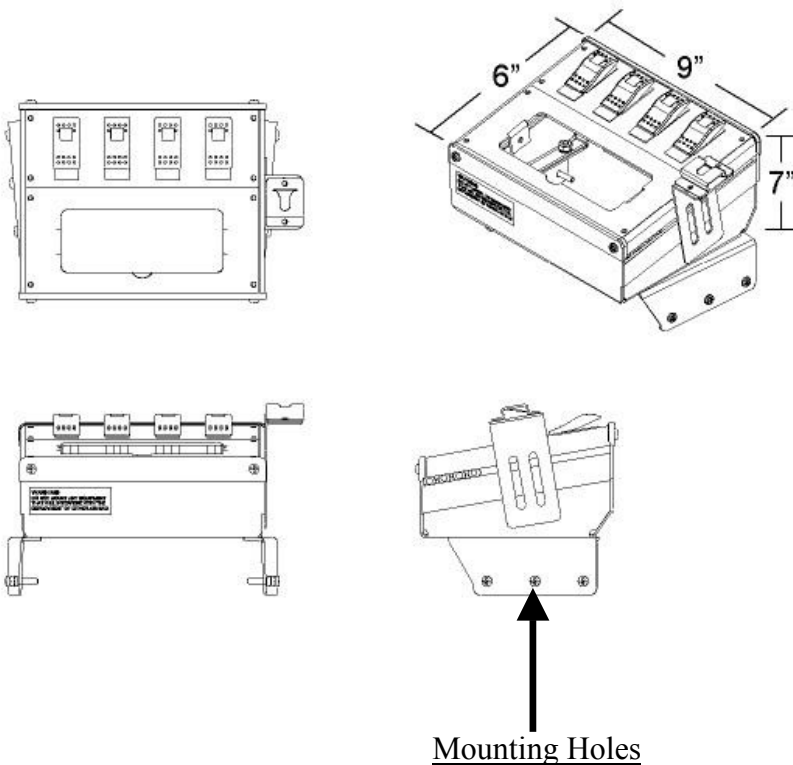
QTY: **DESCRIPTION:**
6 #10 x 3/4" Sheet metal screws

PART #:
GSM33195

INSTALLATION:

1. Mount Explorer C-VS Console:

- Place C-VS Console over top O.E.M console tight to dashboard.
- Mark (6) mounting holes.
- Drill 1/8" pilot hole through plastic trim.
- Mount VS-Console with #10 X 3/4" Sheet metal screws.



Free Manuals Download Website

<http://myh66.com>

<http://usermanuals.us>

<http://www.somanuals.com>

<http://www.4manuals.cc>

<http://www.manual-lib.com>

<http://www.404manual.com>

<http://www.luxmanual.com>

<http://aubethermostatmanual.com>

Golf course search by state

<http://golfingnear.com>

Email search by domain

<http://emailbydomain.com>

Auto manuals search

<http://auto.somanuals.com>

TV manuals search

<http://tv.somanuals.com>