

## INSTALL INSTRUCTIONS KK-S-ST-SS

### SLIDE OUT SIDE STEP

### 2004-2008 SPRINTER VAN

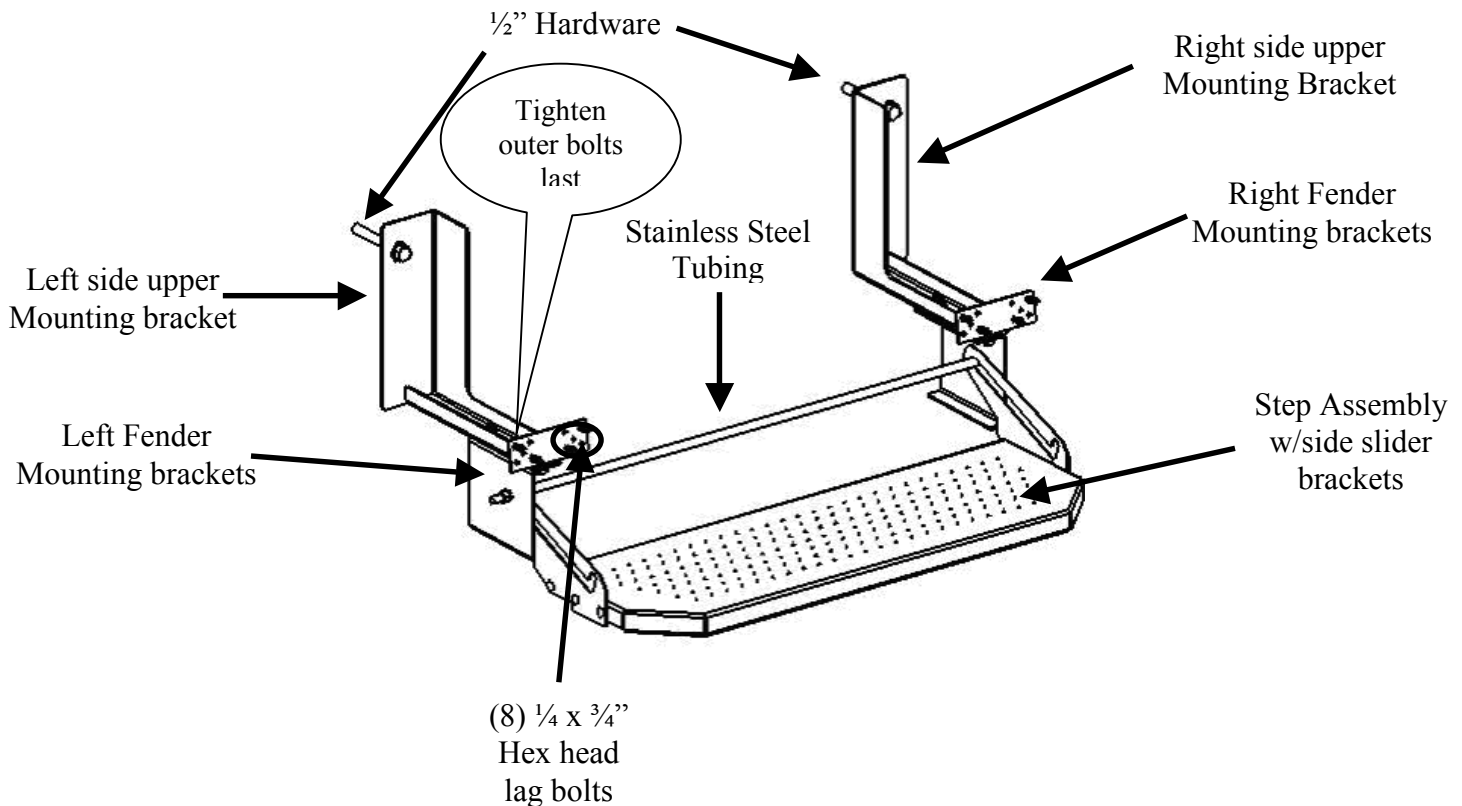
**TOOLS REQUIRED:**

Power Drill  
Drill bit Set  
Ratcheting wrench

Open-end wrench set  
Standard socket set

**HARDWARE:**

<u>QTY</u>	<u>DESCRIPTION</u>	<u>PART #</u>
2	1/2-13 x 4" Hex head bolt	GSM33056
2	1/2-13 Nylock nut	GSM30020
4	1/2" Flat washer	GSM31009
4	3/8-16 x 1" Hex head bolt	GSM33028
8	3/8" Flat washer	GSM31007
4	3/8" Lock washer	GSM31028
4	3/8-16 Hex nut	GSM30008
8	1/4"x 3/4" Hex head lag bolt	GSM33060-1
1	Left side upper mounting bracket	110-000126
1	Right side upper mounting bracket	110-000148
2	Left/Right fender mounting brackets	110-000149
1	Step Assembly	



## INSTALLATION:

### 1. MOUNT SIDE STEP:

- Locate (2) - 1/2" holes located on passenger side in the vehicle frame channel under side door (Approx 30" apart).
- Mount the Left & Right upper mounting brackets using 1/2-13 x 4" bolts, washers, and Nylock nuts through the located 1/2" holes in vehicle frame.
- Attach step assembly to the Left & Right upper mounting brackets using 3/8-16 x 1" bolts, flat washers, lock washers and nuts. Be sure to attach Left/Right Fender mounting brackets to the outer holes on the assembly.
- Tighten all hardware with the exception of hardware containing Left/Right mounting brackets. *See drawing*
- With Left/Right outer mounting brackets positioned drill 5/32" holes where the brackets meet the vehicles inner fender wall.
- Secure to vehicles inner fender using (8) 1/4" x 3/4" Hex head lag bolts.

*Note: Extra holes are provided for alternative applications. Only (8) bolts are necessary for standard application.*

- Tighten the remaining hardware and check that step functions properly.



## Free Manuals Download Website

<http://myh66.com>

<http://usermanuals.us>

<http://www.somanuals.com>

<http://www.4manuals.cc>

<http://www.manual-lib.com>

<http://www.404manual.com>

<http://www.luxmanual.com>

<http://aubethermostatmanual.com>

Golf course search by state

<http://golfingnear.com>

Email search by domain

<http://emailbydomain.com>

Auto manuals search

<http://auto.somanuals.com>

TV manuals search

<http://tv.somanuals.com>