

## INSTALLATION INSTRUCTIONS KK-C-ST-SS

### SIDE SLIDE-OUT STEP

### 1997-2007 CHEVROLET FULL SIZE VAN

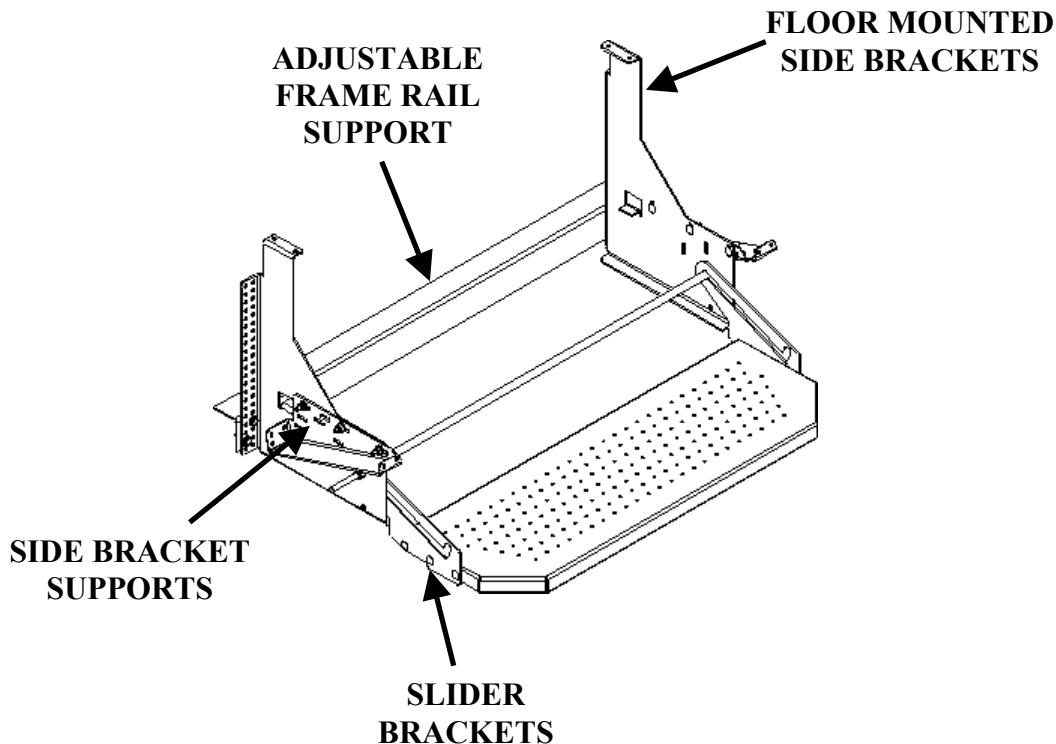
**TOOLS NEEDED:**

Open End Wrench Set  
Allen Key Set  
Ratcheting Wrench  
Power Drill

Drill Bit Set  
Marking Tool  
Safety Glasses  
Standard Socket Set

**HARDWARE:**

<u>QTY</u>	<u>DESCRIPTION</u>	<u>PART #</u>
8	1/4" Hex Nuts	GSM30005
8	1/4-20 x 1" Hex Head Bolt	GSM34002
16	1/4" Flat Washer	GSM31005
8	1/4" Lock Washer	GSM31026
4	1/4" x 3/4" Hex Head Lag Bolt	GSM33060-1



## **SUBASSEMBLY:**

1. Bolt floor mounted side brackets to the side bracket supports using the views on the following page that is vehicle specific. Loosely attach using 1/4" x 3/4" carriage bolts, flat washers, lock washers, and hex nuts.
2. Determine height of adjustable frame rail support.
  - Hold floor mounted side bracket to the underside of the van floor between the frame and the fender to determine the height.
  - With the specific height determined loosely attach using 1/4-20 x 1" hex head bolts, flat washers, lock washers and hex nuts.
  - This will square the backside of the step.

## **INSTALLATION:**

### **1. PREP THE VAN:**

- Pull up carpet along the side door of the van. To do this you must remove the plastic step well trim piece.
- Locate the center of the side doors and make a visible mark in order to center the side step.

### **2. BOLT STEP ASSEMBLY TO VAN:**

*Note: The frame rail support will not sit flush to frame rail on van.*

- Position assembly tight to floor of van with frame rail support tight to frame of van. Mark and drill (4) 1/4" holes through floor of van using holes in floor mounted side brackets as a template.

*Note: side bracket supports may have to be temporarily removed in order to properly position step between fender and frame rail.*

- Position step assembly then loosely reattach side bracket supports.
- Bolt step to floor using 1/4-20 x 1" hex head bolts, flat washers, lock washers and hex nuts.

### **3. FINAL INSTRUCTIONS:**

- Loosen side bracket supports and position tight to fender lip.
- Mark and drill (4) 1/4" holes into fender lip using side bracket supports as a template.
- Attach side bracket supports to fender lip using 1/4-20 x 1" hex head bolts, flat washers, lock washers and hex nuts.
- Check that step slides smoothly and goes to the closed position. Replace carpet and step sill trim.

## Free Manuals Download Website

<http://myh66.com>

<http://usermanuals.us>

<http://www.somanuals.com>

<http://www.4manuals.cc>

<http://www.manual-lib.com>

<http://www.404manual.com>

<http://www.luxmanual.com>

<http://aubethermostatmanual.com>

Golf course search by state

<http://golfingnear.com>

Email search by domain

<http://emailbydomain.com>

Auto manuals search

<http://auto.somanuals.com>

TV manuals search

<http://tv.somanuals.com>