

## INSTALL INSTRUCTIONS

### C-VS-2400-CHGR & C-VS-2400-CHGR-1

#### 2006 – 2007 DODGE CHARGER and MAGNUM

#### 2008 DODGE CHARGER and MAGNUM

**TOOLS REQUIRED:**

Ratcheting wrench

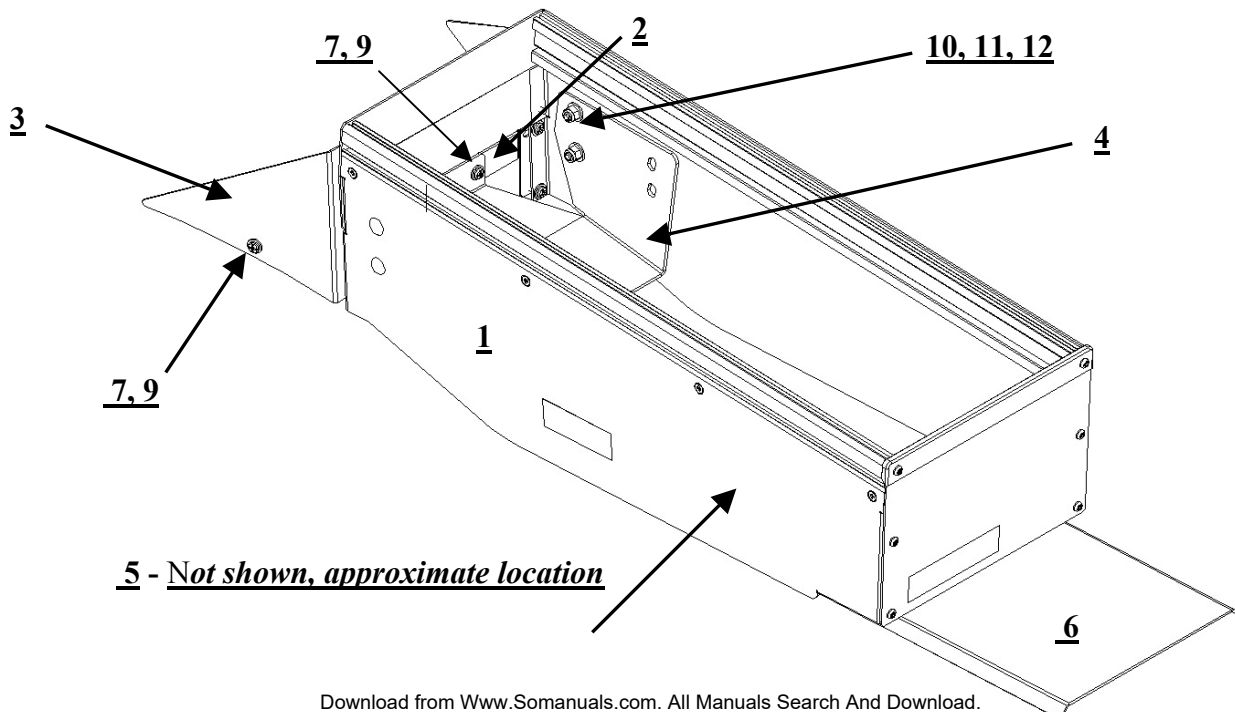
Sockets - 7/16", 10mm, 8mm

Screwdriver set

T-20 Torx bit

**HARDWARE:**

<u>ITEM</u>	<u>QTY</u>	<u>DESCRIPTION</u>	<u>PART#</u>
1	1	Console housing assembly	C-VS-2400-CHGR-H
2	1	Front support bracket	CM001593
3	2	Side trim panels - 2006 – 2007 Charger	CM001598-D and P
3	2	Side trim panels - 2008 Charger	CM002164 and CM002165
4	1	Front floor bracket	CM001595
5	1	Sensor guard	CM001638
6	1	Rear floor panel	CM001642
7	6	#10 x 1/2" machine screws	GSM33118
8	2	#10 keps nuts	GSM30028
9	4	#10 flat washers	GSM31003
10	4	1/4" flat washer	GSM31005
11	4	1/4" x 1/2" carriage bolt	GSM31999
12	4	1/4" Nylock nut	GSM30016
	2	1/4" x 3/4" self threading bolt	GSM33060-1
	2	1/4" x 1" fender washer	GSM31014
	2	6mm hex nut	GSM30201
	1	1-1/16" diameter plug	GSM20017-1
	1	Hardware Kit	C-HK
	1	Torx Hardware Kit	C-HK-1



## Always!

- Read all instructions before installing any Havis-Shields Equipment Corp products.
- Check for obstructions (Wire, brake lines, fuel tank, etc.) before drilling any holes!
- Use hardware provided with install kit
- For product support, visit the Install Instructions Section of our website at <http://havis.com/Installation/Installation.html>, email [technicalsupport@havis.com](mailto:technicalsupport@havis.com) or call 1-800-524-9900.



2006-2007 Charger OEM Setup



Remove OEM track/plate & plastic trim covering

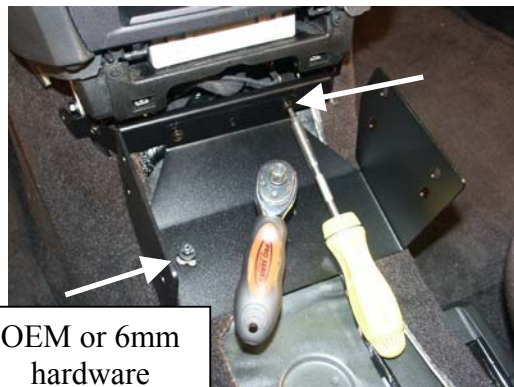


Loosely attach, (driver side 1st), front support bracket to OEM bracket located under radio controls. Use #10 x 1/2" screw & keps nut (Item 2, 7, 8, 9)

**Note: Due to some slight differences on the OEM floor mount bracket, tabs with mounting hole may need to be bent slightly to accommodate the console front support bracket. Bending these tabs can easily be done using pliers.**



Attach passenger side, and tighten hardware on both sides (Item 2, 7, 8, 9)



OEM or 6mm hardware

Attach front floor bracket to front support bracket and floor of vehicle using #10 x 1/2" machine screws, washers, and reuse OEM floor nuts or supplied 6mm nuts and fender washers (Item 2, 4, 7, 9)



Note. To avoid crushing harness route cable over top of floor bracket





Position sensor guard to align with OEM floor nutserts  
(Item 5)



Position rear-floor panel, continue to align with OEM floor nutserts  
(Item 6)



Place console housing assembly, continuing to align with OEM floor nutserts (Item 1)



Using OEM rear bolts or 1/4" x 3/4" self threading bolts, loosely attach main console housing, sensor guard, and rear cover panel to floor (8mm or 7/16" socket)



Attach main console housing to previously installed floor bracket using 1/4" carriage bolts and nylock nuts. Use a scribe or awl to help align (7/16" socket, awl)



Tighten all hardware (7/16", 8mm, 10mm socket)



2006 - 07



2008

Attach side trim panels using #10 x 1/2" machine screw & washer (Phillips screwdriver) (Item 3)



Wire and mount equipment controls

## Free Manuals Download Website

<http://myh66.com>

<http://usermanuals.us>

<http://www.somanuals.com>

<http://www.4manuals.cc>

<http://www.manual-lib.com>

<http://www.404manual.com>

<http://www.luxmanual.com>

<http://aubethermostatmanual.com>

Golf course search by state

<http://golfingnear.com>

Email search by domain

<http://emailbydomain.com>

Auto manuals search

<http://auto.somanuals.com>

TV manuals search

<http://tv.somanuals.com>