

INSTALL INSTRUCTIONS C-TM-IMP-1

HEAVY DUTY TRAK MOUNT

2006-2009 CHEVROLET IMPALA

TOOLS REQUIRED:

Ratcheting wrench
Standard Socket set

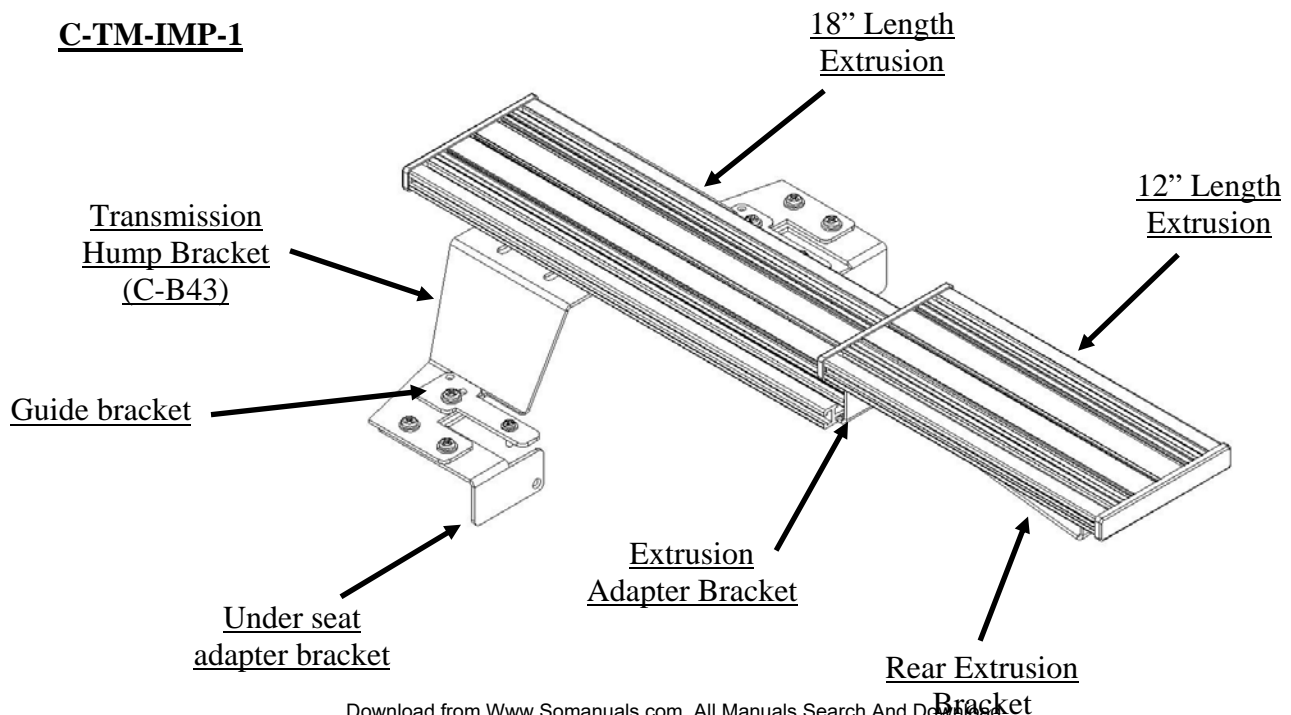
Open-end wrench set
Screwdriver Set

HARDWARE:

QTY	DESCRIPTION	PART #
1	18" Length Extrusion	CM93055-2
1	12" Length Extrusion	CM93055-1
1	Transmission Hump Bracket (no holes drilled)	C-B43
1	Rear Extrusion Bracket	CM001380
1	Extrusion Adapter Bracket	CM001379
12	1/4" Serrated Nut	GSM30023
12	1/4 x 3/4" Hex Head Bolt	GSM33001
6	1/4" x 3/4" Phillips pan head machine screws	GSM33124
6	1/4" Flat washers	GSM31000
2	#10 x 3/4" Phillips pan head machine screws	GSM33119
6	1/4" x 3/4" Hex Head Lag Bolts	GSM33060-1

Always!

- Read all instructions before installing any Havis-Shields Equipment Corp products.
- Check for obstructions (Wire, brake lines, fuel tank, etc.) before drilling any holes!
- Use hardware provided with install kit
- For product support, visit the Install Instructions Section of our website at <http://havis.com/Installation/Installation.html>, email technicalsupport@havis.com or call 1-800-524-9900.



SUB ASSEMBLY:

1. Confirm receipt of all hardware and components.
2. Remove partial OEM cup-holder/console located on the transmission hump.

Note: Do not remove metal housing attached to this partial console. This piece is meant to strengthen the vehicles crumple zone and must not be removed.

INSTALLATION:



View of partial OEM console removed



Attach rear extrusion bracket (CM001380) to vehicle using factory screws from, "partial console," removal.



Sub-assembly C-B43 (only the piece shown), 18" portion of trak, extrusion adapter bracket, rear extension bracket and 12" portion of trak



Attach C-B43 transmission hump bracket to 18" section of extrusion using (4) 1/4" x 3/4" bolts and serrated nuts. (7/16" Wrench)



Attach extrusion adapter bracket to 18" section of extrusion using (2) 1/4" x 3/4" bolts and serrated nuts. (7/16" Wrench)



Attach the extrusion adapter bracket to the 12" section of extrusion using (2) 1/4" x 3/4" bolts and serrated nuts. (7/16" Wrench)



Cut floor mat, next to the seat rail to allow Under seat support bracket to slide under seat rail



Slide under seat support brackets into position as shown



Slide guide brackets into seat rail and loosely attach #10 x 3/4" Phillips pan head machine screws



1. Position sub-assembled transmission hump bracket, 18" portion of trak, extrusion adapter bracket, rear extension bracket and 12" portion of trak to the under seat & guide brackets.

2. Loosely attach assembly using 1/4-20 x 3/4" Phillips machine screws and washers.



Attach rear extension bracket to 12" portion of extrusion using (2) 1/4-20 x 3/4" bolts and serrated nut



Tighten all loose hardware. Insert necessary hardware for consoles and accessories and attach plastic end caps

C-TM-IMP-1 installed



C-TM-IMP-1 installed w/ console, computer mounts and accessories. (Sold separately)



Free Manuals Download Website

<http://myh66.com>

<http://usermanuals.us>

<http://www.somanuals.com>

<http://www.4manuals.cc>

<http://www.manual-lib.com>

<http://www.404manual.com>

<http://www.luxmanual.com>

<http://aubethermostatmanual.com>

Golf course search by state

<http://golfingnear.com>

Email search by domain

<http://emailbydomain.com>

Auto manuals search

<http://auto.somanuals.com>

TV manuals search

<http://tv.somanuals.com>