

INSTALL INSTRUCTIONS C-TCB-28

1997-2007 DODGE DAKOTA

TELESCOPING COMPUTER BASE

TOOLS REQUIRED:

Ratcheting wrench
3/8" Metric Socket Set
T-20 torx bit
3/8" Standard Socket Set

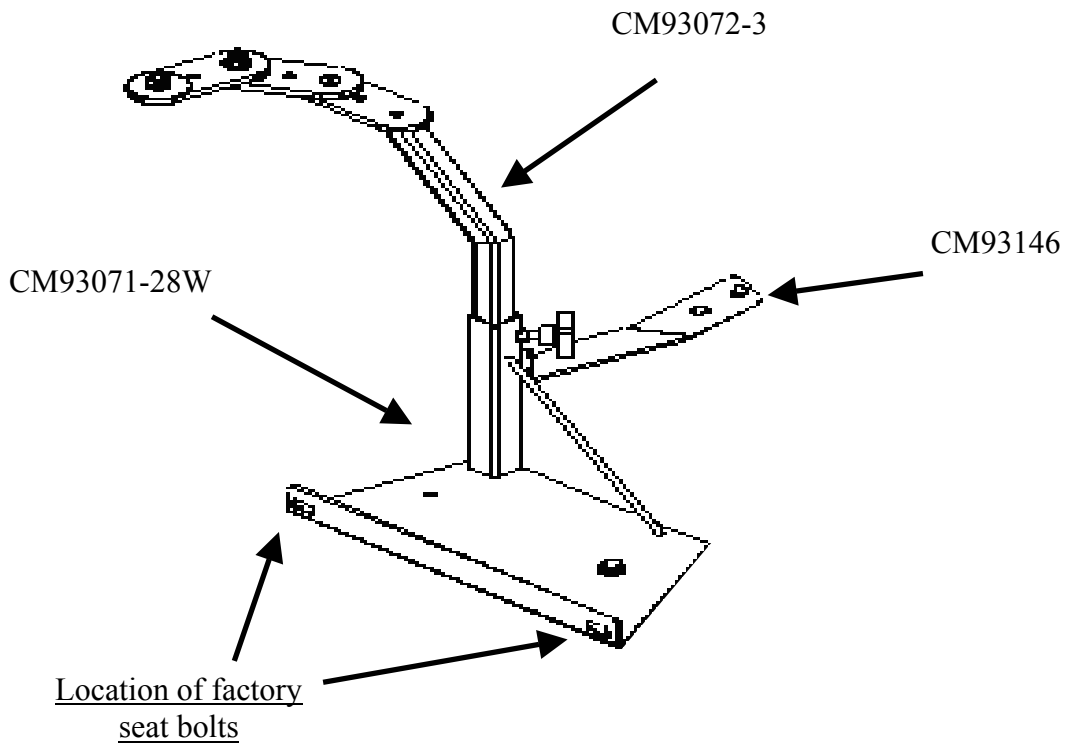
Combination wrench set
Powered Drill
Drill Bit set

HARDWARE:

<u>QTY</u>	<u>DESCRIPTION</u>	<u>PART #</u>
4	1/4" x 1" Hex head lag bolt	GSM33060
1	5/16" Flat Washer	GSM31006
1	5/16" Nylock Nut	GSM30017
1	"Z" Bracket Support	CM002001
1	1/4" x 3/4" Carriage Bolt	GSM32000
1	1/4" Serrated Nut	GSM30023
1	Pole Support Assembly	CM93071-28W
1	Lateral Support Brace	CM93146
1	Inner Telescoping Pole Assembly	CM93072-3

Always!

- Disconnect the vehicles' battery. Removing seat bolts on some vehicles may give the vehicles computer a false reading leading to warning lights on dash. This requires the vehicles' computer to be reset.
- Read all instructions before installing any Havis-Shields Equipment Corp products.
- Check for obstructions (Wire, brake lines, fuel tank, etc.) before drilling any holes!
- Use hardware provided with install kit.
- For product support, visit the Install Instructions Section of our website at <http://havis.com/Installation/Installation.html>, email technicalsupport@havis.com or call 1-800-524-9900.



Remove front bolts on passenger-side seat and position base assembly in front of seat mount brackets.



Re-attach front bolts on passenger-side seat through C-TCB base plate.



Install "Z" support bracket to base assembly using $\frac{1}{4} \times \frac{3}{4}$ " carriage bolt and serrated nut.



Tighten "Z" bracket to base assembly.



Pre-drill floor of vehicle with $\frac{3}{16}$ " drill bit Use holes in the "Z" bracket as a drill template



Attach bracket to floor using $\frac{1}{4}$ " x 1" hex head lag bolts



Loosely attach lateral support brace to TCB base using 5/16" flat washer and 5/16" nylock nut



Pre-drill floor of vehicle with 3/16" drill bit. Use holes in the support brace as a drill template



Attach support brace to floor using 1/4" x 1" hex head lag bolts



Tighten 5/16" nylock nut



Insert inner telescoping pole assembly and thread lock handle into pole support base assembly.



Final Installation

Install C-3090-x laptop platform (*sold separately*)

Free Manuals Download Website

<http://myh66.com>

<http://usermanuals.us>

<http://www.somanuals.com>

<http://www.4manuals.cc>

<http://www.manual-lib.com>

<http://www.404manual.com>

<http://www.luxmanual.com>

<http://aubethermostatmanual.com>

Golf course search by state

<http://golfingnear.com>

Email search by domain

<http://emailbydomain.com>

Auto manuals search

<http://auto.somanuals.com>

TV manuals search

<http://tv.somanuals.com>