

INSTALL INSTRUCTIONS C-TCB-24

1999-2006 FORD EXCURSION & 1999-2008 F-250/F-350/F-450/F-550 PICKUP

TOOLS REQUIRED:

Torx Bit Set (T-55)

3/16" Allen wrench

3/8" Standard Socket Set

3/8" Metric Socket Set

3/8" Ratcheting Wrench

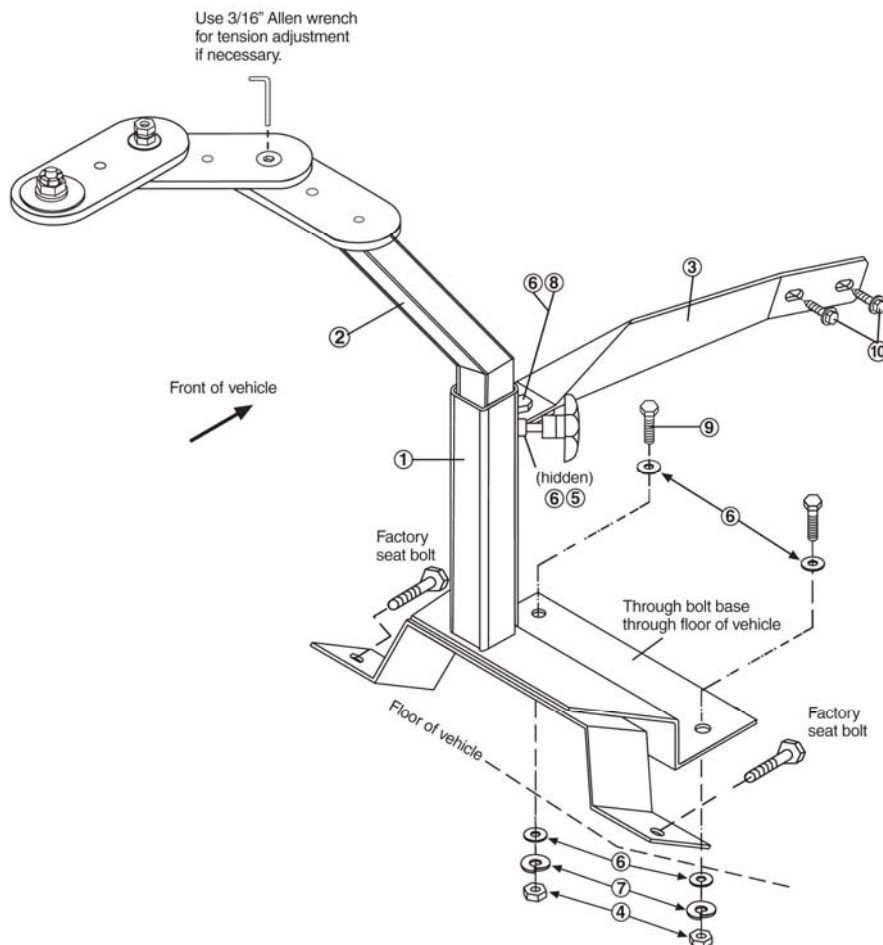
Powered drill

3/16" & 5/16" Drill bits

Open-end wrench set

COMPONENTS & HARDWARE:

<u>ITEM #</u>	<u>QTY</u>	<u>DESCRIPTION</u>	<u>PART #</u>
1	1	Pole Support Assembly	CM93071-24
2	1	Telescoping Pole Assembly	CM93072-3
3	1	Lateral Brace Arm	CM93338
4	2	5/16" Hex nut	GSM30007
5	1	5/16" Nylock Nut	GSM30017
6	6	5/16" Flat Washer	GSM31006
7	2	5/16" Lock Washer	GSM31027
8	1	5/16-18 x 1" Hex Head Bolt	GSM33012
9	2	5/16-18 x 1 1/4" Hex Head Bolt	GSM33013
10	2	1/4" x 3/4" Hex head lag bolt	GSM33060-1



Always!

- Read all instructions before installing any Havis-Shields Equipment Corp products.
- Check for obstructions (Wire, brake lines, fuel tank, etc.) before drilling any holes!
- Use hardware provided with install kit

INSTALLATION:

Telescoping Pole Assembly

- Remove front passenger seat bolts. Loosen but do not remove rear bolts.

Note: When installing C-TCB-24 into Extended Cab or Crew Cab pick-ups, the air duck on the passenger side floor must be cut out or completely removed to install.

Pole Support Assembly

- Slide base of the pole support assembly under the seat base brackets.
- Align the holes of the seat base, the pole support assembly and floor holes. Replace front seat bolts. Firmly tighten all seat bolts without over tightening.
- Attach lateral brace arm assembly to the pole support assembly with 5/16" x 1" Hex head bolt, washer and nylock nut.
- Secure lateral brace arm to side of the transmission hump using 1/4" x 3/4" Hex head lag bolts.

Note: When mounting side support brace to floor of vehicle, be sure to check for obstructions prior to drilling or lag bolting to floor.

- Tighten the screw that attaches the brace arm to the pole support assembly last.
- Tighten down factory passenger seat bolts and 5/16-18-nylock nut holding side support brace to pole support assembly.
- Mount optional C-3090, computer-mounting platform, to telescoping pole assembly using hardware and instructions provided with C-3090.

Free Manuals Download Website

<http://myh66.com>

<http://usermanuals.us>

<http://www.somanuals.com>

<http://www.4manuals.cc>

<http://www.manual-lib.com>

<http://www.404manual.com>

<http://www.luxmanual.com>

<http://aubethermostatmanual.com>

Golf course search by state

<http://golfingnear.com>

Email search by domain

<http://emailbydomain.com>

Auto manuals search

<http://auto.somanuals.com>

TV manuals search

<http://tv.somanuals.com>