

INSTALL INSTRUCTIONS C-3311-2 & C-3311-18-2

SLIDE-OUT TRUNK TRAY

2006-2008 CHEVROLET IMPALA

TOOLS REQUIRED:

7/16" wrench	Standard socket set
Powered drill w/ 3/16" drill bit	Screwdriver set
Ratcheting wrench	

HARDWARE:

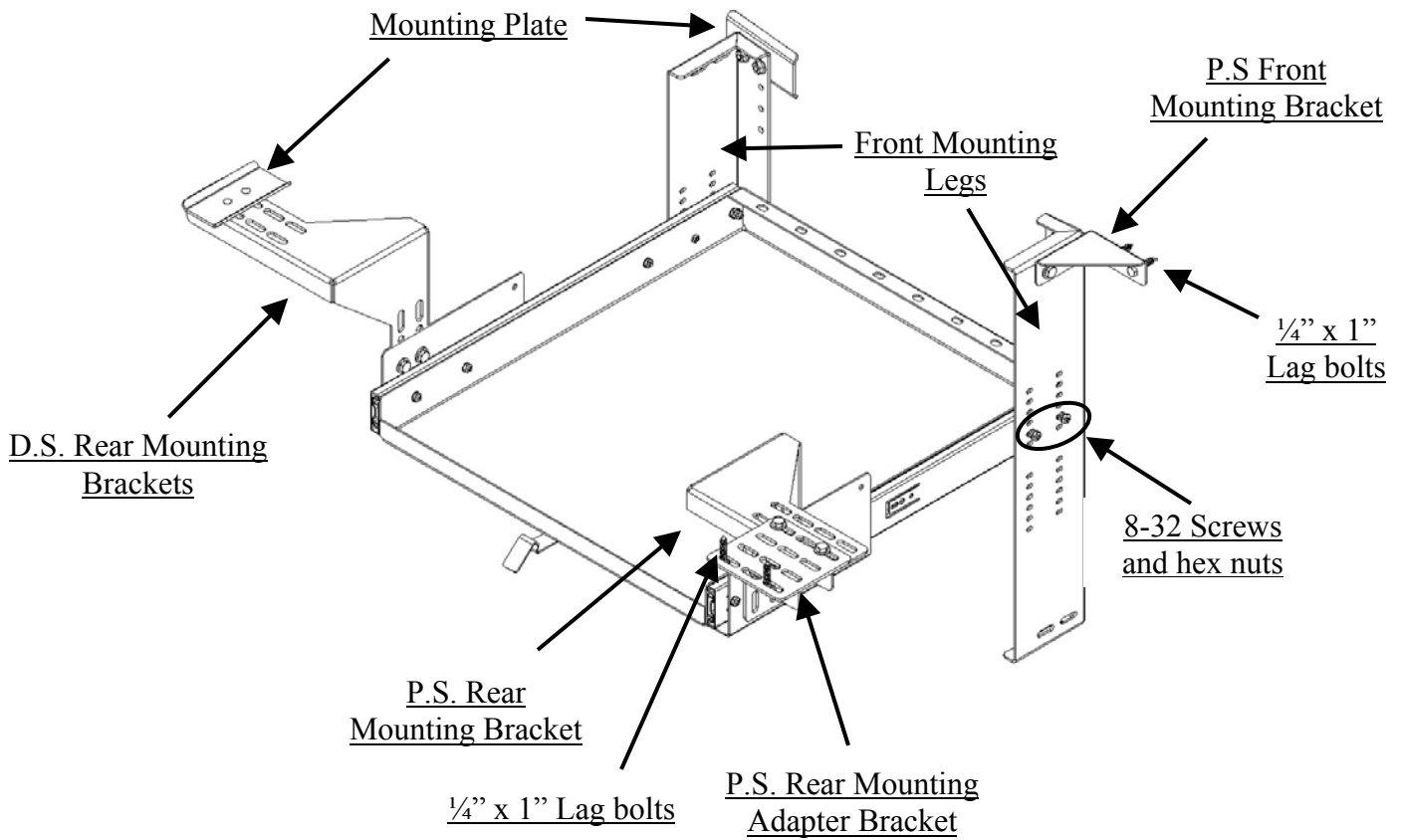
<u>QTY</u>	<u>DESCRIPTION</u>	<u>PART #</u>
12	1/4-20 x 3/4" Hex head bolts	GSM33001
16	1/4" Flat washers	GSM31005
12	1/4-20 Serrated nuts	GSM30023
4	8-32 x 3/8" Machine Screws	GSM33540
4	8-32 Keps Nuts	GSM30027
4	1/4" x 3/4" Hex head lag bolts (only on C-3311-18-2)	GSM33060-1
2	Front Mounting Leg	CM001390
1	Rear Driver-side bracket	CM001391
1	Rear Passenger-side bracket	CM001392
4	Mounting plate w/ pem 1/4" pem studs (Use 2 on C-3311-18-2)	CM001393
1	P.S. Front Mounting Bracket (only on C-3311-18-2)	CM001394
1	P.S. Rear Mounting Adapter Bracket (only on C-3311-18-2)	CM93712

Always!

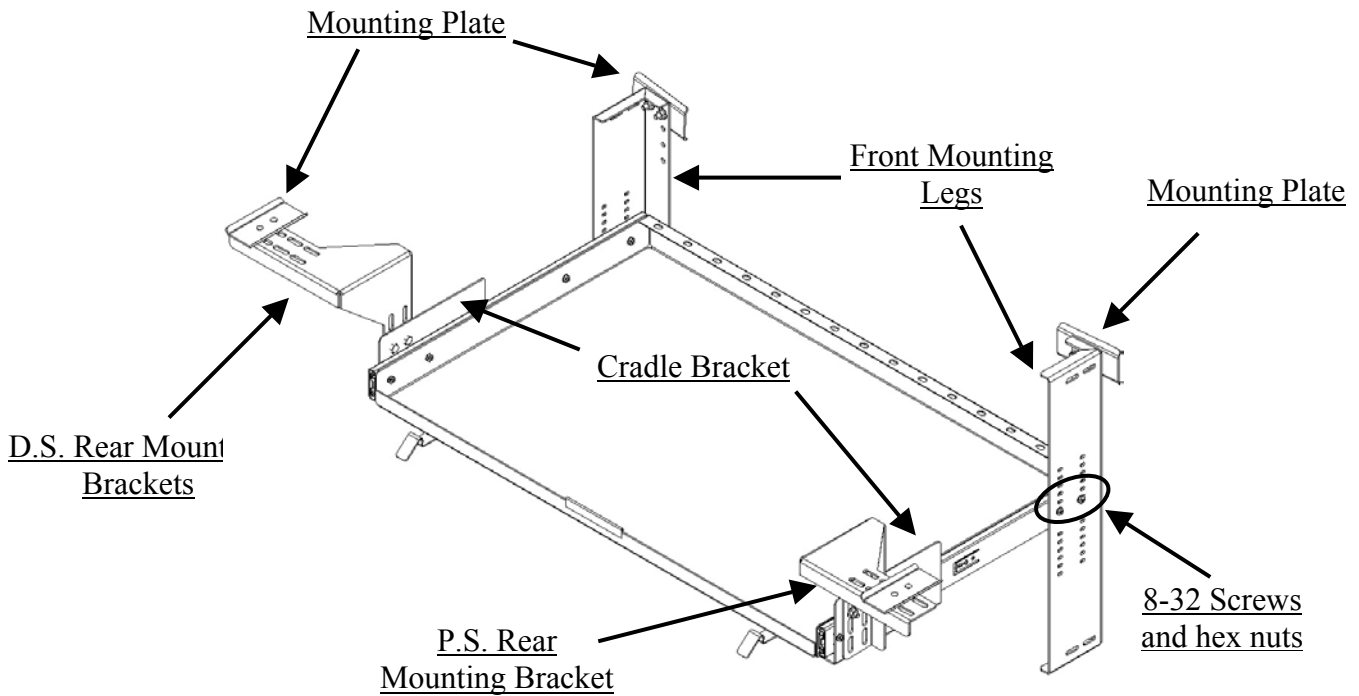
- Read all instructions before installing any Havis-Shields Equipment Corp products.
- Check for obstructions (Wire, brake lines, fuel tank, etc.) before drilling any holes!
- Use hardware provided with install kit
- For product support, visit the Install Instructions Section of our website at <http://havis.com/Installation/Installation.html>

SUB ASSEMBLY: *(Use Iso views on page #1 & 2 for sub assemblies)*

C-3311-18-2 HALF SIZE SLIDE TRAY



C-3311-2 FULL SIZE SLIDE TRAY



1. Attach forward mounting legs to the slide out tray.

- Attach forward mounting legs with provided 8-32 screws and hex nuts to slide track.
- The front legs will be square to the slide tray.
- On the front passenger side of the half tray, passenger side front mounting brackets (CM001394) will attach to the front mounting legs.

2. Attach rear-mounting brackets to the slide out tray.

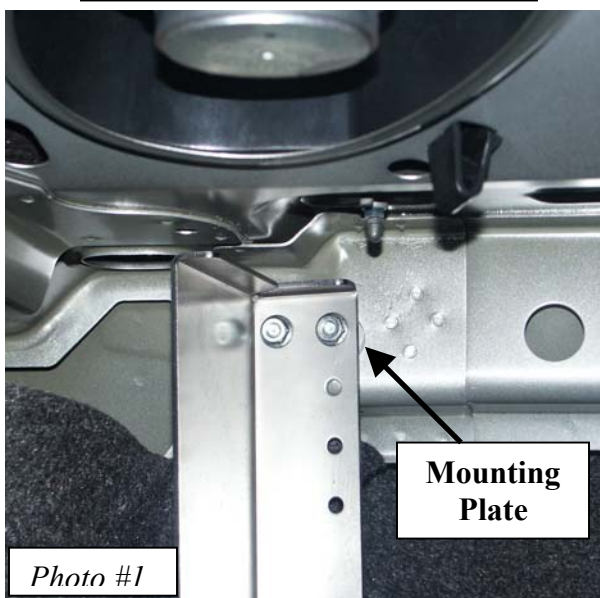
- Loosely attached the rear mounting brackets to the “Cradle Bracket” using $\frac{1}{4}$ ” x $\frac{3}{4}$ ” hex head bolts, washers and serrated nuts.
- On the rear passenger side of the half tray, passenger side rear mounting adapter bracket (CM93712) will attach to the rear mounting brackets.

INSTALLATION:

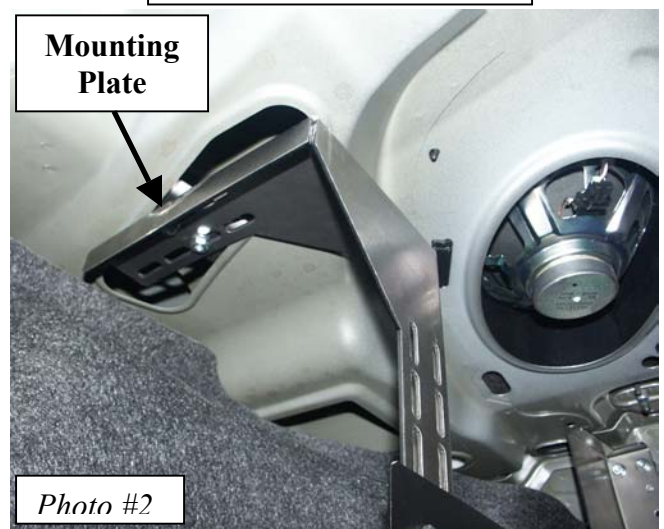
1. Mount slide tray in vehicle trunk.

- Slide trunk tray into vehicle with the tall front mounting legs in first. Prop up tray in position using block of wood.
- Once you have the tray square, and pushed to the forward most position in trunk, attach mounting brackets to vehicle using the supplied mounting plates.
- On the half tray, passenger side, you will bolt the passenger side front mounting brackets (CM001394) to the vehicle using $\frac{1}{4}$ ” x $\frac{3}{4}$ ” Hex head lag bolts. (Pre-drill w/ $\frac{3}{16}$ ” drill bit)
- Position mounting plates into locations shown in *photos #1 and 2*.
- Loosely attach front and rear mounting brackets to mounting plates using $\frac{1}{4}$ ” serrated nuts.
- On the passenger side, attach passenger side rear mounting adapter brackets (CM93712) to vehicle using $\frac{1}{4}$ ” x $\frac{3}{4}$ ” hex head lag bolts. (Pre-drill w/ $\frac{3}{16}$ ” drill bit)

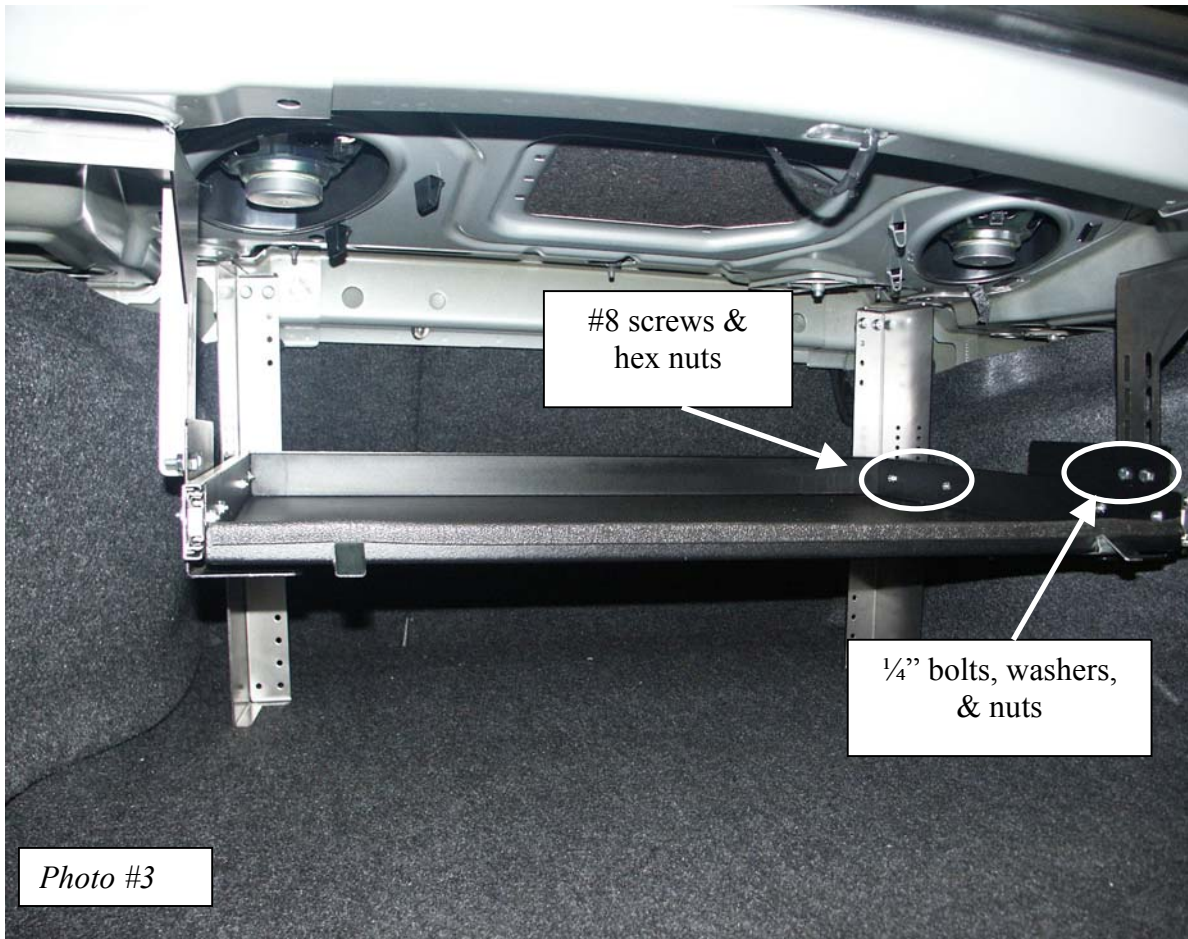
Forward Mounting Brackets



Rear mounting brackets



- Tighten all loose hardware.
- Be sure tray slides smoothly and locks in the closed position. If the tray does not slide smooth then most likely the tray is not square or level.



Free Manuals Download Website

<http://myh66.com>

<http://usermanuals.us>

<http://www.somanuals.com>

<http://www.4manuals.cc>

<http://www.manual-lib.com>

<http://www.404manual.com>

<http://www.luxmanual.com>

<http://aubethermostatmanual.com>

Golf course search by state

<http://golfingnear.com>

Email search by domain

<http://emailbydomain.com>

Auto manuals search

<http://auto.somanuals.com>

TV manuals search

<http://tv.somanuals.com>