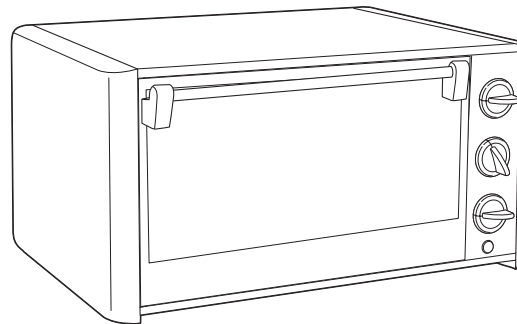
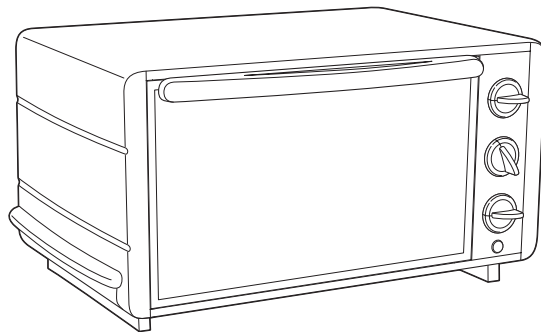


Toaster Oven

Four grille-pain

Horno tostador



READ BEFORE USE
LIRE AVANT L'UTILISATION
LEA ANTES DE USAR

English 2
USA: 1-800-851-8900

Français 11
Canada : 1-800-267-2826

Español 22
México: 01 800 71 16 100

Le invitamos a leer cuidadosamente este
instructivo antes de usar su aparato.

840148200

WARNING

Fire Hazard

- Do not operate unattended while in Toast mode.
- Do not use with oven cooking bags.
- Do not store any materials, other than recommended accessories, in this oven when not in use.
- Always allow at least one inch between food and heating element.
- Do not cover or use near curtains, walls, cabinets, paper or plastic products, cloth towels, etc. Keep 2 to 4 inches away from wall or any objects on countertop.
- Close supervision is necessary when used by or near children.
- Always unplug toaster oven when not in use.
- Regular cleaning reduces risk of fire hazard.
- If contents ignite, do not open oven door. Unplug oven and allow contents to stop burning and cool before opening door.
- Failure to follow these instructions can result in death or fire.

Shock Hazard

- Do not immerse this appliance in water or other liquid.
- This appliance has a polarized plug (one wide blade) that reduces the risk of electrical shock. The plug fits only one way into a polarized outlet. Do not defeat the safety purpose of the plug by modifying the plug in any way or using an adaptor. If the plug does not fit, reverse the plug. If it still does not fit, have an electrician replace the outlet.

IMPORTANT SAFEGUARDS

When using electrical appliances, basic safety precautions should always be followed, including the following:

1. Read all instructions.
2. Do not touch hot surfaces. Use handles or knobs.
3. To protect against electrical shock do not immerse cord, plug, or toaster oven in water or other liquid.
4. Close supervision is necessary when any appliance is used by or near children.
5. Unplug from outlet when not in use and before cleaning. Allow to cool before cleaning appliance and putting on or taking off parts.
6. Do not operate any appliance with a damaged cord or plug, or after the appliance malfunctions or is dropped or damaged in any manner. Call our toll-free customer assistance number for information on examination, repair or adjustment.
7. The use of accessory attachments not recommended by the appliance manufacturer may cause injuries.
8. Do not use outdoors.
9. Do not let cord hang over edge of table or counter, or touch hot surfaces, including the stove.
10. Do not place on or near a hot gas or electric burner, or in a heated oven.
11. Extreme caution must be used when moving an appliance containing hot oil or other hot liquids. Be sure to allow hot oil or liquids to cool before moving appliance.
12. To disconnect, turn all controls to Off, then remove plug from wall outlet.
13. Use extreme caution when removing tray or disposing of hot grease.
14. Do not clean with metal scouring pads. Pieces can break off the pad and touch electrical parts, creating a risk of electrical shock.
15. Oversize foods or metal utensils must not be inserted in a toaster oven as they may create a fire or risk of electric shock.

16. A fire may occur if the toaster oven is covered, touching or near flammable material, including curtains, draperies, walls, and the like, when in operation. Do not store any item on top of the appliance when in operation, or before the appliance cools down.
17. Extreme caution should be exercised when using containers constructed of other than metal or glass.
18. Do not store any materials, other than appliance manufacturer recommended accessories, in this oven when not in use.
19. Do not place any of the following materials in the oven: paper, cardboard, plastic, and the like.
20. Do not cover crumb tray or any part of the oven with metal foil. This will cause overheating of the oven.
21. To turn the oven off or stop a toast cycle, rotate Timer Knob to "OFF" position.
22. Do not place eyes or face in close proximity with tempered safety glass door in the event that the safety glass breaks.
23. Do not use appliance for other than intended use.
24. Before using this appliance, move it 2 to 4 inches away from wall or any object on the countertop. Remove any object that may have been placed on top of the appliance. Do not use on surfaces where heat may cause a problem.
25. If plug gets hot, please call a qualified electrician.
26. The oven door is not a shelf. Do not place anything on the door.
27. Use extreme caution when extending loaded rack or adding food to extended rack.

SAVE THESE INSTRUCTIONS

Consumer Safety Information

This appliance is intended for household use only.

The length of the cord used on this appliance was selected to reduce the hazards of becoming tangled in, or tripping over a longer cord. If a longer cord is necessary an approved extension cord may be used. The electrical rating of the extension cord must be equal to or greater than the rating of the toaster oven. Care must be taken to arrange the extension cord so that it will not drape over the countertop or tabletop where it can be pulled on by children or accidentally tripped over.

This appliance is equipped with a fully tempered safety glass door. The tempered glass is four times stronger than ordinary glass and more resistant to breakage.

Tempered glass can break, however it breaks into pieces with no sharp edges. Care must be taken to avoid scratching door surface or nicking edges. If the door has a scratch or nick, call our toll-free customer assistance number.

When heavy foods are on the oven rack, do not pull the oven rack out more than halfway. To baste or check for doneness, remove food from the oven and place on heat-resistant countertop surface or trivet.

Do not place bake pan directly on heating elements.

To avoid an electrical circuit overload, do not operate another high-wattage appliance on the same circuit with the toaster oven.

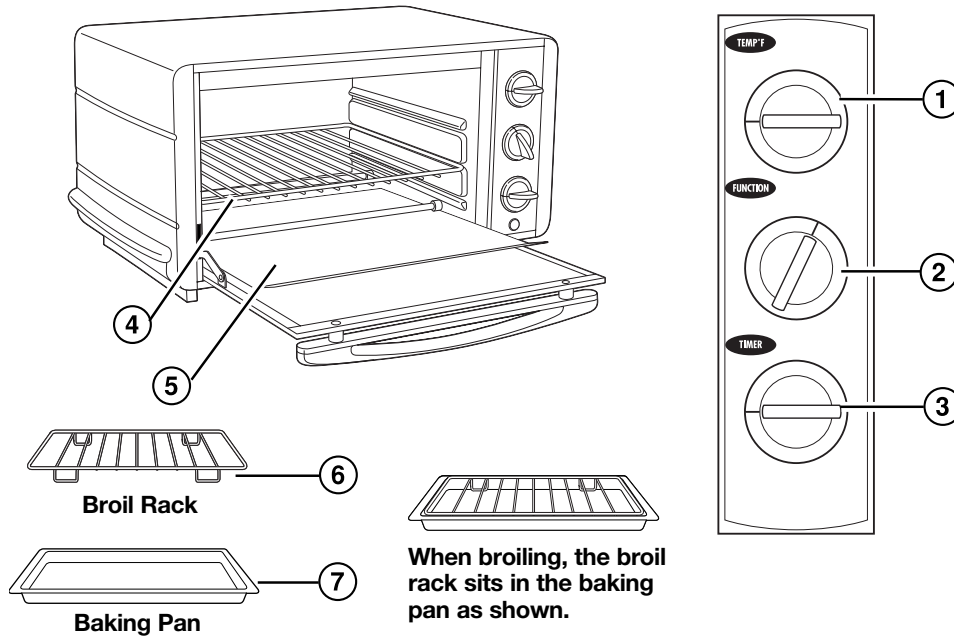
Before First Use

Most heating appliances produce an odor and/or smoke when used for the first time. Plug toaster oven into outlet. Turn the Oven Control Switch to 450°F. Set Toast Shade Selector/Timer to Oven ON. Heat at this temperature for 10 minutes. The odor

should not be present after this initial preheating. Remove baking pan, broil rack, and oven rack. Wash in hot, soapy water. Rinse and dry.

Parts and Features

- | | |
|---|--------------------------------|
| 1. Temperature Knob | 4. Oven Rack |
| 2. Function Knob (functions may differ depending on model) | 5. Slide-Out Crumb Tray |
| 3. ON/OFF Oven Control/Timer/Toast Color Knob | 6. Broil Rack |
| | 7. Baking Pan |



Oven Rack Positions

The oven has grooves in the side walls that let the oven rack be placed in different positions.

Middle Rack Position

- for baking and broiling

High and Low Rack Positions

- use **high rack** position for broiling and toasting
- use **low rack** position for baking

Pan Sizes

The following pans should fit your toaster oven. To be sure, place the pan in the oven to check the fit before preparing the recipe.

- 6-cup muffin pan
- 8 x 4 loaf pan*
- 9 x 5 loaf pan*
- 8-inch round or square baking pan
- Most 1 to 1 ½ quart casserole dishes

* The loaf pans will fit but do not fill more than half full.

Using Your Toaster Oven

To Toast

1. Place the oven rack in **high** position for bread, pastry, or frozen waffles. Place oven rack in **middle** position for bagels or English muffins (see Toasting Tips).
2. Set Temperature Knob to **Broil/Toast**.
3. Set Function Knob to Toast.
4. Turn Toast Color Knob to at least 5 and then back to desired toast color setting (for accurate times under 5 minutes).
5. A bell will sound when cycle is completed. When finished, turn OFF. Unplug from outlet.

WARNING

Fire Hazard

Do not leave oven unattended during toasting or top-browning.

Toasting Tips!

- **When toasting only two slices of bread**, place bread towards front of oven to get even toasting on top and bottom.
- **To toast bagels**, place oven rack in the **middle** position and place bagels cut side facing down. This will toast the cut side more than the outside of the bagel. Set the Toast Color Knob to desired setting.
- **To toast English muffins**, place oven rack in the **middle** position and place English muffins with the split side facing down. Set Toast Color Knob to the dark setting.
- **To toast regular toaster pastries, frozen pastry, or waffles**, place oven rack in the **middle** position. Select a light color and toast directly on the oven rack. If pastry has a glaze of frosting, use baking pan.
- When toasting, **condensation** may form on the oven door. The moisture will slowly escape from the enclosed oven.
- The **number of slices** of bread and the **bread freshness** will affect toast color. For example, toasting 4 slices of bread will require a darker toast color setting than 2 slices of bread. Adjust the Toast Color Knob based on desired color **and** number of slices.
- If you are not satisfied with the color balance between the two sides of your food in the recommended rack position, select a different rack position.

To Keep Warm (Select models only)

1. Set Temperature Knob to Keep Warm.
2. Set Function Knob to Keep Warm.
3. Set Timer between 5 and 15 minutes or to Stay On.
4. When finished, turn OFF. Unplug from outlet.

To Bake and Traditional Cook

1. Place oven rack in **middle** or **low** position depending on food to be cooked.
2. Set Temperature Knob to desired temperature.
3. Set Function Knob to **BAKE**.
4. Set Timer between 5 and 15 minutes or to **Stay On**. **Preheat 5 minutes before beginning to bake.**
5. When finished, turn **OFF**. Unplug from outlet.

Warming and Reheating Tips!

- Do not totally enclose foods in aluminum foil. Foil can insulate foods and slow down heating.
- To reheat rolls or biscuits, place on baking pan and heat at 300°F for 10 minutes.
- Reheat leftover roasts or casseroles at 350°F for 20 to 30 minutes or until heated through.

! WARNING

Fire Hazard

- Do not leave oven unattended during operation.
- Keep one inch between food and heating element.
- Do not use oven cooking bags.
- Do not heat foods in plastic containers.
- Follow food manufacturers instructions.

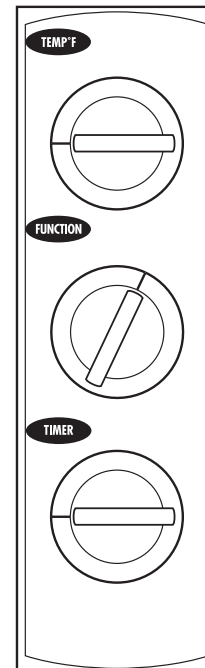
To Bake and Rapid Convection Cook (Select models only)

1. Place oven rack in middle or low position depending on food to be cooked.
2. Set Temperature Knob to desired temperature.
3. Set Function Knob to **Rapid Cook**.
4. Set Timer between 5 and 15 minutes or to **Stay On**. **Preheat 5 minutes before beginning to bake.**
5. When finished, turn **OFF**. Unplug from outlet.

Convection Baking Tips!

- The convection method cooks up to one-third faster than traditional baking.
- When first using, check to determine if time or temperature should be adjusted.
- To reduce the risk of fire, do not use oven cooking bags in the toaster oven.
- "Fan Only" mode operates the convection fan (on selected models) which circulates air in the oven cavity.

6



To Broil

1. Place oven rack in **high** or **middle** position. Place food on broil rack in the bake pan and place in oven. Do not preheat oven.
2. Set Temperature Knob to Broil.
3. Set Function Knob to Broil.
4. Set Timer between 5 and 15 minutes or to Stay On.
5. Halfway through cooking time, or when food has browned, turn food over to brown and cook other side.
6. When finished, turn OFF. Unplug from outlet.

WARNING

Fire Hazard

Do not leave oven unattended during toasting or top-broiling.

Broiling Tips!

- For best results, do not preheat oven when broiling.
- Use oven rack in **high** position for faster broiling times. Use **low** position for foods needing longer broiling times, like chicken.
- Always allow at least one inch between the food and the heating element.

Broiling Chart

Food	Amount	Approximate Time
Hamburgers	4, 1-inch thick	20 minutes
Bacon	4 slices	10 minutes
Hot Dogs	8	15 minutes
Sausage Links or Patties (pierce casings before cooking)	8	15 to 20 minutes
Fish	4 fillets	15 minutes

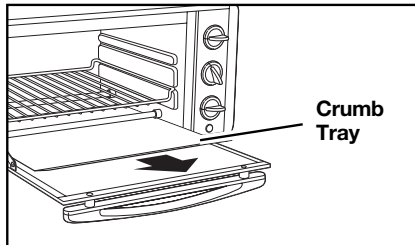
These cooking times are an average and should be adjusted to individual preferences. Turn foods halfway through cooking time.

Cleaning Your Toaster Oven

For best performance and long life, clean toaster oven regularly.

1. Unplug oven and allow to cool.
2. Wash oven rack and baking pan in hot, soapy water. Rinse and dry.
3. To clean the crumb tray, slide out and wipe crumb tray with a damp cloth. Slide back into position.
4. To clean the outside of the oven, wipe with a damp cloth. Do not use abrasive cleansers. Do not clean with metal scouring pads.

NOTE: Select models are continuous self-clean. Cleaning the interior oven walls is not necessary on those models.



Recipes

Baked Potatoes

2 medium baking potatoes, about 10-ounces (285 g) each

Wash potatoes then pierce skin with a fork. Place potatoes on baking pan and place in 425°F (220°C) oven. Bake for 1 hour or until done. Do not wrap in aluminum foil as this may increase cooking times.

Roast Chicken

To roast a whole chicken in the oven, it must be 4 pounds or smaller. Roast chicken at 350°F (180°C) for 2½ hours or to an internal temperature of 180°F (82°C).

Hot Mexican Bean Dip

2 15-ounce cans black beans, well drained
 1 teaspoon hot pepper sauce
 ½ cup sour cream
 ½ cup salsa
 8 ounces Monterey Jack cheese, grated

Mash black beans. Add hot pepper sauce, sour cream, salsa, and half of the cheese. Spoon into shallow 1 quart casserole dish. Sprinkle remaining cheese on top. Bake at 350°F (180°C) about 15 minutes, or until bubbly. Serve with tortilla chips. **Makes 8 appetizer servings.**

Minute Muffins

1 cup self-rising flour
 ½ cup milk
 2 tablespoons mayonnaise or sour cream

Stir together ingredients. Spoon into greased 6 cup muffin pan. Bake at 450°F (230°C) for 12 minutes or until done.

Mini Meat Loaves

- 1 pound lean ground beef
- 1 small onion, finely chopped
- $\frac{3}{4}$ cup fresh bread crumbs
- 1 egg, beaten
- 1 tablespoon grated Parmesan cheese
- 1 tablespoon finely chopped, fresh parsley
- $\frac{1}{4}$ teaspoon each, salt and pepper

Combine all ingredients and mix well. Divide mixture between 6-cup muffin pan. Bake at 350°F (180°C) for 30 minutes or until done. Makes 4 to 6 servings.

5 Minute Pizza

- English muffins, split in half and slightly toasted
- Pizza or spaghetti sauce
- Grated mozzarella cheese
- Pepperoni slices

Place muffin halves on baking pan cut side up. Spread some sauce on top of each muffin. Sprinkle with cheese then top with pepperoni. Place pan in toaster oven and bake at 450°F (230°C) for about 5 minutes or until cheese melts.

Troubleshooting

Question	Answer
The toaster oven will not heat.	Check to make sure the outlet is working and the oven is plugged in. Next turn the Temperature Knob to 350°F, turn Function Knob to Bake, and turn Timer to Stay On.
The toaster oven will not toast.	Check to make sure outlet is working and oven is plugged in. <ol style="list-style-type: none"> 1. Turn Temperature Knob to Toast. 2. Turn Function Knob to Toast. 3. Turn Timer/Toast Color Knob to a toast color.
Moisture forms on the inside of the oven door when toasting.	This is normal when toasting in a toaster oven. Moisture is slower to escape from the toaster oven than from a toaster. The amount of moisture will differ between fresh bread, bagels, and frozen pastry.
An odor and smoke comes from the toaster oven.	Smoke and odor is normal during the first use of most heating appliances. This will not be present after the initial heating period.
Some foods burn and some are not done.	Use oven rack position to center food in the oven. Adjust oven temperature or cooking time for best results with your recipes.

Customer Service

If you have a question about your appliance, call our toll-free customer service number. Before calling, please note the model, type, and series numbers and fill in that information below. These numbers can be found on the bottom of your appliance. This information will help us answer your question much more quickly.

MODEL: _____ **TYPE :** _____ **SERIES:** _____

This warranty applies to products purchased in the U.S. or Canada.

LIMITED WARRANTY

This product is warranted to be free from defects in material and workmanship for a period of one (1) year for Hamilton Beach products or one hundred eighty (180) days for Proctor-Silex and Traditions products from the date of original purchase, except as noted below. During this period, we will repair or replace this product, at our option, at no cost. THE FOREGOING WARRANTY IS IN LIEU OF ANY OTHER WARRANTY OR CONDITION, WHETHER EXPRESS OR IMPLIED, WRITTEN OR ORAL INCLUDING, WITHOUT LIMITATION, ANY STATUTORY WARRANTY OR CONDITION OF MERCHANTABILITY OR FITNESS FOR A PARTICULAR PURPOSE. ANY LIABILITY IS EXPRESSLY LIMITED TO AN AMOUNT EQUAL TO THE PURCHASE PRICE PAID, AND ALL CLAIMS FOR SPECIAL, INCIDENTAL AND CONSEQUENTIAL DAMAGES ARE HEREBY EXCLUDED.

There is no warranty with respect to the following, which may be supplied with this product, including without limitation: glass parts, glass containers, cutter/strainers, blades, seals, gaskets, clutches, motor brushes, and/or agitators, etc. This warranty extends only to the original consumer purchaser and does not cover a defect resulting from abuse, misuse, neglect including failure to clean product regularly in accordance with manufacturer's instructions, use for commercial purposes, or any use not in conformity with the printed directions. This warranty gives you specific legal rights, and you may also have other legal rights which vary from state to state, or province to province. Some states or provinces do not allow limitations on implied warranties or special, incidental or consequential damages, so the foregoing limitations may not apply to you.

If you have a claim under this warranty, DO NOT RETURN THE APPLIANCE TO THE STORE! Please call our CUSTOMER SERVICE NUMBER. (For faster service please have model, series, and type numbers ready for operator to assist you.)

CUSTOMER SERVICE NUMBERS

In the U.S. 1-800-851-8900
In Canada 1-800-267-2826

hamiltonbeach.com or proctorsilex.com

KEEP THESE NUMBERS FOR FUTURE REFERENCE!

AVERTISSEMENT

Risque d'incendie

- Ne pas faire marcher l'appareil sans surveillance en mode Toast (pain grillé).
- Ne pas utiliser l'appareil avec des sacs de cuisson au four.
- Ne pas stocker de matériels autres que les accessoires recommandés dans ce four lorsqu'il ne sert pas.
- Toujours compter 1 po (2,5 cm) entre les aliments et l'élément chauffant.
- Ne pas couvrir l'appareil et ne pas l'utiliser à proximité de rideaux, murs, placards, produits en papier ou en plastique, serviettes en tissu, etc. Garder à 2 à 4 po (5 à 10 cm) du mur ou de tout objet du comptoir.
- Une étroite surveillance doit être exercée lorsque l'appareil est utilisé par des enfants ou à proximité de ceux-ci.
- Toujours débrancher le four grille-pain lorsqu'il ne sert pas.
- Un nettoyage régulier permet de réduire le risque d'incendie.
- Ne pas ouvrir la porte du four si le contenu s'enflamme. Débrancher le four et laisser le contenu s'éteindre et refroidir avant d'ouvrir la porte.
- Ne pas suivre ces instructions peut entraîner un incendie, voire la mort.

Risque d'électrocution

- N'immergez pas cet appareil dans l'eau ou tout autre liquide.
- Cet appareil est muni d'une fiche polarisée (une lame plus large) qui réduit les risques d'électrocution. La fiche s'introduit dans la prise polarisée dans un sens seulement. Ne nuisez pas à la conception sécuritaire de la fiche en la modifiant de quelque façon que ce soit ou en utilisant un adaptateur. Placez la fiche dans l'autre sens si elle refuse de s'introduire dans la prise. S'il est encore impossible d'insérer la fiche, demandez à un électricien de remplacer la prise électrique.

PRÉCAUTIONS IMPORTANTES

Lors de l'utilisation d'appareils électroménagers, des précautions fondamentales de sécurité doivent toujours être observées, y compris ce qui suit :

1. Lire toutes les instructions.
2. Ne pas toucher les surfaces chaudes. Utiliser les poignées ou boutons.
3. Pour protéger contre le risque de choc électrique, ne pas immerger le cordon, la fiche ou le four grille-pain dans l'eau ou autre liquide.
4. Une bonne surveillance est nécessaire pour tout appareil utilisé par des enfants ou près d'eux.
5. Débrancher l'appareil de la prise de courant électrique lorsqu'il n'est pas utilisé et avant un nettoyage. Le laisser refroidir avant le nettoyage et avant d'y placer ou d'y enlever des pièces.
6. Ne pas faire fonctionner un appareil électroménager avec un cordon ou une fiche endommagé(e), ou lorsque l'appareil ne fonctionne pas bien ou a été échappé ou endommagé d'une manière quelconque. Composer notre numéro sans frais d'assistance à la clientèle pour des renseignements concernant l'examen, la réparation ou l'ajustement.
7. L'utilisation d'accessoires non recommandés par le fabricant de l'appareil peut causer des blessures.
8. Ne pas utiliser à l'extérieur.
9. Ne pas laisser le cordon pendre du bord d'une table ou d'un comptoir, ou toucher des surfaces chaudes, y compris la cuisinière.
10. Ne pas placer l'appareil sur ou près d'un brûleur chaud à gaz ou d'un élément électrique, ou dans un four chauffé.
11. Une précaution extrême doit être employée lors du déplacement d'un appareil électroménager contenant de l'huile chaude ou autre liquide chaud. Toujours s'assurer de laisser refroidir l'huile ou tout autre liquide chaud avant de bouger l'appareil.
12. Pour débrancher l'appareil, tourner tous les réglages à OFF (arrêt), ensuite retirer la fiche de la prise de courant murale.
13. Une prudence extrême s'impose lors de l'enlèvement du plateau ou de la vidange de graisse chaude.

14. Ne pas nettoyer avec des tampons à récurer en métal. Des pièces peuvent se détacher du tampon et toucher les pièces électriques, créant un risque de choc électrique.
15. Des aliments ou des ustensiles de métal de grosseur excessive ne doivent pas être insérés dans un four grille-pain, car ils peuvent créer un incendie ou un risque de choc électrique.
16. Un incendie peut survenir si le four grille-pain est recouvert, touche ou est près de matériaux inflammables, y compris rideaux, tentures, murs et autres articles semblables, lorsqu'il fonctionne. Ne pas remettre des articles sur le dessus de l'appareil lorsqu'il est utilisé ou avant que l'appareil refroidisse.
17. Une grande précaution doit être prise lors de l'utilisation de contenants construits en matériaux autres que le métal ou le verre.
18. Ne placer aucun matériau autre que les accessoires recommandés par le fabricant de l'appareil, dans ce four lorsqu'il n'est pas utilisé.
19. Ne placer aucun des matériaux suivants dans le four : papier, carton, plastique et articles semblables.
20. Ne pas couvrir le plateau à miettes ou toute pièce du four avec du papier métallique. Ceci causerait un surchauffage du four.
21. Pour éteindre le four ou arrêter un cycle de pain grillé, tourner la minuterie à la position OFF (arrêt).
22. Ne pas placer les yeux ou le visage près de la porte en verre trempé, au cas où le verre trempé se briserait.
23. Ne pas utiliser cet appareil pour tout autre usage que celui recommandé.
24. Avant d'utiliser cet appareil, l'éloigner de 2 à 4 pouces (5 à 10 cm) d'un mur ou de tout autre objet sur le comptoir. Enlever tout objet qui peut avoir été placé sur l'appareil. Ne pas utiliser cet appareil sur des surfaces où la chaleur pourrait causer un problème.
25. Si la fiche devient chaude, veuillez faire venir un électricien qualifié.
26. La porte du four grille-pain n'est pas une tablette. Ne rien placer sur la porte.
27. Utiliser une prudence extrême lors du déplacement de la grille chargée ou lors de l'addition d'aliments sur la grille.

CONSERVEZ CES INSTRUCTIONS !

Autres renseignements de sécurité aux consommateurs

Cet appareil est destiné à l'utilisation domestique seulement.

La longueur du cordon de cet appareil a été choisie de façon à ce que l'on ne risque pas de trébucher dessus. Si un cordon plus long est nécessaire, utiliser une rallonge appropriée. Le calibrage de la rallonge doit être le même que celui de l'appareil ou supérieur. Lorsqu'on utilise une rallonge, s'assurer qu'elle ne traverse pas la zone de travail, que des enfants ne puissent pas tirer dessus par inadvertance et qu'on ne puisse pas trébucher dessus.

Cet appareil est doté d'une porte en verre trempé. Le verre trempé est quatre fois plus robuste que le verre ordinaire et plus résistant aux bris. Le verre trempé peut se briser, mais il se brise en pièces sans bords coupants. Il faut prendre soin d'éviter d'égratigner la surface de la porte ou

d'endommager le contour. Si la porte a une égratignure ou un bris, composer notre numéro sans frais d'assistance à la clientèle.

Lorsque des aliments lourds sont sur la grille du four, ne pas sortir la grille du four plus de la moitié. Pour arroser ou vérifier la cuisson, sortir les aliments du four et placer le plat sur une surface de comptoir résistante à la chaleur ou sur un dessous de plat.

La porte du four grille-pain n'est pas une tablette. Ne rien placer sur la porte.

Ne pas placer la lèchefrite directement sur les éléments chauffants.

Pour éviter une surcharge des circuits électriques, ne pas faire fonctionner d'autre appareil électroménager de haute tension sur le même circuit que le four grille-pain.

Avant la première utilisation

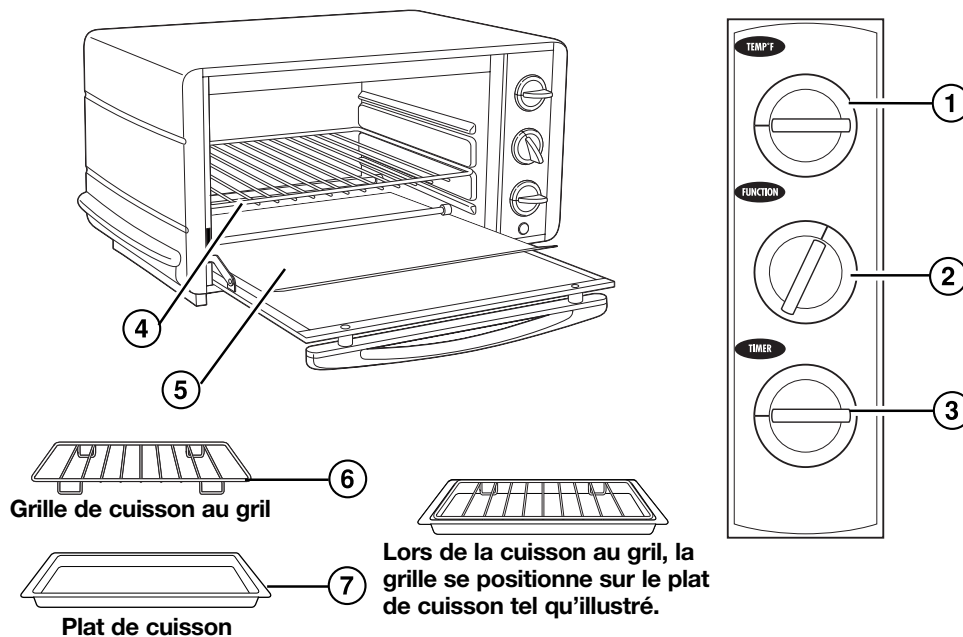
La plupart des appareils électroménagers à élément chauffant dégagent une odeur et/ou de la fumée lors de la première utilisation. Brancher le four grille-pain dans une prise de courant. Tourner la commande du four à 450°F. Régler le sélecteur du degré de cuisson des rôties / la minuterie du four

à ON (marche). Chauffer à cette température pendant 10 minutes. L'odeur devrait disparaître après ce préchauffage initial.

Enlever le plat à cuisson, la grille de cuisson au grill et la grille du four. Laver à l'eau chaude savonneuse. Rincer et sécher.

Pièces et caractéristiques

- | | |
|---|---------------------------------|
| 1. Bouton de température | 4. Grille |
| 2. Bouton de fonction (les fonctions peuvent différer selon le modèle) | 5. Plateau à miettes coulissant |
| 3. Commande MARCHE/ARRÊT du four/minuterie/bouton de nuance des rôties | 6. Grille de cuisson au grill |
| | 7. Plat de cuisson |



Positions de la grille du four

Le four présente des rainures sur les parois latérales qui permettent de placer la grille à différentes positions.

Position médiane de la grille

- pour cuire au four et cuire au grill

Positions supérieure et inférieure

- utiliser la position **supérieure** de la grille pour la cuisson au grill et griller
- utiliser la position **inférieure** de la grille pour cuire au four

Dimensions des plats de cuisson

Les plats de cuisson suivants conviennent à votre four grille-pain. Placer le plat dans le four pour vérifier qu'il y tient avant de préparer la recette.

Moule à muffin avec 6 godets

Moule rond ou carré de 8 pouces

Moule à pain de 8 x 4 po*

La plupart des casseroles de 1 à 1½ pinte

Moule à pain de 9 x 5 po*

* Les moules à pain conviendront, mais ne pas les remplir à plus de la moitié.

Utilisation du four grille-pain

Pour faire griller du pain

1. Placer la grille à la position **supérieure** pour le pain, la pâtisserie ou les gaufres congelées. Placer la grille à la position **médiane** pour les bagels ou les muffins anglais (voir Conseils pour griller le pain).
2. Régler le bouton de température sur **Broil-Toast**.
3. Régler le bouton de fonction sur **Toast**.
4. Tourner le bouton de nuance des rôties jusqu'à 5 au moins, puis sur le réglage de nuance désirée (pour des durées préci-ses en deçà de 5 minutes).
5. Une sonnerie se fera entendre à la fin du cycle. Lorsque la cuisson est terminée, tourner le bouton sur **OFF** (arrêt). Débrancher de la prise de courant.

AVERTISSEMENT

Risque d'incendie

Ne jamais laisser le four sans surveillance durant la cuisson, que ce soit en mode Broil (gril) ou Toast (pain grillé).

Conseils pour griller le pain

- **Lorsqu'on fait griller seulement deux tranches de pain**, placer le pain vers l'avant du four pour obtenir un brunissage identique sur le dessus et sur le dessous.
- **Pour griller des bagels**, placer la grille du four à la position médiane et placer les bagels le côté tranché vers le bas. Cette position fera rôtir la surface coupée plus que l'extérieur du bagel. Régler le bouton de nuance des rôties sur le réglage désiré.
- **Pour griller des muffins anglais**, placer la grille du four à la position **médiane** et placer les muffins anglais avec le côté tranché vers le bas. Régler le bouton de nuance des rôties sur le réglage le plus foncé.
- **Pour griller des pâtisseries ordinaires à griller, des pâtisseries ou gaufres congelées**, placer la grille à la position médiane. Choisir une nuance légère et faire griller directement sur la grille du four. Si la pâtisserie a un glaçage, utiliser un plat de cuisson.
- **Lorsqu'on fait griller des rôties**, une **condensation** peut survenir sur la porte du four. L'humidité s'échappera lentement du four fermé.
- Le **nombre de tranches** de pain et la **fraîcheur** du pain affecteront la couleur des rôties. Par exemple, pour faire griller 4 tranches de pain, il faudra un réglage de nuance des rôties plus fort que pour 2 tranches de pain. Ajuster le bouton de nuance des rôties en fonction de la nuance désirée **et** du nombre de tranches.
- Si l'uniformité de couleur des rôties entre les deux côtés des aliments dans la position recommandée pour la grille n'est pas satisfaisante, sélectionner une position différente de la grille.

Pour garder au chaud (certains modèles uniquement)

1. Régler le bouton de température sur Keep Warm (garder au chaud).
2. Régler le bouton de fonction sur Keep Warm.
3. Régler la minuterie entre 5 et 15 minutes ou sur Stay On (reste allumé).
4. Lorsque la cuisson est terminée, tourner le bouton sur OFF (arrêt). Débrancher de la prise de courant.

Pour cuisson au four et traditionnelle

1. Placer la grille à la position **médiane** ou **inférieure** selon l'aliment à faire cuire.
2. Régler le bouton de température sur la température désirée.
3. Régler le bouton de fonction sur BAKE (cuisson au four).
4. Régler la minuterie entre 5 et 15 minutes ou sur Stay On (reste allumé). **Préchauffer 5 minutes avant de commencer la cuisson au four.**
5. Lorsque la cuisson est terminée, tourner le bouton sur OFF (arrêt). Débrancher de la prise de courant.

⚠️ AVERTISSEMENT

Risque d'incendie

- Ne jamais laisser le four sans surveillance pendant son fonctionnement.
- Garder 1 po (2,5 cm) entre l'aliment et l'élément chauffant.
- Ne pas utiliser de sacs pour cuisson au four.
- Ne pas chauffer les aliments dans des contenants en plastique.
- Respecter les instructions des fabricants de produits alimentaires.

Conseils pour le chauffage et réchauffage

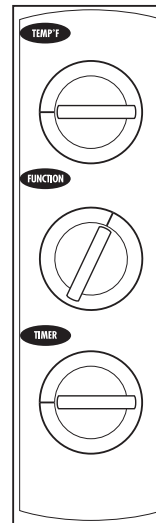
- Ne pas renfermer totalement les aliments dans une feuille d'aluminium. La feuille d'aluminium peut isoler les aliments et ralentir le chauffage.
- Pour réchauffer petits pains ou biscuits, placer sur un plat à cuisson et chauffer à 300°F pendant 10 minutes.
- Réchauffer les restes de rôtis de viande ou de mets en sauce à 350°F pendant 20 à 30 minutes ou jusqu'à ce que l'aliment soit complètement chaud à l'intérieur.

Pour cuisson au four et cuisson rapide par convection (certains modèles uniquement)

1. Placer la grille du four à la position médiane ou inférieure selon l'aliment à faire cuire.
2. Régler le bouton de température sur la température désirée.
3. Régler le bouton de fonction sur Rapid Cook (cuisson rapide).
4. Régler la minuterie entre 5 et 15 minutes ou sur Stay On (reste allumé).
Préchauffer 5 minutes avant de commencer la cuisson au four.
5. Lorsque la cuisson est terminée, tourner le bouton sur OFF (arrêt). Débrancher de la prise de courant.

Conseils de cuisson

- La méthode de cuisson par convection cuit jusqu'à un tiers plus vite que la cuisson au four traditionnel.
- Lors de l'utilisation la première fois, vérifier pour déterminer si la durée ou la température doivent être ajustées.
- Pour réduire le risque d'incendie, ne pas utiliser des sacs de cuisson au four dans le four grille-pain.
- Le mode « fan only » (ventilateur uniquement) active le ventilateur de convection (sur certains modèles) qui fait circuler l'air dans la cavité du four.



Pour la cuisson au grill

1. Placer la grille sur la position **supérieure** ou **médiane**. Mettre l'aliment sur la grille qui se trouve dans le plat de cuisson, puis placer celui-ci dans le four. Ne pas préchauffer le four.
2. Régler le bouton de température sur Broil (cuisson au grill).
3. Régler le bouton de fonction sur Broil.
4. Régler la minuterie entre 5 et 15 minutes ou sur Stay On (reste allumé).
5. Au milieu de la cuisson, ou lorsque les aliments sont dorés, les retourner pour faire dorer et cuire de l'autre côté.
6. Lorsque la cuisson est terminée, tourner le bouton sur OFF (arrêt). Débrancher de la prise de courant.

5. Une fois terminé, éteindre le four et débrancher de la prise de courant.

AVERTISSEMENT

Risque d'incendie

Ne jamais laisser le four sans surveillance durant la cuisson, que ce soit en mode Broil (gril) ou Toast (pain grillé).

Conseils pour le brunissement !

- Pour obtenir de meilleurs résultats, ne pas préchauffer le four avant la cuisson au grill.
- Utiliser la grille du four à la position **supérieure** pour des durées de cuisson plus rapides au grill. Utiliser la position **inférieure** pour les aliments qui ont besoin de cuisson plus longue au grill, comme le poulet.
- Toujours laisser au moins 2,5 cm (1 po) entre l'aliment et l'élément de chauffage.

Tableau de cuisson au grill

Aliment	Quantité	Durée approx.
Hamburgers	4, 1-pouce d'épaisseur	20 minutes
Bacon	4 tranches	10 minutes
Hot Dogs	8	15 minutes
Saucisses en ruban ou galettes (percer l'enveloppe avant la cuisson)	8	15 à 20 minutes
Poisson	4 filets	15 minutes

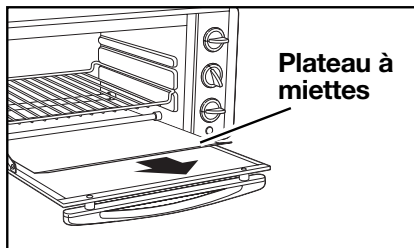
Ces temps de cuisson sont une moyenne et doivent être ajustés selon les préférences individuelles. Tourner les aliments à la mi-temps de cuisson.

Nettoyage du four grille-pain

Pour un bon fonctionnement et pour prolonger la durée de vie du produit, nettoyer le four grille-pain régulièrement.

1. Débrancher le four et le laisser refroidir.
2. Laver la grille du four et de plat de cuisson dans l'eau savonneuse chaude. Rincer et sécher.
3. Pour nettoyer le plateau à miettes, le retirer en le glissant et l'essuyer avec un chiffon humide. Le remettre en place en le glissant.
4. Pour nettoyer l'extérieur du four, essuyer avec un linge humide. Ne pas utiliser de nettoyants abrasifs. Ne pas nettoyer avec des tampons à récurer en laine d'acier.

REMARQUE : Certains modèles sont autonettoyants. Le nettoyage des parois intérieures du four n'est pas nécessaire sur ces modèles.



Recettes

Poulet rôti

Pour rôti un poulet entier dans le four, il doit peser au maximum 4 livres. Rôtissez le poulet à 350°F (180°C) pendant 2½ heures ou à une température interne de 180°F (82°C).

Pommes de terre au four

2 pommes de terre moyennes à cuisson au four, environ 10 onces chacune
Laver les pommes de terre, puis les percer avec une fourchette. Placer les pommes de terre dans le plat de cuisson et le placer dans le four à 425 degrés. Faire cuire pendant une heure ou jusqu'à ce qu'elles soient cuites. Ne pas envelopper dans du papier d'aluminium; cela risque de prolonger la durée de cuisson.

Trempepette piquante mexicaine aux fèves

Boîte de 15 onces de fèves noires, bien égouttées

1 c. à thé de sauce au poivre piquant

⅓ tasse de crème sure

⅓ tasse de salsa

4 oz de fromage Monterey Jack, râpé

Faire une purée avec les fèves. Ajouter la sauce au poivre piquante, la crème sure, la salsa et la moitié du fromage. Placer à la cuiller dans un moule peu profond. Saupoudrer le reste du fromage sur le dessus. Faire cuire à 350°F (180°C) environ 10 minutes, ou jusqu'à formation de bulles. Servir avec des croustilles tortilla.

Mini-pains de viande

1 lb de boeuf maigre haché
1 petit oignon, finement haché
¾ tasse de chapelure fraîche
1 oeuf, fouetté
1 c. à soupe de fromage parmesan râpé
1 c. à soupe de persil frais, finement haché
¾ c. à thé de sel et de poivre

Combiner tous les ingrédients et bien mélanger. Répartir le mélange dans 6 godets de moule à muffins. Faire cuire à 350°F (180°C) pendant 30 minutes, ou jusqu'à cuisson complète. Donne 4 à 6 portion.

Muffins minute

1 tasse de farine autolevante
½ tasse de lait
2 c. à soupe de mayonnaise ou de crème sure

Mélanger ensemble tous les ingrédients. Placer à la cuiller dans un moule à muffins graissé de 6 godets. Faire cuire à 450°F (230°C) pendant 12 minutes, ou jusqu'à cuisson complète.

Pizza 5 minutes

Muffins anglais, coupés en deux et légèrement rôtis
Sauce de pizza ou de spaghetti
Fromage mozzarella râpé
Tranches de pepperoni

Placer les demi-muffins sur le plat à cuisson, le côté coupé vers le haut. Répandre un peu de sauce sur le dessus de chaque muffin. Saupoudrer de fromage, ensuite garnir avec pepperoni. Placer l'ustensile dans le four grille-pain et faire cuire à 450°F (230°C) pendant environ 5 minutes, ou jusqu'à ce que le fromage fonde.

Dépannage

Question	Réponse
Le four grille-pain ne chauffe pas.	Vérifier que la prise de courant fonctionne et que le four est bien branché. Tourner ensuite le bouton de température sur 350°F, tourner le bouton de fonction sur Bake (cuisson au four), puis tourner la minuterie à Stay On (reste allumé).
Le four grille-pain ne rôtit pas.	Vérifier pour s'assurer que la prise de courant fonctionne et que le four est bien branché. <ol style="list-style-type: none"> 1. Tourner le bouton de température sur Toast (rôtie). 2. Tourner le bouton de fonction sur Toast. 3. Tourner le bouton de la minuterie/ nuance des rôties sur une nuance.
De l'humidité se forme sur l'intérieur de la porte du four lorsque le four fonctionne.	Ceci est normal lorsque le pain est rôti dans un four grille-pain. L'humidité est plus lente à s'échapper du four grille-pain que d'un grille-pain ordinaire. La quantité d'humidité sera différente entre le pain frais, les bagels et les pâtisseries congelées.
Une odeur et de la fumée s'échappent du four	La fumée et l'odeur sont normales durant la première utilisation de la plupart des appareils électroménagers de chauffage. Ceci ne se présentera plus après la période de chauffage initiale.
Certains aliments brûlent et d'autres ne sont pas cuits.	Utiliser la position de la grille du four pour centrer l'aliment dans le four. Ajuster la température du four ou le temps de cuisson pour obtenir les meilleurs résultats avec vos recettes.

Service aux clients

Si vous avez une question au sujet de l'appareil, composer notre numéro sans frais d'interurbain de service aux clients. Avant de faire un appel, veuillez noter le modèle, le type et les numéros de série, et fournir ces renseignements ci-dessous. Ces numéros se trouvent à la base de l'appareil. Ces renseignements nous aideront à répondre beaucoup plus vite à toute question.

MODÈLE : _____ **TYPE :** _____ **SÉRIE :** _____

Cette garantie s'applique aux produits achetés aux É.-U. ou au Canada.

GARANTIE LIMITÉE

Ce produit est garanti être exempt de vices de matériau et de fabrication pendant une période d'un (1) an pour les produits Hamilton Beach ou cent quatre-vingt (180) jours pour les produits Proctor-Silex et Traditions à partir de la date de l'achat original, excepté ce qui est noté ci-dessous. Au cours de cette période, nous réparerons ou remplacerons ce produit sans frais, à notre discrétion. LA GARANTIE CI-DESSUS REMPLACE TOUTE AUTRE GARANTIE EXPRESSE OU IMPLICITE, ÉCRITE OU ORALE, Y COMPRIS TOUTE GARANTIE DE QUALITÉ MARCHANDE OU DE CONFORMITÉ À UNE FIN PARTICULIÈRE. TOUTE RESPONSABILITÉ EST EXPRESSÉMENT LIMITÉE À UN MONTANT ÉGAL AU PRIX D'ACHAT PAYÉ ET TOUTES LES RÉCLAMATIONS POUR DOMMAGES SPÉCIAUX ET INDIRECTS SONT PAR LES PRÉSENTES EXCLUES.

La garantie ne s'applique pas aux accessoires suivants qui s'usent et peuvent accompagner ce produit : pièces en verre, récipients en verre, couteaux/tamis, lames, joints de robinet de vidange, joints d'étanchéité, embrayages et/ou agitateurs. Cette garantie ne s'applique qu'à l'acheteur d'origine et ne couvre pas un vice causé par l'abus, le mésusage, la négligence, l'usage à des fins commerciales ou tout autre usage non prescrit dans le mode d'emploi. Cette garantie vous confère des droits juridiques spécifiques et vous pouvez aussi jouir d'autres droits juridiques qui peuvent varier d'un État à un autre ou d'une province à une autre. Certains États ou provinces ne permettent pas les limitations sur les garanties implicites ou les dommages spéciaux ou indirects de telle sorte que les limitations ci-dessus ne s'appliquent peut-être pas dans votre cas.

Si vous désirez procéder à une réclamation en vertu de cette garantie, NE RETOURNEZ PAS L'APPAREIL AU MAGASIN! Veuillez téléphoner au NUMÉRO DU SERVICE À LA CLIENTÈLE. (Pour un service plus rapide, ayez à portée de la main les numéros de série et de modèle et de type de votre appareil lorsque vous communiquez avec un représentant.)

NUMÉROS DU SERVICE À LA CLIENTÈLE

Aux États-Unis 1-800-851-8900

Au Canada 1-800-267-2826

hamiltonbeach.com • proctorsilex.com

CONSERVEZ CES NUMÉROS POUR RÉFÉRENCE ULTÉRIEURE!

⚠️ ADVERTENCIA

Peligro de incendio

- No opere sin vigilancia mientras usa el modo Toast (tostar).
- No use con bolsas de cocción en el horno.
- No almacene ningún material, diferente a los accesorios recomendados, en este horno cuando no esté en uso.
- Siempre deje al menos una pulgada (2,5 cm) entre los alimentos y el elemento de calefacción.
- No cubra o use cerca de cortinas, paredes, gabinetes, papel o productos de plástico, toallas, etc. Mantenga a una distancia de 2 a 4 pulgadas (5 a 10 cm) de la pared o de cualquier objeto en el mostrador.
- Es necesario que haya una supervisión cuando niños lo utilicen o se utilice cerca de ellos.
- Siempre desconecte el horno eléctrico cuando no esté en uso.
- Una limpieza periódica reduce el riesgo de incendio.
- Si el contenido se prende en llamas, no abra la puerta del horno. Desconecte el horno y deje que el contenido termine de quemarse y se enfríe antes de abrir la puerta.
- No seguir estas instrucciones puede resultar en muerte o incendio.

Peligro de choque eléctrico

- No sumerja este aparato en agua u otro líquido.
- Este aparato cuenta con un enchufe polarizado (una pata más ancha) que reduce el riesgo de choque eléctrico. El enchufe calza únicamente en una dirección dentro del tomacorriente polarizado. No trate de obviar el propósito de seguridad del enchufe al tratar de modificarlo de alguna manera o al usar un adaptador. Si el enchufe no calza, invíértalo. Si aún así no calza, llame a un electricista para que reemplace el tomacorriente.

SALVAGUARDIAS IMPORTANTES

Cuando use aparatos eléctricos, es importante seguir todas las precauciones básicas de seguridad que incluyen lo siguiente:

1. Lea todas las instrucciones.
2. Verifique que el voltaje de su instalación corresponda con el del aparato.
3. No toque superficies calientes. Use manijas o perillas.
4. Para protegerse contra el riesgo de choque eléctrico, no sumerja el cable, el enchufe o el horno eléctrico en agua ni en ningún otro líquido.
5. Es necesario que haya buena supervisión cuando los niños utilicen electrodomésticos o cuando éstos se estén utilizando cerca de niños.
6. Desenchúfelo del tomacorriente cuando no lo esté usando y antes de la limpieza. Deje que se enfríe antes de limpiar el aparato o de colocar o sacar alguna pieza.
7. No opere ningún aparato electrodoméstico si el cordón o el enchufe están averiados, después de un mal funcionamiento del aparato, o si éste se ha caído o averiado de alguna forma. Llame a nuestro número gratuito de servicio al cliente, para obtener información sobre el examen, la reparación o la regulación del aparato.
8. El uso de accesorios no recomendados por el fabricante del aparato puede causar lesiones.
9. No lo use al aire libre.
10. No deje que el cable cuelgue sobre el borde de una mesa o de un mostrador, incluyendo la estufa.
11. No coloque el aparato sobre o cerca de un quemador a gas o eléctrico caliente, ni dentro de un horno caliente.

12. Es importante tener bastante cuidado cuando se mueva un electrodoméstico que contenga aceite caliente u otros líquidos calientes. Asegúrese de dejar enfriar aceite o líquidos calientes antes de desplazar el aparato.
13. Para desconectar, coloque todos los controles en la posición apagada (OFF/O), y luego saque el enchufe del tomacorriente.
14. Tenga mucho cuidado cuando saque la charola o elimine la grasa caliente.
15. No limpie con esponjillas metálicas. La esponjilla se puede desintegrar y los trozos pueden tocar las partes eléctricas, creando un riesgo de choque eléctrico.
16. No introduzca alimentos ni utensilios metálicos de tamaño demasiado grande en el horno eléctrico ya que pueden crear un incendio o riesgo de choque eléctrico.
17. Puede ocurrir un incendio si el horno eléctrico se cubre, toca o se encuentra cerca de materiales inflamables, incluyendo cortinas, colgaduras, paredes y superficies similares cuando esté funcionando. No ponga nada sobre el aparato cuando esté funcionando, o antes de que el aparato se enfríe.
18. Se debe tener mucho cuidado cuando se usen envases que no sean de metal o de vidrio.
19. Cuando no esté en uso, no guarde ningún material en este horno que no sean los accesorios recomendados por su fabricante.
20. No coloque ninguno de los siguientes materiales en el horno: papel, cartón, plástico y similares.
21. No cubra la charola para migajas ni ninguna otra parte del horno con papel metálico. Eso puede hacer que el horno se recaliente.
22. Para apagar el horno o parar un ciclo de tostado, rote la perilla Timer (temporizador) hacia la posición OFF (apagado).
23. No ponga los ojos o la cara cerca de la puerta de seguridad de vidrio templado, en caso de que el vidrio de seguridad se rompa.
24. No use el aparato electrodoméstico para ningún otro fin que no sea el indicado.
25. Antes de usar este aparato, muévalo entre 2 y 4 pulgadas (5 y 10 cm) lejos de la pared o de cualquier objeto que se pueda haber colocado cerca o sobre el mismo. No lo use sobre superficies en donde el calor pueda ocasionar problemas.
26. Si el enchufe se calienta, llame a un electricista competente.
27. La puerta del horno no es un estante. No coloque alimentos pesados en la puerta.
28. Tenga mucho cuidado al extender la rejilla o al agregar alimentos en la rejilla extendida.

¡GUARDE ESTAS INSTRUCCIONES!

Información para la seguridad del consumidor

Este aparato ha sido diseñado solamente para uso doméstico.

El largo del cable que se usa en este aparato fue seleccionado para reducir el peligro de que alguien se enganche o tropiece con un cordón más largo. Si se necesita un cordón más largo, se puede usar un cable de extensión aprobado. La clasificación nominal eléctrica del cable de extensión deberá ser igual o mayor que la clasificación nominal del horno eléctrico. Es importante tener cuidado de colocar el cable de extensión para que no se cuelgue sobre el mostrador o la mesera en donde niños puedan jalar el mismo o tropezarse accidentalmente.

Este aparato viene equipado con una puerta de seguridad de vidrio totalmente templado. El vidrio templado es cuatro veces más fuerte que el vidrio común y más resistente a las roturas. El vidrio templado se puede romper, sin embargo se rompe en trozos sin bordes filosos.

Es importante tener cuidado para evitar rayar la superficie de la puerta o hacer muescas en los bordes. Si la puerta está rayada o tiene muescas, llame al número de teléfono gratuito para servicio al cliente.

Cuando los alimentos pesados estén en la rejilla del horno, no jale hacia fuera más de la mitad de la rejilla. Para rociar los alimentos con el jugo de la cocción o para revisar el término de cocimiento, saque los alimentos del horno y coloque en la superficie del mostrador o base resistente al calor.

No coloque la charola para hornear directamente encima de los elementos de calefacción.

Para evitar una sobrecarga en el circuito, no haga funcionar ningún otro aparato de alto vataje en el mismo circuito que el horno eléctrico.

Antes del primer uso

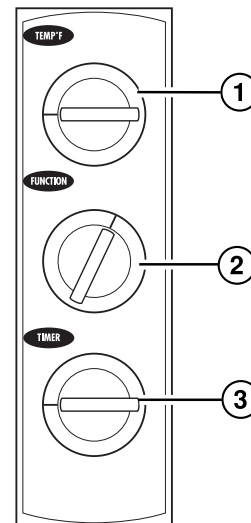
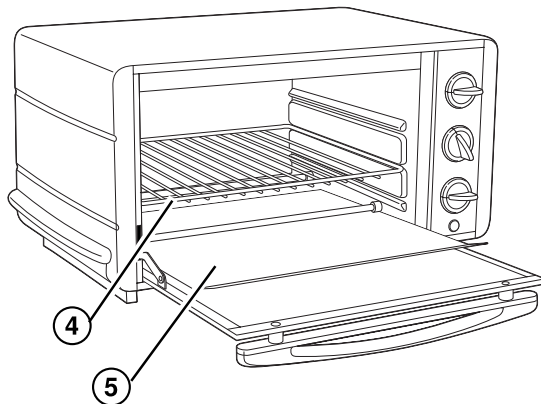
La mayoría de los aparatos de calentamiento producen un olor y/o humo cuando se usan por primera vez. Enchufe el horno eléctrico en el tomacorriente. Gire el Interruptor de Control del horno a 450°F. Coloque el Control de tostado/Temporizador en la posición de Horno encendido (Oven

ON). Caliente a esta temperatura por 10 minutos. El olor deberá desaparecer después del precalentamiento inicial.

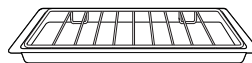
Retire la charola de hornear, la rejilla para asar a la parrilla y la rejilla del horno. Lávelas en agua caliente y jabonosa. Enjuague y seque.

Piezas y características

1. Perilla de temperatura
2. Perilla de funciones (las funciones pueden cambiar dependiendo del modelo)
3. Control del horno ON/OFF (encendido/apagado)/Programador de tiempo/Perilla de color de tostado
4. Rejilla del horno
5. Charola para migajas deslizable
6. Rejilla para asar
7. Charola para hornear



Rejilla para asar



Charola para hornear

Cuando se está asando, la rejilla para asar debe colocarse sobre la charola para hornear, como puede verse en la ilustración.

Posiciones de la rejilla del horno

El horno cuenta con ranuras en las paredes laterales que permiten que la rejilla del horno se coloque en diferentes posiciones.

Posición media de la rejilla

- Para hornear y asar

Posiciones alta y baja de la rejilla

- Use la posición de **rejilla alta** para asar y tostar
- Use la posición de **rejilla baja** para hornear

Tamaños de las charolas para asar (Sólo en modelos especiales)

Las siguientes charolas para asar pueden adaptarse a su horno eléctrico. Para confirmarlo, coloque la charolas para asar en el horno y verifique que encaje bien antes de preparar la receta.

Asadera para 6 muffins
 Molde de pan de 8 x 4 pulgadas*
 Molde de pan de 9 x 5 pulgadas*
 Recipientes para hornear redondos o cuadrados de 8 pulgadas

La mayoría de las fuentes o cazuelas para horno de 1 a 1½ cuartos.

*Los moldes para pan entran bien pero no deben llenarse a más de la mitad

Cómo usar el horno

Para tostar

1. Coloque la rejilla del horno en la posición **alta** para pan, panecillos o waffles congelados. Coloque la rejilla del horno en la posición **media** para bagels o muffins ingleses (ver Consejos de tostado).
2. Configure la Perilla de temperatura en **Broil-Tost**.
3. Configure la Perilla de funciones en Tostar.
4. Gire la Perilla de color de tostado a por lo menos 5 y luego vuelva a la configuración de color de tostado deseada (para tiempos precisos debajo de los 5 minutos).
5. Sonará una campanilla cuando se haya completado el ciclo. Cuando haya finalizado, apague (OFF). Desenchufe del tomacorriente.

⚠️ ADVERTENCIA

Peligro de incendio

No deje el horno sin atención durante el tostado o dorado superior.

¡Consejos de tostado!

- **Cuando tueste sólo dos rebanadas de pan**, coloque el pan hacia el frente del horno para lograr un tostado parejo en las partes superior e inferior.
- **Para tostar bagels**, coloque la rejilla del horno en la posición **media** y ponga los bagels con el lado cortado hacia abajo. Esto hará que la parte cortada se tueste más que la externa. Use la Perilla de color de tostado con la configuración deseada.
- **Para tostar muffins ingleses**, coloque la rejilla del horno en la posición **media** y ponga los muffins ingleses con el lado partido hacia abajo. Use la Perilla de color de tostado con la configuración oscura.
- **Para tostar pasteles normales, pasteles congelados o waffles**, coloque la rejilla del horno en la posición **media**. Seleccione un color claro y tueste directamente sobre la rejilla del horno. Si los pasteles tienen un glaseado de cobertura, utilice la charola para hornear.
- Cuando esté tostando, puede formarse **condensación** en la puerta del horno. La humedad se escapará lentamente del horno cerrado.

¡Consejos de tostado!

- La **cantidad de rebanadas** de pan y la **frescura del pan** afectarán el color de tostado. Por ejemplo, tostar 4 rebanadas de pan requerirá una configuración de color de tostado más oscura que 2 rebanadas de pan. Ajuste la Perilla de color de tostado en base al color deseado y la cantidad de rebanadas.
- Si no está satisfecho con el equilibrio de color entre los dos lados de los alimentos en la posición de rejilla recomendada, seleccione una posición de rejilla diferente.

Para mantener caliente (sólo en modelos especiales)

1. Configure la Perilla de temperatura en "Keep Warm" (mantener caliente).
2. Configure la Perilla de funciones en "Keep Warm" (mantener caliente).
3. Configure el Temporizador entre 5 y 15 minutos o en "Stay On" (permanecer encendido).
4. Cuando haya finalizado, apague el horno. Desenchufe del tomacorriente.

Para hornear y cocina tradicional

1. Coloque la rejilla del horno en las posiciones **media** o **baja** dependiendo de los alimentos que se cocinarán.
2. Configure la Perilla de temperatura a la temperatura deseada.
3. Configure la Perilla de funciones en BAKE (hornear).
4. Configure el Programador de tiempo entre 5 y 15 minutos o en "Stay On" (permanecer encendido).
Pre caliente 5 minutos antes de comenzar a hornear.
5. Cuando haya finalizado, apague el horno (OFF). Desenchufe del tomacorriente.

⚠ ADVERTENCIA

Peligro de incendio

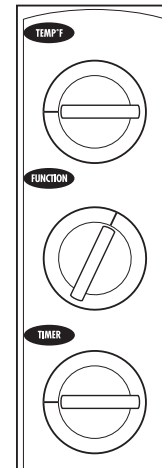
- No deje el horno sin atención mientras opera.
- Deje 2.5 centímetros (una pulgada) entre la comida y el elemento calefactor.
- No use bolsas de cocción en el horno.
- No caliente alimentos en contenedores de plástico.
- Siga las instrucciones del fabricante del alimento.

¡Consejos para calentar y recalentar!

- No cierre del todo los alimentos en papel de aluminio. El papel del aluminio puede aislar los alimentos y demorar el calentamiento.
- Para recalentar panecillos o galletas, colóquelas en una charola para hornear y caliente a 300°F durante 10 minutos.
- Recaliente los restos de asados o guisos a 350°F durante 20 a 30 minutos o hasta que se hayan calentado bien.

Para hornear y cocinar a convección rápida

1. Coloque la rejilla del horno en las posiciones media o baja dependiendo del alimento que se cocinará.
2. Configure la Perilla de temperatura a la temperatura deseada.
3. Configure la Perilla de funciones a "Rapid Cook" (cocción rápida).
4. Configure el Programador de tiempo entre 5 y 15 minutos o en "Stay On" (permanecer encendido).
Precaliente 5 minutos antes de comenzar a hornear.
5. Cuando haya finalizado, apague el horno (OFF). Desenchufe del tomacorriente.



¡Consejos para cocinar a convección!

- El método de convección cocina hasta 1/3 de tiempo más rápido que el horneado convencional.
- La primera vez que lo utilice, verifique para determinar si deberían modificarse el tiempo o la temperatura.
- Para reducir el riesgo de incendio, no utilice bolsas de cocción en el horno tostador.
- El modo "Fan Only" (sólo ventilador) hace funcionar el ventilador de convección (en modelos especiales) lo que hace circular el aire en la cavidad de horno.

Para asar

1. Coloque la rejilla del horno en las posiciones **alta** o **media**. Deposite la comida en la rejilla para asar sobre la charola para hornear y coloque en el horno. No precaliente el horno.
2. Configure la Perilla de temperatura en Broil (asar).
3. Configure la Perilla de funciones en Broil (asar).
4. Configure el Programador de tiempo entre 5 y 15 minutos o en Stay On (permanecer encendido).
5. Cuando se cumpla la mitad del tiempo de cocción, o cuando los alimentos se hayan dorado, dé vuelta la comida y cocínela del otro lado.
6. Cuando haya finalizado, apague el horno (OFF). Desenchufe del tomacorriente.

⚠ ADVERTENCIA

Peligro de incendio

No deje el horno sin atención durante el tostado o dorado superior.

¡Consejos para asar!

- Para mejores resultados, no precaliente el horno cuando ase.
- Utilice la rejilla del horno en la posición alta para lograr tiempos de asado más rápidos. Utilice la posición baja en alimentos que necesiten tiempos de asado más prolongados, como el pollo.
- Siempre deje por lo menos una pulgada entre los alimentos y el elemento calentador.

Tabla de tiempos para asar a la parrilla

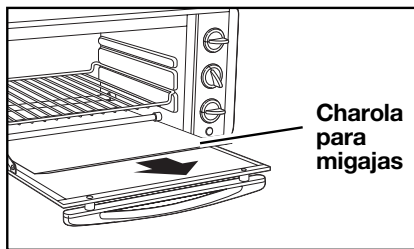
Alimento	Cantidad	Tiempo aproximado
Hamburguesas	4 de 1 pulgada de grueso	20 minutos
Tocino	4 tajadas	10 minutos
Hot dogs	8	15 minutos
Salchichas o albóndigas (perforar la piel antes de cocinar)	8	15 a 20 minutos
Pescado	4 filetes	15 minutos

Estos tiempos de cocción son un promedio y deben ajustarse a las preferencias individuales. Dé vuelta los alimentos cuando se cumpla la mitad del tiempo de cocción.

Cómo limpiar su horno tostador

Para un mejor desempeño y una vida útil prolongada, limpie el horno tostador de manera regular.

1. Desenchufe el horno y deje que se enfríe.
2. Lave la rejilla del horno y la charola para hornear con agua caliente jabonosa. Enjuague y seque.
3. Para limpiar la charola para migajas, deslice hacia afuera y limpie la charola con un paño húmedo. Vuelva a colocar en su lugar.
4. Para limpiar la parte externa del horno, limpie con un paño húmedo. No utilice limpiadores abrasivos. No limpie con esponjillas metálicas.
NOTA: Los modelos especiales cuentan con la característica autolimpiante continua. En esos modelos, no es necesario limpiar las paredes internas del horno.



Recetas

Papas al horno

2 papas medianas, de alrededor de 10 onzas (285g) cada una.

Lave las papas y luego corte la piel con un tenedor. Coloque las papas en una bandeja para hornear y introduzca en el horno caliente a 425°F (220°C). Cocine durante 1 hora o hasta que estén hechas. No las envuelva en papel de aluminio ya que esto prolonga los tiempos de cocción.

Pollo al horno

Para asar un pollo entero en el horno, éste debe ser de 4 libras o menos. Ase el pollo a 350°F (180°C) durante 2? horas o hasta que alcance una temperatura interna de 180°F (82°C).

Salsa mexicana caliente de frijoles

2 latas de 15 onzas de frijoles negros, bien escurridos
1 cucharadita de salsa de chiles (ají picante)
½ taza de crema agria
½ taza de salsa
8 onzas de queso Monterrey Jack, rallado

Muela los frijoles negros. Agregue la salsa de chile, la crema agria, la salsa y la mitad del queso. Vierta con una cuchara en una fuente llana de 1 cuarto. Espolvoree el resto del queso sobre la mezcla. Hornee a 350°F por unos 15 minutos o hasta que comience a burbujear. Sirva con tortilla chips. **Se obtienen 8 porciones de aperitivo.**

Muffins al minuto

1 taza de harina leudante
½ taza de leche
2 cucharadas de mayonesa o crema agria

Mezcle los ingredientes. Deje caer la mezcla con una cuchara en un molde para 6 muffins engrasado. Hornee a 450°F durante 12 minutos o hasta que estén prontos. **Se obtienen 6 muffins.**

Panecillos de carne

1 libra de carne molida magra
1 cebolla pequeña, picada fina
¾ taza de pan rallado fresco
1 huevo batido
1 cucharada de queso parmesano rallado
1 cucharada de perejil fresco, picado fino
¼ cucharadita de sal y de pimienta.

Combine todos los ingredientes y mézclelos bien. Divida la mezcla entre una asadera para 6 bollos. Hornee a 350°F por 30 minutos o hasta que estén hechos. **Se obtienen entre 4 y 6 panecillos.**

Localización de fallas

Pregunta	Respuesta
El horno eléctrico no calienta.	Verifique que el tomacorriente esté funcionando y que el horno esté enchufado. Luego gire la Perilla de temperatura a 350°F, gire la Perilla de funciones a Bake (hornear), y gire el Programador de tiempo a "Stay On" (permanecer encendido).
El horno eléctrico no llega a tostar.	Verifique que el tomacorriente esté funcionando y que el horno esté enchufado. <ol style="list-style-type: none"> 1. Gire la Perilla de temperatura a "Toast" (tostar). 2. Gire la Perilla de funciones a "Toast" (tostar). 3. Gire el Programador de tiempo/Perilla de color de tostado a un color de tostado determinado.
Se forma humedad en el interior de la puerta del horno cuando se tostan alimentos.	Esto es normal cuando se tostan alimentos en un horno eléctrico. La humedad se escapa más lentamente de un horno eléctrico que de un tostador común. La cantidad de humedad será diferente según sea pan fresco, bagels o pasteles congelados.
Olor y humo salen del horno eléctrico.	El humo y el olor son normales durante el primer uso de la mayoría de aparatos de calentamiento. Esto desaparecerá después del período inicial de calentamiento.
La Luz Indicadora permanece iluminada.	Haga girar el Selector de tostado/Programador de tiempo a la posición apagada (OFF). Si la luz permanece iluminada, desenchufe la unidad y llame a nuestro número de llamada gratis de larga distancia para servicio al cliente para obtener información sobre el examen, la reparación o el ajuste del aparato. No continúe usando su horno eléctrico.
Ciertos alimentos se queman y otros no se cocinan.	Use la posición de la rejilla del horno para centrar los alimentos en el horno. Regule la temperatura del horno o el tiempo de cocción para obtener los mejores resultados con sus recetas.
El exterior del horno se calienta.	Es importante que tenga cuidado. La parte superior y los costados del horno se calientan mucho, pero esto es normal.

Hamilton Beach**Proctor Silex**

Grupo HB PS, S.A. de C.V.
 Monte Elbruz No. 124 Int. 601
 Col. Palmitas Polanco
 México, D.F. C.P. 11560
 Tel. 52 82 31 05 y 52 82 31 06
 Fax. 52 82 3167

PÓLIZA DE GARANTÍA

PRODUCTO:		MARCA:	Hamilton Beach: <input type="checkbox"/> Proctor-Silex: <input type="checkbox"/>	MODELO:
<p>Hamilton Beach/Proctor-Silex cuenta con una Red de Centros de Servicio Autorizada, por favor consulte en la lista anexa el nombre y dirección de los establecimientos en la República Mexicana en donde usted podrá hacer efectiva la garantía, obtener partes, componentes, consumibles y accesorios; así como también obtener servicio para productos fuera de garantía. Para mayor información llame sin costo: Centro de Atención al consumidor: 01 800 71 16 100</p>				
<p>Grupo HB PS, S.A. de C.V. le otorga a partir de la fecha de compra: GARANTÍA DE 1 AÑO.</p>				
COBERTURA				
<ul style="list-style-type: none"> • Esta garantía ampara, todas las piezas y componentes del producto que resulten con defecto de fabricación incluyendo la mano de obra. • Grupo HB PS, S.A. de C.V. se obliga a reemplazar, reparar o reponer, cualquier pieza o componente defectuoso; proporcionar la mano de obra necesaria para su diagnóstico y reparación, todo lo anterior sin costo adicional para el consumidor. • Esta garantía incluye los gastos de transportación del producto que deriven de su cumplimiento dentro de su red de servicio. 				
LIMITACIONES				
<ul style="list-style-type: none"> • Esta garantía no ampara el reemplazo de piezas deterioradas por uso o por desgaste normal, como son: cuchillas, vasos, jarras, filtros, etc. • Grupo HB PS, S.A. de C.V. no se hace responsable por los accidentes producidos a consecuencia de una instalación eléctrica defectuosa, ausencia de toma de tierra, clavija de enchufe en mal estado, etc. 				
EXCEPCIONES				
<p>Esta garantía no será efectiva en los siguientes casos:</p> <ol style="list-style-type: none"> a) Cuando el producto se hubiese utilizado en condiciones distintas a las normales. (Uso industrial, semi-industrial o comercial.) b) Cuando el producto no hubiese sido operado de acuerdo con el instructivo de uso. c) Cuando el producto hubiese sido alterado o reparado por personas no autorizadas por Grupo HB PS, S.A. de C.V. el fabricante nacional, importador o comercializador responsable respectivo. <p>El consumidor puede solicitar que se haga efectiva la garantía ante la propia casa comercial donde adquirió su producto, siempre y cuando Grupo HB PS, S.A. de C.V. no cuente con talleres de servicio.</p>				
PROCEDIMIENTO PARA HACER EFECTIVA LA GARANTÍA				
<ul style="list-style-type: none"> • Para hacer efectiva la garantía no deben exigirse mayores requisitos que la presentación del producto y la póliza correspondiente, debidamente sellada por el establecimiento que lo vendió. • Para hacer efectiva la garantía, lleve su aparato al Centro de Servicio Autorizado más cercano a su domicilio (consulte la lista anexa). • Si no existe Centro de Servicio Autorizado en su localidad siga las siguientes instrucciones: <ol style="list-style-type: none"> 1. Empaque su producto adecuadamente para que no se dañe durante el traslado. 2. Anote claramente sus datos y los del Centro de Servicio al que está enviando el producto. 3. No incluya partes sueltas ni accesorios para evitar su pérdida. • El tiempo de reparación, en ningún caso será mayor de 30 días naturales contados a partir de la fecha de recepción del producto en nuestros Centros de Servicio Autorizados. • En caso de que el producto haya sido reparado o sometido a mantenimiento y el mismo presente deficiencias imputables al autor de la reparación o del mantenimiento dentro de los treinta días naturales posteriores a la entrega del producto al consumidor, éste tendrá derecho a que sea reparado o mantenido de nuevo sin costo alguno. Si el plazo de la garantía es superior a los treinta días naturales, se estará a dicho plazo. • El tiempo que duren las reparaciones efectuadas al amparo de la garantía no es computable dentro del plazo de la misma. Cuando el bien haya sido reparado se iniciará la garantía respecto de las piezas repuestas y continuará con relación al resto. En el caso de reposición del bien deberá renovarse el plazo de la garantía. 				

DÍA__ MES__ AÑO__	<p>Si desea hacer comentarios o sugerencias con respecto a nuestro servicio o tiene alguna queja derivada de la atención recibida en alguno de nuestros Centros de Servicio Autorizados, por favor dirigirse a:</p> <p>GERENCIA INTERNACIONAL DE SERVICIO (DIMALSA) Prof. Av. La Joya s/n. Esq. Av. San Antonio Col. El Infiernillo C.P. 54878 Cuautitlán, Edo de México Tel. (55) 58 99 62 42 · Fax. (55) 58 70 64 42 Centro de Atención al consumidor: 01 800 71 16 100</p>
-------------------	--

RED DE CENTROS DE SERVICIO AUTORIZADA GRUPO HB PS, S.A. DE C.V.

Distrito Federal

ELECTRODOMÉSTICOS
 Av. Plutarco Elías Calles No. 1499
 Zacahuitzco MEXICO 09490 D.F.
 Tel: 01 55 5235 2323
 Fax: 01 55 5243 1397

CASA GARCIA
 Av. Patriotismo No. 875-B
 Mixcoac MEXICO 03910 D.F.
 Tel: 01 55 5563 8723
 Fax: 01 55 5615 1856

Nuevo Leon

FERNANDO SEPULVEDA REFACCIONES
 Ruperto Martínez No. 238 Ote.
 Centro MONTERREY, 64000 N.L.
 Tel: 01 81 8343 6700
 Fax: 01 81 8344 0486

Jalisco

REF. ECONÓMICAS DE OCCIDENTE,
S.A. DE C.V.
 Garibaldi No. 1450
 Ladrón de Guevara
 GUADALAJARA 44660 Jal.
 Tel: 01 33 3825 3480
 Fax: 01 33 3826 1914

Chihuahua

DISTRIBUIDORA TURMIX
 Av. Paseo Triunfo de la Rep. No. 5289 Local 2 A.
 Int. Hipermart
 Alamos de San Lorenzo
 CD. JUAREZ 32340 Chih.
 Tel: 01 656 617 8030
 Fax: 01 656 617 8030

Modelo:	Tipo:	Características Eléctricas:
31170	O32	120 V~ 60 Hz 1350 W
31177	O22	120 V~ 60 Hz 1440 W
31173	O22	120 V~ 60 Hz 1440 W

Los números de modelo también pueden estar seguidos del sufijo "MX".

HAMILTON BEACH ♦ PROCTOR-SILEX, INC.

263 Yadkin Road
 Southern Pines, North Carolina 28387

840148200

hamiltonbeach.com • proctorsilex.com
 hamiltonbeach.com.mx • proctorsilex.com.mx

PROCTOR-SILEX CANADA, INC.

Picton, Ontario K0K 2T0

5/06

Free Manuals Download Website

<http://myh66.com>

<http://usermanuals.us>

<http://www.somanuals.com>

<http://www.4manuals.cc>

<http://www.manual-lib.com>

<http://www.404manual.com>

<http://www.luxmanual.com>

<http://aubethermostatmanual.com>

Golf course search by state

<http://golfingnear.com>

Email search by domain

<http://emailbydomain.com>

Auto manuals search

<http://auto.somanuals.com>

TV manuals search

<http://tv.somanuals.com>