



MODEL H8241 120V ON/OFF PADDLE SWITCH INSTRUCTIONS



Figure 1. H8241 ON/OFF Paddle Switch.

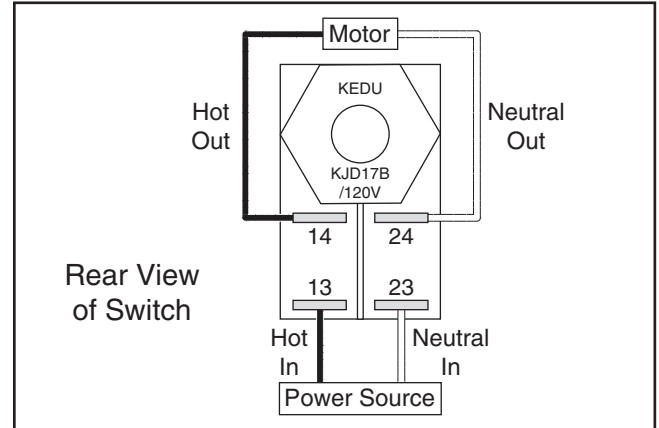


Figure 2. H8241 wiring diagram.

Introduction

The Model H8241 features a recessed ON (–) button that can be disabled with a padlock and a large OFF paddle that ensures fast shut off. The switch assembly will mount on a standard electrical box, or over a 1" x 2" opening.

Specifications

Rated HP	1/2 HP
Rated Voltage	120V
Rated Current	16A
Padlock Shaft Size	3/16"

Installation

When installing the H8241 switch, use the wiring diagram in **Figure 2** to ensure proper wire connections.

Note: Only use insulated quick-disconnect crimp-type female wire terminals with a 1/4" tab.



Switch Disabling Padlock

The switch can be disabled and locked by inserting a padlock through the ON/START button, as shown. Locking the switch in this manner can prevent unauthorized operation of the machine, which is especially important if the machine is not stored inside an access-restricted building.

IMPORTANT: Locking the switch with a padlock only restricts its function. It is not a substitute for disconnecting power from the machine when adjusting or servicing.

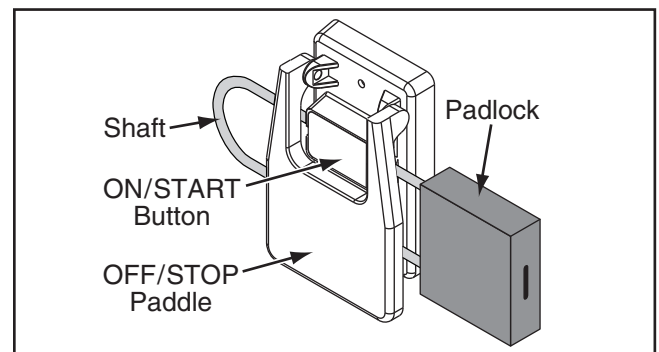


Figure 3. Switch disabled by a padlock.

If you need help with your new paddle switch, call our Tech Support at: (570) 546-9663.

COPYRIGHT © FEBRUARY, 2011 BY GRIZZLY INDUSTRIAL, INC.
WARNING: NO PORTION OF THIS INSTRUCTION SHEET MAY BE REPRODUCED IN ANY SHAPE OR FORM WITHOUT THE WRITTEN APPROVAL OF GRIZZLY INDUSTRIAL, INC.

#TS13813 PRINTED IN CHINA

Free Manuals Download Website

<http://myh66.com>

<http://usermanuals.us>

<http://www.somanuals.com>

<http://www.4manuals.cc>

<http://www.manual-lib.com>

<http://www.404manual.com>

<http://www.luxmanual.com>

<http://aubethermostatmanual.com>

Golf course search by state

<http://golfingnear.com>

Email search by domain

<http://emailbydomain.com>

Auto manuals search

<http://auto.somanuals.com>

TV manuals search

<http://tv.somanuals.com>