

# IKELITE RCD LIGHTS

RCD H, RCD H Rechargeable  
RCD Super-8, RCD Super-8 Rechargeable



- RCD H** – Intense 7.5w medium spot beam powered by 4 D-cell alkaline batteries.
- RCD HR** – Ultra-intense rechargeable. Penetrating 19w wide beam with blinding center spot.
- RCD Super-8** – Super intense 15w light powered by 8 alkaline D-cells. Interchangeable pistol and lantern grip handles provided.
- RCD Super-8R** – Blinding 25W intensity powered by industrial grade ni-cad module. Interchangeable pistol and lantern grip handles provided.

RCD – Revolutionary Clamp Design assures easy opening and dependable resealing. Comfortable hand grip for exploration night or day. Quartz halogen lamp and UV-coated patterned reflector create a magnificent beam with good peripheral coverage. Virtually indestructible casing.

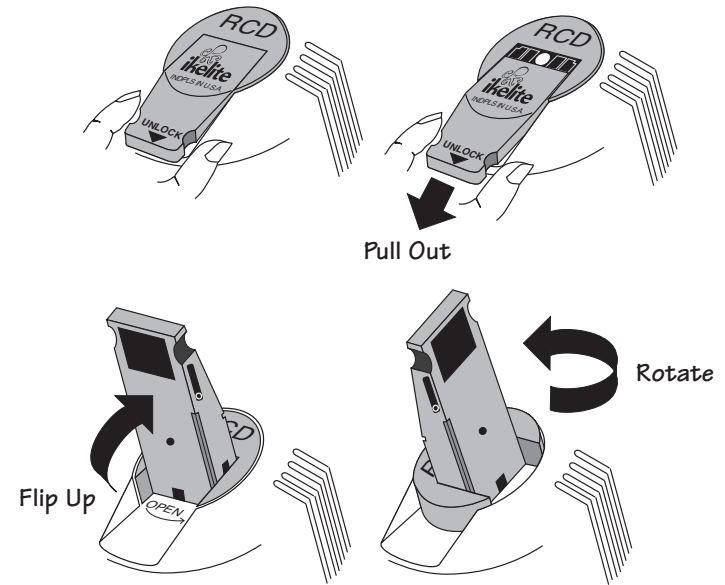
Rubber shroud protects the front lens while blocking side reflections. Large rotating switch and sliding lock afford easy operation even when wearing a bulky glove. Nickel plated brass contacts boost the electrical efficiency and corrosion resistance. Waterproof to 90m (300 feet).

**Legendary Flip-Lock Design** – You will never find the RCD stuck shut. Unique flip-lock lever makes opening and closing incredibly easy and dependable. Simply flip the locking lever up, rotate, and the internal spring automatically pushes open the light for easy bulb or battery replacement. Flip the locking lever down and the RCD seals with ease and confidence.

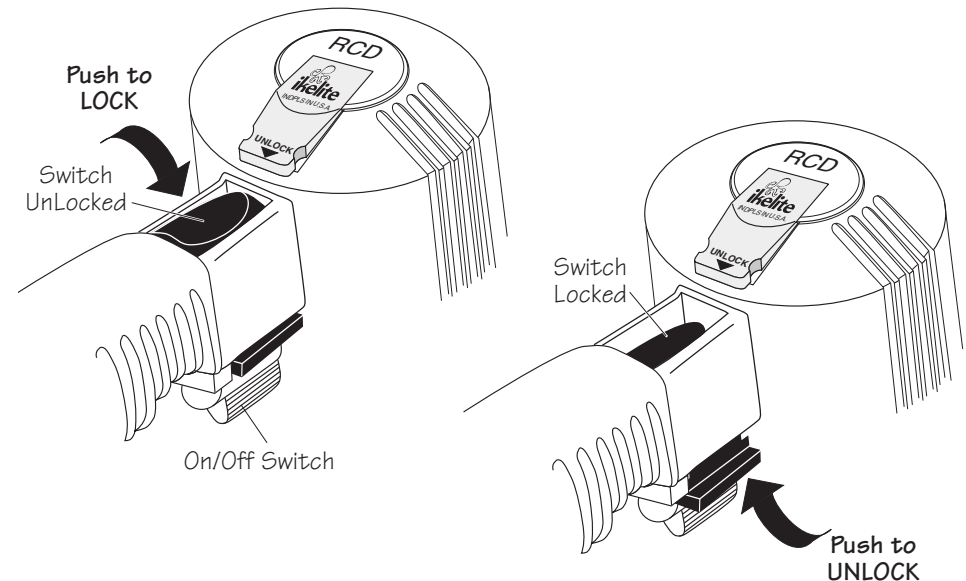
**NOTE:** Ikelite's black vinyl lanyard is NOT recommended for use with RCD Super-8/8R. The vinyl lanyard is designed to be broken in an emergency and the weight of the Super-8/8R may cause the lanyard to break during normal use.

**Note:** Please read all instructions before using this product.

## OPENING THE LITE



## ON/OFF SWITCH FOR RCD H AND HR



## SWITCH FOR RCD Super-8 MODEL NOT SHOWN

## BASIC OPERATION

### OPENING THE LITE

- Place the light face down on a flat surface.
- Slide the locking lever out and flip the lever up.
- Rotate the lever counter-clockwise 90° and the internal spring automatically pushes open the light.
- Lift the body off of the front. The batteries remain housed in the front.

There are two ways to slide the locking lever out: grasp the sides of the lever and pull out OR use your thumb to apply slight pressure to the top of the lever and slide it out.

### O-RING

Keep the o-ring and sealing surfaces clean. DO NOT stretch the o-ring when cleaning. It is not necessary to lubricate the o-ring. Never use spray lubricant because it will crack the plastic.

Place the clean o-ring on the inner ledge of the front head assembly.

### CLOSING THE LITE

- Make sure the on/off switch has been rotated to the off position.
- Place the front assembly face down on a flat surface. Check that the o-ring and sealing surfaces are clean; make sure the o-ring is positioned properly.
- Place the locking lever in the open position (slide the lever out, flip the lever up, and rotate the lever counterclockwise).
- Align the handle on the body with the front assembly as referenced. Lower the body on the front. Proper alignment of the body with the front is extremely important to avoid possible damage to the internal components.
- To seal the light, simply reverse the opening sequence. Press down slightly on the body and rotate the lever clockwise. Flip the lever down and slide the lever in to the locked position.

### ON/OFF SWITCH

The large rotating switch with sliding lock is easily operated with one hand. We recommend locking the switch when the light is not in use. Never look into the face of the lite because of its blinding intensity.

### RCD H and HR:

Grasp the light in your right hand. To unlock the switch, squeeze your index finger to slide the switch lock towards the back of the light. Rotate the switch to the right to turn on the light. Use your thumb to slide the switch lock forward to lock the switch in the off position.

### RCD Super-8 and Super-8R:

Slide the center switch lock forward to unlock the switch. Rotate the switch 90° to turn on the light.

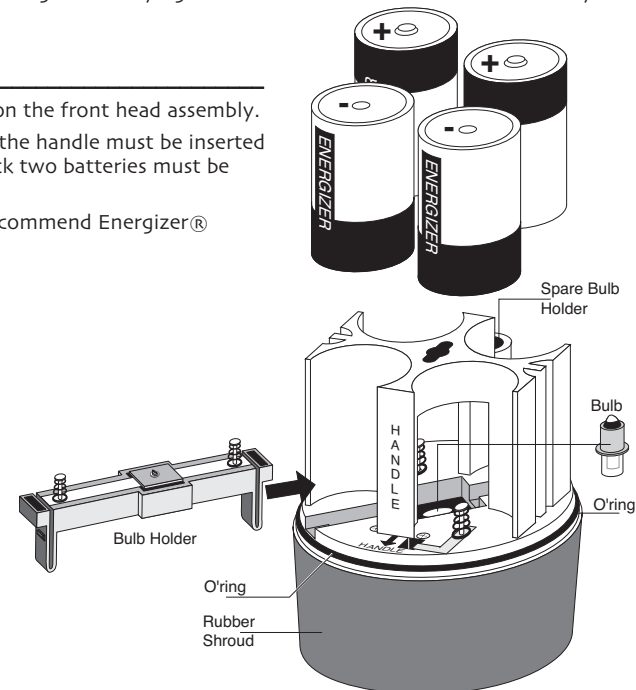
## RCD H (Alkaline 4-cell)

Accepts four D-cell batteries,  
alkaline or ni-cad.

The RCD H features the high intensity 5.0V lamp producing an incredibly bright penetrating medium spot beam intended primarily for underwater use. Alkaline batteries provide 7.5-watt initial intensity and 5-6 hours of high intensity light. Consumer ni-cads reduce the intensity and burn time.

### BATTERY INSTALLATION

- Note the polarity markings on the front head assembly.
- The two batteries closest to the handle must be inserted positive end DOWN; the back two batteries must be inserted positive end UP.
- For best performance, we recommend Energizer® alkaline batteries.



### BULB REPLACEMENT

Make sure the bulb is cool. Remove the batteries to access the bulb holder. Squeeze the ends of bulb holder and remove. Tip the front up and drop the bulb into your hand. Place the new bulb in the front and replace the bulb holder (orient it either way).

### BULB CHOICES

Ikelite offers two bulbs compatible with the RCD H. The standard bulb provided is the 5.0V higher intensity halogen bulb IKE4 #0042.55 offering a 5-6 hour burn time and 10-hour life. It is intended primarily for underwater use.

The optional 5.2V halogen bulb #0042.52 provides a 10-hour burn time and 20-hour life. It is offered for extended use above water or to almost double the burn time and lamp life.

In an emergency, use a common PR-size 4.8-5.2V bulb.

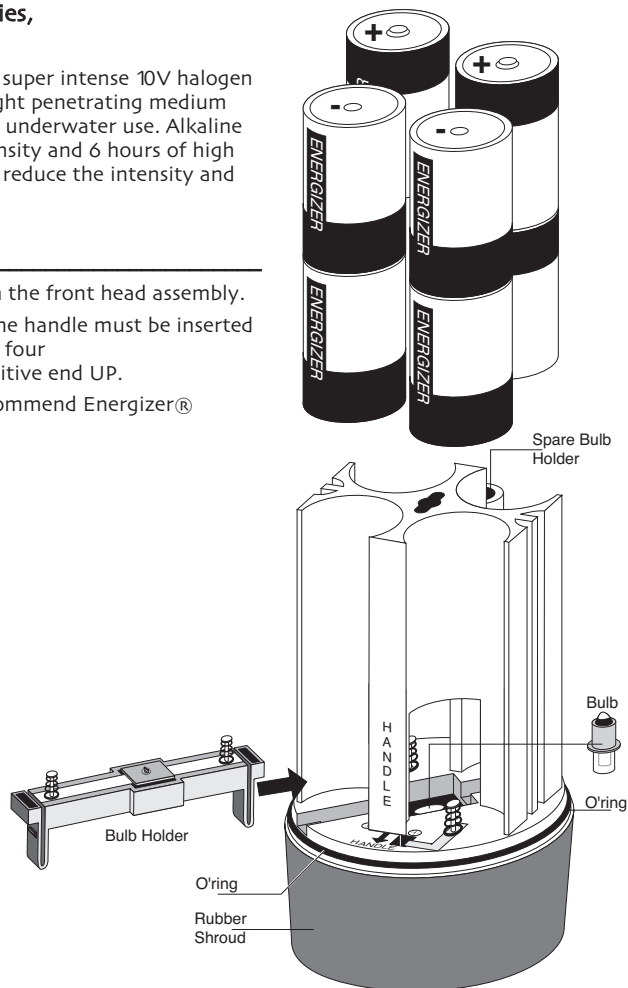
## RCD Super-8 (Alkaline 8-cell)

Accepts eight D-cell batteries, alkaline or ni-cad.

The RCD Super-8 features the super intense 10V halogen lamp producing an incredibly bright penetrating medium spot beam intended primarily for underwater use. Alkaline batteries provide 15W initial intensity and 6 hours of high intensity light. Consumer ni-cads reduce the intensity and burn time.

### BATTERY INSTALLATION

- Note the polarity markings on the front head assembly.
- The four batteries closest to the handle must be inserted positive end DOWN; the back four batteries must be inserted positive end UP.
- For best performance, we recommend Energizer® alkaline batteries.



### BULB #0042.58 REPLACEMENT

Make sure the bulb is cool. Remove the batteries to access the bulb holder. Squeeze the ends of bulb holder and remove. Tip the front up and drop the bulb into your hand. Place the new bulb IKE8 #0042.58 in the front and replace the bulb holder (orient it either way).

In an emergency, use a common PR-size bulb approximating 10V.

## RCD HR and SUPER-8R (Rechargeable)

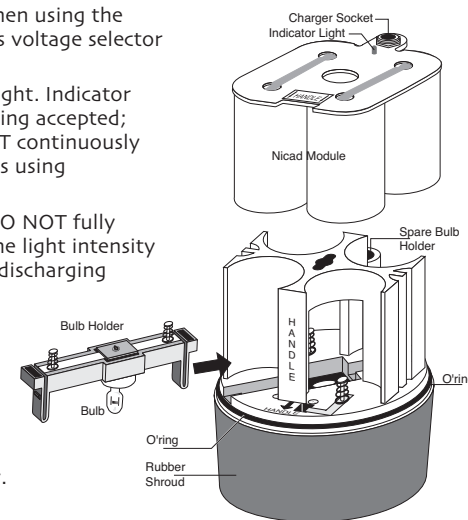
Ultra-intense rechargeables. The RCD HR features a penetrating 19W beam while the Super-8R provides 25W intensity. Both run for 1.25 hours per charge. Industrial grade 5Ah ni-cad module produces considerably more power than consumer ni-cads. Not intended for extended use above water.

	RCD HR	Super8R
#0083.9	Charger 110/220V USA plug.....	Recharge time: 6 hours
#0083.91	Charger 220V European plug.....	Recharge time: 6 hours
#4063-series	Smart Charger variable 100-240V, choice of USA, Euro, Australian plug.....	Recharge time: 4 hours
		5 hours

When using charger #0083.9, place 110/220V selector in appropriate position.

### RECHARGING THE NI-CADS

- Note the recharge time referenced above. When using the 110/220V charger #0083.9, place the charger's voltage selector switch in the proper position.
- Recharge the ni-cad module in or out of the light. Indicator light on the module shows that a charge is being accepted; it does not go out once fully charged. DO NOT continuously charge the ni-cads longer than 24 hours unless using Smart Charger.
- Recharge the ni-cad module after each use; DO NOT fully discharge. Definitely recharge the ni-cads if the light intensity dims; the batteries are nearly depleted. Fully discharging the ni-cads will shorten the battery life.
- Store the ni-cad module fully charged and recharge for a few hours each month. In our application, the ni-cads should NOT develop a memory. Fully discharging ni-cads or allowing them to completely lose a charge does far more damage than any risk of ni-cad memory.



### NI-CAD MODULE INSTALLATION

- Note the handle references on the front head assembly and ni-cad module.
- Ni-cad module MUST be positioned properly on the front. Otherwise, you will damage the ni-cad module when the body is secured.

### BULB REPLACEMENT

Use 4.7V bulb #0040.18 for the RCD HR and 6V bulb #0040.20 for the Super-8R. Make sure the old bulb is cool. Remove ni-cad module to access the bulb holder. Squeeze the ends of bulb holder and remove. Insert new bulb in the holder. DO NOT touch the bulb because of the oils on your fingers; use a soft cloth or tissue when replacing. Light intended primarily for underwater use.

## INTERCHANGEABLE HANDLES

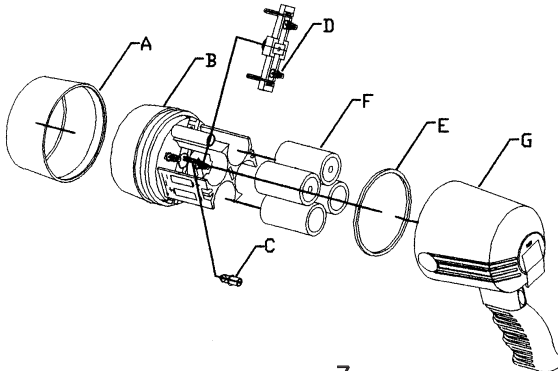
Only the Super-8 and 8R feature interchangeable handles and both the lantern grip and pistol grip handles are supplied. To change the handle, access the screw underneath the locking lever by first sliding the locking lever out and then flip the lever up.

Remove the screw and washer and then slide the handle out of the body. Slide the other handle into the groove and secure with the screw and washer.

**NOTE:** Ikelite's black vinyl lanyard is NOT recommended for use with RCD Super-8/8R. The vinyl lanyard is designed to be broken in an emergency and the weight of the Super-8/8R may cause the lanyard to break during normal use.

## REPLACEMENT PARTS

A-E	9012.2	Head assembly complete with bulb: H
A-E	9012.18	Head assembly complete with bulb: HR
A-E	9012.88	Head assembly complete with bulb: Super-8
A-E	9012.96	Head assembly complete with bulb: Super-8R
A	0501	Rubber shroud: all models
B	9012	Head with hydrogen absorber: H
B	9012.17	Head with hydrogen absorber: HR
B	9012.80	Head with hydrogen absorber: Super-8
B	9012.95	Head with hydrogen absorber: Super-8R
C	0042.55	H BULB, IKE4 5.0V halogen, standard higher intensity
C	0040.18	HR BULB, 4.7V halogen
C	0042.58	Super-8 BULB, IKE8 10.4V halogen
C	0042.20	Super-8R BULB, 6V halogen
D	9012.3	Bulb holder/contact bar: H and Super-8
D	9012.38	Bulb holder/contact bar: HR and Super-8R
E	0123	O-ring: all models
F	9013	Ni-cad battery module: HR
F	9013.8	Ni-cad battery module: Super-8R
	0083.9	Charger, USA 110/220V 6-hour
	0083.91	Charger, Euro 220V 6-hour
G	9012.5x	Body assembly with toggle: note color H and HR
G	9012.8x	Body assembly with toggle: note color Super-8 and 8R
	0910	Hydrogen absorber



## INTERCHANGING MODELS

### RCD H and HR

The HR front head assembly is modified for the rechargeable light which means it is NOT interchangeable with the 4-cell alkaline version RCD. Only the body assembly is interchangeable between the H and HR models.

### SUPER-8 and 8R

The Super-8R front head assembly is modified for the rechargeable light which means it is NOT interchangeable with the 8-cell alkaline version Super-8. Only the body assembly is interchangeable between the Super-8 and 8R models.

### MAINTENANCE

1. We suggest storage of your lite with the locking lever OPEN to allow any potential hydrogen/air mixture to escape.
2. The inner ledges of the lite body and front assembly are the sealing surfaces. DO NOT allow these surfaces to become damaged.
3. Keep the o-ring and sealing surfaces clean. DO NOT stretch the o-ring when cleaning. It is not necessary to lubricate the o-ring. Never use spray lubricant because it will cause cracking of the plastics.
4. Occasionally clean the metal contacts for a better connection.
5. The front head assembly has been factory sealed; DO NOT disassemble.

### CAUTION

DO NOT use batteries that have been wet; batteries from a flooded lite should be discarded. Water could create an internal short circuit at some later date causing a potential explosion. The normal evolution of all batteries is emitting hydrogen gas. This gas must be absorbed or allowed to escape to prevent ignition of the entrapped hydrogen/air mixture. We suggest storage of your lite open to allow any hydrogen/air mixture to escape. A hydrogen absorber has been concealed inside this lite and should NOT be removed. In case the lite floods, install a new hydrogen absorber in the spare bulb holder and replace the batteries.

### IKELITE LIMITED WARRANTY

All Ikelite products are warranted against any manufacturing defects for a period of one year from the date of purchase. Defective products should be returned prepaid to Ikelite. Ikelite will, at its discretion, repair or replace such products, and will return to customer prepaid. All other claims, of any nature, including but not limited to bulb failure are not covered. Except as mentioned above, no other warranty expressed or implied, applies to this Ikelite product.

### IKELITE UNDERWATER SYSTEMS

50 West 33rd Street  
PO Box 88100  
Indianapolis, IN 46208 USA

317-923-4523

[www.ikelite.com](http://www.ikelite.com)  
Email [ikelite@ikelite.com](mailto:ikelite@ikelite.com)

## Free Manuals Download Website

<http://myh66.com>

<http://usermanuals.us>

<http://www.somanuals.com>

<http://www.4manuals.cc>

<http://www.manual-lib.com>

<http://www.404manual.com>

<http://www.luxmanual.com>

<http://aubethermostatmanual.com>

Golf course search by state

<http://golfingnear.com>

Email search by domain

<http://emailbydomain.com>

Auto manuals search

<http://auto.somanuals.com>

TV manuals search

<http://tv.somanuals.com>