

Muskoka®

Vista

**ELECTRIC FIREPLACE
MANTEL**
with Mirror

**MANTEAU DU FOYER
ÉLECTRIQUE**
avec miroir

**REPISA DEL HOGAR
ELÉCTRICO**
con espejo

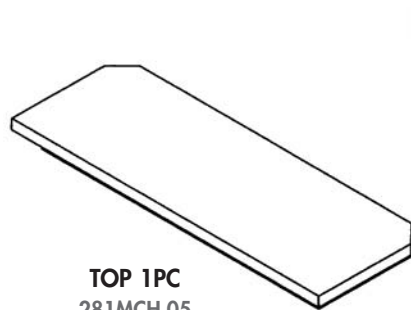


Model / Modèle / Modelo: MM281MCH

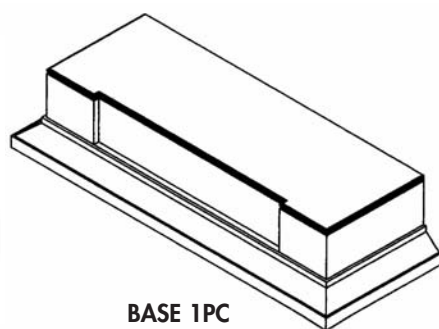
Assembly Instructions
Instructions d'assemblage
Instrucciones de ensamblado

TIPS FOR ASSEMBLY OF YOUR NEW MANTEL

- Before you begin assembly, locate the instructions and hardware. Take out all the parts and compare them to the diagrams below. Be sure you have all the parts and can identify them.
- A helping hand is always good: assemble your mantel with an adult assistant if possible. Some pieces are heavy and will need to be held by a helper. Assembly time will be approximately 30-60 minutes.
- Locate a good Phillips-head screwdriver. You may also use an electric screwdriver but be careful not to strip the head of the screw by over tightening them.



TOP 1PC
281MCH.05



BASE 1PC
281MCH.01



LEFT FRONT
PANEL 1PC
281MCH.09



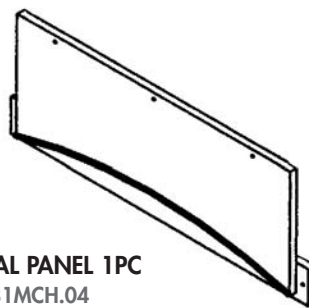
LEFT SIDE
PANEL 1PC
281MCH.08



RIGHT FRONT
PANEL 1PC
281MCH.07



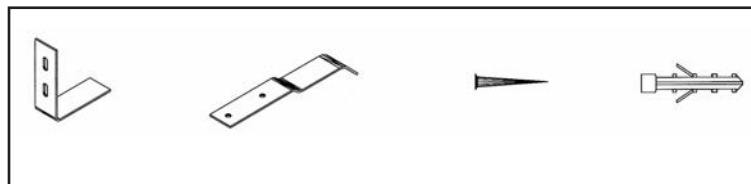
RIGHT SIDE
PANEL 1PC
281MCH.06



CENTRAL PANEL 1PC
281MCH.04



FLAT HEAD SCREW
21PCS



ANTI-TIP DEVICE 2 SETS

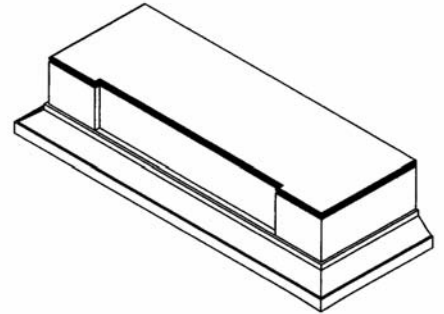
GET READY TO START

Before assembly, use scissors to unwrap the parts from the packaging. DO NOT use a box cutter or exacto-knife as you may cut into the mantel pieces inside the box and damage the finish. Check for the hardware bag which is red and located inside the packaging taped to the top box. Be sure you DO NOT discard any pieces.

For the easiest assembly, use a power Phillips-head screwdriver. DO NOT over tighten the screws.

Step 1

Locate the hearth and place it on the floor. Do not put it up against the wall at this point in the assembly as you need to get in behind the mantel to insert several screws.



Step 2

Locate the left side panel and the left front panel. Facing the front of the hearth, take the left side panel, positioning it so the holes in the blocks on the bottom line up with the screw holes in the hearth.

Locate the left front panel and position it next to the left side panel, lining up the holes in the blocks with the screw holes in the hearth.



Step 3

Repeat Step 2, but with the right side panel and the right front panel.

Step 4

Locate the header piece that will be attached to the left and right legs and will sit above the firebox. Position the header with the finished side facing the front of the mantel. Insert and tighten the 4 screws which will hold the header in place.



Step 5

Get your helper and locate the top of your mantel. This top is very heavy. It will take 2 people to lift and position it in place. Ensure the top goes over the positioning guide located on the header. The top must go over this guide to be positioned correctly. Once the top is in place insert and tighten the 9 screws which hold the top in place.



Step 6

You are now ready to position your mantel against the wall. This step requires 2 people to move the unit.

Anti-tipping device

At this point you must attach the anti-tipping device to your mantel and your wall. This device is a safety feature that will prevent your mantel from tipping over if a weight is applied which can unbalance the unit (like a child climbing onto it).



Step 7

Take your electric firebox out of its packaging and position it between the 2 legs of the mantel. Once you are close to the wall, plug the firebox into the nearest outlet. The firebox does not get attached to the mantel in any way it just sits there.

If you have any questions about the firebox please reference the installation instructions that come with the unit. Please reference the Quick Tips section of that instruction manual.

Step 8

Locate the mirror which comes with your new mantel. You can either hang the mirror on the wall above the mantel or set the mirror on the mantel top and angle it back to the wall.



WARRANTY

Greenway Home Products is pleased to offer in home warranty repairs.

DO NOT RETURN THIS PRODUCT TO THE STORE:

Please contact Customer Service at: **1-866-253-0447**

web: www.greenwayhp.com

email: support@greenwayhp.com

Canada: 400 Southgate Dr., Guelph, Ontario, Canada, N1G 4P5

USA: 6507 Fairfield Dr., Northwood, Ohio, USA, 43619

Limited Warranty Definitions:

Greenway Home Products: (Greenway)	Manufacturer.
Mantel:	Mantel manufactured by Greenway Home Products.
Purchaser:	Purchaser of the Mantel.
Distributor:	Facility authorized to sell Greenway Home Products.
Warranty Card	Greenway Home Products Limited Warranty Registration Card identifying the Purchaser and product model.

Greenway Limited Warranty:

Greenway warrants to the Purchaser that the Mantel is free from defects in material and workmanship, under normal use and service, for 1 year (1 year limited parts) from the date of purchase.

All warranty repairs must be preauthorized by Greenway Home Products. Greenway will, at its option, replace or repair free of charge any defective part, which the Purchaser shall notify their Distributor or Greenway Home Products within the warranty period. The obligation of Greenway Home Products under this warranty, is expressly limited to such replacement or repairs.

The provisions of this limited warranty shall not apply to the following:

1. Accidents.
2. Unauthorized repairs or alterations.
3. Normal maintenance.
4. Changes made to other units manufactured after this Mantel was manufactured.
5. Incidental damages caused by failure of the Mantel such as inconvenience or loss of use.
6. Improper installation.

The provisions of this limited warranty shall not apply to deterioration due to wear and exposure beyond the following limitations:

1. For 180 days from the date of purchase for exterior finished surfaces.

Due to the properties of natural wood, Greenway Home Products makes no warranty against mineraling of wood components.

Greenway Limited Warranty is void unless the following conditions are adhered to:

1. Warranty registration must be completed and returned to Greenway Home Products.
2. All warranty repairs must be preauthorized by Greenway repair facility.
3. Greenway reserves the right to inspect defective parts that have been replaced under warranty. Dealer is expected to hold defective parts for 60 days.
4. Only parts and accessories and other material, available through Greenway Home Products are to be used in the performance of warranty service.
5. Purchasers are responsible for presenting/notifying their Distributor as soon a problem exists. The warranty repairs should be completed in a reasonable amount of time from the date of authorization. Not to exceed 30 days past notification.

This limited warranty is expressly in lieu of any other expressed or implied warranty, including any implied warranty or merchantability or fitness for a particular purpose and of any obligations or liabilities on Greenway Home Products which neither assumes nor authorizes any other person to assume for it any other liability in connection with the Mantel manufactured by it.

The warranty is null and void if used in commercial or industrial applications.



Free Manuals Download Website

<http://myh66.com>

<http://usermanuals.us>

<http://www.somanuals.com>

<http://www.4manuals.cc>

<http://www.manual-lib.com>

<http://www.404manual.com>

<http://www.luxmanual.com>

<http://aubethermostatmanual.com>

Golf course search by state

<http://golfingnear.com>

Email search by domain

<http://emailbydomain.com>

Auto manuals search

<http://auto.somanuals.com>

TV manuals search

<http://tv.somanuals.com>