

Owner's Manual

30" Chimney Vent Hood

For Model:

ZV830

30" (76,2 cm)

Hotte aspirante

Manuel du propriétaire

Pour la Modèles :

ZV830

La section française commence à la page 17

Campana de ventilación de chimenea de 30" (76,2 cm)

Manual del propietario

Para Modelo:

ZV830

La sección en español empieza en la página 29



49-80513-3

01-13 GE

Introduction

Your new Monogram chimney hood makes an eloquent statement of style and design. Whether you chose it for its purity of design, assiduous attention to detail—or for both of these reasons—you’ll find that your Monogram chimney hood’s superior blend of form and function will delight you for years to come.

Your Monogram chimney hood was designed to be elegant, yet provide the venting performance you need when cooking. Its sleek design can be beautifully integrated into the kitchen.

The information on the following pages will help you operate and maintain your chimney hood properly.

Contents

Consumer Information	Controls and Features	5
Important Phone Numbers	Care and Cleaning	
Model and Serial Numbers.....	Charcoal Filter.....	7
Problem Solver	Filter Panel	6
Product Registration.....	Light Bulbs	7
Safety Instructions	Metal Grease Filter	6
Warranty.....	Stainless Steel Hood Surfaces	7
15		
2		
8, 9		
11-14		
4		
16		

Before using your chimney hood

Read this manual carefully. It is intended to help you operate and maintain your new chimney hood properly.
Keep it handy for answers to your questions.

If you don’t understand something or need more help, there is a list of toll-free consumer service numbers included in the back section of this manual.

OR

Visit our Website at: monogram.com

Write down the model & serial numbers

You’ll find them on a label on the hood.
These numbers are also on the Consumer Product Ownership Registration Card packed separately with your hood.
Visit monogram.com and click on “Register Your Appliance” to register your chimney hood.

Before sending in this card, please write these numbers here:

Model Number

Serial Number

Use these numbers in any correspondence or service calls concerning your hood.

If you received a damaged hood

Immediately contact the dealer (or builder) that sold you the hood.

Save time & money

Before you request service, check the Problem Solver in the back of this manual.

It lists causes of minor operating problems that you can correct yourself.

If you need service

To obtain service, see the Consumer Services page in the back of this manual.

NEXT, if you are still not pleased, write all the details—including your phone number—to:

We're proud of our service and want you to be pleased. If for some reason you are not happy with the service you receive, here are some steps to follow for further help.

Manager, Customer Relations
GE Appliances
Appliance Park
Louisville, KY 40225

FIRST, contact the people who serviced your appliance. Explain why you are not pleased. In most cases, this will solve the problem.

IMPORTANT SAFETY INSTRUCTIONS

READ ALL INSTRUCTIONS BEFORE USING

SAFETY PRECAUTIONS

⚠ WARNING—TO REDUCE THE RISK OF FIRE, ELECTRIC SHOCK OR INJURY TO PERSONS, OBSERVE THE FOLLOWING:

- A. Use this unit only in the manner intended by the manufacturer. If you have questions, contact the manufacturer.
- B. Before servicing or cleaning unit, switch power off at service panel and lock the service disconnecting means to prevent power from being switched on accidentally. When the service disconnecting means cannot be locked, securely fasten a prominent warning device, such as a tag, to the service panel.
- C. Do not use this unit with any solid-state speed control device.
- D. This unit must be grounded.

⚠ CAUTION—FOR GENERAL VENTILATING USE ONLY. DO NOT USE TO EXHAUST HAZARDOUS OR EXPLOSIVE MATERIALS AND VAPORS.

⚠ WARNING—TO REDUCE THE RISK OF INJURY TO PERSONS IN THE EVENT OF A RANGE TOP GREASE FIRE, OBSERVE THE FOLLOWING*:

- A. SMOTHER FLAMES with a close-fitting lid, cookie sheet or metal tray, then turn off the burner. BE CAREFUL TO PREVENT BURNS. If the flames do not go out immediately, EVACUATE AND CALL THE FIRE DEPARTMENT.
- B. NEVER PICK UP A FLAMING PAN—You may be burned.
- C. DO NOT USE WATER, including wet dishcloths or towels—a violent steam explosion will result.
- D. Use an extinguisher ONLY if:
 1. You know you have a Class ABC extinguisher, and you already know how to operate it.
 2. The fire is small and contained in the area where it started.
 3. The fire department is being called.
 4. You can fight the fire with your back to an exit.

*Based on "Kitchen Firesafety Tips" published by NFPA.

⚠ WARNING—TO REDUCE THE RISK OF A RANGE TOP GREASE FIRE:

- A. Never leave surface units unattended at high settings. Boilovers cause smoking and greasy spillovers that may ignite. Heat oils slowly on low or medium settings.
- B. Always turn hood ON when cooking at high heat or when flambéing food (i.e. Crepes Suzette, Cherries Jubilee, Peppercorn Beef Flambé).
- C. Clean ventilating fans frequently. Grease should not be allowed to accumulate on fan or filter.
- D. Use proper pan size. Always use cookware appropriate for the size of the surface element.

⚠ WARNING—TO REDUCE THE RISK OF FIRE, ELECTRIC SHOCK OR INJURY TO PERSONS, OBSERVE THE FOLLOWING:

- A. Installation work and electrical wiring must be done by qualified person(s) in accordance with all applicable codes and standards, including fire-related construction.
- B. Sufficient air is needed for proper combustion and exhausting of gases through the flue (chimney) of fuel burning equipment to prevent back drafting. Follow the heating equipment manufacturer's guidelines and safety standards such as those published by the National Fire Protection Association (NFPA), and the American Society for Heating, Refrigeration and Air Conditioning Engineers (ASHRAE), and the local code authorities. When applicable, install any makeup (replacement) air system in accordance with local building code requirements. Visit GEAppliances.com for available makeup air solutions.
- C. When cutting or drilling into wall or ceiling, do not damage electrical wiring and other hidden utilities.
- D. Ducted fans must always be vented to the outdoors.

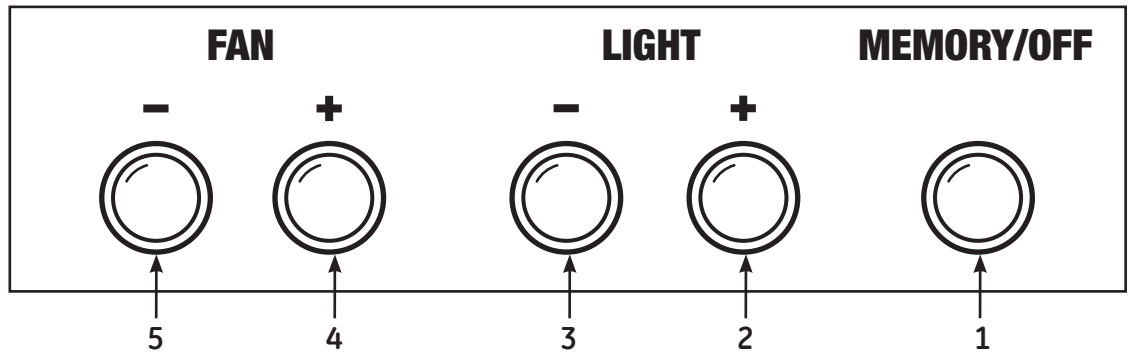
⚠ WARNING—TO REDUCE THE RISK OF FIRE, USE ONLY METAL DUCTWORK.

- Do not attempt to repair or replace any part of your hood unless it is specifically recommended in this manual. All other servicing should be referred to a qualified technician.

⚠ CAUTION—AUTOMATICALLY OPERATED DEVICE. TO REDUCE THE RISK OF INJURY, DISCONNECT FROM POWER SUPPLY BEFORE SERVICING. THE UNIT IS EQUIPPED WITH AN INTEGRAL DISCONNECTING SWITCH LOCATED INSIDE THE BLOWER HOUSING.

**READ AND SAVE
THESE INSTRUCTIONS.**

Controls



- 1 **MEMORY/OFF Button.** Press to recall memorized fan and light settings.
To memorize desired fan and light settings:
 1. Press the MEMORY/OFF button.
 2. Select desired settings.
 3. Press MEMORY/OFF to save.

The hood will now turn off and the settings will be memorized.

NOTES:

 - When any button is active (turned on), all outer rings will be illuminated.
 - The hood can be turned OFF at any time by pressing the MEMORY/OFF button.
 - Always deactivate (turn off) the buttons when the hood is not in use.
- 2 **LIGHT INCREASE ON/OFF Button.** Press to turn on or increase light level. The buttons allow you to cycle to the desired setting. (There are four light levels/settings and OFF.)
- 3 **LIGHT DECREASE ON/OFF Button.** Press to turn on or decrease light level. The buttons allow you to cycle to the desired setting. (There are four light levels/settings and OFF.)
- 4 **FAN INCREASE ON/OFF Button.** Press to turn on or increase fan settings. The buttons allow you to cycle to the desired setting. (Use to set the fan speed to LOW, MED, HIGH, BOOST or OFF.)
- 5 **FAN DECREASE ON/OFF Button.** Press to turn on or decrease fan settings. The buttons allow you to cycle to the desired setting. (Use to set the fan speed to LOW, MED, HIGH, BOOST or OFF.)

BOOST—Provides five minutes at the maximum fan setting and then automatically resets fan to HIGH.

NOTE: BOOST can stay on longer than five minutes when activated by the auto sensor.

AUTOMATIC FAN FEATURE—*The hood fan will turn on automatically or automatically increase in speed if cooking temperatures become too hot. The fan will turn off automatically or decrease in speed when temperatures cool to an appropriate level.*

NOTE: When the automatic feature is on, you can set the fan to a higher setting but not to a lower setting or off.

For your safety

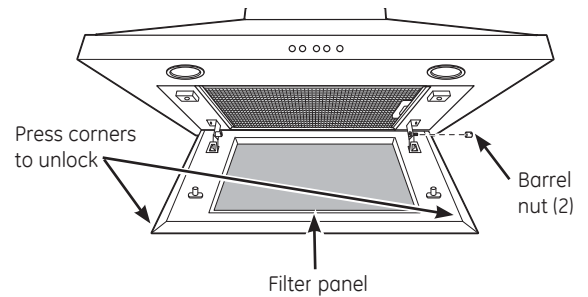
Before servicing or cleaning the unit, switch power off at the service panel and lock the service panel to prevent power from being switched on accidentally. If the service panel cannot be locked, fasten a tag or prominent warning label to the panel.

Filter panel

Grease will accumulate on the filter panel. The panel is dishwasher-safe and should be cleaned every 6 months or as needed.

1. Press in to release and lower the filter cover panel.
2. Remove the hinge barrel nuts and screws on both sides. Shift filter panel to the left and remove.
3. Stand the filter cover panel in the dishwasher with the drain holes facing the bottom.

NOTE: The filter must ALWAYS be in place and the filter panel must ALWAYS be closed when the hood is in use.



Metal grease filter

The metal filter traps grease released by foods from the cooktop. The filter also helps prevent flames (from food, grease) from damaging the inside of the hood.

For this reason, the filter must ALWAYS be in place and the filter panel must ALWAYS be closed when the hood is in use. The grease filter is dishwasher-safe and should be cleaned every 6 months, or as needed.

To remove:

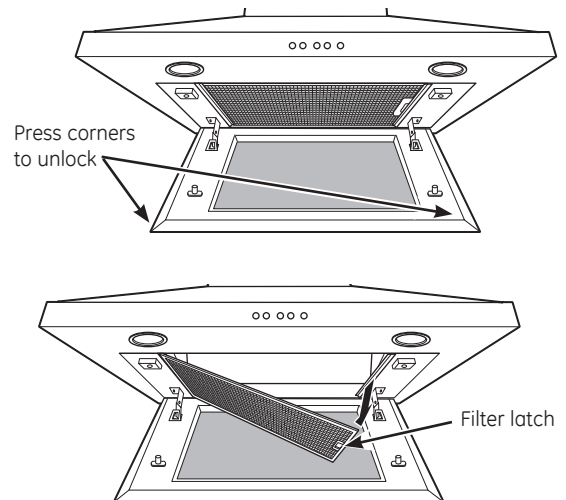
1. Press up on the front two corners of the filter cover panel to unlock. Lower the panel to access the filter.
2. Press the filter latch in to release it. Pull the filter down and out.

To replace:

1. Place the two tabs on the filter edge into the lower locating slots in the left or right side of the hood opening.
2. Push the filter up and snap it into place in the hood.
3. Rotate the filter cover panel up into position and press up on its front two corners to lock it into place.

To clean, swish the filter in hot soapy water and rinse in clean water or wash it in the dishwasher. Do not use abrasive cleansers.

NOTE: Some discoloration will occur in the dishwasher.



Charcoal filter (on some models)

If the model is not vented to the outside, the air will be recirculated through a disposable charcoal filter that helps remove smoke and odors. The charcoal filter should be replaced when it is noticeably dirty or discolored (usually after 6 to 12 months, depending on hood usage).

NOTE: DO NOT rinse, or put charcoal filter in an automatic dishwasher.

The charcoal filter cannot be cleaned. It must be replaced.

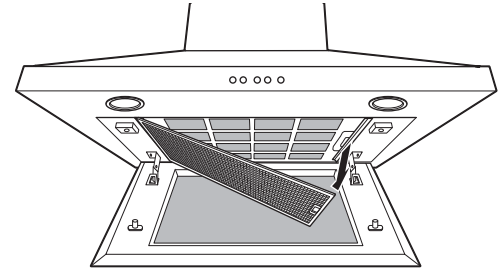
Order Charcoal Filter WB02X11348.

To inquire about purchasing replacement charcoal filters or to find the location of a dealer nearest you, please call our toll-free number:

National Parts Center 800.626.2002

To remove:

1. Remove the metal filter—see Metal grease filter section.
2. Remove the charcoal filter in the same manner as the metal grease filter by pressing the filter latch in to release it. Pull the filter down and out.



To replace:

1. Insert the black charcoal filter into the opening. Push the latch on both sides toward the center and engage the flange.
2. Replace the metal filter—see Metal grease filter section.

Stainless steel hood surfaces

Regularly polish the stainless steel exterior with Stainless Steel Magic™ and the Monogram polishing cloth, to preserve and protect the fine finish.

To avoid scratching the fine finish of the stainless steel, wipe in the same direction as the grain when polishing or cleaning any stainless steel surface.

For regular cleaning, use clean water and a soft cloth. If stains persist, wash with mild dish soap using a soft cloth or nonabrasive pad. For more difficult stains, make a solution consisting of 25% vinegar (white or red) and 75% water. Dip a soft cloth into the solution and rub onto the stainless steel to remove the stain. If these methods do not remove the stains, dirt or debris, call 800.GE.CARES.

NOTE: Reapply Stainless Steel Magic with the Monogram polishing cloth after cleaning or if your unit comes in contact with water, to protect the fine finish.

Stainless Steel Magic and the Monogram polishing cloth are available through GE Parts and Accessories, 800.626.2002 or monogram.com.

For Stainless Steel Magic, order part number WX10X15.

Do not use appliance wax or polish on any stainless steel surface.

Do not use scouring pads, powdered cleaners, bleach or cleaners containing bleach because these products can scratch and damage the finish.

Warranty does not cover damage due to improper cleaning methods.

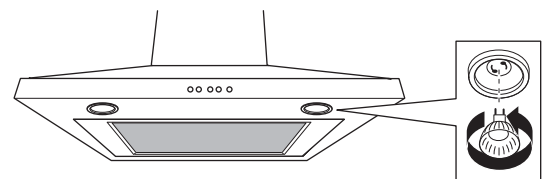
Light bulbs

CAUTION: Allow bulbs to cool before touching.

To change the light bulbs:

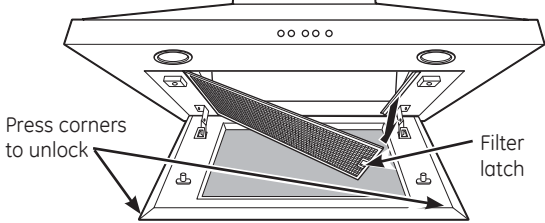
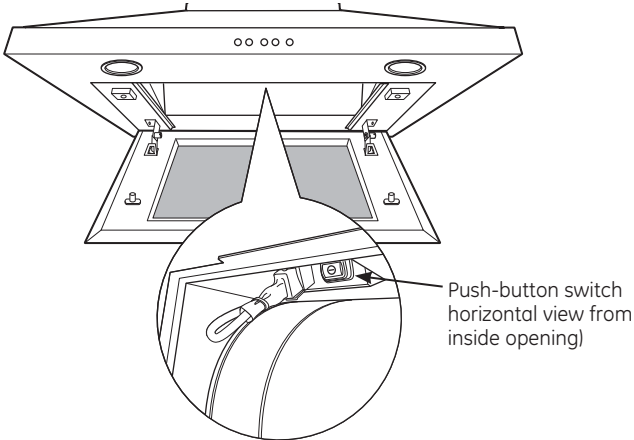
1. Press and turn the light bulb face 1/4 turn.
2. The bulb will drop straight out.
3. Replace with the same size bulb by placing bulb prongs into the keyhole slots and turning 1/4 turn to lock in place.

These 120 volt, 50 watt, MR16 halogen bulbs with GU10 bases are available at most specialty lighting stores, building centers and large retailers. Ask for MR16 GU10 base bulb.



NOTE: Do not replace with bulbs greater than 120 volts, 50 watts, or the lights will automatically shut off and the rings around the operating buttons will flash to indicate the bulbs have exceeded the acceptable limits.

Questions?
Use this
problem
solver!

PROBLEM	POSSIBLE CAUSE
<p>FAN AUTOMATICALLY TURNS ON OR INCREASES IN SPEED AND CAN NOT BE TURNED OFF OR LOWERED IN SPEED</p>	<ul style="list-style-type: none"> The hood fan will turn on automatically or automatically increase in speed if cooking temperatures become too hot. The fan will turn off automatically or decrease in speed when temperatures cool to an appropriate level. Fan will also turn on automatically when the hood electronics are too hot. <p>NOTE: When the automatic fan feature is on, you can set the fan to a higher setting but not to a lower setting or off.</p>
<p>FAN DOES NOT OPERATE WHEN TURNED ON</p>	<ul style="list-style-type: none"> A fuse may be blown or a circuit breaker tripped. Replace fuse or reset circuit breaker. The power disconnect switch inside the hood may be switched off. Remove the metal grease filter and the charcoal filter (if present) and flip the switch on. <p>LOCATE ON/OFF SWITCH.</p> <ol style="list-style-type: none"> Press in to release and lower the filter cover panel at the front. Push the filter latch toward the opening and pull downward to remove. Remove the charcoal filter, if present.  <ol style="list-style-type: none"> Reach into the motor compartment and locate the ON/OFF switch at the front of the opening. Press switch to ON position.  <p>NOTE: If the hood blower needs to be removed for service, use the disconnect switch for your safety. Press the switch to the OFF position.</p>

Questions?
Use this
problem
solver!

PROBLEM	POSSIBLE CAUSE
FAN FAILS TO CIRCULATE AIR OR MOVES AIR SLOWER THAN NORMAL	<ul style="list-style-type: none"> Check to be sure the metal grease filter and the charcoal filter (if present) are clean. Clean the metal grease filter (see the <i>Metal grease filter</i> section) and, if the hood is recirculated (not vented to the outside), replace the charcoal filter (see the <i>Charcoal filter</i> section). If cleaning and replacing the filters does not correct the problem, call for service. Sufficient makeup (replacement) air is required for exhausting appliances to operate to rating. Check with local building codes, which may require or strongly advise the use of makeup air. Visit GEAppliances.com for available makeup air solutions.
FAN KEEPS GOING OFF AND ON	<ul style="list-style-type: none"> The motor is probably overheating and turning itself off. This can be harmful to the motor. Check to be sure the filter is clean and check ductwork for blockage. If off and on cycling continues, call for service.
LIGHTS WILL NOT WORK AND RINGS AROUND THE OPERATING BUTTONS ARE FLASHING	<ul style="list-style-type: none"> Light(s) were replaced with bulbs with greater than the 120 volt, 50 watt limit. Replace with the correct type and size bulb. See the <i>Light bulbs</i> section.
LIGHT WILL NOT STAY ON HIGH SETTING	<ul style="list-style-type: none"> Use 120 volt, 50 watt, MR16 halogen bulbs with a GU10 base and make sure they are inserted securely. It is important to replace with bulbs that do not exceed the recommended wattage. Higher wattage bulbs will cause the outer rings to blink, and the lights will not function at the highest levels. See the <i>Light bulbs</i> section.
THE HOOD CONTROLS ARE NOT OPERATING CORRECTLY	<ul style="list-style-type: none"> Disconnect power to the hood by turning the circuit breaker off or by removing the fuse in the home fuse box. Wait 30 seconds to allow the hood controls to reset and then replace the fuse or move the circuit breaker back on.
SEQUENTIAL PRESSES OF THE LIGHT OR FAN BUTTONS WILL CHANGE THE SETTING FROM THE LOWEST SETTING TO OFF TO THE HIGHEST SETTING, OR FROM THE HIGHEST SETTING TO OFF TO THE LOWEST SETTING	<ul style="list-style-type: none"> So that you can easily set the controls to the desired setting, the hood is designed for the light and fan buttons to cycle through the settings. This is normal.
WHEN PRESSING THE MEMORY/OFF BUTTON TO TURN ON THE LIGHT, THE FAN COMES ON INSTEAD	<ul style="list-style-type: none"> For your convenience, it is normal for the lights and fan to remember their last setting when you press the Memory/Off button. If you want only the lights on, press the "FAN +" (or the "FAN -") button to turn the fan off. When you power the hood up next time, only the lights will function. NOTE: You may turn the fan and lights off or on separately, using the "+" or "-" buttons.

Please place in envelope and mail to:
Veuillez mettre dans une enveloppe et envoyez à :

**OWNERSHIP REGISTRATION
P.O. BOX 1780
MISSISSAUGA, ONTARIO
L4Y 4G1**

(FOR CANADIAN CONSUMERS ONLY)



For Canadian
Customers



Pour les
Consommateurs
Canadiens

CUT ALONG THIS LINE AND RETURN CARD—THANKS

OWNERSHIP REGISTRATION CERTIFICATE – FICHE D'INSCRIPTION DU PROPRIÉTAIRE

Please register your product to enable us to contact you in the remote event a safety notice is issued for this product and to allow for efficient communication under the terms of your warranty, should the need arise.

Veuillez enregistrer votre produit afin de nous permettre de communiquer avec vous si jamais un avis de sécurité concernant ce produit était émis et de communiquer facilement avec vous en vertu de votre garantie, si le besoin s'en fait sentir.

REGISTER ON-LINE: www.geappliances.ca		MAIL TO: P.O. BOX 1780, MISSISSAUGA ONTARIO, L4Y 4G1	
ENREGISTREMENT SUR INTERNET À: www.electromenagersge.ca		POSTER À:	
<input type="checkbox"/> MR./M	<input type="checkbox"/> MRS./MME.	FIRST NAME / PRÉNOM	LAST NAME / NOM
<input type="checkbox"/> MISS/Mlle.	<input type="checkbox"/> MS.		
STREET NO / N° RUE	STREET NAME / RUE		APT. NO / APP. / RR#
CITY / VILLE		PROVINCE	POSTAL CODE / POSTAL
AREA CODE / IND. RÉG.	TELEPHONE	E-MAIL	
DID YOU PURCHASE A SERVICE CONTRACT FOR THIS APPLIANCE? AVEZ-VOUS ACHETÉ UN CONTRAT DE SERVICE POUR CET APPAREIL ?		YES / OUI <input type="checkbox"/> NO / NON <input type="checkbox"/>	IF YES / SI OUI: EXPIRATION Y/A M D/J
NAME OF SELLING DEALER / NOM DU MARCHAND		MODEL / MODÈLE	
INSTALLATION DATE / DATE D'INSTALLATION Y/A M D/J		CORRESPONDENCE <input type="checkbox"/> ENGLISH CORRESPONDANCE <input type="checkbox"/> FRANÇAIS	SERIAL / SÉRIE
<input type="checkbox"/> I do not wish to receive any promotional offers regarding this product. <input type="checkbox"/> Je ne désire pas recevoir d'offres promotionnelles concernant ce produit.			

With the purchase of your new Monogram appliance, receive the assurance that if you ever need information or assistance from GE, we'll be there. All you have to do is call—toll-free!

GE Answer Center®

800.626.2000

Whatever your question about any Monogram major appliance, GE Answer Center® information service is available to help. Your call—and your question—will be answered promptly and courteously. And you can call any time. GE Answer Center® service is open 24 hours a day, Monday through Saturday.

OR

Visit our Website at: monogram.com

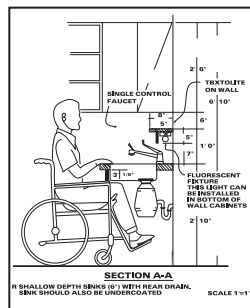
Monogram Preferred Service

800.444.1845

A GE consumer service professional will provide expert repair service, scheduled at a time that's convenient for you. Many GE Consumer Service company-operated locations offer you service today or tomorrow, or at your convenience (7:00 a.m. to 10:00 p.m. weekdays, 8:00 a.m. to 6:00 p.m. Saturday and Sunday). Our factory-trained technicians know your appliance inside and out—so most repairs can be handled in just one visit.

For Customers With Special Needs...

800.626.2000



GE offers, free of charge, a brochure to assist in planning a barrier-free kitchen for persons with limited mobility.

Consumers with impaired hearing or speech who have access to a TDD or a conventional teletypewriter may call 800.TDD.GEAC (800.833.4322) to request information or service.

Service Contracts

800.626.2224

You can have the secure feeling that GE Consumer Service will still be there after your warranty expires. Purchase a GE contract while your warranty is still in effect and you'll receive a substantial discount. With a multiple-year contract, you're assured of future service at today's prices.

Parts and Accessories

800.626.2002

Individuals qualified to service their own appliances can have parts or accessories sent directly to their home. The GE parts system provides access to over 47,000 parts...and all GE Genuine Renewal Parts are fully warranted. VISA, MasterCard and Discover cards are accepted.

User maintenance instructions contained in this manual cover procedures intended to be performed by any user. Other servicing generally should be referred to qualified service personnel. Caution must be exercised, since improper servicing may cause unsafe operation.

YOUR MONOGRAM HOOD WARRANTY

Staple sales slip or cancelled check here. Proof of original purchase date is needed to obtain service under warranty.

WHAT IS COVERED

LIMITED ONE-YEAR WARRANTY

For one year from date of original purchase, we will provide, free of charge, parts and service labor in your home to repair or replace **any part of the hood** that fails because of a manufacturing defect.

.....
This warranty is extended to the original purchaser and any succeeding owner for products purchased for ordinary home use in the 48 mainland states, Hawaii and Washington, D.C. If the product is located in an area where service by a GE Authorized Servicer is not available, you may be responsible for a trip charge or you may be required to bring the product to an Authorized GE Service Location for service. In Alaska the warranty is the same except that it is LIMITED because you must pay to ship the product to the service shop or for the service technician's travel costs to your home.

All warranty service will be provided by our Factory Service Centers or by our authorized Customer Care® servicers during normal working hours.

Should your appliance need service, during warranty period or beyond, call 800.444.1845. Please have your serial number and model number available when calling for service.

WHAT IS NOT COVERED

- Service trips to your home to teach you how to use the product.
- Replacement of house fuses or resetting of circuit breakers.
- Incidental or consequential damage caused by possible defects with this appliance.
- Replacement of the replaceable filters.
- Damage to the product caused by accident, fire, floods or acts of God.
- Damage caused after delivery.
- Failure of the product if it is used for other than its intended purpose or used commercially.
- Improper installation.
If you have an installation problem, contact your dealer or installer. You are responsible for providing adequate electrical, gas, exhausting and other connecting facilities as described in the Installation Instructions provided with the product.
- Product not accessible to provide required service.
- Installation or service for a makeup (replacement) air system.

EXCLUSION OF IMPLIED WARRANTIES—Your sole and exclusive remedy is product repair as provided in this Limited Warranty. Any implied warranties, including the implied warranties of merchantability or fitness for a particular purpose, are limited to one year or the shortest period allowed by law.

Some states do not allow the exclusion or limitation of incidental or consequential damages, so the above limitation or exclusion may not apply to you. This warranty gives you specific legal rights, and you may also have other rights which vary from state to state.

To know what your legal rights are in your state, consult your local or state consumer affairs office or your state's Attorney General.

Warrantor: General Electric Company. Louisville, KY 40225

Introduction

Votre nouvelle hotte aspirante Monogram constitue une démonstration éloquentes du style et dessin. Que vous la choisissiez pour la pureté de son design, pour l'attention soignée de ses détails—ou pour ces deux raisons à la fois—vous vous apercevrez que la fusion supérieure de forme et de fonction de votre hotte aspirante Monogram vous ravira pour les années à venir.

Votre hotte Monogram a été conçue dans un souci d'élégance, tout en garantissant les performances d'aspiration dont vous avez besoin pour cuisiner. Son design aux lignes pures s'intégrera parfaitement dans votre cuisine.

Les informations des pages suivantes vous aideront à utiliser et à entretenir correctement votre hotte aspirante.

Table des matières

Service au consommateur	Commandes et paramètres	20
Enregistrement du produit	25, 26	
Garantie	28	
Instructions de sécurité	19	
Modèle et numéro de série	17	
Numéros de téléphone importants	27	
Résolution de problèmes	23, 24	
	Nettoyage et entretien	
	Ampoules	22
	Filtre à charbon	22
	Filtre métallique à graisse	21
	Panneau filtrant	21
	Surfaces de la hotte en acier inoxydable	22

Avant d'utiliser votre hotte aspirante

Lisez attentivement ce manuel. Il a été conçu pour vous aider à utiliser et à entretenir correctement votre nouvelle hotte aspirante.

Conservez-le à portée de main pour répondre à vos questions.

Si vous ne comprenez pas quelque chose ou que vous avez besoin d'aide, vous trouverez la liste des numéros d'appel gratuit du service après-vente au verso de la couverture de ce manuel.

OU

Visitez notre site web sur : monogram.com

Notez les numéros de modèle et de série

Vous les trouverez sur l'étiquette de la hotte.

Ces numéros figurent également sur la carte d'enregistrement de propriété du produit emballé séparément avec votre hotte.

Allez sur monogram.com et cliquez sur "Enregistrez votre appareil" pour enregistrer votre hotte aspirante.

Avant d'envoyer la carte, veuillez noter les numéros ici :

Numéro de modèle

Numéro de série

Utilisez ces numéros dans toute correspondance ou pour tout appel au service après-vente, concernant votre hotte.

Si vous recevez une hotte endommagée Contactez immédiatement le revendeur (ou le constructeur) qui vous a vendu la hotte.

*Économisez
du temps et
de l'argent*

Avant de demander l'assistance, reportez-vous au résolveur de problème figurant au dos de ce manuel.

Il répertorie les causes des dysfonctionnements mineurs que vous pouvez corriger par vos propres moyens.

*Si vous avez
besoin d'une
intervention*

Pour utiliser le service, consultez la page du service au verso de la couverture de ce manuel.

Nous sommes fiers de notre service et nous voulons que vous en soyez satisfait. Si, pour une quelconque raison, vous êtes mécontent du service fourni, voici la procédure à suivre pour obtenir une aide supplémentaire.

PREMIÈREMENT, contactez la personne qui a réparé votre appareil. Expliquez-lui les raisons de votre mécontentement. Dans la plupart des cas, cela résoudra le problème.

ENSUITE, si vous êtes toujours mécontent, écrivez tous les détails—y compris votre numéro de téléphone—à :

Manager, Customer Relations
GE Appliances
Appliance Park
Louisville, KY 40225

INSTRUCTIONS DE SÉCURITÉ IMPORTANTES

LISEZ TOUTES LES INSTRUCTIONS

AVANT D'UTILISER VOTRE APPAREIL

PRÉCAUTIONS EN MATIÈRE DE SÉCURITÉ

⚠ AVERTISSEMENT : POUR RÉDUIRE LE RISQUE D'INCENDIE, DE SECOURS ÉLECTRIQUE OU DE BLESSURE CORPORELLE, OBSERVEZ LES PRÉCAUTIONS SUIVANTES :

- A. N'utilisez cet appareil que de la manière prévue par le fabricant. Si vous avez des questions, appelez le fabricant.
- B. Avant de réparer ou de nettoyer votre appareil, débranchez le courant au niveau du panneau de service et verrouillez les mécanismes de débranchement de service pour éviter tout branchement accidentel au courant. Si vous ne pouvez pas verrouiller les mécanismes de débranchement de service, attachez soigneusement un avertissement bien visible, comme une étiquette, au panneau de service.
- C. N'utilisez jamais cet appareil avec un mécanisme de réglage de la vitesse à semi-conducteurs.
- D. Cet appareil doit être bien mis à la terre.

⚠ ATTENTION : UNIQUEMENT À USAGE DE VENTILATION GÉNÉRALE. N'UTILISEZ JAMAIS POUR L'ÉCHAPPEMENT DE MATIÈRES ET DE VAPEURS EXPLOSIVES.

⚠ AVERTISSEMENT : POUR RÉDUIRE LE RISQUE DE BLESSURE CORPORELLE SI DE LA GRAISSE PREND FEU SUR LA SURFACE DE CUISSON DU FOUR, SUIVEZ LES INSTRUCTIONS SUIVANTES* :

- A. ÉTOUFFEZ LES FLAMMES avec un couvercle qui convient, une tôle à biscuits ou un plateau en métal, puis éteignez le brûleur. FAITES BIEN ATTENTION DE NE PAS VOUS BRÛLER. Si les flammes ne s'éteignent pas immédiatement, SORTEZ ET APPELEZ LES POMPIERS.
- B. NE DÉPLACEZ JAMAIS UNE CASSEROLE QUI FLAMBE—Vous pouvez vous brûler.
- C. N'UTILISEZ JAMAIS D'EAU, en particulier de serviette ou de chiffon mouillé—il se produira une explosion violente de vapeur brûlante.
- D. N'UTILISEZ UN EXTINCTEUR que si :
 1. Vous avez un extincteur de classe ABC et vous savez comment l'utiliser;
 2. Le feu est réduit et confiné à l'endroit où il a commencé;
 3. Vous avez déjà appelé les pompiers;
 4. Vous combattez les flammes en tournant le dos à une sortie.

* Basé sur l'ouvrage intitulé «Kitchen Fire Safety Tips» publié par la NFPA.

⚠ AVERTISSEMENT : RÉDUISEZ LE RISQUE D'UN FEU DE GRAISSE SUR LA SURFACE DE CUISSON DU FOUR :

- A. Ne laissez jamais sans surveillance les unités de cuisson de surface à une température élevée. Le bouillonnement occasionne des débordements fumants et grasseux qui peuvent prendre feu. Chauffez à feu doux les substances huileuses, avec un réglage bas ou moyen.
- B. Ne préparez pas des mets flambés sur la cuisinière. Si vous préparez des mets flambés sous la hotte, mettez le ventilateur en marche.
- C. Nettoyez les mécanismes de ventilation fréquemment. Il ne faut pas permettre une accumulation de graisse sur le ventilateur ou sur le filtre.
- D. Utilisez une casserole de bonne taille. Utilisez toujours un ustensile de cuisine qui convienne au diamètre de l'élément de cuisson.

⚠ AVERTISSEMENT : POUR RÉDUIRE LE RISQUE D'INCENDIE, DE SECOURS ÉLECTRIQUE OU DE BLESSURE CORPORELLE, OBSERVEZ LES PRÉCAUTIONS SUIVANTES :

- A. Vous devez faire exécuter tous les travaux d'installation et de câblage électrique par une personne qualifiée, conformément à tous les codes et les normes en vigueur, en particulier ceux de construction relatifs aux incendies.
- B. Vous devez assez d'air pour avoir une bonne combustion et permettre l'évacuation des gaz par le conduit de cheminée du matériel de combustion du carburant, afin d'éviter tout retour d'air. Suivez les directives du fabricant de matériel de combustion et les normes de sécurité comme celles publiées par la National Fire Protection Association (NFPA) et l'American Society for Heating, Refrigeration and Air Conditioning Engineers (ASHRAE), ainsi que les modalités des codes locaux. Le cas échéant, installez un système de compensation d'air (remplacement) conformément aux conditions des codes locaux du bâtiment. Visitez le site GEAppliances.com pour connaître les solutions offertes en matière de système de compensation d'air.
- C. Si vous faites un trou ou une ouverture dans un mur ou un plafond, n'endommagez pas les fils électriques et les autres installations cachées de service public.
- D. Vous devez toujours alimenter les ventilateurs dans les conduits en air en provenance de l'extérieur.

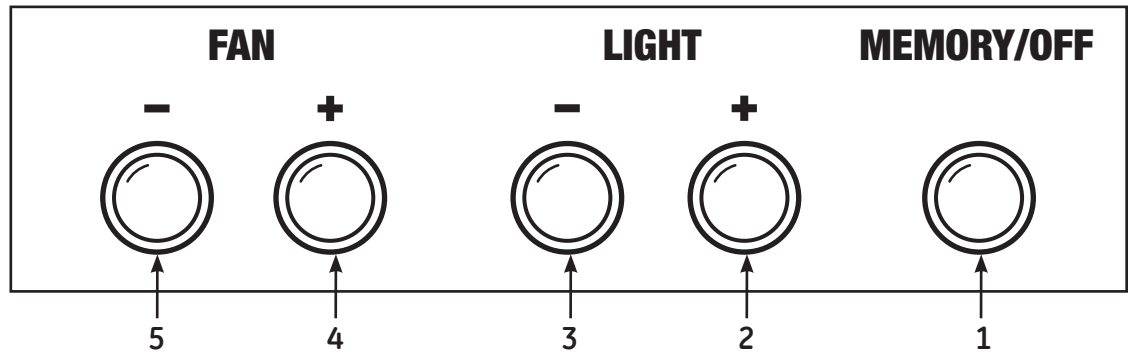
⚠ AVERTISSEMENT : POUR RÉDUIRE LE RISQUE D'INCENDIE, N'UTILISEZ QUE DES CONDUITS EN MÉTAL.

- N'essayez jamais de remplacer ou de réparer un élément de votre hotte si le présent manuel ne le recommande pas expressément. Tout autre entretien doit être effectué par un technicien qualifié.

⚠ ATTENTION : APPAREIL COMMANDÉ AUTOMATIQUÉMENT. AFIN DE RÉDUIRE LES RISQUES DE BLESSURE, DÉBRANCHEZ L'APPAREIL DE L'ALIMENTATION ÉLECTRIQUE AVANT DE PROCÉDER À UNE RÉPARATION. L'APPAREIL EST ÉQUIPÉ D'UN SECTIONNEUR INTÉGRAL SITUÉ À L'INTÉRIEUR DU LOGEMENT DU VENTILATEUR.

LISEZ ET CONSERVEZ
CES INSTRUCTIONS.

Commandes



- 1 Bouton MEMORY/OFF.** Appuyez pour afficher les paramètres mémorisés de ventilateur et de luminosité.

Pour mémoriser les paramètres de ventilateur et de luminosité :

1. Appuyez sur le bouton MEMORY/OFF.
2. Sélectionnez les paramètres souhaités.
3. Appuyez sur MEMORY/OFF pour enregistrer.

La hotte va désormais s'éteindre et les paramètres seront conservés.

NOTES :

- Lorsqu'un bouton est actif (enclenché), tous les anneaux externes seront allumés.
- La hotte peut être mise sous tension (OFF) à tout instant en appuyant sur le bouton MEMORY/OFF.
- Veillez à toujours désactiver (éteindre) les boutons si vous ne comptez pas utiliser la hotte.

- 2 Bouton LIGHT INCREASE ON/OFF.** Appuyez dessus pour enclencher ou augmenter le niveau de luminosité. Les boutons vous permettent de naviguer jusqu'au paramètre souhaité. (Quatre niveaux/paramètres de luminosité sont disponibles ainsi que OFF.)
- 3 Bouton LIGHT DECREASE ON/OFF.** Appuyez dessus pour enclencher ou baisser le niveau de luminosité. Les boutons vous permettent de naviguer jusqu'au paramètre souhaité. (Quatre niveaux/paramètres de luminosité sont disponibles ainsi que OFF.)
- 4 Bouton FAN INCREASE ON/OFF.** Appuyez dessus pour enclencher ou augmenter les paramètres du ventilateur. Les boutons vous permettent de naviguer jusqu'au paramètre souhaité. (Utilisez-les pour régler la vitesse du ventilateur sur LOW, MED, HIGH, BOOST ou OFF.)

- 5 Bouton FAN DECREASE ON/OFF.** Appuyez dessus pour enclencher ou baisser les paramètres du ventilateur. Les boutons vous permettent de naviguer jusqu'au paramètre souhaité. (Utilisez-les pour régler la vitesse du ventilateur sur LOW, MED, HIGH, BOOST ou OFF.)

BOOST—Fournit cinq minutes au niveau maximum du ventilateur et redémarre automatiquement le ventilateur sur HIGH.

NOTE : BOOST peut rester plus de cinq minutes dès lors qu'il est activé par le capteur automatique.

FONCTION VENTILATEUR AUTOMATIQUE—
Le ventilateur de la hotte s'enclenchera automatiquement ou augmentera sa vitesse automatiquement si les températures de cuisson sont trop élevées. Le ventilateur s'éteindra automatiquement ou baissera sa vitesse lorsque les températures baissent pour atteindre un niveau acceptable.

NOTE : Lorsque la fonction automatique est activée, vous pouvez régler le ventilateur sur un niveau plus élevé mais non pas sur un niveau inférieur ou sur OFF.

Pour votre sécurité

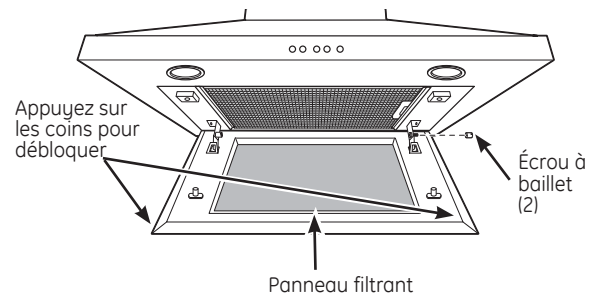
Avant de réparer ou de nettoyer l'appareil, mettez-le hors service à l'aide du tableau de commande et verrouillez-le afin d'éviter que l'alimentation ne s'enclenche par inadvertance. Si le tableau ne peut être verrouillé, fixez une étiquette ou étiquette d'avertissement bien apparente sur le tableau.

Panneau filtrant

La graisse s'accumulera sur le panneau filtrant. Le panneau est lavable au lave-vaisselle et doit être nettoyé tous les 6 ou selon les besoins.

1. Appuyez pour relâcher ou abaisser le panneau filtrant.
2. Retirez les écrous à barillets articulés et les vis situés aux deux extrémités. Placez le panneau filtrant sur la gauche et retirez-le.
3. Installez le panneau filtrant dans le lave-vaisselle avec les orifices de purge situés vers le bas.

NOTE : Le filtre doit TOUJOURS être bien en place et le panneau filtrant doit TOUJOURS être fermé lorsque la hotte est utilisée.



Filtre métallique à graisse

Le filtre métallique attrape la graisse laissée par les aliments de la table de cuisson. Le filtre permet également d'éviter que les flammes (provenant des aliments, de la graisse) abîment l'intérieur de la hotte.

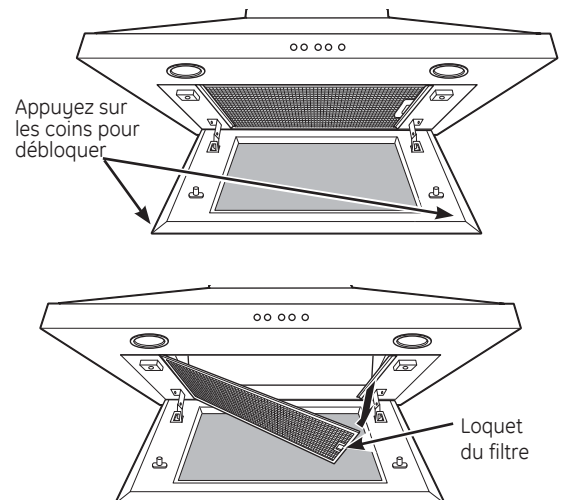
Pour cette raison, le filtre doit TOUJOURS être bien en place et le panneau filtrant doit TOUJOURS être fermé lorsque la hotte est utilisée. Le filtre à graisse peut être lavé au lave-vaisselle et il doit être nettoyé tous les 6 mois ou selon les besoins.

Pour le retirer :

1. Appuyez sur les deux coins avant du panneau filtrant pour débloquer. Abaissez le panneau pour accéder au filtre.
2. Appuyez sur le loquet du filtre pour le relâcher. Rabattez et tirez le filtre.

Pour le remplacer :

1. Placez les deux languettes de l'extrémité du filtre dans les fentes de montage inférieures sur le côté droit ou gauche de l'ouverture de la hotte.
2. Tirez le filtre et placez-le correctement dans la hotte.
3. Pivotez le panneau filtrant dans sa position et enfoncez ses deux coins avant pour le fixer.



Pour le nettoyer, trempez le filtre dans de l'eau chaude savonneuse et rincez à l'eau froide ou lavez-le dans le lave-vaisselle. N'utilisez pas de nettoyants abrasifs.

NOTE : Le lave-vaisselle risque de provoquer des décolorations.

Filtre à charbon (sur certains modèles)

Si le modèle n'est pas ventilé vers l'extérieur, l'air sera renvoyé à travers un filtre à charbon actif jetable qui permet d'évacuer la fumée et les odeurs.

Le filtre à charbon doit être remplacé lorsqu'il est particulièrement sale ou décoloré (en général après 6 à 12 mois, en fonction de l'utilisation qui est faite du filtre).

NOTE : NE rincez PAS, ou NE mettez PAS le filtre à charbon actif dans un lave-vaisselle automatique.

Le filtre à charbon actif ne peut être nettoyé. Il doit être remplacé.

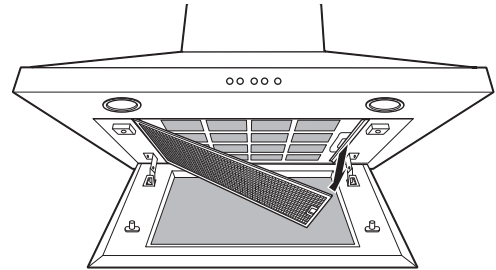
Commander un filtre à charbon actif WB02X11348.

Pour savoir où commander des filtres à charbon de rechange ou pour connaître l'adresse du revendeur le plus proche, veuillez appeler gratuitement le :

Centre national de pièces 800.561.3344

Pour le retirer :

1. Retirez le filtre métallique—voir la section Filtre métallique à graisse.
2. Retirez le filtre à charbon de la même manière que le filtre à graisse en appuyant sur le loquet du filtre pour le relâcher. Rabattez ou tirez sur le filtre.



Pour le remplacer :

1. Insérez le filtre à charbon noir dans l'ouverture. Poussez le verrou des deux côtés vers le centre et engagez le bride.
2. Remplacez le filtre métallique—voir la section Filtre métallique à graisse.

Surfaces de la hotte en acier inoxydable

Cirez régulièrement l'extérieur en acier inoxydable à l'aide du produit Stainless Steel Magic™ et du chiffon de cirage Monogram afin de préserver et de protéger la finition.

Afin d'éviter de rayer la finition en acier inoxydable, essuyez dans le même sens que le grain lorsque vous cirez ou nettoyez une surface en acier inoxydable.

Pour un nettoyage régulier, utilisez de l'eau propre et un tissu doux. Si la tâche persiste, lavez avec du liquide de vaisselle non corrosif à l'aide d'un chiffon doux ou d'une lingette non abrasive. Pour les tâches les plus difficiles, élaborer une solution composée de 25 % de vinaigre (blanc ou rouge) et de 75 % d'eau. Plongez un tissu doux dans la solution et grattez sur l'acier inoxydable pour retirer la tâche. Si vous ne parvenez pas à retirer les tâches, saletés ou les résidus, appelez 800.561.3344.

NOTE : Appliquez à nouveau le produit pour acier inoxydable Stainless Steel Magic à l'aide du chiffon de cirage Monogram après nettoyage ou si votre appareil entre en contact avec l'eau afin de protéger la finition.

Le produit Stainless Steel Magic™ et le chiffon de cirage Monogram sont disponibles parmi les composants et accessoires GE, en appelant le 800.561.3344 ou sur monogram.com.

Pour le produit Stainless Steel Magic, commandez en indiquant le numéro de pièce WX10X15.

N'utilisez pas de cire ou de lustrant pour appareil sur une surface en acier inoxydable.

N'utilisez pas de lingettes de décapage, de poussière nettoyante, d'eau de Javel ou de nettoyeurs contenant de l'eau de Javel, ces produits étant susceptibles de rayer ou d'abîmer la finition.

La garantie ne couvre pas les dommages dus à des méthodes de nettoyage inappropriées.

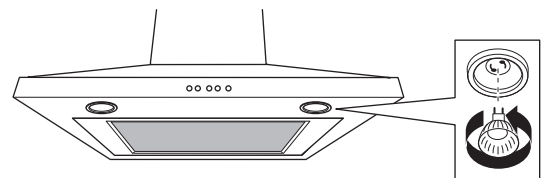
Ampoules

ATTENTION : Laissez les ampoules refroidir avant de les toucher.

Pour remplacer les ampoules :

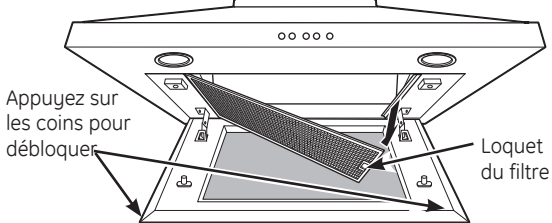
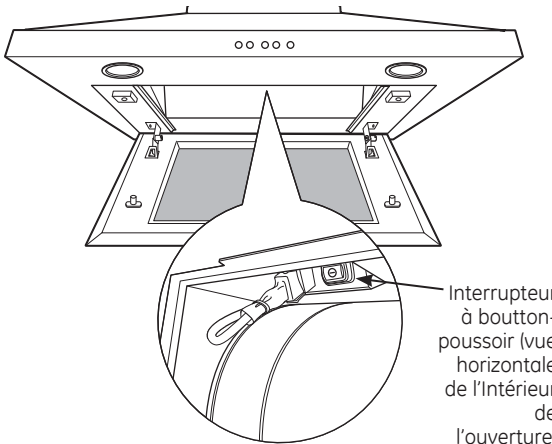
1. Appuyez et pivotez l'ampoule d'un 1/4 de tour.
2. L'ampoule tombera d'elle-même.
3. Remplacez-la par une ampoule de la même taille en plaçant les broches de l'ampoule dans les orifices et en pivotant d'un 1/4 de tour pour la fixer.

Ces ampoules halogènes 120 volts, 50 watts, MR16 à culots GU10 sont disponibles auprès de boutiques spécialisées, centres de construction et de détaillants. Demandez l'ampoule à culot MR16 GU10.



NOTE : Ne les remplacez pas par des ampoules supérieures à 120 volts, 50 watts, ou les lampes s'éteindront automatiquement et les anneaux autour des boutons de mise en marche clignoteront afin d'indiquer que les ampoules ont dépassé les limites acceptables.

Questions ?
Utilisez ce système de résolution de problème !

PROBLÈME	CAUSES POSSIBLES
<p>LE VENTILATEUR S'ENCLENCHE AUTOMATIQUEMENT OU SA VITESSE BAISSÉ ET IL NE PEUT ÊTRE ÉTEINT OU SA VITESSE ÊTRE RÉDUITE</p>	<ul style="list-style-type: none"> Le ventilateur de la hotte s'enclenchera automatiquement ou sa vitesse baissera automatiquement si les températures de cuisson augmentent de façon excessive. Le ventilateur s'éteindra automatiquement ou la vitesse baissera lorsque les températures baisseront jusqu'à un niveau approprié. Le ventilateur s'enclenchera également automatiquement lorsque la hotte est trop chaude. NOTE : Lorsque la fonction automatique du ventilateur est activée, vous pouvez le régler sur un niveau supérieur et non pas sur un niveau inférieur ou sur off.
<p>LE VENTILATEUR NE FONCTIONNE PAS MÊME ALLUMÉ</p>	<ul style="list-style-type: none"> Il se peut qu'un fusible soit grillé ou qu'un disjoncteur soit enclenché. Remplacez le fusible ou réglez à nouveau le disjoncteur. Le commutateur de la hotte peut être éteint. Retirez le filtre métallique à graisse et le filtre à charbon actif (si présent) et enclenchez le commutateur. REPÉREZ LE COMMUTATEUR ON/OFF. <ol style="list-style-type: none"> Appuyez pour relâcher ou abaisser le panneau filtrant sur l'avant. Enfoncez le loquet du filtre vers l'orifice et appuyez dessus pour le retirer. Retirez le filtre à charbon actif, si présent.  <ol style="list-style-type: none"> Accédez au compartiment à moteur et repérez le commutateur ON/OFF à l'avant de l'ouverture. Appuyez le commutateur sur la position ON.  <p>NOTE : Si l'aspirateur de la hotte doit être retiré pour une réparation, utilisez le commutateur pour votre sécurité. Appuyez le commutateur sur la position OFF.</p>

Questions ?
Utilisez ce système de résolution de problème !

PROBLÈME	CAUSES POSSIBLES
LE VENTILATEUR NE FAIT PAS CIRCULER L'AIR OU DÉPLACE L'AIR PLUS LENTEMENT QUE LA NORMALE	<ul style="list-style-type: none"> • Vérifiez le filtre métallique à graisse et le filtre à charbon actif (si présent) sont propre. Nettoyez le filtre métallique à graisse (voir la section <i>Filtre métallique à graisse</i>) et si la hotte est recyclée (non ventilé vers l'extérieur), remplacez le filtre à charbon actif (voir la section <i>Filtre à charbon actif</i>). Si malgré le nettoyage et le remplacement des filtres le problème persiste, appelez le service d'assistance. • L'air de compensation (remplacement) suffisant est nécessaire pour évacuer les appareils pour fonctionner au classement. Vérifiez avec les codes locaux du bâtiment, qui peuvent exiger ou conseiller vivement l'utilisation d'air de compensation. Visitez le site GEAppliances.com pour connaître les solutions offertes en matière de système de compensation d'air.
LE VENTILATEUR NE CESSE DE S'ÉTEINDRE ET DE S'ALLUMER	<ul style="list-style-type: none"> • Le moteur surchauffe probablement et s'éteint. Ceci risqué d'endommager le moteur. Vérifiez que le filtre est propre et si la tuyauterie est obstruée. Si le problème persiste, appelez le service d'assistance.
LES LAMPES NE FONCTIONNENT PAS ET LES ANNEAUX SITUÉS AUTOUR DES BOUTONS DE MISE EN MARCHÉ CLIGNOTENT	<ul style="list-style-type: none"> • Les lampe(s) ont été remplacées par des ampoules supérieures à 120 volts, 50 watts. Remplacez-les par des ampoules de taille et de type adéquats. Consultez la section <i>Ampoules</i>.
LA LAMPE NE RESTERA PAS SUR LE NIVEAU ÉLEVÉ	<ul style="list-style-type: none"> • Utilisez des ampoules halogènes de type 120 volts, 50 watts, des ampoules halogènes MR16 halogènes à culot GU10 et assurez-vous qu'elles ont été correctement introduites. Il est important de les remplacer par des ampoules ne dépassant pas le wattage autorisé. Des ampoules dont le wattage est supérieur provoqueront le clignotement des anneaux externes et les lampes ne fonctionneront pas au niveau élevé. Consultez la section <i>Ampoules</i>.
LES COMMANDES DE LA HOTTE NE FONCTIONNENT PAS CORRECTEMENT	<ul style="list-style-type: none"> • Coupez l'alimentation de la hotte en désactivant le disjoncteur ou en retirant le fusible de la boîte à fusibles de votre domicile. Patientez 30 secondes pour que les commandes de la hotte se réinitialisent, puis replacez le fusible et enclenchez à nouveau le disjoncteur.
SI VOUS APPUYEZ PLUSIEURS FOIS SUR LES BOUTONS DE LA LAMPE OU DU VENTILATEUR, LES RÉGLAGES CHANGERONT DU NIVEAU LE PLUS BAS AU NIVEAU OFF AU NIVEAU LE PLUS ÉLEVÉ, OU DU PLUS ÉLEVÉ AU NIVEAU OFF AU NIVEAU LE PLUS BAS	<ul style="list-style-type: none"> • Vous pouvez par conséquent régler les commandes sur le niveau souhaité, la hotte a été conçue de manière que les boutons de lampe et de ventilateur permettent de naviguer dans les réglages. C'est tout à fait normal.
LORSQUE VOUS APPUYEZ SUR LE BOUTON MEMORY/OFF POUR ALLUMER LA LAMPE, LE VENTILATEUR S'ENCLENCHE	<ul style="list-style-type: none"> • Pour votre confort, les lampes et le ventilateur se souviennent du dernier réglage lorsque vous appuyez sur le bouton Memory/Off. Si vous souhaitez n'allumer que les lampes, appuyez sur le bouton "FAN +" (ou le "FAN -") pour éteindre le ventilateur. Lorsque vous rallumerez la hotte, les lampes seront les seules à fonctionner. NOTE : Vous pouvez allumer ou éteindre le ventilateur et les lampes séparément, à l'aide des boutons « + » ou « - ».

Please place in envelope and mail to:
Veuillez mettre dans une enveloppe et envoyez à :

**OWNERSHIP REGISTRATION
P.O. BOX 1780
MISSISSAUGA, ONTARIO
L4Y 4G1**

(FOR CANADIAN CONSUMERS ONLY)



For Canadian
Customers



Pour les
Consommateurs
Canadiens

CUT ALONG THIS LINE AND RETURN CARD—THANKS

OWNERSHIP REGISTRATION CERTIFICATE – FICHE D'INSCRIPTION DU PROPRIÉTAIRE

Please register your product to enable us to contact you in the remote event a safety notice is issued for this product and to allow for efficient communication under the terms of your warranty, should the need arise.

Veillez enregistrer votre produit afin de nous permettre de communiquer avec vous si jamais un avis de sécurité concernant ce produit était émis et de communiquer facilement avec vous en vertu de votre garantie, si le besoin s'en fait sentir.

REGISTER ON-LINE: www.geappliances.ca		MAIL TO: P.O. BOX 1780, MISSISSAUGA ONTARIO, L4Y 4G1	
ENREGISTREMENT SUR INTERNET À: www.electromenagersqe.ca		POSTER À:	
<input type="checkbox"/> MR./M	<input type="checkbox"/> MRS./MME.	FIRST NAME / PRÉNOM	LAST NAME / NOM
<input type="checkbox"/> MISS/Mlle.	<input type="checkbox"/> MS.		
STREET NO / N° RUE	STREET NAME / RUE		APT. NO / APP. / RR#
CITY / VILLE		PROVINCE	POSTAL CODE / POSTAL
AREA CODE / IND. RÉG.	TELEPHONE	E-MAIL	
DID YOU PURCHASE A SERVICE CONTRACT FOR THIS APPLIANCE? AVEZ-VOUS ACHETÉ UN CONTRAT DE SERVICE POUR CET APPAREIL ?		YES / OUI <input type="checkbox"/> NO / NON <input type="checkbox"/>	IF YES / SI OUI : EXPIRATION Y/A M D/J
NAME OF SELLING DEALER / NOM DU MARCHAND		MODEL / MODÈLE	
INSTALLATION DATE / DATE D'INSTALLATION Y/A M D/J	CORRESPONDENCE CORRESPONDANCE	<input type="checkbox"/> ENGLISH <input type="checkbox"/> FRANÇAIS	SERIAL / SÉRIE
<input type="checkbox"/> I do not wish to receive any promotional offers regarding this product. <input type="checkbox"/> Je ne désire pas recevoir d'offres promotionnelles concernant ce produit.			

Avec l'achat de votre nouvel appareil Monogram, soyez assuré de recevoir toute l'information ou l'assistance dont vous pourriez avoir besoin, de la part de GE. Tout ce que vous avez à faire, c'est de nous appeler—gratuitement !

GE Answer Center®

800.561.3344

Quelle que soit votre question concernant n'importe quel appareil Monogram, le service d'information du GE Answer Center® est disponible pour vous aider. Votre appel—et votre question—seront pris en compte rapidement et courtoisement. Et vous pouvez nous contacter n'importe quand. Le service GE Answer Center® est ouvert 24 heures sur 24, du lundi au samedi.

OU

Visitez notre site web sur : monogram.com

Service favori Monogram

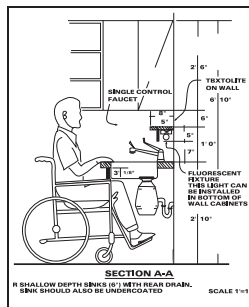
800.561.3344

Un professionnel qualifié du service GE s'occupera de la réparation, à un moment qui vous convienne. La plupart des entreprises du service GE vous proposent une intervention le jour même ou le lendemain, ou à votre convenance (de 07h00 à 22h00 les jours de semaine, de 08h00 à 18h00 les samedis et dimanches). Nos techniciens formés en usine connaissent l'intérieur et l'extérieur de votre appareil—la plupart des réparations peuvent être effectuées en une intervention seulement.

Au Canada : lundi au vendredi, de 07h00 à 20h00 et samedi, de 08h00 à 17h00 EDST.

Pour les clients avec des besoins spéciaux...

Aux États-Unis
800.626.2000



GE offre gratuitement une brochure pour aider à la planification d'une cuisine sans entrave pour les personnes à mobilité réduite.

Les consommateurs malentendants ou muets qui ont accès à un TDD ou à un télécriteur conventionnel peuvent appeler le 800.TDD.GEAC (800.833.4322) pour solliciter information ou service.

Contrats de service

800.561.3344

Vous pouvez être rassuré de savoir que le service GE sera toujours là après l'expiration de votre garantie. Souscrivez à un contrat GE pendant que votre garantie est toujours en vigueur et vous bénéficierez d'une ristourne substantielle. Avec un contrat sur plusieurs années, vous êtes assuré d'un futur service au prix d'aujourd'hui.

Pièces détachées et accessoires

800.561.3344

Les personnes qualifiées pour réparer leurs propres appareils peuvent commander des pièces détachées et des accessoires et se les faire envoyer directement à domicile. Le système de pièces détachées GE propose un accès à plus de 47 000 pièces... et toutes les pièces de rechange d'origine GE bénéficient d'une garantie complète. Les cartes bancaires VISA, MasterCard et Discover sont acceptées.

Les instructions de maintenance contenues dans ce manuel détaillent les procédures à utiliser par n'importe quel utilisateur. Toute autre réparation ou intervention doit être effectuée par un technicien qualifié. La prudence est nécessaire, car une réparation incorrecte peut provoquer un fonctionnement dangereux de l'appareil.

GARANTIE DE VOTRE HOTTE

**Agrafez ici le chèque annulé ou le reçu de votre achat.
La preuve d'achat originale sera nécessaire pour bénéficier
du service après-vente pendant la période de garantie.**

**CE QUI EST
COUVERT****GARANTIE LIMITÉE D'UN AN**

Pendant une année à compter de la date d'achat originale, nous fournirons gratuitement les pièces et la main-d'oeuvre à votre domicile, pour réparer ou remplacer **n'importe quelle partie de la hotte** qui serait défectueuse à cause d'un défaut de fabrication.

Cette garantie est étendue à l'acheteur original et à tout propriétaire successif pour les appareils achetés pour un usage domestique ordinaire dans les 48 États continentaux, à Hawaii, à Washington D.C. ou au Canada. Si cet appareil est installé dans un endroit où il n'existe pas de service agréé GE, vous pouvez avoir à prendre en charge les frais de transport, ou il peut vous être demandé d'apporter l'appareil dans un service GE agréé pour réparation. En Alaska, la garantie est la même, sauf qu'elle est LIMITÉE parce que vous devez prendre en charge les frais de transport au magasin ou les frais de déplacement du technicien du service à votre domicile.

Tous les services de garantie sont fournis par nos centres de service d'usine, ou par un technicien Customer Care® agréé, pendant les heures de travail normales.

Dans le cas où votre appareil nécessiterait une intervention, pendant la période de garantie ou au-delà, appelez le 800.444.1845 aux États-Unis. Au Canada, appelez le 800.561.3344. Munissez-vous du numéro de modèle et du numéro de série lors de votre appel au service après-vente.

**CE QUI N'EST
PAS COUVERT**

- Les déplacements à domicile pour vous apprendre à utiliser l'appareil.
- Le remplacement des fusibles du domicile ou la réinitialisation des disjoncteurs.
- Un dommage annexe ou consécutif provoqué par d'éventuels défauts de cet appareil.
- Remplacement des filtres jetables.
- Un dommage de l'appareil provoqué par un accident, un incendie, une inondation ou un cas de force majeure.
- Un dommage provoqué après la livraison.
- Une panne de l'appareil dans le cas d'une utilisation autre que celle prévue, ou d'une utilisation commerciale.
- Une installation incorrecte.
Si vous rencontrez un problème d'installation, contactez votre revendeur ou votre installateur. Vous êtes responsable de la fourniture appropriée d'électricité, de gaz, d'évacuation et d'autres raccords, comme indiqué dans les instructions d'installation fournies avec votre produit.
- Un appareil non accessible pour exécuter la réparation nécessaire.
- Installation ou entretien pour système de compensation d'air (remplacement).

EXCLUSION DES GARANTIES IMPLICITES – Votre seul et unique recours réside dans la réparation de l'appareil telle qu'elle est définie dans cette garantie limitée. Toutes autres garanties implicites, y compris les garanties implicites de valeur commerciale ou d'adéquation à un usage particulier, sont limitées à une année ou à la plus petite période autorisée par la loi.

Certains états/provinces n'autorisent pas l'exclusion ou la limitation des dommages fortuits ou indirects, par conséquent la limitation ou l'exclusion ci-dessus peut ne pas s'appliquer à vous. Cette garantie vous donne des droits légaux particuliers et il est possible que vous puissiez bénéficier d'autres droits, qui varient d'un état/province à l'autre.

Pour connaître quels sont vos droits légaux dans votre état/province, consultez le bureau de service aux consommateurs local ou national ou le ministère de la Justice.

Garant aux États-Unis : General Electric Company, Louisville, KY 40225

Garant au Canada : Mabe Canada Inc.

Introducción

Su nueva campana de chimenea Monogram hace una elocuente declaración de estilo y diseño. Si lo ha elegido por su pureza de diseño o su aplicada atención a los detalles—o por ambas razones—usted descubrirá que la combinación superior de formas y funciones de su campana de chimenea Monogram lo deleitará durante muchos años.

Su campana de chimenea Monogram cuenta con un diseño elegante y al mismo tiempo ofrece la ventilación necesaria durante la cocción de alimentos.

La información de las páginas siguientes lo ayudarán a operar y mantener su campana de chimenea de una manera adecuada.

Contenidos

Servicios para el consumidor	Controles y características	32
Garantía	40	
Instrucciones de seguridad	31	
Número de modelo y de serie	29	
Números telefónicos importantes	39	
Solucionador de problemas	35, 36	
	Cuidado y limpieza	
	Bombillas de luz	34
	Filtro de carbón	34
	Filtro de grasa de metal	33
	Panel del filtro	33
	Superficies de acero inoxidable de la campana ...	34

Antes de usar su campana de chimenea

Lea este manual con detenimiento. Su objetivo es ayudarlo a operar y mantener su nueva campana de chimenea de una manera adecuada.

Manténgalo a mano para responder sus preguntas.

Si no entiende algo o necesita más ayuda, hay una lista de números gratuitos de atención al cliente en la sección trasera de este manual.

O

Visite nuestro sitio Web: **monogram.com**

Escriba los números de modelo y de serie

Usted puede encontrarlos en una etiqueta sobre la campana.

Estos números también se encuentran en la Tarjeta de Registro de Propiedad de Producto embalada en forma separada con su campana.

Viste monogram.com y haga clic en "Registre su artefacto" para registrar su campana de chimenea.

Antes de enviar la tarjeta, tenga a bien escribir los números aquí:

Número de modelo

Número de serie

Utilice estos números en cualquier correspondencia o llamadas de servicio técnico relacionadas con su campana.

Si usted recibió un campana dañado

Comuníquese de inmediato con el vendedor (o constructor) que le vendió el campana.

Ahorre tiempo y dinero

Antes de solicitar servicio técnico, verifique el Solucionador de problemas ubicado en la parte trasera de este manual.

Incluye una lista de problemas operativos menores que usted puede corregir solo.

Si necesita servicio técnico

Para obtener servicio técnico, diríjase a la página de Servicios para el consumidor en la parte trasera de este manual.

Estamos orgullosos de nuestro servicio y deseamos que usted quede satisfecho. Si por alguna razón no está satisfecho con el servicio que recibe, aquí incluimos algunos pasos a seguir para obtener más ayuda.

PRIMERO, contacte a las personas que realizaron el servicio en su artefacto. Explique por qué no está satisfecho. En la mayoría de los casos, esto solucionará el problema.

DESPUÉS, si aún así no está satisfecho, escriba todos los detalles—incluyendo número telefónico—a:

Manager, Customer Relations
GE Appliances
Appliance Park
Louisville, KY 40225

INSTRUCCIONES IMPORTANTE DE SEGURIDAD LEA TODAS LAS INSTRUCCIONES ANTES DE USAR

PRECAUCIONES DE SEGURIDAD

⚠️ ADVERTENCIA: PARA REDUCIR EL RIESGO DE INCENDIOS, DESCARGAS ELÉCTRICAS O LESIONES PERSONALES, OBSERVE LO SIGUIENTE:

- A. Use esta unidad solamente de la manera que el fabricante lo indique. Si usted tiene preguntas, póngase en contacto con el fabricante.
- B. Antes de proporcionar servicio o de limpiar la unidad, desconecte el suministro eléctrico en el panel de servicio y cierre el mecanismo de seguridad para evitar que alguien lo conecte accidentalmente. Cuando no exista un dispositivo de cierre de seguridad, amarre un aviso visible, como una etiqueta al panel de servicio haciendo la advertencia.
- C. No use esta unidad con ningún dispositivo de control de velocidad de estado sólido.
- D. Esta unidad debe estar conectada a tierra.

⚠️ PRECAUCIÓN: PARA USO DE VENTILACIÓN GENERAL SOLAMENTE. NO USE PARA EXPULSAR MATERIALES PELIGROSOS O EXPLOSIVOS Y VAPORES.

⚠️ ADVERTENCIA: PARA REDUCIR EL RIESGO DE LESIONES PERSONALES EN EL CASO DE UN INCENDIO DEBIDO A GRASA DE ESTUFA QUEMADA, HAGA LO SIGUIENTE *:

- A. CONTENGA LAS LLAMAS con una tapa que ajuste bien sobre la sartén, con una lámina para hacer dulces o con una bandeja metálica, y luego apague el quemador. TENGA CUIDADO DE NO QUEMARSE. Si las llamas no se apagan inmediatamente, EVACUE EL LUGAR Y LLAME AL DEPARTAMENTO DE BOMBEROS.
- B. NUNCA AGARRE UNA SARTÉN O UNA OLLA QUE SE ENCUENTRE EN LLAMAS—Se podría quemar.
- C. NO USE AGUA, incluyendo paños de cocina o toallas humedecidas—esto hará que ocurra una explosión de vapor violenta.
- D. Use un extintor SOLAMENTE si:
 - 1. Usted sabe que tiene un extintor Clase ABC, y si usted ya sabe cómo operarlo.
 - 2. El fuego es pequeño y está contenido al área donde comenzó.
 - 3. El departamento de bomberos ha sido llamado.
 - 4. Usted está luchando contra las llamas con sus espaldas hacia una salida.

* Basado en "Ideas para la seguridad en la cocina", publicado por NFPA.

⚠️ ADVERTENCIA: PARA REDUCIR EL RIESGO DE UN FUEGO DE GRASA DE ESTUFA:

- A. Nunca deje unidades de superficies sin la atención debida en selecciones altas. Cuando se está hirviendo algo y ocurren derramamientos, estos podrían causar humo y que los derramamientos grasosos se incendien. Caliente los aceites lentamente a selecciones medias y bajas.
- B. Siempre encienda la campana cuando cocine a fuego alto o cuando flambee alimentos (Crepes Suzette, Cherries Jubilee, Flambeado de Carne con Pimienta).
- C. Limpie el ventilador con frecuencia. La grasa no debe acumularse en el ventilador o en el filtro.
- D. Use una sartén de tamaño apropiado. Siempre use piezas de cocina apropiadas para el tamaño del elemento de la superficie.

⚠️ ADVERTENCIA: PARA REDUCIR EL RIESGO DE INCENDIOS, DESCARGAS ELÉCTRICAS O LESIONES PERSONALES, OBSERVE LO SIGUIENTE:

- A. El trabajo de instalación y el alambrado eléctrico debe hacerlo una persona(s) calificada conforme a todos los códigos y estándares aplicables, incluyendo una construcción aprobada por el inspector de incendios.
- B. Suficiente aire es necesario para una combustión apropiada y para deshacerse de los gases a través de una salida de humo (chimenea) de equipos que queman combustibles para prevenir retroalimentación. Siga las recomendaciones del fabricante del equipo de calentamiento y los estándares de seguridad tales como los publicados por la Asociación nacional de protección de incendios (NFPA), y la Sociedad americana de ingenieros de calefacción, acondicionadores de aire y refrigeración (ASHRAE), y los códigos de las autoridades locales. Cuando corresponda, instale un sistema de reposición (reemplazo) de aire de acuerdo con los requisitos del código local de construcción. Para acceder a soluciones de aire disponibles, visite GEAppliances.com.
- C. Cuando se encuentre cortando o taladrando en la pared o en el techo, no dañe los alambros eléctricos u otras utilidades escondidas.
- D. Los ventiladores con conductos deben estar siempre ventilados hacia el exterior.

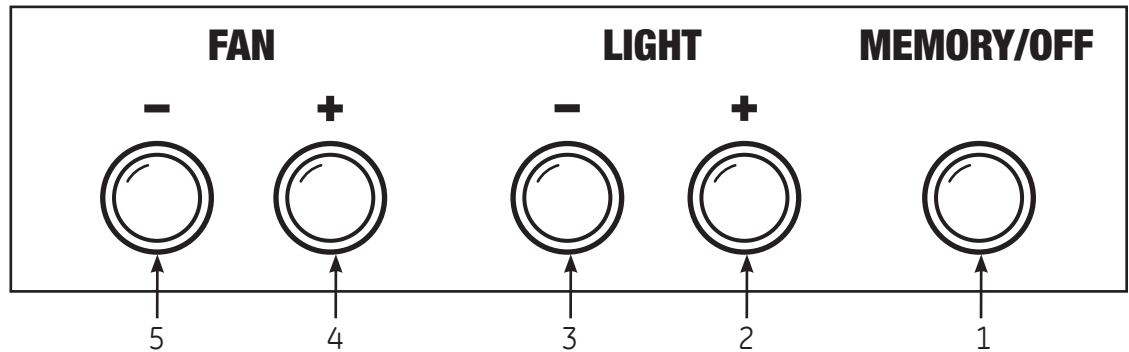
⚠️ ADVERTENCIA: PARA REDUCIR EL RIESGO DE INCENDIOS, SOLAMENTE USE CONDUCTOS METÁLICOS.

- No intente reparar o reemplazar ninguna parte de su campana a no ser que lo recomiende específicamente este manual. Cualquier otro servicio debe ser referido a un técnico calificado.

⚠️ PRECAUCIÓN: DISPOSITIVO OPERADO AUTOMÁTICAMENTE. PARA REDUCIR EL RIESGO DE LESIONES, DESCONECTE DE LA FUENTE DE ENERGÍA ANTES DE EFECTUAR REPARACIONES. LA UNIDAD SE ENCUENTRA EQUIPADA CON UN INTERRUPTOR DE DESCONEXIÓN INTEGRAL UBICADO DENTRO DEL CUERPO DEL VENTILADOR.

**LEA Y SIGA
ESTAS INSTRUCCIONES.**

Controles



1 Botón MEMORY/OFF (memoria/apagado).

Presione para buscar configuraciones guardadas del ventilador y las luces.

Para guardar configuraciones deseadas del ventilador y las luces:

1. Presione el botón MEMORY/OFF (memoria/apagado).
2. Seleccione las configuraciones deseadas.
3. Presione MEMORY/OFF para guardar.

La campana se apagará y las configuraciones quedarán guardadas.

NOTAS:

- Cuando cualquier botón se encuentre activo (encendido), todos los anillos exteriores se iluminarán.
- La campana puede apagarse (OFF) en cualquier momento presionando el botón MEMORY/OFF (memoria/apagado).
- Siempre desactive (apague) los botones cuando no esté usando la campana.

2 Botón LIGHT INCREASE ON/OFF (aumento de luz encendido/apagado).

Presione para encender o aumentar el nivel de luz. Los botones le permiten desplazarse hasta la configuración deseada. (Existen cuatro niveles de luz/configuraciones y apagado (OFF).

3 Botón LIGHT DECREASE ON/OFF (disminución de luz encendido/apagado).

Presione para encender o disminuir el nivel de luz. Los botones le permiten desplazarse hasta la configuración deseada. (Existen cuatro niveles de luz/configuraciones y apagado (OFF).

4 Botón FAN INCREASE ON/OFF (aumento de ventilador encendido/apagado).

Presione para encender o aumentar las configuraciones del ventilador. Los botones le permiten desplazarse hasta la configuración deseada. (Utilice para configurar la velocidad del ventilador en LOW (baja), MED (media), HIGH (alta), BOOST (impulso) o en OFF (apagado).

5 Botón FAN DECREASE ON/OFF (disminución de ventilador encendido/apagado).

Presione para encender o disminuir las configuraciones del ventilador. Los botones le permiten desplazarse hasta la configuración deseada. (Utilice para configurar la velocidad del ventilador en LOW (baja), MED (media), HIGH (alta), BOOST (impulso) o en OFF (apagado).

BOOST (impulso)—Funciona cinco minutos en la configuración máxima del ventilador y luego automáticamente se reconfigura en HIGH (alta).

NOTA: BOOST (impulso) puede mantenerse más de cinco minutos cuando se activa mediante el sensor automático.

CARACTERÍSTICA DE VENTILADOR

AUTOMÁTICO—El ventilador de la campana se enciende o aumenta la velocidad en forma automática si las temperaturas de cocción se elevan demasiado. El ventilador se apagará automáticamente o disminuirá la velocidad cuando las temperaturas bajen hasta un nivel apropiado.

NOTA: Cuando la característica automática se encuentra encendida, se puede programar el ventilador en una configuración más alta pero no en una más baja o en apagado.

Para su seguridad

Antes de realizar reparaciones o limpiar la unidad, desconecte la energía desde el panel de servicio y bloquee éste último para evitar el accionamiento

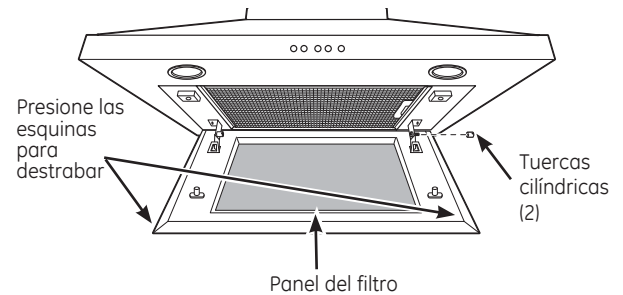
de la energía de manera accidental. Si el panel de servicio no puede bloquearse, coloque una etiqueta o cartel de advertencia sobre el panel.

Panel del filtro

Se acumulará grasa en el panel del filtro. El panel es apto para lavavajillas y debe limpiarse cada 6 meses o según sea necesario.

1. Presione hacia adentro para liberarlo y baje el panel de la tapa del filtro.
2. Quite las tuercas cilíndricas y tornillos de la bisagra de ambos lados. Desplace el panel del filtro hacia la izquierda y quítelo.
3. Coloque el panel de la tapa del filtro en el lavavajillas con los orificios de desagüe hacia abajo.

NOTA: El filtro SIEMPRE debe estar en su lugar y el panel del filtro SIEMPRE debe estar cerrado cuando la campana se encuentre en uso.



Filtro de grasa de metal

El filtro de metal atrapa la grasa liberada por los alimentos desde la estufa. El filtro también ayuda a evitar que las llamas (de alimentos, grasa) dañen la parte interna de la campana.

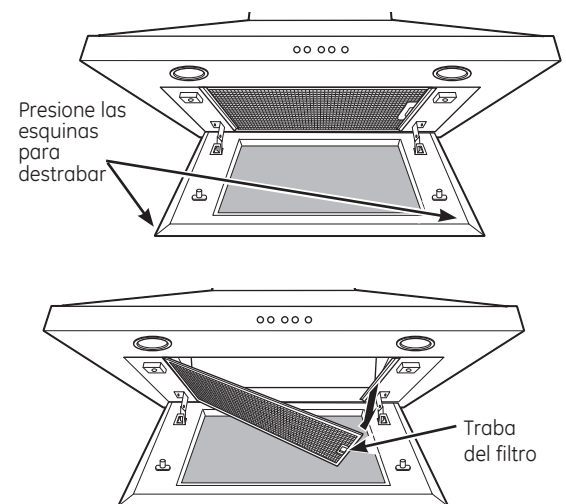
Por esta razón, el filtro SIEMPRE debe estar en su lugar y el panel del filtro SIEMPRE debe estar cerrado cuando la campana se encuentre en uso. El filtro de grasa es apto para lavavajillas y debe limpiarse cada 6 meses, o según sea necesario.

Para retirar:

1. Presione hacia arriba sobre las dos esquinas frontales del panel de la tapa del filtro para desmontarlo. Baje el panel para poder acceder al filtro.
2. Presione la traba del filtro hacia adentro para liberarlo. Jale del filtro hacia abajo y quítelo.

Para reemplazar:

1. Coloque las dos lengüetas del borde del filtro dentro de las ranuras de ubicación inferiores sobre el lado izquierdo o derecho de la abertura de la campana.
2. Presione el filtro hacia arriba y trábelo en su lugar en la campana.
3. Gire el panel de la tapa del filtro en su posición y presione hacia arriba sobre las dos esquinas frontales para trabarlo en su lugar.



Limpie el filtro en agua jabonosa caliente y enjuague con agua limpia o lávelo en el lavavajillas. No utilice productos de limpieza abrasivos.

NOTA: En el lavavajillas se producirá una leve decoloración.

Filtro de carbón

(en algunos modelos)

Si el modelo no tiene ventilación al exterior, el aire se recirculará a través de un filtro de carbón desechable que ayuda a remover humo y olores.

El filtro de carbón debe cambiarse cuando esté evidentemente sucio o decolorado (usualmente después de 6 a 12 meses, dependiendo del uso de la campana).

NOTA: NO enjuague, o lave el filtro de carbón en un lavaplatos automático.

El filtro de carbón no se pueden limpiar. Debe cambiarse.

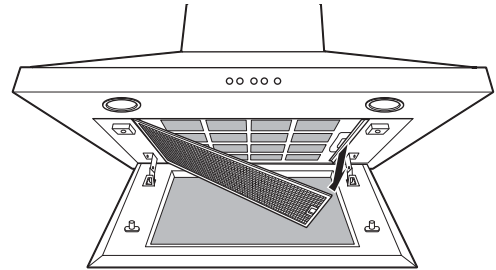
Solicite el filtro de carbón WB02X11348.

Para consultar sobre la adquisición de filtros de carbón de recambio o para averiguar la dirección del distribuidor más cercano, por favor llame al siguiente número telefónico gratuito:

Centro nacional de piezas 800.626.2002

Para retirar

1. Quite el filtro de metal—ver la sección Filtro de grasa de metal.
2. Quite el filtro de carbón de la misma manera que el filtro de grasa de metal presionando la traba del filtro hacia adentro para liberarlo. Jale del filtro hacia abajo y quítelo.



Para reemplazar:

1. Inserte el filtro negro de carbón en la abertura. Presione la traba sobre ambos lados hacia el centro y enganche el reborde.
2. Cambie el filtro de metal—ver la sección Filtro de grasa de metal.

NOTA: Vuelva a aplicar Stainless Steel Magic con el paño de pulido Monogram después de limpiar o si su unidad entra en contacto con agua, a fin de proteger el acabado fino.

Stainless Steel Magic y el paño de pulido Monogram se encuentran disponibles a través de Piezas y accesorios de GE, 800.626.2002 o monogram.com.

Para solicitar Stainless Steel Magic, solicite el número de pieza WX10X15.

No utilice cera o pomada para artefactos sobre ninguna superficie de acero inoxidable.

No utilice esponjillas abrasivas, limpiadores en polvo, lejía o limpiadores que contengan lejía porque estos productos pueden rayar y dañar el acabado.

La garantía no cubre daños provocados por métodos de limpieza inapropiados.

Superficies de acero inoxidable de la campana

Regularmente pula la parte externa de acero inoxidable con Stainless Steel Magic™ y el paño de pulido Monogram, para preservar y proteger el acabado fino.

Para no rayar el acabado fino del acero inoxidable, pase el paño en la misma dirección de la veta cuando pula o limpie cualquier superficie de acero inoxidable.

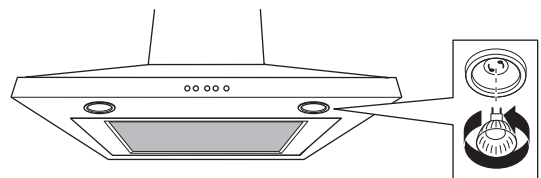
Para una limpieza regular, utilice agua limpia y un paño suave. Si las manchas persisten, limpie con un detergente suave para vajilla utilizando un paño suave o esponjilla no abrasiva. Para manchas más rebeldes, prepare una solución de 25% de vinagre (blanco o rojo) y 75% de agua. Introduzca un paño suave en la solución y frote sobre el acero inoxidable para quitar la mancha. Si estos métodos no quitan las manchas, suciedad o residuos, llame al 800.GE.CARES.

Bombillas de luz

PRECAUCIÓN: Antes de tocarlas, espere a que las bombillas se enfríen.

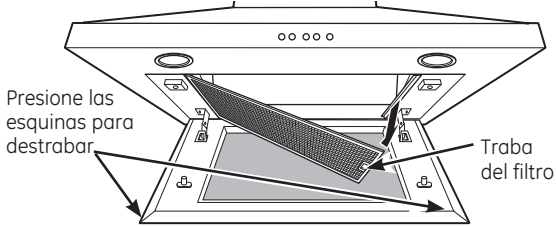
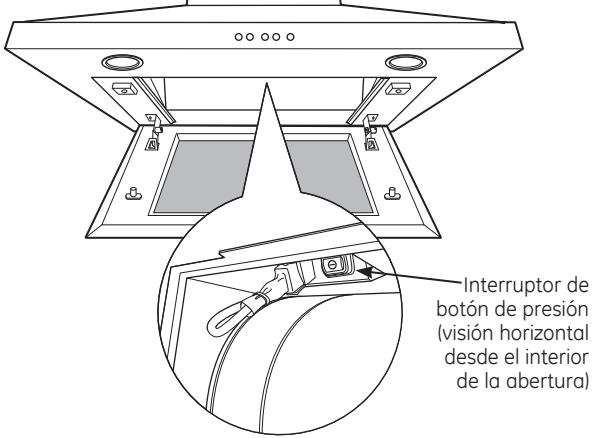
Para cambiar las bombillas de la luz:

1. Presione y gire la bombilla en un 1/4 de giro.
2. La bombilla caerá hacia abajo.
3. Vuelva a colocar una bombilla del mismo tamaño colocando las púas de la bombilla dentro de las ranuras y dando 1/4 de giro para trabar en su lugar. Estas bombillas halógenas de 120 voltios, 50 vatios, MR16 con bases GU10 se encuentran disponibles en la mayoría de las tiendas de iluminación, centros de construcción y minoristas grandes. Solicite la bombilla de base MR16 GU10.



NOTA: No utilice bombillas mayores a 120 voltios y 50 vatios, o las luces se apagarán automáticamente y los anillos que rodean los botones de funcionamiento se iluminarán para indicar que las bombillas han superado los límites aceptables.

¿Preguntas?
¡Utilice este
solucionador
de problemas!

PROBLEMA	CAUSAS POSIBLES
<p>EL VENTILADOR SE ENCIENDE O AUMENTA LA VELOCIDAD AUTOMÁTICAMENTE Y NO PUEDE APAGARSE O REDUCIRSE SU VELOCIDAD</p>	<ul style="list-style-type: none"> El ventilador de la campana se enciende o aumenta la velocidad en forma automática si las temperaturas de cocción se elevan demasiado. El ventilador se apagará automáticamente o disminuirá la velocidad cuando las temperaturas bajen hasta un nivel apropiado. El ventilador también se encenderá automáticamente cuando los elementos electrónicos se calienten demasiado. NOTA: Cuando la característica de ventilador automático se encuentra encendida, se puede programar el ventilador en una configuración más alta pero no en una más baja o en apagado.
<p>EL VENTILADOR NO FUNCIONA CUANDO SE LO ENCIENDE</p>	<ul style="list-style-type: none"> El fusible puede haberse quemado o el disyuntor puede haber saltado. Cambie el fusible o vuelva a configurar el disyuntor. El interruptor de desconexión de energía ubicado dentro de la campana puede estar apagado. Quite el filtro de grasa de metal y de carbón (si se cuenta con uno) y accione el interruptor. UBIQUE EL INTERRUPTOR ON/OFF (encendido/apagado). <ol style="list-style-type: none"> Presione hacia adentro para liberarlo y baje el panel de la tapa del filtro en el frente. Presione la traba del filtro hacia la abertura y jale hacia abajo para quitarlo. Quite el filtro de carbón, si se cuenta con uno.  <ol style="list-style-type: none"> Busque dentro del compartimento del motor y ubique el interruptor ON/OFF (encendido/apagado) en el frente de la abertura.  <ol style="list-style-type: none"> Presione el interruptor en la posición ON (encendido). <p>NOTA: Si el ventilador de la campana debe quitarse para recibir servicio técnico, utilice el interruptor de desconexión para su seguridad. Presione el interruptor en la posición OFF (apagado).</p>

¿Preguntas?
¡Utilice este
solucionador
de problemas!

PROBLEMA	CAUSAS POSIBLES
EL VENTILADOR NO CIRCULA EL AIRE O MUEVE EL AIRE MÁS LENTAMENTE QUE LO NORMAL	<ul style="list-style-type: none"> Asegúrese de que el filtro de grasa de metal y el filtro de carbón (si se cuenta con uno) estén presentes. Limpie el filtro de grasa de metal (ver la sección <i>Filtro de grasa de metal</i>) y, si la campana se recircula (no se ventila hacia el exterior), cambie el filtro de carbón (ver la sección <i>Filtro de carbón</i>). Si la limpieza y el recambio de filtros no corrigen el problema, llame al servicio técnico. Se requiere suficiente reposición (reemplazo) de aire para que los artefactos con salida de aire funcionen de acuerdo con sus calificaciones energéticas. Controle los códigos locales de construcción, que podrán requerir o aconsejar enfáticamente el uso de reposición de aire. Para acceder a soluciones de aire disponibles, visite GEAppliances.com.
EL VENTILADOR SE ENCIENDE Y APAGA TODO SIN PARAR	<ul style="list-style-type: none"> El motor probablemente se está sobrecalentando y se apaga solo. Esto puede dañar el motor. Asegúrese de que el filtro esté limpio y verifique que no haya taponamientos en el conducto. Si continúa el ciclo de apagado y encendido, llame al servicio técnico.
LAS LUCES NO FUNCIONAN Y LOS ANILLOS UBICADOS ALREDEDOR DE LOS BOTONES DE FUNCIONAMIENTO PARPADEAN	<ul style="list-style-type: none"> Las luces se reemplazaron con bombillas de límites mayores a los 120 voltios y 50 vatios. Utilice la bombilla del tipo y tamaño correctos. Ver la sección <i>Bombillas de luz</i>.
LA LUZ NO SE MANTIENE EN LA CONFIGURACIÓN ALTA	<ul style="list-style-type: none"> Utilice bombillas halógenas de 120 voltios, 50 vatios, MR16 con una base GU10 y asegúrese de que estén bien colocadas. Es importante utilizar bombillas que no superen el vataje recomendado. Las bombillas con un vataje superior harán que los anillos externos parpadean, y las luces no funcionarán en los niveles más altos. Ver la sección <i>Bombillas de luz</i>.
LOS CONTROLES DE LA CAMPANA NO FUNCIONAN CORRECTAMENTE	<ul style="list-style-type: none"> Desconecte la energía de la campana apagando el disyuntor o quitando el fusible de la caja de fusibles. Espere 30 segundos para que los controles de la campana se reconfiguren y luego cambie el fusible o vuelva a activar el disyuntor.
SI SE PRESIONAN CONSECUTIVAMENTE LOS BOTONES DE LUZ O DEL VENTILADOR, CAMBIARÁ LA CONFIGURACIÓN DE LA MÁS BAJA A APAGADO A LA CONFIGURACIÓN MÁS ALTA, O DE LA MÁS ALTA A APAGADO, A LA CONFIGURACIÓN MÁS BAJA	<ul style="list-style-type: none"> Para que pueda programar fácilmente los controles en la configuración deseada, la campana está diseñada para que los botones de luz y del ventilador se desplacen entre configuraciones. Esto es normal.
CUANDO SE PRESIONA EL BOTÓN MEMORY/OFF (MEMORIA/APAGADO) PARA ENCENDER LA LUZ, EN SU LUGAR SE ENCIENDE EL VENTILADOR	<ul style="list-style-type: none"> Para su comodidad, es normal que las luces y el ventilador “recuerden” su última configuración cuando presiona el botón Memory/Off. Si sólo desea encender las luces, presione el botón “FAN +” (ventilador +) (o el “FAN -”) (ventilador -) para apagar el ventilador. Cuando vuelva a encender la campana, sólo funcionarán las luces. NOTA: Se pueden encender y apagar las luces y el ventilador por separado, utilizando los botones “+” o “-”.

Con la compra de su nuevo artefacto Monogram, tenga la tranquilidad de que si alguna vez necesita información o asistencia de GE, estaremos listos para hacerlo. ¡Todo lo que tiene que hacer es llamar en forma gratuita!

GE Answer Center®

800.626.2000

Cuando tenga una consulta sobre cualquier artefacto importante Monogram, el servicio de información GE Answer Center® estará listo para ayudarlo. Su llamada—y su pregunta—serán respondidas rápida y cortésmente. Y usted puede llamar en cualquier momento. El servicio GE Answer Center® está abierto 24 horas al día, de lunes a sábado.

O

Visite nuestro sitio web: monogram.com

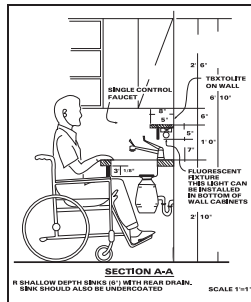
Servicio preferido Monogram

800.444.1845

Un profesional de servicio técnico de GE le brindará un servicio de reparación experto, programado en un momento que resulte conveniente para usted. Muchas locaciones operadas por la compañía de servicio técnico de GE le ofrecen un servicio en el día o al día siguiente, a cuando sea conveniente para usted (7:00 a.m. a 10:00 p.m. días de semana, 8:00 a.m. a 6:00 p.m. sábados y domingos). Nuestros técnicos capacitados en la fábrica conocen el artefacto por completo, así que la mayor parte de las reparaciones puede efectuarse en sólo una visita.

Para clientes con necesidades especiales...

800.626.2000



GE le ofrece, en forma gratuita, un folleto para ayudar a planificar una cocina libre de barreras para personas con movilidad limitada.

Los consumidores con problemas auditivos o de habla que tienen acceso a un TDD (teléfono para sordomudos) o un teletipo convencional pueden llamar al 800.TDD.GEAC (800.833.4322) para solicitar información o servicio técnico.

Contratos de servicio técnico

800.626.2224

Usted puede estar tranquilo de que el Servicio Técnico de GE estará allí para ayudarlo cuando finalice su garantía. Adquiera un contrato GE mientras su garantía sigue vigente y recibirá un descuento sustancial. Con un contrato de varios años, usted se asegura servicio técnico futuro con los precios de hoy.

Piezas y accesorios

800.626.2002

Las personas calificadas para arreglar sus propios artefactos pueden recibir las piezas o accesorios directamente en sus hogares. El sistema de piezas de GE ofrece acceso a más de 47.000 repuestos...y todas las Piezas de Repuesto Genuinas de GE tienen garantía total. Se aceptan tarjetas VISA, MasterCard y Discover.

Las instrucciones de mantenimiento del usuario incluidas en este manual cubren los procedimientos a realizar por cualquier usuario. Cualquier otra clase de arreglos deben ser efectuados por personal de servicio técnico calificado. Debe tenerse mucho cuidado, porque los arreglos inadecuados pueden provocar un funcionamiento poco seguro.

GARANTÍA DE SU CAMPANA MONOGRAM
Abroche el comprobante de venta o cheque compensado aquí. Se necesita una prueba de la fecha de compra original para obtener servicio técnico cubierto por la garantía.

ELEMENTOS CUBIERTOS

GARANTIE LIMITÉE D'UN AN

Durante un año a partir de la fecha original de compra, otorgaremos, en forma gratuita, piezas y servicio técnico en su hogar para reparar o reemplazar cualquier parte de su campana que falle debido a defectos en la fabricación.

Esta garantía se extiende al comprador original y cualquier dueño posterior para productos adquiridos para uso doméstico dentro de los 48 estados continentales, Hawaii, Washington, D.C. o Canadá. Si el producto se encuentra en una región donde no hay Servicio Técnico de GE, usted será responsable del cargo del viaje o usted puede tener que llevar el producto a un Servicio Técnico Autorizado de GE para efectuar la reparación. En Alaska la garantía es la misma salvo que es LIMITADA porque usted debe pagar el envío del producto a la tienda de servicio técnico o los gastos de viaje del técnico hasta su hogar.

Todo el servicio de garantía debe suministrarse por parte de nuestros Centros de Servicio de Fábrica o por técnicos autorizados de Customer Care® durante un horario normal de trabajo.

Si su artefacto requiere servicio técnico, durante el período de garantía o después del mismo, en los EE.UU. llame al 800.444.1845. En Canadá: 800.561.3344. Tenga el número de serie y de modelo a mano cuando llame para solicitar un servicio técnico.

ELEMENTOS NO CUBIERTOS

- **Visitas a su hogar para enseñarle a usar el producto.**
- **Reemplazo de fusibles domésticos o la reconfiguración de disyuntores.**
- **Daños incidentales o resultantes provocados por posibles defectos en este artefacto.**
- **Recambio de los filtros reemplazables.**
- **Daños al producto provocados por accidentes, incendios, inundaciones o fuerza mayor.**
- **Daños provocados después de la entrega.**
- **Fallas del producto si se utiliza para un objetivo diferente del previsto o se usa de forma comercial.**
- **Instalación inadecuados.**
 Si tiene un problema con la instalación, comuníquese con su vendedor o instalador. Usted es responsable de suministrar adecuadas instalaciones eléctricas, de gas, de salida y otras conexiones como se describe en las Instrucciones de Instalación incluidas con el producto.
- **Producto no accesible para prestar el servicio técnico solicitado.**
- **Instalación o servicio técnico para sistemas con reposición (reemplazo) de aire.**

EXCLUSIÓN DE GARANTÍAS IMPLÍCITAS—Su único y exclusivo recurso es la reparación del producto como se establece en la presente Garantía Limitada. Las garantías implícitas, incluyendo garantías de comerciabilidad y aptitud para un objetivo particular, se encuentran limitadas a un año o el período más corto permitido por la ley.

Algunos estados/provincias no permiten la exclusión o limitación de daños incidentales o resultantes, por lo tanto esta exclusión o limitación puede no aplicarse en su caso. Este garantía le otorga derechos legales específicos y usted puede contar con otros derechos, que pueden variar de estado a estado/provincia a provincia.

Para conocer sus derechos legales en su estado/provincia, consulte a su oficina del consumidor local o estatal/provincial o al Fiscal General de su estado.

Garante en los EE.UU.: General Electric Company, Louisville, KY 40225

Garante en Canadá: Mabe Canada Inc.

49-80513-3

01-13 GE

Printed in Mexico



GE Appliances & Lighting
 Appliances
 General Electric Company
 Louisville, KY 40225
 monogram.com

Free Manuals Download Website

<http://myh66.com>

<http://usermanuals.us>

<http://www.somanuals.com>

<http://www.4manuals.cc>

<http://www.manual-lib.com>

<http://www.404manual.com>

<http://www.luxmanual.com>

<http://aubethermostatmanual.com>

Golf course search by state

<http://golfingnear.com>

Email search by domain

<http://emailbydomain.com>

Auto manuals search

<http://auto.somanuals.com>

TV manuals search

<http://tv.somanuals.com>