



Very Well Connected™

INSTALLATION INSTRUCTIONS

<u>Product</u>	<u>Revision</u>	<u>Form</u>
PANASONIC CF19 DOCKING STATIONS, CRADLE and ACCESSORIES	Rev. H	INST-372
7160-0207: Docking Station (NO/RF)	7160-0215: LED Assembly	
7160-0207-02: Docking Station (DUAL/RF)	7160-0049: CF19 Screen Support	
7160-0264-00 (-P): MK4 Docking Station (NO/RF)	7160-0073: CF19 Wedge	
7160-0264-02 (-P): MK4 Docking Station (DUAL/RF)		
7160-0264-03 (-P): MK4 Docking Station w/Power Adapter (NO/RF)		
7160-0264-04 (-P): MK4 Docking Station w/Power Adapter (DUAL/RF)		
7160-0264-05: Cradle CF19 MK4		Printing Spec: PS-001

7160-0207 & 7160-0207-02 Docking Stations are compatible with all CF19 & CF18 computers.

7160-0264-00 (-P), 7160-0264-02 (-P), 7160-0264-03 (-P) & 7160-0264-04 (-P) Docking Stations (Identified by Toughbook Certified "Red Check" Label) are compatible only with CF19 MK4 Computers. MK4 Computers are identified by a letter "R" or higher in the computers model number (i.e. CF-19R...)

7160-0264-05 Cradle CF19 MK4, and all accessories, are compatible with all CF19 Computers.

Panasonic recommends using a Lind Auto Adapter to power the docking station. It can be ordered from Gamber-Johnson (Item No. 11798).

For instructions on the features, setup and operation of the CF19 computer, refer to the manuals supplied by Panasonic with the computer.

No adjustments of the electrical components within the electrical enclosure are required. Opening the enclosure (except to install the Power Cable) will break a seal and void the product warranty.

Conducting a "bench test", (the assembly, interconnection and start-up of all components: Computer, Docking Station and any customer supplied equipment: printers, modems, scanners, etc.) is strongly advised to verify all electronic and software issues are resolved.

Suggested flow of work is to:

1. Install and verify the computer is operational.
2. Add customer supplied equipment (printers, modems, scanner etc.)

If installing inside a vehicle, positioning of all mounts and equipment in the vehicle before the actual install is also recommended to verify that mounting locations are practical.

Drivers: If needed, the software driver for this product can be downloaded from Panasonic's Support Page: <http://panasonic.com/business/toughbook/computer-support-search-downloads.asp>

Product Mounting Disclaimer

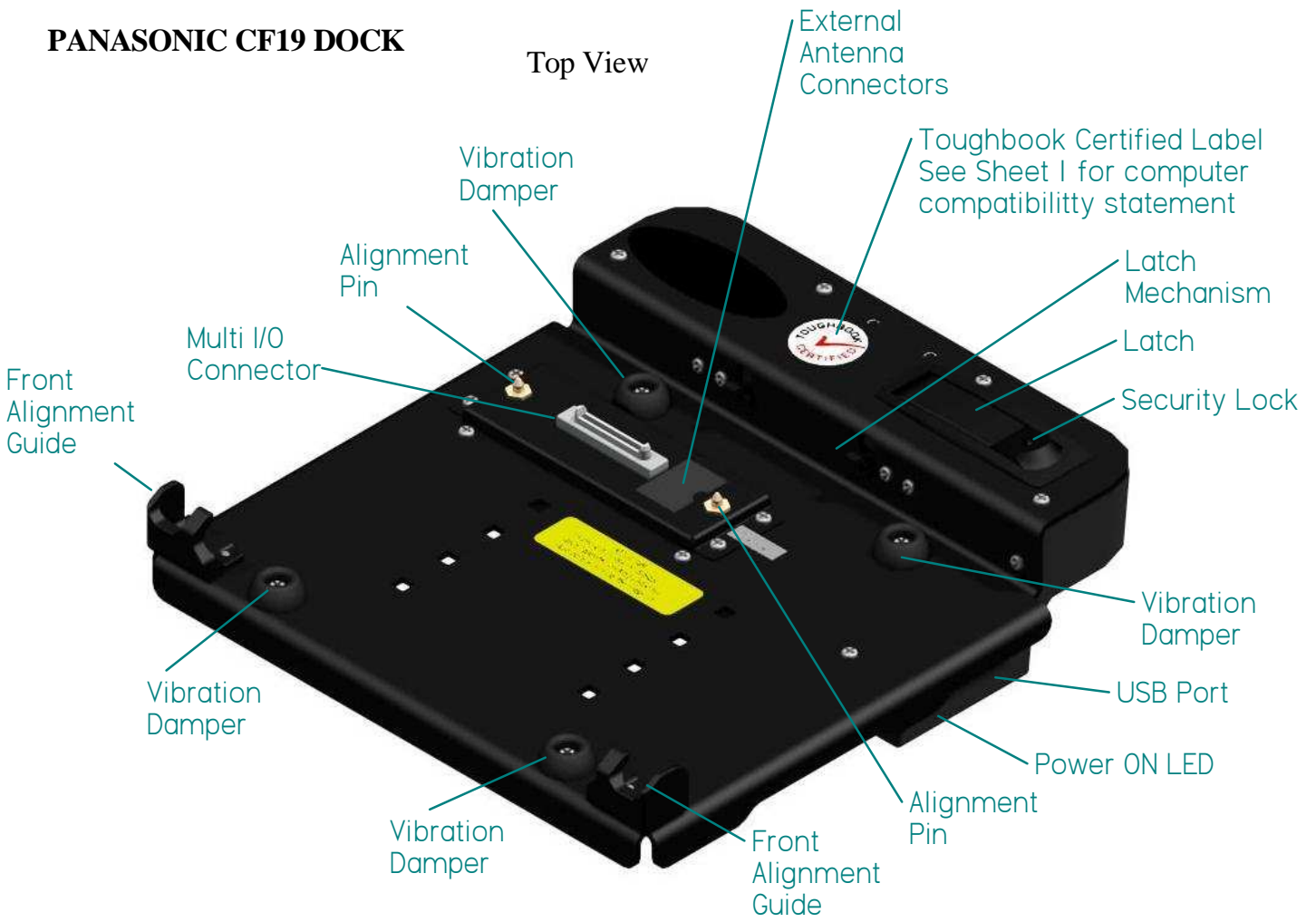
Gamber-Johnson is not liable under any theory of contract or tort law for any loss, damage, personal injury, special, incidental or consequential damages for personal injury or other damage of any nature arising directly or indirectly as a result of the improper installation or use of its products in vehicle or any other application. In order to safely install and use Gamber-Johnson products full consideration of vehicle occupants, vehicle systems (i.e., the location of fuel lines, brakes lines, electrical, drive train or other systems), air-bags and other safety equipment is required. Gamber-Johnson specifically disclaims any responsibility for the improper use or installation of its products not consistent with the original vehicle manufacturers specifications and recommendations, Gamber-Johnson product instruction sheets, or workmanship standards as endorsed through the Gamber-Johnson Certified Installer Program.

© copyright 2011 Gamber-Johnson, LLC

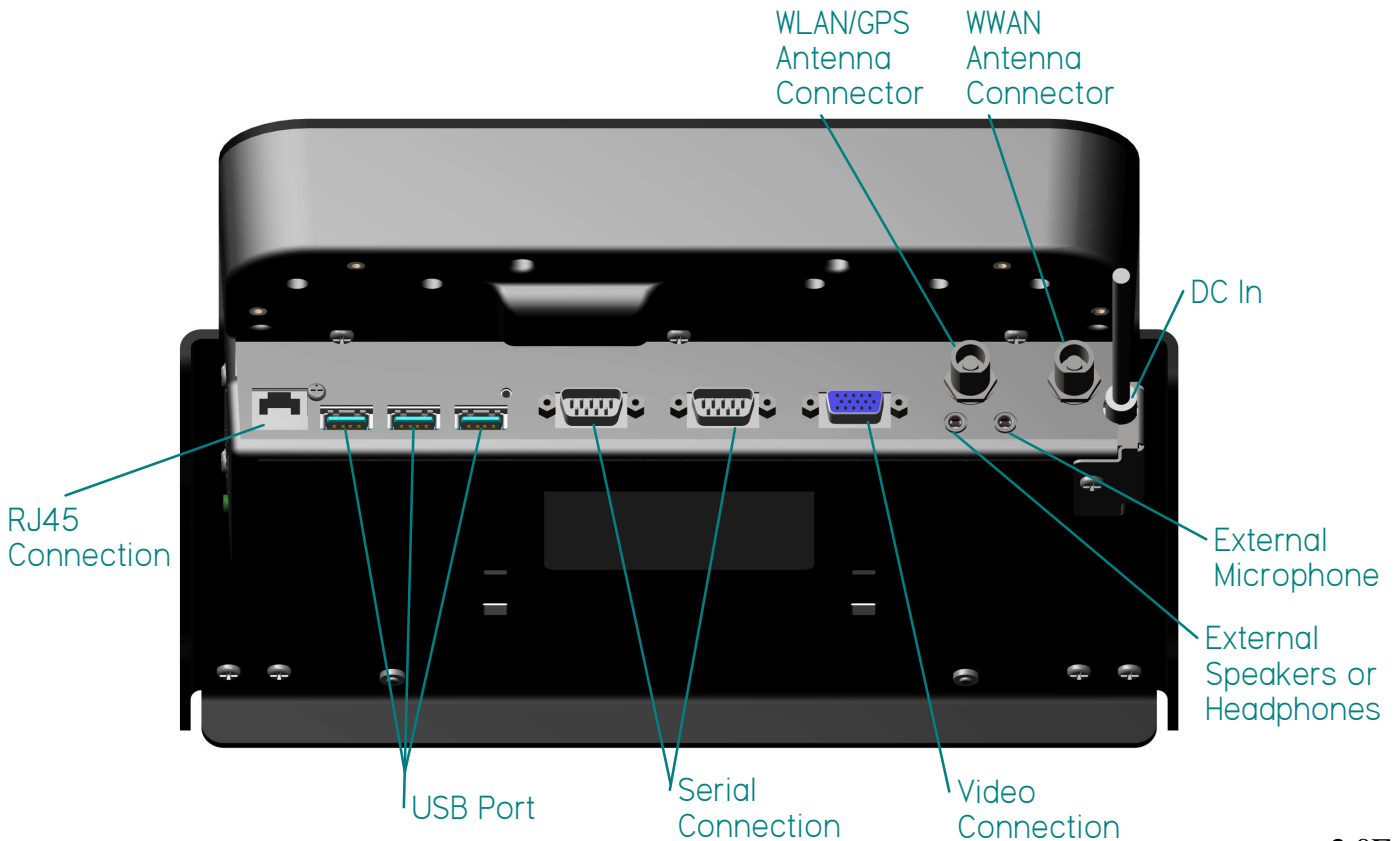
If you need assistance or have questions, call Gamber-Johnson at 1-800-456-6868

PANASONIC CF19 DOCK

Top View



Back View



Installation of the Power Jack:

Remove the #6-32unc x .1/4" long screw that attaches the Power Cable Cover to the outside of the dock (fig 1). Attach the Power Cable Pull Strap (located in hardware bag) to the power jack (fig 2). Plug the power jack into the input jack located on the port replicator board and tuck the pull strap into the electrical box (fig 3). Replace the Power Cable Cover to hold the power jack in place (fig 4).

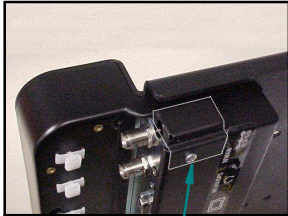


fig 1 Remove #6-32 x 1/4-in screw & power cable cover



fig 2

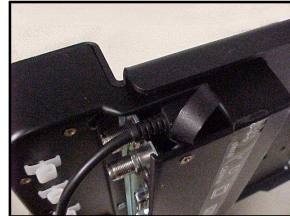


fig 3

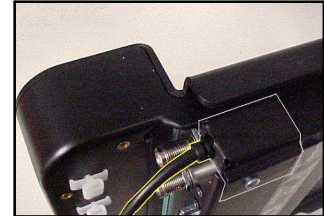


fig 4

Installing CF19 Computer into the Dock

Step 1: Make sure the sliding door, located on the bottom surface of the computer, has been opened to expose the computers' docking connector (fig 5). Make sure no loose or foreign objects are on the surface of the dock (fig 6).



fig 5

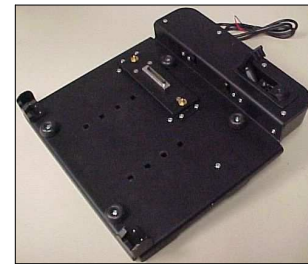


fig 6

Step 2: Unlock the latch if locked. Depress the latch button to release the rear hooks (fig 7).

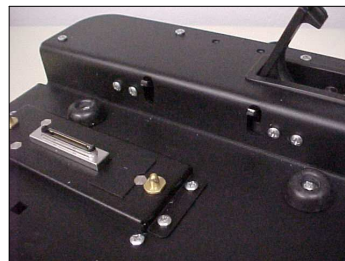


fig 7



fig 8

Step 3: Place the front edge of the computer into the dock. Two notches on the front edge of the computer case will fit onto the two hooks along the front edge of the dock (fig 8). Lower the back edge of the computer down onto the docking connector. Press down on the computer making sure the computer case is flat in the dock. Depress the latch to secure the computer. Lock the latch if necessary (fig 9).



fig 9

ReLocating Computer Carrying Strap

The CF19 computer is supplied, from Panasonic, with a carrying strap attached to the back edge of the computer case.

The computer can be installed into the dock with the strap attached to the back or front edge, but the strap will need to be unhooked when installed on the front of the computer, allowing each end of the strap to hang down over the sides of the dock.

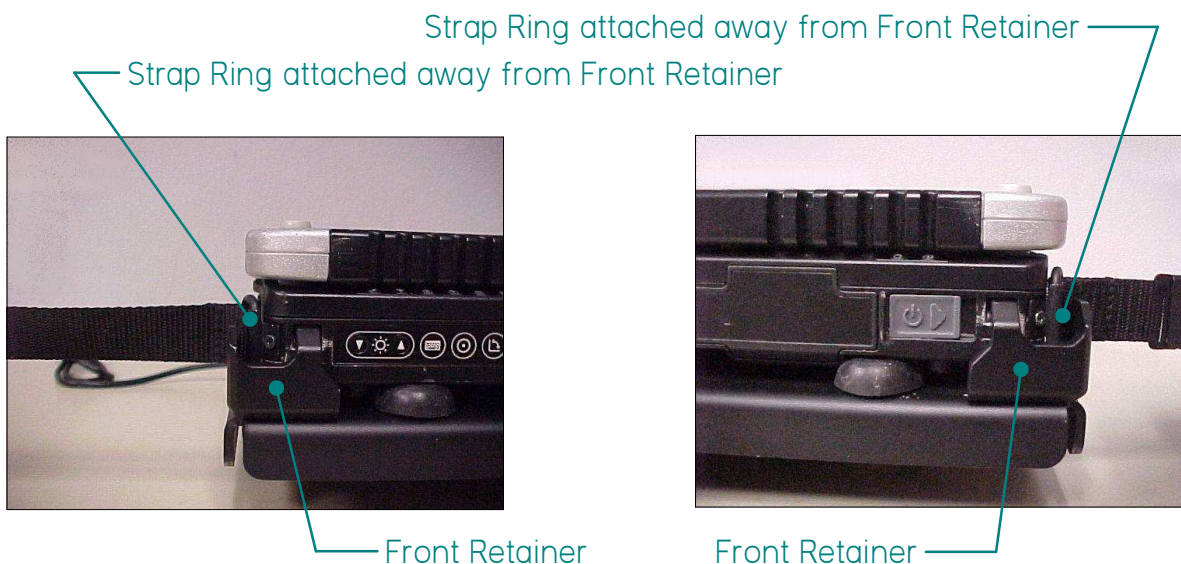
If the strap is not unhooked it will interfere with the docks' latching mechanism.

Important:

If the strap is relocated to the front or side edges, position the strap ends as shown .

The rings on the ends of the straps must be positioned away from the front retainers.

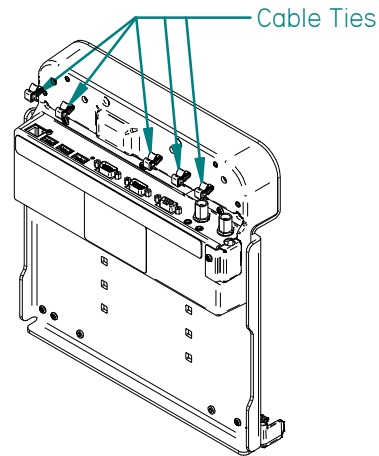
If the rings are incorrectly attached and touch the front retainers, the computer will not dock properly.



Strap attached to back of computer will lay over the top of the dock.

Cable Ties

Cables are attached to ports on the back of the dock. Cable ties and cable tie holders are provided to secure the cables to the dock. Press the cable tie holder into the mounting holes on the dock. Insert the cable tie through the tie holder and tighten the cable tie around the cables as needed.



DOCKING INDICATOR LED

With computer installed in the dock, the Docking Indicator LED, located on the right side of the dock, can be used as a troubleshooting tool.

GREEN: All ports are ready to use.

ORANGE: USB port and LAN port do not function, external power is not connected.

RED: PC is not supported or connection is not made.

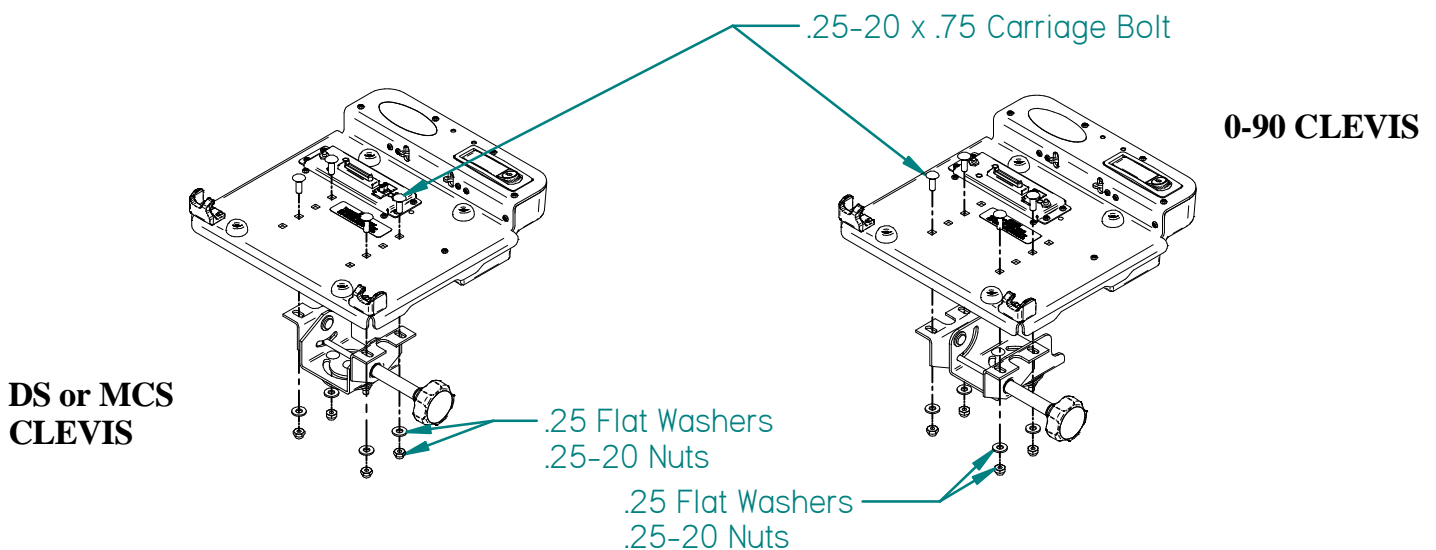
RED (BLINKING): Error has occurred in the firmware. Stop using at once and contact Panasonic Technical Support.

NOT LIT: PC not installed or PC is OFF, Standby or Hibernation.

Vehicle Mounted Docks

CF19 vehicle docks and cradle are designed to be used with Gamber-Johnsons' motion attachments, poles and vehicle bases.

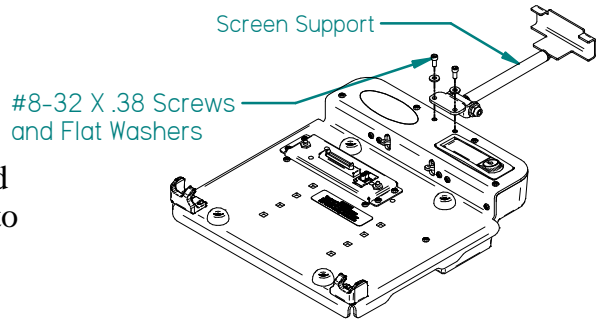
See below for mounting dock to DS, MCS or 0-90 Clevis with (4) .25-20 x .75 long carriage bolts.



CF19 Accessories

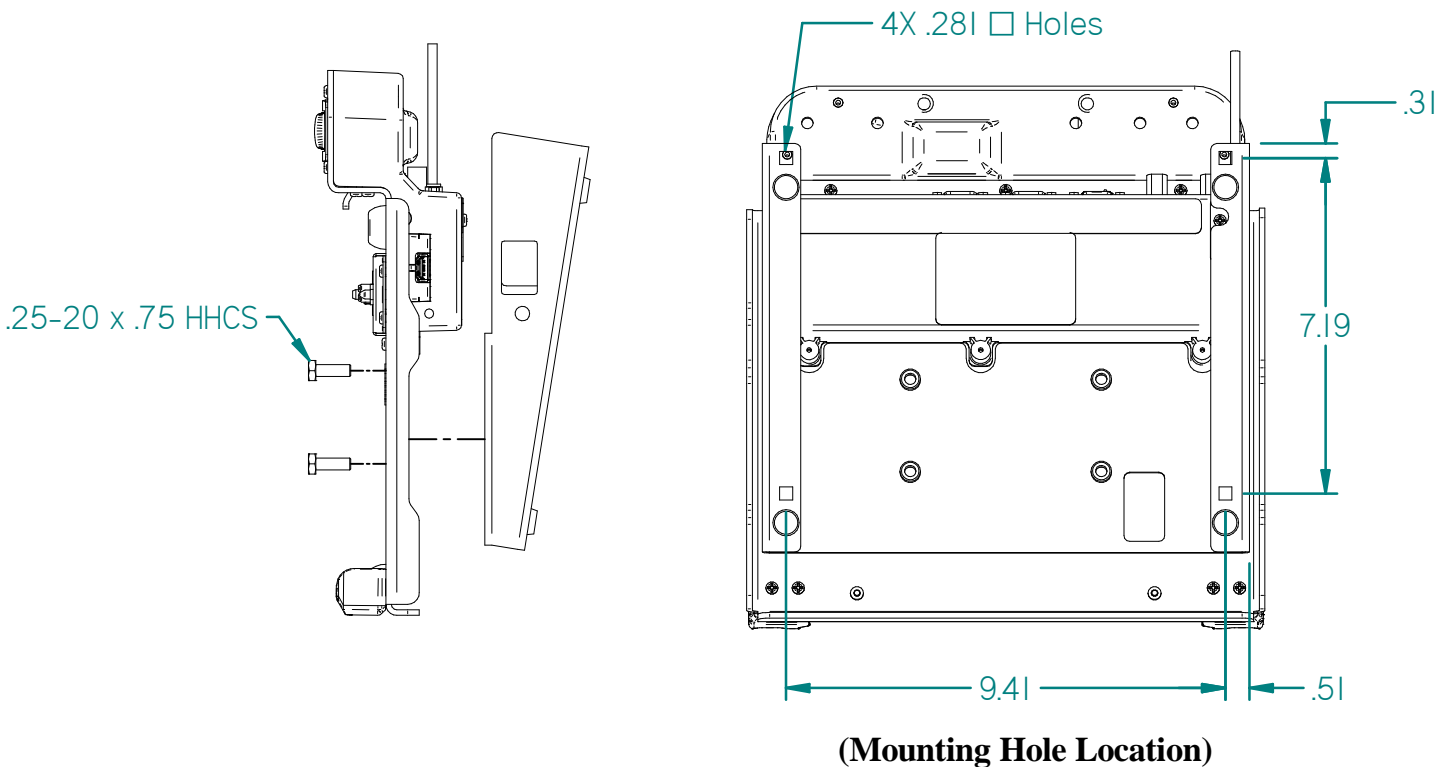
7160-0049: CF19 Screen Support

Use two #8-32 x .38 long socket head screws and two #8 flat washers to attach the screen support to the back side of the CF19 Dock as shown.



7160-0073: Work Table Wedge

The CF19 work table wedge has rubber pads to provide a mobile slip free mounting surface. Four .281 square holes on the bottom surface allow mounting the work table wedge permanently to a surface if required. See drawing for mounting hole location.



7160-0215: LED Assembly

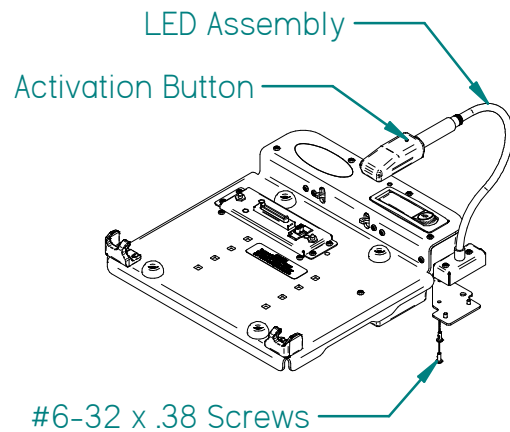
Position the LED assembly over two holes in the back cover, and attach using the #6-32unc x .38 screws that were provided with the LED assembly.

The LED is powered using the red and black wires on the back of the light base. The LED Assembly is designed to operate on 12volts DC.

In a negative ground vehicle:

Connect the RED wire to the positive pole of the vehicle battery or power distribution box. It is recommended that a user-supplied fuse holder and 1 amp fuse be installed on red the wire. Connect the Black wire to a suitable chassis GROUND or the NEGATIVE pole of the battery.

Turn on the LED by pressing the Activation Button on the head of the LED Assembly.



The LED has three light options: White, Red and White/Red. Press the Activation Button to toggle through the options.

Hold the Activation Button down for approximately one second to turn the LED off.

Free Manuals Download Website

<http://myh66.com>

<http://usermanuals.us>

<http://www.somanuals.com>

<http://www.4manuals.cc>

<http://www.manual-lib.com>

<http://www.404manual.com>

<http://www.luxmanual.com>

<http://aubethermostatmanual.com>

Golf course search by state

<http://golfingnear.com>

Email search by domain

<http://emailbydomain.com>

Auto manuals search

<http://auto.somanuals.com>

TV manuals search

<http://tv.somanuals.com>