

**F<sup>2</sup>MC-8FX Family**  
**MCU BOARD for MB95FV100-103**  
**MB2146-303**  
**OPERATION MANUAL**

## PREFACE

Thank you for purchasing the MCU board for F<sup>2</sup>MC\*-8FX family MB95FV100-103 (model number: MB2146-303).

The MB2146-303 is a development support tool for developing and evaluating applied products based on the F<sup>2</sup>MC-8FX family of microcontrollers manufactured by Fujitsu.

This manual is intended for engineers who use the MB2146-303 (referred to below as the MCU board) to develop applied products based on Fujitsu's F<sup>2</sup>MC-8FX family microcontrollers. The manual explains how to handle the MCU board and its functions as well as the setting procedures. Be sure to read this manual before using the MCU board.

\* : F<sup>2</sup>MC is the abbreviation used for FUJITSU Flexible Microcontroller.

### ■ Using the product safely

This manual contains important information required for using the MB2146-303 safely. Be sure to read through the manual before using the product and follow the instructions contained therein to use it correctly.

In particular, carefully read “Caution of the products described in this document” at the beginning of this manual to understand the requirements for safe use of the product before using it.

After reading the manual, keep it handy for future reference.

### ■ Warranty and liability disclaimers

The specifications of the product are subject to change without notice.

In no event shall Fujitsu be liable for any loss or damages whatsoever directly or indirectly arising out of the use of the product.

### ■ Product operating environment

Use the product at an operating temperature between 5 °C and 35 °C and at an operating humidity between 20% to 80%. Avoid using it in a hot or humid environment and prevent condensation.

The product is a frameless PC board unit with all electronic components exposed. Therefore, neither put anything on the product nor touch or let an electrically charged material contact a metal part of it. Once the product has been powered, try to keep those objects away from it which can short-circuit it or easily catch fire and burn. Use the product as horizontal as possible and avoid operating it at a place exposed to strong vibration, dust, or explosive gas.

Note that using the product not in the above operating environment may unexpectedly cause personal injury to the user (or another person if present near the product) or physical damage to properties around the product.

You should also keep the packaging materials used for shipping the product. They work well as they are when you transport the product again, for example, if it becomes out of order and needs to be repaired.

### ■ Related manuals

Refer to the following manuals as well:

- Hardware Manual of the MCU used
- Data Sheet of the MCU used
- “MB2146-09 BGM Adapter Instruction Manual”
- Related “Header Board Instruction Manuals”
- “SOFTUNE Workbench Operation Manual”
- “SOFTUNE Workbench USER’S Manual”

■ **Caution of the products described in this document**

The following precautions apply to the product described in this manual.



Indicates a potentially hazardous situation which, if not avoided appropriately, may result in minor or moderate injury and/or damage to the product or the equipment to which the product is connected, to software resources such as data, or to other properties.

<b>Cuts, Damage</b>	Before moving the product, be sure to turn off all the power supplies and unplug the cables. Watch your steps when carrying the product. Do not use the product at an unstable location such as a place exposed to strong vibration or a sloping surface. Doing so may let the product fall, resulting in an injury or fault.
<b>Cuts</b>	The product has some sharp-pointed or edged parts inevitably exposed, such as jumper plugs. Use meticulous care in handling the product not to get injured with such pointed parts.
<b>Damage</b>	Neither put anything on or apply shock to the product. Once the product has been powered, do not carry it. Doing either may cause a fault due to a load or shock.
<b>Damage</b>	Since the product contains many electronic components, keep it away from direct sunlight, high temperature, and high humidity to prevent condensation. Do not use or store the product where it is exposed to much dust or a strong magnetic or electric field for an extended period of time. An adverse operating or storage environment can cause a fault.
<b>Damage</b>	Use the product within the ranges of its general specifications. Operating it outside the range of any general specification may cause a fault.
<b>Damage</b>	To prevent electrostatic breakdown, do not let your finger or an object touch any metal part of the connector. Before handling the product, touch a metal object (such as a door knob) to discharge static electricity from your body.
<b>Damage</b>	When turning the power on or off, follow the relevant procedure described in this document. Before turning the power on, in particular, be sure to finish making all the required connections. To set up and use the product, follow the instructions given in this document. Using the product incorrectly or inappropriately may cause a fault.
<b>Damage</b>	Before plugging or unplugging any cable for this product, be sure to turn the power supply off. When unplugging the cable, remove it while holding the connector without pulling the cable itself. Pulling the cable itself or bending it may expose or disconnect the cable core, resulting in a fault.
<b>Damage</b>	When stored, the product should be kept in its packaging box as it has no housing. Re-transporting the product may damage it to cause a fault. Keep the packaging materials used for shipment of the product and use them when re-transporting it.

- The contents of this document are subject to change without notice.  
Customers are advised to consult with FUJITSU sales representatives before ordering.
- The information, such as descriptions of function and application circuit examples, in this document are presented solely for the purpose of reference to show examples of operations and uses of FUJITSU semiconductor device; FUJITSU does not warrant proper operation of the device with respect to use based on such information. When you develop equipment incorporating the device based on such information, you must assume any responsibility arising out of such use of the information. FUJITSU assumes no liability for any damages whatsoever arising out of the use of the information.
- Any information in this document, including descriptions of function and schematic diagrams, shall not be construed as license of the use or exercise of any intellectual property right, such as patent right or copyright, or any other right of FUJITSU or any third party or does FUJITSU warrant non-infringement of any third-party's intellectual property right or other right by using such information. FUJITSU assumes no liability for any infringement of the intellectual property rights or other rights of third parties which would result from the use of information contained herein.
- The products described in this document are designed, developed and manufactured as contemplated for general use, including without limitation, ordinary industrial use, general office use, personal use, and household use, but are not designed, developed and manufactured as contemplated (1) for use accompanying fatal risks or dangers that, unless extremely high safety is secured, could have a serious effect to the public, and could lead directly to death, personal injury, severe physical damage or other loss (i.e., nuclear reaction control in nuclear facility, aircraft flight control, air traffic control, mass transport control, medical life support system, missile launch control in weapon system), or (2) for use requiring extremely high reliability (i.e., submersible repeater and artificial satellite).  
Please note that FUJITSU will not be liable against you and/or any third party for any claims or damages arising in connection with above-mentioned uses of the products.
- Any semiconductor devices have an inherent chance of failure. You must protect against injury, damage or loss from such failures by incorporating safety design measures into your facility and equipment such as redundancy, fire protection, and prevention of over-current levels and other abnormal operating conditions.
- If any products described in this document represent goods or technologies subject to certain restrictions on export under the Foreign Exchange and Foreign Trade Law of Japan, the prior authorization by Japanese government will be required for export of those products from Japan.

Copyright ©2004-2006 FUJITSU LIMITED All rights reserved

# 1. Product Outline

MB2146-303 is the MCU board (model number : MB2146-303) mounting an evaluation MCU in the F<sup>2</sup>MC-8FX Family of Fujitsu 8-bit microcontrollers. To build an F<sup>2</sup>MC-8FX evaluation environment, combine three products : the header board, MCU board, and BGM adapter (model number : MB2146-09) as shown in Figure 1.

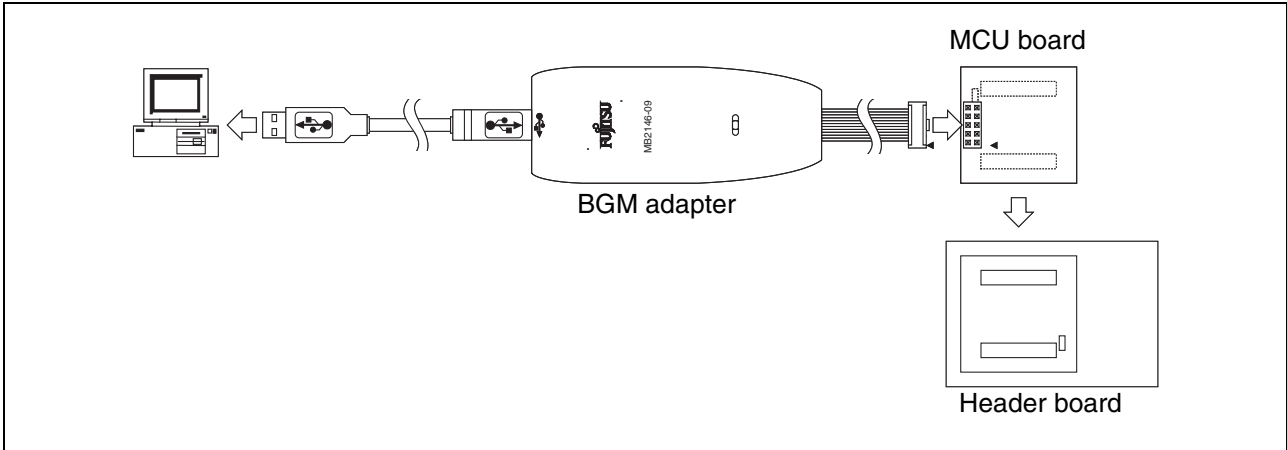


Figure 1 System configuration

## ■ Product configuration

Tables 1, and Table 2. list the product configuration in the MCU board package and options.

Table 1 Product configuration

Name	Part number	Description
F <sup>2</sup> MC-8FX MCU board *	MB2146-303	MCU board with built-in MB95FV100-103

\* : Neither the oscillator nor the capacitor is bundled with this product. Therefore, prepare separately.

Table 2 option (sold separately)

Name	Part number	Description
BGM adapter * <sup>1</sup>	MB2146-09	ICE unit for F <sup>2</sup> MC-8FX
Header board * <sup>2</sup>	MB2146-2xx	Connector/package conversion header board

\*1 : To use the BGM adapter, you need additional tools such as debugger software.

\*2 : The header board is an interface board to connect the emulator to your user system. Choose and purchase a type of header board which is applicable to the production MCU to be used.

## ■ Appearance and part name

The appearance of a MCU board and the name of each part are shown in Figure 2.

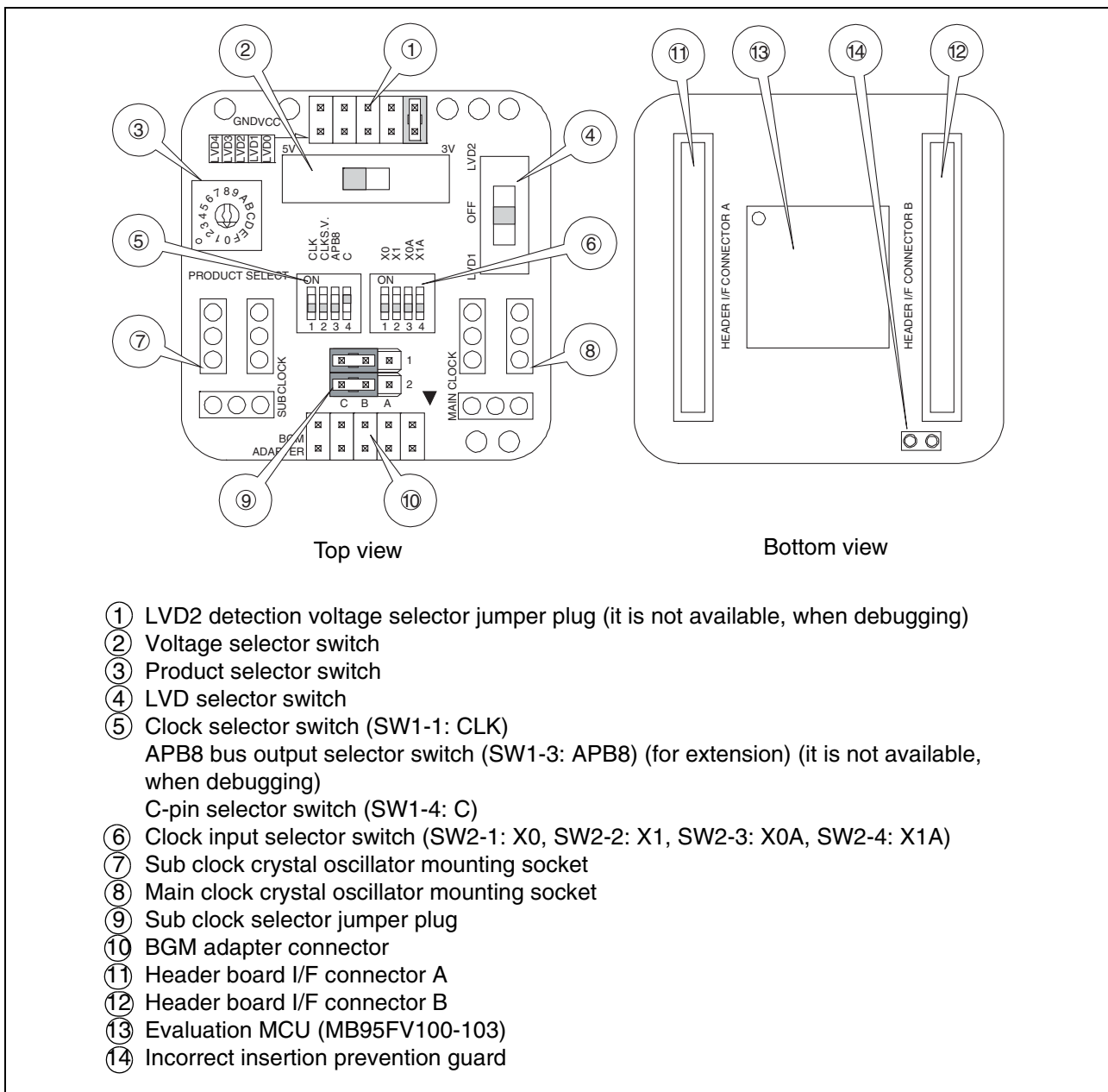


Figure 2 MCU board appearance figure

## 2. Checking the Delivered Product

Before using the MCU board, confirm that the following components are included in the box:

- MCU board : 1
- Operation manual (English version, this manual) : 1
- Operation manual (Japanese version) : 1

### 3. Procedure for connecting the user system

#### ■ Connecting the MCU board to the header board

Align the MCU board and the header board facing each other, then plug their mating connectors together. The connectors are provided with incorrect insertion prevention guards located diagonally. Position the two boards correctly without letting the incorrect insertion prevention guards interfere with each other and plug the connectors together completely (see “Figure 3”).

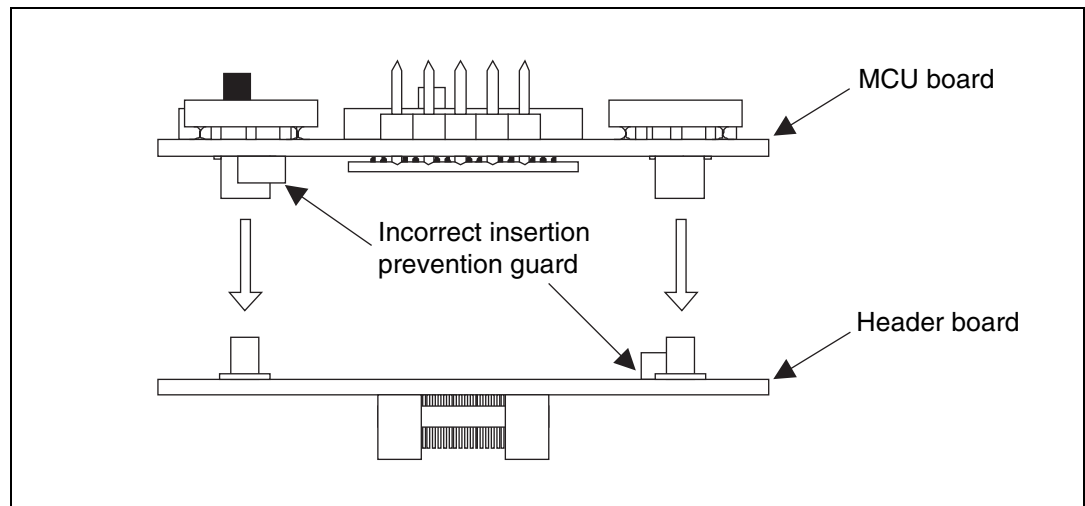


Figure 3 Connection of MCU board and header board

#### ■ Connecting the MCU board to the BGM adapter

Connect the BGM adapter to the MCU board. Plug the BGM adapter's interface connector deep into the BGM adapter connector (CN3) on the MCU board with their index marks (▼) aligned (see “Figure 4”).

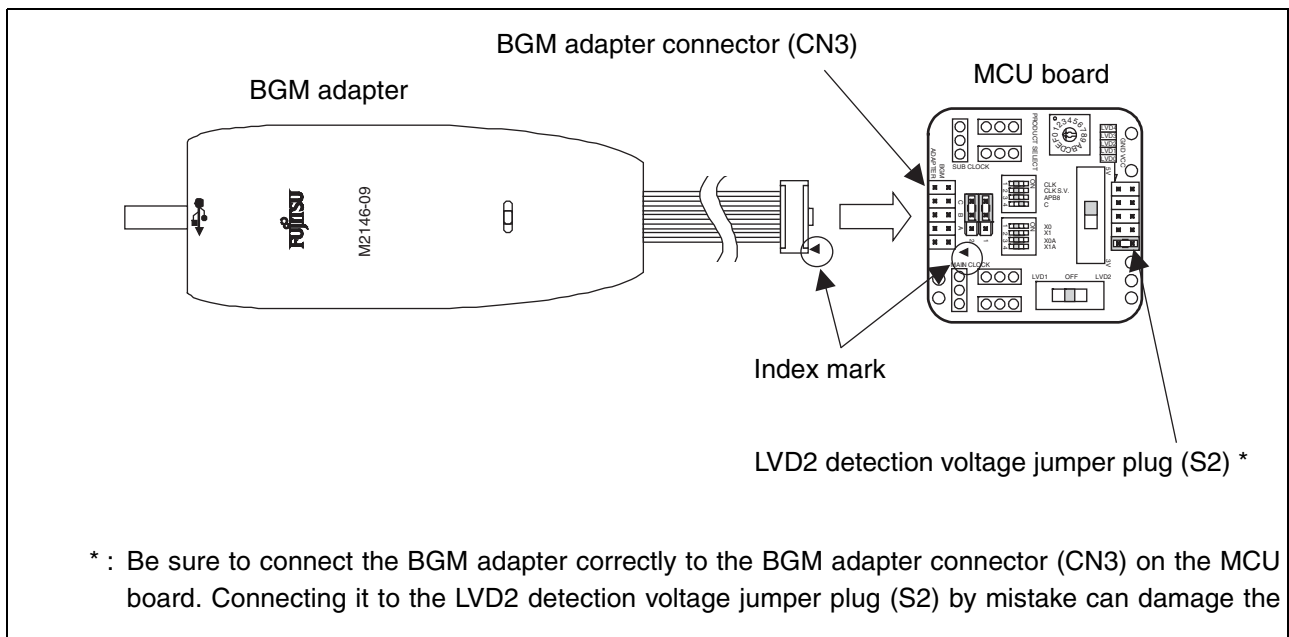


Figure 4 Connection of MCU board and BGM adapter

## ■ Note on connection

- Be sure to connect the BGM adapter connector (CN3) correctly. The BGM adapter connector and the LVD2 detection voltage selector jumper plug have the same shape (see “Figure 5”). The MCU board may break if the BGM adapter connector is accidentally plugged into the LVD2 detection voltage selector jumper plug (S2) on the other side of the board.

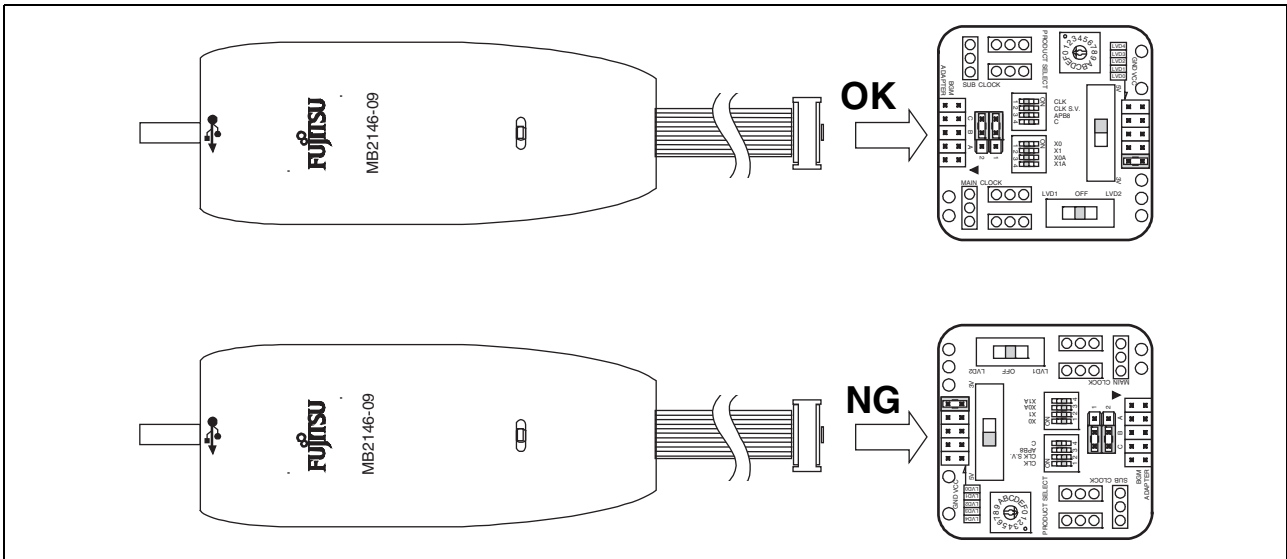


Figure 5 Connection direction of BGM adapter

- To supply a main clock signal from the user system, make an oscillation circuit on the user system such that it supplies the clock signal to the MCU board via a buffer circuit.

## ■ Disconnection

1. Remove the BGM adapter from the MCU board. Holding the MCU board firmly, pull the BGM adapter vertically from the BGM adapter connector on the MCU board.
2. Remove the header board from the MCU board. Remove it with uniform force without applying force to only one point.



## 4. How to setup

### ■ How to the switch and jumper plug on a MCU board setup

Please set the following switches referring to “Figure 6 The switch and jumper plug on a MCU board”.

1. Set the clock selector switch (SW1-1) to ON or OFF to disable or enable the sub clock, respectively.
2. Set the C-pin selector switch (SW1-4) to ON.
3. Set the clock input selector switch (SW2).  
Check that value with “5. Setting of the Switch and Jumper Plug ■ Setting of clock input selector switch (SW2)”.
4. Set the product selector switch (SW3) to the value corresponding to the number of pins on the production MCU.  
Check that value with “5. Setting of the Switch and Jumper Plug ■ Setting of the product selector switch (SW3)”.
5. Set the LVD selector switch (SW4) to LVD1 or OFF to enable or disable the sub clock, respectively.
6. Set the power supply selector switch (SW5) to 5 V.
7. Set the sub clock selector jumper plug (S1).  
Check that value with “5. Setting of the Switch and Jumper Plug ■ Settings of the sub clock selector jumper plug (S1)”.

Please use with following settings, so APB8 bus and LVD2 functions are not available.

- Set (SW1-2) to OFF (For reservation bit).
- Set the APB8 bus output selector switch (SW1-3) to OFF.
- Set the LVD2 detection voltage jumper plug (S2) to LVD0.

Check that value with “5. Setting of the Switch and Jumper Plug ■ Settings of the LVD2 detection voltage jumper plug (S2)”.

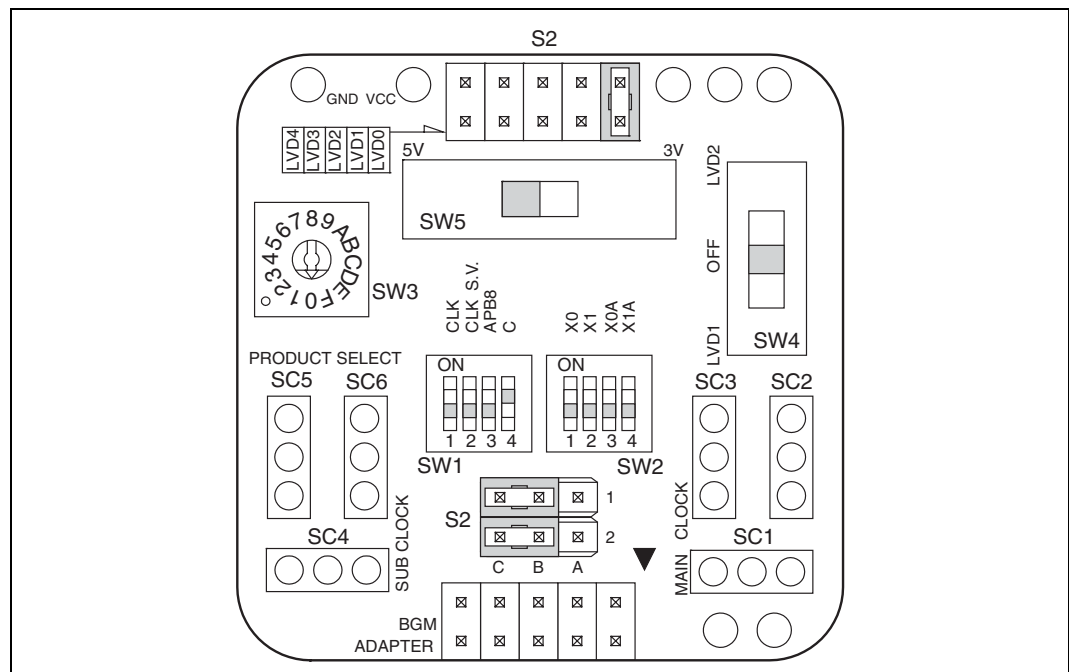


Figure 6 The switch and jumper plug on a MCU board

## ■ How to oscillator mounting on a MCU board

Mount the crystal or ceramic oscillator into the crystal oscillator mounting sockets (for the main clock and sub clock) on the MCU board.

The MCU board has one crystal oscillator mounting socket for the main clock and the other for the sub clock. To distinguish them from each other, the board has the “MAIN CLOCK” and “SUB CLOCK” labels printed near the main clock socket and sub clock socket, respectively. Mount the crystal or ceramic oscillator along with a capacitor on the MCU board (see “Figure 7”).

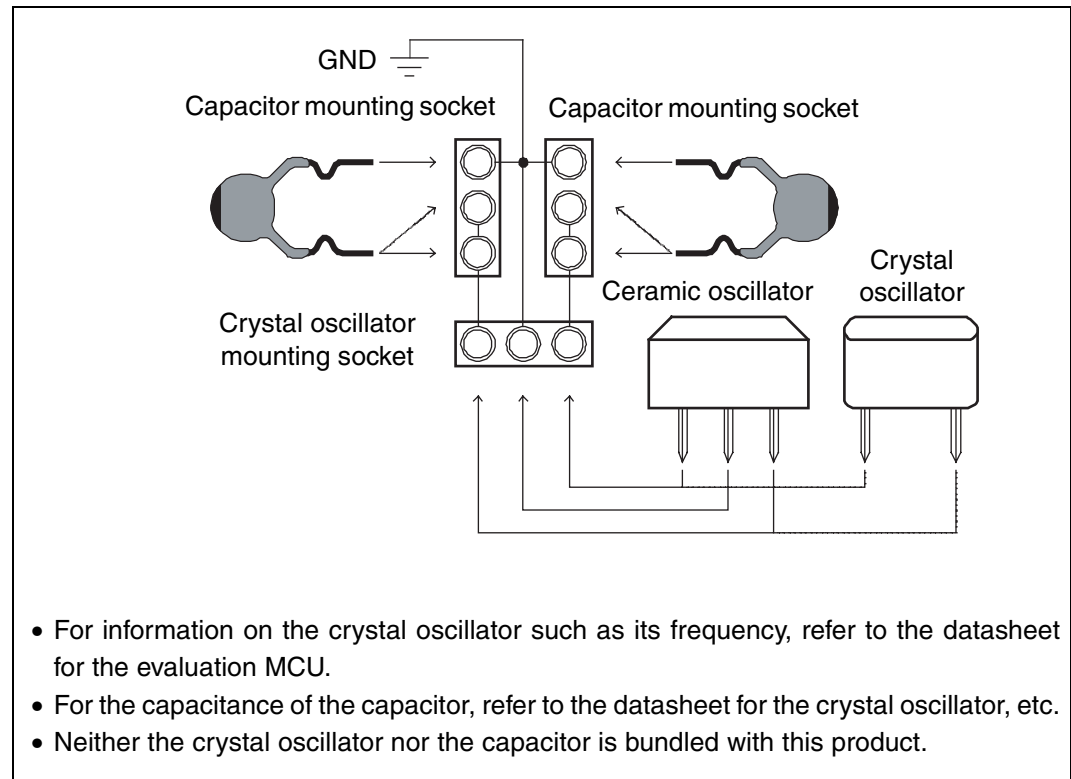


Figure 7 The example of mount of crystal or ceramic oscillator

## 5. Setting of the Switch and Jumper Plug

### ■ Position of the switch and jumper plug

The positions of the switch and jumper plug on a MCU board is shown in Figure 8, and specifications are shown in Table 3.

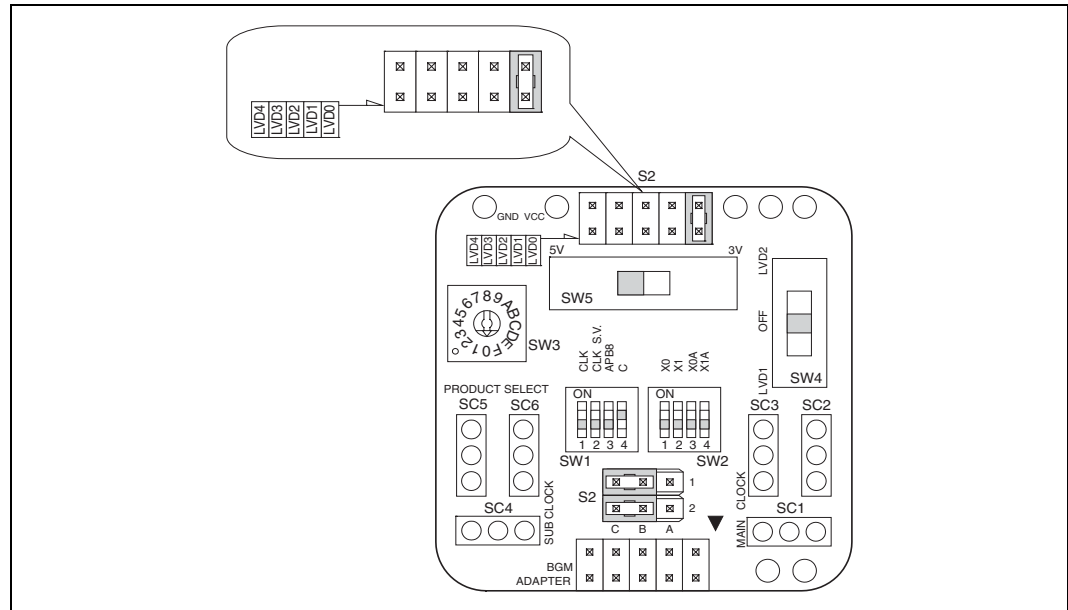


Figure 8 Positions of switches and jumper plugs on MCU board

Table 3 Switch and Jumper plug settings

Item	SW/S name	Setting	Initial setting
Clock selector switch	(SW1-1)	ON : Disable the sub clock OFF : Enable the sub clock	OFF
-	(SW1-2)	For reserved bit, Please set to OFF at all times.	OFF
APB8 bus output selector switch	(SW1-3)	ON : Enable the APB8 bus OFF : Disable the APB8 bus	OFF
C-pin selector switch	(SW1-4)	ON : Connect the C pin and the on-board 0.1μF capacitor OFF : Disconnect the C pin and the on-board 0.1μF capacitor	ON
Clock input selector switch	(SW2)	Select the main clock and sub clock source on the MCU board or on the user system. (See “■ Setting of clock input selector switch (SW2)”.)	OFF
Product selector switch	(SW3)	Set this switch depending on the number of pins on the target MCU to be used. (See “■ Setting of the product selector switch (SW3)”.)	0
LVD selector switch	(SW4)	Select the low-voltage detection function. LVD1 : LVD1 enabled OFF : LVD function disabled LVD2 : LVD2 enabled	OFF
Voltage selector switch	(SW5)	Select 5V or 3V supply on the operating voltage of the evaluation MCU. 5V : 5V supply 3V : 3V supply	5V
Sub clock selector jumper plug	(S1)	Select whether to use the sub clock. See the relevant table. (See “■ Settings of the sub clock selector jumper plug (S1)”.)	Jumper of B-C
LVD2 detection voltage setting jumper plug	(S2)	Set the LVD2 detection voltage. (See “■ Settings of the LVD2 detection voltage jumper plug (S2)”.)	LVD0

■ **Setting of clock input selector switch (SW2)**

Figure 9 shows the clock input selector switch. Table 4 lists switch positions and main clock supply clock source. Table 5 lists switch positions and sub clock.

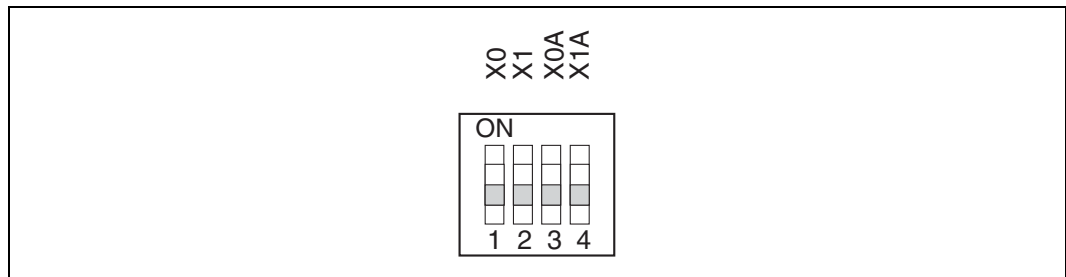


Figure 9 Clock input selector switch (SW2)

Table 4 Setting of main clock supply source

Main clock supply source	Settings of the clock input selector switch	
	SW2-1	SW2-2
Clock area	OFF	OFF
User system	ON	ON

Table 5 Setting of sub clock

Sub clock			Settings of the clock input selector switch	
Used	Supply source	M1 correspondence pin	SW2-3	SW2-4
enable	Clock area	X0A : R3 pin X1A : V1 pin	OFF	OFF
disable		-	ON	ON

■ **Setting of the product selector switch (SW3)**

Table 6 lists the setting of product selector switch and product type.

Table 6 Setting of the product selector switch

Switch setting	Product type
0	100-pin package type
1	80-pin package type
2	64-pin package type
3	48-pin package type
4	32-pin package type
5	28-pin package type
6	20-pin package type
7	Setting Prohibited
8	100-pin package , LCD function integrated type
9	80-pin package , LCD function integrated type
A	64-pin package , LCD function integrated type
B	48-pin package , LCD function integrated type
C	Setting Prohibited
D	
E	
F	

■ **Setting of the sub clock selector jumper plug (S1)**

Table 7 lists jumper plug positions and sub clock selection. Figure 10 shows the examples of sub clock selection.

Table 7 Setting of sub clock selector

Sub clock			Settings of the sub clock selector jumper plug (S1)		Example of settings
Used	Supply source *	M1 correspondence pin	X0A	X1A	
enable	Clock area	X0A : R3 pin X1A : V1 pin	Jumper of 1:B - 1:C	Jumper of 2:B - 2:C	Example 1
disable		—	Jumper of 1:A - 1:B	Jumper of 2:A - 2:B	Example 2

\* : Oscillation is not guaranteed when the crystal oscillator is mounted on the user system.

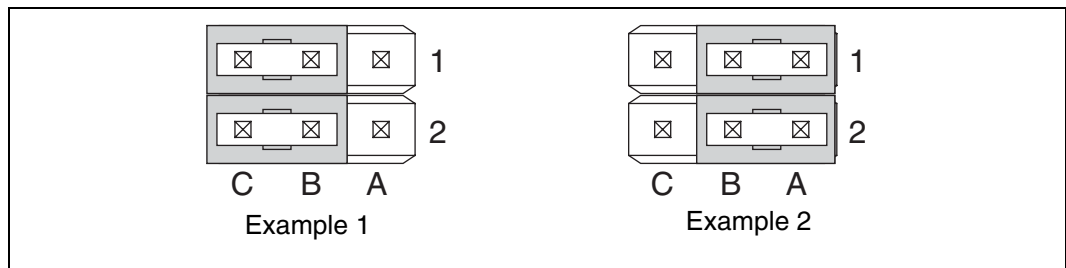


Figure 10 The example of sub clock selection

■ **Settings of the LVD2 detection voltage jumper plug (S2)**

Figure 11 shows the settings of the LVD2 detection voltage jumper plug (S2). Table 8 lists jumper plug positions and detection voltages.

(This setting is not available, when debugging. Please use with LVD0 setting.)

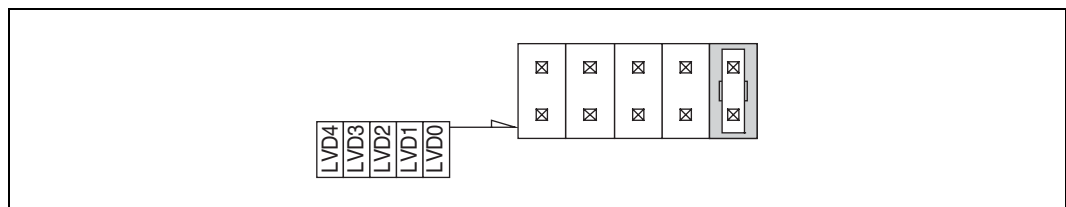


Figure 11 The LVD2 detection voltage jumper plug (S2)

Table 8 Setting of the LVD2 detection voltage jumper plug

Jumper plug points	LVD2 setting value
LVD0	+ 4.17 V
LVD1	+ 3.74 V
LVD2	+ 3.3 V
LVD3	+ 2.9 V
LVD4	+ 2.6 V

## 6. Product Specifications

### ■ General specifications

The general specifications of a MCU board is shown in Table 9.

Table 9 General specifications

Item	Specification	
Name	The MCU board for F <sup>2</sup> MC-8FX MB95FV100-103	
Part number	MB2146-303	
Power supply	Evaluation MCU (MB95FV100-103)	+ 5.0V (UVcc)
	MCU board power supply	+ 5.0V (It supplies from a user system)
Frequency of operation	Max. 16MHz	
Operating temperature	5 °C to 35 °C	
Operating humidity	20 % to 80 % (No condensation is allowed.)	
Dimensions	40.0mm (W) × 40.0mm (D) × 14.6mm (H)	
Weight	13g	

### ■ Functional explanation

The functional specifications of a MCU board is shown in Table 10, and the functional block diagram is shown in Figure 12.

Table 10 MCU board functional specifications

Item	Description
MCU board function	Serves as the adapter used in combination with the BGM adapter and header board to provide connection between the BGM adapter and evaluation MCU and between the evaluation MCU and user system.
Switches	Serve for clock selection, APB8 bus output selection, C-pin setting, clock selection, product selection, low-voltage detection setting, and voltage selection.
Jumper plugs	The jumper plugs on the MCU board can be used to make various settings for low-voltage detection and clock selection.
Clock mounting socket	The crystal oscillator mounted socket on the MCU board is used to supply clock signals to the main clock (X0/X1) and sub clock (X0A/X1A) pins on the evaluation MCU from the MCU board.

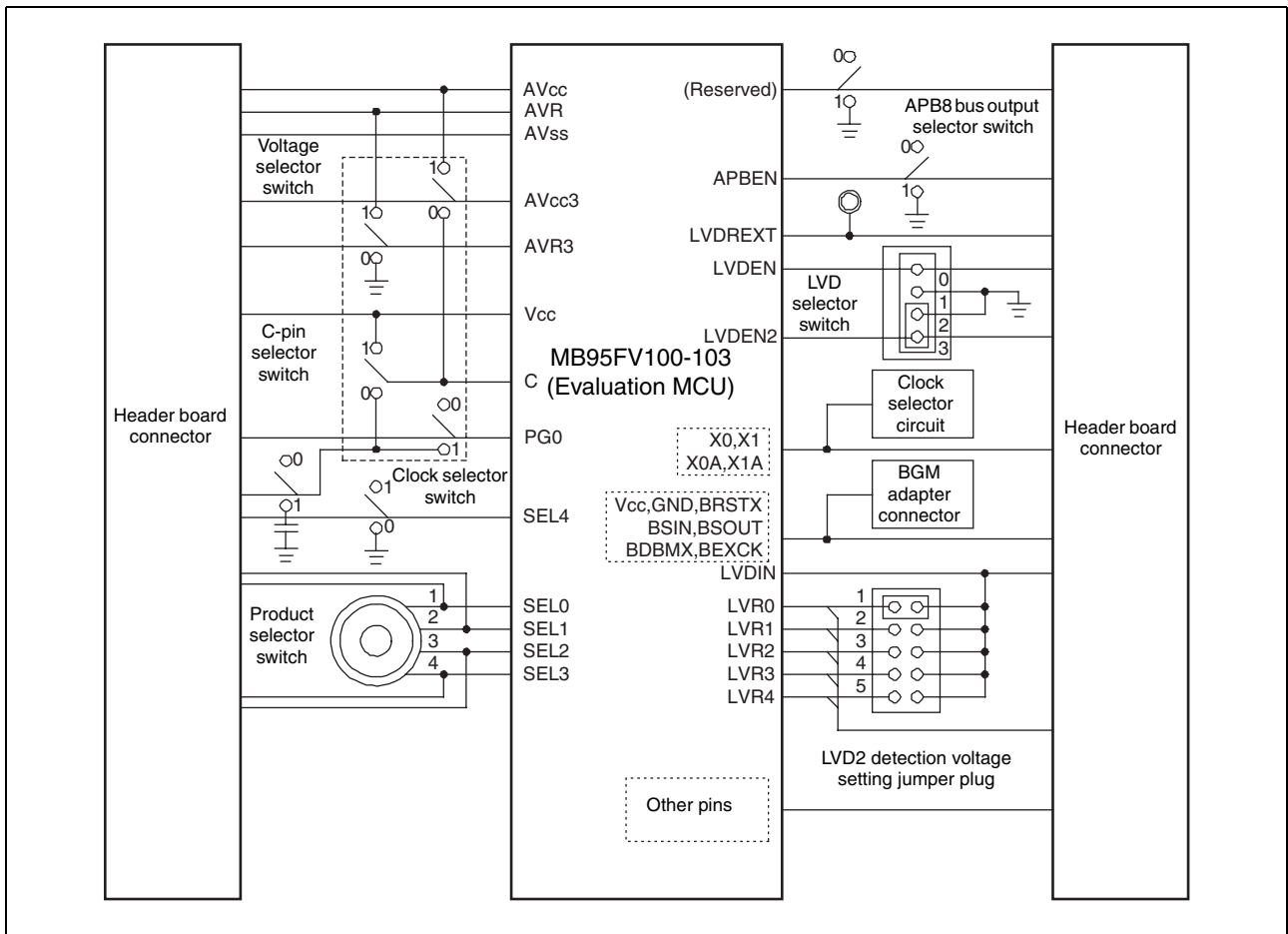


Figure 12 MCU board functional block diagram

## ■ Clock settings

Figure 13 shows the clock-related circuit diagram.

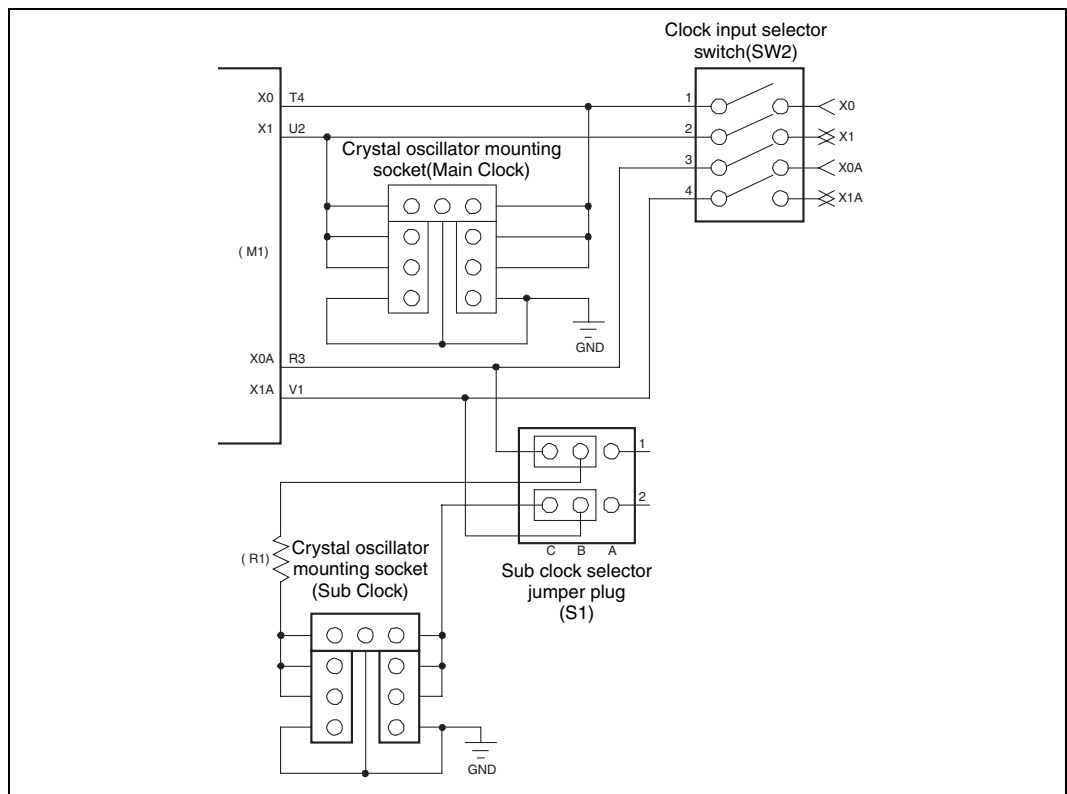


Figure 13 Clock selector circuit

## ■ Connector socket specifications

The specifications of a connector and a socket is shown in Table 11.

Table 11 Connector and socket specifications

Item	Description
Header board interface connector	Connects the MCU board to a header board.
BGM adapter connector	Connects the MCU board to the BGM adapter.
Main clock mount socket	Mounts the main clock crystal oscillator.
Sub clock mount socket	Mounts the sub clock crystal oscillator.



## ■ Pin assignment of header board I/F connector

Tables 12 and 13 lists the pin assignments of the header board interface connector on the MCU board.

Table 12 Pin assignment of header board I/F connector A

Connector Pin Number	Evaluation MCU Pin Number	Signal line name	Connector Pin Number	Evaluation MCU Pin Number	Signal line name	Connector Pin Number	Evaluation MCU Pin Number	Signal line name
1	A9	PC4	41	E2	LVR3	81	P3	BSOUT
2	B9	PC1	42	E1	LVSS *	82	P4	BDBMX
3	C9	PC2	43	F4	LVDREXT	83	R1	P83
4	D9	PC3	44	F3	LVDBG	84	R2	BRSTX
5	A8	PC0	45	F2	LVDEX	85	R3	X0A
6	B8	PB4	46	F1	P22A	86	R4	RSTX
7	C8	PB5	47	–	GND *	87	T1	ROMS1
8	D8	PB6	48	–	GND *	88	T2	BSIN
9	A7	PB7	49	G4	P20A	89	T3	V <sub>ss</sub> *
10	B7	PB2	50	G3	NC1	90	T4	X0
11	C7	PB0	51	G2	P21A	91	U1	BEXCK
12	D7	PB1	52	G1	P23A	92	U2	X1
13	A6	PB3	53	H4	P24A	93	U3	MOD
14	B6	PA2	54	H3	P25A	94	U4	PF2
15	C6	P95	55	H2	P26A	95	V1	X1A
16	D6	PA0	56	H1	P27A	96	V2	V <sub>cc53</sub> *
17	A5	PA3	57	J4	P24B	97	–	GND *
18	B5	P94	58	J3	P50	98	–	GND *
19	C5	P90	59	J2	P23B	99	V3	PINT0
20	D5	P91	60	J1	P51	100	V4	PSEL_EXT
21	A4	PA1	61	K1	P52	101	R5	PF1
22	A3	P93	62	K2	P55	102	T5	PF0
23	–	GND *	63	K3	P54	103	U5	NC2
24	–	GND *	64	K4	P53	104	V5	PENABLE
25	A2	(Reserved)	65	L1	P70	105	R6	APBENX
26	A1	V <sub>ss</sub> *	66	L2	P74	106	T6	PINT1
27	B4	P92	67	L3	P73	107	U6	PCLK
28	B3	TCLK	68	L4	P72	108	V6	PADDR0
29	B2	LVCC *	69	M1	P71	109	R7	PACTIVE
30	B1	LVDIN	70	M2	P76	110	T7	PLOCK
31	C4	C <sub>pin</sub>	71	M3	P80	111	U7	PWRITE
32	C3	V <sub>cc51</sub> *	72	M4	P77	112	V7	PADDR1
33	C2	LVDEX2	73	–	GND *	113	R8	PADDR2
34	C1	LVR4	74	–	GND *	114	T8	PADDR3
35	D4	TESTO	75	N1	P75	115	U8	PADDR4
36	D3	LVDOUT	76	N2	P82	116	V8	PADDR5
37	D2	LVR2	77	N3	PG0	117	R9	PADDR7
38	D1	BGOENX	78	N4	P84	118	T9	PRDATA0
39	E4	LVR1	79	P1	P81	119	U9	PADDR6
40	E3	LVR0	80	P2	ROMS0	120	V9	PRDATA1

Table 13 Pin assignment of header board I/F connector B

Connector Pin Number	Evaluation MCU Pin Number	Signal line name	Connector Pin Number	Evaluation MCU Pin Number	Signal line name	Connector Pin Number	Evaluation MCU Pin Number	Signal line name
1	A10	PC5	41	E17	NC4	81	P16	P34
2	B10	PD0	42	E18	SEL0	82	P15	P35
3	C10	PC6	43	F15	SEL3	83	R18	P44
4	D10	PC7	44	F16	SEL4	84	R17	P36
5	A11	PD1	45	F17	SEL1	85	R16	P31
6	B11	PD2	46	F18	P04C	86	R15	AVcc3
7	C11	PD3	47	–	GND *	87	T18	P40
8	D11	PD4	48	–	GND *	88	T17	P32
9	A12	PD5	49	G15	P06C	89	T16	AVss
10	B12	PD7	50	G16	P07C	90	T15	AVR
11	C12	P61	51	G17	P05C	91	U18	P33
12	D12	P60	52	G18	P00C	92	U17	P30
13	A13	PD6	53	H15	P01C	93	U16	AVR3
14	B13	P64	54	H16	P02C	94	U15	P15
15	C13	P66	55	H17	P03C	95	V18	AVcc
16	D13	P65	56	H18	P07A	96	V17	DA0
17	A14	P62	57	J15	P04A	97	–	GND *
18	B14	PE0A	58	J16	P05A	98	–	GND *
19	C14	PE3A	59	J17	P06A	99	V16	P14
20	D14	PE2A	60	J18	P03A	100	V15	P10
21	A15	P63	61	K18	P02A	101	R14	P16
22	A16	P67	62	K17	P07B	102	T14	DA1
23	–	GND *	63	K16	P01A	103	U14	P13
24	–	GND *	64	K15	P00A	104	V14	PWDATA7
25	A17	PE4A	65	L18	P06B	105	R13	P11
26	A18	Vcc54 *	66	L17	P05B	106	T13	P12
27	B15	PE1A	67	L16	P04B	107	U13	NC3
28	B16	PE5A	68	L15	P03B	108	V13	PWDATA3
29	B17	PE7A	69	M18	P02B	109	R12	PWDATA5
30	B18	PE3B	70	M17	P00B	110	T12	PWDATA6
31	C15	PE6A	71	M16	P46	111	U12	PWDATA4
32	C16	Vss *	72	M15	P47	112	V12	PRDATA7
33	C17	PE2B	73	–	GND *	113	R11	PWDATA0
34	C18	PE7B	74	–	GND *	114	T11	PWDATA1
35	D15	PE1B	75	N18	P01B	115	U11	PWDATA2
36	D16	PE0B	76	N17	P43	116	V11	PRDATA6
37	D17	PE6B	77	N16	P41	117	R10	PRDATA3
38	D18	SEL2	78	N15	P42	118	T10	PRDATA4
39	E15	PE5B	79	P18	P45	119	U10	PRDATA5
40	E16	PE4B	80	P17	P37	120	V10	PRDATA2

\* : About power supply pins (common to connectors A and B)

Connect the Vcc51, Vcc53 and Vcc54 pins to Vcc. Disconnect the LVCC pin from Vcc.

Connect the Vss pin to GND. Disconnect the LVSS pin from GND.

## ■ Header board specifications

Figure 14 shows recommended dimensions of the header board connected to the MCU board. Table 14 lists general specifications of the header board.

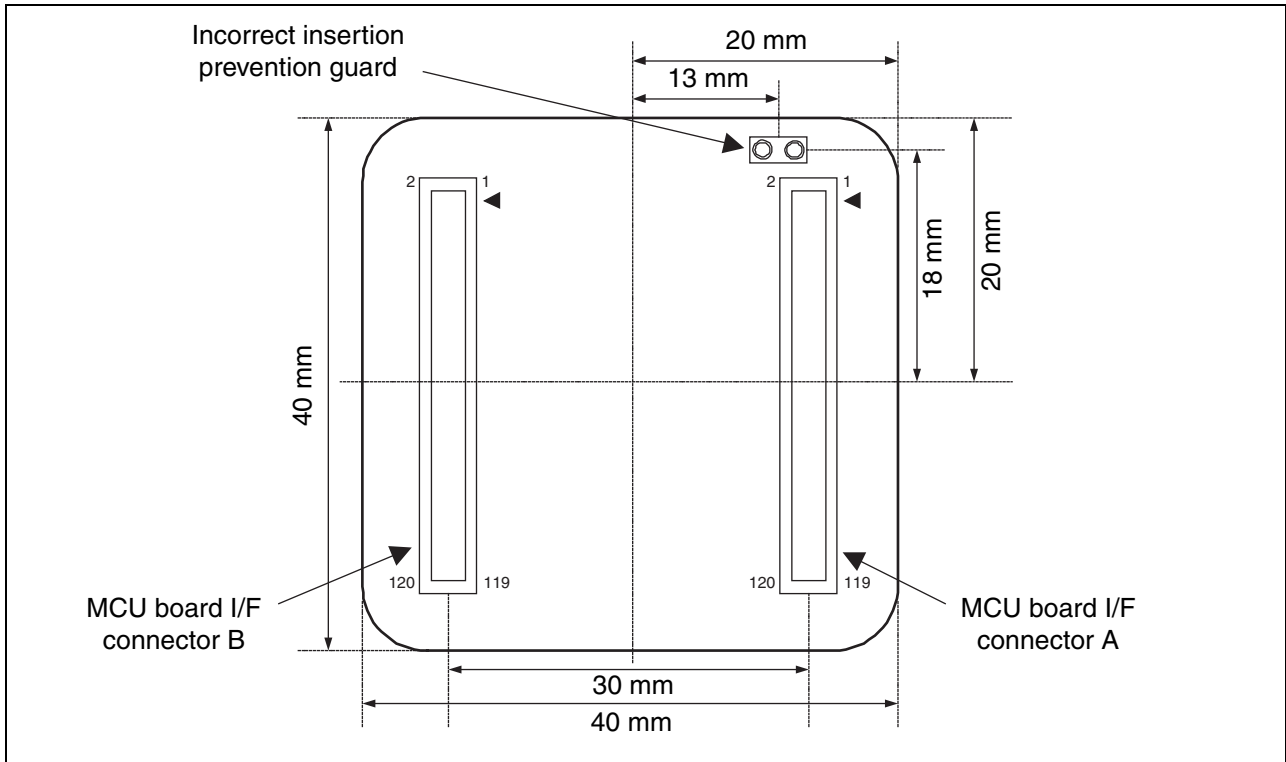


Figure 14 Recommended dimensions of the header board (Top view)

Table 14 general specifications of the header board.

Item	Description
MCU board interface connector	120 pin 0.5 mm pitch 2 piece connector (Straight) × 2 Model number: WR-120SB-VF-N1 (Japan Aviation Electronics Industry, Limited)
Incorrect prevention guard	2 pin SIP socket Model number: PCW-3-1-1PW (MAC EIGHT)
Spacing between the MCU and header boards when engaged	Approx. 5.0 mm

SS01-26006-2E

---

**FUJITSU SEMICONDUCTOR • SUPPORT SYSTEM**

F<sup>2</sup>MC-8FX Family  
MCU BOARD for MB95FV100-103  
MB2146-303  
OPERATION MANUAL

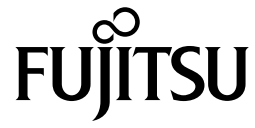
---

July 2006 the second edition

Published **FUJITSU LIMITED** Electronic Devices

Edited Business Promotion Dept.

---



## Free Manuals Download Website

<http://myh66.com>

<http://usermanuals.us>

<http://www.somanuals.com>

<http://www.4manuals.cc>

<http://www.manual-lib.com>

<http://www.404manual.com>

<http://www.luxmanual.com>

<http://aubethermostatmanual.com>

Golf course search by state

<http://golfingnear.com>

Email search by domain

<http://emailbydomain.com>

Auto manuals search

<http://auto.somanuals.com>

TV manuals search

<http://tv.somanuals.com>