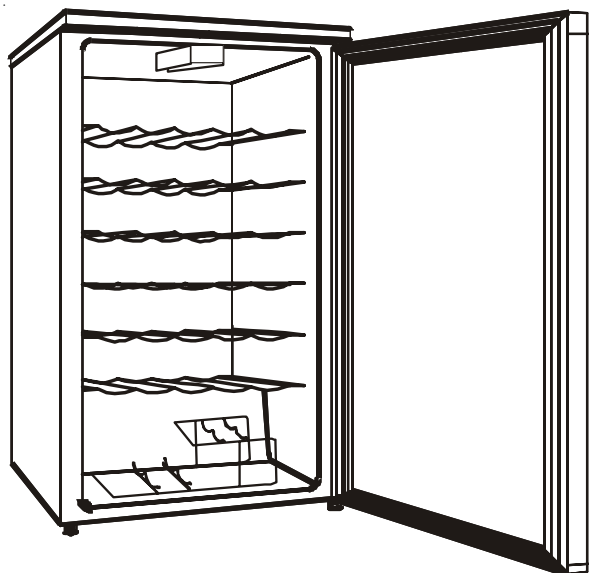


*Frigidaire*

---

*Use & Care Manual*

**Freestanding  
Wine Cooler**



Record Serial/Model Numbers ..... 2

Safety Instructions..... 2

First Steps ..... 3

Energy Saving Tips ..... 4

Setting  
the Temperature Control..... 4

Wine Cooler Features..... 4

Care and Cleaning..... 5

Warranty..... 6

Troubleshooting Guide..... 7 - 8

## SERIAL / MODEL NUMBERS

### READ AND SAVE THESE INSTRUCTIONS

This Owner's Guide provides specific operating instructions for your model. Use your Wine Cooler only as instructed in this guide. These instructions are not meant to cover every possible condition and situation that may occur. Common sense and caution must be practiced when installing, operating, and maintaining any appliance.

#### Record Your Model and Serial Numbers

Record the model and serial numbers in the space provided below. The serial plate is located on the upper left wall inside the Wine Cooler.

**Model Number:** \_\_\_\_\_

**Serial Number:** \_\_\_\_\_

**Purchase Date:** \_\_\_\_\_

## IMPORTANT SAFETY INSTRUCTIONS

### READ ALL INSTRUCTIONS BEFORE USING THIS WINE COOLER.

#### **⚠ WARNING** FOR YOUR SAFETY

Do not store or use gasoline, or other flammable vapors and liquids in the vicinity of this or any other appliance. Read product labels for flammability and other warnings.

#### **⚠ WARNING** CHILD SAFETY

- Destroy carton, plastic bags, and any exterior wrapping material immediately after the wine cooler is unpacked. Children should never use these items to play. Cartons covered with rugs, bedspreads, plastic sheets or stretch wrap may become airtight chambers, and can quickly cause suffocation.
- Remove all staples from the carton. Staples can cause severe cuts, and destroy finishes if they come in contact with other appliances or furniture.
- An empty, discarded ice box, refrigerator, or freezer is a very dangerous attraction to children.

**Remove the door(s) of any appliance that is not in use, even if it is being discarded.**

#### **⚠ WARNING** ELECTRICAL INFORMATION

**These guidelines must be followed to ensure that safety mechanisms in the design of this wine cooler will operate properly.**

- **Wine Cooler must be plugged into its own 115 Volt, 60 Hz., AC only electric outlet.** The power cord of the appliance is equipped with a three-prong grounding plug for your protection against shock hazards. It must

be plugged directly into a properly grounded three-prong receptacle. The receptacle must be installed in accordance with local codes and ordinances. Consult a qualified electrician. **Do not use an extension cord or adapter plug.**

- If voltage varies by 10% or more, performance of your wine cooler may be affected. Operating wine cooler with insufficient power can damage the compressor.
- To prevent the wine cooler from being turned off accidentally, do not plug unit into an outlet controlled by a wall switch or pull cord.
- Do not pinch, knot, or bend the cord in any manner.

#### **⚠ WARNING** OTHER PRECAUTIONS

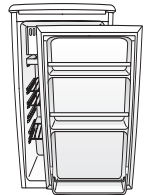
- Never unplug the wine cooler by pulling on the cord. Always grip the plug firmly, and pull straight out from the receptacle.
- To avoid electrical shock, unplug the wine cooler before cleaning and before replacing a light bulb.  
**NOTE:** Turning the temperature control to OFF turns off the compressor, but does not disconnect the power to the light bulb or other electrical components.
- Do not operate wine cooler in the presence of explosive fumes.

#### Proper Disposal of Your Wine Cooler

**⚠ WARNING** Risk of child entrapment. Child entrapment and suffocation are not problems of the past. Junked or abandoned Wine Coolers are still dangerous — even if they will sit for "just a few days." If you are getting rid of your old wine cooler, please follow the instructions below to help prevent accidents.

#### BEFORE YOU THROW AWAY YOUR OLD WINE COOLER:

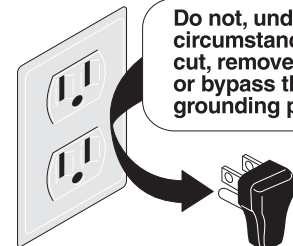
- Remove doors.
- Leave shelves in place so children may not easily climb inside.



#### **⚠ WARNING**

Avoid fire hazard or electric shock. Do not use an extension cord or an adapter plug. Do not remove any prong from the power cord.

Grounding type wall receptacle



**Do not, under any circumstances, cut, remove, or bypass the grounding prong.**

Power supply cord with 3-prong grounding plug

## FIRST STEPS

This Owner's Guide provides specific operating instructions for your model. Use the refrigerator only as instructed in this Owner's Guide. **Before starting the wine cooler, follow these important first steps.**

### INSTALLATION

- Choose a place that is near a grounded electrical outlet. **Do Not** use an extension cord or an adapter plug.
- For optimal performance, it is recommended that you install the wine cooler where the ambient temperature is between 70 and 78 degrees fahrenheit.
- *Allow space around the unit for good air circulation.* Leave a 2 inch space on the back and sides of the wine cooler for adequate circulation.
- Be sure the wine cooler stays in the upright position during transport.
- Keep the wine cooler from any hazardous or combustible agents.

**NOTE:** The exterior walls of the wine cooler may become quite warm as the compressor works to transfer heat from the inside. Temperatures as much as 30° F warmer than room temperature can be expected. For this reason it is particularly important in hotter climates to allow enough space for air circulation around your wine cooler.

### LEVELING

The wine cooler must have all bottom corners resting firmly on solid floor. The floor must be strong enough to support a fully loaded wine cooler. **NOTE:** It is **Very Important** for your wine cooler to be level in order to function properly. If the wine cooler is not leveled during installation, the door may be misaligned and not close or seal properly, causing cooling, frost, or moisture problems.

#### To Level Your Wine Cooler:

After removing all interior and exterior packaging materials, use a carpenter's level to level the wine cooler from front-to-back. Adjust the leveling legs in front, ½ bubble higher, so that the door closes easily when left halfway open.

### CLEANING

- Wash any removable parts of the wine cooler interior, and exterior with mild detergent and warm water. Wipe dry. **Do not use harsh cleaners on these surfaces.**
- Do not use razor blades or other sharp instruments, which can scratch the appliance surface when removing adhesive labels. Any glue left from the tape can be removed with a mixture of warm water and mild detergent, or touch the residue with the sticky side of tape already removed. **Do not remove the serial plate.**

**Important Safeguards:** Do not store food in your wine cooler as interior temperature may not get cool enough to prevent spoilage. In summer months or areas of high humidity, the glass door may build up moisture. To remove the moisture, wipe it away.

## REVERSING THE DOOR SWING

The wine cooler glass door can be opened from left to right and vice versa. Should you desire to change the opening direction, please follow these instructions.

**NOTE:** All parts removed must be saved to do the reinstallation of the door.

1. Remove the two screws (1) that hold the lower hinge (2)(right side) to the frame. Also remove the screw-type leveling front leg (3).
2. Remove the left front leg (4) and transfer it to the right side.
3. Lift the door and place it on a padded surface to prevent scratching it. Make sure to remove the spring (5) located inside the upper right hole of the door, and the upper right side pin (6).
4. Remove the plug button (7) from the upper left hole of the door and transfer it to the uncovered hole on the right side. Be sure to press the button firmly into the hole.
5. Insert the upper pin (6), previously removed from the right side in step 3, and transfer it to the hole on the left side of the top frame.
6. Insert the spring (5), previously removed from step 3, inside the upper left side hole of the door.
7. Set the door in its place making sure the pin (6) enters the bushing at the lower upper frame section (hole).
8. While holding the door in the closed position, secure the left hinge (2) previously removed in step 1.
9. Insert the 2 screws (1) previously removed in step 1 and tighten them.

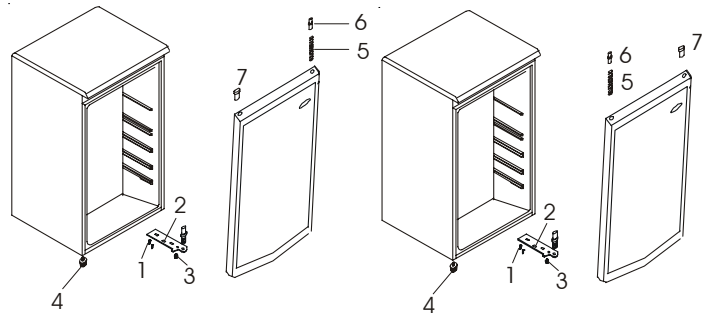


FIGURE 1 Position prior to door reversal      FIGURE 2 Position prior to door reversal

1	Door Hinge Screws
2	Lower Door Hinge
3	Front Leveling Legs
4	Left Front Leg
5	Door Frame Spring
6	Door Frame Pin
7	Hinge Plug (Door Frame) Left Side

## ENERGY SAVING TIPS



- Install the wine cooler in the coolest part of the room, out of direct sunlight and away from heating ducts or registers. Do not place the wine cooler next to heat-producing appliances such as a range, oven or dishwasher.

- Level the wine cooler so the door close tightly.
- Do not overcrowd the wine cooler or block cold air vents. Doing so causes the wine cooler to run longer and use more energy. Shelves should not be lined with aluminum foil, wax paper or paper toweling. Liners interfere with cold air circulation, making the wine cooler less efficient, which could cause food spoilage.
- Cover foods and wipe containers dry before placing them in the wine cooler. This cuts down on moisture build-up inside the unit.
- Organize the wine cooler to reduce door openings. Remove as many items as needed at one time and close the door as soon as possible.

## SETTING THE TEMPERATURE CONTROL

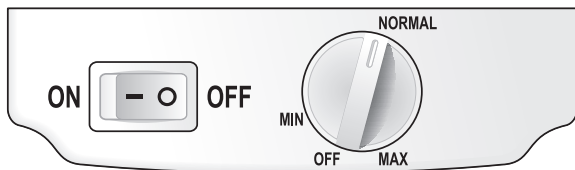
### COOL DOWN PERIOD

For safe food storage, allow 4 hours for the wine cooler to cool down completely. The wine cooler will run continuously for the first several hours.

### TEMPERATURE CONTROL

1. The wine cooler can be operated by adjusting the temperature control knob to the various settings: OFF, NORMAL, MIN or MAX.
2. Note that by turning the temperature control knob to OFF, it only stops the cooling cycle but does NOT turn off the wine cooler.
3. If the wine cooler is unplugged from the power supply, you must wait 3 to 5 minutes before restarting the wine cooler.

The temperature range MIN and MAX is 46° - 60° F, which is ideal for wine storage.



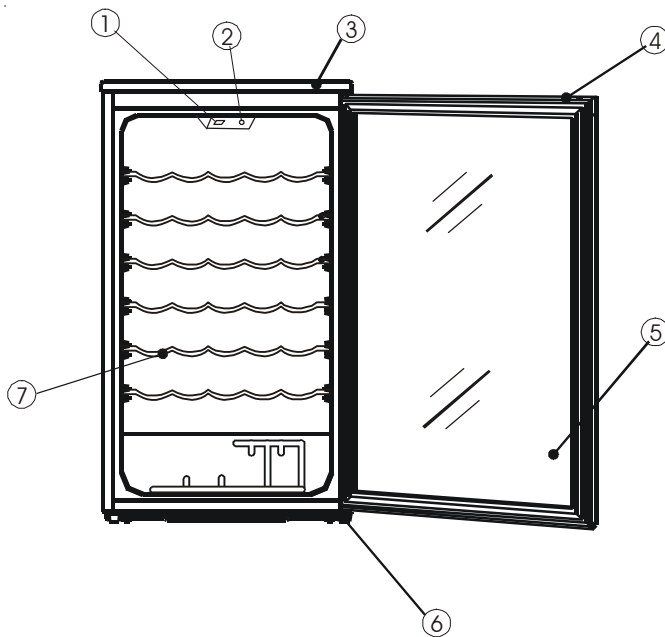
## WINE COOLER FEATURES

### ADJUSTABLE INTERIOR SHELVES

Multi-position adjustable interior shelves can be moved to any position for larger or smaller packages. The shipping spacers that stabilize the shelves for shipping should be removed and discarded.

### INTERIOR LIGHT (Some models)

The light comes on automatically when the door is opened. To replace the light bulb, turn the temperature control to OFF and **unplug the electrical cord**. Replace the old bulb with a bulb of the same wattage.

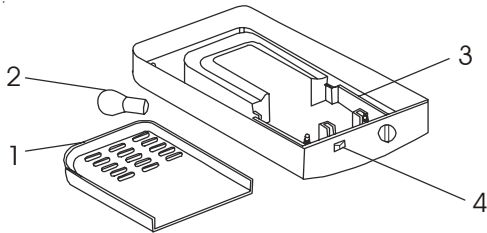


1	Internal light switch
2	Temperature control knob
3	Top cover
4	Reversible wooden door frame
5	Glass door
6	Adjustable leveling legs
7	Wine rack

## CARE AND CLEANING

**⚠ WARNING** Before removing the light bulb, disconnect the wine cooler from the power supply. Failure to do so could result in electrical shock or personal injury.

1. Push the light switch(4) OFF.
2. Remove the light bulb cover (1) by gently pulling on the bottom end of the cover.
3. Unscrew the bulb (2).
4. Replace with a 10 watt bulb of the same shape and size.
5. Replace the light cover.
6. Push the light switch (4) ON.



1	Bulb Cover
2	Bulb
3	Housing
4	Light Switch

## CLEANING THE WINE COOLER

- Before cleaning, turn the temperature control to OFF, unplug the wine cooler and remove the bottles.
- Clean your wine cooler once every two months.

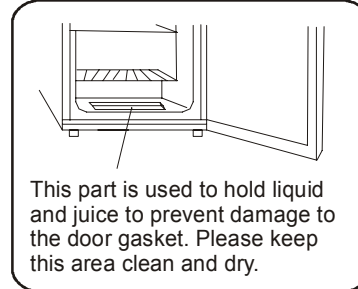
**Inside:** Wash inside surfaces of the wine cooler with a solution of two tablespoons of baking soda in one quart (1.136 litres) warm water. Rinse and dry. Wring excess water out of the sponge or cloth when cleaning in the area of the controls, or any electrical parts.

Wash the removable parts with the baking soda solution mentioned above, or mild detergent and warm water. Rinse and dry. **Never** use metallic scouring pads, brushes, abrasive cleaners, or alkaline solutions on any surface. Do not wash removable parts in a dishwasher.

**Outside:** Wash the cabinet with warm water and mild liquid detergent. Rinse well and wipe dry with a clean soft cloth.

## CARE OF PLASTIC PARTS

- Be sure and protect the door gasket. It should be kept clean at all times.
- If the plastic parts in the wine cooler remain contaminated by oil (animal or vegetable) for a long period of time, they will age and crack easily. Please clean them on a regular basis.



## VACATION AND MOVING TIPS

### Vacations:

If the wine cooler will not be used for several months:

- Remove all wine bottles and unplug the power cord.
- Clean and dry the interior thoroughly.
- Leave the wine cooler door open slightly, blocking it open if necessary, to prevent odor and mold growth.

**Moving:** When moving the wine cooler, follow these guidelines to prevent damage:

- Disconnect the power cord plug from the wall outlet.
- Remove wine bottles and clean the wine cooler.
- Secure all loose items by taping them securely in place to prevent damage.
- In the moving vehicle, secure wine cooler in an upright position to prevent movement. Also protect outside of

**⚠ WARNING** If leaving the wine cooler door open while on vacation, make certain that children cannot get into the wine cooler and become entrapped.

# Compact Appliance Warranty Information

Your appliance is covered by a one year limited warranty. For one year from your original date of purchase, Electrolux will pay all costs for repairing or replacing any parts of this appliance that prove to be defective in materials or workmanship when such appliance is installed, used and maintained in accordance with the provided instructions.

**Exclusions**      **This warranty does not cover the following:**

1. Products with original serial numbers that have been removed, altered or cannot be readily determined.
2. Product that has been transferred from its original owner to another party or removed outside the USA or Canada.
3. Rust on the interior or exterior of the unit.
4. Products purchased "as-is" are not covered by this warranty.
5. Food loss due to any refrigerator or freezer failures.
6. Products used in a commercial setting.
7. Service calls which do not involve malfunction or defects in materials or workmanship, or for appliances not in ordinary household use or used other than in accordance with the provided instructions.
8. Service calls to correct the installation of your appliance or to instruct you how to use your appliance.
9. Expenses for making the appliance accessible for servicing, such as removal of trim, cupboards, shelves, etc., which are not a part of the appliance when it is shipped from the factory.
10. Service calls to repair or replace appliance light bulbs, air filters, water filters, other consumables, or knobs, handles, or other cosmetic parts.
11. Surcharges including, but not limited to, any after hour, weekend, or holiday service calls, tolls, ferry trip charges, or mileage expense for service calls to remote areas, including the state of Alaska.
12. Damages to the finish of appliance or home incurred during installation, including but not limited to floors, cabinets, walls, etc.
13. Damages caused by: services performed by unauthorized service companies; use of parts other than genuine Electrolux parts or parts obtained from persons other than authorized service companies; or external causes such as abuse, misuse, inadequate power supply, accidents, fires, or acts of God.
14. Labor costs after ninety (90) days from your original date of purchase incurred for product repair or replacement as provided herein for carry-in appliances.

**DISCLAIMER OF IMPLIED WARRANTIES; LIMITATION OF REMEDIES**

CUSTOMER'S SOLE AND EXCLUSIVE REMEDY UNDER THIS LIMITED WARRANTY SHALL BE PRODUCT REPAIR OR REPLACEMENT AS PROVIDED HEREIN. CLAIMS BASED ON IMPLIED WARRANTIES, INCLUDING WARRANTIES OF MERCHANTABILITY OR FITNESS FOR A PARTICULAR PURPOSE, ARE LIMITED TO ONE YEAR OR THE SHORTEST PERIOD ALLOWED BY LAW, BUT NOT LESS THAN ONE YEAR. ELECTROLUX SHALL NOT BE LIABLE FOR CONSEQUENTIAL OR INCIDENTAL DAMAGES SUCH AS PROPERTY DAMAGE AND INCIDENTAL EXPENSES RESULTING FROM ANY BREACH OF THIS WRITTEN LIMITED WARRANTY OR ANY IMPLIED WARRANTY. SOME STATES AND PROVINCES DO NOT ALLOW THE EXCLUSION OR LIMITATION OF INCIDENTAL OR CONSEQUENTIAL DAMAGES, OR LIMITATIONS ON THE DURATION OF IMPLIED WARRANTIES, SO THESE LIMITATIONS OR EXCLUSIONS MAY NOT APPLY TO YOU. THIS WRITTEN WARRANTY GIVES YOU SPECIFIC LEGAL RIGHTS. YOU MAY ALSO HAVE OTHER RIGHTS THAT VARY FROM STATE TO STATE.

**If You Need Service**      Keep your receipt, delivery slip, or some other appropriate payment record to establish the warranty period should service be required. If service is performed, it is in your best interest to obtain and keep all receipts. Service under this warranty must be obtained by contacting Electrolux at the addresses or phone numbers below.

This warranty only applies in the USA and Canada. In the USA, your appliance is warranted by Electrolux Major Appliances North America, a division of Electrolux Home Products, Inc. In Canada, your appliance is warranted by Electrolux Canada Corp. Electrolux authorizes no person to change or add to any obligations under this warranty. Obligations for service and parts under this warranty must be performed by Electrolux or an authorized service company. Product features or specifications as described or illustrated are subject to change without notice.

**USA**  
**1.800.944.9044**  
Electrolux Major Appliances  
North America  
P.O. Box 212378  
Augusta, GA 30907



**Canada**  
**1.800.668.4606**  
Electrolux Canada Corp.  
5855 Terry Fox Way  
Mississauga, Ontario, Canada  
L5V 3E4



<b>TROUBLESHOOTING GUIDE</b>	Before calling for service, review this list. It may save you time and expense. This list includes common occurrences that are not the result of defective workmanship or materials in this appliance.	
<b>PROBLEM</b>	<b>CAUSE</b>	<b>CORRECTION</b>
<b>WINE COOLER OPERATION</b>		
<b>Wine Cooler does not run.</b>	<ul style="list-style-type: none"> <li>• Wine Cooler is plugged into a circuit that has a ground fault interrupt.</li> <li>• Temperature control is in the OFF position.</li> <li>• Wine Cooler may not be plugged in, or plug may be loose.</li> <li>• House fuse blown or tripped circuit breaker.</li> <li>• Power outage.</li> </ul>	<ul style="list-style-type: none"> <li>• Use another circuit. If you are unsure about the outlet, have it checked by a certified technician.</li> <li>• See <b>Setting the Temperature Control</b> Section.</li> <li>• Ensure plug is tightly pushed into outlet.</li> <li>• Check/replace fuse with a 15 amp time-delay fuse. Reset circuit breaker.</li> <li>• Check house lights. Call local Electric Company.</li> </ul>
<b>Wine Cooler runs too much or too long.</b>	<ul style="list-style-type: none"> <li>• Room or outside weather is hot.</li> <li>• Wine Cooler has recently been disconnected for a period of time.</li> <li>• Large amounts of warm or hot food have been stored recently.</li> <li>• Doors are opened too frequently or too long.</li> <li>• Wine Cooler door may be slightly open.</li> <li>• Temperature Control is set too low.</li> <li>• Wine Cooler gasket is dirty, worn, cracked, or poorly fitted.</li> </ul>	<ul style="list-style-type: none"> <li>• It's normal for the Wine Cooler to work harder under these conditions.</li> <li>• It takes 4 hours for the Wine Cooler to cool down completely.</li> <li>• Warm food will cause Wine Cooler to run more until the desired temperature is reached.</li> <li>• Warm air entering the Wine Cooler causes it to run more. Open doors less often.</li> <li>• See "<b>DOOR PROBLEMS</b>" Section.</li> <li>• Turn control knob to a warmer setting. Allow several hours for the temperature to stabilize.</li> <li>• Clean or change gasket. Leaks in the door seal will cause Wine Cooler to run longer in order to maintain desired temperature.</li> </ul>
<b>Interior Wine Cooler temperature is too cold.</b>	<ul style="list-style-type: none"> <li>• Temperature Control is set too low.</li> </ul>	<ul style="list-style-type: none"> <li>• Turn the control to a warmer setting. Allow several hours for the temperature to stabilize.</li> </ul>
<b>Interior Wine Cooler temperature is too warm.</b>	<ul style="list-style-type: none"> <li>• Temperature Control is set too warm.</li> <li>• Door is kept open too long or is opened too frequently.</li> <li>• Door may not be seating properly.</li> <li>• Large amounts of warm or hot food may have been stored recently.</li> <li>• Wine Cooler has recently been disconnected for a period of time.</li> </ul>	<ul style="list-style-type: none"> <li>• Turn control to a colder setting. Allow several hours for the temperature to stabilize.</li> <li>• Warm air enters the Wine Cooler every time the door is opened. Open the door less often.</li> <li>• See "<b>DOOR PROBLEMS</b>" Section.</li> <li>• Wait until the Wine Cooler has had a chance to reach its selected temperature.</li> <li>• Wine Cooler requires 4 hours to cool down completely.</li> </ul>
<b>Wine Cooler external surface temperature is warm.</b>	<ul style="list-style-type: none"> <li>• The external Wine Cooler walls can be as much as 30°F warmer than room temperature.</li> </ul>	<ul style="list-style-type: none"> <li>• This is normal while the compressor works to transfer heat from inside the Wine Cooler cabinet.</li> </ul>
<b>SOUND AND NOISE</b>		
<b>Louder sound levels whenever Wine Cooler is on.</b>	<ul style="list-style-type: none"> <li>• Modern wine coolers have increased storage capacity and more stable temperatures. They require a high efficiency compressor.</li> </ul>	<ul style="list-style-type: none"> <li>• This is normal. When the surrounding noise level is low, you might hear the compressor running while it cools the interior.</li> </ul>
<b>Longer sound levels when compressor comes on.</b>	<ul style="list-style-type: none"> <li>• Wine cooler operates at higher pressures during the start of the ON cycle.</li> </ul>	<ul style="list-style-type: none"> <li>• This is normal. Sound will level off or disappear as refrigerator continues to run.</li> </ul>

<b>PROBLEM</b>	<b>CAUSE</b>	<b>CORRECTION</b>
<b><i>SOUND AND NOISE (Cont.)</i></b>		
<b>Fan runs when room temperature is below 45°F.</b>	<ul style="list-style-type: none"> <li>Exterior thermostat has activated the heater and fan.</li> </ul>	<ul style="list-style-type: none"> <li>This is normal.</li> </ul>
<b>Popping or cracking sound when compressor comes on.</b>	<ul style="list-style-type: none"> <li>Metal parts undergo expansion and contraction, as in hot water pipes.</li> </ul>	<ul style="list-style-type: none"> <li>This is normal. Sound will level off or disappear as Wine Cooler continues to run.</li> </ul>
<b>Bubbling or gurgling sound, like water boiling.</b>	<ul style="list-style-type: none"> <li>Refrigerant (used to cool Wine Cooler) is circulating throughout the system.</li> </ul>	<ul style="list-style-type: none"> <li>This is normal.</li> </ul>
<b>Vibrating or rattling noise.</b>	<ul style="list-style-type: none"> <li>Wine Cooler is not level. It rocks on the floor when it is moved slightly.</li> <li>Wine Cooler is touching the wall.</li> </ul>	<ul style="list-style-type: none"> <li>Level the unit. Refer to "Leveling" in the <b>First Steps</b> Section.</li> <li>Relevel the Wine Cooler or move Wine Cooler slightly. Refer to "Leveling" in the <b>First Steps</b> Section.</li> </ul>
<b>Snapping Sound.</b>	<ul style="list-style-type: none"> <li>Cold Control turning the Wine Cooler on and off.</li> </ul>	<ul style="list-style-type: none"> <li>This is normal.</li> </ul>
<b><i>WATER/MOISTURE/FROST INSIDE WINE COOLER</i></b>		
<b>Moisture forms on inside of refrigerator walls.</b>	<ul style="list-style-type: none"> <li>Weather is hot and humid.</li> <li>Door may not be seating properly.</li> <li>Door is kept open too long, or is opened too frequently.</li> </ul>	<ul style="list-style-type: none"> <li>This is normal.</li> <li>See "<b>DOOR PROBLEMS</b>" Section.</li> <li>Open the door less often.</li> </ul>
<b><i>WATER/MOISTURE/FROST OUTSIDE WINE COOLER</i></b>		
<b>Moisture forms on outside of refrigerator.</b>	<ul style="list-style-type: none"> <li>Door may not be seating properly, causing the cold air from inside the Wine Cooler to meet warm moist air from outside.</li> </ul>	<ul style="list-style-type: none"> <li>See "<b>DOOR PROBLEMS</b>" Section.</li> </ul>
<b><i>ODOR IN WINE COOLER</i></b>		
<b>Odors in refrigerator.</b>	<ul style="list-style-type: none"> <li>Interior needs to be cleaned.</li> </ul>	<ul style="list-style-type: none"> <li>Clean interior with sponge, warm water, and baking soda.</li> </ul>
<b><i>DOOR PROBLEMS</i></b>		
<b>Door will not close.</b>	<ul style="list-style-type: none"> <li>Wine Cooler is not level. It rocks on the floor when it is moved slightly.</li> </ul>	<ul style="list-style-type: none"> <li>This condition can force the cabinet out of square and misalign the door. Refer to "Leveling" in the <b>First Steps</b> Section.</li> </ul>
<b><i>LIGHT BULB IS NOT ON</i></b>		
<b>Light bulb is not on.</b>	<ul style="list-style-type: none"> <li>Light bulb is burned out.</li> <li>No electric current is reaching the Wine Cooler.</li> </ul>	<ul style="list-style-type: none"> <li>Follow directions under "Interior Light" in the <b>Wine Cooler Features</b> Section.</li> <li>See "<b>WINE COOLER OPERATION</b>" Section.</li> </ul>



## Free Manuals Download Website

<http://myh66.com>

<http://usermanuals.us>

<http://www.somanuals.com>

<http://www.4manuals.cc>

<http://www.manual-lib.com>

<http://www.404manual.com>

<http://www.luxmanual.com>

<http://aubethermostatmanual.com>

Golf course search by state

<http://golfingnear.com>

Email search by domain

<http://emailbydomain.com>

Auto manuals search

<http://auto.somanuals.com>

TV manuals search

<http://tv.somanuals.com>