

Frigidaire

Factory Parts Catalog

Product No.	FFH17F7HWE
Series	Precision
Color	white
Volts	115V
Wiring Diagram	297246001
Owner's Guide	297281400
Market	North America
Energy Guide	216910410

 **Electrolux**

Electrolux Major Appliances
North & Latin America
P.O. BOX 212378
AUGUSTA, GA 30917

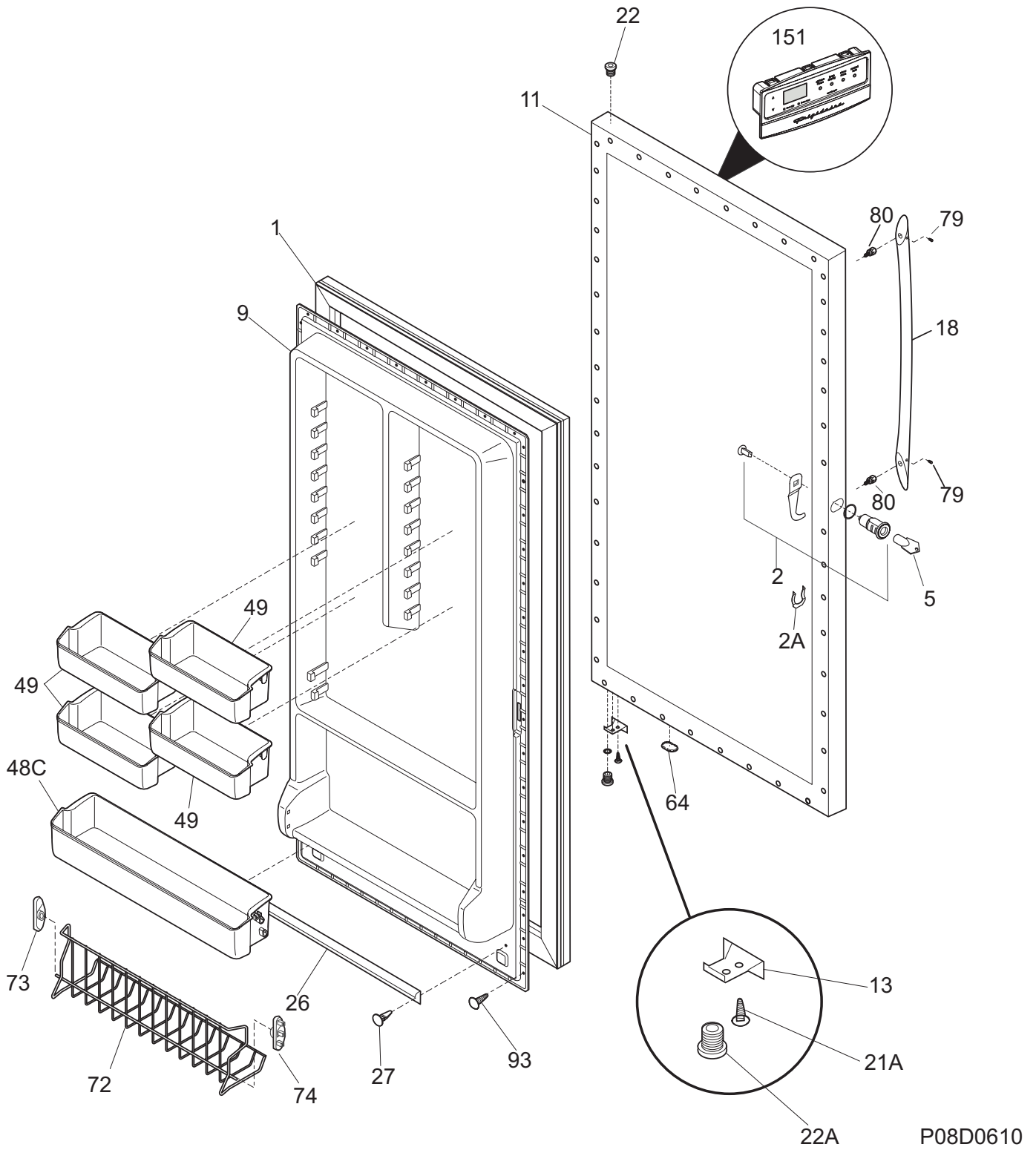
Publication No.
5995552030
09/09/14
(EN/SERVICE/MLR)
365

UPRIGHT FREEZER

Model No.
FFH17F7HW

Copyright © 2009 Electrolux Home Products, Inc.
All rights reserved.

DOOR

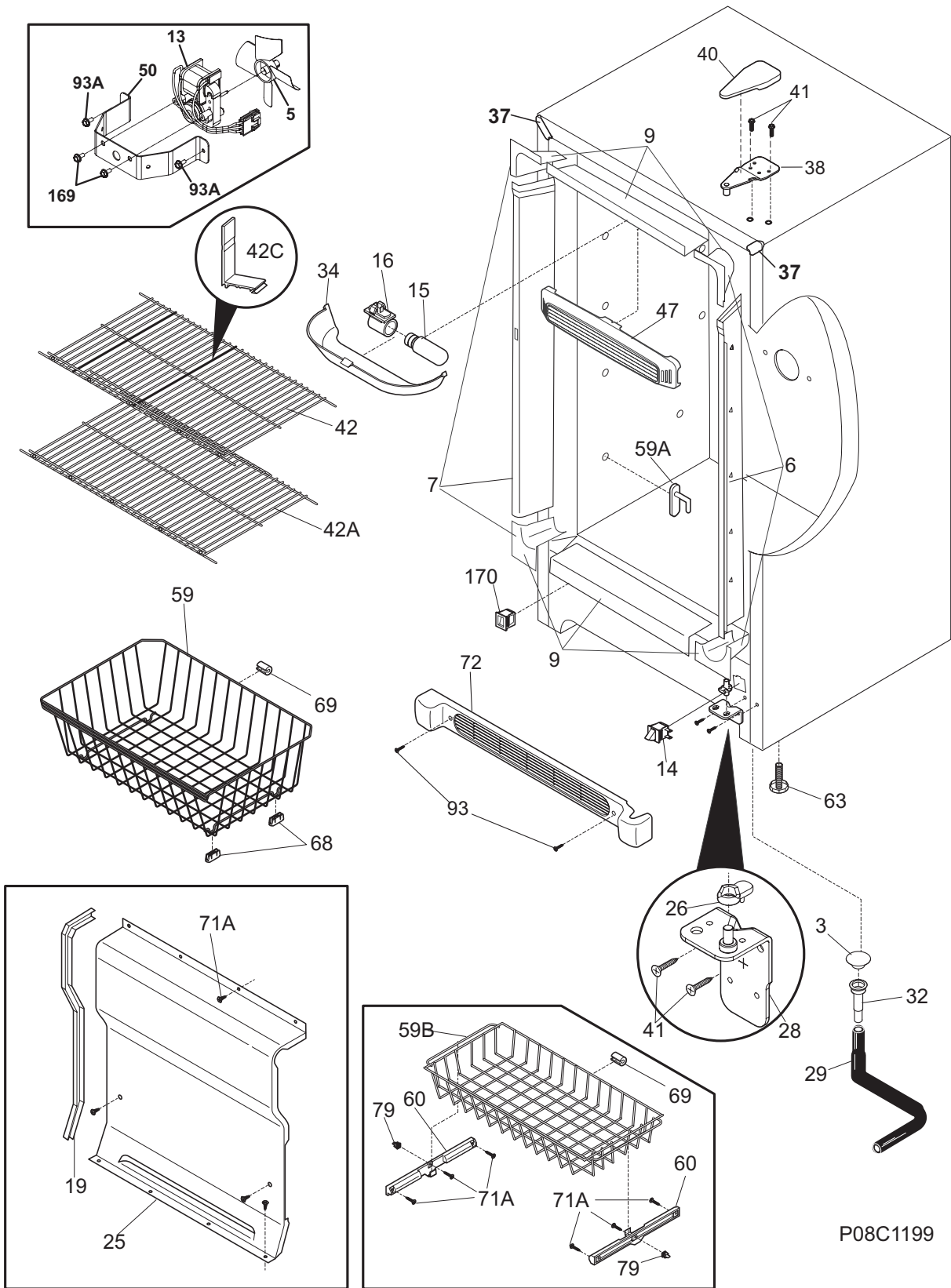


P08D0610

DOOR

POS. NO	PART NO.	DESCRIPTION
1	216522309	Gasket-door, white
2 #	297213400	Lock Assy
2A	297213300	Clip, spring
5	297147700	Key, lock
9	297185800	Panel-inner door, frzr
11	297316505	Panel-outer door, white
13	297257000	Door Stop, chrome, RH
18	297233800	Handle-door, white
*	240537301	Nut-anchor, door hdl screw
21A	297197500	Screw, door stop mtg, FH38-16X.750, P Twin
22	216970800	Bearing, hinge w/o'ring, top
22A	297006800	Bearing-hinge, btm, w/o'ring
26	216524201	Gasket, secondary
27	5304472186	Clip, panel mtg
27*	5304406520	Clip, panel mtg kit, (40)
48C	297225600	Bin-door, gallon
49	297187200	Bin-door, 2-liter
64	216403700	Plug-button, hole filler, door base
72	297186701	Shelf, tilt out, wire
73	216513900	End Cap, shelf, LH, tilt-out
74	216514000	End Cap, shelf, RH, tilt-out
79	218755402	Screw-set, 10-32 x 0.375
80	218755504	Screw-shoulder, #10 AB, handle mounting
93	5304460605	Screw, ph truss head, 8-18AB x 0.500
151#	297241900	Control-electronic, assy, white, 115V

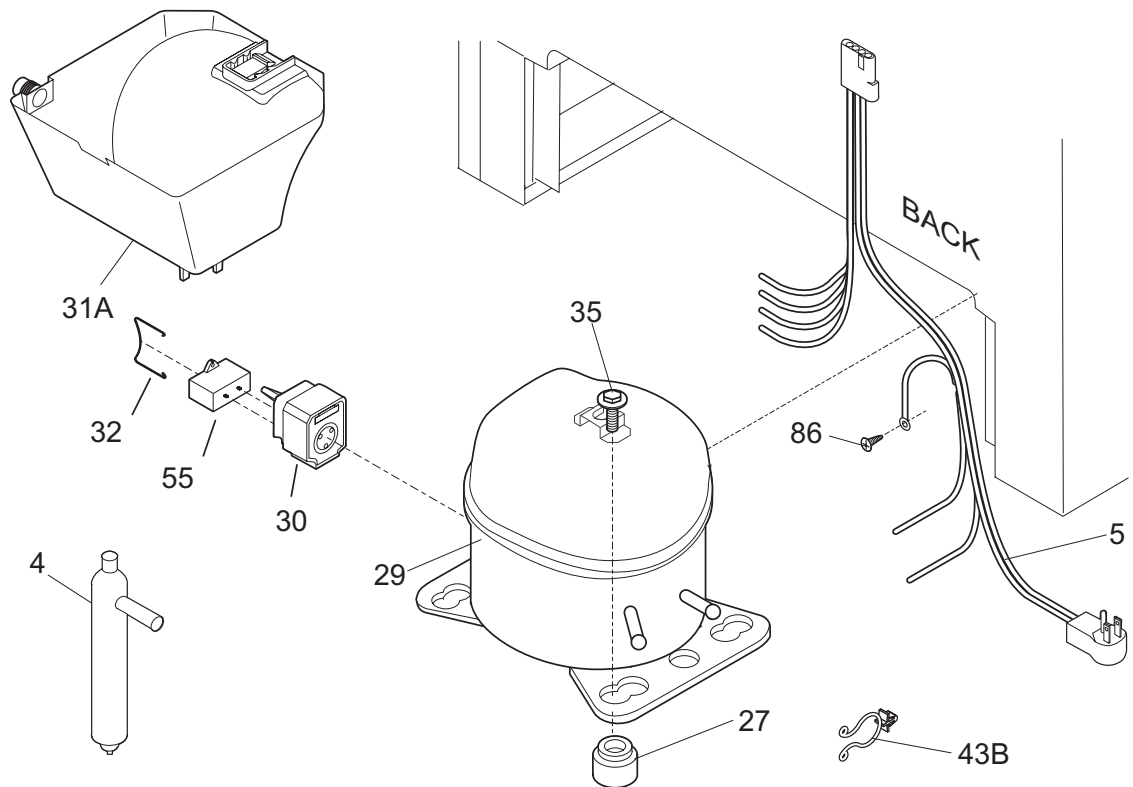
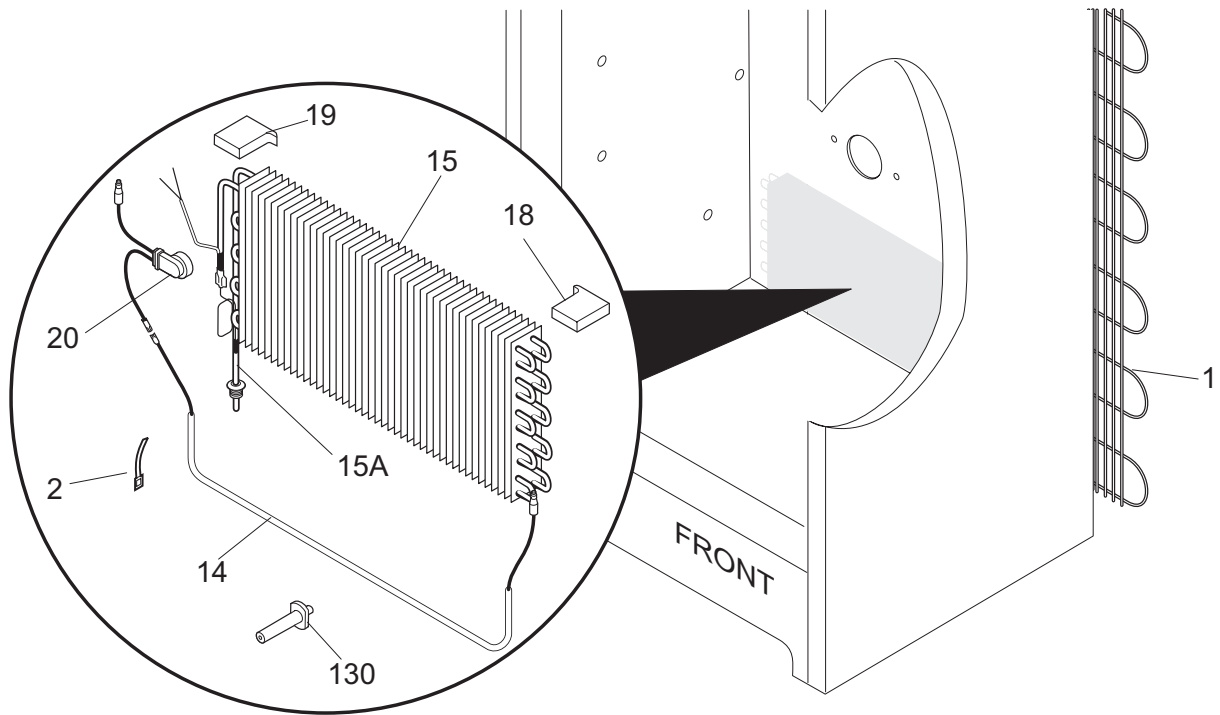
CABINET



CABINET

POS. NO	PART NO.	DESCRIPTION
3	216503100	Screen-drain
5 #	216325600	Fan Blade
6	297200600	Breaker Kit w/corners, no lock slot
7	297200800	Breaker Kit w/corners, incl lock catch
9	297200100	Breaker Kit w/corners, 32", top and bottom
13 #	297250000	Motor, fan, 115 V
14	216822900	Switch, light/lamp, ramp
15	297114000	Light Bulb, short, blue tint, 40W
16	297139500	Socket, light/lamp
19	216204900	Gasket, evap cover
25	297098851	Cover-evaporator
26	216503300	Ramp, door closer
28	297283900	Hinge-bottom, stepped pin
29	216313501	Hose-drain
32	5308005500	Drain
34	297184400	Shield-light
37	297273900	Trim-cabinet corner, white, (2)
38	297283800	Hinge-upper
40	297164400	Cover-hinge
41	297236200	Screw, tamper proof, 1/4-20 x 5/8
42	297119601	Shelf, 14.50x27.88, (2)
42A	297119501	Shelf, 12.50x27.88, white
*	216502400	Grommet-shelf mtg
42C	297183702	Divider, blue, wire shelf
47	297192900	Baffle, air
50	216394050	Bracket, fan motor mount
59	297308800	Basket, bottom
59A	216486500	Stop-basket, (2)
59B	297308400	Basket, mid-level
60	297013500	Slide, basket
63	216396900	Screw, leveling foot, plastic, adjustable
63*	297164650	Bracket, LH leg levelor
63*	297164651	Bracket, RH leg levelor
68	08009560	Glide-basket
69	5305878546	Bumper-basket
71A	297146800	Screw, 8-18AB x 0.470
72	297198900	Grille/Kickplate, 32", white
79	3017666	Nut-insert
93	5304460605	Screw, ph truss head, 8-18AB x 0.500
93A	2971174300	Screw, #8, 18x.63, self pierce
*	216327800	Clip, wire
169	216912401	Screw, hex washer head, 8-32 x 0.500, bracket fan mtr, (2)
170	297280400	Valve, breather
*	216910410	Energy Guide
*	5303305324	Paint, touch-up, white
*	297001704	Insulation, 24", drain tube
*	297257400	Label, start guide
*	297281200	Instructions, elect guide, Precision

SYSTEM



P08S0507

SYSTEM

POS. NO	PART NO.	DESCRIPTION
1 #	5300083897	Condenser
2	5308000110	Strap-evap/heater, aluminum, (2)
4	216987500	Drier-filter
5 #	297237602	Harness-main
14	297216101	Heater-defrost
15 #	216997300	Evaporator
15A	297217900	Heat Exchanger, suct/cap tube
18	297078701	Insulator-evap, styrofoam, RH
19	297078801	Insulator-evap, styrofoam, LH
20	297216600	Thermostat, defrost
27	297293300	Grommet, compressor
29 #	297270421	Compressor, w/o electricals
30	216954224	Controller, compressor
31A	297272100	Pan-drain
*	5303311565	Clip-cable
32	216649200	Clip, controller
35	297177200	Bolt, compressor
43B	297315800	Clip, wire
55	216985002	Capacitor, run, 12 MF
86	216036601	Screw, RWHD, 8-32A x 0.500, GX-CA
130	297244700	Support, evaporator mtg
*	216502500	Sleeve, suction line
*	240555002	Screw-#8-32 X 3/8
*	297014500	Plug-suction line
*	297018400	Thermistor
*	297174300	Screw, #8, 18x.63, self pierce
*#	297169904	Cord-power

Free Manuals Download Website

<http://myh66.com>

<http://usermanuals.us>

<http://www.somanuals.com>

<http://www.4manuals.cc>

<http://www.manual-lib.com>

<http://www.404manual.com>

<http://www.luxmanual.com>

<http://aubethermostatmanual.com>

Golf course search by state

<http://golfingnear.com>

Email search by domain

<http://emailbydomain.com>

Auto manuals search

<http://auto.somanuals.com>

TV manuals search

<http://tv.somanuals.com>