



# Home Comfort

FRA08EZT1

## Compact Slide-Out Chassis Air Conditioner/Heater



## Signature Features

### Effortless™ Temperature Control

Our air conditioners maintain the preset room temperature, so you will remain comfortable at all times.

### Remote Control

Allows you to precisely control the temperature and fan speed from across the room.

### Ready-Select™ Controls

Easily select options with the touch of a button.

### Effortless™ Clean Filter

Our anti-microbial filter cleans the air, removing harmful bacteria.

## Product Dimensions

Height	15-3/8"
Width	22-5/8"
Depth	21-3/8"

## More Easy-To-Use Features

### Multi-Speed Fan

Features three different fan speeds, for more cooling flexibility.

### Sleep Mode

Quiet operation keeps you cool without keeping you awake. Plus, Sleep Mode gradually increases room temperature after being activated.

### Quickly Cools

### Comfort Control Design

Easily control the direction of your cool air, wherever your unit is.

### Effortless™ Restart

Automatically resumes operating at its previous settings when power is restored to your unit.

### Supplemental Heat Only

Our versatile unit offers a supplemental heating capability, providing you with an additional heat source when needed.

### Clean Filter Alert

### Power Cord

Comes with an extra long three-prong cord that makes extension cords unnecessary.

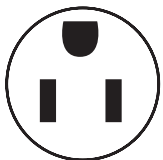
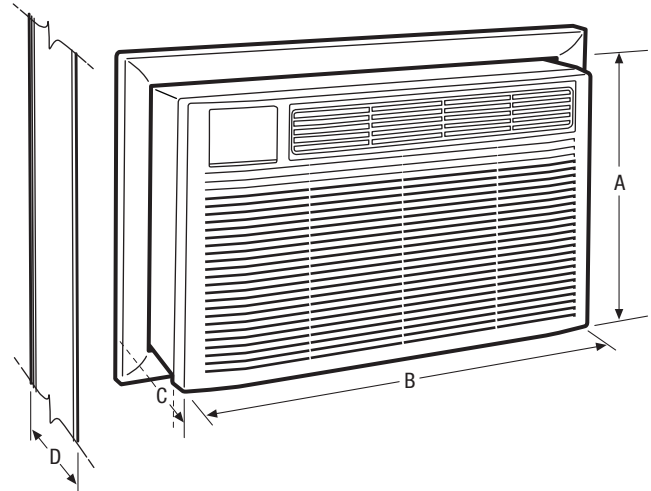
### SpaceWise® Adjustable Design

Optional Side Panels extend so you can adjust your unit to fit your window.

### 24 Hour On/Off Timer

Performance	BTUs
Cool	8,000
Heat	3,500

<b>Features</b>	
BTU (Cool)	8,000
BTU (Heat)	3,500
Dehumidification (Pints/Hour)	1.5
Cool Area (Sq. Ft.)	350
Energy Efficiency Ratio	9.8
<b>Electrical</b>	
Volts	115
Amps (Cool)	7.4
Amps (Heat)	11.6
Watts (Cool)	815
Watts (Heat)	1,290
Length of Power Cord (Min./Max.)	6' / 6.5'
Plug Type (NEMA)*	LCDI (A)
<b>Features</b>	
Electronic Controls	Ready-Select™ Controls
Fan Speeds (Cool/Fan/Heat)	3/3/1
Low Voltage Start-Up	Yes
Auto Cool Function	Yes
Energy Save	Yes
Sleep Mode	Yes
Filter Check	Yes
24 Hour On/Off Timer	Yes
Clean Air Ionizer	
Remote Control	Full-Function with Heat
Air CFM (High/Med/Low)	275/252/216
Air Direction Control	4-Way
Fresh Air/Exhaust Vent/Closed	No/No/Yes
Filter Type	Antimicrobial Mesh
Filter Access	Tilt-Out
Slide-Out Chassis	Yes
Cabinet Louvers	Yes
Rear Grille	
Window Mounting Kit	Pleated Quick Mount
<b>Certifications</b>	
Performance	AHAM
<b>Specifications</b>	
Refrigerant	R410a
Shipping Weight (Approx.)	83 Lbs.



\*Plug Type (NEMA)  
(A) 5-15P

*NOTE: For planning purposes only. Always consult local and national electric codes. Refer to Product Installation Guide for detailed installation instructions on the web at frigidaire.com.*



Product Dimensions	
A - Height	15-3/8"
B - Width	22-5/8"
C - Depth	21-3/8"
D - Max. Wall Thickness	6-1/8"

Window Dimensions	
Height (Min.)	16-1/2"
Width (Min./Max.)	26-7/8" / 36"
Wall Cutout Dimensions	
Height	16-1/8"
Width	23-3/16"

Accessories information available on the web at [frigidaire.com](http://frigidaire.com)

## Free Manuals Download Website

<http://myh66.com>

<http://usermanuals.us>

<http://www.somanuals.com>

<http://www.4manuals.cc>

<http://www.manual-lib.com>

<http://www.404manual.com>

<http://www.luxmanual.com>

<http://aubethermostatmanual.com>

Golf course search by state

<http://golfingnear.com>

Email search by domain

<http://emailbydomain.com>

Auto manuals search

<http://auto.somanuals.com>

TV manuals search

<http://tv.somanuals.com>