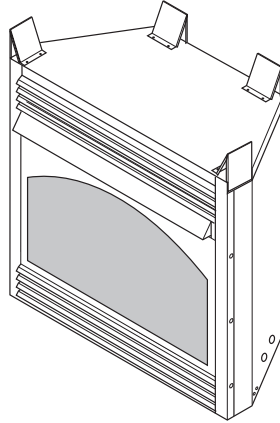


Vantage HearthTM

by FMI PRODUCTS, LLC

UNVENTED (VENT-FREE) GAS FIREPLACE SYSTEM OWNER'S OPERATION AND INSTALLATION MANUAL



MODELS VSGF36NRC AND VSGF36PRC

⚠ WARNING: If the information in this manual is not followed exactly, a fire or explosion may result causing property damage, personal injury or loss of life.

- Do not store or use gasoline or other flammable vapors and liquids in the vicinity of this or any other appliance.
- **WHAT TO DO IF YOU SMELL GAS**
 - Do not try to light any appliance.
 - Do not touch any electrical switch; do not use any phone in your building.
 - Immediately call your gas supplier from a neighbor's phone. Follow the gas supplier's instructions.
 - If you cannot reach your gas supplier, call the fire department.
- Installation and service must be performed by a qualified installer, service agency or the gas supplier.

INSTALLER: Leave this manual with the appliance.
CONSUMER: Retain this manual for future reference.

For more information, visit www.fmiproducts.com

TABLE OF CONTENTS

Safety	2	Cleaning and Maintenance.....	25
Local Codes.....	4	Troubleshooting	26
Product Identification	5	Specifications	30
Unpacking.....	5	Technical Service.....	30
Product Features.....	5	Service Hints	30
Locating Firebox.....	6	Wiring Diagram.....	30
Product Specifications.....	6	Replacement Parts.....	31
Air For Combustion and Ventilation.....	7	Accessories	31
Installation	9	Parts	32
Operation.....	20	Warranty.....	Back Cover
Inspecting Burners	24		

SAFETY

⚠ WARNING: Improper installation, adjustment, alteration, service or maintenance can cause injury or property damage. Refer to this manual for correct installation and operational procedures. For assistance or additional information consult a qualified installer, service agency or the gas supplier.

This firebox has been tested and approved by the PFS Corporation under ANSI Z21.11.2 as a decorative type unvented room heater.

⚠ WARNING: This is an unvented gas-fired heater. It uses air (oxygen) from the room in which it is installed. Provisions for adequate combustion and ventilation air must be provided. Refer to *Air for Combustion and Ventilation* section on page 7 of this manual.

This appliance may be installed in an aftermarket*, permanently located, manufactured (mobile) home, where not prohibited by local codes.

This appliance is only for use with the type of gas indicated on the rating plate. This appliance is not convertible for use with other gases.

*Aftermarket: Completion of sale, not for purpose of resale, from the manufacturer

⚠ WARNING: For use only with a listed decorative type unvented room heater. Do not build a wood fire.

SAFETY

Continued

⚠ WARNING: This product contains and/or generates chemicals known to the state of California to cause cancer or birth defects or other reproductive harm.

IMPORTANT: Read this owner's manual carefully and completely before trying to assemble, operate or service this heater. Improper use of this heater can cause serious injury or death from burns, fire, explosion, electrical shock and carbon monoxide poisoning.

⚠ DANGER: Carbon monoxide poisoning may lead to death!

Carbon Monoxide Poisoning: Early signs of carbon monoxide poisoning resemble the flu, with headaches, dizziness or nausea. If you have these signs, heater may not be working properly. **Get fresh air at once!** Have heater serviced. Some people are more affected by carbon monoxide than others. These include pregnant women, people with heart or lung disease or anemia, those under the influence of alcohol and those at high altitudes.

Natural and Propane/LP Gas: Natural and propane/LP gases are odorless. An odor-making agent is added to gas. The odor helps you detect a gas leak. However, the odor added to the gas can fade. Gas may be present even though no odor exists.

Make certain you read and understand all warnings. Keep this manual for reference. It is your guide to safe and proper operation of this heater.

⚠ WARNING: Any change to this heater or its controls can be dangerous.

⚠ WARNING: Do not use a blower insert, heat exchanger insert or other accessory not approved for use with this heater.

⚠ WARNING: Do not allow fans to blow directly into fireplace. Avoid any drafts that alter burner flame patterns. Ceiling fans can create drafts that alter burner flame patterns. Altered burner patterns can cause sooting.

Due to high temperatures, the appliance should be located out of traffic and away from furniture and draperies.

Do not place clothing or other flammable material on or near the appliance. Never place any objects on heater.

Fireplace front and screen become very hot when running fireplace. Keep children and adults away from hot surfaces to avoid burns or clothing ignition. Fireplace will remain hot for a time after shutdown. Allow surfaces to cool before touching.

Carefully supervise young children when they are in the room with fireplace. When using optional hand-held remote accessory, keep selector switch in OFF position to prevent children from turning on burners with remote.

You must operate this fireplace with the fireplace screen and hood in place. Make sure fireplace screen and hood are in place before running heater.

Keep appliance area clear and free from combustible materials, gasoline and other flammable vapors and liquids.

SAFETY

Continued

1. This appliance is only for use with type of gas indicated on rating plate. This appliance is not convertible for use with other gases.
2. Do not place propane/LP supply tank(s) inside any structure. Locate propane/LP supply tank(s) outdoors (propane/LP units only).
3. If you smell gas
 - shut off gas supply
 - do not try to light any appliance
 - do not touch any electrical switch; do not use any phone in your building
 - immediately call your gas supplier from a neighbor's phone. Follow gas supplier's instructions
 - if you cannot reach your gas supplier, call the fire department
4. This fireplace shall not be installed in a bedroom or bathroom.
5. Do not use this fireplace as a wood-burning fireplace. Use only logs provided with fireplace.
6. Do not add extra logs or ornaments such as pine cones, vermiculite or rock wool. Using these added items can cause soot-ing. Do not add lava rock around base. Rock and debris could fall into control area of fireplace.
7. To prevent creation of soot, follow instructions in *Cleaning and Maintenance*, page 25.
8. Before using furniture polish, wax, carpet cleaner or similar products, turn heater off. If heated, vapors from these products may create a white powder residue within burner box or on adjacent walls or furniture.
9. This fireplace needs fresh air ventilation to run properly. This fireplace has an Oxygen Depletion Sensing (ODS) safety shutoff system. The ODS shuts down the fire-place if enough fresh air is not available. See *Air for Combustion and Ventilation*, page 7. If fireplace keeps shutting off, see *Troubleshooting*, page 26.
10. Do not run fireplace
 - where flammable liquids or vapors are used or stored
 - under dusty conditions
11. Do not use this fireplace to cook food or burn paper or other objects.
12. Do not use fireplace if any part has been exposed to or under water. Immediately call a qualified service technician to in-spect fireplace and to replace any part of control system and any gas control which has been under water.
13. Do not operate fireplace if any log is broken. Do not operate fireplace if a log is chipped (dime-sized or larger).
14. Turn fireplace off and let cool before servicing. Only a qualified service person should service and repair fireplace.
15. Operating fireplace above elevations of 4,500 feet could cause pilot outage.
16. To prevent performance problems in propane/LP units, do not use propane/LP fuel tanks of less than 100 lbs. capacity (propane/LP units only).
17. Provide adequate clearances around air openings.

LOCAL CODES

Install and use fireplace with care. Follow all local codes. In the absence of local codes, use the latest edition of *The National Fuel Gas Code ANSI Z223.1/NFPA 54**.

*Available from:

American National Standards Institute, Inc.
1430 Broadway
New York, NY 10018

National Fire Protection Association, Inc.
Batterymarch Park
Quincy, MA 02269

Note: Where listed vented decorative logs are re-quired, thermostat operation is not permitted.

State of Massachusetts: The installation must be made by a licensed plumber or gas fitter in the Commonwealth of Massachusetts.

Sellers of unvented propane or natural gas-fired supplemental room heaters shall provide to each purchaser a copy of 527 CMR 30 upon sale of the unit.

Vent-free gas products are prohibited for bedroom and bathroom installation in the Commonwealth of Massachusetts.

PRODUCT IDENTIFICATION

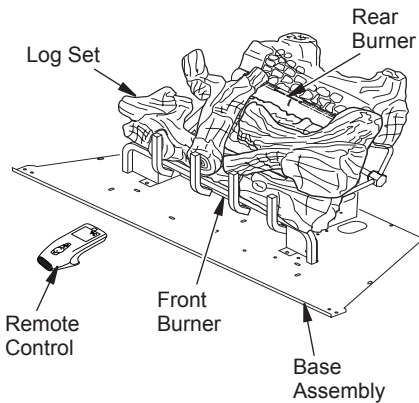


Figure 1 - Log Base Assembly

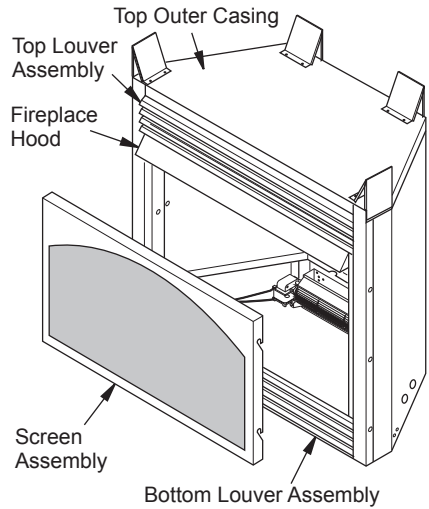


Figure 2 - Fireplace

UNPACKING

CAUTION: Do not remove data plates attached to heater base assembly. The data plates contain important warranty and safety information.

1. With utility knife, cut carton all the way around above staples on bottom tray. Lift carton off of heater. Remove packing. *Note: Hood is located on top of fireplace in a carton.*

2. Locate one screw above top left corner of fireplace screen. Remove and discard screw. Lift fireplace screen up and pull out to remove.
3. Remove protective packaging applied to logs, log base assembly and fireplace.
4. Check heater for any shipping damage. If heater is damaged call FMI PRODUCTS, LLC at 1-866-328-4537 for replacement parts before returning to dealer.

PRODUCT FEATURES

OPERATION

This vent-free fireplace is clean burning. It requires no outside venting. There is no heat loss out a vent or up a chimney. Heat is generated by both realistic flames and glowing embers. When used without blower, fireplace requires no electricity making it ideal for emergency backup heat.

SAFETY DEVICE

This fireplace has a pilot with an Oxygen Depletion Sensing (ODS) safety shutoff system. ODS/pilot is a required feature for vent-free room heaters. ODS/pilot system shuts off fireplace if there is not enough fresh air.

IGNITION SYSTEM

This fireplace has an electronic ignitor to light heater fuel supply.

REMOTE CONTROL

This fireplace is equipped with a thermostat remote control. Remote can also be used manually. Use this remote to control temperature and flame height.

LOCATING FIREBOX

PLANNING

Plan where you will install firebox. This will save time and money later when you install your firebox. Before installation, consider the following:

1. Where firebox will be located. Allow for wall and ceiling clearances (see *Installation Clearances*, page 10).

2. Everything needed to complete installation.
3. These models CANNOT be installed in a bedroom unless maximum Btu rating of installed vent-free log set is less than 10,000 Btu/hr.
4. Proper air for combustion and ventilation (page 7).

PRODUCT SPECIFICATIONS

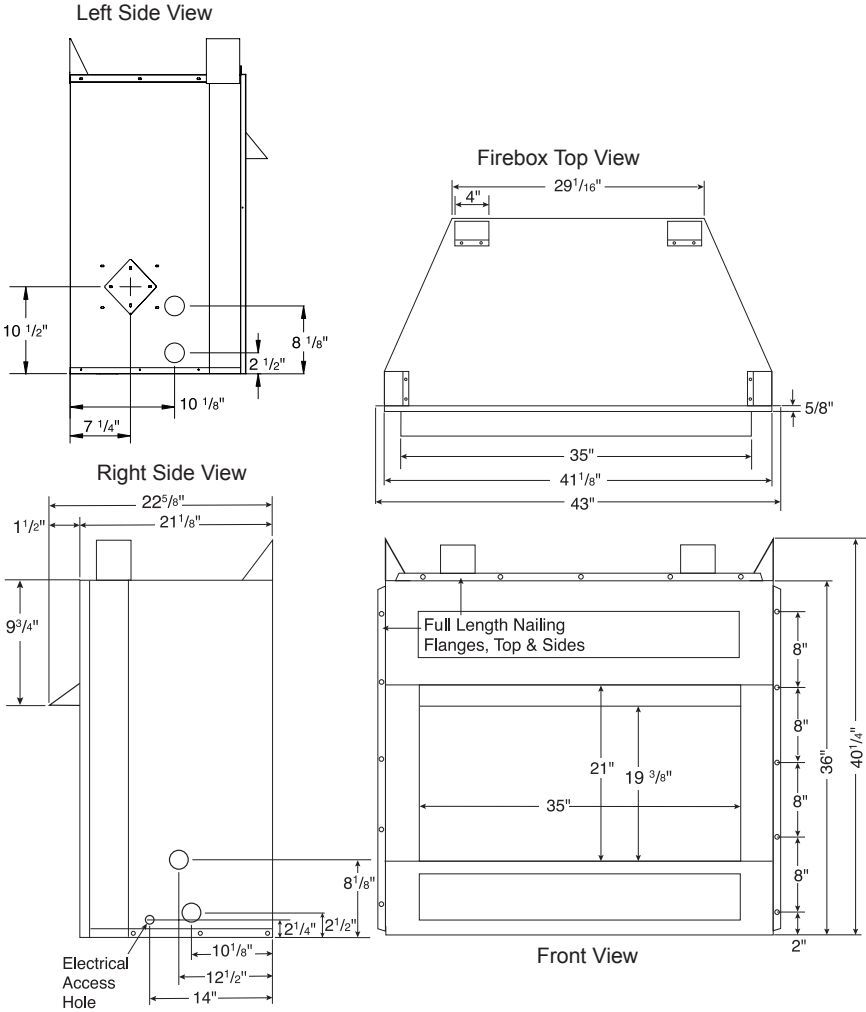


Figure 3 - Firebox Dimensions

AIR FOR COMBUSTION AND VENTILATION

⚠ WARNING: This heater shall not be installed in a room or space unless the required volume of indoor combustion air is provided by the method described in the *National Fuel Gas Code, ANSI Z223.1/NFPA 54, the International Fuel Gas Code, or applicable local codes. Read the following instructions to insure proper fresh air for this and other fuel-burning appliances in your home.*

Today's homes are built more energy efficient than ever. New materials, increased insulation and new construction methods help reduce heat loss in homes. Home owners weather strip and caulk around windows and doors to keep cold air out and warm air in. During heating months, home owners want their homes as airtight as possible.

While it is good to make your home energy efficient, your home needs to breathe. Fresh air must enter your home. All fuel-burning appliances need fresh air for proper combustion and ventilation.

Exhaust fans, fireboxes, clothes dryers and fuel burning appliances draw air from house to operate. You must provide adequate fresh air for these appliances. This will insure proper venting of vented fuel-burning appliances.

PROVIDING ADEQUATE VENTILATION

The following are excerpts from *National Fuel Gas Code, ANSI Z223.1/NFPA 54, Air for Combustion and Ventilation*.

All spaces in homes fall into one of these three following ventilation classifications:

1. Unusually Tight Construction
2. Unconfined Space
3. Confined Space

The information on pages 7 through 9 will help you classify your space and provide adequate ventilation.

Unusually Tight Construction

The air that leaks around doors and windows may provide enough fresh air for combustion and ventilation. However, in buildings of unusually tight construction, you must provide additional fresh air.

Unusually tight construction is defined as construction where:

- a. walls and ceilings exposed to the outside atmosphere have a continuous water vapor retarder with a rating of one perm (6×10^{-11} kg per pa-sec- m^2) or less with openings gasketed or sealed and
- b. weather stripping has been added on openable windows and doors and
- c. caulking or sealants are applied to areas such as joints around window and door frames, between sole plates and floors, between wall-ceiling joints, between wall panels, at penetrations for plumbing, electrical and gas lines and at other openings.

If your home meets all of the three criteria above, you must provide additional fresh air. See [Ventilation Air From Outdoors](#), page 9.

If your home does not meet all of the three criteria above, proceed to [Determining Fresh-Air Flow for Heater Location](#), page 8.

Confined and Unconfined Space

The *National Fuel Gas Code, ANSI Z223.1/NFPA 54* defines a confined space as a space whose volume is less than 50 cubic feet per 1,000 Btu per hour (4.8 m^3 per kw) of the aggregate input rating of all appliances installed in that space and an unconfined space as a space whose volume is not less than 50 cubic feet per 1,000 Btu per hour (4.8 m^3 per kw) of the aggregate input rating of all appliances installed in that space. Rooms communicating directly with the space in which the appliances are installed*, through openings not furnished with doors, are considered a part of the unconfined space.

* Adjoining rooms are communicating only if there are doorless passageways or ventilation grills between them.

AIR FOR COMBUSTION AND VENTILATION

Continued

DETERMINING FRESH-AIR FLOW FOR HEATER LOCATION

Determining if You Have a Confined or Unconfined Space

Use this work sheet to determine if you have a confined or unconfined space.

Space: Includes the room in which you will install heater plus any adjoining rooms with doorless passageways or ventilation grills between the rooms.

1. Determine the volume of the space (length x width x height).

Length x Width x Height = _____ cu. ft.
(volume of space)

Example: Space size 22 ft. (length) x 18 ft. (width) x 8 ft. (ceiling height) = 3168 cu. ft. (volume of space)

If additional ventilation to adjoining room is supplied with grills or openings, add the volume of these rooms to the total volume of the space.

2. Multiply the space volume by 20 to determine the maximum Btu/Hr the space can support.

_____ (volume of space) x 20 = (Maximum Btu/Hr the space can support)

Example: 3168 cu. ft. (volume of space) x 20 = 63,360 (maximum Btu/Hr the space can support)

3. Add the Btu/Hr of all fuel burning appliances in the space.

Vent-free fireplace _____ Btu/Hr
Gas water heater* _____ Btu/Hr
Gas furnace _____ Btu/Hr
Vented gas heater _____ Btu/Hr
Gas fireplace logs _____ Btu/Hr
Other gas appliances* _____ + Btu/Hr
Total = _____ Btu/Hr

* Do not include direct-vent gas appliances. Direct-vent draws combustion air from the outdoors and vents to the outdoors.

Example:

Gas water heater 40,000 Btu/Hr
Vent-free fireplace + 39,000 Btu/Hr
Total = 79,000 Btu/Hr

4. Compare the maximum Btu/Hr the space can support with the actual amount of Btu/Hr used.

_____ Btu/Hr (maximum the space can support)

_____ Btu/Hr (actual amount of Btu/Hr used)

Example: 63,360 Btu/Hr (maximum the space can support)

79,000 Btu/Hr (actual amount of Btu/Hr used)

The space in the above example is a confined space because the actual Btu/Hr used is more than the maximum Btu/Hr the space can support. You must provide additional fresh air. Your options are as follows:

A. Rework worksheet, adding the space of an adjoining room. If the extra space provides an unconfined space, remove door to adjoining room or add ventilation grills between rooms. See Ventilation Air From Inside Building, page 9.

B. Vent room directly to the outdoors. See Ventilation Air From Outdoors, page 9.

C. Install a lower Btu/Hr fireplace, if lower Btu/Hr size makes room unconfined.

If the actual Btu/Hr used is less than the maximum Btu/Hr the space can support, the space is an unconfined space. You will need no additional fresh air ventilation.

⚠ WARNING: If the area in which the heater may be operated does not meet the required volume for indoor combustion air, combustion and ventilation air shall be provided by one of the methods described in the *National Fuel Gas Code, ANSI Z223.1/NFPA 54, the International Fuel Gas Code, or applicable local codes.*

AIR FOR COMBUSTION AND VENTILATION

Continued

VENTILATION AIR

Ventilation Air From Inside Building

This fresh air would come from an adjoining unconfined space. When ventilating to an adjoining unconfined space, you must provide two permanent openings: one within 12" of the ceiling and one within 12" of floor on wall connecting two spaces (see options 1 and 2, Figure 4). You can also remove door into adjoining room (see option 3, Figure 3). Follow the *National Fuel Gas Code, ANSI Z223.1/NFPA 54, Air for Combustion and Ventilation* for required size of ventilation grills or ducts.

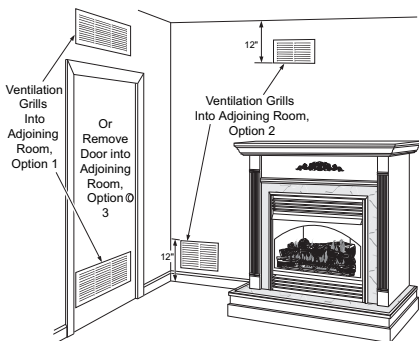


Figure 4 - Ventilation Air from Inside Building

Ventilation Air From Outdoors

Provide extra fresh air by using ventilation grills or ducts. You must provide two permanent openings: one within 12" of the ceiling and one within 12" of the floor. Connect these items directly to the outdoors or spaces open to the outdoors. These spaces include attics and crawl spaces. Follow the *National Fuel Gas Code, ANSI Z223.1/NFPA 54, Air for Combustion and Ventilation* for required size of ventilation grills or ducts.

IMPORTANT: Do not provide openings for inlet or outlet air into attic if attic has a thermostat-controlled power vent. Heated air entering the attic will activate the power vent.

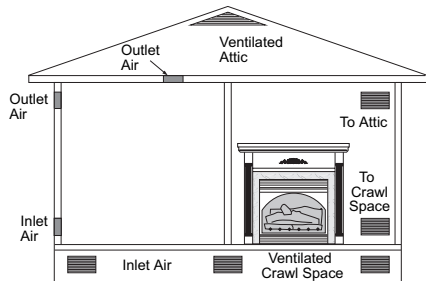


Figure 5 - Ventilation Air from Outdoors

INSTALLATION

NOTICE: This heater is intended for use as supplemental heat. Use this heater along with your primary heating system. Do not install this heater as your primary heat source. If you have a central heating system, you may run system's circulating blower while using heater. This will help circulate the heat throughout the house. In the event of a power outage, you can use this heater as your primary heat source.

WARNING: A qualified service person must install fireplace. Follow all local codes.

WARNING: Never install the fireplace

- in a bedroom or bathroom
- in a recreational vehicle
- where curtains, furniture, clothing or other flammable objects are less than 36" from the top and 42" from front of heater. For side clearances see Figure 6, page 10
- in high traffic areas
- in windy or drafty areas

INSTALLATION

Continued

CAUTION: This fireplace creates warm air currents. These currents move heat to wall surfaces next to fireplace. Installing fireplace next to vinyl or cloth wall coverings or operating heater where impurities (such as, but not limited, to tobacco smoke, aromatic candles, cleaning fluids, oil or kerosene lamps, etc.) in the air exist, may discolor walls or cause odors.

Note: Your fireplace is designed to be used in zero clearance installations. Wall or framing material can be placed directly against any exterior surface on the rear, sides or top of your fireplace, except where standoff spacers are integrally attached. If standoff spacers are attached to your fireplace, these spacers can be placed directly against wall or framing materials.

Use dimensions shown for rough openings to create easiest installation. See *Built-In Firebox Installation*, page 11.

IMPORTANT: Vent-free heaters add moisture to air. Although this is beneficial, installing fireplace in rooms without enough ventilation air may cause mildew to form from too much moisture. See *Air for Combustion and Ventilation*, page 7.

IMPORTANT: Make sure fireplace is level. If fireplace is not level, log set will not work properly.

CHECK GAS TYPE

Use correct gas type (natural or propane/LP) for your fireplace. If your gas supply is not correct, do not install fireplace. Call dealer where you bought fireplace for proper type fireplace.

WARNING: This appliance is equipped for either natural gas or propane/LP gas but not both. Gas type is indicated on the rating plate. Field conversion is not permitted.

INSTALLATION CLEARANCES

WARNING: Maintain the minimum clearances. If you can, provide greater clearances from floor, ceiling and adjoining wall.

Carefully follow the instructions below. This will ensure safe installation.

Minimum Wall and Ceiling Clearances (see Figure 6)

A. Clearances from the side of the fireplace cabinet to any combustible material and wall should follow diagram in Figure 6.

Example: The face of a mantel, bookshelf, etc. is made of combustible material and protrudes 3 1/2" from the wall. This combustible material must be 4" from the side of the fireplace cabinet (see Figure 6).

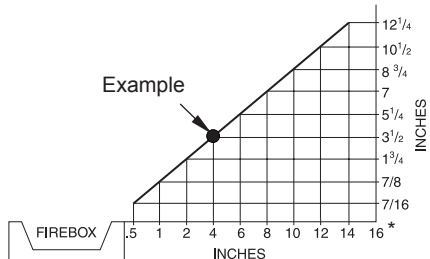
B. Clearances from top of firebox opening to ceiling should not be less than 42".

C. When firebox is installed on carpeting or other combustible material, other than wood flooring, firebox should be installed on a metal or wood panel extending full width and depth of the enclosure.

D. Clearances from bottom of firebox to floor is 0".

These fireboxes can be installed as freestanding units against a wall with approved, optional cabinet mantels (see *Accessories*, page 31) or as a built-in unit. Clearances are the same for either installation method.

CAUTION: Do not install the firebox directly on carpet or vinyl.



*Minimum 16" from Side Wall

Figure 6 - Minimum Clearance for Combustible to Wall

INSTALLATION

Continued

Mantel Clearances for Built-In Installation

If placing custom mantel above built-in firebox, you must meet minimum allowable clearance between mantel shelf and top of firebox opening shown in Figure 7. These are minimum allowable mantel clearances for a safe installation. Use larger clearances wherever possible to minimize heating of objects and materials placed on mantel.

CAUTION: Do not allow vent-free gas log heater to touch or extend beyond fireplace screen.

NOTICE: Surface temperatures of adjacent walls and mantels become hot during operation. Walls and mantels above firebox may become hot to the touch. If installed properly, these temperatures meet the requirement of the national product standard. Follow all minimum clearances shown in this manual.

NOTICE: If your installation does not meet the minimum clearances shown, you must do one of the following:

- raise the mantel to an acceptable height
- remove the mantel

BUILT-IN FIREBOX INSTALLATION

Built-in installation of this firebox involves installing firebox into a framed-in enclosure. This makes front of firebox flush with wall. Optional brass trim accessories are available (see [Accessories](#), page 31). Brass trim will extend past sides of firebox approximately 1/2". This will cover rough edges of wall opening. If installing a mantel above firebox, you must follow clearances shown in Figure 6, page 10. Follow instructions below to install firebox in this manner.

1. Frame in rough opening. Firebox framing should be constructed of 2 x 4 lumber or heavier. Use dimensions in Table 1 and rough opening layout in Figure 8, page 12. Adjust framing so that firebox flushes with finished wall surface. If installing in a corner, use dimensions in Figures 8 and 9, page 12 for rough opening.

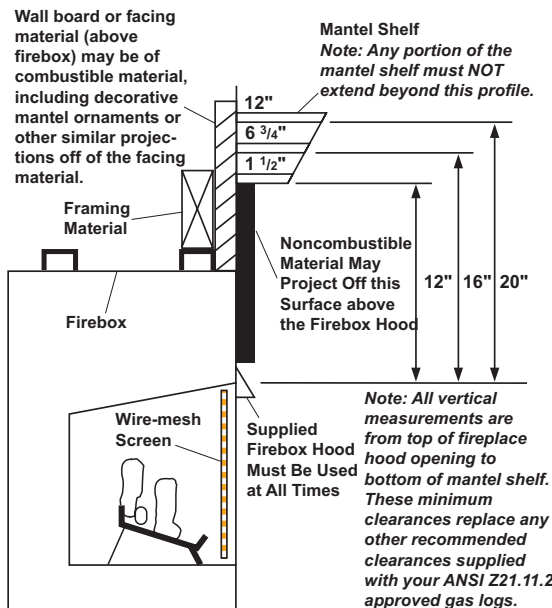


Figure 7 - Minimum Mantel Clearances for Built-In Installation

INSTALLATION

Continued

- Install gas piping to firebox location. See [Installing Gas Piping to Fireplace Location](#) on page 13 and [Connecting Fireplace to Gas Supply](#), page 15.

IMPORTANT: If installing blower accessory (circulating models with louvers only), see [Hard-Wiring Firebox](#), page 19.

- Carefully set firebox in front of rough opening with back of firebox inside wall opening. **IMPORTANT:** If installing a perimeter trim kit, see instructions included with trim accessory. You must install shoulder screws from trim kit now.
- Carefully insert firebox into rough opening.
- Attach firebox to wall studs using nails or wood screws through holes in nailing flange (see Figure 10).
- If using an optional perimeter trim kit, install the trim after final finishing and/or painting of wall. See instructions included with trim accessory for attaching trim.
- Install and properly test gas log heater. Follow installation instructions included with the vent-free gas log heater that is being installed.

IMPORTANT: When finishing your firebox, combustible materials such as wall board, gypsum board, sheet rock, drywall, plywood, etc. may be butted up next to the sides and top of the firebox. Combustible materials should never overlap the firebox front facing.

⚠ WARNING: Do not allow any combustible materials to overlap the firebox front facing.

IMPORTANT: Noncombustible materials such as brick, tile, etc. may overlap front facing, but should never cover any necessary openings like louvered slots.

⚠ WARNING: Do not allow non-combustible materials to cover any necessary openings like louvered slots.

⚠ WARNING: Use only noncombustible mortar or adhesives when overlapping the front facing with noncombustible facing material.

Rough Opening Dimensions for Built-in Installation

Front Width (Inside to Inside)	Height	Depth (Minimum)
41 1/2"	40 1/2"	20 3/4"

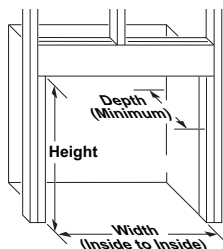


Figure 8 - Rough Opening for Installing in Wall

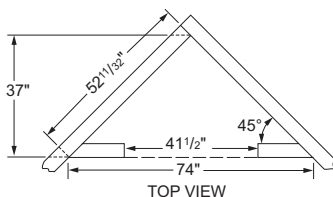


Figure 9 - Rough Opening for Installing in Corner Wall

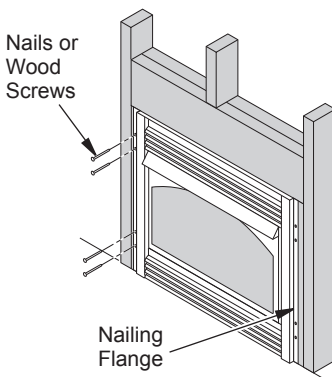


Figure 10 - Attaching Firebox to Wall Studs

INSTALLATION

Continued

INSTALLING FIREBOX USING OPTIONAL ACCESSORY MANTELS

⚠ WARNING: A qualified service person must install firebox. Follow all local codes.

This firebox may be installed using the corner or cabinet mantel with hearth base accessories against a wall in your home. A trim kit is included with mantel accessories (see [Accessories](#), page 31).

1. Assemble cabinet mantel, hearth base, and trim accessories. Assembly instructions are included with each accessory.
2. Install gas piping to firebox location. See [Installing Gas Piping to Fireplace Location](#). You may have to cut a hole in the floor or wall to run gas line to firebox. Make sure to locate access hole so it is covered by mantel/base when installed.
3. Place hearth base against wall at installation location. Cut an access hole in hearth top to run flexible gas line to firebox (see Figure 11). Make sure to locate access hole so cabinet mantel will cover it when installed.

Note: You can secure base to floor using wood screws. Countersink screw heads and putty over.

4. Route flexible gas line through access hole in hearth base.
5. Center cabinet mantel on hearth base (see Figure 12). Make sure mantel is flush against wall.
6. Install trim kit furnished with mantel. See instruction sheet included with mantel.
7. Carefully insert firebox into cabinet mantel. Be careful not to scratch firebox, mantel, base, etc. when installing (see Figure 13).

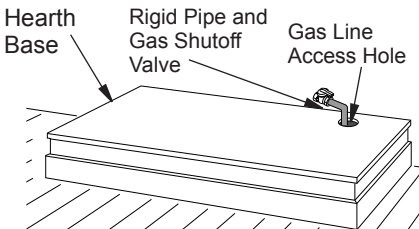


Figure 11 - Placing Hearth Base Accessory Against Wall

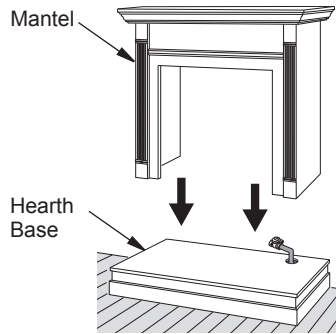


Figure 12 - Center Mantel on Hearth Base

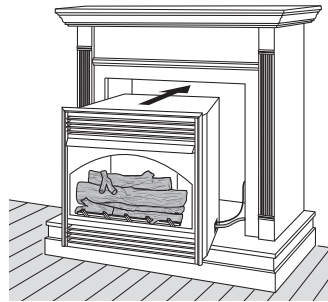


Figure 13 - Inserting Firebox Into Cabinet Mantel (Model May Vary From Illustration)

INSTALLING GAS PIPING TO FIREPLACE LOCATION

⚠ WARNING: This appliance requires a 1/2" NPT (National Pipe Thread) inlet connection to the pressure regulator.

⚠ WARNING: A qualified service person must connect fireplace to gas supply. Follow all local codes.

⚠ CAUTION: Never connect propane/LP fireplace directly to the propane/LP supply. This fireplace requires an external regulator (not supplied). Install the external regulator between the fireplace and propane/LP supply.

INSTALLATION

Continued

⚠ WARNING: Never connect natural gas fireplace to private (non-utility) gas wells. This gas is commonly known as wellhead gas.

Installation Items Needed

Before installing fireplace, make sure you have the items listed below.

- external regulator for propane/LP unit only (supplied by installer)
- piping (check local codes)
- sealant (resistant to propane/LP gas)
- equipment shutoff valve *
- test gauge connection *
- sediment trap (optional)
- tee joint
- pipe wrench
- approved flexible gas line with gas connector (if allowed by local codes) (not provided)

* A equipment shutoff valve with 1/8" NPT tap is an acceptable alternative to test gauge connection. Purchase the optional equipment shutoff valve from your dealer.

For propane/LP units, the installer must supply an external regulator. The external regulator will reduce incoming gas pressure. You must reduce incoming gas pressure to between 11" and 14" of water. If you do not reduce incoming gas pressure, heater regulator damage could occur. Install external regulator with the vent pointing down as shown in Figure 14. Pointing the vent down protects it from freezing rain or sleet.

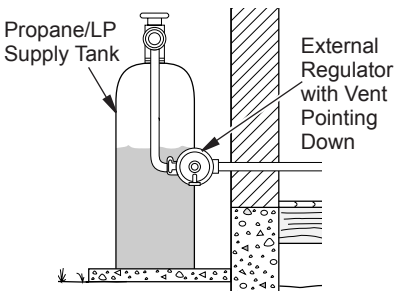


Figure 14 - External Regulator With Vent Pointing Down

⚠ CAUTION: Use only new, black iron or steel pipe. Internally-tinned copper tubing may be used in certain areas. Check your local codes. Use pipe of 1/2" diameter or greater to allow proper gas volume to fireplace. If pipe is too small, undue loss of volume will occur.

Installation must include an equipment shutoff valve, union and plugged 1/8" NPT tap. Locate NPT tap within reach for test gauge hook up. NPT tap must be upstream from fireplace (see Figure 15).

IMPORTANT: Install equipment shutoff valve in an accessible location. The equipment shutoff valve is for turning on or shutting off the gas to the appliance.

Check your building codes for any special requirements for locating equipment shutoff valve to fireplaces.

Apply pipe joint sealant lightly to male NPT threads. This will prevent excess sealant from going into pipe. Excess sealant in pipe could result in clogged fireplace valves. Never use sealant on flare threads.

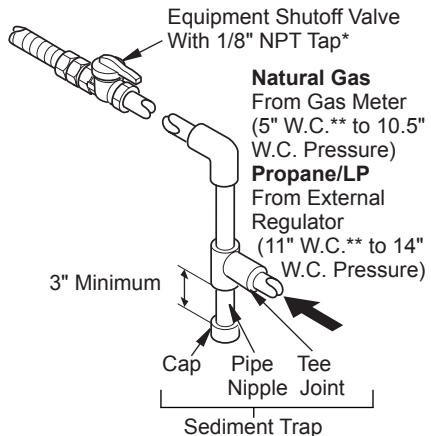


Figure 15 - Gas Connection

* Purchase the optional shutoff valve from your dealer.

** Minimum inlet pressure for purpose of input adjustment.

INSTALLATION

Continued

⚠ WARNING: Use pipe joint sealant that is resistant to liquid petroleum (LP) gas.

We recommend that you install a sediment trap in supply line as shown in Figure 15, page 14. Locate sediment trap where it is within reach for cleaning. Install in piping system between fuel supply and fireplace. Locate sediment trap where trapped matter is not likely to freeze. A sediment trap traps moisture and contaminants. This keeps them from going into fireplace gas controls. If sediment trap is not installed or is installed wrong, fireplace may not run properly.

CONNECTING FIREPLACE TO GAS SUPPLY

Installation Items Needed

- 5/16" hex socket wrench or nut-driver
 - Phillips screwdriver
 - sealant (resistant to propane/LP gas, not provided)
1. Remove fireplace screen. Remove one screw that holds fireplace screen in place for shipping. This screw is located near top left side of screen. Discard screw. Lift fireplace screen up and pull out to remove.
 2. Remove screws that attach log base assembly to fireplace (see Figure 16). Carefully lift up log base assembly and remove from fireplace (see Figure 16).

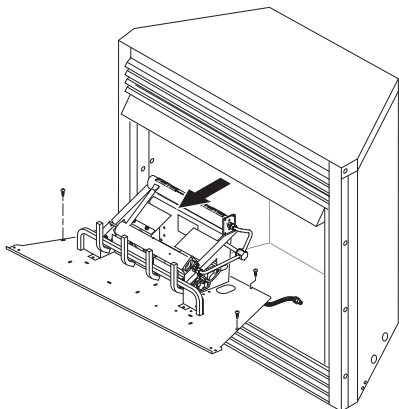


Figure 16 - Removing Log Base Assembly From Fireplace

Note: If adding the G8007 series brick liner accessory, install it now. Follow instructions in G8007 accessory kit.

⚠ CAUTION: Do not pick up log base assembly by burner. This could damage burner. Only handle base by grates.

3. Route gas line (provided by installer) from equipment shutoff valve to fireplace. Route flexible gas supply line through one of the access holes.

NOTICE: Most building codes do not permit concealed gas connections. A flexible gas line is provided to allow accessibility from the fireplace (see Figure 17). The flexible gas supply line connection to the equipment shutoff valve should be accessible.

4. Attach flexible gas line to gas supply (see Figure 17). Check tightness of flexible gas line attached to gas regulator of fireplace (see Figure 17).
5. Check all gas connections for leaks. See *Checking Gas Connections*, page 16.
6. Replace log base assembly back into fireplace. Feed flexible gas line into fireplace base area while replacing log base assembly. Make sure the entire flexible gas line is in fireplace base area. Reattach log base assembly to fireplace with screws removed in step 2.

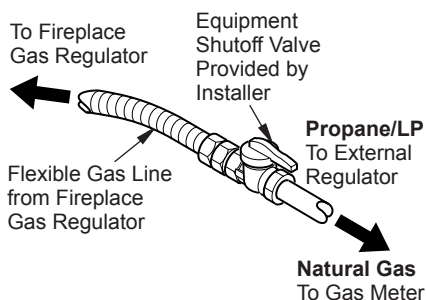


Figure 17 - Attaching Flexible Gas Lines Together

INSTALLATION

Continued

CHECKING GAS CONNECTIONS

⚠ WARNING: Test all gas piping and connections, internal and external to unit, for leaks after installing or servicing. Correct all leaks at once.

⚠ WARNING: Never use an open flame to check for a leak. Apply a noncorrosive leak detection fluid to all joints. Bubbles forming show a leak. Correct all leaks at once.

⚠ CAUTION: Make sure external regulator has been installed between propane/LP supply and fireplace. See guidelines under Connecting Fireplace to Gas Supply, page 15.

PRESSURE TESTING GAS SUPPLY PIPING SYSTEM

Test Pressures In Excess Of 1/2 PSIG (3.5 kPa)

1. Disconnect fireplace with its main gas valve (control valve) and equipment shutoff valve from gas supply piping system. Pressures in excess of 1/2 psig will damage fireplace regulator.
2. Cap off open end of gas pipe where equipment shutoff valve was connected.
3. Pressurize supply piping system by either opening propane/LP supply tank valve for propane/LP gas or opening main gas valve located on or near gas meter for natural gas or using compressed air.
4. Check all joints of gas supply piping system. Apply noncorrosive leak detection fluid to all joints. Bubbles forming show a leak.
5. Correct all leaks at once.
6. Reconnect fireplace and equipment shutoff valve to gas supply. Check reconnected fittings for leaks.

Test Pressures Equal To or Less Than 1/2 PSIG (3.5 kPa)

1. Close equipment shutoff valve (see Figure 18).
2. Pressurize supply piping system by either opening propane/LP supply tank valve for propane/LP gas or opening main gas valve located on or near gas meter for natural gas or using compressed air.
3. Check all joints from gas meter to equipment shutoff valve for natural gas or propane/LP supply to equipment shutoff valve for propane/LP (see Figures 19 and 20). Apply noncorrosive leak detection fluid to all joints. Bubbles forming show a leak.
4. Correct all leaks at once.

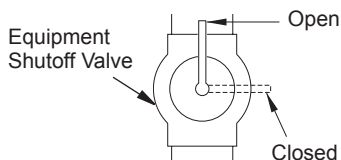


Figure 18 - Equipment Shutoff Valve

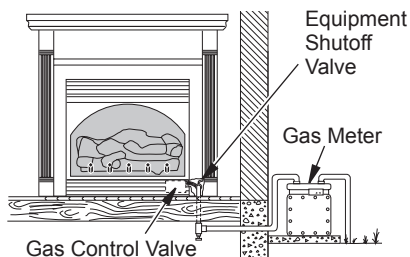


Figure 19 - Checking Gas Joints for Natural Gas

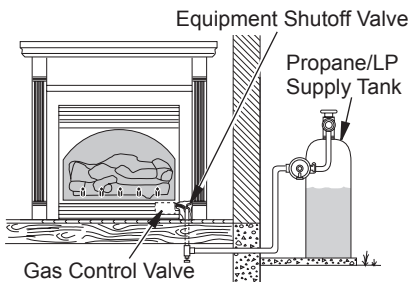


Figure 20 - Checking Gas Joints for Propane/LP Gas

INSTALLATION

Continued

PRESSURE TESTING FIREPLACE GAS CONNECTIONS

1. Open equipment shutoff valve (see Figure 18, page 16).
2. Open main gas valve located on or near gas meter for natural gas or open propane/LP supply tank valve.
3. Make sure control knob of fireplace is in the OFF position.
4. Check all joints from equipment shutoff valve to gas control valve (see Figures 19 or 20, page 16). Apply noncorrosive leak detection fluid to all joints. Bubbles forming show a leak.
5. Correct all leaks at once.
6. Light fireplace (see *Operation*, page 20.) Check all other internal joints for leaks.
7. Turn off fireplace (see *To Turn Off Gas to Appliance*, page 21).

INSTALLING BATTERIES IN REMOTE CONTROL AND RECEIVER

⚠ WARNING: Make sure your selector switch is in OFF position before installing or changing batteries in your hand-held remote or receiver.

Hand-Held Remote Control

The hand-held remote control uses 3 AAA batteries (not included).

To install batteries:

1. Remove battery housing cover from back of hand-held remote (see Figure 21).
2. Install or replace batteries.

Battery Housing Cover

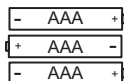
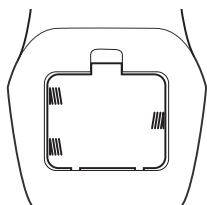


Figure 21 - Battery Install Hand-Held Remote Control

3. Replace battery housing cover.

When batteries are installed, the "little house" icon with current room temperature will be displayed (see Figure 22). This icon will always show in the control window as long as the batteries have power.

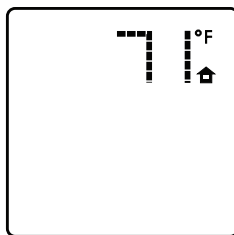


Figure 22 - Remote Display

Remote Receiver

The remote receiver uses 4 AA batteries (not included). To install or replace batteries:

1. Open lower louver to gain access to receiver.
2. Remove screws from cover plate.
3. Remove battery housing cover.
4. Install or replace batteries.
5. Replace battery housing cover.
6. Replace cover plate.

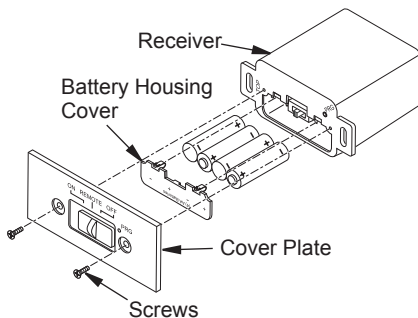


Figure 23 - Battery Install Remote Control Receiver

INSTALLATION

Continued

INSTALLING LOGS

⚠ WARNING: Failure to position the parts in accordance with these diagrams or failure to use only parts specifically approved with this heater may result in property damage or personal injury.

⚠ CAUTION: Do not remove the data plates attached to the heater base assembly. The data plates contain important safety and warranty information.

It is very important to install these logs exactly as instructed. Do not modify logs. Only use logs supplied with heater.

1. Place bottom log in center of the base assembly as shown in Figure 24.
2. Rest rear log in back corner sections of base assembly as shown in Figure 24. Make sure log is completely vertical and not leaning in toward burner where the flame will touch the log.
3. Position front right log against right side of grate prongs (see Figure 24).
4. Position front left log against left side of grate prongs (see Figure 24).

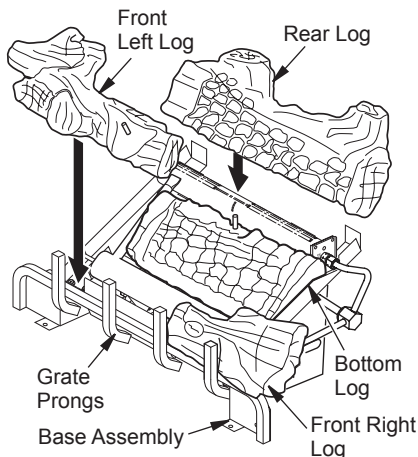


Figure 24 - Installing Bottom Logs

5. Place middle right log over front right and bottom logs as shown in Figure 25. Be sure hole in middle right log seats over pin in bottom log.
6. Place middle left log over front left and bottom logs as show in Figure 25. Be sure hole in middle left log seats over pin in front left log.

⚠ WARNING: You must operate this fireplace with the fireplace screen in place. Make sure fireplace screen is in place before running fireplace.

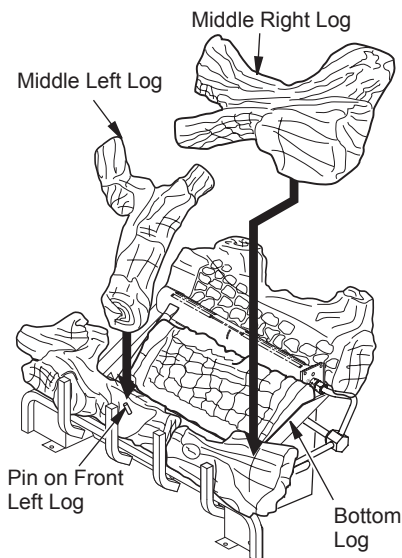


Figure 25 - Installing Top Logs

INSTALLATION

Continued

HARD-WIRING FIREBOX

NOTICE: A qualified electrician must connect electrical wiring to duplex outlet for built-in installation. Follow all local codes. In absence of local codes follow *The National Electric Code ANSI/NFPA 70.*

The "Handy Box" with duplex outlet is provided in the firebox located in the lower right base area.

1. Remove screw holding duplex outlet cover to handy box. Remove duplex outlet.
2. Route electrical cable through strain relief and handy box (see Figure 26). Tighten screws on strain relief.
3. Connect electrical cable to duplex outlet. Match wire colors to those on duplex outlet. Be sure to connect the ground wire.
4. Place duplex outlet back into handy box and secure with screws. Replace outlet cover.

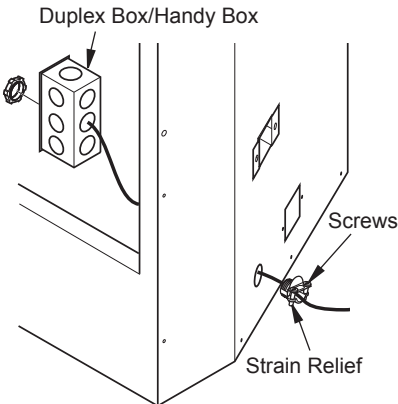
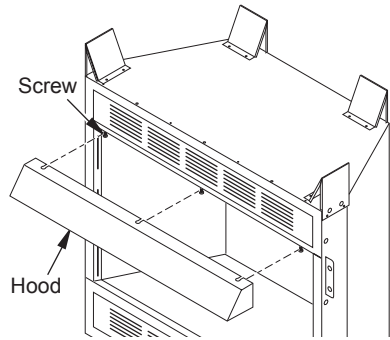


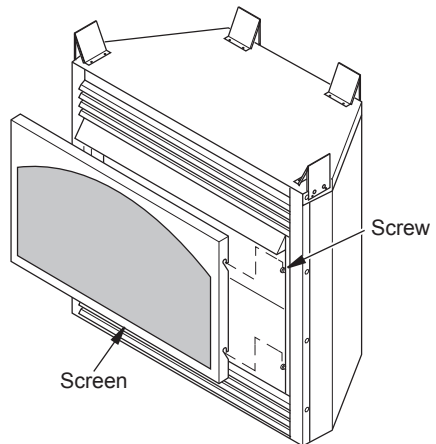
Figure 26 - Hard-Wiring Firebox

INSTALLING FIREPLACE HOOD AND SCREEN

1. Loosen screws inside top edge of firebox. Slide notches in hood over screws and tighten screws (see Figure 27).
2. Install fireplace screen by slipping notches of fireplace screen over screws on front of fireplace (see Figure 28).



**Figure 27 - Hood Placement
(Model May Vary From Illustration)**



**Figure 28 - Screen Placement
(Model May Vary From Illustration)**

OPERATION

FOR YOUR SAFETY READ BEFORE LIGHTING

⚠ WARNING: If you do not follow these instructions exactly, a fire or explosion may result causing property damage, personal injury or loss of life.

- A. This appliance has a pilot which must be lighted by hand. When lighting the pilot, follow these instructions exactly.
- B. **BEFORE LIGHTING** smell all around the appliance area for gas. Be sure to smell next to the floor because some gas is heavier than air and will settle on the floor.
WHAT TO DO IF YOU SMELL GAS
 - Do not try to light any appliance.
 - Do not touch any electric switch; do not use any phone in your building.
 - Immediately call your gas supplier from a neighbor's phone. Follow the gas supplier's instructions.
 - If you cannot reach your gas supplier, call the fire department.
- C. Use only your hand to push in or turn the gas control knob. Never use tools. If the knob will not push in or turn by hand, don't try to repair it, call a qualified service technician or gas supplier. Force or attempted repair may result in a fire or explosion.
- D. Do not use this appliance if any part has been under water. Immediately call a qualified service technician to inspect the appliance and to replace any part of the control system and any gas control which has been under water.

LIGHTING INSTRUCTIONS

⚠ WARNING: You must operate this fireplace with the fireplace screen in place. Make sure fireplace screen is installed before running fireplace.

NOTICE: During initial operation of new fireplace, burning logs will give off a paper-burning smell. Open damper or window to vent smell. This will only last a few hours.

1. STOP! Read the safety information, column 1.
2. Make sure equipment shutoff valve is fully open.
3. Set remote selector switch in OFF position.

⚠ WARNING: Burners will come on automatically within one minute when the selector switch is in the ON position after the pilot is lit.

4. Press in and turn control knob clockwise ↻ to the OFF position.
5. Wait five (5) minutes to clear out any gas. Then smell for gas, including near the floor. If you smell gas, STOP! Follow "B" in the safety information, column 1. If you don't smell gas, go to the next step.
6. Press in and turn control knob counter-clockwise ↺ to the PILOT position. Press in control knob for five (5) seconds (see Figure 29).

Note: You may be running this heater for the first time after hooking up to gas supply. If so, the control knob may need to be pressed in for 30 seconds or more. This will allow air to bleed from the gas system.

⚠ CAUTION: Do not try to adjust heating levels by using the equipment shutoff valve.

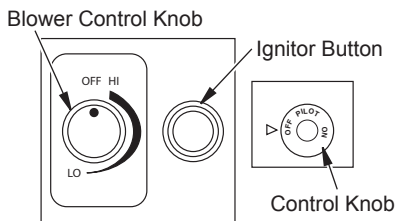


Figure 29 - Control Knob and Ignitor Button Location

OPERATION

Continued

- With control knob pressed in, press and release ignitor button. This will light pilot. The pilot is attached to the front burner. If needed, keep ignitor button pressed in until pilot lights.

Note: If pilot does not stay lit, contact a qualified service person or gas supplier for repairs. Until repairs are made, light pilot with match. To light pilot with match, see [Manual Lighting Procedure](#).

- Keep control knob pressed in for 30 seconds after lighting pilot. After 30 seconds, release control knob.

• If control knob does not pop out when released, contact a qualified service person or gas supplier for repairs.

Note: If pilot goes out, repeat steps 4 through 8.

- Slightly push in and turn control knob counterclockwise to the ON position.
- Wait one minute and switch selector switch to the ON position to light burners (see Figure 30). When using in the ON position (without remote) burners will light on high. There is no adjustment to the flames without using remote.
- To leave pilot lit and shut off burners only, turn control knob clockwise to the PILOT position, or use remote control manual OFF button, or set selector switch in the OFF position.

⚠ WARNING: Make sure the selector switch is in the OFF position when you are away from home for long periods of time. Heater will come on automatically with selector switch in the ON position.

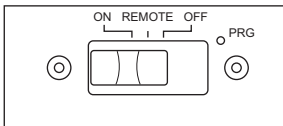


Figure 30 - Remote Selector Switch in ON Position

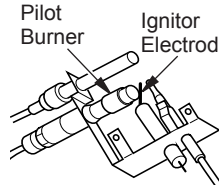


Figure 31 - Pilot (Natural)

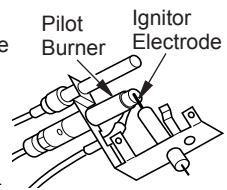


Figure 32 - Pilot (Propane/LP)

TO TURN OFF GAS TO APPLIANCE

- Turn control knob clockwise to the OFF position.
- Set selector switch in the OFF position.
- Close equipment shutoff valve (see Figure 18, page 16).

MANUAL LIGHTING PROCEDURE

- Follow steps 1 through 6 under [Lighting Instructions](#), page 20.
- Depress control knob and light pilot with match.
- Keep control knob pressed in for 30 seconds after lighting pilot. After 30 seconds, release control knob. Now follow steps 9 through 11 under [Lighting Instructions](#).

BLOWER OPERATION

⚠ WARNING: This fireplace has a three-prong, grounded electrical plug. This plug helps protect you against electrical shock. Only connect plug to a properly grounded, three-prong receptacle. Do not cut or remove the grounding prong from this plug.

Locate the blower switch by opening lower louver on fireplace. Blower switch is located at lower center inside louver door.

Note: It is safe to operate fireplace with blower turned off. However, the blower helps distribute heated air from the fireplace.

Note: Periodically check the louvers of the firebox and remove any dust, dirt or other obstructions.

OPERATION

Continued

HAND-HELD REMOTE OPERATION

BATTERIES

⚠ WARNING: Make sure your selector switch is in OFF position before installing or changing batteries in your hand-held remote or receiver.

For installing or replacing batteries in remote control or receiver, see *Installing Batteries in Remote Control and Receiver* on page 17.

Low Battery - Hand-Held Remote Control

When batteries in hand-held remote control are low, an icon will appear on display.

Low Battery - Remote Receiver

When batteries in receiver are low, no acoustic signal will be given when ON/OFF button is pressed. If batteries in receiver are low, fireplace can be switched on manually by moving remote selector switch to ON (see Figure 33).

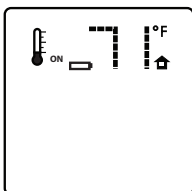


Figure 33 - Low Battery Display

FAHRENHEIT/CELSIUS INDICATOR

You can set your hand-held remote control to display the temperature in either Fahrenheit or Celsius. With remote control off, press THERMOSTAT button and MODE button at the same time. This will toggle the display from °F to °C.

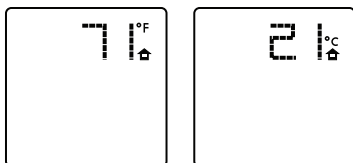


Figure 34 - Remote Control Display
Fahrenheit to Celsius

OPERATING REMOTE CONTROL

⚠ WARNING: Fireplace can turn on suddenly. Keep away from burner.

After lighting pilot, let pilot flame burn for about one minute. Slide remote selector switch to REMOTE position. You can now turn burner on and off with remote.

IMPORTANT: Do not leave selector switch in REMOTE or ON position when pilot is not lit. This will drain batteries.

When any button is pushed on remote control, LCD display will glow blue. Blue glow will go off after several seconds if no action is being taken with remote.

ON/OFF

Push ON/OFF button and burners will come on in high position (see Figure 35). An acoustic signal from the receiver confirms the command.

Push ON/OFF button again and burners will turn off. A beep from receiver confirms the command.

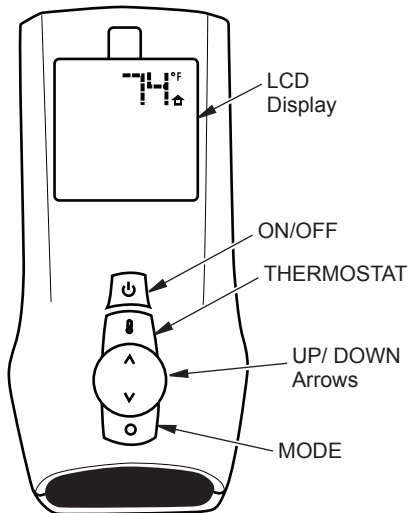


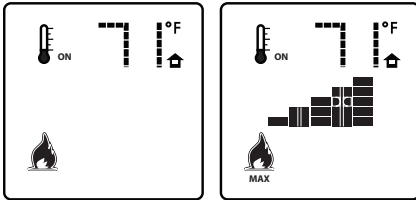
Figure 35 - Hand-Held Remote Control

OPERATION

Continued

FLAME HEIGHT

This function allows you to control height of flames through 5 levels (see Figure 36). Select manual flame height function by pressing MODE button until a flame is shown in lower left corner of display. Use UP/DOWN arrow button to set desired flame height (see Figure 35, page 22). A beep from receiver confirms the command.



MINIMUM MAXIMUM
Figure 36 - Remote Control Display of Flame Height Minimum and Maximum

ROOM THERMOSTAT

The remote control can operate as a room thermostat. The thermostat can be set to a desired temperature to control the comfort level in the room.

To activate, press THERMOSTAT button on remote control (see Figure 35, page 22). The word ON will appear to the right of temperature bulb graphic on display (see Figure 37). Use UP/DOWN arrow button to set desired room temperature. Control system will cycle fireplace on or off to maintain selected temperature.

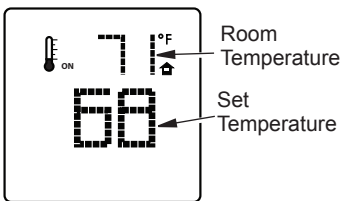


Figure 37 - Room Temperature Setting

SMART THERMOSTAT

The Smart Thermostat adjusts flame height in accordance to differences between set temperature and room temperature. As room temperature gets closer to set temperature the smart function will modulate the flame lower. As room temperature cools, it will modulate the flame higher.

To activate this function, press THERMOSTAT button until the word SMART appears to the right of temperature bulb graphic on display. Use UP/DOWN arrow button to set desired room temperature. The control system will cycle the fireplace on or off to maintain selected temperature.

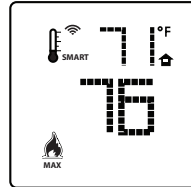


Figure 38 - Smart Thermostat Setting

CHILD SAFETY LOCK-OUT

This function lets you deactivate the remote control buttons. It is active when the lock icon is lit on the display.

To activate, press MODE button and UP arrow button at the same time. To deactivate, press again.

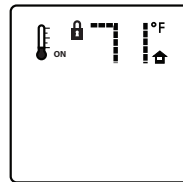


Figure 39 - Child Safety Lock-Out

REPLACING HAND-HELD REMOTE CONTROL ONLY

If your remote ever needs to be replaced you will not need to replace the receiver.

To program receiver with a new hand-held remote, insert a small pin or paper clip into hole on receiver face plate marked PRG. The receiver will beep 3 times to indicate it is ready to accept a new remote transmitter. Press the ON/OFF button on your remote and the receiver will beep 4 times to confirm it receives commands from the new remote.

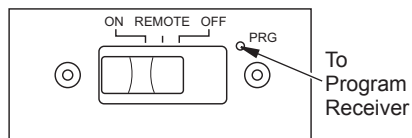


Figure 40 - Programming Remote Control to Receiver

INSPECTING BURNERS

Check pilot flame pattern and burner flame patterns often.

PILOT FLAME PATTERN

Figure 41 shows a correct pilot flame pattern. Figure 42 shows an incorrect pilot flame pattern. The incorrect pilot flame is not touching the thermocouple. This will cause the thermocouple to cool. When the thermocouple cools, the fireplace will shut down.

If pilot flame pattern is incorrect, as shown in Figure 42

- turn fireplace off (see [To Turn Off Gas to Appliance](#), page 21)
- see [Troubleshooting](#), page 26

Note: The correct pilot flame on natural gas units will have a slight curve, but flame should be blue and have no yellow or orange color.

(Pilot May Vary From Ones Shown)

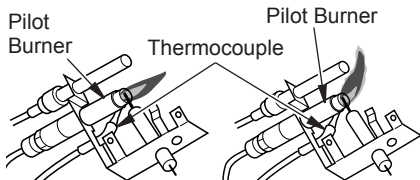


Figure 41 - Correct Pilot Flame Pattern **Figure 42 - Incorrect Pilot Flame Pattern**

MAIN BURNER

Periodically inspect all burner flame holes with the heater running. All slotted burner flame holes should be open with yellow flame present. All round burner flame holes should be open with a small blue flame present. Some burner flame holes may become blocked by debris or rust, with no flame present. If so, turn off heater and let cool. Remove blockage. Blocked burner flame holes may create soot.

FRONT BURNER FLAME PATTERN

Figure 43 shows correct front burner flame pattern. Figure 44 shows incorrect front burner flame pattern. The incorrect burner flame pattern shows yellow tipping at top of blue flame.

If front burner flame pattern is incorrect, as shown in Figure 44

- turn fireplace off (see [To Turn Off Gas to Appliance](#), page 21)
- see [Troubleshooting](#), page 26

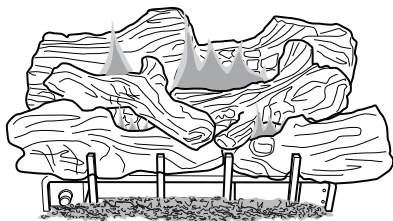


Figure 43 - Correct Burner Flame Pattern

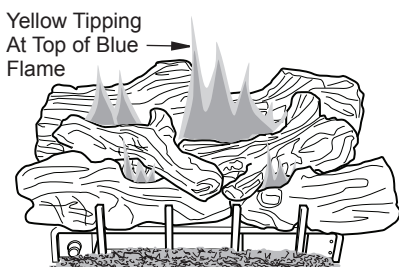


Figure 44 - Incorrect Burner Flame Pattern

CLEANING AND MAINTENANCE

⚠ WARNING: Turn off fireplace and let cool before cleaning.

⚠ CAUTION: You must keep control areas, burner and circulating air passageways of fireplace clean. Inspect these areas of fireplace before each use. Have fireplace inspected yearly by a qualified service person. Fireplace may need more frequent cleaning due to excessive lint from carpeting, bedding material, pet hair, etc.

⚠ WARNING: Failure to keep the primary air opening(s) of the burner(s) clean may result in sooting and property damage.

BURNER INJECTOR HOLDER AND PILOT AIR INLET HOLE

The primary air inlet holes allow the proper amount of air to mix with the gas. This provides a clean burning flame. Keep these holes clear of dust, dirt, lint and pet hair. Clean these air inlet holes prior to each heating season. Blocked air holes will create soot. We recommend that you clean the unit every three months during operation and have heater inspected yearly by a qualified service person.

We also recommend that you keep the burner tube and pilot assembly clean and free of dust and dirt. To clean these parts we recommend using compressed air no greater than 30 PSI. Your local computer store, hardware store or home center may carry compressed air in a can. If using compressed air in a can, please follow the directions on the can. If you don't follow directions on the can, you could damage the pilot assembly.

1. Shut off unit, including pilot. Allow unit to cool for at least thirty minutes.
2. Inspect burner, pilot and primary air inlet holes on injector holder for dust and dirt (see Figure 45).
3. Blow air through the ports/slots and holes in burner.

4. Check injector holder located at end of burner tube again. Remove any large particles of dust, dirt, lint or pet hair with a soft cloth or vacuum cleaner nozzle.
5. Blow air into primary air holes on injector holder.
6. In case any large clumps of dust have now been pushed into burner repeat steps 3 and 4.

Clean pilot assembly also. A yellow tip on pilot flame indicates dust and dirt in pilot assembly. There is a small pilot air inlet hole about two inches from where pilot flame comes out of pilot assembly (see Figure 46). With unit off, lightly blow air through air inlet hole. You may blow through a drinking straw if compressed air is not available.

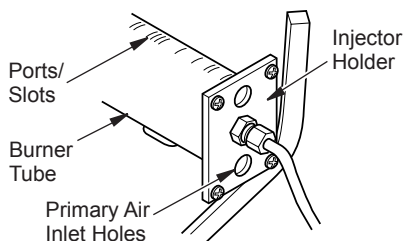


Figure 45 - Injector Holder On Outlet Burner Tube

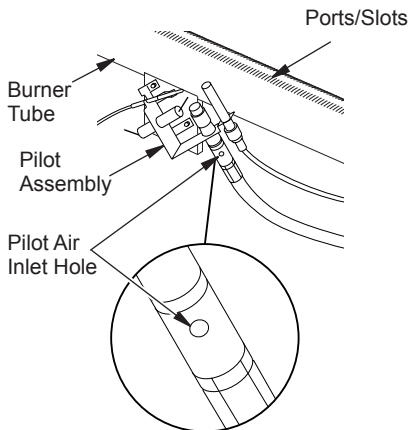


Figure 46 - Pilot Inlet Air Hole

TROUBLESHOOTING

⚠ WARNING: Turn off heater and let cool before servicing. Only a qualified service person should service and repair heater.

⚠ CAUTION: Never use a wire, needle or similar object to clean ODS/pilot. This can damage ODS/pilot unit.

Note: All troubleshooting items are listed in order of operation.

OBSERVED PROBLEM	POSSIBLE CAUSE	REMEDY
When ignitor button is pressed, there is no spark at ODS/pilot.	<ol style="list-style-type: none"> 1. Ignitor electrode not connected to ignitor cable. 2. Ignitor cable pinched or wet. 3. Broken ignitor cable. 4. Bad ignitor. 5. Ignitor electrode positioned wrong. 6. Ignitor electrode broken. 7. Battery not installed, battery power low or battery not installed correctly. 	<ol style="list-style-type: none"> 1. Reconnect ignitor cable. 2. Free ignitor cable if pinched by any metal or tubing. Keep ignitor cable dry. 3. Replace ignitor cable. 4. Replace ignitor. 5. Replace pilot assembly. 6. Replace pilot assembly. 7. Install new alkaline battery in electronic ignitor. Verify battery is installed correctly.
When ignitor button is pressed, there is spark at ODS/pilot but no ignition.	<ol style="list-style-type: none"> 1. Gas supply turned off or equipment shutoff valve closed. 2. Control knob not in PILOT position. 3. Control knob not pressed in while in PILOT position. 4. Air in gas lines when installed. 5. Depleted gas supply (propane/LP only). 6. ODS/pilot is clogged. 7. Gas regulator setting is not correct. 	<ol style="list-style-type: none"> 1. Turn on gas supply or open equipment shutoff valve. 2. Turn control knob to PILOT position. 3. Press in control knob while in PILOT position. 4. Continue holding down control knob. Repeat igniting operation until air is removed. 5. Contact local propane/LP gas company. 6. Clean ODS/pilot (see <i>Cleaning and Maintenance</i>, page 25) or replace ODS/pilot assembly. 7. Replace gas regulator.

TROUBLESHOOTING

Continued

OBSERVED PROBLEM	POSSIBLE CAUSE	REMEDY
<p>ODS/pilot lights but flame goes out when control knob is released.</p>	<ol style="list-style-type: none"> 1. Control knob not fully pressed in. 2. Control knob not pressed in long enough. 3. Equipment shutoff valve not fully open. 4. Pilot flame not touching thermocouple, which allows thermocouple to cool, causing pilot flame to go out. This problem could be caused by one or both of the following: A) Low gas pressure B) Dirty or partially clogged ODS/pilot 5. Thermocouple connection loose at control valve. 6. Thermocouple damaged. 7. Control valve damaged. 8. Safety interlock system has been triggered. 	<ol style="list-style-type: none"> 1. Press in control knob fully. 2. After ODS/pilot lights, keep control knob pressed in 30 seconds. 3. Fully open equipment shutoff valve. 4. A) Contact local natural or propane/LP gas company. B) Clean ODS/pilot (see <u>Cleaning and Maintenance</u>, page 25) or replace ODS/pilot assembly . 5. Hand tighten until snug, then tighten 1/4 turn more. 6. Replace pilot assembly. 7. Replace control valve. 8. Wait one minute for safety interlock system to reset. Repeat ignition operation.
<p>Burner does not light after ODS/pilot is lit.</p>	<ol style="list-style-type: none"> 1. Inlet gas pressure is too low. 2. Burner orifice(s) clogged. 3. Thermopile leads disconnected or improperly connected. 4. Burner will not come on in remote position. 5. Wire disconnected from gas control. 	<ol style="list-style-type: none"> 1. Contact local natural or propane/LP gas company. 2. Clean burner(s) (see <u>Cleaning and Maintenance</u>, page 25) or replace burner orifice(s). 3. Reconnect leads (see <u>Wiring Diagram</u>, page 30). 4. Replace battery in transmitter and receiver. 5. See <u>Wiring Diagram</u>, page 30.
<p>Delayed ignition of one or both burners.</p>	<ol style="list-style-type: none"> 1. Manifold pressure is too low. 2. Burner orifice(s) clogged. 3. Mislocated crossover tube. 	<ol style="list-style-type: none"> 1. Contact local natural or propane/LP gas company. 2. Clean burner(s) (see <u>Cleaning and Maintenance</u>, page 25) or replace burner orifice(s). 3. Contact qualified service person.
<p>Burner backfiring during combustion.</p>	<ol style="list-style-type: none"> 1. Burner orifice is clogged or damaged. 2. Damaged burner. 3. Gas regulator defective. 	<ol style="list-style-type: none"> 1. Clean burner (see <u>Cleaning and Maintenance</u>, page 25) or replace burner orifice(s). 2. Replace damaged burner. 3. Replace gas regulator.

TROUBLESHOOTING

Continued

OBSERVED PROBLEM	POSSIBLE CAUSE	REMEDY
Slight smoke or odor during initial operation.	<ol style="list-style-type: none"> 1. Not enough air. 2. Gas regulator defective. 3. Residues from manufacturing processes and logs curing. 	<ol style="list-style-type: none"> 1. Check burner for dirt and debris. If found, clean burner (see <i>Cleaning and Maintenance</i>, page 25). 2. Replace gas control. 3. Problem will stop after a few hours of operation.
Moisture/condensation noticed on windows.	<ol style="list-style-type: none"> 1. Not enough combustion/ventilation air. 	<ol style="list-style-type: none"> 1. Refer to <i>Air for Combustion and Ventilation</i> requirements (page 7).
Heater produces a whistling noise when burners are lit.	<ol style="list-style-type: none"> 1. Turning control knob to HI position when burners are cold. 2. Air in gas line. 3. Air passageways on heater blocked. 4. Dirty or partially clogged burner orifice(s). 	<ol style="list-style-type: none"> 1. Turn control knob to LO position and let warm up for a minute. 2. Operate burners until air is removed from line. Have gas line checked by local natural or propane/LP gas company. 3. Observe minimum installation clearances (see page 10). 4. Clean burners (see <i>Cleaning and Maintenance</i>, page 25) or replace burner orifice(s).
White powder residue forming within burner box or on adjacent walls or furniture.	<ol style="list-style-type: none"> 1. When heated, vapors from furniture polish, wax, carpet cleaners, etc. may turn into white powder residue. 	<ol style="list-style-type: none"> 1. Turn heater off when using furniture polish, wax, carpet cleaners or similar products.
Remote does not function.	<ol style="list-style-type: none"> 1. Battery is not installed. Battery power is low. 2. Wire connection loose or wire broken. 	<ol style="list-style-type: none"> 1. Replace batteries (4-AA in receiver and 3-AAA in hand set) in receiver and remote control. 2. Check wiring connections (see <i>Wiring Diagram</i>, page 30). Replace wiring harness if necessary.
Yellow flame in front burner during burner combustion.	<ol style="list-style-type: none"> 1. Not enough air. 2. Gas regulator defective. 	<ol style="list-style-type: none"> 1. Check burner(s) for dirt and debris. If found, clean burner(s) (see <i>Cleaning and Maintenance</i>, page 25). 2. Replace gas regulator.
Fireplace produces a clicking/ticking noise just after burner is lit or shut off.	<ol style="list-style-type: none"> 1. Metal expanding while heating or contracting while cooling. 	<ol style="list-style-type: none"> 1. This is normal with most heaters. If noise is excessive, contact qualified service person.

TROUBLESHOOTING

Continued

- ⚠ WARNING: If you smell gas**
- **Shut off gas supply.**
 - **Do not try to light any appliance.**
 - **Do not touch any electrical switch; do not use any phone in your building.**
 - **Immediately call your gas supplier from a neighbor's phone. Follow the gas supplier's instructions.**
 - **If you cannot reach your gas supplier, call the fire department.**

IMPORTANT: Operating fireplace where impurities in air exist may create odors. Cleaning supplies, paint, paint remover, cigarette smoke, cements and glues, new carpet or textiles, etc., create fumes. These fumes may mix with combustion air and create odors. These odors will disappear over time.

OBSERVED PROBLEM	POSSIBLE CAUSE	REMEDY
Fireplace produces unwanted odors.	<ol style="list-style-type: none"> 1. Heater burning vapors from paint, hair spray, glues, cleaners, chemicals, new carpet, etc. (See <i>IMPORTANT</i> statement above). 2. Low fuel supply (propane/LP only). 3. Gas leak. See Warning statement at top of page. 	<ol style="list-style-type: none"> 1. Open window to ventilate room. Stop using odor causing products while heater is running. 2. Refill supply tank (propane/LP only). 3. Locate and correct all leaks (see Checking Gas Connections, page 16).
Fireplace shuts off in use (ODS operates).	<ol style="list-style-type: none"> 1. Not enough fresh air is available. 2. Low line pressure. 3. ODS/pilot is partially clogged. 	<ol style="list-style-type: none"> 1. Open window and/or door for ventilation. 2. Contact local natural or propane/LP gas company. 3. Clean ODS/pilot (see Cleaning and Maintenance, page 25).
Gas odor even when control knob is in OFF position.	<ol style="list-style-type: none"> 1. Gas leak. See Warning statement at top of page. 2. Control valve or gas control defective. 	<ol style="list-style-type: none"> 1. Locate and correct all leaks (see Checking Gas Connections, page 16). 2. Replace control valve or gas control.
Gas odor during combustion.	<ol style="list-style-type: none"> 1. Foreign matter between control valve and burner. 2. Gas leak. See Warning statement at top of page. 	<ol style="list-style-type: none"> 1. Take apart gas tubing and remove foreign matter. 2. Locate and correct all leaks (see Checking Gas Connections, page 16).
Dark residue on logs inside of their fireplace. <i>Note: After removing all causes of residue deposits, completely clean fireplace and appliance off residue before reusing appliance.</i>	<ol style="list-style-type: none"> 1. Improper log placement. 2. Drafts or other air currents affecting flame pattern. 3. Air holes at burner inlet blocked. 4. Burner flame holes blocked. 	<ol style="list-style-type: none"> 1. Properly locate logs (see Installing Logs, page 18). 2. Eliminate source of drafts around heater. 3. Clean out air holes at burner inlet. Periodically repeat as needed. 4. Remove blockage.
Log set cycles to pilot, but room temperature drops to a lower than ideal level before log set comes back on.	<ol style="list-style-type: none"> 1. Hand-held remote control is too close to heater. 	<ol style="list-style-type: none"> 1. Move hand-held remote control unit farther away from the heater.

SPECIFICATIONS

Model VSGF36NRC

- Rating (Variable): 33,000/21,500 Btu/Hr
- Type Gas: Natural Gas
- Ignition: Electronic
- Pressure Manifold: 3.5" W.C.
- Inlet Gas Pressure (in. of water):
Maximum 10.5" W.C., Minimum* 5" W.C.
- Shipping Weight: 120 lbs.

* For input adjustment

Model VSGF36PRC

- Rating (Variable): 33,000/21,500 Btu/Hr
- Type Gas: Propane/LP
- Ignition: Electronic
- Pressure Manifold: 7.9" W.C.
- Inlet Gas Pressure (in. of water):
Maximum 13" W.C. Minimum* 11" W.C.
- Shipping Weight: 120 lbs.

* For input adjustment

TECHNICAL SERVICE

You may have further questions about installation, operation or troubleshooting. If so, contact FMI PRODUCTS, LLC at 1-866-328-4537. When calling, please have your model and serial numbers of your firebox ready.

You can also visit FMI PRODUCTS, LLC's web site at www.fmiproducts.com.

SERVICE HINTS

When Gas Pressure Is Too Low

- pilot will not stay lit
- burners will have delayed ignition
- heater will not produce specified heat
- propane/LP gas supply may be low for propane/LP unit

You may feel your gas pressure is too low. If so, contact your local gas supplier.

WIRING DIAGRAM

Note: For proper operation of remote control, wires from thermopile to control receiver must be connected exactly as shown.

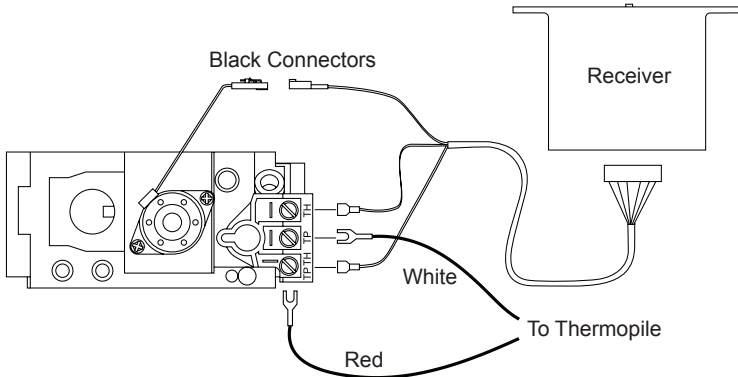


Figure 47 - Remote Control Wiring Diagram

REPLACEMENT PARTS

Note: Use only original replacement parts. This will protect your warranty coverage for parts replaced under warranty.

Contact authorized dealers of this product. If they can't supply original replacement part(s), call FMI PRODUCTS, LLC at 1-866-328-4537 for referral information. A list of authorized dealers can be found by visiting www.fmiproducts.com.

When calling FMI PRODUCTS, LLC have ready

- your name
- your address
- model and serial numbers of your firebox
- how firebox was malfunctioning
- type of gas used (propane/LP or natural gas)
- purchase date

Usually, we will ask you to return the part to the factory.

Note: The firebox identification label (including model number, serial number, clearances, etc.) is located on the right front edge of the firebox.

ACCESSORIES

Purchase these firebox accessories from your local dealer. If they can not supply these accessories, call FMI PRODUCTS, LLC at 1-866-328-4537 for information. You can also write to the address listed on the back page of this manual.

FIREBOX BRICK LINER - HFL401

All Models. Ceramic fiber firebox liner adds the look of real brick. Aged red color panels with black mortar and straight brick pattern.

MANTELS

W36TO - Cabinet Mantel & Base, Stained Oak, Traditional Design

W36TU - Cabinet Mantel & Base, Unfinished, Traditional Design

C36TO - Corner Mantel & Base, Stained Oak, Traditional Design

C36TU - Corner Mantel & Base, Unfinished, Traditional Design

PERIMETER TRIM

PT36 - Black

PT36B - Brushed Brass

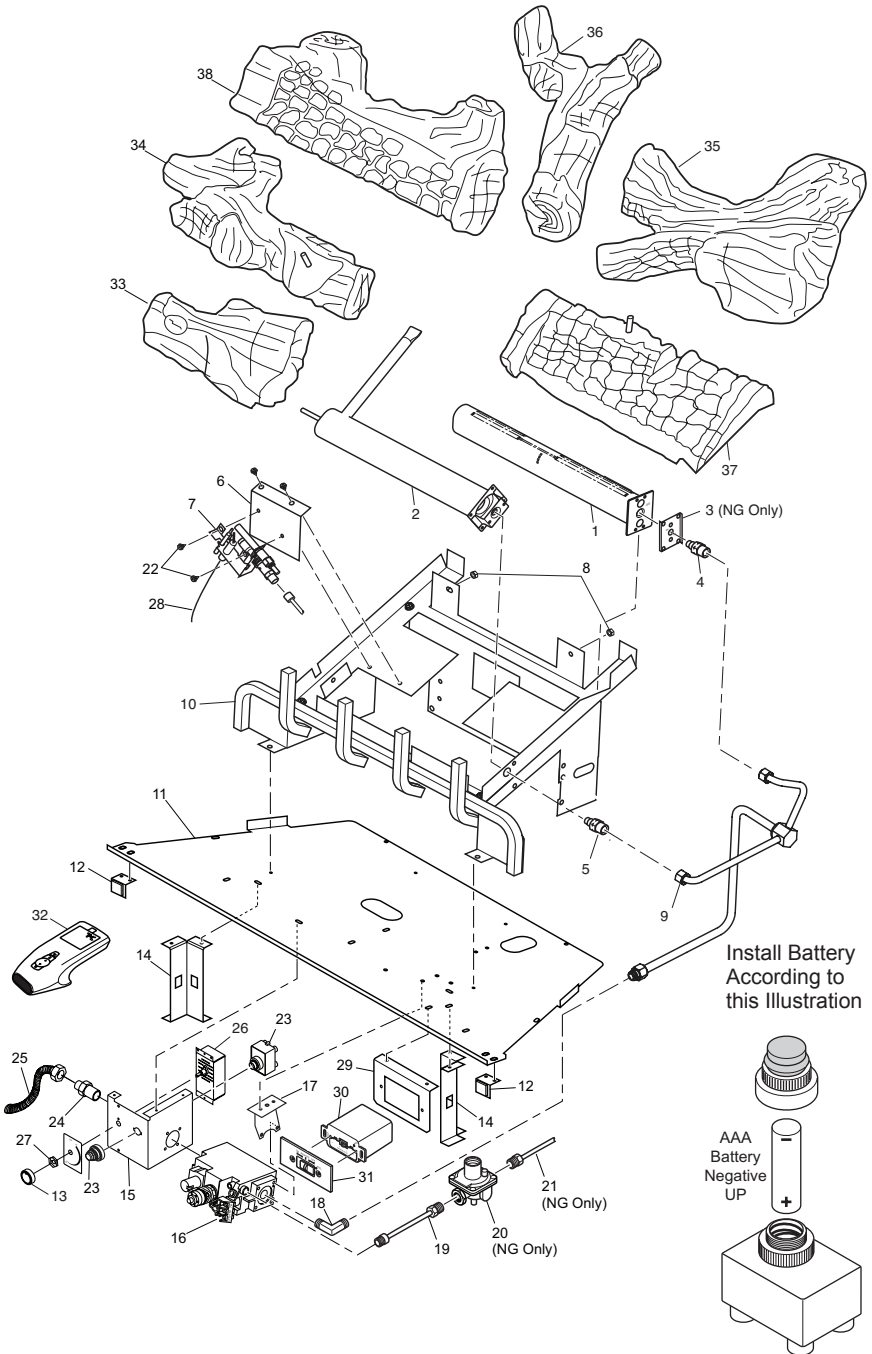
PT36P - Platinum

FIREPLACE HANDLES - FPH

2 handles per kit.

PARTS

MODELS VSGF36PRC, VSGF36NRC



PARTS

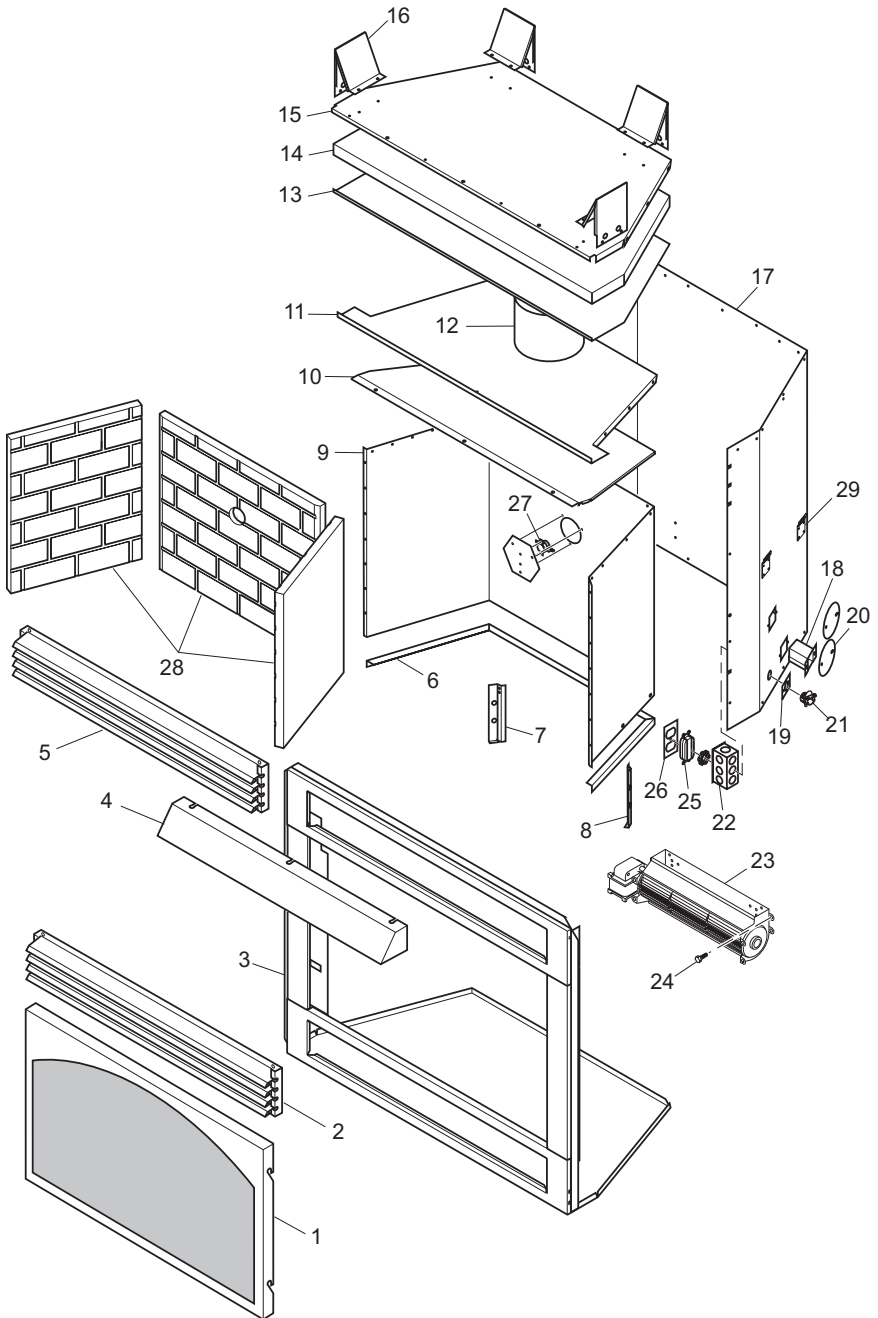
This list contains replaceable parts used in your firebox. When ordering parts, follow the instructions listed under Replacement Parts on page 31 of this manual.

KEY NO.	PART NO.	DESCRIPTION			QTY.
			VSGF36PRC	VSGF36NRC	
1	112466-02	Rear Burner Assembly	•	•	1
2	112465-02	Front Burner Assembly	•	•	1
3	107634-01	NG Conversion Plate	•	•	1
4	101004-15	Rear Burner Injector	•	•	1
	101004-14	Rear Burner Injector	•	•	1
5	101004-01	Front Burner Injector	•	•	1
	101004-08	Front Burner Injector	•	•	1
6	112713-03	Pilot Bracket	•	•	1
7	103778-01	ODS Pilot	•	•	1
	103779-01	ODS Pilot	•	•	1
8	098249-01	ODS Nut	•	•	2
9	112708-07	Burner Tube	•	•	1
10	112705-03	Base Assembly	•	•	1
11	**	Firebox Bottom	•	•	1
12	115410-01	Magnet and Bracket Kit	•	•	2
13	103650-01	Knob	•	•	1
14	**	Firebox Support Leg	•	•	2
15	104241-03	Valve Bracket	•	•	1
16	111440-04	Gas Valve	•	•	1
	111440-03	Gas Valve	•	•	1
17	103782-01	Valve Bracket	•	•	1
18	098265-02	Male Elbow	•	•	1
19	099387-09	Pilot Tube	•	•	1
	099387-12	Pilot Tube	•	•	1
20	099918-02	Pilot Regulator	•	•	1
21	099387-14	Pilot Tube	•	•	1
22	M11084-26	Screw	•	•	4
23	111435-01	Electronic Ignitor	•	•	1
24	14500	Male Fitting	•	•	1
25	101628-03	Flex Hose	•	•	1
26	105649-01	Blower Speed Control	•	•	1
27	103651-01	Lock Nut	•	•	1
28	098271-10	Ignitor Cable	•	•	1
29	120657-03	Proflame Receiver Bracket	•	•	1
30	121129-05	Proflame Receiver	•	•	1
31	121129-03	Proflame Receiver Plate	•	•	1
32	121129-01	Proflame Remote	•	•	1
33	121699-11	Front Log Right	•	•	1
34	121699-10	Front Log Left	•	•	1
35	125683-01	Middle Right Log	•	•	1
36	121699-09	Middle Left Log	•	•	1
37	121699-13	Bottom Log	•	•	1
38	121699-12	Back Log	•	•	1
PARTS AVAILABLE — NOT SHOWN					
	100563-01	Warning Plate	•	•	1
	123482-01	Lighting Instructions Plate	•	•	1
	121129-04	Proflame Wire Harness	•	•	1

** Not a field replaceable part

PARTS

MODELS VSGF36PRC AND VSGF36NRC



PARTS

MODELS VSGF36PRC AND VSGF36NRC

This list contains replaceable parts used in your firebox. When ordering parts, follow the instructions listed under Replacement Parts on page 31 of this manual.

KEY			
NO.	PART NO.	DESCRIPTION	QTY.
1	113190-01CK	Screen	2
2	116865-01CK	Bottom Louver Assembly	1
3	**	Face Weldment	1
4	101355-03CK	Hood	1
5	116864-01CK	Louver Assembly	1
6	**	Firebox Bottom Bracket	1
7	**	Right Firebox Support Leg	1
8	**	Left Firebox Support Leg	2
9	**	Firebox Surround	1
10	**	Firebox Top Shield	1
11	**	Firebox Top	1
12	**	Damper Can Collar	1
13	**	Insulation Pan	1
14	**	Fireplace Top Insulation	1
15	**	Fireplace Top	1
16	20280	Top Spacer	4
17	**	Fireplace Surround	1
18	107128-01	Gas Conduit	2
19	115408-01	Receptacle Plate	1
20	21171	Gas Knock-Out Cover	4
21	103771-01	Strain Relief	1
22	115402-01	Steel Receptacle Box	1
23	119943-01	Blower	1
24	M11084-38	Hex Screw, #8	3
25	GA3555	Duplex Outlet	1
26	115403-01	Steel Receptacle Cover	1
27	101378-01	Thermostat Switch	1
28	117539-01	Brick Refractory Kit	1
29	117891-01	FPH Handle Bracket	4

** Not a field replaceable part.

WARRANTY

KEEP THIS WARRANTY

Model (located on product or identification tag) _____

Serial No. (located on product or identification tag) _____

Date Purchased _____

Keep receipt for warranty verification.

FMI PRODUCTS, LLC LIMITED WARRANTIES

New Products

Standard Warranty: FMI PRODUCTS, LLC warrants this new product and any parts thereof to be free from defects in material and workmanship for a period of four (4) years from the date of first purchase from an authorized dealer provided the product has been installed, maintained and operated in accordance with FMI PRODUCTS, LLC's warnings and instructions.

For products purchased for commercial, industrial or rental usage, this warranty is limited to 90 days from the date of first purchase.

Factory Reconditioned Products

Limited Warranty: FMI PRODUCTS, LLC warrants factory reconditioned products and any parts thereof to be free from defects in material and workmanship for 30 days from the date of first purchase from an authorized dealer provided the product has been installed, maintained and operated in accordance with FMI PRODUCTS, LLC's warnings and instructions.

Terms Common to All Warranties

The following terms apply to all of the above warranties:

Always specify model number and serial number when contacting the manufacturer. To make a claim under this warranty the bill of sale or other proof of purchase must be presented.

This warranty is extended only to the original retail purchaser when purchased from an authorized dealer, and only when installed by a qualified installer in accordance with all local codes and instructions furnished with this product.

This warranty covers the cost of part(s) required to restore this product to proper operating condition and an allowance for labor when provided by a FMI PRODUCTS, LLC Authorized Service Center or a provider approved by FMI PRODUCTS, LLC. Warranty parts must be obtained through authorized dealers of this product and/or FMI PRODUCTS, LLC who will provide original factory replacement parts. Failure to use original factory replacement parts voids this warranty.

Travel, handling, transportation, diagnostic, material, labor and incidental costs associated with warranty repairs, unless expressly covered by this warranty, are not reimbursable under this warranty and are the responsibility of the owner.

Excluded from this warranty are products or parts that fail or become damaged due to misuse, accidents, improper installation, lack of proper maintenance, tampering, or alteration(s).

This is FMI PRODUCTS, LLC's exclusive warranty, and to the full extent allowed by law; this express warranty excludes any and all other warranties, express or implied, written or verbal and limits the duration of any and all implied warranties, including warranties of merchantability and fitness for a particular purpose to four (4) years on new products and 30 days on factory reconditioned products from the date of first purchase. FMI PRODUCTS, LLC makes no other warranties regarding this product.

FMI PRODUCTS, LLC's liability is limited to the purchase price of the product, and FMI PRODUCTS, LLC shall not be liable for any other damages whatsoever under any circumstances including indirect, incidental, or consequential damages.

Some states do not allow limitations on how long an implied warranty lasts or the exclusion or limitation of incidental or consequential damages, so the above limitation or exclusion may not apply to you.

This warranty gives you specific legal rights, and you may also have other rights which vary from state to state.

For information about this warranty contact:


FMI PRODUCTS, LLC
2701 S. Harbor Blvd.
Santa Ana, CA 92704
1-866-328-4537
www.fmiproducts.com

121082-01
Rev. K
01/11

Free Manuals Download Website

<http://myh66.com>

<http://usermanuals.us>

<http://www.somanuals.com>

<http://www.4manuals.cc>

<http://www.manual-lib.com>

<http://www.404manual.com>

<http://www.luxmanual.com>

<http://aubethermostatmanual.com>

Golf course search by state

<http://golfingnear.com>

Email search by domain

<http://emailbydomain.com>

Auto manuals search

<http://auto.somanuals.com>

TV manuals search

<http://tv.somanuals.com>