

**First Alert<sup>®</sup>**

**Wireless  
Family Camera  
DWB-700**  
*(Additional Camera for  
First Alert Family Monitor DWB-740)*

USER'S MANUAL



©2011 BRK Brands, Inc.

All rights reserved. Distributed by BRK Brands, Inc., 3901 Liberty Street Road, Aurora. IL 60504-8122. Due to continuing product development, the product inside the packaging may look slightly different than the one on the package.

BRK Brands, Inc. is a subsidiary of Jarden Corporation (NYSE: JAH). To obtain warranty service, contact the Consumer Affairs Division at 1-800-323-9005, Monday through Friday, 7:30 a.m. - 5 p.m., Central Standard Time.

Made in China

M08-0310-006



---

## Table of Contents

<b>Safety</b> .....	<b>4</b>
Safety Precautions .....	4
FCC Compliance .....	4
<b>Getting to Know Your DWB-700 Family Camera</b> .....	<b>4</b>
Check Package Contents .....	5
Digital Wireless Camera .....	6
<b>Setting Up Your DWB-700 Family Camera</b> .....	<b>7</b>
General Precautions .....	7
Installing the Camera .....	7-8
Pairing .....	8
<b>Troubleshooting</b> .....	<b>9</b>
<b>Technical Information</b> .....	<b>10</b>
<b>Maintenance</b> .....	<b>10</b>
<b>Warranty</b> .....	<b>11-12</b>
Product Limited Warranty .....	11
Warranty Exclusions .....	11-12
Obtaining Service .....	12

# Safety

## SAFETY PRECAUTIONS

Please read the following instructions and warnings carefully and keep this User's Manual for future reference.

- This product is not a substitute for responsible adult supervision.
- This product is not a toy. Do not allow children to play with it.
- Prevent cord entanglement—do not place camera in crib or within arm's reach of the child.
- This product contains small parts. Adult assembly is required. Keep small parts out of children's reach.
- Do not drop, puncture, or disassemble the camera.
- Never tug on the power adapter. Use the plug to remove it from the wall.
- Use the device with care. Avoid pressing hard on the camera or receiver body.
- Do not expose the camera to high temperatures.
- Do not use power cable if it is crushed or damaged.
- For your own safety, avoid using the camera when there is a storm or lightning.
- Do not use monitor near water.

## FCC COMPLIANCE STATEMENTS

### FCC COMPLIANCE CLASS B DIGITAL DEVICE

This equipment has been tested and found to comply with the limits for a Class B digital device, pursuant to Part 15 of the FCC rules. These limits are designed to provide reasonable protection against harmful interference in a residential installation. This equipment generates, uses and can radiate radio frequency energy and, if not installed and used in accordance with the instructions, may cause harmful interference to radio communications.

However, there is no guarantee that the interference will not occur in a particular installation. If this equipment does cause harmful interference to radio or television reception, which can be determined by turning the equipment off and on, the user is encouraged to try to correct the interference by one or more of the following measures:

- Reorient or relocate the receiving antenna.
- Increase the separation between the equipment and receiver.
- Connect the equipment into an outlet on a circuit different from that of the receiver.
- Consult the dealer or an experienced radio or TV technician for help.

Notice: Only peripherals complying with FCC class B limits may be attached to this equipment. Operation with non-compliant peripherals or peripherals not recommended by First Alert / BRK Brands, Inc. is likely to result in interference to radio and TV reception. Changes or modifications to the product, not expressly approved by First Alert / BRK Brands, Inc., could void the user's authority to operate the equipment.

We, First Alert / BRK Brands, Inc. declare under our sole responsibility that the device to which this declaration relates: Complies with Part 15 of the FCC Rules. Operation is subject to the following two conditions: (1) this device may not cause harmful interference, and (2) this device must accept any interference received, including interference that may cause undesired operation.

FCC CERTIFICATION (IF APPLICABLE)

**This device contains a radio transmitter. Accordingly, it has been certified as compliant with 47 CFR Part 15 of the FCC Rules for intentional radiators. Products that contain a radio transmitter are labeled with an FCC ID.**

# Getting to Know Your DWB-700 Family Camera

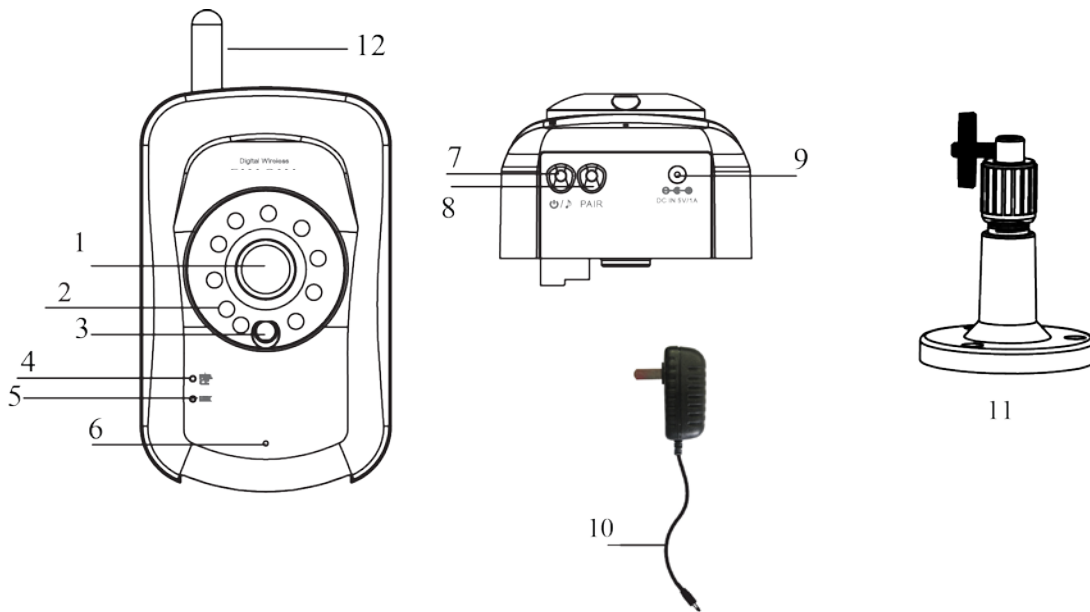
*Congratulations on purchasing your First Alert Family Camera. This Camera is designed to be used with the First Alert Family Monitor DWB-740. First Alert has been helping your family stay safe for over 50 years. By having a First Alert Family Monitor, you are taking the first step in watching your family.*

## CHECK PACKAGE CONTENTS

After unpacking the carton, check the contents for damage. Contact your supplier or dealer immediately if any part is missing or damaged.

- Digital Wireless Baby Camera (1)
- 5V 1A power adapter (1)
- Camera Stand (1)
- Mounting Kit (1)
- User's Manual (1)

DIGITAL WIRELESS CAMERA



- 1 Camera Lens
- 2 Night Vision IR LEDs - Allows you to see up to 16 ft. in complete darkness
- 3 EDS Light Sensor - Detects the absence of light and turns on night vision
- 4 Power/Battery Indicator - Green: Power on, Red: Battery low (when powered with batteries only)
- 5 Link indicator Flashing: Pairing is in processing, Steady Blue: Linked with receiver
- 6 Microphone - Captures all sound in room
- 7 Power key/Lullaby play - Turns camera on and off
- 8 Pairing key - Press and hold to pair camera to receiver
- 9 Power Input (DC IN 5V 1A) - Plug the included adapter into this jack
- 10 Power adapter - Needed to power camera
- 11 Camera stand - Provides flexibility for table top use, or wall or ceiling mounting of camera
- 12 Camera Antenna - Transmits and receives signals
- 13 Battery Compartment (not shown) - Remove cover to install 3 AAA alkaline batteries (not included)

# Setting Up Your DWB-700 Family Camera

## GENERAL PRECAUTIONS

- Do not place any of the equipment near a radiator, vent, or other place where it might be exposed to heat, moisture, dust, vibrations, or strong magnetic fields. If any liquid comes into contact with the monitor, turn off the power immediately and have a qualified technician inspect the equipment before using it again.
- When installing the camera, follow manufacturer's advice when using power tools, steps, ladders, etc. and wear suitable protective equipment (e.g., safety goggles) when drilling holes. Before drilling holes through a ceiling, check for hidden electricity cables and water pipes.

## INSTALLING THE CAMERA

Before the camera is installed, the camera pairing procedure should be completed.

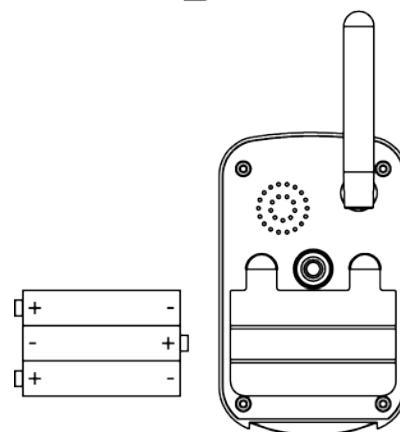
### DC Power Supply Mode

- 1 Connect the power cable to the DC IN of the camera.
- 2 Plug the power supply into the electrical outlet.
- 3 Press POWER button to turn on the camera.



### Battery Power Supply Mode

- 1 Insert 3 AAA alkaline batteries making sure the polarity is correct.
- 2 Press POWER button to turn on the camera.



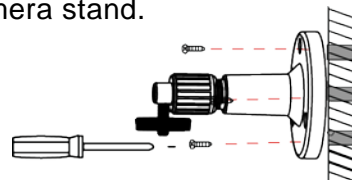
### Table top or wall mounting:

Determine a location for the camera that will provide the best view of your baby in his crib. Place the camera on a flat surface, such as a dresser, bureau, or shelf. Or mount the camera on a wall. Be sure to place camera and monitor no less than 3 feet away from your baby's crib. Do not place the camera near open windows, direct sunlight or heat sources.

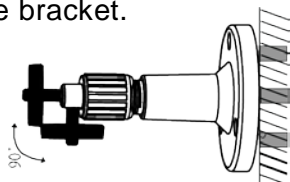
## To Wall or Ceiling Mount

Use stand to mark position of screws. Before drilling a hole, it is important to check the reception and camera/monitor positioning in the place that you intend on hanging it to the wall or ceiling.

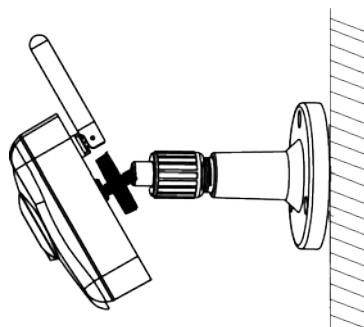
- 1 Select the position for the camera and secure the camera stand.
  - a. Pre-drill holes using a 7/32 inch drill bit.
  - b. Insert wall anchors and gently tap with hammer until the anchors are flush with the wall.
  - c. Secure stand with screws.



- 2 Screw the camera onto the bracket.



- 3 Adjust camera to the proper view angle. Make sure the lens is upright relative to your subject. Tighten the nut. Adjust the antenna to an upright position.



## PAIRING (USING THE DWB-740 FAMILY MONITOR)

Access the Pairing menu from the Main Menu. Use this menu to pair receiver with camera.



1. Use ◀ ▶ to select a channel.
2. Press Ⓞ to start system countdown from 60 seconds.
3. Within 60-second countdown, press PAIR at the camera side. Image will display when pairing is complete



## TROUBLESHOOTING

<b>Problem</b>	<b>Possible Causes</b>	<b>Remedies</b>
<b>System message shows “No Signal”</b>	No power supply to camera	Check power adapter and power cable connection. If camera is running on battery alone, you may need to replace batteries.
	Camera is not paired with receiver	See pairing operation for detail.
	Service out of range	Move the camera closer to the receiver.
	Signal is blocked	If possible, remove major obstacles in between the camera and the receiver. Or, relocate the camera to another location.
<b>Low or unstable signal</b>	Antenna direction is limited	Adjust the camera antenna and receiver position.
	Signal has been blocked	If possible, remove major obstacles in between the camera and receiver. Or, relocate the camera to another location.
	Strong radio signal nearby	Keep WIFI router away from the camera and/or receiver.
	Strong electromagnetic interference nearby	Keep active appliances such as hair dryers, heat fans, air conditioners, water pumps, or microwave ovens away from the camera and/or receiver.
<b>Audio feedback</b>	Camera and receiver are too close	The camera has a high sensitivity microphone. Keep the camera at least 10 feet away from the receiver. If the camera must be within 10 feet of the receiver, keep the volume down.

## Technical Information

### GENERAL

Operating Power	5V
Operating Temperature	14°F - 122°F
Indoor	Yes
Outdoor	No
Digital Wireless	Yes
Dimensions: Camera & Stand	2.52" x 2.44" x 3.9"

### CAMERA

Image Sensor	Color CMOS
Vox (Voice) Triggered	Yes
Digital	Yes
Color	Yes
Night Vision Capability	Yes
Number of Infrared LEDs	10
Night Vision Distance	up to 16 ft.

### WIRELESS

Wireless Range	750 ft. line of sight
Frequency	2.4 GHz

### MAINTENANCE

- Clean the surfaces of the camera and monitor with a soft, lint-free cloth.
- If the units become dirty, use a lightly damp cloth to wipe surfaces, taking care not to allow water into any openings.
- Never use cleaning agents or solvents.

## Warranty

### PRODUCT LIMITED WARRANTY

BRK Brands, Inc., (“BRK”) the maker of First Alert® brand products warrants that for a period of one year from the date of purchase (the “Warranty Period”), this product will be free from defects in material and workmanship. BRK, at its sole option, will repair or replace this product or any component of the product found to be defective during the Warranty Period. Replacement or repair will be made with a new or remanufactured product or component. If the product is no longer available, replacement may be made with a similar product of equal or greater value. This is your exclusive warranty.

This warranty is valid for the original retail purchaser only from the date of initial retail purchase and is not transferable. In order to obtain warranty service, you must keep the original sales receipt and proof of purchase in the form of the UPC code from the package. BRK dealers, service centers, or retail stores selling BRK products do not have the right to alter, modify or any way change the terms and conditions of this warranty.

### WARRANTY EXCLUSIONS

Parts and Labor: 1 year limited (warranted parts do not include bulbs, LEDs, and batteries)

This warranty does not apply to bulbs, LEDs, and batteries supplied with or forming part of the product.

This warranty is invalidated if non- BRK accessories are or have been used in or in connection with the product or in any modification or repair is made to the product.

This warranty does not apply to defects or damages arising by use of the product in other than normal (including normal atmospheric, moisture and humidity) conditions or by installation or use of the product other than in strict accordance with the instructions contained in the product owner’s manual.

This warranty does not apply to defects in or damages to the product caused by (i) negligent use of the product, (ii) misuse, abuse, neglect, alteration, repair or improper installation of the product, (iii) electrical short circuits or transients, (iv) usage not in accordance with product installation, (v) use of replacement parts not supplied by BRK, (vi) improper product maintenance, or (vii) accident, fire, flood or other Acts of God.

This warranty does not cover the performance or functionality of any computer software included in the package with the product. BRK makes no warranty that the software provided with the product will function without interruption or otherwise be free of anomalies, errors, or “Bugs.” This warranty does not cover any costs relating to removal or replacement of any product or software installed on your computer.

BRK reserves the right to make changes in design or to make additions to or improvements in its products without incurring any obligations to modify any product which has already been manufactured. BRK will make every effort to provide updates and fixes to its

software via its website. This warranty does not cover any alteration or damage to any other software that may be or may become resident on the users system as a result of installing the software provided. This warranty is in lieu of other warranties, expressed or implied, and BRK neither assumes nor authorizes any person to assume for it any other obligation or liability in connection with the sale or service of the product. In no event shall BRK be liable for any special or consequential damages arising from the use of the product or arising from the malfunctioning or non-functioning of the product, or for any delay in the performance of this warranty due to any cause beyond its control.

BRK does not make any claims or warranties of any kind whatsoever regarding the product's potential, ability, or effectiveness to prevent, minimize, or in any way affect personal or property damage or injury. BRK is not responsible for any personal damage, loss, or theft related to the product or to its use for any harm, whether physical or mental related thereto. Any and all claims or statements, whether written or verbal, by salespeople, retailers, dealers, or distributors to the contrary are not authorized by BRK, and do not affect this provision of this warranty.

BRK's responsibility under this, or any other warranty, implied or expressed, is limited to repair, replacement or refund, as set forth above. These remedies are the sole and exclusive remedies for any breach of warranty. BRK is not responsible for direct, special, incidental, or consequential damages resulting from any breach of warranty or under any other legal theory including but not limited to, loss profits, downtime, goodwill, damage to or replacement of equipment and property and any costs of recovering, reprogramming or reproducing any program or data stored in or used with a system containing the product accompanying software.

BRK does not warrant the software will operate with any other software except that which is indicated. BRK cannot be responsible for characteristics of their party hardware or software which may effect the operation of the software included.

Except to the extent prohibited by applicable law, any implied warranty of merchantability or fitness for a particular purpose is limited in duration to the duration of the above Warranty Period. Some states, provinces, or jurisdictions do not allow the exclusion or limitation of incidental or consequential damages or limitations on how long an implied warranty lasts, so the above limitations or exclusion may not apply to you. This warranty gives you specific legal rights, and you may also have other rights that vary from state to state, or province to province, or jurisdiction to jurisdiction.

## OBTAINING SERVICE

If service is required, do not return the product to your retailer. In order to obtain warranty service, contact the Consumer Affairs Division at 1-800-323-9005, 7:30 a.m. – 5:00 p.m. Central Standard Time, Monday through Friday. To assist us in serving you, please have the model number and date of purchase available when calling.

After contacting the Consumer Affairs Division and it is determined that the product should be returned for Warranty Service, please mail the product to: BRK Brands, Inc., 3901 Liberty Street Road, Aurora. IL 60504-8122.

## Free Manuals Download Website

<http://myh66.com>

<http://usermanuals.us>

<http://www.somanuals.com>

<http://www.4manuals.cc>

<http://www.manual-lib.com>

<http://www.404manual.com>

<http://www.luxmanual.com>

<http://aubethermostatmanual.com>

Golf course search by state

<http://golfingnear.com>

Email search by domain

<http://emailbydomain.com>

Auto manuals search

<http://auto.somanuals.com>

TV manuals search

<http://tv.somanuals.com>