

User Manual



impression

Elation Professional
6122 S Eastern Ave
Los Angeles, Ca 90040
www.elationlighting.com

CONTENTS

1. General Information.....	4
a. Introduction.....	4
b. Unpacking.....	4
c. Customer Support.....	4
d. Warranty Registration.....	5
e. Discharge Lamp Warning.....	5
2. Safety Guidelines.....	6
3. Fixture Overview.....	7
4. Features.....	11
5. General Guidelines.....	10
6. Mounting and Installation.....	12
a. Mounting Points.....	13
b. Clamp Mounting	14
c. Floor Mounting	14
d. Side Mounting	15
e. Securing.....	16
7. Understanding DMX.....	17
a. DMX Cable Requirements.....	17
b. DMX Terminator.....	19
c. 3-Pin to 5-Pin Conversion.....	19
d. DMX Addressing.....	19
8. Fixture Menu.....	21
9. Operation.....	24
10. DMX Channel Traits.....	25
a. 14 Channel Mode	25
b. 10 Channel Mode	28
c. 13 Channel Mode	29
11. Cleaning and Maintenance.....	30
12. Warranty.....	31
13. Dimensional Drawings.....	33
14. Technical Specifications.....	34

1. GENERAL INFORMATION

INTRODUCTION: Congratulations, you have just purchased one of the most innovative and reliable lighting fixtures on the market today! The Impression,[™] has been designed to perform reliably for years when the guidelines in this booklet are followed. Please read and understand the instructions in this manual carefully and thoroughly before attempting to operate this unit. These instructions contain important information regarding safety during use and maintenance.

UNPACKING: Thank you for purchasing the Impression[™] by Elation Professional®. Every Impression[™] has been thoroughly tested and has been shipped in perfect operating condition. Carefully check the shipping carton for damage that may have occurred during shipping. If the carton appears to be damaged, carefully inspect your unit for damage and be sure all accessories necessary to operate the unit have arrived intact. In the event damage has been found or parts are missing, please contact our customer support team for further instructions. Please do not return this unit to your dealer without first contacting customer support at the number listed below.

CUSTOMER SUPPORT: Elation Professional® provides a customer support line, to provide set up help and to answer any question should you encounter problems during your set up or initial operation. You may also visit us on the web at www.elationlighting.com for any comments or suggestions. For service related issue please contact Elation Professional®. Service Hours are Monday through Friday 9:00 a.m. to 5:00 p.m. Pacific Standard Time.

Voice: (323) 582-3322

Fax: (323) 582-3108

E-mail: support@elationlighting.com

Forum: www.ElationLighting.com/forum

Warning! To prevent or reduce the risk of electrical shock or fire, do not expose this unit to rain or moisture.

Caution! There are no user serviceable parts inside this unit. Do not attempt any repairs yourself, doing so will void your manufactures warranty.

Please do not discard the shipping carton in the trash. Please recycle whenever possible.

WARRANTY REGISTRATION: The Impression™ carries a two year (730 days) limited warranty. Please fill out the enclosed warranty card to validate your purchase. All returned service items whether under warranty or not, must be freight pre-paid and accompany a return authorization (R.A.) number. The R.A. number must be clearly written on the outside of the return package. A brief description of the problem as well as the R.A. number must also be written down on a piece of paper and included in the shipping container. If the unit is under warranty, you must provide a copy of your proof of purchase invoice. Items returned without a R.A. number clearly marked on the outside of the package will be refused and returned at customer's expense. You may obtain a R.A. number by contacting customer support at (323) 582-3322.

Never open this fixture while in use!

This fixture operates with extremely high voltages. Shock may occur if this fixture is opened during use.

This device falls under protection-class 1. Therefore it is essential that the device be grounded properly.

All electrical connections must be performed by qualified personnel.

Be sure to always use an approved "Power Con" connector. Never attempt to modify the power inlet. Be sure the power cord is never crimped or damaged. If the power cord is damaged, replace it immediately with a new one of similar power rating.

Always disconnect from main power before performing any type of service or any cleaning procedure.

Only handle the power cord by the plug. Never pull out the plug by tugging the wire portion of the cord.

Please be aware that damages caused by user modifications to the device are not subject to warranty.

2. SAFETY GUIDELINES



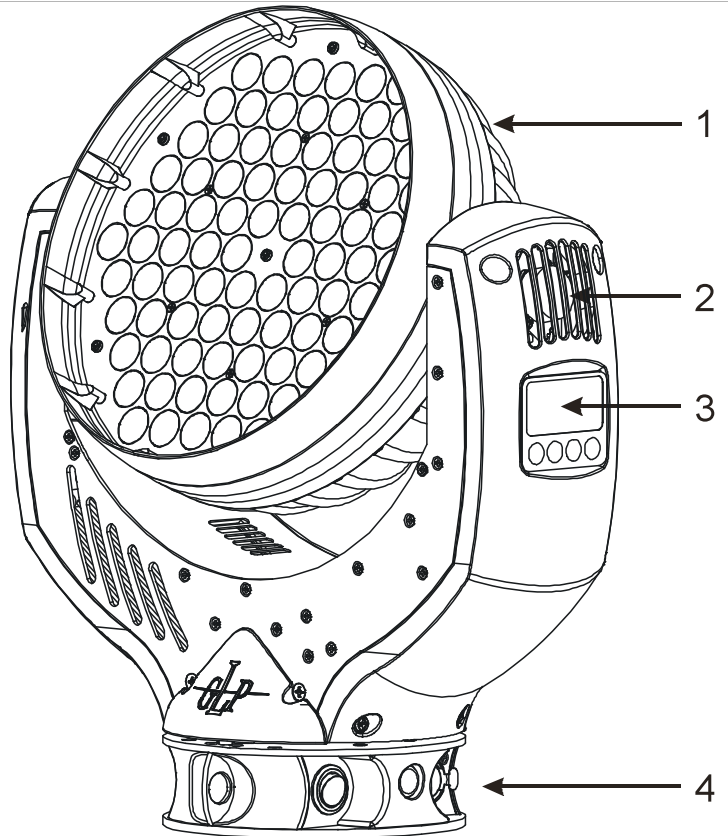
The Impression™ is an extremely sophisticated piece of electronic equipment. To guarantee a smooth operation, it is important to follow the guidelines in this manual. The manufacturer of this device will not accept responsibility for damages resulting from the misuse of this fixture due to the disregard of the information printed in this manual.

1. Always be sure that the fan and the air inlets remain clean and are never blocked. Allow about 6" (15cm) between this fixture and other devices or a wall to allow for proper cooling.
2. Never touch the fixture during normal operation. This can cause severe personal injuries and/or damage to the fixture.
3. Be sure to unplug the Impression™ and allow it to cool for at least 15 minutes before attempting to change the optical lens assembly.
4. Never look directly into the lamp beam. You risk injury to your retina, which may induce blindness.
5. For safe operation, follow the Installation guide described in chapter three of this manual. Operating the Impression™ without suited safety aids such as safety cables or clamps can increase the risk of damage and/or personal injury.
6. Installation should only be performed by qualified and certified personal.
7. When mounting this fixture, use only the original rigging parts included with this fixture. Any structural modification will void the original manufactures warranty and may increase the risk of damage and/or personal injury.
8. To reduce the risk of fire or shock, do not expose this fixture to rain or moisture.
9. Do not attempt to operate this fixture if the power cord is damaged in any way.
10. The impression is a completely self-contained fixture, there are no user serviceable parts or lamps to change. Please do not attempt to service this fixture. All service related issues should be referred to an authorized Elation service technician.

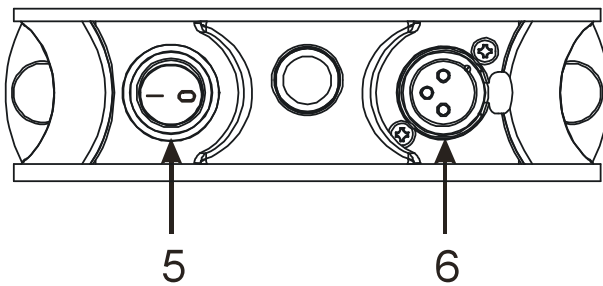
Important Notice: Damages resulting from the disregard of safety and general user instructions found in this user manual are not subject to any warranty claims.

3. FIXTURE OVERVIEW

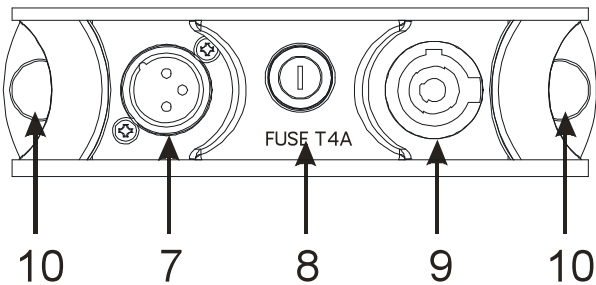
1. Head and Lens Assembly (actively and passively cooled)
2. Arm with various cooling vents
3. LCD-Full Text Display and Menu with Foil Key Pad (data entry)
4. Base with various connectors and Camlock mounting system



base side 1



base side 2



5. Power On/Off Switch
6. DMX- Output (3-pin XLR)
7. DMX- Input (3-pin XLR)
8. Fuse Holder and Fuse (GMA 5x20mm, 220V/4A)
9. Main Power Input (Powercon)
10. Safety Cable Slot

1. **Head / LED Lens Assembly** – The head assembly consist of the main output lenses, and LED cluster module. A high-velocity variable speed fan is mounted in the head to aid in the cooling process. The fan is designed to vary the velocity at different operating temperatures. When the fixture reaches a predetermined internal operating temperature the fan functions at high speeds. The higher speeds provide better cooling associated with higher operating temperatures during long use. When the fixture is operating at a lower temperature the fans operate at low speed. Be sure to keep all vents clean, blocked cooling vents can shorten lamp life and reduce the fixtures reliability. For more information on the fan functions see page 23, section 3.9.7.
2. **Arm / Cooling Fan** – A high-velocity variable speed fan is mounted in the head to aid in the cooling process. The fan is designed to vary the velocity at different operating temperatures. When the fixture reaches a predetermined internal operating temperature the fan functions at high speeds. The higher speeds provide better cooling associated with higher operating temperatures during long use. When the fixture is operating at a lower temperature the fans operate at low speed. Be sure to keep all vents clean, blocked cooling vents can shorten lamp life and reduce the fixtures reliability. For more information on the fan functions see page 23, section 3.9.7.
3. **4-Segment Menu Display** – This display details menu functions.
 - a) **Mode Select Button** – This button is used to access the fixture’s main system menu and on-board programming functions.
 - b) **Enter Select Button** – This button is used to select and confirm a menu function when working in the fixture’s operating system.
 - c) **Down Select Button** – This button is used to scroll backwards when navigating through the system menu.
 - d) **Up Select Button** - This button is used to scroll forward when navigating through the system menu.
4. **Base** - This fixture uses an integrated Camlock system for various mounting options built in to the base. The Camlock clamp system allows a quick and efficient means to secure the unit. For proper installation see “Mounting and Installation” on page 12.

5. **Power Switch** – The switch is used to control main power to fixture's electronics.
6. **DMX Output Jack** – This 3-Pin XLR jack is used to send an outgoing DMX signal. For best results this jack should be terminated if it is the last fixture in a DMX daisy-chain (see termination on page 19).
7. **DMX Input Jack** – This 3-Pin XLR jack is used to receive an incoming DMX signal.
8. **Electronics Fuse Holder** – This housing holds a 250v/4A GMA fuse (120v operation). Never defeat this fuse, this fuse is designed to protect the electronics in the event of severer power fluctuations. In the event of fuse failure, always be sure to replace this fuse with an exact match unless otherwise instructed by an authorized Elation technician.
9. **Powercon Connector** – This power jack is designed to be used only with the Neutrik Powercon adapter included with your fixture. This jack provides main power to your fixture.
10. **Safety Cable Mounting Point Connection** – The fixture includes two safety cable slots intergraded into the base. Be sure to use these slots as a secondary rigging point to secure the fixture in the event a clamp fails.

4. FEATURES

- Pan 660° / Tilt 300°
- 3 operation mode: DMX controlled, stand alone or sound activated
- LED RGB Color Additive Color Mixing
- User selectable color change (mode 1: full colors, mode 2: split-colors)
- Strobe effect: 0~10 flashes per second or random strobe
- 90 Bright Luxeon K2 High-Powered LEDs
- Dimmer intensity from 0%~100%
- Electronic Power Supply (100~240v / 50Hz~60Hz)
- Control board with full LCD character display and foil-keyboard
- Reversible Display Option (180° Flip)
- Auto test for all functions
- Automatic Pan/Tilt Correction
- 10° Beam Angle
- Optional Lens Replacement Kit (25°)
- USITT DMX-512 Complaint (3-pin DMX Connections)
- Value of each DMX-channel can be displayed
- Extremely Light Weight 16.5lbs / 7.5kg

5. GENERAL GUIDELINES

This fixture is a professional lighting effect designed for use on stage, in nightclubs, in theatres, etc. Do not attempt operation or installation without a proper knowledge on how to so.

This fixture was designed for indoor use only.

Consistent operational breaks may ensure that the fixture will function properly for many years to come.

Do not shake the fixture around. Avoid brute force when installing or operating the device.

While choosing an installation location, please be sure that the fixture will not be exposed to extreme heat, moisture or dust. The minimum distance between the fixture and a wall or flat surface should be at least .5 meter (about 1.5ft).

Always install the fixture with an appropriate safety cable. When installing the fixture in a suspended environment always be to use mounting hardware no less than M10 x 25 mm, also be sure the hardware is insert in the pre-arranged screw holes in the base of the fixture.

When using the quick release “Omega” cam-lock system, be sure the four quick lock fasteners are locked in the quick lock holes correctly.

Do not attempt to operate this fixture until you have familiarized yourself with its functions.

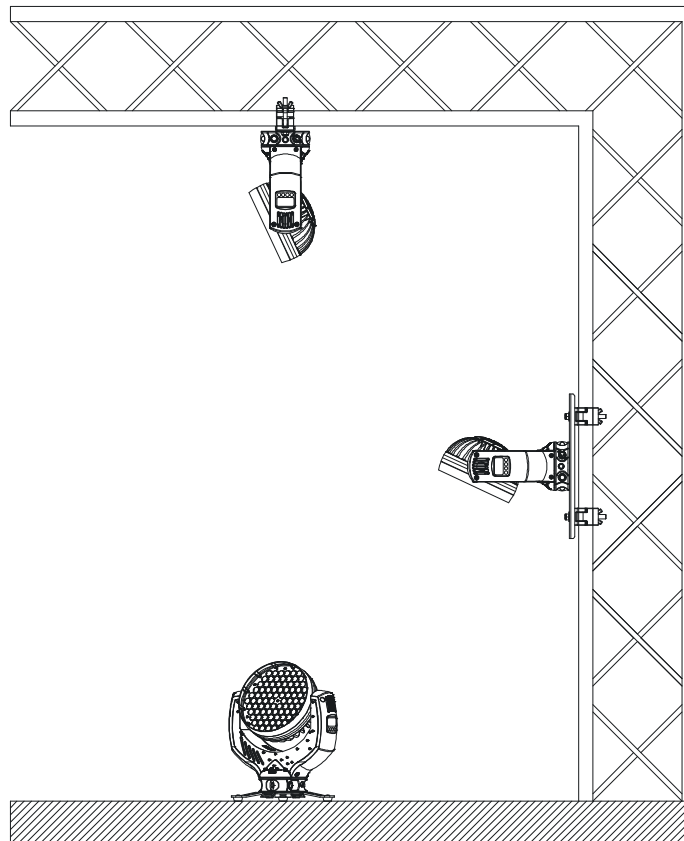
Do not permit operation by persons not qualified for operating this type of theatrical fixture; most damages are the result of operations by nonprofessionals.

If service is ever required, please use the original packaging to transport the fixture in for service.

6. MOUNTING AND INSTALLATION

Mounting

The Impression™ is fully operational in any positions, hanging upside-down from a ceiling, mounted on its' side or set on a flat level surface (see illustration below). The following section will detail the available mounting options. When determining a mounting point, be sure this fixture is kept at least 0.5m away from any flammable materials (decoration etc.). Always use and install a safety cable as an additional safety measure to prevent accidental damage and/or injury in the event the clamp fails.



Mounting Cautions:


For added protection mount the fixtures in areas outside walking paths, seating areas, or in areas where the fixture might be reached by unauthorized personnel.

Before mounting the fixture to any surface, make sure that the installation area can hold a minimum point load of 10 times the device's weight.

Never stand directly below the device when mounting, removing, or servicing the fixture.

Overhead mounting requires extensive experience, including amongst others calculating working load limits, a fine knowledge of the installation material being used, and periodic safety inspection of all installation material and the fixture. If you lack these qualifications, do not attempt the installation yourself. Improper installation can result in bodily injury.

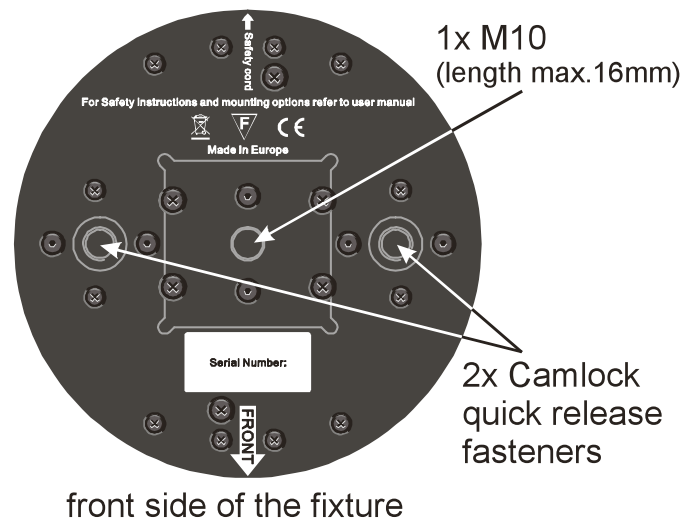
Be sure to complete all rigging and installation procedures before connecting main power.



Refer to regulations BGV C1 (formerly VBG 70) and DIN VDE0711-217 for proper installation in Europe. To ensure proper installation, only qualified staff should attempt installation.

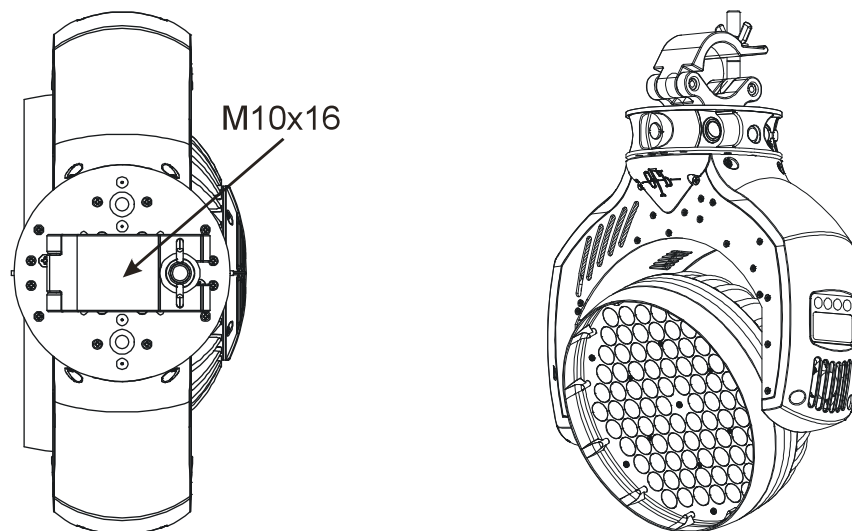
Mounting points

Various mounting kits are available for the Impression™. These kits will provide a proper and secure means to install the fixture in different positions. The fixture was designed to accept the available mounting kits, please do not attempt to mount the fixture by any other means than those describe in the following sections of this manual. Please also note that the fixture is clearly marked with a “FRONT” orientation; this will ensure a universal orientation when mounting several fixtures.



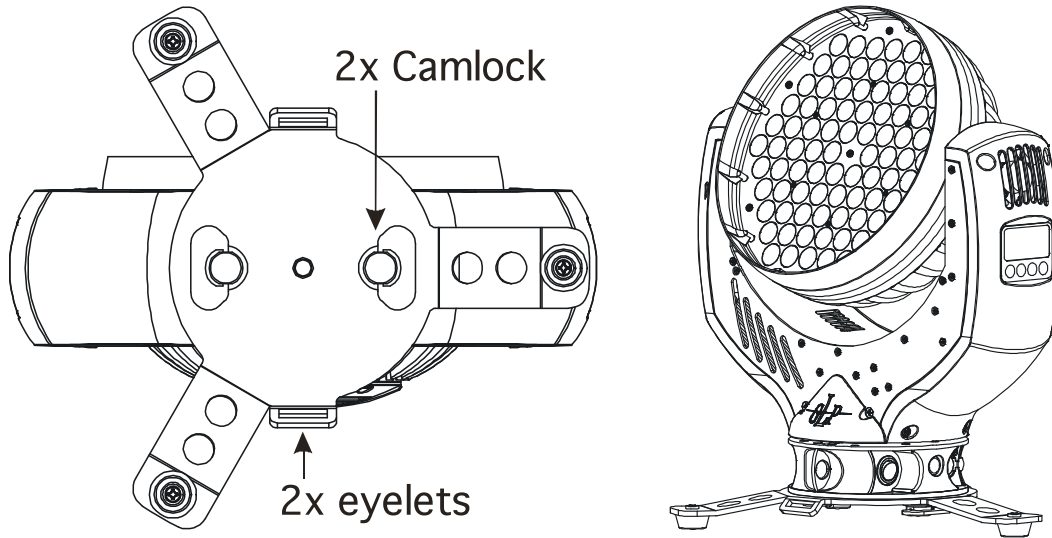
Clamp Mounting (Hanging)

The Impression™ provides a unique mounting assembly that integrates the base as well as the safety cable rigging point in one unit (see the illustration below). When mounting this fixture to truss, be sure to secure an appropriately rated coupler directly to the base using a M10 x 16mm bolt fitted through the center hole of the base. As an added safety measure be sure to attach at least one properly rated safety cable to the fixture using the safety cable rigging point integrated in the base.



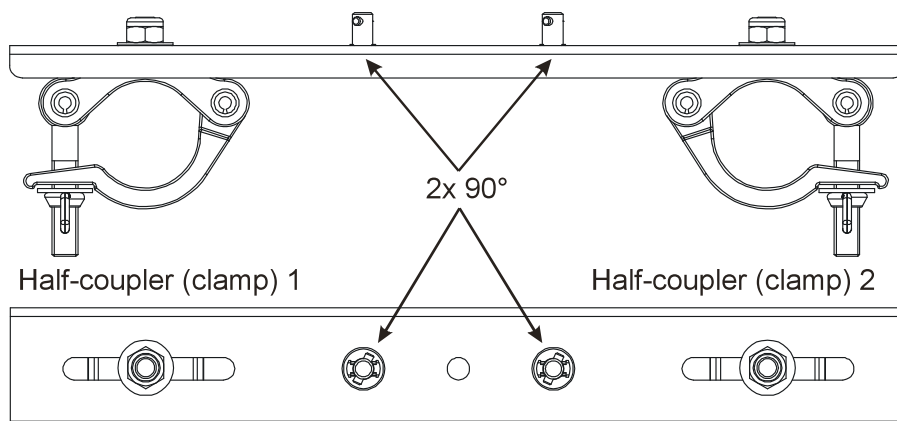
Floor Mounting

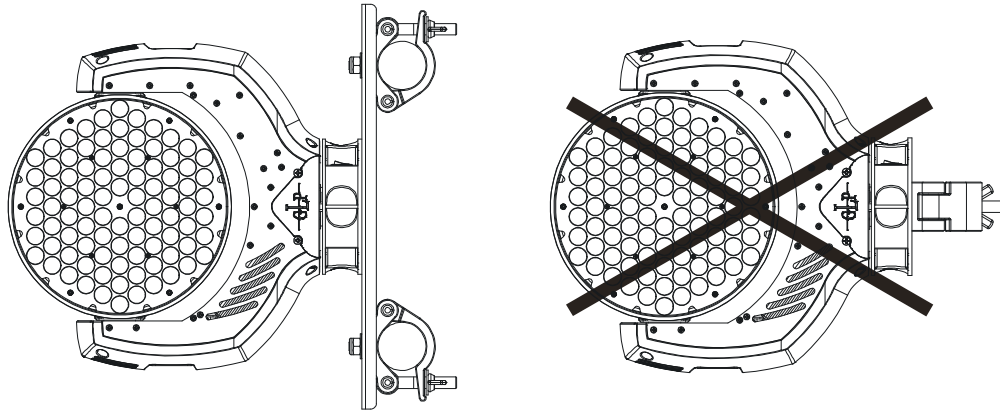
The Impression ships with a floor stand that will properly balance the fixture in an up-right position. For upright operation always use the dedicated floor stand mounted to the bottom of the fixture, this will allow for additional bracing during upright operation. The floor stand is kept securely attached with a Camlock quick-release system. To attach the floor stand properly, line up the Camlock fasteners with Camlock mounting points on the base and turn the two fasteners 90° to lock them in place. To release the Camlock repeat the same action in reverse. See the illustration on the next page for details on the floor stand.



Side Mounting

To properly operate the Impression in a sidewise position, it is necessary to use the optional side-mounting bracket assembly. This bracket assembly uses two half couplers and allows a concentric position between two truss bars. Never mount the fixture on its' side using the single coupler method described in the "Clamp Mounting" section on the previous page as it may damage the base. The side-mounting assembly was specifically designed to cope with excessive torque that occurs when the fixture is mounted on its' side. To attach the side-mounting bracket use the same Camlock mounting points that are available for the floor stand. Line up the Camlock fasteners with Camlock mounting points on the base and turn the two fasteners 90° to lock them in place. To release the Camlock repeat the same action in reverse. See the illustration on the next page for details on the floor stand.





Securing the Impression™

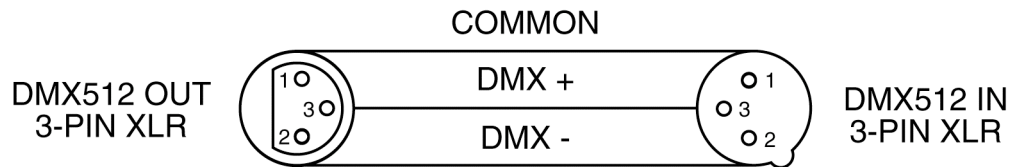
Regardless of the rigging option you choose for your IMPRESSION™ always be sure to secure your fixture with a safety cable. The fixture provides a built-in rigging point for a safety cable on the hanging bracket as illustrated above. Be sure to only use the designated rigging point for the safety cable and never secure a safety cable to a carrying handle.

7. UNDERSTANDING DMX

DMX-512: DMX is short for Digital Multiplex. This is a universal protocol used by most lighting and controller manufactures as a form of communication between intelligent fixtures and controllers. DMX allows all makes and models of different manufactures to be linked together and operate from a single controller. This is possible as long as all the fixtures and the controller are DMX compliant. A DMX controller sends the DMX data instructions to the fixture allowing the user to control the different aspects of an intelligent light. DMX data is sent out as serial data that travels from fixture to fixture via data “IN” and data “OUT” XLR terminals located on the fixtures (most controllers will only have output jacks).

DMX Linking: To ensure proper DMX data transmission always use proper DMX cables and a terminator. When using several DMX fixtures try to use the shortest cable path possible. Never split a DMX line with a “Y” style connector. The order in which the fixtures are connected in a DMX line does not influence the DMX addressing. For example; a fixture assigned a DMX address of 1 may be placed anywhere in the DMX chain, at the beginning, at the end, or anywhere in the middle. The DMX controller knows to send data assigned to address 1 to that fixture no matter where it is located in the DMX chain. The Impression™ can be controlled via DMX-512 protocol. The Impression™ is a 14-channel DMX fixture. The DMX address is set electronically using the controls on the LCD menu.

Data Cable (DMX Cable) Requirements (For DMX and Master/Slave Operation): Your fixture and your DMX controller require a standard 3-pin or 5-pin XLR connector for data input and data output (the figure on the next page is of a 3-Pin XLR connector). If you are making your own cables, be sure to use two conductor shielded digital DMX cable (not microphone cable) rated at 120 ohms; this cable is specifically designed for DMX transmission and may be purchased from your Elation dealer or at most professional lighting retailers. Your cables should be made with a male and female XLR connector on either end of the cable. Also, remember that a DMX line must be daisy chained and cannot be split, unless using an approved DMX splitter such as the Elation Opto Branch 4™ or DMX Branch/4™.

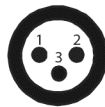


Be sure to follow the above figure when making your own cables. Do not use the ground lug on the XLR connector. Do not connect the cable's shield conductor to the ground lug or allow the shield conductor to come in contact with the XLR's outer casing. Grounding the shield could cause a short circuit and erratic behavior.

DMX Output
3-Pin XLR Socket

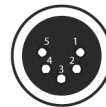


DMX Input
3-Pin XLR Socket

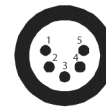


- 1: Ground
- 2: Data (-)
- 3: Data (+)

DMX Output
5-Pin XLR Socket



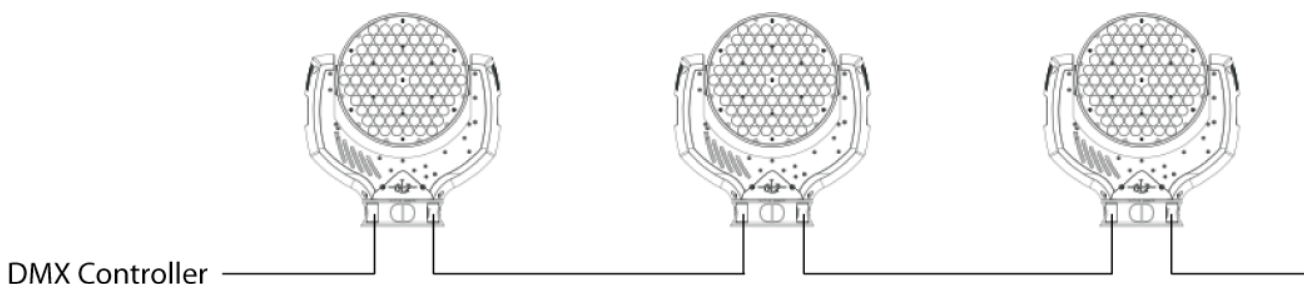
DMX Input
5-Pin XLR Socket



- 1: Ground
- 2: Data (-)
- 3: Data (+)
- 4: Open
- 5: Open

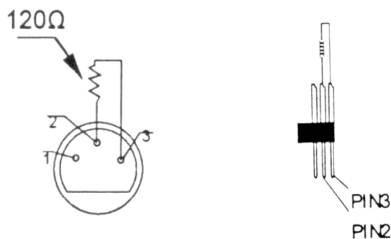
DMX-512 control connection

Connect the provided XLR cable to the female 3-pin XLR output of your controller and the other side to the male 3-pin XLR input of the moving head (Please refer to the diagram below.). You can chain multiple moving heads together through serial linking. The cable needed should be two conductor, shielded cable with XLR input and output connectors. Always be sure daisy chain your in and out data connections, never split or "Y" your DMX connections unless you are using an approved DMX splitter such as the Elation Opto Branch 4™ or DMX Branch/4™.



DMX-512 connection with DMX terminator

A DMX terminator should be used in all DMX lines especially in longer runs. The use of a terminator may avoid erratic behavior in your DMX line. A terminator is a 120 ohm 1/4 watt resistor that is connected between pins 2 and 3 of a male XLR connector (DATA + and DATA -). This fixture is inserted in the female XLR connector of the last fixture in your daisy chain to terminate the line. Using a *line terminator (Elation part: DMX T PACK)* will decrease the possibilities of erratic behavior.



Termination reduces signal errors and avoids signal transmission problems and interference. It is always advisable to connect a DMX terminal, (Resistance 120 Ohm 1/4 W) between PIN 2 (DMX-) and PIN 3 (DMX +) of the last fixture.

5-Pin XLR DMX Connectors. Some manufactures use 5-pin XLR connectors for DATA transmission in place of 3-pin. 5-pin XLR fixtures may be implemented in a 3-pin XLR DMX line. When inserting standard 5-pin XLR connectors in to a 3-pin line a cable adaptor must be used, these adaptors are readily available at most professional lighting retail outlets. The following chart details a proper cable conversion.

3-Pin XLR to 5-Pin XLR Conversion		
Conductor	3-Pin XLR Female (Out)	5-Pin XLR Male (In)
Ground/Shield	Pin 1	Pin 1
Data Compliment (- signal)	Pin 2	Pin 2
Data True (+ signal)	Pin 3	Pin 3
Not Used		Pin 4 - Do Not Use
Not Used		Pin 5 - Do Not Use

Fixture DMX addressing;

All fixtures should be given a DMX starting address when using a DMX controller, so the correct fixture responds to the correct control signal. This digital starting address is the

channel number from which the fixture starts to “listen” to the digital control information sent out from the DMX controller. The allocation of this starting DMX address is achieved by setting the correct DMX address on the digital display located on the head of the fixture.

You can set the same starting address for all fixtures or a group of fixtures, or set different address for each individual fixture. Be advised that setting all your fixtures to the same DMX address will subsequently control all fixtures in the same fashion, in other words, changing the settings of one channel will affect all the fixtures simultaneously.

If you set each fixture to a different DMX address, each unit will start to “listen” to the channel number you have set, based on the quantity of control channels (DMX channels) of each fixture. That means changing the settings of one channel will only affect the selected fixture.

In the case of the Impression™, which is a 14 channel fixture, you should set the starting DMX address of the first unit to 1, the second unit to 15 (14 + 1), the third unit to 29 (14 + 15), and so on.

Note: During start-up the Impression™ will automatically detect whether a DMX data signal is being received or not. If DMX data signal is being received, the display will show "**A.XXX**" (**XXX** representing the actual DMX address). If the fixture is not receiving a DMX signal the display will flash "**A.XXX**" (**XXX** representing the actual DMX address).

If your fixture is connected to a DMX controller and the display is flashing (not receiving a DMX signal), please check the following:

- The 3 PIN XLR plug (cable with DMX signal from controller) is not connected or is not inserted completely into the DMX input jack.
- The DMX controller could be switched off or defective.
- A DMX cable or connector is defective.
- A DMX terminator has not been inserted into the last fixture in your DMX chain.

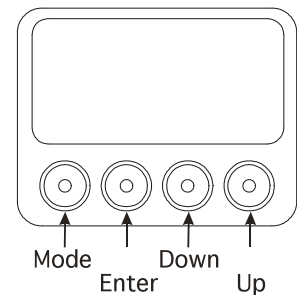
8. FIXTURE MENU

On-Board System Menu: The Impression™ comes with an easy to navigate system menu. This next section will detail the functions of each command in the system menu.

LCD Control Panel: The control panel located on the arm of the fixture allows you to access the main menu and make all necessary adjustments to the **Impression™**. During normal operation, tapping the “**MODE**” key once will access the fixture’s main menu. Once in the main menu you can navigate through the different functions and access the sub-menus with the **Up** and **Down** buttons. Once you reach a field that requires adjusting, tap the **ENTER** button to activate that field and use the **UP** and **Down** button to adjust the field. Tapping the **Enter** button once more will confirm your setting. Once a setting is saved the LED will briefly readout **PASS** to confirm a new setting has been made and locked into memory. You may exit the main menu at any time without making any adjustments by tapping the **MODE** button.

MODE Button - To access the main menu locate the MODE button on the front of the unit. Press this button to activate the system menu. Tap the UP button until you reach the function you wish to change. When you reach the function you wish to change tap the ENTER button once to select that menu function. When a function is selected the menu will begin to flash, use the UP or DOWN button to change the function. Once your changes are made tap the ENTER button yet again to lock the change in the system menu. To exit without making any changes tap the MODE button.

The control panel located on the side of the fixture allows you to access the main menu and make all necessary adjustments to the Impression. During normal operation, tapping the “MODE” key once will access the fixture’s main menu. Once in the main menu you can navigate through the different functions and access the sub-menus with the Up and Down buttons. Once you reach a field that requires adjusting, tap the ENTER button to activate that field and use the UP and Down button to adjust the field. Tapping the Enter button once more will confirm your setting. Once a setting is saved the LED will briefly readout OK to confirm a new setting has been made and locked into memory. You may exit the main menu at any time without making any adjustments by tapping the MODE button.



← MODE - ENTER →				
Level1	Level 2	Level 3	Level 4	Description of Function
DMX Start Address 001				Defines the starting DMX address
Special	Manual DMX			Manual control of all system functions
		Pan		Manual control of the Pan motor (X-movement)
		Pan/Tilt Movements		Manual control of the Pan and Tilt movement
		Special		Activate the White- or Full-Power Mode; see also DMX table
		Dimmer		Manual control of the Dimmer
		Shutter		Manual control of the Shutter
		Blue		Manual control of the blue
		Green		Manual control of the green
		Red		Manual control of the red
		Color Wheel		Manual control of the synthesized color wheel
		Tilt		Manual control of the Tilt motor (Y-movement)
	Display Contrast			Adjustment for the Display contrast
	Default Set			Resets all functions to the factory values
	Adjust	Key code xxxx		Code protection for the calibration menu (for use by authorized technicians only)
		Pan Offset		Calibration for Pan-Offset
		Tilt Offset		Calibration for Tilt-Offset
		Clear EEPROM		Erases the EEPROM flash memory
		Diagnose		Diagnose functions
			Pos Feed Pan Delta	Internal data and function diagnose
			Anz Ti0-Int-Err	Internal data and function diagnose
			PFC Voltage	Displays the present PFC voltage
			Pos Feed Tilt Delta	Internal data and function diagnose
	Temperature Arm			Indicates the arm temperature
	Temperature Head			Indicates the head temperature
	Lamp Off if DMX off			Defines whether the last DMX signal is held or the LEDs are switched OFF in the event of DMX signal interruption
	Position Feedback			Automatic position feedback (correction) for Pan/Tilt movement.
	White Adjust			Adjustments for a uniform white color (white balance); This function only works in 14-channels mode (white-mode)

← DOWN - UP →

← DOWN - UP →

		Red		Input for red adjustments
		Blue		Input for blue adjustments
		Green		Input for green adjustments
	DMX input Monitor			LCD will display the current DMX value for each channel
		Pan		Instantaneous value for Pan
		Pan/Tilt Movements		Instantaneous value for Pan/Tilt movements
		Special		Instantaneous value for Special
		Dimmer		Instantaneous value for Dimmer
		Shutter		Instantaneous value for Shutter
		Blue		Instantaneous value for Blue
		Green		Instantaneous value for Green
		Red		Instantaneous value for Red
		Color Wheel		Instantaneous value for Color Wheel
		Tilt		Instantaneous value for Tilt movement
Live time				Indicates the overall operation time of the system
Display				Adjust the display functionality
	Blackout			Display Blackout ON/OFF
Select DMX Mode				User selectable DMX modes
	Compressed			10 DMX channels
	Normal			14 DMX channels
	High-Resolution			13 DMX channels - Dimmer operates at 16 bit.
White Mode				ON/OFF: Adjustments for white-balance are activated
Reverse Pan				ON/OFF: Inverts Pan movements
Reverse Tilt				ON/OFF: Inverts Tilt movements
Reset				Reset fixture to the home position

9. OPERATION

DMX ADDRESSING - After the fixture is turned “ON” it will immediately complete a reset process that test all the fixture’s functions. When the reset process concludes the LCD will display the fixture’s current DMX. If the fixture is not receiving a DMX signal, the display will flash continuously. To set or adjust a DMX address, please follow the procedure below:

1. While the current three-digit address is flashing use the “UP” and “DOWN” buttons to select a new address. Once the new address has been selected, lock the new address into the fixture’s memory by pressing the “ENTER” button.

The DMX address is non-volatile and will remain in the fixture’s memory even when the power to the unit is switched off. Memory is backed-up and retain by an internal power source that should last about five years

Universal DMX Control: This function allows you to use a universal DMX-512 controller such as the Elation® Show Designer 2™ or Elation® Show Designer 3™ to control head movement, the color wheel, the shutter (strobe), and all other DMX traits. A DMX controller allows you to create unique programs tailored to your individual needs. The Impression™ uses 14 DMX channels. See page 25 for detailed description of the DMX traits. To control your fixture in DMX mode, follow the set-up procedures below as well as the set-up specifications that are included with your DMX controller. Use the controller’s faders to control the various DMX fixture traits. This will allow you to create your own programs.

1. Follow the instruction on page above to set the DMX address.
2. Be sure to use a terminator on the last fixture, especially for longer cable runs (more than a 100 feet).
3. For help operating in DMX mode consult the manual included with your DMX controller.

10. DMX CHANNEL TRAITS:

The chart below details the channel layout for 14 DMX channels (default).

CHANNEL 1: Pan Movement (max. 630° or 540° User Selectable)

CHANNEL 2: 16bit Pan Movement (pan fine)

CHANNEL 3: Tilt Movement (max. 265°)

CHANNEL 4: 16bit Tilt Movement (tilt fine)

CHANNEL 5: Color (Fixed)

CHANNEL 6: Red

CHANNEL 7: Green

CHANNEL 8: Blue

CHANNEL 9: Shutter / Strobe (0-13Hz), and Shutter close/open function + random strobe

CHANNEL 10: Dimmer (Intensity) Control

CHANNEL 11: Color Temperature

CHANNEL 12: Special / Reset

CHANNEL 13: Movement Macros

CHANNEL 14: Speed Control (Pan/Tilt movement)

Normal Mode - 14 DMX Channels

Channel	Function	Time and Value	DMX	HEX	%
1) Pan Coarse	0 .. 660°	Min. 3,2 s	0..255	00..FF	0..100
2) Pan Fine	High- Pos ... High- Pos + 2,6° (16 Bit)		0..255	00..FF	0..100
3) Tilt Coarse	0 .. 300°	Min. 1,5 s	0..255	00..FF	0..100
4) Tilt Fine	High- Pos ... High- Pos + 1,2° (16 Bit)		0..255	00..FF	0..100
5) Color Wheel (Fixed)	Colors adjustable via RGB		0..7	00..07	0..2,5
	Color 01 - Cyan		8..15	08..0F	3..5,5
	Color 02 - Magenta		16..23	10..17	6..8,5
	Color 03 - Yellow		24..31	18..1F	9..12,5
	Color 04 - Lavender		32..39	20..27	13..15,5
	Color 05 - Dark Lavender		40..47	28..2F	16..18,5
	Color 06 - Amber		48..55	30..37	19..21,5
	Color 07 - Deep Golden		56..63	38..3F	22..24,5
	Color 08 - Dark Blue		64..71	40..47	25..27,5
	Color 09 - Pink		72..79	48..4F	28..30,5
	Color 10 - Lime Green		80..87	50..57	31..34,5
	Color 11 - Light Blue		88..95	58..5F	35..37,5
	Color 12 - Red		96..103	60..67	38..40,5
	Color 13 - Green		104..111	68..6F	41..43,5
Color 14 - Blue		112..119	70..77	44..46,5	

Channel	Function	Time and Value	DMX	HEX	%	
	White		120..127	78..7F	47..49,5	
	Rainbow Effect	slow - fast	128..255	80..FF	50..100	
6) Red	Color mixing system - Red	0 - 100%	0..255	00..FF	0..100	
7) Green	Color mixing system - Green	0 - 100%	0..255	00..FF	0..100	
8) Blue	Color mixing system - Blue	0 - 100%	0..255	00..FF	0..100	
9) Shutter	Shutter closed		0..15	00..0F	0..5,5	
	Random Strobe (different pattern)		16..47	10..2F	6..18,5	
	Strobe Pulse effect, slow - fast		48..79	30..4F	19..31,5	
	Strobe, slow - fast	1 Hz .. 10 Hz	80..239	50..EF	32..94,5	
	Shutter open		240..255	F0..FF	95..100	
10) Dimmer	Dimmer (0% - 100%)		0..255	0..FF	0..100	
11) Color temperature	Continuous color temperature correction between 7200k - 3200k	7200k - 3200k	0..255	0..FF	0..100	
12) Special	Max. Power-Mode (*)	Max. light output without white balance	0..15	0..0F	0..5,5	
	White-Mode (*)	White balance used	16..31	10..1F	6..12,5	
	Color1-Chaser C / C+1 Slow – fast	0,7 BPS ... 2,3 BPS => 1,43 s ... 0,43 s	112..127	70..7F	44..49,5	
	Color1-Chaser C / C+2 Slow – fast	0,7 BPS ... 2,0 BPS => 1,43 s ... 0,5 s	128..143	80..8F	50..56,5	
	Fan min. as long as temp. < 60°C		224..229	E0..E5	88..89,5	
	RESET (Normal Mode)		250..255	FA..FF	98..100	
13) Move-ment	No movement		0	00	0	
	Moveme-nt	Size	Phase			
	PAN	1	0°	01..01	01..01	0,5
		1	90°	02..03	02..03	1,0
		1	180°	04..05	04..05	1,7
		1	270°	06..07	06..07	2,5
	PAN	2	0°	08..09	08..09	3,3
		2	90°	10..11	0A..0B	4,1
		2	180°	12..13	0C..0D	4,9
		2	270°	14..15	0E..0F	5,7
	PAN	3	0°	16..17	11..11	6,5
		3	90°	18..19	12..13	7,3
		3	180°	20..21	14..15	8,0
		3	270°	22..23	16..17	8,8
	PAN	4	0°	24..25	18..19	9,6
		4	90°	26..27	1A..1B	10,4
		4	180°	28..29	1C..1D	11,2
		4	270°	30..31	1E..1F	12
		TILT	size / phase see also PAN	32..63	20..3F	13..25
		PAN / TILT	size / phase see also PAN	64..95	40..5F	26..37
	PAN / TILT (inverse)	size / phase see also PAN	96..127	60..7F	38..50	
	Circle	size / phase see also PAN	128..159	80..9F	51..62	
	Circle (inverse)	size / phase see also PAN	160..191	A0..BF	63..75	
	Figure eight	size / phase see also PAN	192..223	C0..D F	76..87	
	Random movement	Size see also PAN	224..255	E0..FF	88..100	
14) Speed	Pan/Tilt relative movement		0..15	00..0F	0..6	

Channel	Function	Time and Value	DMX	HEX	%
Pan/Tilt	Pan/Tilt slow – fast Use this channel 14) also for the speed of the movements (channel 13).	Pan Min. 530° = 200 s Pan Max. 530° = 2,65 s Tilt Min. 285° = 110 s Tilt Max. 285° = 1,8 s	16..255	10..FF	7..100

(*) Max. Power-Mode vs. White-Mode

The Impression™ can regard the white-balance adjustments for each individual color setting. Whether the White-Mode is used with RGB can be selected in the **Normal DMX-Mode** during operation with the Special DMX channel. If the Special channel is set to a value between DMX 0..15, the White-Mode is not used and the RGB goes for the maximum light output. If the Special channel is set to a value between DMX 16..31, the white balance is used for the RGB output.

Using White Balance in “Compressed Mode:”

It is still possible to use the “White Balance” options in “Compressed Mode” even though there is no DMX “Special” channel. This setting can be activated or deactivated directly in the fixture’s system menu. To activate the white balance setting be sure to set the “White-Mode” to “ON”, to deactivate the setting be sure to set the White-Mode to “OFF.” When set to “OFF” all the RGB functions will transition from 0~100%.

Compressed Mode - 10 DMX Channels

Channel	Function	Time and Value	DMX	HEX	%	
1) Pan Coarse	0 .. 660°	Min. 3,2 s	0..255	00..FF	0..100	
2) Pan Fine	High- Pos ... High- Pos + 2,6° (16 Bit)		0..255	00..FF	0..100	
3) Tilt Coarse	0 .. 300°	Min. 1,5 s	0..255	00..FF	0..100	
4) Tilt Fine	High- Pos ... High- Pos + 1,2° (16 Bit)		0..255	00..FF	0..100	
5) Color Wheel (Fixed)	Colors adjustable via RGB		0..7	00..07	0..2,5	
	Color 01 - Cyan		8..15	08..0F	3..5,5	
	Color 02 - Magenta		16..23	10..17	6..8,5	
	Color 03 - Yellow		24..31	18..1F	9..12,5	
	Color 04 - Lavender		32..39	20..27	13..15,5	
	Color 05 - Dark Lavender		40..47	28..2F	16..18,5	
	Color 06 - Amber		48..55	30..37	19..21,5	
	Color 07 - Deep Golden		56..63	38..3F	22..24,5	
	Color 08 - Dark Blue		64..71	40..47	25..27,5	
	Color 09 - Pink		72..79	48..4F	28..30,5	
	Color 10 - Lime Green		80..87	50..57	31..34,5	
	Color 11 - Light Blue		88..95	58..5F	35..37,5	
	Color 12 - Red		96..103	60..67	38..40,5	
	Color 13 - Green		104..111	68..6F	41..43,5	
	Color 14 - Blue		112..119	70..77	44..46,5	
White			120..127	78..7F	47..49,5	
Rainbow Effect	slow - fast		128..255	80..FF	50..100	
6) Red	Color mixing system - Red	0 - 100%	0..255	00..FF	0..100	
7) Green	Color mixing system - Green	0 - 100%	0..255	00..FF	0..100	
8) Blue	Color mixing system - Blue	0 - 100%	0..255	00..FF	0..100	
9) Shutter	Shutter closed		0..15	00..0F	0..5,5	
	Random Strobe (different pattern)		16..47	10..2F	6..18,5	
	Pulse effect , slow - fast		48..79	30..4F	19..31,5	
	Strobe, slow - fast	1 Hz.. 10 Hz		80..239	50..EF	32..94,5
	Shutter open			240...249	F0..F9	95..97,5
	RESET	Min. 3 Sec.		250	FA	98
	Shutter open			251..255	FB..FF	99..100
10) Dimmer	Dimmer (0% - 100%)		0..255	0..FF	0..100	

High Resolution Mode - 13 DMX Channels

Channel	Function	Time and Value	DMX	HEX	%
1) Pan Course	0 .. 660°	min. 3,2 s	0..255	00..FF	0..100
2) Pan Fine	High- Pos ... High- Pos + 2,6° (16 Bit)		0..255	00..FF	0..100
3) Tilt Course	0 .. 300°	min. 1,5 s	0..255	00..FF	0..100
4) Tilt Fine	High- Pos ... High- Pos + 1,2° (16 Bit)		0..255	00..FF	0..100
5) Red Coarse	Color Mix – Red	0 - 100%	0..255	00..FF	0..100
6) Red Fine	Color Mix – Red - High	0 - 100%	0..255	00..FF	0..100
7) Green Coarse	Color Mix – Green	0 - 100%	0..255	00..FF	0..100
8) Green Fine	Color Mix – Green - High	0 - 100%	0..255	00..FF	0..100
9) Blue Coarse	Color Mix – Blue	0 - 100%	0..255	00..FF	0..100
10) Blue Fine	Color Mix – Blue - High	0 - 100%	0..255	00..FF	0..100
11) Shutter	Shutter Closed		0..15	00..0F	0..5,5
	Random Strobe (different pattern)		16..47	10..2F	6..18,5
	Pulse effect, slow - fast		48..79	30..4F	19..31,5
	Strobe, slow - fast	1 Hz .. 10 Hz	80..239	50..EF	32..94,5
	Shutter Open		240..249	F0..F9	95..97,5
	RESET	Min. 3 Sec.	250	FA	98
	Shutter Open		251..255	FB..FF	99..100
12) Dimmer Course	Dimmer (0% - 100%)		0..255	0..FF	0..100
13) Dimmer Fine	Dimmer -High		0..255	0..FF	0..100

11. CLEANING AND MAINTENANCE

The following points have to be considered during the inspection:

1. Be sure all screws and fasteners are securely tightened at all times. Loose screws may fall out during normal operation resulting in damage or injury as larger parts could fall.
2. There must not be any deformations on the housing, color lenses, rigging hardware and rigging points (ceiling, suspension, trussing). Damaged rigging points or unsecured rigging could cause the unit to fall and seriously injure a person.
3. All mechanical parts and motors should not show any traces of serious wear and should rotate freely.
4. Electric power supply cables must not show any damage, material fatigue or sediments. Never remove the ground prong from the power cable.

Further instructions depending on installation and usage have to be adhered to by a skilled installer and any safety problems should be addressed before attempting operation.



CAUTION!

Disconnect from mains before starting maintenance operation.

We recommend frequent cleaning of the fixture, this will ensure operational longevity and crisp light output. When cleaning, please use a moist, lint-free cloth. Never use alcohol or solvents.

There are no user serviceable parts inside this fixture. Please refer all other service related issues to an authorized Elation service technician.

Should you decide to service the fixture yourself please order genuine Elation parts directly from Elation.

12. 2-YEAR LIMITED WARRANTY

A. Elation Professional® hereby warrants, to the original purchaser, Elation Professional® products to be free of manufacturing defects in material and workmanship for a period of two years, (730 days) from the date of purchase. This warranty shall be valid only if the product is purchased within the United States of America, including possessions and territories. It is the owner's responsibility to establish the date and place of purchase by acceptable evidence, at the time service is sought.

B. For warranty service, send the product only to the Elation Professional® factory. All shipping charges must be pre-paid. If the requested repairs or service (including parts replacement) are within the terms of this warranty, Elation Professional® will pay return shipping charges only to a designated point within the United States. If the entire instrument is sent, it must be shipped in its original package. No accessories should be shipped with the product. If any accessories are shipped with the product, Elation Professional® shall have no liability what so ever for loss of or damage to any such accessories, nor for the safe return thereof.

C. This warranty is void if the serial number has been altered or removed; if the product is modified in any manner which Elation Professional® concludes, after inspection, affects the reliability of the product; if the product has been repaired or serviced by anyone other than the Elation Professional® factory unless prior written authorization was issued to purchaser by Elation Professional®; if the product is damaged because not properly maintained as set forth in the instruction manual.

D. This is not a service contract, and this warranty does not include maintenance, cleaning or periodic check-up. During the period specified above, Elation Professional® will replace defective parts at its expense, and will absorb all expenses for warranty service and repair labor by reason of defects in material or workmanship. The sole responsibility of Elation Professional® under this warranty shall be limited to the repair of the product, or replacement thereof, including parts, at the sole discretion of Elation Professional®. All products covered by this warranty were manufactured after January 1, 1990, and bare identifying marks to that

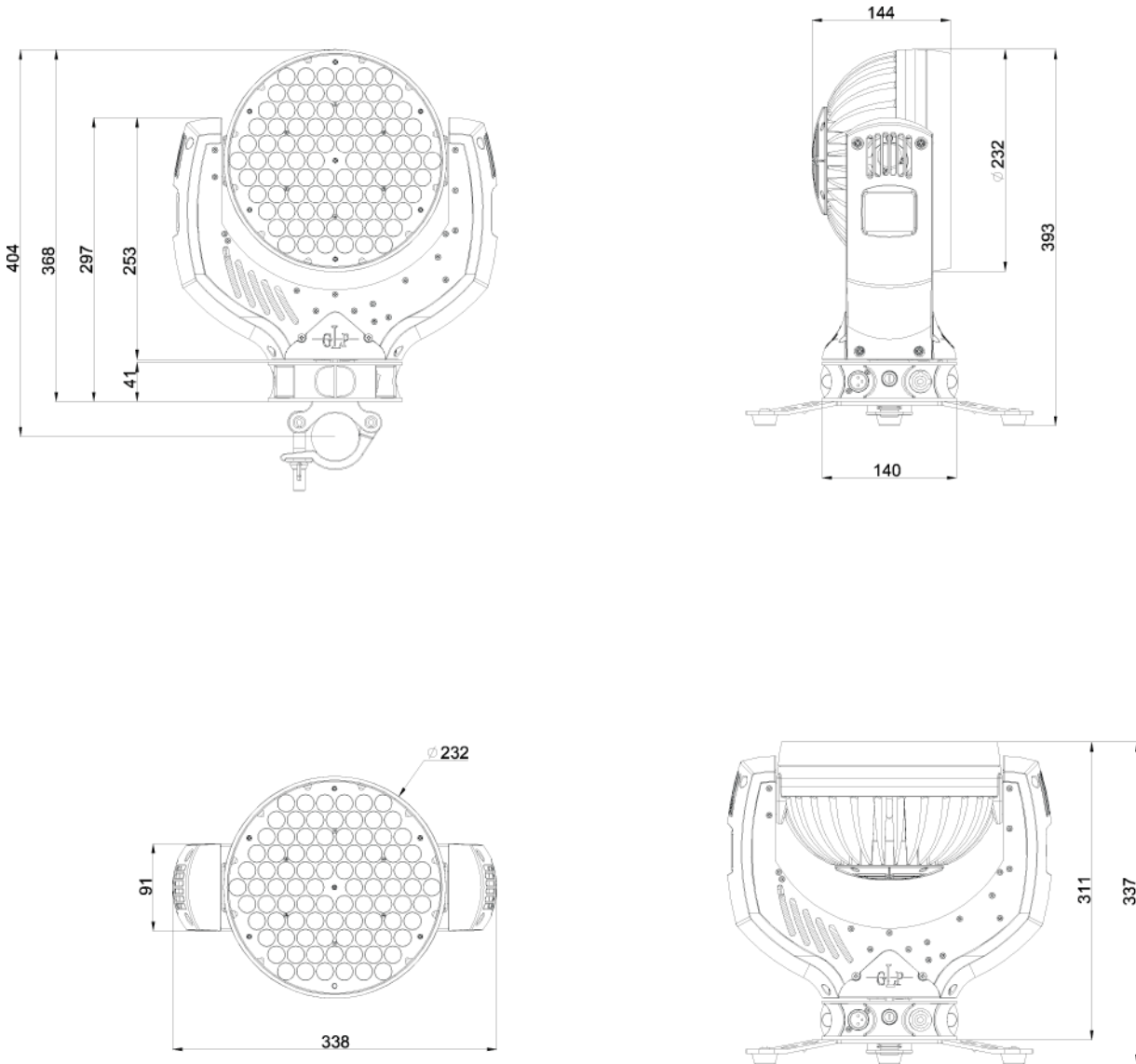
effect.

E. Elation Professional® reserves the right to make changes in design and/or improvements upon its products without any obligation to include these changes in any products theretofore manufactured.

F. No warranty, whether expressed or implied, is given or made with respect to any accessory supplied with products described above. Except to the extent prohibited by applicable law, all implied warranties made by Elation Professional® in connection with this product, including warranties of merchantability or fitness, are limited in duration to the warranty period set forth above. And no warranties, whether expressed or implied, including warranties of merchantability or fitness, shall apply to this product after said period has expired. The consumer's and or Dealer's sole remedy shall be such repair or replacement as is expressly provided above; and under no circumstances shall Elation Professional® be liable for any loss or damage, direct or consequential, arising out of the use of, or inability to use, this product.

G. This warranty is the only written warranty applicable to Elation Professional® Products and supersedes all prior warranties and written descriptions of warranty terms and conditions heretofore published.

13. DIMENSIONAL DRAWINGS:



14. TECHNICAL SPECIFICATIONS

Power supply	
Power consumption	350 VA (Watt)
Power Input	100-240 V AC, 50-60 Hz (wide range input)
Fuse protection	Micro-fuse 5x20 mm, T 4A
Operational Parameters	
Max. Ambient Temperature	45°C (integrated overheating switch)
Mounting Position	Any (see chapter mounting)
Lighting System - Additive Color mixing	
LED Type	90x Luxeon K2 High-power- LEDs
Lifetime	100.000 h
30 LEDs per color, wavelength optimized for maximum presentable color space	
Optical System	
High efficient Collimator cluster	
Exchangeable optical carrier with 10° light distribution angle (25° optional)	
Scattering light aperture	
Shutter / Dimmer (8 Bit)	
Strobe- Effect with variable speed between 1 - 10 flashes per second, Random-Strobe, Pulse-Effects	
Continuous Dimmer 0 - 100%	
DMX Control	
Standard USITT DMX-512, 3 pole XLR; [+] = Pin 3 [-] = Pin 2 [Ground] = Pin 1. Die DMX- Addressing starts at the DMX channel [001].	
Pan / Tilt (8/16 Bit)	
Pan- movement	660° in min. 3.2 seconds (Position Feedback)
Tilt- movement	300° in min. 1.5 seconds (Position Feedback)
Weights and Measures	
Width of the base	340 mm / 13.4"
Length of the base	145 mm / 5.7"
Height (head vertical)	370 mm / 14.6"
Weight (net)	7.5 kg / 16.5 lbs

Please Note: Specifications and improvements in the design of this unit and this manual are subject to change without any prior written notice.

Elation Professional
6122 S. Easter Ave.
Los Angeles, CA. 90040
323-582-3322 / 323-832-9142 fax
www.ElationLighting.com / Info@ElationLighting.com

Free Manuals Download Website

<http://myh66.com>

<http://usermanuals.us>

<http://www.somanuals.com>

<http://www.4manuals.cc>

<http://www.manual-lib.com>

<http://www.404manual.com>

<http://www.luxmanual.com>

<http://aubethermostatmanual.com>

Golf course search by state

<http://golfingnear.com>

Email search by domain

<http://emailbydomain.com>

Auto manuals search

<http://auto.somanuals.com>

TV manuals search

<http://tv.somanuals.com>