

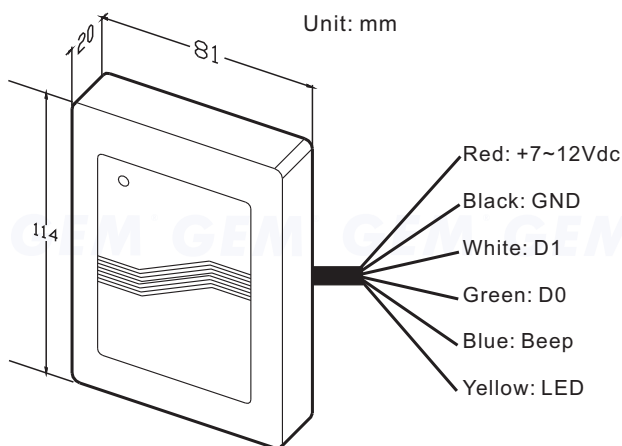


Statement

The RD-100M Mifare Proximity Reader is suitable for remote locations used in conjunction with an on-line system. It is designed to mount on a standard-single-gang electric wall box or on the surface of an interior or exterior wall. The electronics are potted with potting compound which protects the reader from harsh environmental conditions.

This unit is compatible with Mifare1 Cards with operating frequency of 13.56 MHz (HF) which is capable of reading any the Mifare cards serial number. It supports Wiegand 26 bits output Wiegand 26 bits that allows you to connect to any Wiegand output controllers.

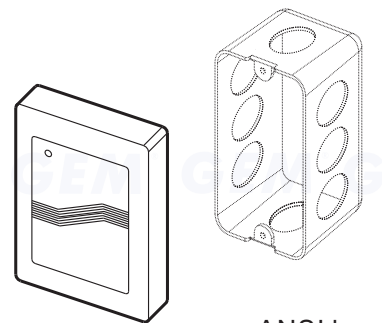
Dimension



- Standard Wiegand 26 bits output
- Mifare 1K compatible
- Electronics potted with epoxy compound applications
- Compatible with all Wiegand access controllers
- Suitable for fully weatherized indoor/outdoor
- Fit any standard single gang electrical box

Specifications

- Operating Voltage: 7~12 Vdc
- Current Draw: Average 110mA, Peak 140mA @ 12Vdc
- Transmitting Frequency : 13.56 MHz (Mifare 1K compatible. Code Processing: Check card serial number reading only
- Output Format: Wiegand 26-bit hexadecimal
- Read Range: 5~7 cm)Depending on local installation conditions(
- Case Material: ABS)UL94V0(
- Colour: Dark gray
- Operating Temperature: -10~+55 C
- Ambient Humidity: 0~95% relative humidity non-condensing
- Visual Signals: Bi-color)Red/Green(
- EMC: Meet CE requirement
- Cable: 6 conductor (#24 AWG) stranded with shield for Typical Wiegand installation



ANSI box

Warranty

The product is warranted against defects in material and workmanship while used in normal service for a period of 1 year from the date of sale to the original customer. The GEM policy is one of continual development and improvement; therefore GEM reserves the right to change specifications without notice.

GIANNI INDUSTRIES, INC.

No. 13, Zhong Sing Road, Tu-Cheng Industrial Zone,
Tu-Cheng City, Taipei, Taiwan 23678
Tel: 886-2 2267 7986 / Fax: 886-2 2267 9876
E-Mail: info@gianni.com.tw
Website: gianni.tw

Copyright 2008 Gianni industries, inc. All rights reserved.
DM-CA-RD-100M Ver. D Published on 2008.07.30



The products are manufactured under an ISO 9001 & QC 080000 Certified Quality Management Program environment back its product quality, performance and commitment to customer satisfaction.

Free Manuals Download Website

<http://myh66.com>

<http://usermanuals.us>

<http://www.somanuals.com>

<http://www.4manuals.cc>

<http://www.manual-lib.com>

<http://www.404manual.com>

<http://www.luxmanual.com>

<http://aubethermostatmanual.com>

Golf course search by state

<http://golfingnear.com>

Email search by domain

<http://emailbydomain.com>

Auto manuals search

<http://auto.somanuals.com>

TV manuals search

<http://tv.somanuals.com>