

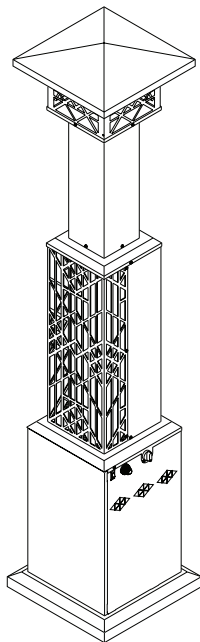


PROPANE/LP GAS LIGHT HEATER OWNER'S MANUAL

MODELS TD100, TD102, TD104 AND TD110

Adjustable Temperature
Settings:
Low - 20,000 Btu
High - 36,500 Btu

**⚠ WARNING: For
Outdoor Use Only**



⚠ WARNING: Read and understand this manual before assembling, starting, or servicing heater. Improper use of heater can cause serious injury, property damage, or death. Keep this manual for future reference.

**INSTALLER: Leave this manual with the appliance.
CONSUMER: Retain this manual for future reference.**

FOR YOUR SAFETY

Do not store or use gasoline or other flammable vapors and liquids in the vicinity of this or any other appliance.

FOR YOUR SAFETY

If you smell gas:

- 1. Shut off gas to the appliance.**
- 2. Extinguish any open flame.**
- 3. If odor continues, immediately call your gas supplier.**

Fill In For Your Records

Model No. _____
(Located on side panel)

Serial No. _____
(Located on side panel)

Date of Purchase _____

For more information, visit www.desatech.com

TABLE OF CONTENTS

Safety Information	2	Wiring Diagram	9
Product Identification	4	Illustrated Parts Breakdown and Parts List	10
Unpacking Heater	4	Troubleshooting	14
Assembly	5	Replacement Parts	15
Operation	7	Technical Service	15
Storage	8	Accessory	15
Maintenance	9	Warranty Information	16
Specifications	9		

SAFETY INFORMATION

⚠ WARNING: This product contains and/or generates chemicals known to the state of California to cause cancer or birth defects, or other reproductive harm.

⚠ WARNING: Fire, burn, inhalation, and explosion hazard. Keep solid combustibles, such as building materials, wood, vinyl siding, paper or cardboard, a safe distance away from the heater as recommended by the instructions. Never use the heater in spaces which do or may contain volatile or airborne combustibles, or products such as gasoline, solvents, paint thinner, dust particles or unknown chemicals.

⚠ WARNING: Improper installation, adjustment, alteration, service or maintenance can cause injury, property damage, or death. Read the installation, operating, and maintenance instructions thoroughly before installing or servicing this equipment.

⚠ WARNING: For use only outdoors in a well ventilated space. Do not use heater indoors or in a building or garage or any unventilated or enclosed areas.

The heater is designed for use as an infrared patio heater in accordance with the applicable requirements CSA 5.90 U.S Infrared Patio Heaters, CAN 1-2.23 Portable Infra Red Heaters for Canada. Other standards govern the

use of fuel gases and heating products for specific uses. Your local authority can advise you about these. The primary purpose of outdoor patio heaters is to provide heating of residential and nonresidential spaces. Properly used, the heater provides safe economical heating.

We cannot foresee every use which may be made of our heaters. **CHECK WITH YOUR LOCAL FIRE SAFETY AUTHORITY IF YOU HAVE QUESTIONS ABOUT HEATER USE.**

Carbon Monoxide Poisoning: Some people are more affected by carbon monoxide than others. Early signs of carbon monoxide poisoning resemble the flu, with headaches, dizziness and/or nausea. If you have these signs, the heater may not be working properly. **Get fresh air at once!** Have heater serviced.

Propane/LP Gas: Propane/LP gas is odorless. An odor-making agent is added to propane/LP gas. The odor helps you detect a propane/LP gas leak. However, the odor added to propane/LP gas may fade. Propane/LP gas may be present even though no odor exists.

Make certain you read and understand all warnings. Keep this manual for reference. It is your guide to safe and proper operation of this heater.

1. Install and use heater with care. Follow all local ordinances and codes. In the absence of local ordinances and codes, refer to the *Standard for Storage and Handling of Liquefied Petroleum Gas, ANSI/NFPA 58, CSA/-B149 Installation CODE*. This instructs on the safe storage and handling of propane/LP gases.
2. Use only propane/LP gas set up for vapor withdrawal in a 20 lb. cylinder. Cylinder must be constructed and marked in accordance with specifications for propane/LP cylinders of the U.S. Department of Transportation (DOT) or the *National Standard of Canada CAN/CSA-B339*. The cylinder must be provided with a shutoff valve terminating in a propane/LP supply cylinder valve outlet. The valve must have external threads and marked "Use with Type 1" and

SAFETY INFORMATION

Continued

a safety relief device having a direct communication with the vapor space of the cylinder. The cylinder used must include a collar to protect the cylinder valve. The cylinder must be equipped with a listed over filling protection device.

- Keep appliance area clear and free from combustible materials, gasoline, paint thinner and other flammable vapors and liquids. Dust is combustible. Do not use heater in areas with high dust content.
- Minimum heater clearances from combustibles: Back 4" (10.2 cm), Sides 12" (30.5 cm); Front 42" (1.07 m); Top 16" (40.6 cm) (see Figure 1).
- Before each use, check heater for leaks. Never use an open flame to check for a leak. Apply a mixture of liquid soap and water to all joints. Bubbles forming show a leak. Correct all leaks at once.
- Keep propane/LP cylinder below 100° F (38° C).
- Use only the hose and factory preset regulator provided with the heater. Do not adjust regulator as gas leaks may occur.
- Locate hose properly, keeping it out of pathways where people may trip over it or in areas where the hose may be subjected to accidental damage.
- Check hose before each use of heater. Disconnect hose with 9/16" wrench. Check for tears and abrasions in hose and on regulator. If highly worn or cut, replace with hose specified by manufacturer before using heater.
- Do not alter heater. Keep heater in its original state. Do not use heater if altered.
- Locate heater on stable and level surface.
- Do not operate heater while sleeping or leave heater unattended.
- Never move, handle or service a hot or operating heater. Severe burns may result. You must wait 20 minutes after turning heater off.
- To prevent injury, wear gloves when handling heater.
- Turn off heater valve and gas supply to heater when not in use.
- Use only original replacement parts. This heater must use design-specific parts. Do not substitute or use generic parts. Improper replacement parts could cause serious or fatal injuries.
- Certain materials or items, when stored in front of heater, will be subjected to radiant heat and could be seriously damaged.
- Shut heater off immediately if flashback occurs (flame inside burner tube). Have heater serviced.
- Never attempt to use heater or any components that have been damaged or exposed to accidental fire.
- If you smell gas or suspect a leak, shut off propane/LP cylinder valve at once. Ventilate area. Do not strike a match or create any flame or electric spark. Find and correct leak before attempting to light any appliance.
- Do not block intake air openings.

Any guard or other protective device removed for servicing must be replaced prior to operating the heater.

Surface temperatures become very hot when operating heater. Children and adults should stay away to avoid burns or clothing ignition.

Young children should be carefully supervised when they are in the area of the heater.

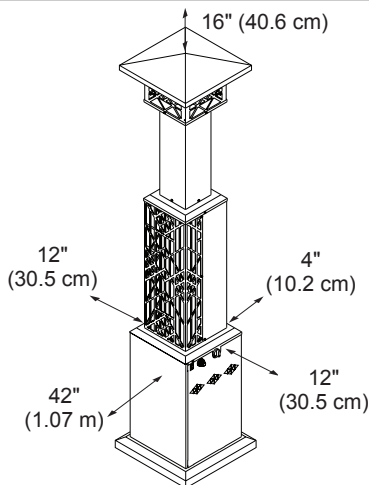


Figure 1 - Clearances from Combustibles

SAFETY INFORMATION

Continued

Clothing or other flammable materials should not be hung from the heater or placed on or near heater.

Installation and repair should be done by a qualified service person. Heater should be inspected before use and at least annually by a qualified service person. More frequent cleaning may be required as necessary. It is imperative that control compartments, burners, and circulating air passageways of the heater be kept clean.

CAUTION: The gas pressure regulator provided with this appliance must be used. This regulator is set for an output pressure of 28" W.C. (1 P.S.I.).

22. If replacement is required, use only regulator with same setting. See *Parts List* page 13.
23. Use correct pressure specifications, see page 9.
24. Propane/LP gas cylinder is not provided. Use a 20 lb. propane/LP gas cylinder marked propane. The cylinder supply system must be arranged for vapor withdrawal. The cylinder used must include a collar to protect the cylinder valve. The cylinder must be provided with a shutoff valve terminating in a propane/LP gas supply cylinder valve outlet specified, as applicable, for connection no. 600 in the Compressed Gas Association's *Limited Standard Cylinder Valve Outlet Connection for Propane Small Valve Series*.

PRODUCT IDENTIFICATION

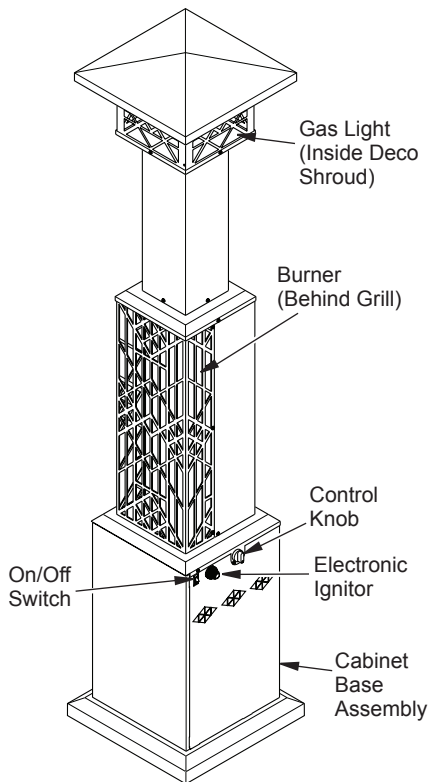


Figure 2 - Outdoor Patio Heater with Light

UNPACKING HEATER

Check all items for shipping damage. If heater is damaged, promptly inform dealer where you bought heater.

1. Remove base and weight from box.
2. Remove top cap, 2 deco light shrouds, top and packaging materials from box. Set parts aside in a safe location.
3. Remove burner assembly from box, leaving packaging materials on bottom of assembly. Set aside in the upright position.
4. Remove lightpost pieces, cabinet base and tank door from box. Set aside.

ASSEMBLY

Estimated assembly time: 45 minutes

Tools required:

- #2 Phillips screwdriver
- 9/16" and 5/16" Open end wrenches

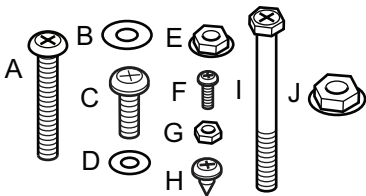
Hardware packet provided with heater may contain more parts than needed for heater assembly.

Hardware packet contains the following items shown on pages 10 through 13:

Electronic Ignitor (1), Ignitor Wire (1), Ground Wire (1), Valve Knob (1), Propane Tank Retention Chain (1), Retention Hook (2), D Batteries (2) and AA Battery (1).

Parts are referenced by designated letter throughout assembly instructions. Hardware packet contains the following (quantity used in parenthesis):

Description	Part No.
A 1 1/2" Screw (8)	119619-01
B 7 mm Washer (8)	119600-04
C 5/8" Screw (9)	119619-03
D 5 mm Washer (9)	119600-02
E Hex Nut No. 10 (9)	NPC-3C
F 3/8" Screw (20)	119619-06
G Hex Nut (20)	NPC-1C
H 3/8" Self tapping screw (34)	119620-02
I 2 1/4" Hex Bolt (2)	HC4-18C
J 5/16" Hex Nut (2)	NPC-5C



BASE ASSEMBLY

1. Turn base upside down. Attach 2 wheels, 2 axles (I) and 2 nuts (J) as shown in Figure 3. Do not overtighten.
2. Attach 4 base feet to base weight with 4 washers (B) and 4 screws (A) as shown in Figure 4. Feet will install over raised areas underneath base weight.
3. Being careful not to scratch paint, lay cabinet base onto back side (use foam packaging block to support rear top of cabinet base). Align holes in bottom edges of cabinet base with holes in base as shown in Figure 4. Attach with 1 screw (C), 1 washer (D) and 1 nut (E) for each of the 9 holes (see Figure 4). Set assembly upright.
4. Attach base to weight with 4 screws (A) and 4 washers (B) as shown in Figure 4.

5. Install chain retainers ("S" hooks) to upper edges of cabinet base as shown in Figure 4.
6. Install electronic ignitor through cabinet wall as shown in Figure 4. Hand tighten.
7. Attach tank door to cabinet with 4 screws (F) and 4 nuts (G) as shown in Figure 4. Set entire assembly aside.

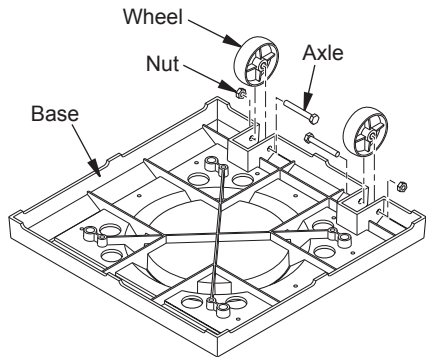


Figure 3 - Attaching Wheels to Base

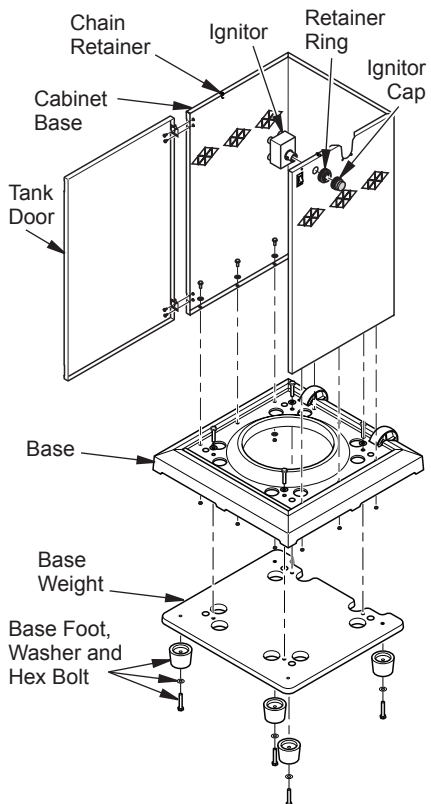


Figure 4 - Cabinet Base Assembly

ASSEMBLY

Continued

BURNER AND LIGHTPOST ASSEMBLY

1. Locate 4 lightpost panels that are packaged together. Assemble 3 of the pieces with 4 screws (H) as shown in Figure 5.
2. Place lightpost top over panel assembly aligning screw holes. Attach with 3 screws (H) as shown in Figure 5.
3. Pilot light and wiring has been placed inside top of burner assembly for shipping. Carefully remove pilot from inside assembly and let wiring and pilot hang down back of assembly.
4. Place lightpost panels and top assembly on top of burner assembly aligning back side of each assembly. See Figure 6. Attach with 3 screws (H).
5. Place pilot assembly on top of lightpost top as shown in Figure 7. Attach with 4 screws (H). Check wire connections before proceeding.
6. Attach 4 light shroud screens to light shrouds with 4 screws (F) and 4 nuts (G) each as shown in Figure 7. Only 2 of the 4 screens are shown.
7. Place deco light shrouds on top of lightpost top (see Figure 7). Make sure flanges are on top. Slide shroud tabs together. Attach to lightpost top with 4 screws (H) through holes in bottom of shroud pieces (see Figure 7). Tighten all screws.
8. Attach lightpost top cap to shroud assembly with 4 screws (H) as shown in Figure 7.

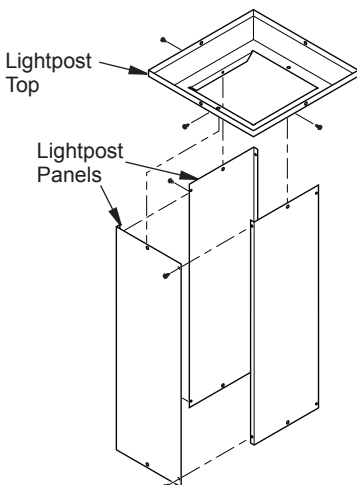


Figure 5 - Lightpost Panels and Top Assembly

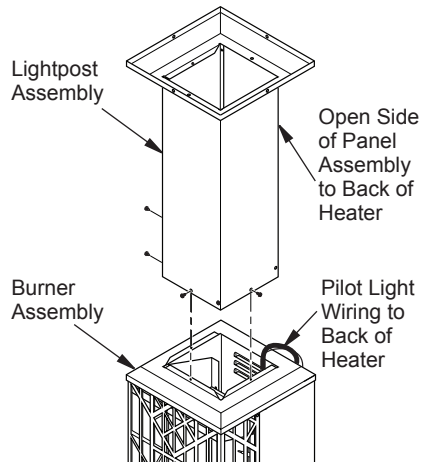


Figure 6 - Connecting Lightpost and Burner Assembly

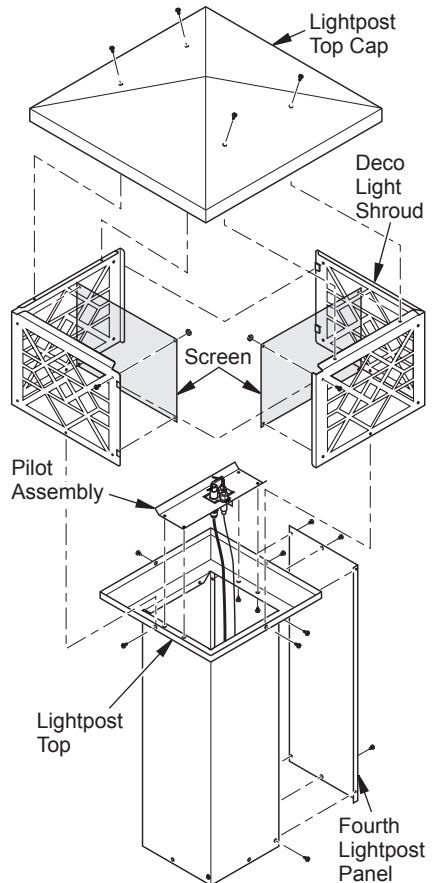


Figure 7 - Attaching Pilot and Shroud

ASSEMBLY

Continued

HEATER ASSEMBLY

Note: If needed, acquire assistance lifting assembly.

1. Place entire lightpost assembly on top of cabinet base assembly. Attach with 4 screws (H) as shown in Figure 8. Install 2 screws (H) into holes on each side of control valve. Attach control valve nut and control knob to control valve.
2. Connect 2 brown wires to ON/OFF switch.

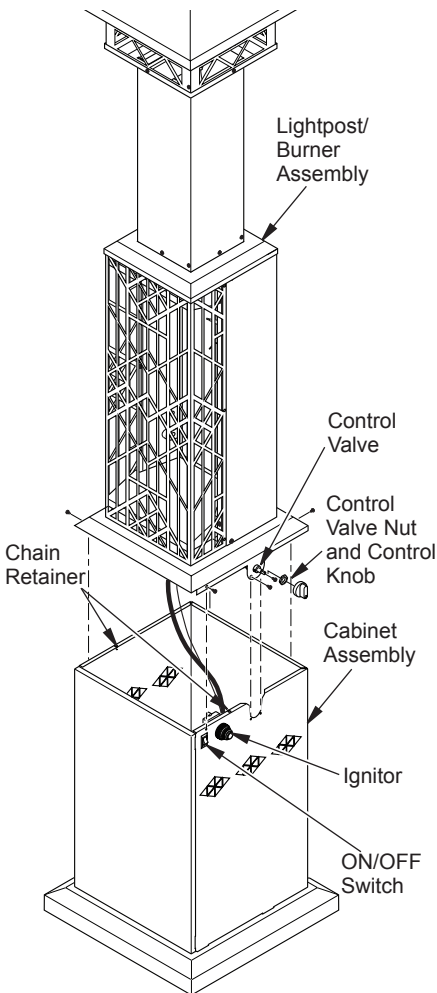


Figure 8 - Attaching Lightpost/Burner Assembly to Cabinet Assembly

3. Connect white ground wire attached to cabinet to right post on electronic ignitor. Remove wire tie. Connect black ignitor wire to left post on electronic ignitor. Install battery in ignitor as shown on page 12.
4. Install batteries in battery holder as shown on page 12. Do not mix batteries.
5. Connect regulator to gas cylinder, see *Operation*. Gas cylinder will sit inside of cabinet assembly.
6. Check for leaks. See *Checking for Leaks* page 8.
7. Attach fourth lightpost panel to assembly with 6 screws (H) as shown in Figure 7, page 6.

OPERATION

⚠ CAUTION: Do not stand in front of heater while lighting. Stand at the side when lighting the heater.

Use only a 20 lb. propane/LP cylinder (not included). See safety information for proper cylinder selection. Connect the hose/regulator assembly to the cylinder (see Figure 9). The hose should already be connected to the heater. Connect hose to the valve inlet (see Figure 9). Tighten firmly using a wrench.

Route retention chain through at least one of the handles of the propane/LP tank (see Figure 9). Make sure to route chain through handle on tank and NOT around tank valve. Chain must not interfere with valve. Attach hooks on both ends of chains to chain retainers installed on cabinet base (see Figure 8).

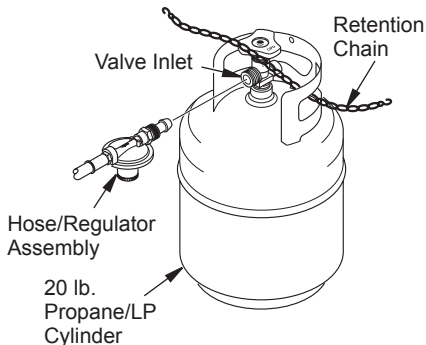


Figure 9 - Connecting Hose/Regulator Assembly to Propane/LP Cylinder

OPERATION

Continued

CHECKING FOR LEAKS

1. Turn heater valve to OFF position.
2. Turn cylinder supply valve fully counter clockwise to OPEN position.
3. Use a noncorrosive leak detection solution to check the connection for leaks before attempting to light heater. If leak is found, turn cylinder valve to CLOSE and do not use until all leaks are corrected.

LIGHTING INSTRUCTIONS

Gas Light

1. Press power switch to ON, gas light will automatically light.
2. Press power switch to OFF to turn gas light off.
3. To turn off gas supply to gas light, turn knob on manual shutoff valve to OFF. Manual shutoff valve is located on gas train assembly inside of heater cabinet.

Note: Be sure manual shutoff valve is in the ON position to operate gas light.

Main Burner

1. Push heater control knob in and turn counter clockwise to the START position.
2. Push control knob in and press ignitor button. Repeat until heater is lit.
3. Continue holding knob in for approximately 30 seconds. Heater should remain lit in the LOW heat setting.
4. For more heat, press knob and rotate counterclockwise to HIGH setting.
5. If RELIGHTING, wait 5 minutes for heater to cool and gas to clear, then follow steps 1 through 3.

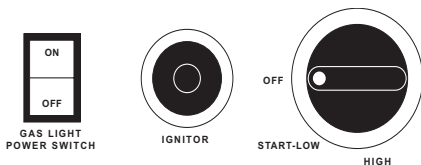


Figure 10 - Gas Light Heater Controls

SHUTDOWN INSTRUCTIONS

1. Press control knob and rotate clockwise to OFF position.
2. Close propane/LP cylinder valve (rotate knob clockwise).

BURNER OPERATION

Visually inspect burner for proper operation. The burner should glow red with a minimum amount of flame lap after initial firing. If flame lap on burner is excessive, have heater serviced. Pressure may be too high or nozzle/burner may be damaged.

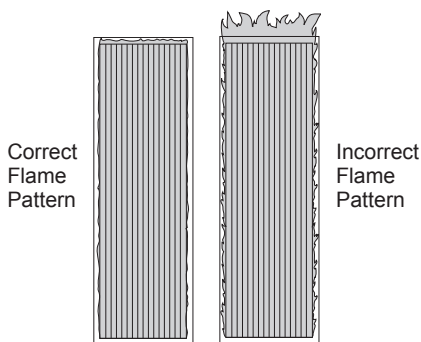


Figure 11 - Burner Operation

STORAGE

CAUTION: Disconnect heater from propane/LP supply cylinder.

1. Do not store heater while attached to propane/LP cylinder. Close cylinder valve. Remove the hose/regulator assembly from the propane/LP cylinder by turning the fuel gas connector nut clockwise.
2. Storage of heater inside is permissible only if the cylinder is disconnected and removed from the appliance.
3. Store propane/LP cylinder in safe manner. Refer to Chapter 5 of *Standard for Storage and Handling of Liquefied Petroleum Gases, ANSI/NFPA 58*. Follow all local codes. Cylinders must be stored outdoors in a well-ventilated area out of reach of children. Disconnected cylinders must have threaded valve plugs tightly installed, and must not be stored in a building, garage or any other enclosed area. Never store cylinders near high heat, open flame, or where temperatures exceed 100° F (38° C).
4. Store in a dry, clean, and safe place.

MAINTENANCE

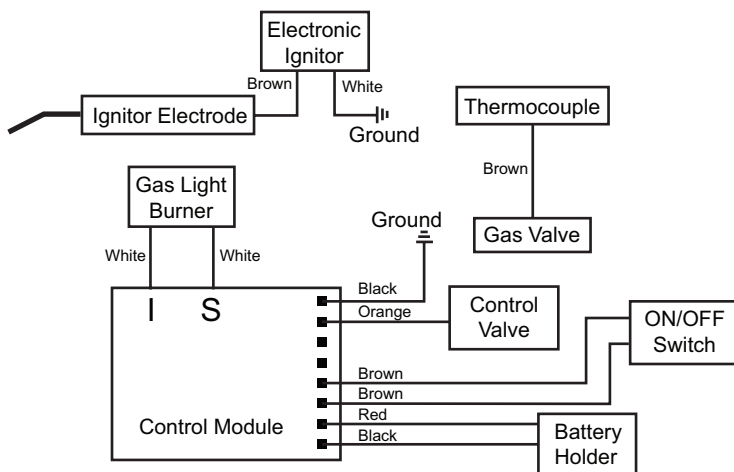
⚠ WARNING: Never attempt to service heater while it is connected to propane/LP supply, operating, or hot. Severe burns can occur. Any guard or other protective device removed for servicing must be replaced prior to operating the heater.

1. Keep heater clean. Remove any debris from ventilation openings.
2. Inspect heater before each use. Check connections for leaks. Apply mixture of liquid soap and water to connections. Bubbles forming show a leak that must be corrected. Correct all leaks at once.
3. Inspect hose/regulator assembly before each use. If hose is highly worn or cut, replace it immediately. At least annually, remove hose/regulator assembly from heater to inspect entire length of hose. Replacement hose must be same type as supplied with unit.
4. Spiders and insects can create a dangerous condition that may damage heater or make it unsafe. Keep burner area clean of all spiders, webs, or insects.
5. Have heater inspected yearly by a qualified service person.

SPECIFICATIONS

- Rating: High - 36,500 Btu/Hr (10.7 kw)
Low - 20,000 Btu/Hr (5.86 kw)
- Fuel: Propane Vapor Only
- Fuel Consumption/Hour: Min. 0.22 gal (0.83 liter), Max. 0.39 gal (1.48 liter)
Min. 0.93 lb (0.42 kg), Max 1.67 lb (0.76 kg)
- Supply Pressure (To Regulator):
Maximum - 200 psi (1,379 Kpa)
Minimum, for input adjustment - 5 psi (34.5 Kpa)
- Manifold Pressure: High - 1 psi (6.89 kPa),
Low - 0.98 psi (6.77 kPa)
- Ignitor Gap: 0.120"
- Minimum Temperature: -20°F (29°C)
Surrounding Air Temperature
- Heater Size (L x W x H):
18" x 17.125" x 82" (0.45 x 0.43 x 2.1 m)
- Carton Size (L x W x H):
38.625" x 18.125" x 18" (0.98 x 0.46 x 0.45 m)
- Heater Weight: 96 lb (43.5 kg)
- Shipping Weight: 110 lb (49.9 kg)

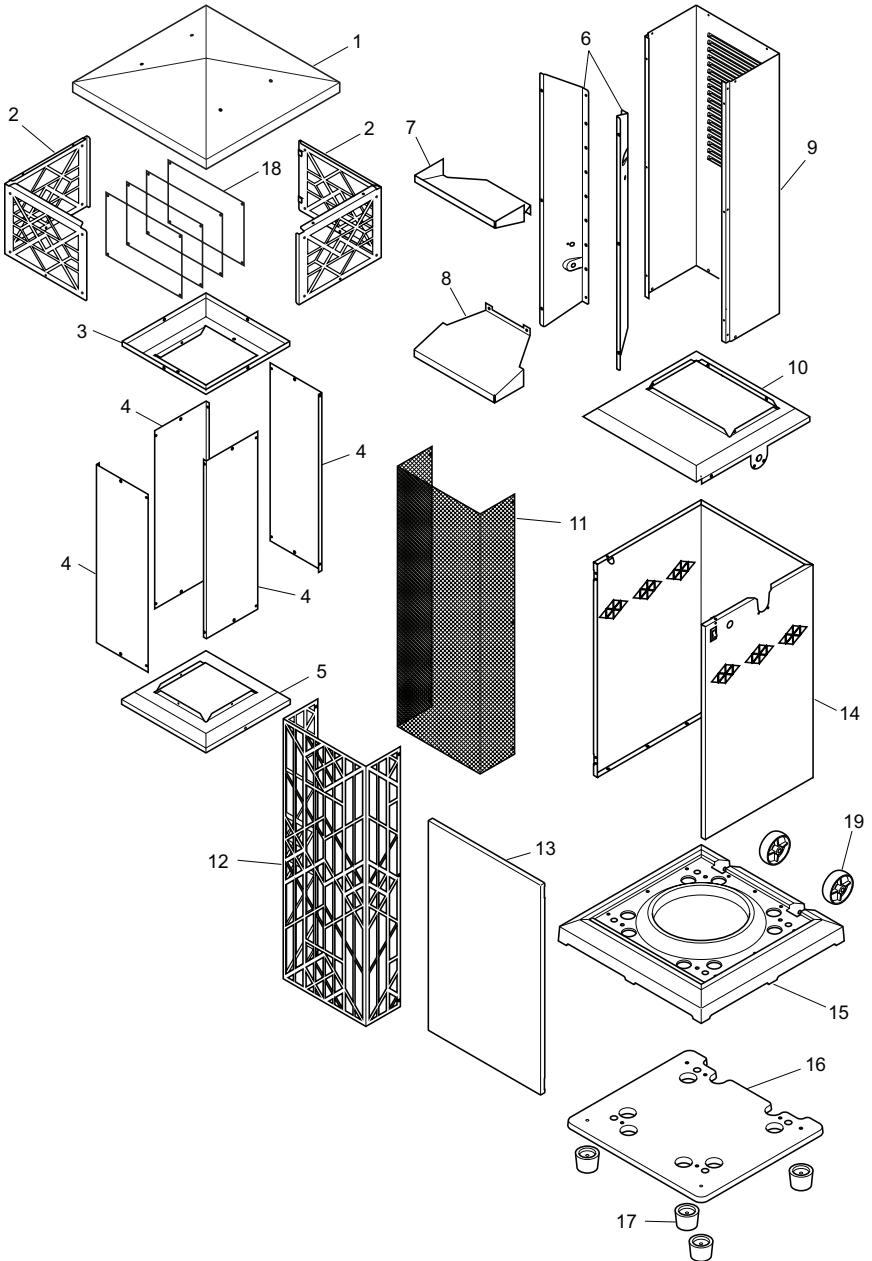
WIRING DIAGRAM



ILLUSTRATED PARTS BREAKDOWN

CABINET ASSEMBLY

MODELS TD100, TD102, TD104 AND TD110



PARTS LIST

CABINET ASSEMBLY

MODELS TD100, TD102, TD104 AND TD110

This list contains replaceable parts used in your heater. When ordering parts, follow the instructions listed under *Replacement Parts*, page 15.

KEY NO.	PART NO.	DESCRIPTION				QTY.
			TD100, TD110	TD102	TD104	
1	118890-01	Lightpost Top Cap	•	•	•	1
	118890-02	Lightpost Top Cap	•	•	•	1
2	118891-01	Deco Light Shroud Assembly, Mission	•	•	•	2
	118891-02	Deco Light Shroud Assembly, Ornate	•	•	•	2
3	118892-01	Lightpost Top	•	•	•	1
	118892-02	Lightpost Top	•	•	•	1
4	118885-01	Lightpost Panel	•	•	•	4
	118885-02	Lightpost Panel	•	•	•	4
5	118884-01	Lower Burner Housing Top	•	•	•	1
	118884-02	Lower Burner Housing Top	•	•	•	1
6	118887-01	Reflector Right/Left	•	•	•	2
7	118888-01	Reflector Top	•	•	•	1
8	118889-01	Reflector Bottom	•	•	•	1
9	118883-01	Lower Burner Housing	•	•	•	1
	118883-02	Lower Burner Housing	•	•	•	1
10	118882-01	Cabinet Base Top	•	•	•	1
	118882-02	Cabinet Base Top	•	•	•	1
11	119004-01	Lower Screen	•	•	•	1
12	118900-01	Front Lower Burner Grate, Mission	•	•	•	1
	118900-02	Front Lower Burner Grate, Ornate	•	•	•	1
13	118905-01	Base Cabinet Door	•	•	•	1
	118905-02	Base Cabinet Door	•	•	•	1
14	118881-01	Cabinet Base	•	•	•	1
	118881-02	Cabinet Base	•	•	•	1
15	118899-01	Lightpost Base	•	•	•	1
16	118901-01	Lightpost Base Weight	•	•	•	1
17	118902-01	Base Foot	•	•	•	4
18	119005-01	Upper Screen	•	•	•	4
19	118849-01	Wheel	•	•	•	2
*	119423-01	Accessory Cover (not shown)	•	•	•	1

* Available as accessory for models TD100, TD102 and TD110.

ILLUSTRATED PARTS BREAKDOWN

GAS COMPONENTS

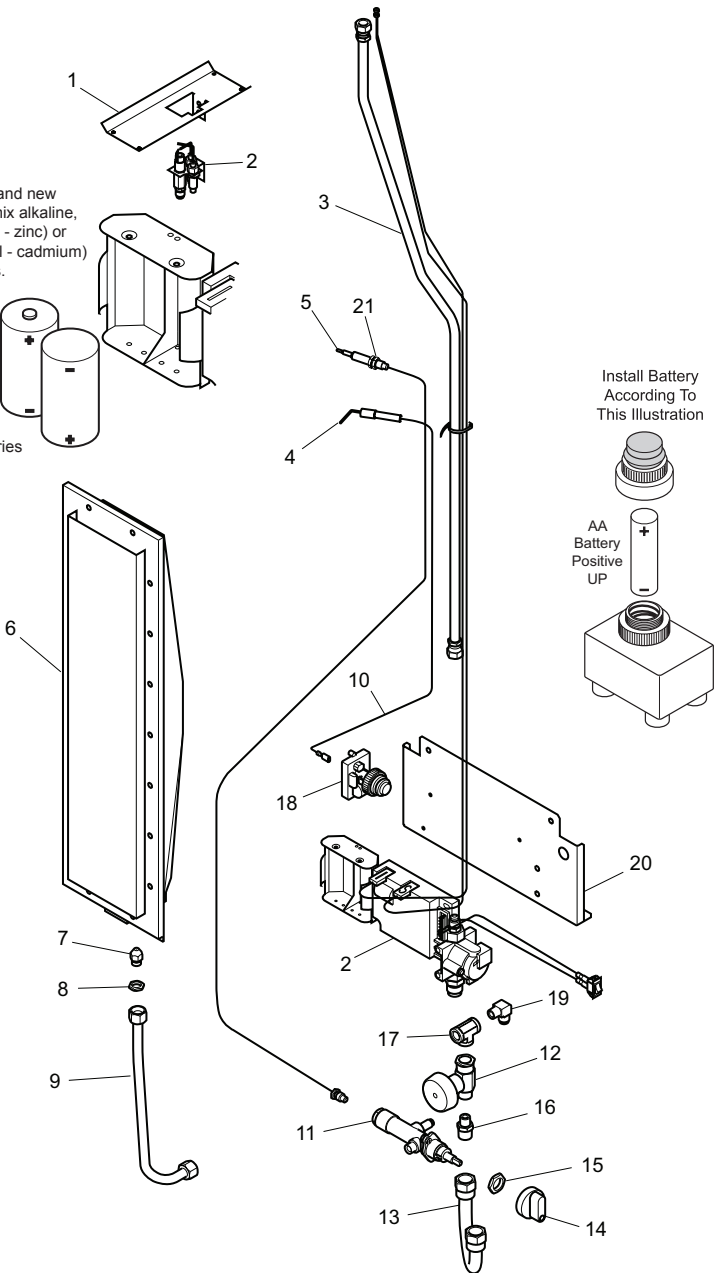
MODELS TD100, TD102, TD104 AND TD110

Do not mix old and new batteries. Do not mix alkaline, standard (carbon - zinc) or rechargeable (nickel - cadmium) batteries.

D Batteries

Install Battery According To This Illustration

AA Battery Positive UP



PARTS LIST

GAS COMPONENTS

MODELS TD100, TD102, TD104 AND TD110

This list contains replaceable parts used in your heater. When ordering parts, follow the instructions listed under *Replacement Parts*, page 15.

KEY NO.	PART NO.	DESCRIPTION	QTY.
1	118893-01	Light Post Burner Bracket	1
2	120373-01	Top Light Burner Assembly	1
3	118904-01	Lightpost Burner Flex Line	1
4	120570-01	Ignitor Electrode Kit	1
5	118906-02	Thermocouple	1
6	119091-01	Lightpost Main Burner	1
7	118911-01	Main Burner Orifice	1
8	119472-01	Orifice Nut	1
9	118913-01	Main Burner Tube	1
10	098271-11	Radiant Ignitor Wire	1
11	118868-02	Main Burner Control Valve	1
12	113793-01	Manual Shutoff Valve	1
13	118914-01	Valve Flex Line	1
14	099393-02	Valve Knob	1
15	098508-01	Control Nut	1
16	119293-01	Outlet Fitting	1
17	118907-01	Outlet T Fitting	1
18	111435-01	Electronic Ignitor	1
19	118909-01	Outlet Elbow	1
20	118896-01	Lightpost Component Plate	1
21	100898-01	Thermocouple Nut	2

PARTS AVAILABLE - NOT SHOWN

	119111-01	Hardware Blister Pack	1
	119093-01	Regulator and Hose Assembly	1
	103158-01	Magnetic Door Catch	2
	119110-01	Propane Tank Retention Chain	1
	120574-01	Retention Hook	2
	118990-02	Control Position Decal, English	1
	118990-03	Control Position Decal, Spanish/French	1
	118990-04	Control Position Decal, Eng/Spn/Frn	1
	118988-02	Warning Decal	1
	118989-02	Model Data Decal	1
	100639-13	Caution Decal	1
	119297-01	Regulator Label	1

TROUBLESHOOTING

⚠ WARNING: Never attempt to service heater while it is connected to propane/LP supply, operating, or hot. Severe burns can occur.

SYMPTOM	POSSIBLE CAUSE	REMEDY
Burner fails to light	<ol style="list-style-type: none">1. Propane/LP supply valve closed on propane/LP cylinder2. Blockage in burner/orifice elbow/hose and regulator assembly3. Battery not installed, battery power low or battery not installed correctly	<ol style="list-style-type: none">1. Open propane/LP supply valve slowly2. Clean burner/replace orifice elbow/hose and regulator assembly3. Install new alkaline battery in electronic ignitor. Verify battery is installed correctly. See page 12
Burner lights but goes out when automatic control valve button is released	<ol style="list-style-type: none">1. Not enough warm-up time2. Low gas pressure3. Thermocouple loose or needs to be replaced4. Automatic control valve needs to be replaced5. Thermocouple gap is too great	<ol style="list-style-type: none">1. Relight, hold automatic control valve button in 30 seconds2. Check propane/LP cylinder for proper gas supply3. Tighten connection or replace thermocouple4. Replace automatic control valve assembly5. Tip of thermocouple should just touch the emitter material. Loosen bracket screws to move thermocouple closer to burner. Be careful not to allow ignitor to touch. Maintain 0.20"
Maximum burn rate is low	<ol style="list-style-type: none">1. Low gas pressure2. Low fuel supply3. Restriction in burner/orifice elbow/hose and regulator assembly	<ol style="list-style-type: none">1. Check gas supply; check regulator output2. Consult propane/LP gas supplier3. Clean burner/replace orifice elbow/hose and regulator assembly

REPLACEMENT PARTS

⚠ WARNING: Use only original replacement parts. This heater must use design-specific parts. Do not substitute or use generic parts. Improper replacement parts could cause serious or fatal injuries. This will also protect your warranty coverage for parts replaced under warranty.

PARTS UNDER WARRANTY

Contact authorized dealers of this product. If they can't supply original replacement part(s), either contact your nearest Parts Central or call DESA Heating Products' Technical Service Department at 1-866-672-6040.

When calling DESA Heating Products, have ready

- your name
- your address
- model and serial numbers of your heater
- purchase date
- how heater was malfunctioning

In most cases, we will ask you to return the part to the factory.

PARTS NOT UNDER WARRANTY

Contact authorized dealers of this product. If they can't supply original replacement part(s), either contact your nearest Parts Central listed in the Authorized Service Center booklet supplied with heater or call DESA Heating Products (US) at 1-866-672-6040 or DESA Industries (CAN) at 1-415-255-5677 for referral information.

When calling DESA Heating Products, have ready

- model and serial number of your heater
- the replacement part number

TECHNICAL SERVICE

You may have further questions about installation, operation, or troubleshooting. If so, contact DESA Heating Products' Technical Service Department at 1-866-672-6040. When calling please have your model and serial numbers of your heater ready.

You can also visit DESA Heating Products' technical service web site at www.desatech.com.

ACCESSORY

Purchase accessories and parts from your nearest dealer or service center. If your dealer or service center can not supply an accessory or part, either contact your nearest Parts Central (listed in the separate Authorized Service Center booklet) or call DESA Heating Products (US) at 1-866-672-6040 or DESA Industries (CAN) at 1-415-255-5677 for referral information. You can also write to the address listed on the back page of this manual.

PATIO HEATER COVER - 119423-01

A heater cover accessory may be purchased to protect your patio heater. Made of black polyester material with Outdoor Leisure logo.

Patio heater cover accessory may be ordered through this website:

www.aboutoutdoorleisure.com

Click "Online Outlet".

Click "Patio Heaters".

Click "Accessories".

WARRANTY INFORMATION

LIMITED WARRANTY

DESA Heating, LLC warrants this product and any parts thereof, to be free from defects in materials and workmanship for one (1) year for residential home owner usage or 90 days for commercial/industrial usage from the date of first purchase when operated and maintained in accordance with instructions. This warranty is extended only to the original retail purchaser, when proof of purchase is provided.

This warranty covers only the cost of parts and labor required to restore the product to proper operating condition. Transportation and incidental costs associated with warranty repairs are not reimbursable under this warranty.

Warranty service is available only through authorized dealers and service centers.

This warranty does not cover defects resulting from misuse, abuse, negligence, accidents, lack of proper maintenance, normal wear, alteration, modification, tampering, contaminated fuels, repair using improper parts, or repair by anyone other than an authorized dealer or service center. Routine maintenance is the responsibility of the owner.

THIS EXPRESS WARRANTY IS GIVEN IN LIEU OF ANY OTHER WARRANTY EITHER EXPRESSED OR IMPLIED, INCLUDING WARRANTIES OF MERCHANTABILITY AND FITNESS FOR A PARTICULAR PURPOSE.

DESA Heating, LLC assumes no responsibility for indirect, incidental or consequential damages. Some states do not allow the exclusion or limitation of incidental or consequential damages or limitations or exclusions may not apply to you. This Limited Warranty gives you specific legal rights and you may also have other rights which vary from state to state.

This warranty does not cover discoloration due to operation of heater. The only warranty applicable is our standard written warranty. We make no other warranty, expressed or implied.

WARRANTY SERVICE

Should your heater require service, return it to your nearest authorized service center. Proof of purchase must be presented with the heater. The heater will be inspected. A defect may be caused by faulty materials or workmanship. If so, DESA Heating, LLC will repair or replace the heater without charge.

REPAIR SERVICE

Return the heater to your nearest authorized service center. Each Service Center is independently owned and operated. Repairs not covered by the warranty will be billed at standard prices.

For information about this warranty write:



DESA Heating, LLC
2701 Industrial Drive
P.O. Box 90004
Bowling Green, KY 42102-9004
www.desatech.com



INDUSTRIES OF CANADA, INC.
82 Akron Road
Toronto, Ontario
M8W 1T2
416-255-5333
www.desatech.com

118994-01
Rev. G
03/07

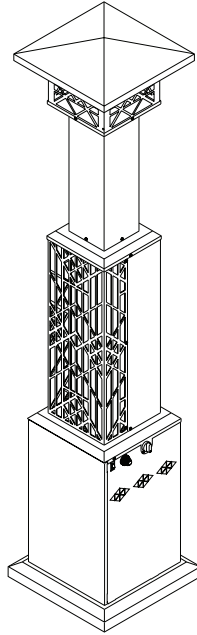


CALENTADOR DE LÁMPARA DE PROPANO O GAS LP MANUAL DEL PROPIETARIO

MODELOS
TD100, TD102, TD104
y TD110

Configuración ajustable
de la temperatura:
Baja: 20,000 BTU
Alta: 36,500 BTU

⚠ ADVERTENCIA:
para uso en exte-
riores solamente



⚠ ADVERTENCIA: lea y comprenda este manual antes de ensamblar, arrancar o dar servicio al calentador. El uso inadecuado del calentador puede ocasionar lesiones graves, daños a la propiedad o la muerte. Conserve este manual para referencias futuras.

INSTALADOR: deje este manual junto con el aparato.
CONSUMIDOR: conserve este manual para futuras referencias.

POR SU SEGURIDAD

No guarde ni utilice gasolina u otros vapores y líquidos inflamables cerca de este aparato ni de cualquier otro.

POR SU SEGURIDAD

Si percibe olor a gas:

1. Cierre el suministro de gas al aparato.
2. Apague cualquier llama al descubierto.
3. Si el olor continúa, llame inmediatamente a su proveedor de gas.

Llénelo para sus expedientes

Nº de modelo _____
(Situado en el panel lateral)

Nº de serie _____
(Situado en el panel lateral)

Fecha de compra _____

Para obtener más información, visite www.desatech.com

TABLA DE CONTENIDO

Información de seguridad.....	2	Diagrama de cableado	11
Identificación del producto.....	4	Clasificación ilustrada de piezas y lista de piezas...	12
Desempaque del calentador.....	4	Solución de problemas	16
Ensamble.....	5	Piezas de repuesto.....	17
Funcionamiento	8	Servicio técnico	17
Almacenamiento.....	9	Accesorios.....	17
Mantenimiento.....	10	Información de garantía.....	18
Especificaciones.....	10		

INFORMACIÓN DE SEGURIDAD

⚠️ ADVERTENCIA: este producto contiene y/o genera químicos que el estado de California reconoce que causan cáncer, defectos de nacimiento u otros daños relacionados con la reproducción.

⚠️ ADVERTENCIA: peligro de incendio, quemaduras, inhalación y explosión. Mantenga los combustibles sólidos, como materiales de construcción, madera, revestimientos de vinilo, papel o cartón a una distancia segura del calentador, como se recomienda en las instrucciones. Nunca use el calentador en áreas en las que haya o pueda haber combustibles volátiles o que se acumulen en el aire, o productos como gasolina, solventes, disolvente de pintura, partículas de polvo o químicos desconocidos.

⚠️ ADVERTENCIA: si la instalación, el ajuste, las alteraciones, el servicio o el mantenimiento no se realizan correctamente, se podrían ocasionar lesiones, daños a la propiedad o la muerte. Lea cuidadosamente las instrucciones de instalación, operación y mantenimiento antes de instalar el equipo o de darle servicio.

⚠️ ADVERTENCIA: para usarse en exteriores solamente, en un área bien ventilada. No utilice el calentador en interiores ni en un edificio, garaje o cualquier otra área cerrada o sin ventilación.

El calentador está diseñado para utilizarse como un calentador infrarrojo para patios, de acuerdo con los requisitos aplicables de CSA 5.90 para calentadores infrarrojos para patios de EE.UU. y CAN 1-2.23 para calentadores infrarrojos para Canadá. Otros estándares rigen el uso de gases combustibles y productos de calefacción para usos específicos. Las autoridades locales pueden informarle acerca de éstos. El objetivo principal de los calentadores para patios en exteriores es proporcionar calefacción a espacios residenciales y no residenciales. Cuando se usa correctamente, el calentador proporciona calefacción económica y segura. No podemos prever todos los usos que se les pueden dar a nuestros calentadores. **CONSULTE A LAS AUTORIDADES LOCALES DE SEGURIDAD CONTRA INCENDIOS SI TIENE ALGUNA PREGUNTA ACERCA DEL USO DE CALENTADORES.**

Intoxicación con monóxido de carbono: el monóxido de carbono afecta más a algunas personas que a otras. Los primeros signos de intoxicación con monóxido de carbono son semejantes a los de la gripe, con dolor de cabeza, mareo o náusea. Si usted presenta estos síntomas, es posible que el calentador no esté funcionando correctamente. **¡Respire aire fresco inmediatamente!** Haga que se le dé servicio al calentador.

Propano o gas LP: el propano o gas LP es inodoro. Al propano o gas LP se le agrega un agente que tiene olor. El olor le ayuda detectar las fugas de propano o gas LP. Sin embargo, el olor que se añade al propano o gas LP se puede desvanecer. Es posible que haya propano o gas LP en el entorno aunque no haya ningún olor.

Asegúrese de leer y comprender todas las advertencias. Conserve este manual como referencia. Es su guía para la operación segura y correcta de este calentador.

1. Instale y use el calentador con cuidado. Siga todas las ordenanzas y los códigos locales. A falta de ordenanzas y códigos locales, refiérase al *Estándar para el almacenamiento y el manejo de gases licuados de petróleo, ANSI/NFPA 58, código de instalación CSA/B149*. Éste proporciona instrucciones acerca del almacenamiento y el manejo seguro del propano o gas LP.

INFORMACIÓN DE SEGURIDAD *Continuación*

- Utilice sólo propano o gas LP conformado para extracción de vapores en un cilindro de 9 kg (20 lb). El cilindro debe estar fabricado y etiquetado conforme a las especificaciones para cilindros de propano o gas LP del Departamento de transporte de EE.UU. (DOT) o conforme al *Estándar nacional de Canadá CAN/CSA-B339*. El cilindro debe contar con una válvula de cierre con terminación en forma de salida de la válvula del cilindro de suministro de propano o gas LP. La válvula debe tener roscas externas, debe estar etiquetada como "Utilizar con tipo 1" y debe contar con un dispositivo de descarga que tenga comunicación directa con el espacio de vapor del cilindro. El cilindro debe incluir un anillo para proteger la válvula del cilindro. El cilindro debe estar equipado con un dispositivo aprobado de protección contra sobrellenado.
- Mantenga el área en dónde se localiza el aparato despejada y libre de materiales combustibles, gasolina, disolventes para pintura y otros vapores y líquidos inflamables. El polvo es combustible. No use el calentador en áreas con alto contenido de polvo.
- Distancia mínima entre el calentador y combustibles: parte trasera 10.2 cm (4"), laterales 30.5 cm (12"); parte anterior 1.07 m (42"); parte superior 40.6 cm (16") (consulte la figura 1).
- Antes de cada uso, verifique si el calentador tiene alguna fuga. Nunca use una llama al descubierto para revisar si hay alguna fuga. Aplique una mezcla de jabón líquido y agua en todas las uniones. La formación de burbujas indicará una fuga. Repare todas las fugas inmediatamente.
- Mantenga el cilindro de propano o gas LP a menos de 38 °C (100 °F).
- Use sólo la manguera y el regulador preinstalado en la fábrica que se incluyen con el calentador. No ajuste el regulador, ya que se podrían producir fugas de gas.
- Coloque la manguera correctamente, manteniéndola fuera de zonas en las que las personas se puedan tropezar con ella o en áreas en las que la manguera podría dañarse accidentalmente.
- Revise la manguera antes de cada uso del calentador. Desconecte la manguera con una llave de 9/16". Revise si hay rasgaduras o abrasiones en la manguera o en el regulador. Si la manguera está muy desgastada o con roturas, reemplácela con una manguera especificada por el fabricante antes de usar el calentador.
- No altere el calentador. Mantenga el calentador en su estado original. No use el calentador si éste ha sido alterado.
- Sítúe el calentador sobre una superficie estable y nivelada.
- No opere el calentador mientras duerme ni lo deje desatendido.
- Nunca mueva, manipule ni dé servicio a un calentador caliente o en funcionamiento. Podría sufrir quemaduras graves. Debe esperar 20 minutos después de apagar el calentador.
- Para evitar lesiones, use guantes cuando manipule el calentador.
- Cierre la válvula y el suministro de gas al calentador cuando no lo esté utilizando.
- Use sólo piezas de repuesto originales. Este calentador debe usar piezas diseñadas específicamente. No las sustituya ni use piezas genéricas. El uso de piezas de repuesto inadecuadas puede ocasionar lesiones graves o fatales.
- Ciertos materiales o artículos, si se almacenan frente al calentador, estarán sujetos a la radiación de calor y podrían sufrir daños graves.
- Apague el calentador inmediatamente si se produce un retorno de la llama (una llama dentro del tubo del quemador). Haga que se le dé servicio al calentador.
- Nunca intente utilizar el calentador ni ningún componente que esté dañado o que haya sido expuesto a fuego accidental.
- Si percibe olor a gas o sospecha que hay una fuga, cierre la válvula del cilindro de propano o gas LP inmediatamente. Ventile el área. No encienda fósforos, no inicie fuegos ni produzca chispas eléctricas. Localice y corrija la fuga antes de intentar encender cualquier aparato.
- No bloquee las aberturas de entrada de aire.

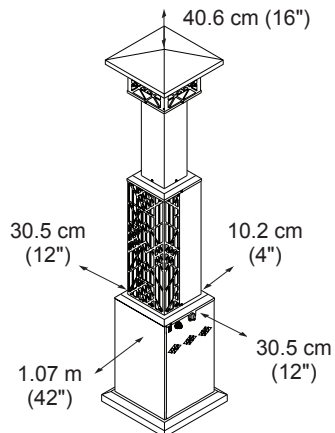


Figura 1 - Distancia mínima del calentador hacia objetos combustibles

INFORMACIÓN DE SEGURIDAD *Continuación*

Todas las protecciones o dispositivos de seguridad que se hayan desmontado para dar servicio al aparato se deberán volver a colocar antes de operar el calentador.

La temperatura de las superficies puede llegar a ser muy alta cuando el calentador está funcionando. Los niños y los adultos deben permanecer lejos del calentador para evitar quemaduras o que la ropa se encienda.

Se debe supervisar a los niños pequeños cuidadosamente cuando estén en el área donde se encuentra el calentador.

No se debe colgar ropa ni otros materiales inflamables en el calentador, ni se deben colocar cerca del mismo.

La instalación y las reparaciones deben ser realizadas por una persona de servicio calificada. El calentador debe ser inspeccionado por una persona de servicio calificada antes de usarse y por lo menos una vez al año. Es posible que se requiera limpiarlo más frecuentemente, según sea necesario. Es imprescindible mantener limpios los compartimentos, los quemadores y los conductos de circulación de aire del calentador.

⚠ PRECAUCIÓN: se debe usar el regulador de presión de gas incluido con este aparato. Este regulador está configurado para una presión de salida de 71.12 cm (28") de C.A. (1 PSI).

22. Si es necesario reemplazarlo, utilice sólo un regulador con la misma configuración. Consulte la *Lista de piezas*, en la página 15.
23. Utilice las especificaciones de presión correctas, consulte la página 10.
24. El cilindro de propano o gas LP no se incluye. Use un cilindro de 9 kg (20 lb) etiquetado con la palabra "propano". El sistema de suministro del cilindro debe ser adecuado para la extracción de vapores. El cilindro debe incluir un anillo para proteger la válvula del cilindro. El cilindro

debe contar con una válvula de cierre con terminación en forma de salida de la válvula del cilindro de suministro de propano o gas LP especificada, según sea aplicable, para conexiones N° 600 del listado de *Conexiones estándar limitadas de salida de la válvula del cilindro para la serie de válvulas pequeñas de propano* perteneciente a la Asociación de gas comprimido.

IDENTIFICACIÓN DEL PRODUCTO

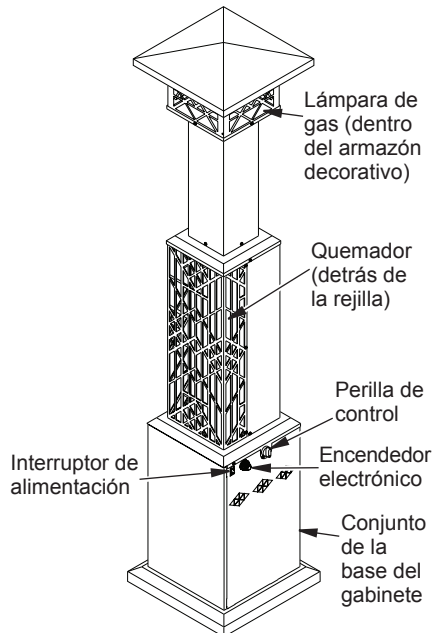


Figura 2 - Calentador para patio exterior con lámpara

DESEMPAQUE DEL CALENTADOR

Revise todas las piezas en busca de daños durante el transporte. Si el calentador está dañado, infórmelo de inmediato al distribuidor donde lo compró.

1. Retire la base y el lastre de la caja.
2. Saque la cubierta superior, los dos armazones decorativos de la lámpara y los materiales de empaque de la caja. Coloque las piezas a un lado, en un lugar seguro.
3. Saque el conjunto del quemador de la caja, dejando los materiales de empaque en la parte inferior del conjunto. Colóquelo a un lado en posición vertical.
4. Saque las piezas del farol, la base del gabinete y la puerta del tanque de la caja. Colóquelos a un lado.

ENSAMBLE

Tiempo de ensamble estimado: 45 minutos

Herramientas necesarias:

- Destornillador Phillips N° 2
- 9/16" y 5/16" extremo abierto de llaves

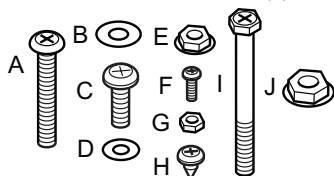
El paquete de tornillería que se incluye con el calentador podría incluir más piezas que las necesarias para ensamblar el calentador.

El paquete de ferretería contiene lo siguiente: piezas se muestra en las páginas 12 a 15 :

Encendedor electrónico (1), cable del encendedor (1), cable de tierra (1), perilla de la válvula (1), cadena de retención del tanque de propano (1), enganche de retención (2), Baterías D (2) y Batería AA (1).

Las piezas se identifican mediante una letra designada a lo largo de las instrucciones de ensamble. El paquete de ferretería contiene lo siguiente (las cantidades se muestran entre paréntesis):

Descripción	N° de pieza
A Tornillos de 1 1/2" (8)	119619-01
B Arandela plana de 7 mm (8)	119600-04
C Tornillos de 5/8" (9)	119619-03
D Arandela plana de 5 mm (9)	119600-02
E Tuerca de retención hex. N° 10 (9)	NPC-3C
F Tornillos de 3/8" (20)	119619-06
G Tuerca de retención hex. (20)	NPC-1C
H Tornillos de 3/8" (34)	119620-02
I Perno de cabeza hex. 2 1/4" (2)	HC4-18C
J Tuerca de retención hex. 5/16" (2)	NPC-5C



CONJUNTO DE LA BASE

1. Voltee la base al revés. Fije 2 ruedas, 2 ejes (I) y 2 tuercas (J) como se muestra en la figura 3. No los apriete en exceso.
2. Fije las 4 patas de la base al lastre de la misma con las 4 arandelas (B) y los 4 tornillos (A), como se muestra en la figura 4. Las patas se instalarán para áreas rugosas o disperejas debajo del lastre de la base.
3. Coloque la base del gabinete sobre su parte posterior con cuidado para no rayar la pintura (utilice un bloque de espuma de empaque como soporte para la parte trasera superior de la base del gabinete). Alinee los orificios en los bordes inferiores de la base del gabinete con los orificios que se encuentran en la base, como se muestra en la figura 4. Fíjelos con 1 tornillo (C), 1 arandela (D) y 1 tuerca (E) para cada

uno de los 9 orificios (consulte la figura 4). Coloque el conjunto en posición vertical.

4. Fije la base al lastre con 4 tornillos (A) y 4 arandelas (B), como se muestra en la figura 4.
5. Instale los anillos retenedores (ganchos en "S") a los bordes superiores de la base del gabinete como se muestra en la figura 4.
6. Instale el encendedor electrónico a través de la pared del gabinete, como se muestra en la figura 4. Apriete con la mano.

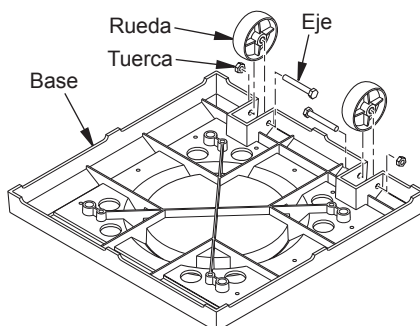


Figura 3 - Fijación de las ruedas a la base

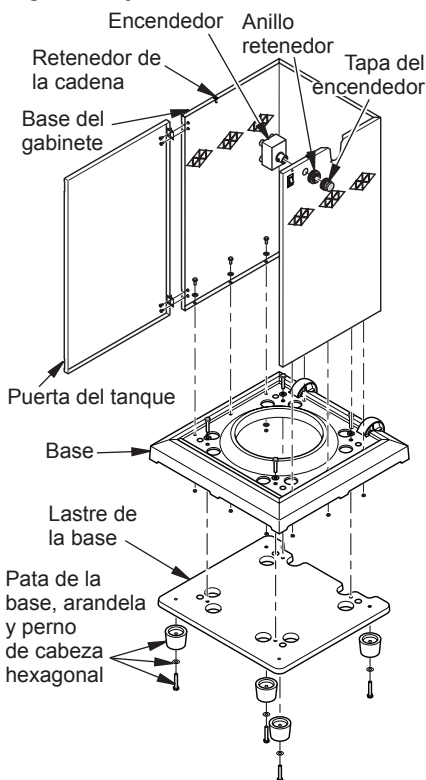


Figura 4 - Conjunto de la base del gabinete

ENSAMBLE

Continuación

7. Fije la puerta del tanque al gabinete con 4 tornillos (F) y 4 tuercas (G), como se muestra en la figura 4, página 5. Coloque todo el conjunto a un lado.

CONJUNTO DEL QUEMADOR Y EL FAROL

1. Ubique los 4 paneles del farol que están empacados juntos. Ensamble 3 de las piezas con 4 tornillos (H), como se muestra en la figura 5.
2. Coloque la parte superior del farol sobre el conjunto de los paneles, alineando los orificios de los tornillos. Fijelo con 3 tornillos (H), como se muestra en la figura 5.
3. El cableado de encendido del piloto se ha colocado dentro de la parte superior del conjunto del quemador para el envío. Retire el piloto con cuidado de la parte interior del conjunto y deje que el cableado y el piloto cuelguen desde la parte posterior del conjunto.
4. Coloque el conjunto de paneles y la parte superior del farol encima del conjunto del quemador, alineando la parte posterior de cada conjunto. Consulte la figura 6. Fijelo con 3 tornillos (H).
5. Coloque el conjunto del piloto sobre la parte superior del farol, como se muestra en la figura 7. Fijelo con 4 tornillos (H). Verifique las conexiones de los cables antes de continuar.

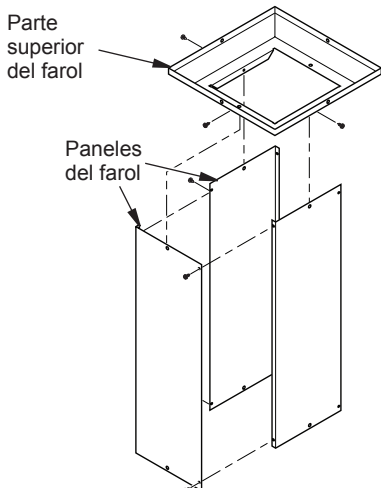


Figura 5 - Conjunto del panel y la parte superior del farol

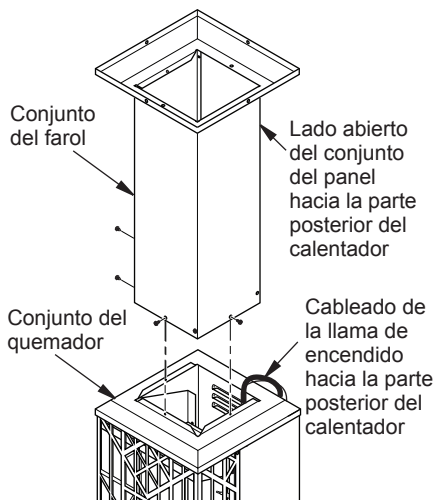


Figura 6 - Conexión del conjunto del farol y el quemador

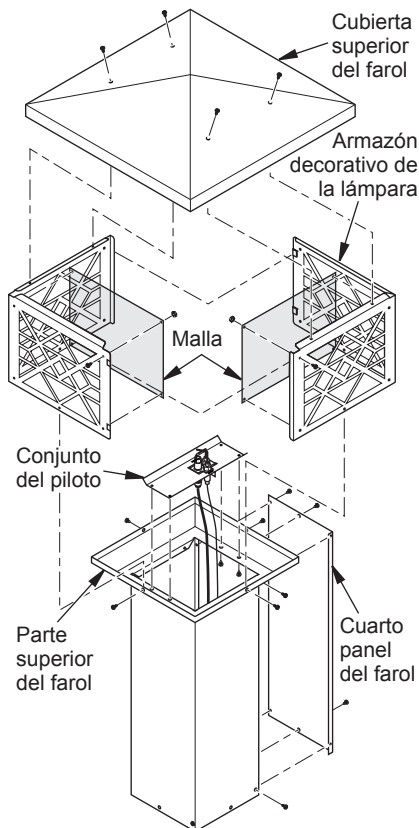


Figura 7 - Cómo fijar el piloto y el armazón

ENSAMBLE

Continuación

6. Fije las 4 mallas de armazón de la lámpara a los armazones de la lámpara con 4 tornillos (F) y 4 tuercas (G) cada una como se muestra en la figura 7, página 6. Se muestran sólo 2 de las 4 mallas.
7. Coloque los armazones decorativos de la lámpara sobre la parte superior del farol (consulte la figura 7, página 6). Asegúrese de que las pestañas estén en la parte superior. Deslice las lengüetas del armazón juntas y luego inserte 4 tornillos (H) a través de los orificios que se encuentran en la parte posterior del farol y en los orificios inferiores de las piezas del armazón (consulte la figura 7, página 6). Apriete todos los tornillos.
8. Fije la cubierta superior del farol al conjunto de los armazones con 4 tornillos (H), como se muestra en la figura 7, página 6.

CONJUNTO DEL CALENTADOR

Nota: si es necesario, obtenga ayuda para levantar el conjunto.

1. Coloque el conjunto del farol completo sobre el conjunto de la base del gabinete. Fíjelo con 4 tornillos (H), como se muestra en la figura 8. Instale 2 tornillos (H) en los orificios que se encuentran a cada lado de la válvula de control. Fije la tuerca y la perilla de control a la válvula de control.
2. Conecte 2 cables café al interruptor de alimentación.
3. Conecte el cable blanco de conexión a tierra que está conectado al gabinete, al poste derecho del encendedor electrónico. Saque la abrazadera de cable. Conecte el cable negro del encendedor al poste izquierdo del encendedor electrónico. Instale la batería en el encendedor, como se muestra en la página 14.
4. Instale la batería en el soporte de la batería, como se muestra en la página 14. No mezcle baterías.
5. Conecte el regulador al cilindro de gas; consulte *Funcionamiento*, página 8. El cilindro de gas se asentará dentro del conjunto del gabinete.
6. Revise que no haya fugas. Consulte *Verificación de fugas* en la página 8.
7. Fije el cuarto panel del farol al conjunto con 4 tornillos (H), como se muestra en la figura 7, página 6.

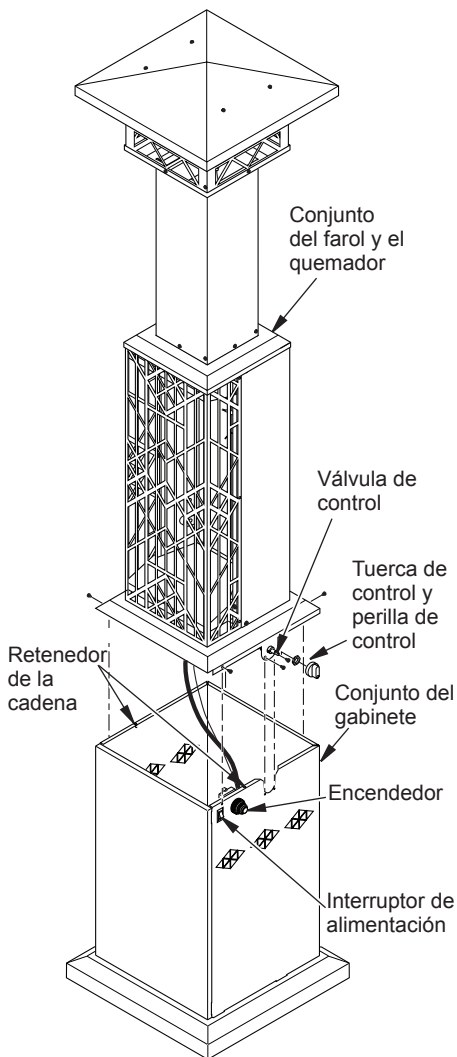


Figura 8 - Cómo fijar el conjunto del farol y el quemador al conjunto del gabinete

FUNCIONAMIENTO

⚠️ PRECAUCIÓN: no se coloque frente al calentador mientras lo enciende. Colóquese a un lado del calentador cuando lo encienda.

Use un cilindro de 9 kg (20 lb) de propano o gas LP solamente (no incluido). Consulte la información de seguridad para seleccionar el cilindro adecuado. Conecte el conjunto de manguera-regulador al cilindro (consulte la figura 9). La manguera ya debe estar conectada al calentador. Conecte la manguera a la entrada de la válvula (consulte la figura 9). Apriete firmemente usando una llave.

Guíe la cadena de retención para que pase a través de por lo menos una de las manijas del tanque de propano o gas LP (consulte la figura 9). Asegúrese de guiar la cadena a través de la manija del tanque y NO alrededor de la válvula del tanque. La cadena no debe interferir con la válvula. Fije los ganchos de ambos extremos de las cadenas a los retenedores de las cadenas instalados en la base del gabinete (consulte la figura 8, página 7).

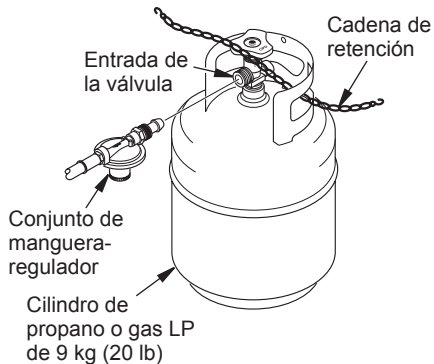


Figura 9 - Conexión del conjunto de manguera-regulador al cilindro de propano o gas LP

VERIFICACIÓN DE FUGAS

1. Gire la válvula del calentador a la posición de apagado.
2. Gire la válvula de suministro del cilindro completamente en sentido contrario al de las manecillas del reloj, a la posición abierto.
3. Utilice una solución detectora de fugas no corrosiva para revisar si hay fugas en la conexión antes de intentar encender el calentador. Si se encuentra una fuga, gire la válvula del cilindro a la posición Cerrado y no lo use hasta que todas las fugas se hayan corregido.

INSTRUCCIONES DE ENCENDIDO

Lámpara de gas

1. Presione el interruptor de alimentación a la posición Encendido; la lámpara de gas se encenderá automáticamente.
2. Presione el interruptor de alimentación a la posición Apagado para apagar la lámpara de gas.
3. Para cerrar el suministro de gas hacia la lámpara, gire la perilla de la válvula de cierre manual a la posición Apagado. La válvula de cierre manual se encuentra en el conjunto del tren de gas, dentro del gabinete del calentador.

Nota: asegúrese de que la válvula de cierre manual esté en la posición de encendido para hacer funcionar la lámpara de gas.

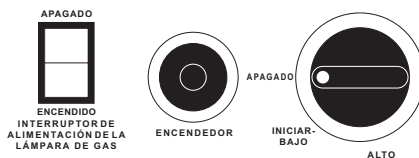


Figura 10 - Controles del calentador de lámpara de gas

FUNCIONAMIENTO

Continuación

Quemador principal

1. Presione la perilla de control del calentador y gírela en sentido contrario al de las manecillas del reloj hasta la posición INICIAR.
2. Presione la perilla de control y oprima el botón del encendedor. Repita hasta que el calentador se encienda.
3. Continúe presionando la perilla durante aproximadamente 30 segundos. El calentador debe permanecer encendido en la posición de calor Bajo.
4. Para obtener más calor, presione la perilla y gírela en sentido contrario al de las manecillas del reloj, a la posición HIGH (Alto).
5. Si va a encender el calentador de nuevo, espere 5 minutos para que el calentador se enfríe y el gas se disperse, y luego siga los pasos 1 a 3.

INSTRUCCIONES DE APAGADO

1. Presione la perilla de control y gírela en el sentido de las manecillas del reloj a la posición OFF (Apagado).
2. Cierre la válvula del cilindro de propano o gas LP (gire la perilla en el sentido de las manecillas del reloj).

FUNCIONAMIENTO DEL QUEMADOR

Inspeccione el quemador visualmente para verificar que funcione correctamente. El quemador debe brillar de color rojo, con una cantidad mínima de superposición de las llamas después del encendido inicial. Si la superposición de las llamas en el quemador es excesiva, solicite que se le dé servicio al calentador. Es posible que la presión sea demasiado alta, o la boquilla o el quemador podrían estar dañados.

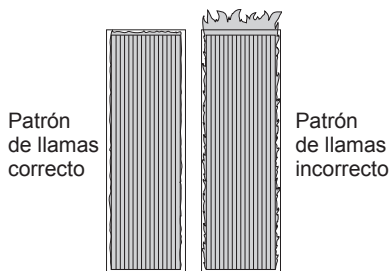


Figura 11 - Funcionamiento del quemador

ALMACENAMIENTO

⚠ PRECAUCIÓN: desconecte el calentador del cilindro de suministro de propano o gas LP.

1. No guarde el calentador mientras esté conectado al cilindro de propano o gas LP. Cierre la válvula del cilindro. Desmonte el conjunto de manguera-regulador del cilindro de propano o gas LP, girando la tuerca del conector del gas en el sentido de las manecillas del reloj.
2. El almacenamiento del calentador en interiores está permitido sólo si el cilindro está desconectado y desmontado del aparato.
3. Guarde el cilindro de propano o gas LP de forma segura. Refiérase al capítulo 5 del *Estándar para el almacenamiento y el manejo de gases licuados de petróleo, ANSI/NFPA 58*. Siga todos los códigos locales. Los cilindros se deben guardar en exteriores, en un área bien ventilada fuera del alcance de los niños. Los cilindros desconectados deben tener tapones roscados de válvula instalados ajustadamente, y no se deben guardar en un edificio, en un garaje ni en ninguna otra área cerrada. Nunca guarde cilindros de propano cerca de fuentes de calor intenso, de llamas al descubierto o donde la temperatura sea superior a 38 °C (100 °F).
4. Guárdelos en un lugar seco, limpio y seguro.

MANTENIMIENTO

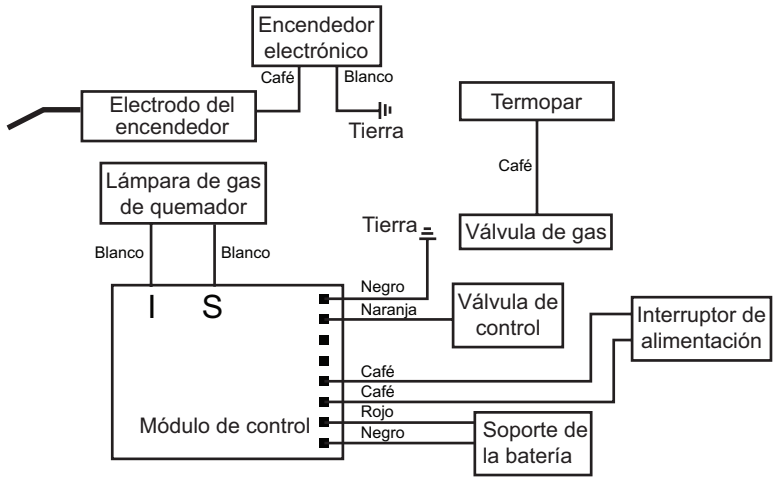
⚠ ADVERTENCIA: nunca intente dar servicio al calentador mientras está conectado al suministro de propano o gas LP, si está funcionando o si está caliente. Pueden producirse quemaduras graves. Todas las protecciones o dispositivos de seguridad que se hayan desmontado para dar servicio al aparato se deberán volver a colocar antes de operar el calentador.

1. Mantenga el calentador limpio. Quite todos los residuos de las aberturas de ventilación.
2. Inspeccione al calentador antes de cada uso. Revise las conexiones en busca de fugas. Aplique una mezcla de jabón líquido y agua en todas las conexiones. La formación de burbujas indica una fuga que se debe corregir. Repare todas las fugas inmediatamente.
3. Inspeccione el conjunto de manguera-regulador antes de cada uso. Si la manguera está muy desgastada o rota, reemplácela inmediatamente. Por lo menos una vez al año, desmonte el conjunto de manguera-regulador del calentador para inspeccionar toda la longitud de la manguera. La manguera de repuesto debe ser del mismo tipo que la que se incluye con la unidad.
4. Las arañas y los insectos pueden crear una condición peligrosa que podría dañar el calentador o hacerlo inseguro. Mantenga el área del quemador libre de arañas, telarañas e insectos.
5. Haga que una persona de servicio calificada inspeccione el calentador una vez al año.

ESPECIFICACIONES

- Clasificación: Alta 36,500 BTU/h (10.7 kw), Baja 20,000 BTU/h (5.86 kw)
- Combustible: vapor de propano solamente
- Consumo de combustible/hora: mín. 0.83 litros (0.22 gal), máx. 1.48 litros (0.39 gal)
Mín. 0.42 kg (0.93 lb), Máx. 0.76 kg (1.67 lb)
- Presión de suministro (al regulador): máxima: 1,379 kPa (200 PSI)
Mínima, para ajuste de entrada: 34.5 kPa (5 PSI)
- Presión del tubo múltiple: alta 6.89 kPa (1 PSI), baja 6.77 kPa (0.98 PSI)
- Abertura del encendedor: 0.305 cm (0.120")
- Temperatura mínima: -29 °C (-20 °F) Temperatura del aire circundante
- Tamaño del calentador (Largo x Ancho x Altura): 0.45 x 0.43 x 2.1 m (18" x 17.125" x 82")
- Tamaño de la caja de cartón (Largo x Ancho x Altura): 0.98 x 0.46 x 0.45 m (38.625" x 18.125" x 18")
- Peso del calentador: 43.5 kg (96 lb)
- Peso de envío: 49.9 kg (110 lb)

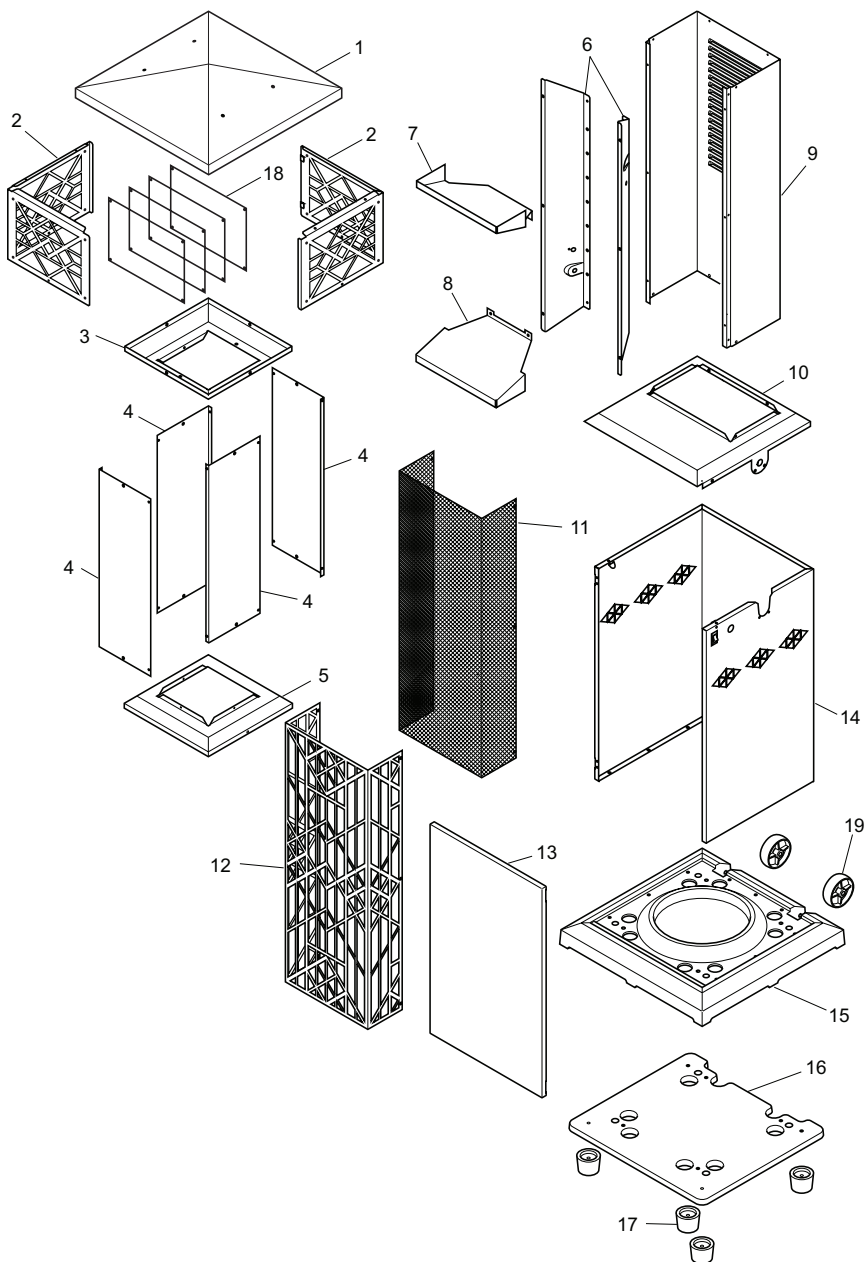
DIAGRAMA DE CABLEADO



CLASIFICACIÓN ILUSTRADA DE PIEZAS

CONJUNTO DE GABINETE

MODELOS TD100, TD102, TD104 Y TD110



LISTA DE PIEZAS

CONJUNTO DE GABINETE

MODELOS TD100, TD102, TD104 Y TD110

Esta lista contiene las piezas reemplazables utilizadas en el calentador. Cuando ordene piezas, siga las instrucciones que se indican en *Piezas de repuesto*, en la página 17.

N°	N° DE PIEZA	DESCRIPCIÓN				CANT.
			TD100, TD110	TD102	TD104	
1	118890-01	Cubierta superior del farol	•	•		1
	118890-02	Cubierta superior del farol	•	•	•	1
2	118891-01	Conjunto de armazón decorativo de la lámpara, Mission	•	•		2
	118891-02	Conjunto de Armazón decorativo de la lámpara, Ornate			•	2
3	118892-01	Parte superior del farol		•		1
	118892-02	Parte superior del farol	•		•	1
4	118885-01	Panel farol		•		4
	118885-02	Panel farol	•		•	5
5	118884-01	Parte superior del alojamiento del quemador inferior		•		1
	118884-02	Parte superior del alojamiento del quemador inferior	•		•	1
6	118887-01	Reflector derecho/izquierdo	•	•	•	2
7	118888-01	Parte superior del reflector	•	•	•	1
8	118889-01	Parte inferior del reflector	•	•	•	1
9	118883-01	Alojamiento del quemador inferior		•		1
	118883-02	Alojamiento del quemador inferior	•			1
10	118882-01	Parte superior de la base del gabinete		•		1
	118882-02	Parte superior de la base del gabinete	•		•	1
11	119004-01	Rejilla inferior	•	•	•	1
12	118900-01	Parrilla inferior del quemador de la parte anterior, Mission	•	•		1
	118900-02	Parrilla inferior del quemador de la parte anterior, Ornate			•	1
13	118905-01	Puerta del gabinete de la base		•		1
	118905-02	Puerta del gabinete de la base	•		•	1
14	118881-01	Base del gabinete		•		1
	118881-02	Base del gabinete	•		•	1
15	118899-01	Base del farol	•	•	•	1
16	118901-01	Lastre de la base del farol	•	•	•	1
17	118902-01	Pata de la base	•	•	•	4
18	119005-01	Malla superior	•	•	•	4
19	118849-01	Rueda	•	•	•	2
*	119423-01	Funda opcional (no se muestra)		•		1

* Disponible como accesorio para los modelos TD100, TD102 y TD110.

CLASIFICACIÓN ILUSTRADA DE PIEZAS

COMPONENTES DE GAS

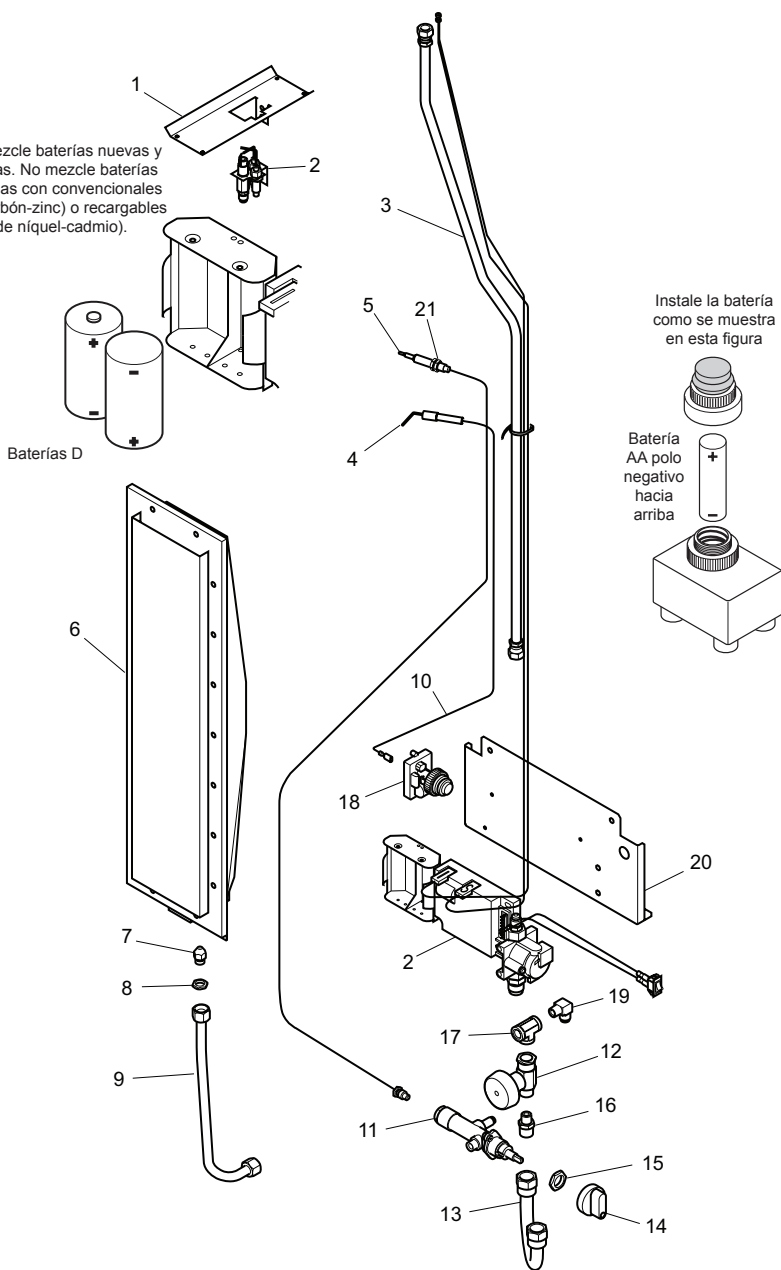
MODELOS TD100, TD102, TD104 Y TD110

No mezcle baterías nuevas y usadas. No mezcle baterías alcalinas con convencionales (de carbón-zinc) o recargables (de níquel-cadmio).

Baterías D

Instale la batería como se muestra en esta figura

Batería AA polo negativo hacia arriba



LISTA DE PIEZAS

COMPONENTES DE GAS

MODELOS TD100, TD102, TD104 Y TD110

Esta lista contiene las piezas reemplazables utilizadas en el calentador. Cuando ordene piezas, siga las instrucciones que se indican en *Piezas de repuesto*, en la página 17.

Nº	Nº DE PIEZA	DESCRIPCIÓN	CANT.
1	118893-01	Soporte del quemador del farol	1
2	120373-01	Conjunto de quemador superior de la lámpara	1
3	118904-01	Línea flexible del quemador del farol	1
4	120570-01	Electrodo del encendedor	1
5	118906-02	Termopar	1
6	119091-01	Quemador principal del farol	1
7	118911-01	Orificio del quemador principal	1
8	119472-01	Tuerca del orificio	1
9	118913-01	Tubo del quemador principal	1
10	098271-11	Cable del encendedor radiante	1
11	118868-02	Válvula de control del quemador principal	1
12	113793-01	Válvula de cierre manual	1
13	118914-01	Línea flexible de la válvula	1
14	099393-02	Perilla de la válvula	1
15	098508-01	Tuerca de control	1
16	119293-01	Conexión de salida	1
17	118907-01	Conexión T de salida	1
18	111435-01	Encendedor electrónico	1
19	118909-01	Codo de salida	1
20	118896-01	Placa de componentes del farol	1
21	100898-01	Tuerca del termopar	2
PIEZAS DISPONIBLES (NO SE MUESTRAN)			
	119111-01	Empaque de burbujas de la tornillería	1
	119093-01	Conjunto de regulador y manguera	1
	103158-01	Aldaba magnética de la puerta	2
	119110-01	Cadena de retención del tanque de propano	1
	120574-01	Enganchar de retención	2
	118990-02	Etiqueta adhesiva de posición de control, en inglés	1
	118990-03	Etiqueta adhesiva de posición de control, en español/francés	1
	118990-04	Etiqueta adhesiva de posición de control, en inglés/español/francés	1
	118988-02	Etiqueta adhesiva de advertencia	1
	118989-02	Etiqueta adhesiva con datos del modelo	1
	100639-13	Etiqueta de precaución	1
	119297-01	Etiqueta de regulador	1

SOLUCIÓN DE PROBLEMAS

⚠️ ADVERTENCIA: nunca intente dar servicio al calentador mientras está conectado al suministro de propano o gas LP, si está funcionando o si está caliente. Pueden producirse quemaduras graves.

SÍNTOMA	CAUSA POSIBLE	SOLUCIÓN
El quemador no se enciende	<ol style="list-style-type: none"> 1. La válvula del suministro de propano o gas LP está cerrada en el cilindro de propano o gas LP 2. Hay una obstrucción en el quemador u orificio o bien en el conjunto del codo o manguera y el regulador 3. Batería no instalada, batería baja o no instalada correctamente 	<ol style="list-style-type: none"> 1. Abra la válvula del suministro de propano o gas LP lentamente 2. Limpie el quemador u orificio o bien reemplace el conjunto del codo o manguera y el regulador 3. Instale una batería alcalina nueva en el encendido electrónico. Compruebe que la batería esté instalada correctamente. Consulte la página 12
El quemador se enciende, pero se apaga cuando se suelta el botón de la válvula de control automático	<ol style="list-style-type: none"> 1. El tiempo de calentamiento no fue suficiente 2. La presión de gas está baja 3. El termopar está flojo o se debe reemplazar 4. La válvula de control automático se debe reemplazar 5. La abertura del termopar es demasiado grande 	<ol style="list-style-type: none"> 1. Vuelva encender, mantenga el botón de la válvula de control automático oprimido 30 segundos 2. Verifique que el cilindro de propano o gas LP tenga el suministro de gas adecuado 3. Apriete la conexión o reemplace el termopar. 4. Reemplace el conjunto de la válvula de control automático 5. La punta del termopar debe tocar apenas el material emisor. Afloje los tornillos del soporte para mover el termopar y acercarlo al quemador. Tenga cuidado para que el encendedor no lo toque. Mantenga la abertura de 0.508 cm (0.20")
El factor de consumo máximo es bajo	<ol style="list-style-type: none"> 1. La presión de gas está baja 2. El suministro de combustible está bajo 3. Hay una restricción en el quemador u orificio o en el conjunto del codo o manguera y el regulador 	<ol style="list-style-type: none"> 1. Verifique el suministro de gas; verifique la salida del regulador 2. Consulte al proveedor de propano o gas LP 3. Limpie el quemador u orificio o bien reemplace el conjunto del codo o manguera y el regulador

PIEZAS DE REPUESTO

⚠ ADVERTENCIA: use sólo piezas de repuesto originales. Este calentador debe usar piezas diseñadas específicamente. No las sustituya ni use piezas genéricas. El uso de piezas de repuesto inadecuadas puede ocasionar lesiones graves o fatales. Esto también protegerá la cobertura de su garantía para piezas reemplazadas con garantía.

PIEZAS CON GARANTÍA

Comuníquese con los distribuidores autorizados de este producto. Si ellos no pueden suministrar las piezas de repuesto originales, comuníquese con la central de piezas más cercana o llame al Departamento de servicio técnico de DESA Heating Products al 1-866-672-6040.

Cuando llame a DESA Heating Products, tenga listo:

- su nombre
- su dirección
- los números de modelo y de serie de su calentador
- la fecha de compra
- la falla del calentador

En la mayoría de los casos, le pediremos que devuelva la pieza a la fábrica.

PIEZAS SIN GARANTÍA

Comuníquese con los distribuidores autorizados de este producto. Si no le pueden suministrar piezas de repuesto originales, comuníquese con la Central de piezas más cercana, listadas en el folleto de Centros de servicio autorizados incluido con el calentador, o llame a DESA Heating Products (en EE.UU.) al 1-866-672-6040 o a DESA Industries (en Canadá) al 1-415-255-5677 para obtener información de referencia.

Cuando llame a DESA Heating Products, tenga listo:

- los números de modelo y de serie de su calentador
- número de la pieza de repuesto

SERVICIO TÉCNICO

Es posible que tenga preguntas adicionales sobre la instalación, el funcionamiento o la solución de problemas. Si es así, comuníquese con el Departamento de servicio técnico de DESA Heating Products al 1-866-672-6040. Al llamar tenga a la mano los números de modelo y serie de su calentador.

También puede visitar el sitio web de servicio técnico de DESA Heating Products en www.desatech.com.

ACCESORIOS

Adquiera accesorios y piezas con su distribuidor o centro de servicio más cercano. Si su distribuidor o centro de servicio no le puede suministrar algún accesorio o pieza de repuesto, comuníquese con la Central de piezas más cercana (están listadas en el folleto de Centros de servicio autorizados incluido por separado), o llame a DESA Heating Products (en los EE.UU.) al 1-866-672-6040 o a DESA Industries (en Canadá) al 1-415-255-5677 para obtener información de referencia. También puede escribir a la dirección que aparece en la última página de este manual.

FUNDA DEL CALENTADOR PARA PATIO 119423-01

Se puede adquirir una funda opcional para proteger el calentador para patio. Fabricada en poliéster negro con el logotipo de Outdoor Leisure.

La funda opcional del calentador para patio se puede ordenar en este sitio web:

www.aboutoutdoorleisure.com

Haga clic en "Online Outlet" (Tienda en línea).

Haga clic en "Patio Heaters" (Calentadores para patio).

Haga clic en "Accessories" (Accesorios).

INFORMACIÓN DE GARANTÍA

GARANTÍA LIMITADA

DESA Heating, LLC garantiza que este producto y todas sus piezas están libres de defectos en los materiales y en la mano de obra por un (1) año para uso residencial o por 90 días para uso comercial o industrial, a partir de la fecha de la primera compra, siempre y cuando se haya operado y mantenido de acuerdo con las instrucciones. Esta garantía se extiende solamente al comprador minorista original, cuando se proporciona un comprobante de compra.

Esta garantía sólo cubre el costo de las piezas y la mano de obra requeridas para restaurar el producto a una condición de operación correcta. Los costos de transporte e incidentales asociados con reparaciones bajo garantía no son reembolsables mediante la misma.

El servicio de garantía está disponible solamente mediante distribuidores y centros de servicio autorizados.

Esta garantía no cubre defectos ocasionados por mal uso, abuso, negligencia, accidentes, falta de mantenimiento adecuado, desgaste normal, alteración, modificación, manipulación, combustibles contaminados, reparación usando piezas inadecuadas o reparación realizada por cualquiera que no sea un distribuidor o centro de servicio autorizado. El mantenimiento de rutina es responsabilidad del propietario.

ESTA GARANTÍA EXPRESA SE OTORGA EN LUGAR DE CUALQUIER OTRA GARANTÍA, YA SEA EXPRESA O IMPLÍCITA, INCLUYENDO GARANTÍAS DE MERCANTIBILIDAD E IDONEIDAD PARA UN PROPÓSITO PARTICULAR.

DESA Heating, LLC no asume ninguna responsabilidad por daños indirectos, incidentales o consecuentes. Algunos estados no permiten la exclusión o limitación de daños incidentales o perjuicios, o es posible que las exclusiones no sean aplicables a usted. Esta Garantía limitada le otorga derechos legales específicos y posiblemente tenga otros derechos que varían de un estado a otro.

Esta garantía no cubre la decoloración debido al funcionamiento del calentador. La única garantía aplicable es nuestra garantía estándar por escrito. No otorgamos ninguna otra garantía, expresa o implícita.

SERVICIO DE GARANTÍA

Si su calentador requiere servicio, regréselo al centro de servicio autorizado más cercano. Se debe presentar la prueba de compra junto con el calentador. El calentador será inspeccionado. Un defecto podría ser ocasionado por materiales o mano de obra defectuosos. Si es así, DESA Heating, LLC reparará o reemplazará el calentador sin ningún cargo.

SERVICIO DE REPARACIÓN

Devuelva el calentador al centro de servicio autorizado más cercano. Cada centro de servicio tiene propietario y operación independientes. Las reparaciones no cubiertas por la garantía se cobrarán a precio estándar.

Para obtener información sobre esta garantía, escriba a:



DESA Heating, LLC
2701 Industrial Drive
P.O. Box 90004
Bowling Green, KY 42102-9004
www.desatech.com



INDUSTRIES OF CANADA, INC.
82 Akron Road
Toronto, Ontario
M8W 1T2
416-255-5333
www.desatech.com

118994-01
Rev. G
03/07

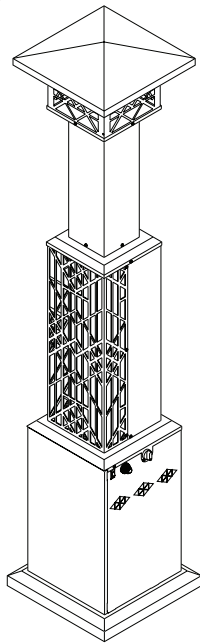


APPAREIL DE CHAUFFAGE ÉCLAIRANT AU PROPANE/GPL MANUEL D'UTILISATION

MODÈLES
TD100, TD102, TD104
ET TD110

Niveaux de température
réglables :
Inférieure : 20 000 Btu
Supérieure : 36 500 Btu

▲ AVERTISSEMENT :
Usage extérieur
seulement



▲ AVERTISSEMENT : Lisez et comprenez ce manuel avant d'assembler, d'allumer ou de réparer cet appareil de chauffage. Une mauvaise utilisation de l'appareil de chauffage peut causer des blessures graves, des dommages matériels et même la mort. Conservez ce manuel pour référence future.

INSTALLATEUR : laissez ce manuel avec l'appareil.
UTILISATEUR : conservez ce manuel pour référence future.

POUR VOTRE PROTECTION : N'entreposez pas et n'utilisez pas d'essence ou d'autres vapeurs et liquides inflammables à proximité de cet appareil ou de tout autre appareil.

POUR VOTRE PROTECTION
Si une odeur de gaz se dégage :

- 1. Coupez l'approvisionnement en gaz à l'appareil.**
- 2. Éteignez toute flamme.**
- 3. Si l'odeur persiste, appelez immédiatement la compagnie de gaz.**

À remplir pour vos dossiers

Numéro de modèle _____
(situé sur le panneau latéral)

Numéro de série _____
(situé sur le panneau latéral)

Date d'achat _____

Pour plus de détails, visitez le site www.desatech.com

TABLE DES MATIÈRES

Informations relatives à la sécurité	2	Diagramme de câblage	9
Identification du produit	4	Vue détaillée et liste des pièces	10
Déballage de l'appareil de chauffage	4	Dépannage	14
Assemblage	5	Pièces de rechange	15
Fonctionnement	7	Service technique	15
Entreposage	8	Accessoires	15
Entretien	9	Informations sur la garantie	16
Spécifications	9		

INFORMATIONS RELATIVES À LA SÉCURITÉ

⚠ AVERTISSEMENT : Cet appareil contient et/ou produit des produits chimiques déterminés par l'État de la Californie comme cancérigènes et pouvant causer des malformations congénitales et d'autres troubles liés à la reproduction.

⚠ AVERTISSEMENT : Danger de feu, de brûlure, d'inhalation et d'explosion. Conservez les combustibles solides comme les matériaux de construction, le bois, les revêtements muraux d'extérieur en vinyle, le papier et le carton, à une distance sûre de l'appareil conformément aux instructions. N'utilisez jamais l'appareil de chauffage dans des espaces susceptibles de contenir des combustibles volatils ou atmosphériques ou des produits tels que de l'essence, des diluants, du solvant à peinture, des particules de poussières ou des produits chimiques inconnus.

⚠ AVERTISSEMENT : Une installation, un réglage, une modification, une réparation ou un entretien inapproprié peuvent causer des blessures, des dommages matériels ou la mort. Lisez complètement les instructions sur l'installation, l'utilisation et l'entretien avant d'installer ou de réparer cet appareil.

⚠ AVERTISSEMENT : Utilisation à l'extérieur seulement dans un endroit bien ventilé. N'utilisez pas cet appareil de chauffage à l'intérieur, dans un édifice, dans un garage, ni dans un endroit fermé ou non aéré.

Cet appareil de chauffage est prévu pour être utilisé en tant qu'appareil de chauffage de patio à infrarouge conformément aux exigences américaines CSA 5.90 sur les appareils de chauffage de patio à infrarouge et canadiennes CAN 1-2.23 pour les appareils de chauffage portatifs à infrarouge. D'autres normes régissent l'utilisation des gaz combustibles et des appareils de chauffage pour des utilisations particulières. Les autorités locales peuvent vous conseiller à propos de ces normes. La fonction principale des appareils de chauffage de patio extérieurs est la production de chaleur pour des espaces résidentiels ou autres. Utilisés correctement, ces appareils de chauffage représentent une source de chaleur économique et sûre.

Nous ne pouvons pas prévoir toutes les utilisations possibles de nos appareils de chauffage. **VÉRIFIEZ AUPRÈS DE VOTRE RESPONSABLE LOCAL DE LA SÉCURITÉ-INCENDIE SI VOUS AVEZ DES QUESTIONS RELATIVES À L'UTILISATION DE CET APPAREIL DE CHAUFFAGE.**

Empoisonnement au monoxyde de carbone : certaines personnes sont plus sensibles au monoxyde de carbone que d'autres. Les premiers symptômes d'un empoisonnement au monoxyde de carbone ressemblent à la grippe avec des maux de tête, du vertige ou de la nausée. Si vous avez ces symptômes, il se pourrait que l'appareil de chauffage ne fonctionne pas correctement. **Respirez tout de suite de l'air frais!** Faites réparer l'appareil de chauffage.

Propane/GPL : le gaz propane ou de pétrole liquéfié est sans odeur. Un produit odorant est ajouté au propane et au GPL. Cette odeur vous permet de détecter une fuite de propane ou de GPL. Cependant, cette odeur ajoutée au propane ou au GPL peut se dissiper. Du propane ou du GPL peuvent être présents même s'il n'y a pas d'odeur.

Lisez et comprenez tous les avertissements. Conservez ce manuel pour consultation future. Il vous permettra de faire fonctionner cet appareil de chauffage correctement et en toute sécurité.

1. Installez et utilisez l'appareil de chauffage avec précaution. Suivez tous les règlements et codes locaux. En l'absence de codes ou de règlements locaux, consultez la publication *Norme pour l'emmagasiner et la manipulation du gaz de pétrole liquéfié, ANSI/NFPA 58 et le Code d'installation du gaz naturel, CSA-B149*. Ces documents décrivent les précautions à prendre pour l'entreposage et la manutention du propane et du GPL.

INFORMATIONS RELATIVES À LA SÉCURITÉ *suite*

2. N'utilisez que du propane ou du GPL prévus pour un retrait de vapeur dans une bouteille de 9 kg (20 lb). La bouteille doit être fabriquée et marquée conformément aux spécifications sur les bouteilles de propane et de GPL du ministère des Transports (DOT) des États-Unis ou mentionnées dans la *Norme nationale du Canada CAN/CSA-B339*. La bouteille doit être dotée d'une vanne d'arrêt donnant sur le raccord de sortie de vanne de la bouteille pour le gaz propane et GPL. La vanne doit avoir un filetage externe et être marquée « Utiliser avec type 1 » ainsi qu'un dispositif de sécurité en contact direct avec l'espace intérieur de la bouteille. La bouteille doit utiliser une collerette qui protège sa vanne. La bouteille doit être dotée d'un dispositif approuvé de protection contre le débordement.
3. Ne placez pas de matériaux combustibles, d'essence, de solvant à peinture ou d'autres vapeurs ou liquides inflammables à proximité de l'appareil. La poussière est combustible. N'utilisez pas l'appareil de chauffage là où il y a beaucoup de poussière.
4. Distances minimales entre l'appareil de chauffage et les matériaux combustibles : arrière 10,2 cm (4 po) ; côtés 30,5 cm (12 po) ; avant 1,07 m (42 po) ; dessus 40,6 cm (16 po) (voir figure 1).
5. Vérifiez que l'appareil de chauffage ne fuit pas avant chaque utilisation. N'utilisez jamais de flamme nue pour rechercher une fuite. Appliquez une solution de savon liquide et d'eau sur tous les joints. La présence de bulles indique une fuite. Réparez toutes les fuites immédiatement.
6. Conservez les bouteilles de propane ou de GPL à moins de 38 °C (100 °F).
7. N'utilisez que le tuyau et le détendeur réglé en usine qui ont été fournis avec l'appareil. Ne modifiez pas le réglage du détendeur, car cela pourrait provoquer des fuites de gaz.
8. Placez le tuyau de manière appropriée, hors du passage où les gens pourraient trébucher ou des endroits où il pourrait subir des dommages accidentels.
9. Avant chaque utilisation de l'appareil, vérifiez que le tuyau n'est pas endommagé. Débranchez le tuyau avec une clé de 9/16 po. Vérifiez que le tuyau et le détendeur sont en bon état. S'il est très usé ou fendu, remplacez le tuyau par le type de tuyau spécifié par le fabricant avant d'utiliser l'appareil.
10. Ne modifiez pas l'appareil de chauffage. Maintenez l'appareil de chauffage dans son état initial. N'utilisez pas l'appareil de chauffage s'il a été modifié.
11. Placez l'appareil de chauffage sur une surface stable et de niveau.
12. Ne dormez pas et ne le laissez pas l'appareil de chauffage sans surveillance lorsqu'il est en marche.
13. Ne déplacez, ne manipulez et ne révisiez jamais un appareil de chauffage brûlant ou en fonctionnement. Vous risqueriez de vous brûler gravement. Attendez 20 minutes après avoir éteint l'appareil de chauffage.
14. Pour ne pas vous blesser, portez des gants lorsque vous manipulez l'appareil de chauffage.
15. Fermez la vanne de l'appareil de chauffage et l'approvisionnement en gaz quand l'appareil ne fonctionne pas.
16. Utilisez seulement des pièces de rechange d'origine. Cet appareil de chauffage utilise des pièces conçues spécifiquement pour lui. N'utilisez pas de substituts ou de pièces génériques. L'utilisation de pièces de rechange inappropriées peut causer des blessures graves ou la mort.
17. Certains matériaux et certains articles, s'ils sont entreposés devant l'appareil de chauffage, seront soumis à une chaleur radiante et pourraient être endommagés.
18. Fermez immédiatement l'appareil de chauffage en cas de retour de flamme (flamme dans le tuyau du brûleur). Faites réparer l'appareil de chauffage.
19. N'essayez jamais d'utiliser un appareil de chauffage ou tout composant ayant pu être endommagé ou exposé à un feu accidentel.
20. Si vous remarquez une odeur de gaz ou suspectez une fuite, fermez immédiatement la vanne de la bouteille de gaz. Aérez l'endroit. N'allumez pas d'allumette et assurez-vous que rien ne produit de flamme et d'étincelle. Identifiez la fuite et effectuez les réparations nécessaires avant d'essayer d'allumer un appareil.
21. N'obstruez pas les ouvertures d'entrée d'air.

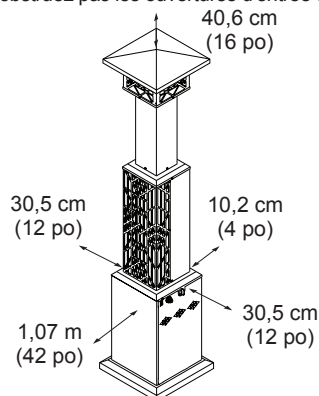


Figure 1 - Dégagement par rapport aux combustibles

INFORMATIONS RELATIVES À LA SÉCURITÉ *suite*

Toute grille ou autre dispositif de protection retiré de l'appareil avant une réparation doit être remis en place avant de faire fonctionner l'appareil de chauffage.

Les surfaces de l'appareil de chauffage deviennent brûlantes pendant son fonctionnement. Afin d'éviter de vous brûler et que vos vêtements ne prennent feu, tenez-vous à une bonne distance de l'appareil.

Surveillez de près les jeunes enfants lorsqu'ils sont à proximité de l'appareil de chauffage.

Les vêtements et autres matériaux inflammables ne doivent pas être suspendus au dessus de l'appareil de chauffage ou placés près ou au-dessus de ce dernier.

L'installation et les réparations doivent être effectuées par du personnel qualifié. L'appareil de chauffage doit être inspecté par un technicien compétent avant d'être utilisé et au moins une fois l'an. Un nettoyage plus fréquent peut s'avérer nécessaire. Il est essentiel de garder propres les compartiments des commandes, les brûleurs ainsi que les conduits d'air de l'appareil de chauffage.

⚠ ATTENTION ! Utilisez le détendeur de pression de gaz fourni avec cet appareil. Ce détendeur est réglé pour une pression de sortie de 28 po c.e. (1 lb/po²).

22. Si vous devez le remplacer, utilisez seulement un détendeur ayant le même réglage. Voir *Liste des pièces*, page 13.
23. Utilisez une pression conforme aux spécifications, voir page 9.
24. La bouteille de propane ou de GPL n'est pas fournie. Utilisez une bouteille de propane ou de GPL de 9 kg (20 lb) marquée propane. Le système d'alimentation de la bouteille doit prévoir un retrait de vapeur. La bouteille doit comprendre une collerette qui

protège la vanne. La bouteille doit être dotée d'une vanne d'arrêt donnant sur une vanne de sortie de bouteille pour propane et GPL, spécifiée, s'il y a lieu, pour une connexion n° 600 par *selon la Norme limitée sur les raccords de sortie des vannes de bouteille pour petits vannes de bouteille de gaz propane* de l'Association du gaz comprimé.

IDENTIFICATION DU PRODUIT

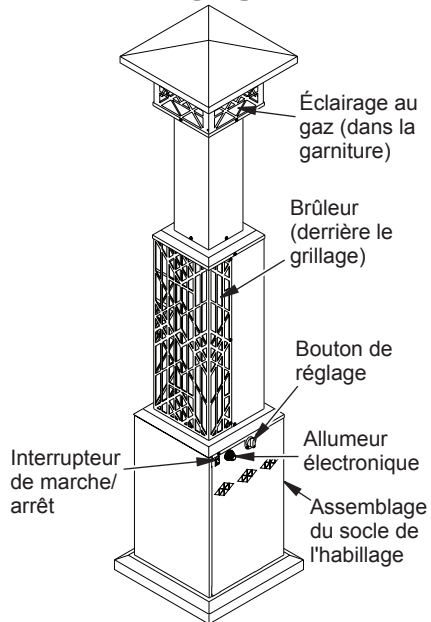


Figure 2 - Appareil de chauffage de patio extérieur avec éclairage

DÉBALLAGE DE L'APPAREIL DE CHAUFFAGE

Inspectez toutes les pièces pour voir si elles ont été endommagées pendant l'expédition. Si l'appareil de chauffage est endommagé, informez-en promptement le revendeur où vous l'avez acheté.

1. Retirez de la boîte le socle et le support antibasculement.
2. Retirez de la boîte le chapeau, les deux garnitures de lampe et les matériaux d'emballage. Mettez les pièces de côté dans un endroit sûr.
3. Retirez l'assemblage du brûleur de la boîte en laissant les matériaux d'emballage sur la partie inférieure de l'assemblage. Rangez en position verticale.
4. Retirez de la boîte les pièces du pied de lampe, le socle de l'habillage et la porte du réservoir. Mettez-les de côté.

ASSEMBLAGE

Temps estimé assemblage: 45 minutes

Outils nécessaires :

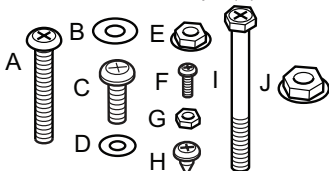
- Tournevis Phillips n° 2
- 9/16 po et 5/16 po Clés courtes de ouverture fixe

Le sac de quincaillerie fourni avec l'appareil de chauffage peut contenir plus de pièces que nécessaire pour l'assemblage de l'appareil de chauffage.

Le sac de quincaillerie contient les pièces suivantes comme illustré à la pages 12 à 15 : Allumeur électronique (1), fil d'allumeur (1), fil de mise à la terre (1), bouton de vanne (1), Chaîne de retenue de bouteille de propane (1), Agrafe retenue (2), Piles de D (2) et pile AA (1).

Les pièces sont désignées par des lettres dans les instructions d'assemblage. Le sac de quincaillerie contient les pièces suivantes (quantité entre parenthèses) :

Description	N° de pièce
A Vis de 1 1/2 po (8)	119619-01
B Rondelle plate de 7 mm (8)	119600-04
C Vis de 5/8" po (9)	119619-03
D Rondelle plate de 5 mm (9)	119600-02
E Contre-écrou hexagonal N° 10 (9)	NPC-3C
F Vis de 3/8" po (20)	119619-06
G Contre-écrou hexagonal (20)	NPC-1C
H ST Vis de 3/8" po (34)	119620-02
I Boulon hexagonal 2 1/4 po (2)	HC4-18C
J Contre-écrou hex. 5/16 po (2)	NPC-5C



ASSEMBLAGE DU SOCLE

1. Mettez le socle à l'envers. Fixez les 2 roues, 2 essieux (I) et 2 écrous (J), comme illustré à la figure 3. Ne serrez pas trop.
2. Attachez les 4 pieds du socle au support antibasculement du socle avec 4 rondelles (B) et 4 vis (A) comme illustré à la figure 4. Les pieds seront montés sur la partie surélevée du support antibasculement.
3. En faisant attention à ne pas égratigner la peinture, placez le socle de l'habillage sur son dos (utilisez un bloc de mousse pour soutenir l'arrière du socle de l'habillage). Alignez les trous du rebord inférieur du socle de l'habillage avec les trous du socle comme illustré à la figure 3. Fixez avec 1 vis (C), 1 rondelle (D) et 1 écrou (E) dans chacun des neuf trous (voir figure 4). Placez l'assemblage à la verticale.

4. Fixez le socle au support antibasculement avec 4 boulons hexagonaux (A) et 4 rondelles (B) comme illustré à la figure 4.
5. Accrochez les crochets (en forme de « S ») de retenue de la chaîne aux rebords supérieurs du socle de l'habillage, comme illustré à la figure 4.
6. Installez l'allumeur électronique sur la paroi de l'habillage comme illustré à la figure 4. Serrez à la main.

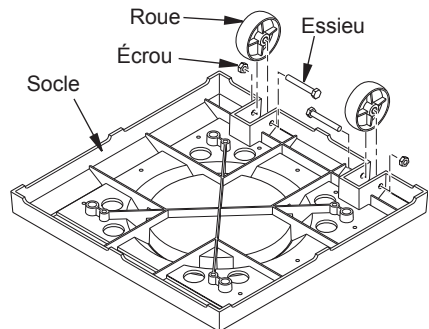


Figure 3 - Raccordement des roues au socle

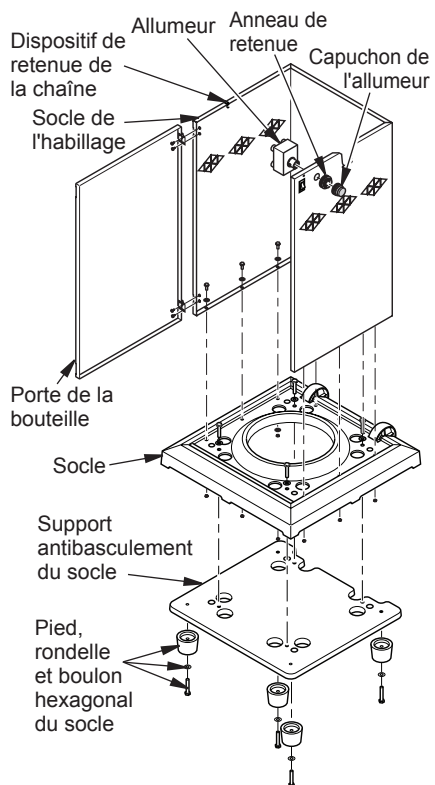


Figure 4 - Assemblage du socle de l'habillage

ASSEMBLAGE

suite

- Fixez la porte du réservoir à l'habillage avec 4 vis (F) et 4 écrou (G) comme illustré à la figure 4, page 5. Placez l'assemblage de côté.

ASSEMBLAGE DU BRÛLEUR ET DU PIED DE LAMPE

- Identifiez les quatre panneaux du pied de lampe qui sont emballés ensemble. Assemblez trois des pièces avec 4 vis (H) comme illustré à la figure 5.
- Placez la collerette du pied de lampe sur l'assemblage des panneaux en alignant les trous de vis. Fixez avec 3 vis (H) comme illustré à la figure 5.
- Le câblage de la veilleuse a été emballé à l'intérieur de la partie supérieure de l'assemblage du brûleur pour l'expédition. Retirez délicatement la veilleuse et laissez pendre les fils et la veilleuse à l'arrière de l'assemblage.
- Placez l'assemblage des panneaux et de la collerette du pied de lampe sur l'assemblage du brûleur en alignant l'arrière de chaque assemblage. Voir figure 6. Fixez avec 3 vis (H).

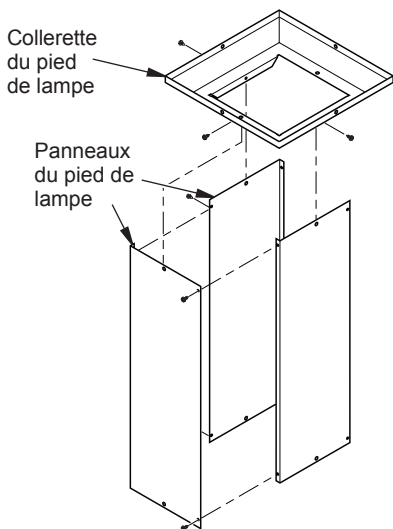


Figure 5 - Assemblage des panneaux et de la collerette du pied de lampe

- Placez l'assemblage de la veilleuse sur le pied de lampe comme illustré à la figure 7, page 7. Fixez avec 4 vis (H). Vérifiez que les fils sont bien raccordés avant de poursuivre.
- Fixez les 4 panneaux des garnitures de lampe aux garnitures de lampe avec 4 vis (F) et 4 rondelles (G) chaque, comme illustré à la figure 7, page 7. Seuls 2 des 4 panneaux sont illustrés.
- Placez les garnitures de lampe sur le pied de lampe (voir figure 7, page 7). Assurez-vous que les rebords sont sur le dessus. Faites glisser ensemble les languettes des garnitures et insérez 4 vis (H) dans les trous supérieurs du pied de lampe et dans les trous inférieurs des garnitures (voir figure 7, page 7). Serrez toutes les vis.
- Fixez le chapeau du pied de lampe à l'assemblage des garnitures avec 4 vis (H) comme illustré à la figure 7, page 7.

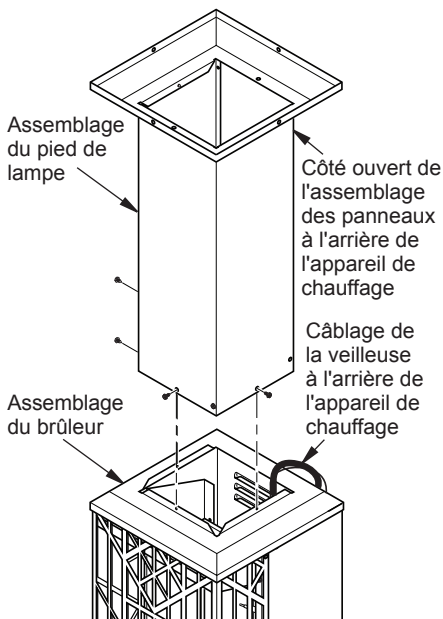


Figure 6 - Raccordement du pied de lampe et de l'assemblage du brûleur

ASSEMBLAGE

suite

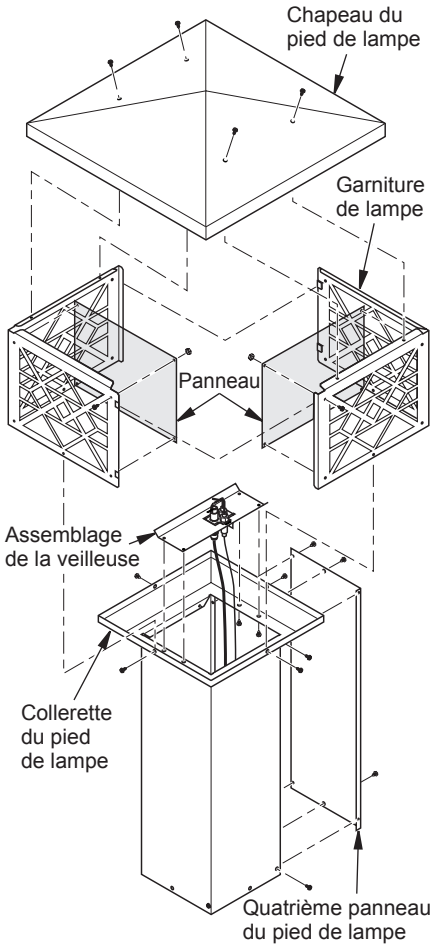


Figure 7 - Raccordement de la veilleuse et de la garniture

ASSEMBLAGE DE L'APPAREIL DE CHAUFFAGE

Remarque : au besoin, faites-vous aider pour soulever l'assemblage.

1. Placez l'assemblage du pied de lampe sur l'assemblage du socle de l'habillage. Fixez avec 4 vis (H) comme illustré à la figure 8. Insérez 2 vis (H) dans les trous de chaque côté de la vanne de contrôle. Fixez l'écrou de la vanne de contrôle et le bouton de réglage à la vanne de contrôle.
2. Connectez les 2 fils bruns à l'interrupteur de marche/arrêt.

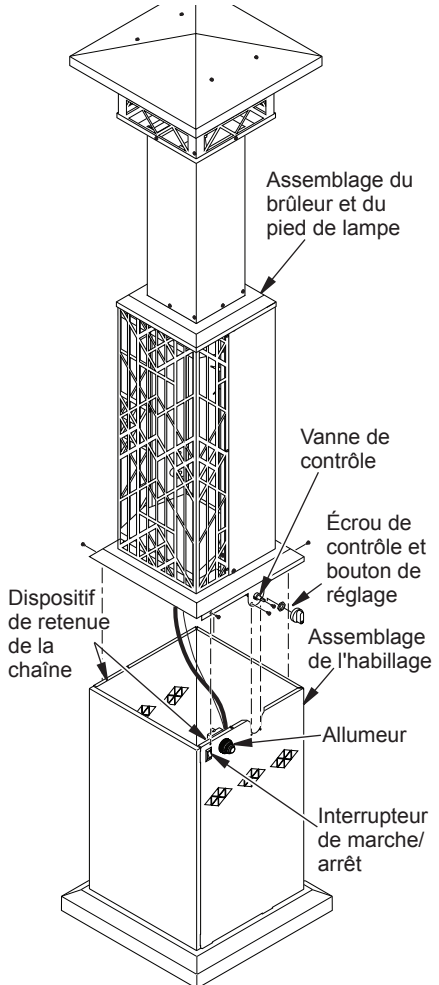


Figure 8 - Raccordement de l'assemblage pied de lampe-brûleur à l'assemblage de l'habillage

ASSEMBLAGE

suite

3. Connectez le fil de mise à la terre blanc fixé à l'habillage à la borne de droite de l'allumeur électronique. Retirez de serge-fils. Connectez le fil noir de l'allumeur à la borne de gauche de l'allumeur électronique. Installez une pile dans l'allumeur comme illustré à la page 14.
4. Installez la pile dans support de pile comme illustré à la page 14. N'utilisez pas piles.
5. Branchez le détendeur à la bouteille de gaz, voir *Fonctionnement*. La bouteille de gaz se range dans l'habillage.
6. Vérifiez s'il y a des fuites. Voir *Recherche de fuites*.
7. Fixez les quatre panneaux du pied de lampe à l'assemblage avec 4 vis (H) comme illustré à la figure 7, page 7.

FONCTIONNEMENT

⚠ ATTENTION ! Ne vous placez pas devant l'appareil de chauffage lorsque vous l'allumez. Placez-vous sur un côté pour allumer l'appareil de chauffage.

Utilisez seulement une bouteille de propane ou de GPL de 9 kg (20 lb) (non fournie). Consultez les informations relatives à la sécurité pour sélectionner la bouteille. Branchez l'assemblage tuyau/détendeur à la bouteille (voir figure 9). Le tuyau devrait être déjà raccordé à l'appareil de chauffage. Raccordez le tuyau à l'entrée de la vanne (voir figure 9). Resserrez fermement avec une clé.

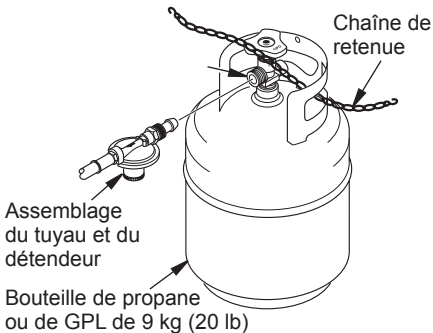


Figure 9 - Raccordement de l'assemblage tuyau-détendeur à la bouteille de propane ou de GPL

Faites courir la chaîne de retenue dans au moins une poignée de la bouteille de propane ou de GPL (voir figure 9). Assurez-vous que la chaîne passe dans une poignée de la bouteille et NON autour de la vanne de la bouteille. La chaîne ne doit pas entraver la vanne. Attachez les crochets des deux extrémités de la chaîne aux dispositifs de retenue qui se trouvent sur la plaque de fixation du brûleur. (voir figure 8 à la page 7).

RECHERCHE DE FUITES

1. Mettez la vanne de l'appareil de chauffage sur la position ARRÊT.
2. Tournez complètement la vanne d'approvisionnement de la bouteille dans le sens inverse des aiguilles d'une montre pour la mettre sur la position OUVERT.
3. Utilisez une solution non corrosive pour détecter les fuites afin de vérifier s'il y a une fuite au raccordement avant de tenter d'allumer l'appareil de chauffage. Si vous trouvez une fuite, mettez la vanne de la bouteille sur la position FERMÉE et n'utilisez pas l'appareil tant que toutes les fuites n'ont pas été colmatées.

INSTRUCTIONS D'ALLUMAGE

Éclairage au gaz

1. Enfoncez l'interrupteur en position MARCHE ; l'éclairage au gaz s'allumera automatiquement.
2. Enfoncez l'interrupteur en position ARRÊT pour éteindre l'éclairage.
3. Pour fermer l'approvisionnement en gaz à l'éclairage, tournez le bouton de la vanne d'arrêt manuelle pour la mettre sur la position ARRÊT. La vanne d'arrêt manuelle est située sur le circuit de gaz à l'intérieur de l'habillage de l'appareil de chauffage.

Remarque : Assurez-vous que la vanne d'arrêt manuelle est sur la position MARCHE pour utiliser l'éclairage au gaz.

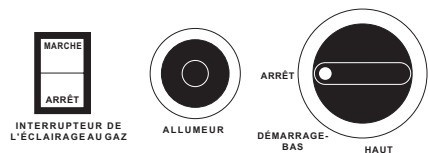


Figure 10 - Commandes de l'éclairage de l'appareil de chauffage

FONCTIONNEMENT

suite

Brûleur principal

1. Enfoncez le bouton de réglage de l'appareil de chauffage et tournez-le dans le sens inverse des aiguilles d'une montre pour le mettre sur la position ALLUMER.
2. Enfoncez le bouton de réglage et appuyez sur l'allumeur. Répétez jusqu'à ce que l'appareil de chauffage s'allume.
3. Continuez à enfoncer le bouton pendant environ 30 secondes. L'appareil de chauffage devrait rester allumé au réglage de température le plus bas.
4. Pour plus de chaleur, enfoncez le bouton et tournez-le dans le sens inverse des aiguilles d'une montre pour le mettre sur la position HAUT.
5. Dans le cas d'un RÉALLUMAGE, attendez cinq minutes que l'appareil de chauffage refroidisse et que le gaz se dissipe ; ensuite, reprenez les étapes 1 à 3.

INSTRUCTIONS D'ARRÊT

1. Enfoncez le bouton de réglage et tournez-le dans le sens des aiguilles d'une montre pour le mettre sur la position ARRÊT.
2. Fermez la vanne de la bouteille de propane ou de GPL (tournez le bouton dans le sens des aiguilles d'une montre).

FONCTIONNEMENT DU BRÛLEUR

Inspectez visuellement le brûleur pour vérifier son bon fonctionnement. Le brûleur devrait rougir avec un minimum de chevauchement des flammes après l'allumage. Si le chevauchement des flammes est excessif, faites réparer l'appareil de chauffage. La pression est peut-être trop élevée ou, la buse d'aération ou le brûleur est peut-être endommagé.

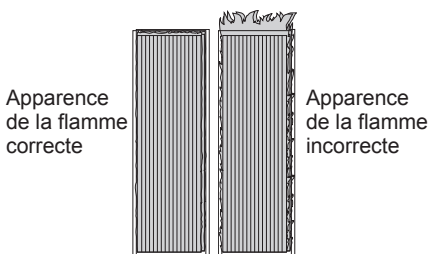


Figure 11 - Fonctionnement du brûleur

ENTREPOSAGE

⚠ ATTENTION ! Débranchez l'appareil de chauffage de la bouteille de propane ou de GPL.

1. N'entreposez pas l'appareil de chauffage s'il est attaché à la bouteille de propane ou de GPL. Fermez la vanne de la bouteille. Enlevez l'assemblage tuyau-détendeur de la bouteille de propane ou de GPL en tournant l'écrou du raccord de gaz dans le sens des aiguilles d'une montre.
2. L'appareil de chauffage ne peut être entreposé que si la bouteille est détachée et démontée de l'appareil de chauffage.
3. Entreposez les bouteilles de propane ou de GPL avec les précautions de sécurité nécessaires. Consultez le Chapitre 5 de la *Norme pour l'emmagasinage et la manipulation du gaz de pétrole liquéfié, ANSI/NFPA 58*. Respectez tous les codes locaux. Les bouteilles doivent être rangées à l'extérieur dans un endroit bien aéré et hors de la portée des enfants. Les bouteilles débranchées doivent avoir des bouchons de vannes filetés installés solidement et ne doivent pas être entreposées dans un édifice, un garage ou tout autre endroit fermé. N'entreposez jamais de bouteille de gaz près d'une source de chaleur élevée, de flammes ou dans des endroits où la température dépasse 38 °C (100 °F).
4. Entreposez l'appareil de chauffage dans un endroit sec, propre et sans danger.

ENTRETIEN

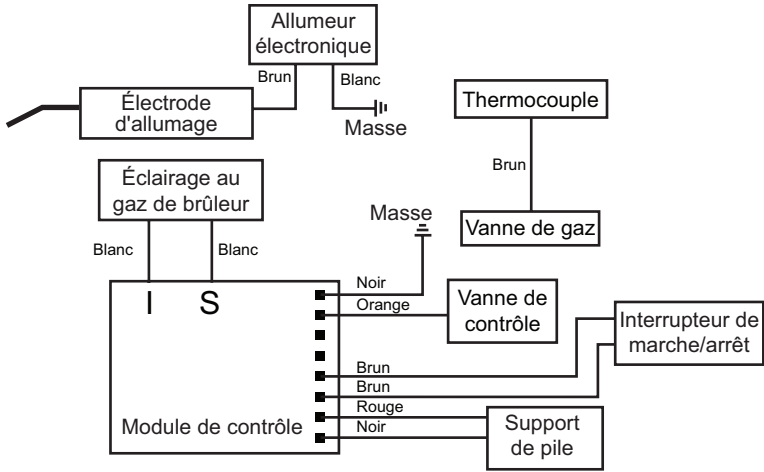
⚠ AVERTISSEMENT : N'essayez jamais de réparer l'appareil s'il est raccordé à une source d'approvisionnement en propane ou GPL, en fonctionnement ou brûlant. Des brûlures graves peuvent en résulter. Toute grille ou autre dispositif de protection retiré de l'appareil avant une réparation doit être remis en place avant de faire fonctionner l'appareil de chauffage.

1. Gardez l'appareil de chauffage propre. Retirez tout débris des ouvertures de ventilation.
2. Inspectez l'appareil de chauffage avant chaque utilisation. Vérifiez qu'il n'y a pas de fuite aux raccords. Appliquez une solution de savon et d'eau sur les raccords. L'apparition de bulles indique la présence d'une fuite qui doit être réparée. Réparez toutes les fuites immédiatement.
3. Inspectez l'assemblage du tuyau et du détendeur avant chaque utilisation. Si le tuyau est très usé ou fendu, remplacez-le. Une fois l'an au moins, retirez l'assemblage tuyau-détendeur de l'appareil pour inspecter la canalisation sur toute sa longueur. La tuyauterie de remplacement doit être du même type que celle fournie avec cet appareil.
4. Les araignées et autres insectes créent des situations dangereuses qui peuvent endommager l'appareil de chauffage ou compromettre sa sécurité. Assurez-vous que la zone du brûleur ne contient pas d'araignées, de toiles d'araignée ou d'insectes.
5. Faites inspecter l'appareil de chauffage une fois l'an par un technicien de service qualifié.

SPÉCIFICATIONS

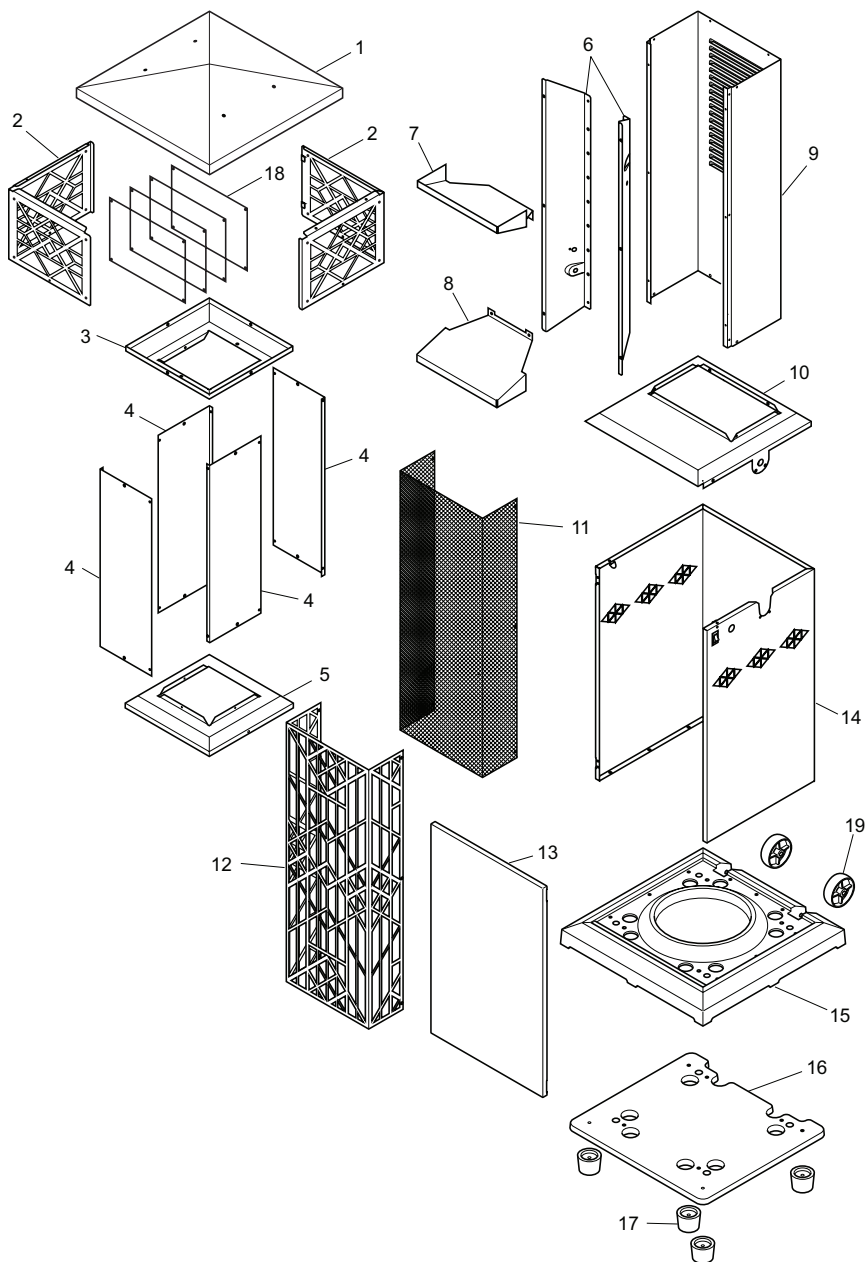
- Puissance de sortie : supérieure 10,7 kW (36 500 Btu/h), inférieure 5,86 kW (20 000 Btu/h)
- Combustible : vapeur de propane seulement
- Consommation de carburant/heure : min. 0,83 litre (0,22 gal), max. 1,48 litre (0,39 gal); min. 0,42 kg (0,93 lb), max. 0,76 kg (1,67 lb)
- Pression d'approvisionnement (au détendeur) : maximale 1,379 kPa (200 lb/po²) minimale, pour le réglage à l'entrée 34,5 kPa (5 lb/po²)
- Pression du collecteur : supérieure 6,89 kPa (1 lb/po²), inférieure 6,77 kPa (0,98 lb/po²)
- Écartement d'allumage : 0,305 cm (0,120 po)
- Température minimale ambiante : 29 °C (-20 °F)
- Dimensions de l'appareil (L x P x H) : 0,45 x 0,43 x 2,1 m (18 x 17,125 x 82 po)
- Dimensions de la boîte (L x P x H) : 0,98 x 0,46 x 0,45 m (38,625 x 18,125 x 18 po)
- Poids de l'appareil : 43,5 kg (96 lb)
- Poids à l'expédition : 49,9 kg (110 lb)

DIAGRAMME DE CÂBLAGE



VUE DÉTAILLÉE DES PIÈCES

ASSEMBLAGE DE L'HABILLAGE MODÈLES TD100, TD102, TD104 ET TD110



LISTE DES PIÈCES

ASSEMBLAGE DE L'HABILLAGE

MODÈLES TD100, TD102, TD104 ET TD110

Cette liste contient les pièces de rechange utilisées dans votre appareil de chauffage. Pour commander des pièces, suivez les instructions de la section *Pièces de rechange*, page 17.

N°	N° DE PIÈCE	DESCRIPTION	TD100, TD110	TD102	TD104	QTE.
1	118890-01	Chapeau du pied de lampe	•	•		1
	118890-02	Chapeau du pied de lampe	•	•		1
2	118891-01	Assemblage du garniture de lampe, Mission	•	•		2
	118891-02	Assemblage du garniture de lampe, Ornate			•	2
3	118892-01	Collerette du pied de lampe	•	•		1
	118892-02	Collerette du pied de lampe	•	•		1
4	118885-01	Panneau pied de lampe		•		4
	118885-02	Panneau pied de lampe	•	•		4
5	118884-01	Couvercle de l'habillage inférieur du brûleur		•		1
	118884-02	Couvercle de l'habillage inférieur du brûleur	•	•		1
6	118887-01	Réflecteur droit/gauche	•	•	•	2
7	118888-01	Capuchon du réflecteur	•	•	•	1
8	118889-01	Base du réflecteur	•	•	•	1
9	118883-01	Habillage inférieur du brûleur		•		1
	118883-02	Habillage inférieur du brûleur	•	•		1
10	118882-01	Couvercle du socle de l'habillage		•		1
	118882-02	Couvercle du socle de l'habillage	•	•		1
11	119004-01	Grillage inférieur	•	•	•	1
12	118900-01	Grille avant du brûleur inférieur, Mission	•	•		1
	118900-02	Grille avant du brûleur inférieur, Ornate			•	1
13	118905-01	Porte du socle de l'habillage		•		1
	118905-02	Porte du socle de l'habillage	•	•		1
14	118881-01	Socle de l'habillage		•		1
	118881-02	Socle de l'habillage	•	•		1
15	118899-01	Socle du pied de lampe	•	•	•	1
16	118901-01	Support antibasculement du socle du pied de lampe	•	•	•	1
17	118902-01	Pied du socle	•	•	•	4
18	119005-01	Panneau supérieur	•	•	•	4
19	118849-01	Roue	•	•	•	2
*	119423-01	Housse en option (pas illustrée)			•	1

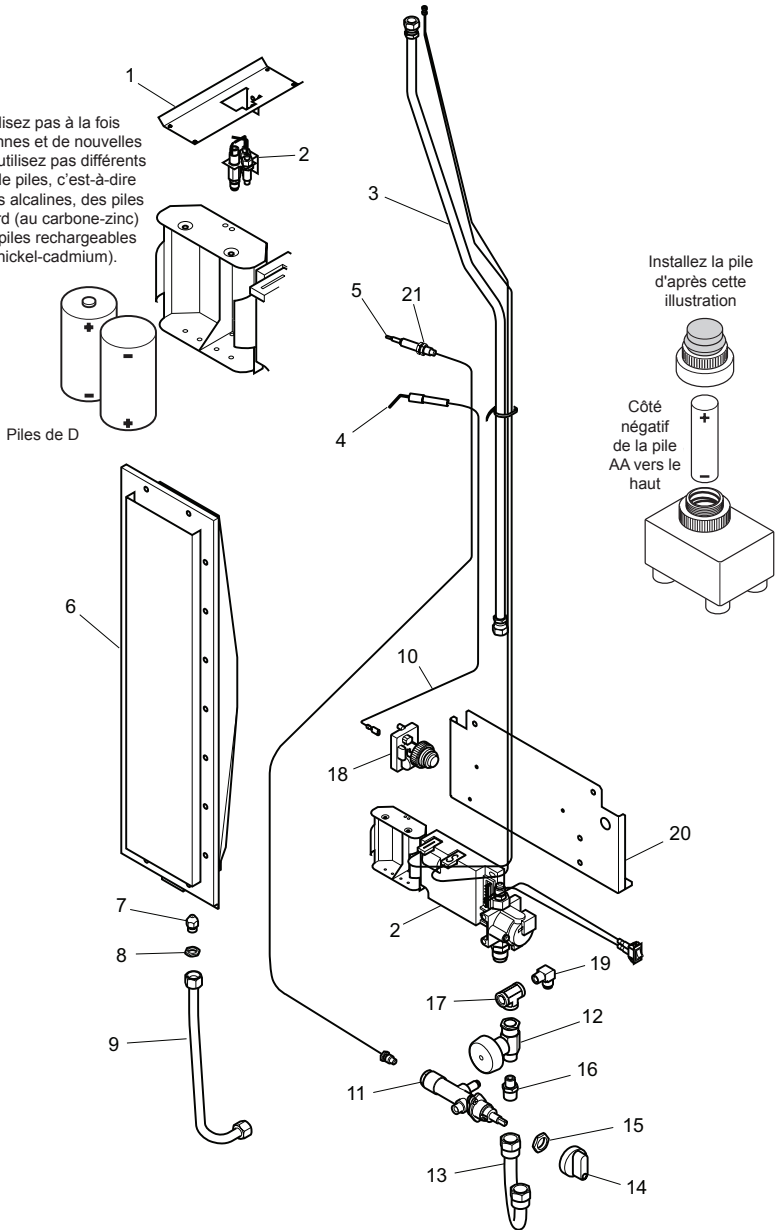
* Disponible comme accessoire pour les modèles TD100, TD102 et TD110.

VUE DÉTAILLÉE DES PIÈCES

COMPOSANTS D'APPROVISIONNEMENT EN GAZ

MODÈLES TD100, TD102, TD104 ET TD110

N'utilisez pas à la fois d'anciennes et de nouvelles piles. N'utilisez pas différents types de piles, c'est-à-dire des piles alcalines, des piles standard (au carbone-zinc) et des piles rechargeables (au nickel-cadmium).



LISTE DES PIÈCES

COMPOSANTS D'APPROVISIONNEMENT EN GAZ

MODÈLES TD100, TD102, TD104 ET TD110

Cette liste contient les pièces de rechange utilisées dans votre appareil de chauffage. Pour commander des pièces, suivez les instructions de la section *Pièces de rechange*, page 17.

N°	N° DE PIÈCE	DESCRIPTION	QTÉ
1	118893-01	Support de brûleur du pied de lampe	1
2	120373-01	Assemblage du brûleur d'éclairage supérieur	1
3	118904-01	Tuyau flexible du brûleur du pied de lampe	1
4	120570-01	Électrode d'allumage	1
5	118906-02	Thermocouple	1
6	119091-01	Brûleur principal du pied de lampe	1
7	118911-01	Diaphragme du brûleur principal	1
8	119472-01	Écrou du diaphragme	1
9	118913-01	Tuyau du brûleur principal	1
10	098271-11	Fil d'allumeur radiant	1
11	118868-02	Vanne de contrôle du brûleur principal	1
12	113793-01	Vanne d'arrêt manuelle	1
13	118914-01	Tuyau flexible de vanne	1
14	099393-02	Bouton de vanne	1
15	098508-01	Écrou de contrôle	1
16	119293-01	Raccord de sortie	1
17	118907-01	Raccord de sortie en T	1
18	111435-01	Allumeur électronique	1
19	118909-01	Coude de sortie	1
20	118896-01	Plaque de pied de lampe	1
21	100898-01	Écrou de thermocouple	2
PIÈCES DISPONIBLES - PAS ILLUSTRÉES			
	119111-01	Emballage-coque de quincaillerie	1
	119093-01	Assemblage du tuyau et du détendeur	1
	103158-01	Loquet de porte magnétique	2
	119110-01	Chaîne de retenue de bouteille de propane	1
	120574-01	Agrafe retenue	2
	118990-02	Étiquette de positionnement des contrôles, anglais	1
	118990-03	Étiquette de positionnement des contrôles, espagnol/français	1
	118990-04	Étiquette de positionnement des contrôles, anglais/espagnol/français	1
	118988-02	Étiquette d'avertissement	1
	118989-02	Étiquette signalétique du modèle	1
	100639-13	Étiquette de attention	1
	119297-01	Étiquette de tuyau	1

DÉPANNAGE

⚠ AVERTISSEMENT : N'essayez jamais de réparer l'appareil de chauffage s'il est raccordé à une source d'approvisionnement en propane ou GPL, en fonctionnement ou brûlant. Des brûlures graves peuvent en résulter.

SYMPTÔME	CAUSE POSSIBLE	SOLUTION
Le brûleur ne s'allume pas	<ol style="list-style-type: none">1. Vanne d'approvisionnement en propane ou GPL fermée sur la bouteille2. Obstruction de l'assemblage diaphragme, brûleur, coude, tuyau, détendeur3. Pile non installée, pile peu chargée ou pile mal installée	<ol style="list-style-type: none">1. Ouvrez lentement la vanne d'approvisionnement en propane ou GPL2. Nettoyez ou remplacez l'assemblage brûleur, diaphragme, coude, tuyau, détendeur3. Installez une nouvelle pile alcaline dans l'allumeur électronique. Vérifiez si la pile est correctement installée. Voir page 12
Le brûleur s'allume, mais il s'éteint dès que le bouton de la vanne de contrôle automatique est relâché	<ol style="list-style-type: none">1. Le préchauffage ne dure pas assez longtemps2. La pression du gaz est trop faible3. Le thermocouple est desserré ou doit être remplacé4. La vanne de contrôle automatique doit être remplacée5. L'écartement du thermocouple est trop grand	<ol style="list-style-type: none">1. Rallumez et appuyez sur le bouton de la vanne de contrôle automatique pendant 30 secondes2. Vérifiez si l'approvisionnement en gaz de la bouteille de propane ou de GPL est suffisant3. Resserrez la connexion ou remplacez le thermocouple4. Remplacez la vanne de contrôle automatique5. L'extrémité du thermocouple ne doit pas toucher le matériau de l'émetteur. Desserrez les vis du support pour rapprocher le thermocouple du brûleur. Ne permettez pas à l'allumeur de toucher. Conserver un écartement de 0,508 cm (0,20 po)
Le taux de combustion maximum est bas	<ol style="list-style-type: none">1. La pression du gaz est trop faible2. Il n'y a pas assez de carburant3. Obstruction de l'assemblage diaphragme, brûleur, coude, tuyau, détendeur	<ol style="list-style-type: none">1. Vérifiez l'approvisionnement en gaz et la sortie du détendeur2. Renseignez-vous auprès de votre fournisseur en propane ou GPL3. Nettoyez ou remplacez l'assemblage brûleur, diaphragme, coude, tuyau, détendeur

PIÈCES DE RECHANGE

⚠ AVERTISSEMENT : N'utilisez que des pièces de rechange d'origine. Cet appareil de chauffage utilise des pièces conçues spécifiquement pour lui. N'utilisez pas de substituts ou de pièces génériques. L'utilisation de pièces de rechange inappropriées peut causer des blessures graves ou la mort. Ceci protégera également la garantie des pièces remplacées sous garantie.

PIÈCES SOUS GARANTIE

Communiquez avec un revendeur autorisé de ce produit. S'ils ne peut pas vous fournir de pièces de rechange DESA d'origine, prenez contact avec le dépôt de pièces le plus proche ou appelez le service technique de DESA Heating Products au 1-866-672-6040.

Lorsque vous appelez DESA Heating Products, ayez sous la main :

- votre nom
- votre adresse
- le modèle et le numéro de série de votre appareil de chauffage
- la date de l'achat
- une description de la panne de l'appareil de chauffage

En général, nous vous demanderons de retourner la pièce à l'usine.

PIÈCES QUI NE SONT PAS SOUS GARANTIE

Contactez un revendeur agréé de ce produit. Si le revendeur ou le centre de service ne peut pas vous fournir une ou plusieurs pièces de rechange, prenez contact avec votre dépôt de pièces le plus proche (indiqué dans le livret des centres de service autorisés fourni avec votre appareil de chauffage) ou appelez DESA Heating Products (aux États-Unis) au 1-866-672-6040 ou DESA Industries (au Canada) au 1-415-255-5677 pour plus de renseignements.

Lorsque vous appelez DESA Heating Products, ayez sous la main :

- le modèle et le numéro de série de votre appareil de chauffage
- le numéro de la pièce de rechange

SERVICE TECHNIQUE

Vous aurez peut-être d'autres questions concernant l'installation, le fonctionnement ou le dépannage. Si tel est le cas, contactez le service technique de DESA Heating Products au 1-866-672-6040. Lorsque vous appelez, veuillez avoir les numéros de modèle et de série de votre appareil de chauffage sous la main.

Vous pouvez aussi visiter le site web du service technique de DESA Heating Products à l'adresse www.desatech.com.

ACCESSOIRES

Achetez les accessoires et pièces chez un revendeur ou au centre de service le plus près de chez vous. Si le revendeur ou le centre de service ne peut pas vous fournir un accessoire ou une pièce, prenez contact avec votre dépôt de pièces le plus proche (indiqué dans le livret des centres de service autorisés) ou appelez DESA Industries (au Canada) au 1-415-255-5677 ou DESA Heating Products (aux États-Unis) au 1-866-672-6040 pour plus de renseignements. Vous pouvez aussi nous écrire à l'adresse indiquée au dos de ce manuel.

HOUSSE POUR APPAREIL DE CHAUFFAGE DE PATIO - 119423-01

Vous pouvez acheter en plus une housse pour protéger votre appareil de chauffage de patio. Cette dernière est en polyester noir avec dessus le logo « Outdoor Leisure ».

Vous pouvez commander cette housse en vous rendant sur le site :

www.aboutoutdoorleisure.com

Cliquez sur « Online Outlet (Boutique en ligne) ».

Cliquez sur « Patio Heaters (Appareils de chauffage de patio) ».

Cliquez sur « Accessories (Accessoires) ».

INFORMATIONS SUR LA GARANTIE

GARANTIE LIMITÉE

DESA Heating, LLC garantit ce produit et les pièces qui le constituent contre tout défaut de matériau et de fabrication pour une durée d'un (1) an en cas d'usage résidentiel ou pour 90 jours en cas d'usage commercial ou industriel à compter de la date de l'achat initial lorsqu'il est utilisé et maintenu en conformité avec les instructions. Cette garantie ne protège que le premier acheteur au détail dans la mesure où une preuve d'achat est fournie.

Cette garantie ne couvre que le coût des pièces et de la main-d'œuvre requis pour restaurer le produit à son état de fonctionnement normal. Le transport et les frais incidents associés aux réparations sous garantie ne sont pas remboursables sous cette garantie.

Les réparations sous garantie ne sont offertes que par l'intermédiaire de revendeurs et de réparateurs agréés.

Cette garantie ne couvre pas les défauts causés par la mauvaise utilisation, l'abus, la négligence, les accidents, le manque d'entretien adéquat, l'usure normale, les modifications, les altérations, le trafic, les combustibles contaminés, les réparations avec des pièces inadéquates ou les réparations par quelqu'un d'autre qu'un revendeur ou un centre de service autorisé. L'entretien de routine est la responsabilité du propriétaire.

CETTE GARANTIE EXPRESSE REMPLACE TOUTE AUTRE GARANTIE EXPRESSE OU IMPLICITE, Y COMPRIS LES GARANTIES DE COMMERCIALITÉ ET D'ADÉQUATION À UN BESOIN PARTICULIER.

DESA Heating, LLC n'assume aucune responsabilité pour les dommages indirects, imprévus ou incidents. Certains états ou provinces ne permettent pas l'exclusion ou la restriction des dommages imprévus ou incidents et certaines restrictions ou exclusions pourraient ne pas s'appliquer à votre cas. Cette garantie limitée vous donne des droits spécifiques selon la loi; vous pourriez aussi avoir d'autres droits selon l'état ou la province où vous habitez.

Cette garantie ne couvre pas la décoloration due au fonctionnement de l'appareil. La seule garantie valable est notre garantie écrite standard. Nous n'offrons aucune autre garantie, expresse ou implicite.

RÉPARATION SOUS GARANTIE

Si votre appareil de chauffage a besoin de réparation, retournez-le au centre de service autorisé le plus près de chez vous. Une preuve d'achat doit être présentée avec l'appareil de chauffage. L'appareil de chauffage sera inspecté. Un défaut peut être causé par des matériaux défectueux ou un vice de fabrication. Si tel est le cas, DESA Heating, LLC réparera ou remplacera l'appareil de chauffage sans frais.

SERVICE DE RÉPARATION

Retournez l'appareil de chauffage au centre de service autorisé le plus près de chez vous. Chaque centre de service est autonome. Les réparations non couvertes par la garantie seront facturées aux prix normaux.

Pour des renseignements sur cette garantie, écrivez à :



DESA Heating, LLC
2701 Industrial Drive
P.O. Box 90004
Bowling Green, KY 42102-9004
www.desatech.com



INDUSTRIES OF CANADA, INC.
82 Akron Road
Toronto, Ontario
M8W 1T2
416-255-5333
www.desatech.com



118994 01

NOT A UPC

118994-01
Rev. G
03/07

Free Manuals Download Website

<http://myh66.com>

<http://usermanuals.us>

<http://www.somanuals.com>

<http://www.4manuals.cc>

<http://www.manual-lib.com>

<http://www.404manual.com>

<http://www.luxmanual.com>

<http://aubethermostatmanual.com>

Golf course search by state

<http://golfingnear.com>

Email search by domain

<http://emailbydomain.com>

Auto manuals search

<http://auto.somanuals.com>

TV manuals search

<http://tv.somanuals.com>