

**Before returning this product call**

**1-800-4-DEWALT**

IF YOU SHOULD EXPERIENCE A PROBLEM WITH YOUR DeWALT PURCHASE,

**CALL 1-800-4-DEWALT**

IN MOST CASES, A DeWALT REPRESENTATIVE CAN RESOLVE  
YOUR PROBLEM OVER THE PHONE.

IF YOU HAVE A SUGGESTION OR COMMENT, GIVE US A CALL.  
YOUR FEEDBACK IS VITAL TO THE SUCCESS OF DeWALT'S QUALITY  
IMPROVEMENT PROGRAM.

**Questions? Visit us at [www.dewalt.com](http://www.dewalt.com)**

**Des questions ? Rendez nous visite à [www.dewalt.com](http://www.dewalt.com)**

**¿Tiene preguntas? Visítenos en [www.dewalt.com](http://www.dewalt.com)**

**INSTRUCTION MANUAL  
GUIDE D'UTILISATION  
MANUAL DE INSTRUCCIONES**

INSTRUCTIVO DE OPERACIÓN, CENTROS DE SERVICIO Y PÓLIZA DE  
GARANTÍA. **ADVERTENCIA:** LÉASE ESTE INSTRUCTIVO ANTES DE  
USAR EL PRODUCTO.

**DEWALT®**

**DW716, DW716XPS**

**12" (305 mm) Double Bevel Compound Miter Saw**

**Scie coulissante à onglets mixtes, 305 mm (12 po)**

**Sierra ingletadora compuesta de doble bisel de 305 mm (12")**



### Definitions: Safety Guidelines

The definitions below describe the level of severity for each signal word. Please read the manual and pay attention to these symbols.

**⚠DANGER:** Indicates an imminently hazardous situation which, if not avoided, **will** result in **death or serious injury**.

**⚠WARNING:** Indicates a potentially hazardous situation which, if not avoided, **could** result in **death or serious injury**.

**⚠CAUTION:** Indicates a potentially hazardous situation which, if not avoided, **may** result in **minor or moderate injury**.

**NOTICE:** Indicates a practice **not related to personal injury** which, if not avoided, **may** result in **property damage**.

IF YOU HAVE ANY QUESTIONS OR COMMENTS ABOUT THIS OR ANY DEWALT TOOL, CALL US TOLL FREE AT: **1-800-4-DEWALT (1-800-433-9258)**.

### IMPORTANT SAFETY INSTRUCTIONS



**WARNING:** When using electric tools, basic safety precautions should always be followed to reduce risk of fire, electric shock, and personal injury, including the following:

#### SAVE ALL WARNINGS AND INSTRUCTIONS FOR FUTURE REFERENCE

### Double Insulation

Double insulated tools are constructed throughout with two separate layers of electrical insulation or one single layer of reinforced insulation between you and the tool's electrical system. Tools built with this insulation system are not intended to be grounded. As a result, your tool is equipped with a two prong plug which permits you to use extension cords without concern for maintaining a ground connection.

**NOTE:** Double insulation does not take the place of normal safety precautions when operating this tool. The secondary insulation system is for protection against injury resulting from a possible failure of the primary insulation within the tool.

**⚠CAUTION:** WHEN SERVICING USE ONLY IDENTICAL REPLACEMENT PARTS. Repair or replace damaged cords.

### Polarized Plugs

Polarized plugs (one blade is wider than the other) are used on equipment to reduce the risk of electric shock. When provided, this plug will fit in the polarized outlet only one way. If the plug does not fit fully in the outlet, reverse the plug. If it still does not fit, contact a qualified electrician to install the proper outlet. Do not change the plug in any way.

### Safety Instructions For All Tools

**⚠WARNING:** To reduce the risk of eye injury, **ALWAYS** use eye protection when operating the miter saw.

- **KEEP GUARD IN PLACE** and in working order.
- **REMOVE ADJUSTING KEYS AND WRENCHES.** Form habit of checking to see that keys and adjusting wrenches are removed from spindle before turning tool on. Tools, scrap pieces, and other debris can be thrown at high speed, causing injury.
- **KEEP WORK AREA CLEAN.** Cluttered areas and benches invite accidents.
- **DO NOT USE THE MACHINE IN A DANGEROUS ENVIRONMENT.** The use of power tools in damp or wet locations or in rain can cause shock or electrocution. Keep your work area well-lit to avoid tripping or placing arms, hands, and fingers in danger.

- **KEEP CHILDREN AWAY.** All visitors should be kept at a safe distance from work area. Your shop is a potentially dangerous environment.
- **MAKE WORKSHOP CHILDPROOF** with padlocks, master switches, or by removing starter keys. The unauthorized start-up of a machine by a child or visitor may result in injury.
- **DON'T FORCE TOOL.** It will do the job better and be safer at the rate for which it was designed.
- **USE RIGHT TOOL.** Don't force tool or attachment to do a job for which it was not designed. Using the incorrect tool or attachment may result in personal injury.
- **WEAR PROPER APPAREL.** No loose clothing, gloves, neckties, rings, bracelets, or other jewelry to get caught in moving parts. Non-slip footwear is recommended. Wear protective hair covering to contain long hair. Air vents may cover moving parts and should also be avoided.
- **ALWAYS USE SAFETY GLASSES.** Everyday eyeglasses are NOT safety glasses. Also use face or dust mask if cutting operation is dusty. **ALWAYS WEAR CERTIFIED SAFETY EQUIPMENT:**
  - ANSI Z87.1 eye protection (CAN/CSA Z94.3)
  - ANSI S12.6 (S3.19) hearing protection
  - NIOSH/OSHA/MSHA respiratory protection
- **SECURE THE WORKPIECE.** Use clamps or a vise to hold the workpiece on the table and against the fence or when your hand will be dangerously close to the blade within 6" (152 mm). It is safer than using your hand and it frees both hands to operate tool.
- **DON'T OVERREACH.** Keep proper footing and balance at all times. Loss of balance may cause personal injury.
- **MAINTAIN TOOLS WITH CARE.** Keep tools sharp and clean for best and safest performance. Follow instructions for lubricating and changing accessories. Poorly maintained tools and machines can further damage the tool or machine and/or cause injury.
- **TURN THE MACHINE "OFF", AND DISCONNECT THE MACHINE FROM THE POWER SOURCE** before installing or removing accessories, before adjusting or changing set-ups, when making repairs or changing locations. An accidental start-up can cause injury. Do not touch the plug's metal prongs when unplugging or plugging in the cord.
- **REDUCE THE RISK OF UNINTENTIONAL STARTING.** Make sure that the switch is in the "OFF" position before plugging in the power cord.
- **USE PROPER EXTENSION CORD.** Make sure your extension cord is in good condition. When using an extension cord, be sure to use one heavy enough to carry the current your product will draw. An undersized cord will cause a drop in line voltage resulting in loss of power and overheating. The following table shows the correct size to use depending on cord length and nameplate ampere rating. If in doubt, use the next heavier gauge. The smaller the gauge number, the heavier the cord.

Minimum Gauge for Cord Sets						
Ampere Rating		Volts	Total Length of Cord in Feet (meters)			
		120 V	25 (7.6)	50 (15.2)	100 (30.5)	150 (45.7)
		240 V	50 (15.2)	100 (30.5)	200 (61.0)	300 (91.4)
More Than	Not More Than	AWG				
0	6	18	16	16	14	
6	10	18	16	14	12	
10	12	16	16	14	12	
12	16	14	12	Not Recommended		

- **CHECK FOR DAMAGED PARTS.** Before further use of the tool, a guard or other part that is damaged should be carefully checked to determine that it will operate properly and perform its intended function—check for alignment of moving parts, binding of moving parts, breakage of parts, mounting and any other conditions that may affect its operation. A guard or other part that is damaged should be properly repaired or replaced. Do not use tool if switch does not turn it on and off.
- **USE RECOMMENDED ACCESSORIES.** Use only accessories that are recommended by the manufacturer for your model. Accessories that may be suitable for one tool may be hazardous when used on another tool. Consult the instruction manual for recommended accessories. The use of improper accessories may cause risk of injury to persons.
- **NEVER STAND ON TOOL.** Serious injury could occur if the tool is tipped or if the cutting tool is unintentionally contacted.
- **NEVER LEAVE TOOL RUNNING UNATTENDED. TURN POWER OFF.** Don't leave tool until it comes to a complete stop. Serious injury can result.
- **DO NOT OPERATE ELECTRIC TOOLS NEAR FLAMMABLE LIQUIDS OR IN GASEOUS OR EXPLOSIVE ATMOSPHERES.** Motors in these tools may spark and ignite fumes.
- **STAY ALERT, WATCH WHAT YOU ARE DOING, AND USE COMMON SENSE. DO NOT USE THE MACHINE WHEN YOU ARE TIRED OR UNDER THE INFLUENCE OF DRUGS or ALCOHOL.** A moment of inattention while operating power tools may result in injury.

### Additional Safety Rules For Miter Saws

**⚠WARNING:** Do not allow familiarity (gained from frequent use of your saw) to replace safety rules. Always remember that a careless fraction of a second is sufficient to inflict severe injury.

- **DO NOT OPERATE THIS MACHINE** until it is completely assembled and installed according to the instructions. A machine incorrectly assembled can cause serious injury.
- **OBTAIN ADVICE** from your supervisor, instructor, or another qualified person if you are not thoroughly familiar with the operation of this machine. Knowledge is safety.
- **STABILITY.** Make sure the miter saw is placed on a secure supporting surface and does not slip or move during use.
- **FOLLOW ALL WIRING CODES** and recommended electrical connections to prevent shock or electrocution. Protect electric supply line with at least a 15 ampere time-delay fuse or a circuit breaker.”
- **MAKE CERTAIN** the blade rotates in the correct direction. The teeth on the blade should point in the direction of rotation as marked on the saw.
- **TIGHTEN ALL CLAMP HANDLES,** knobs and levers prior to operation. Loose clamps can cause parts or the workpiece to be thrown at high speeds.
- **BE SURE** all blade and blade clamps are clean, recessed sides of blade clamps are against blade and arbor screw is tightened securely. Loose or improper blade clamping may result in damage to the saw and possible personal injury.
- **ALWAYS USE A SHARP BLADE.** Check the blade to see if it runs true and is free from vibration. A dull or a vibrating blade can cause damage to the machine and/or serious injury.”
- **DO NOT OPERATE ON ANYTHING OTHER THAN THE DESIGNATED VOLTAGE** for the saw. Overheating, damage to the tool and personal injury may occur.
- **DO NOT WEDGE ANYTHING AGAINST THE FAN** to hold the motor shaft. Damage to tool and possible personal injury may occur.
- **DO NOT force cutting action.** Stalling or partial stalling of motor can cause damage. To the machine or blade and/or serious injury.
- **ALLOW THE MOTOR TO COME TO FULL SPEED** prior to starting cut. Starting the cut too soon may cause damage to the machine or blade and/or serious injury.”
- **NEVER CUT FERROUS METALS** (Those with any iron or steel content) or masonry. Either of these can cause the carbide tips to fly off the blade at high speeds causing serious injury.
- **DO NOT USE ABRASIVE WHEELS.** The excessive heat and abrasive particles generated by them may damage the saw and cause personal injury.
- **NEVER** have any part of your body in line with the path of the saw blade. Personal injury will occur.
- **NEVER** apply blade lubricant to a running blade. Applying lubricant could cause your hand to move into the blade resulting in serious injury.
- **DO NOT** place either hand in the blade area when the saw is connected to the power source. Inadvertent blade activation may result in serious injury.
- **DO NOT PERFORM FREE-HAND OPERATIONS** (workpiece not supported by table and fence). Hold the work firmly against the fence and table. Free-hand operations on a miter saw could cause the workpiece to be thrown at high speeds, causing serious injury.
- **NEVER REACH AROUND or behind the saw blade.** A blade can cause serious injury.
- **DO NOT reach underneath the saw** unless it is unplugged and turned off. Contact with saw blade may cause personal injury.
- **SECURE THE MACHINE TO A STABLE SUPPORTING SURFACE.** Vibration can possibly cause the machine to slide, walk, or tip over, causing serious injury.
- **USE ONLY CROSSCUT SAW BLADES** recommended for miter saws. For best results, do not use carbide tipped blades with hook angles in excess of 7 degrees. Do not use blades with deep gullets. These can deflect and contact the guard, and can cause damage to the machine and/or serious injury.
- **USE ONLY BLADES OF THE CORRECT SIZE AND TYPE** specified for this tool to prevent damage to the machine and/or serious injury.
- **INSPECT BLADE FOR CRACKS** or other damage prior to operation. A cracked or damaged blade can come apart and pieces can be thrown at high speeds, causing serious injury. Replace cracked or damaged blades immediately.
- **CLEAN THE BLADE AND BLADE CLAMPS** prior to operation. Cleaning the blade and blade clamps allows you to check for any damage to the blade or blade clamps. A cracked or damaged blade or blade clamp can come apart and pieces can be thrown at high speeds, causing serious injury.
- **DO NOT** use lubricants or cleaners (particularly spray or aerosol) in the vicinity of the plastic guard. The polycarbonate material used in the guard is subject to attack by certain chemicals.
- **ALWAYS USE THE KERF PLATE AND REPLACE THIS PLATE WHEN DAMAGED.** Small chip accumulation under the saw may interfere with the saw blade or may cause instability of workpiece when cutting.
- **USE ONLY BLADE CLAMPS** specified for this tool to prevent damage to the machine and/or serious injury.
- **CLEAN THE MOTOR AIR SLOTS** of chips and sawdust. Clogged motor air slots can cause the machine to overheat, damaging the machine and possibly causing a short which could cause serious injury.
- **KEEP ARMS, HANDS, AND FINGERS** away from the blade to prevent severe cuts. Clamp all workpieces that would cause your hand to be within 6" (152 mm) of the saw blade.
- **NEVER LOCK THE SWITCH IN THE “ON”** position. Severe personal injury may result.
- **TURN OFF THE MACHINE** and allow the blade to come to a complete stop before raising the arm and prior to cleaning the blade area, removing debris in the path of the blade, before servicing or adjusting tool. A moving blade can cause serious injury.
- **PROPERLY SUPPORT LONG OR WIDE WORKPIECES.** Loss of control of the workpiece can cause injury.



- **NEVER cross arms in front of blade** while using tool. Always make a dry run (unpowered) before making a finish cut so that you can check the path of the blade or severe personal injury may result.
- **ADDITIONAL INFORMATION** regarding the safe and proper operation of power tools (i.e. a safety video) is available from the Power Tool Institute, 1300 Sumner Avenue, Cleveland, OH 44115-2851 ([www.powertoolinstitute.com](http://www.powertoolinstitute.com)). Information is also available from the National Safety Council, 1121 Spring Lake Drive, Itasca, IL 60143-3201. Please refer to the American National Standards Institute ANSI 01.1 Safety Requirements for Woodworking Machines and the U.S. Department of Labor OSHA 1910.213 Regulations.

**⚠WARNING:** Do not connect unit to electrical power source until complete instructions are read and understood.

**⚠WARNING:** Always wear proper personal hearing protection that conforms to ANSI S12.6 (S3.19) during use. Under some conditions and duration of use, noise from this product may contribute to hearing loss.

**⚠WARNING:** NEVER MAKE ANY CUT UNLESS THE MATERIAL IS SECURED ON THE TABLE AND AGAINST THE FENCE.

**⚠WARNING:** Some dust created by power sanding, sawing, grinding, drilling, and other construction activities contains chemicals known to the State of California to cause cancer, birth defects or other reproductive harm. Some examples of these chemicals are:

- lead from lead-based paints,
- crystalline silica from bricks and cement and other masonry products, and
- arsenic and chromium from chemically-treated lumber.

Your risk from these exposures varies, depending on how often you do this type of work. To reduce your exposure to these chemicals: work in a well ventilated area, and work with approved safety equipment, such as dust masks that are specially designed to filter out microscopic particles.

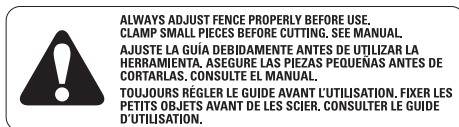
- **Avoid prolonged contact with dust from power sanding, sawing, grinding, drilling, and other construction activities. Wear protective clothing and wash exposed areas with soap and water. Allowing dust to get into your mouth, eyes, or lay on the skin may promote absorption of harmful chemicals.**

**⚠WARNING:** Use of this tool can generate and/or disburse dust, which may cause serious and permanent respiratory or other injury. Always use NIOSH/OSHA approved respiratory protection appropriate for the dust exposure. Direct particles away from face and body. For your convenience and safety, the following warning labels are on your miter saw.

#### ON MOTOR HOUSING:

**⚠WARNING: TO REDUCE THE RISK OF INJURY, USER MUST READ INSTRUCTION MANUAL BEFORE OPERATING MITER SAW. WHEN SERVICING, USE ONLY IDENTICAL REPLACEMENT PARTS. DO NOT EXPOSE TO RAIN OR USE IN DAMP LOCATIONS. ALWAYS USE PROPER EYE AND RESPIRATORY PROTECTION.**

#### ON MOVING FENCES:



**ALWAYS ADJUST FENCE PROPERLY BEFORE USE. CLAMP SMALL PIECES BEFORE CUTTING. SEE MANUAL.**

#### ON GUARD:

**DANGER --KEEP AWAY FROM BLADE.**

#### ON UPPER GUARD:

**PROPERLY SECURE BRACKET WITH BOTH SCREWS BEFORE USE.**

#### ON TABLE: (2 PLACES)

**⚠WARNING: FOR YOUR OWN SAFETY, READ INSTRUCTION MANUAL BEFORE OPERATING MITER SAW. KEEP HANDS OUT OF PATH OF SAW BLADE. DO NOT OPERATE SAW WITHOUT GUARDS IN PLACE. CHECK LOWER GUARD FOR PROPER CLOSING BEFORE EACH USE. ALWAYS TIGHTEN ADJUSTMENT KNOBS BEFORE USE. DO NOT PERFORM ANY OPERATION FREEHAND. NEVER REACH IN BACK OF SAW BLADE. NEVER CROSS ARMS IN FRONT OF BLADE. TURN OFF TOOL AND WAIT FOR SAW BLADE TO STOP BEFORE MOVING WORKPIECE, CHANGING SETTINGS OR MOVING HANDS. DISCONNECT POWER BEFORE CHANGING BLADE OR SERVICING. TO REDUCE THE RISK OF INJURY, RETURN CARRIAGE TO THE FULL REAR POSITION AFTER EACH CROSSCUT OPERATION. THINK! YOU CAN PREVENT ACCIDENTS.**

#### ON BASE: (2 PLACES)



#### Electrical Connection

Be sure your power supply agrees with the nameplate marking. 120 volts, AC means that your saw will operate on alternating current. The switch is susceptible to failure if direct current is used. A voltage decrease of 10 percent or more will cause a loss of power and overheating. All DEWALT tools are factory tested. If this tool does not operate, check the power supply.

#### Accessories

**⚠WARNING:** Since accessories, other than those offered by DEWALT, have not been tested with this product, use of such accessories with this tool could be hazardous. To reduce the risk of injury, only DEWALT, recommended accessories should be used with this product.

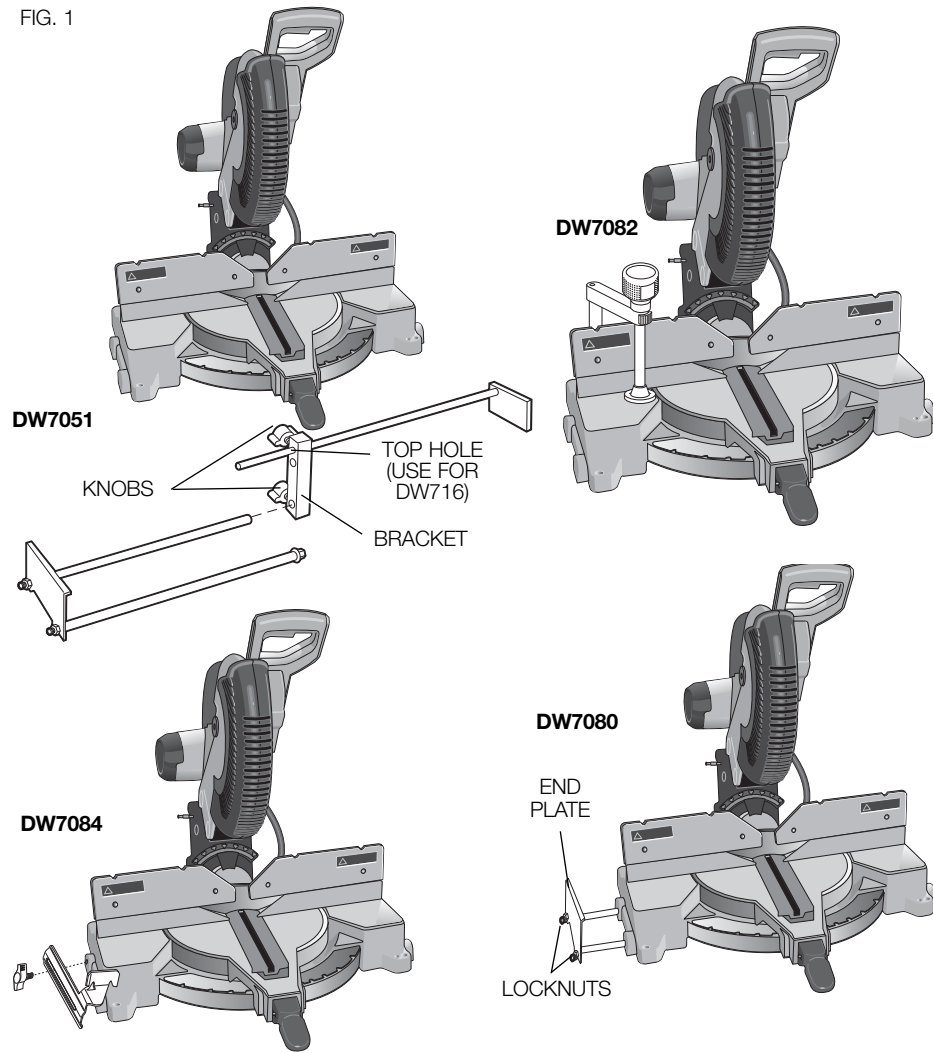
Recommended accessories for use with your tool are available for purchase from your local dealer or authorized service center. If you need assistance in locating any accessory for your tool, please contact DEWALT Industrial Tool Co., 701 East Joppa Road, Baltimore, MD 21286, call 1-800-4-DEWALT (1-800-433-9258) or visit our website [www.dewalt.com](http://www.dewalt.com).

**DANGER**  
**PELIGRO**

KEEP AWAY  
FROM BLADE  
MANTENERS ALEJADO  
DE LA HOJA  
S'ÉLOIGNER DE LA LAME



FIG. 1



**Optional Accessories (Fig. 1)**

The following accessories, designed for your saw, may be helpful. In some cases, other locally obtained work supports, length stops, clamps, etc., may be more appropriate. Use care in selecting and using accessories.

**Extension, Work Support: DW7080**

Used to support long overhanging workpieces, the work support is user assembled. Your saw table is designed to accept two work supports; one on each side.

**Adjustable Length Stop: DW7051**

Requires the use of one work support. It is used to make repetitive cuts of the same length from 0 to 42" (0-107 cm).

**Clamp: DW7082**

Used for firmly clamping workpiece to the saw table for precision cutting.

**Dust Bag: DW7053 (Included with some models)**

Equipped with a zipper for easy emptying, the dust bag will capture the majority of the sawdust produced (not shown).

**Crown Molding Fence: DW7084**

Used for precision cutting of crown molding.

**Kerf Plate Blank: DW7055 (not shown)**

Used to limit back side tear out of material or as a replacement kerf plate.

**Miter Saw Stands: DWX723, DWX724, DWX725B (not shown)**

Provides stable and accurate work platform for miter saws.

**SAW BLADES:** ALWAYS USE 12" (305 mm) SAW BLADES WITH 1" (25.4 mm) ARBOR HOLES. SPEED RATING MUST BE AT LEAST 4800 RPM. Never use a smaller diameter blade. It will not be guarded properly. Use crosscut blades only! Do not use blades designed for ripping, combination blades or blades with hook angles in excess of 7 degrees..

BLADE DESCRIPTIONS		
APPLICATION	DIAMETER	TEETH
<b>Construction Saw Blades</b> ( <i>thin kerf with anti-stick rim</i> )		
General Purpose	12" (305 mm)	40
Fine Crosscuts	12" (305 mm)	60
<b>Woodworking Saw Blades</b> ( <i>provide smooth, clean cuts</i> )		
Fine crosscuts	12" (305 mm)	80
Non-ferrous metals	12" (305 mm)	96
<b>NOTE:</b> For cutting non-ferrous metals, use only saw blades with TCG teeth designed for this purpose.		

**IMPORTANT SAFETY INSTRUCTIONS**

**Unpacking Your Saw**

Check the contents of your miter saw carton to make sure that you have received all parts. In addition to this instruction manual, the carton should contain:

1. One No. DW716 or DW716XPS miter saw.
2. One DeWALT 12" (305 mm) dia. saw blade
3. One blade wrench in wrench pocket shown in Figure 2.
4. One DW7053 dustbag (some models).

**Specifications**

**CAPACITY OF CUT**

- 50° miter left and right
- 48° bevel left and right
- 0° miter
  - Max. Height 3.6" (91.5 mm) Result Width 7.2" (183 mm)
  - Max. Width 7.9:" (200.7 mm) Result Height 2.9" (73.7 mm)
- 45° miter
  - Max. Height 3.6" (91.5 mm) Result Width 4.9" (125 mm)
  - Max. Width 5.5" (140 mm) Result Height 2.9" (73.7 mm)
- 45° bevel - Left
  - Max. Height 2.3" (58.4 mm) Result Width 7.4" (188 mm)
  - Max. Width 7.9" (200.7 mm) Result Height 1.9" (48.3 mm)

45° bevel - Right

Max. Width 7.9" (200.7 mm) Result Height 1.1" (28 mm)

Max. Height 1.6" (40.6 mm) Result Width 7.1" (180.3 mm)

Your saw is capable of cutting baseboard moldings 0.9" (22.9 mm) thick by 6" (152 mm) tall on a 45° right or left miter.

**NOTE:** Your saw is capable of cutting the following once a special set-up procedure is followed (see **Special Cuts**).

- 0° miter height 1.5" (38.1 mm)  
width 10" (255 mm)
- 45° miter height 1.5" (38.1 mm)  
width 7.5" (190.5 mm)

**DRIVE**

**120 Volt Motor**

1675 Watts (max in)

3800 RPM

Multi-V Belt

Automatic Electric Brake

15 Amp Motor

Cut Helical Gears

Roller Bearings

Carbide Blade

**Familiarization**

Your miter saw is fully assembled in the carton. Open the box and lift the saw out by the convenient carrying handle, as shown in Figure 1A. Place the saw on a smooth, flat surface such as a workbench, strong table or DEWALT miter saw stand. Examine Figure 2 to become familiar with the saw and its various parts. The section on adjustments will refer to these terms and you must know what and where the parts are.

**CAUTION:** Pinch Hazard. To reduce the risk of injury, keep thumb underneath the handle when pulling the handle down. The lower guard will move up as the handle is pulled down which could cause pinching. The handle is placed close to the guard for special cuts.

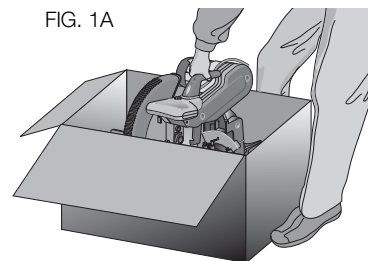
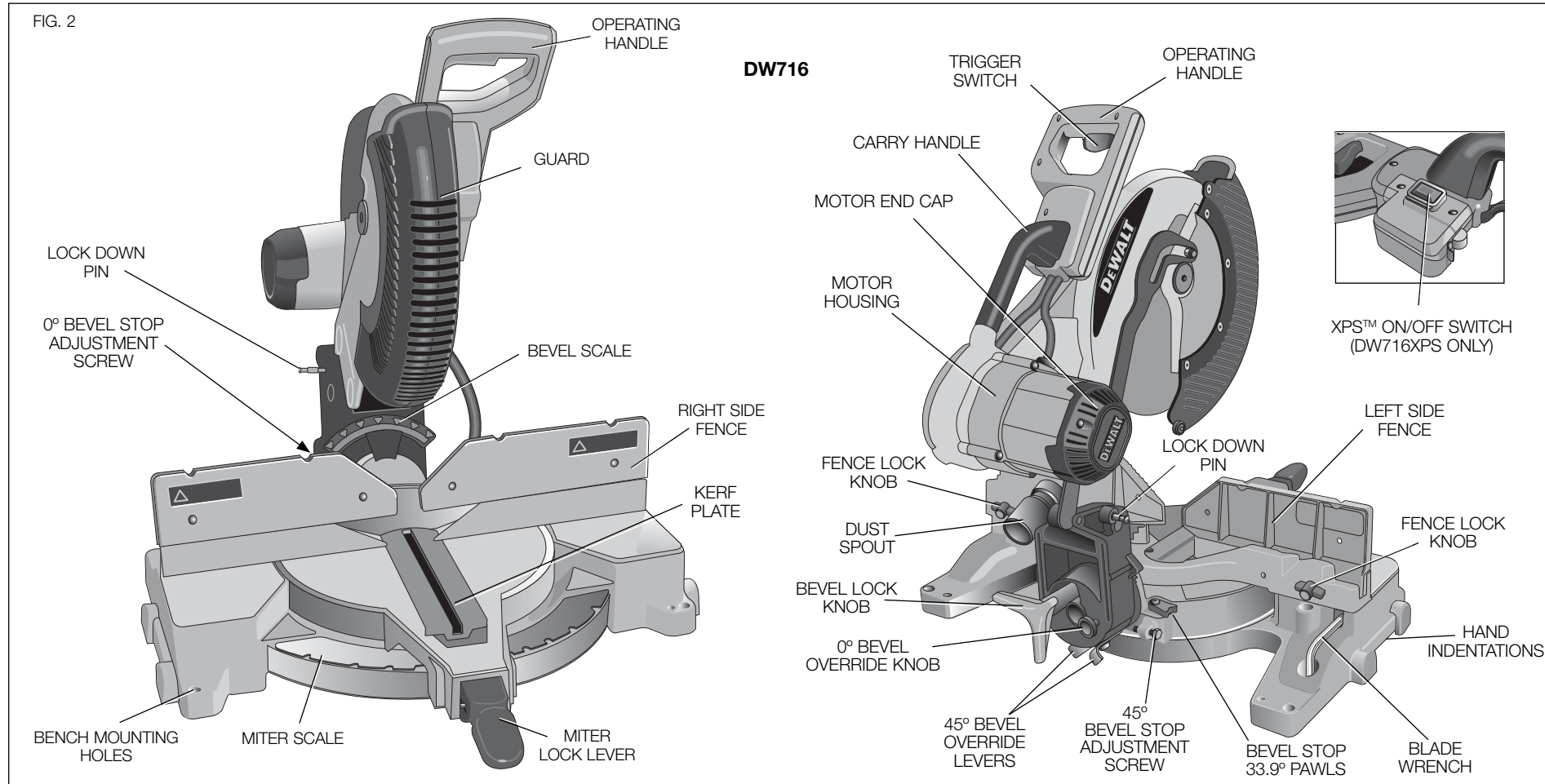


FIG. 1A

FIG. 2



Press down lightly on the operating handle and pull out the lock down pin, as shown in Figure 2. Gently release the downward pressure and hold the arm allowing it to rise to its full height. Use the lock down pin when carrying the saw from one place to another. Always use the carrying handle to transport the saw or the hand indentations shown in Figure 2 and 4.

## ASSEMBLY AND ADJUSTMENTS

**⚠WARNING:** To reduce the risk of injury, turn unit off and disconnect it from power source before installing and removing accessories, before adjusting or when making repairs. An accidental start-up can cause injury.

### Bench Mounting

Holes are provided in all four feet to facilitate bench mounting, as shown in Figure 2. (Two different sized holes are provided to accommodate different sizes of screws. Use either hole, it is not necessary to use both.) Always mount your saw firmly to a stable surface to prevent movement. To enhance the tool's portability, it can be mounted to a piece of 1/2" (12.7 mm) or thicker plywood which can then be clamped to your work support or moved to other job sites and reclamped.

**NOTE:** If you elect to mount your saw to a piece of plywood, make sure that the mounting screws don't protrude from the bottom of the wood. The plywood must sit flush on the work support. When clamping the saw to any work surface, clamp only on the clamping bosses where the mounting screw holes are located. Clamping at any other point will surely interfere with the proper operation of the saw.

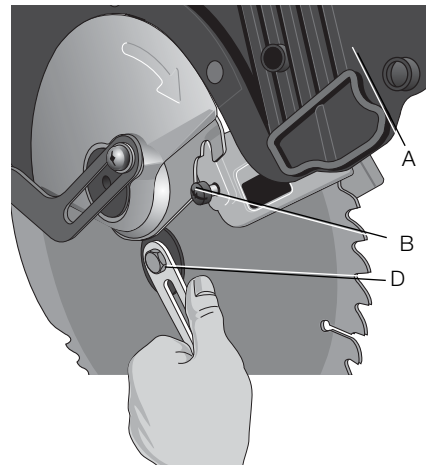
**⚠CAUTION:** To prevent binding and inaccuracy, be sure the mounting surface is not warped or otherwise uneven. If the saw rocks on the surface place a thin piece of material under one saw foot until the saw sits firmly on the mounting surface.

### Changing or Installing a New Saw Blade (Fig. 3)

#### ⚠CAUTION:

- Never depress the spindle lock button while the blade is under power or coasting.
- Do not cut ferrous metal (containing iron or steel) or masonry or fiber cement product with this miter saw.

FIG. 3



## Removing the Blade

1. Unplug the saw.
2. Raise the arm to the upper position and raise the lower guard (A) as far as possible.
3. Loosen, but do not remove guard bracket screw (B) until the bracket can be raised far enough to access the blade screw. Lower guard will remain raised due to the position of the guard bracket screw.
4. Depress the spindle lock button (C) while carefully rotating the saw blade by hand until the lock engages.
5. Keeping the button depressed, use the other hand and the wrench provided (D) to loosen the blade screw. (Turn clockwise, left-hand threads.)
6. Remove the blade screw (E), outer blade clamp (F), and blade (G). The inner blade clamp (I), and if used, the 1" (25.4 mm) blade adapter (H), may be left on the spindle.

**NOTE:** For blades with a blade hole of 5/8" (15.88 mm), the 1" (25.4 mm) blade adapter is not used.

FIG. 3A

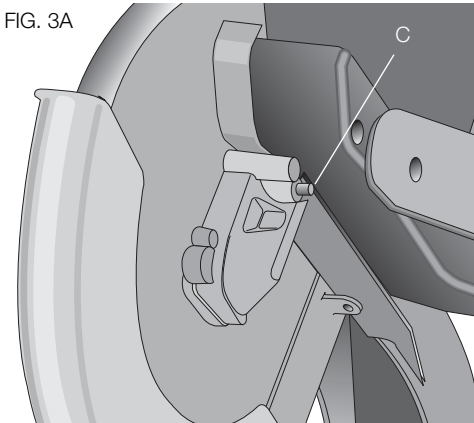
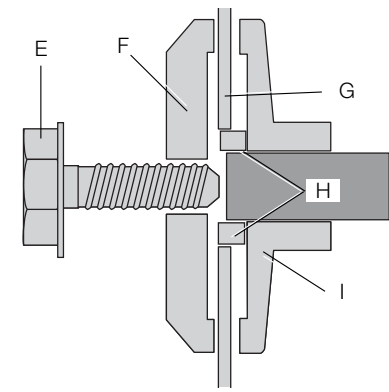


FIG. 3B



## Installing a Blade

1. Unplug the saw.
2. With the arm raised, the lower guard held open and the guard bracket raised, place the blade on the spindle, onto the blade adapter [if using a blade with a 1" (25.4 mm) diameter blade hole] and against the inner blade clamp with the teeth at the bottom of the blade pointing toward the back of the saw.
3. Assemble the outer blade clamp onto the spindle.
4. Install the blade screw (E) and, engaging the spindle lock, tighten the screw firmly with wrench provided. (Turn counterclockwise, left-hand threads.)

**NOTE:** When using blades with a 5/8" (15.88 mm) diameter blade hole, the blade adapter will not be used and should be stored in a safe place for future use.

5. Return the guard bracket to its original position and firmly tighten the guard bracket screw (B) to hold bracket in place.

#### ⚠WARNING:

- The guard bracket must be returned to its original position and the screw tightened before activating the saw.
- Failure to do so may allow the guard to contact the spinning saw blade resulting in damage to the saw and severe personal injury.



## Transporting the Saw (Fig. 2, 4)

**⚠WARNING:** To reduce the risk of serious personal injury, ALWAYS lock the miter lock handle, bevel lock knob, fence adjustment knobs, and secure the arm down using the lock down pin before transporting saw.

In order to conveniently carry the miter saw from place to place, a carrying handle has been included on the top of the saw arm and hand indentations in the base, as shown in Figures 2, 4.

## Adjustments

**⚠WARNING:** To reduce the risk of injury, turn unit off and disconnect it from power source before installing and removing accessories, before adjusting or when making repairs. An accidental start-up can cause injury.

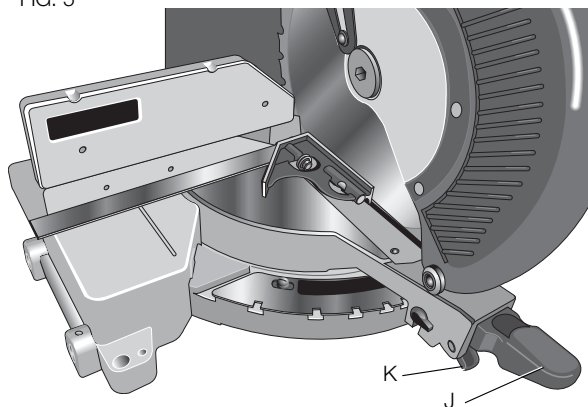
**NOTE:** Your miter saw is fully and accurately adjusted at the factory at the time of manufacture. If readjustment due to shipping and handling or any other reason is required, follow the steps below to adjust your saw.

Once made, these adjustments should remain accurate. Take a little time now to follow these directions carefully to maintain the accuracy of which your saw is capable.

### MITER SCALE ADJUSTMENT (FIG. 5)

Place a square against the saw's fence and blade. (Do not touch the tips of the blade teeth with the square. To do so will cause an inaccurate measurement.) Unlock miter lock lever (J) and swing the miter arm until the miter latch locks it at the 0° miter position. Do not lock miter lock lever (J). If the saw blade is not exactly perpendicular to the fence, loosen the three screws that hold the miter scale to the base and move the scale left or right until the blade is perpendicular to the fence, as measured with the square. Retighten the three screws. Pay no attention to the reading of the miter pointer at this time.

FIG. 5



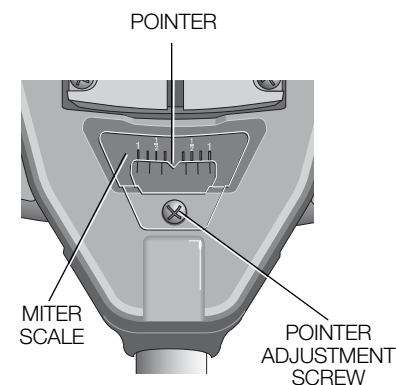
### MITER POINTER ADJUSTMENT (FIG. 5, 6)

To unlock, lift the miter lock lever (J) up and squeeze the miter latch (K) to move the miter arm to the zero position. With the miter lock lever unlocked allow the miter latch to snap into place as you rotate the miter arm to zero. Observe the pointer and miter scale through the viewing opening shown in Figure 6. If the pointer does not indicate exactly zero, loosen the screw holding the pointer in place, reposition the pointer and tighten the screw.

FIG. 4



FIG. 6



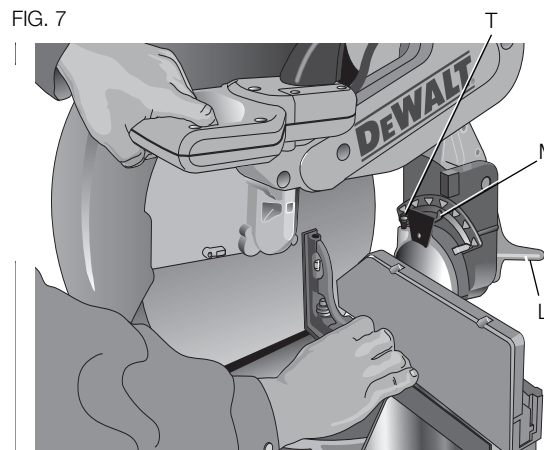
### BEVEL SQUARE TO TABLE (FIG. 7)

To align the blade square to the rotary table, lock the arm in the down position. Place a square against the blade taking care to not have the square on top of a tooth. Loosen the bevel lock knob (L) and ensure the arm is firmly against the 0° bevel stop. Move the 0° bevel stop adjusting screw (T) as necessary so that the blade is at 0° bevel to the table.

### BEVEL POINTER (FIG. 7)

If the bevel pointer (M) does not indicate zero, loosen the screw that holds it in place and move the pointer as necessary. Do not remove the steel plate in front of the bevel pointer. This plate prevents wood resin from accumulating on the bevel scale during use.

FIG. 7



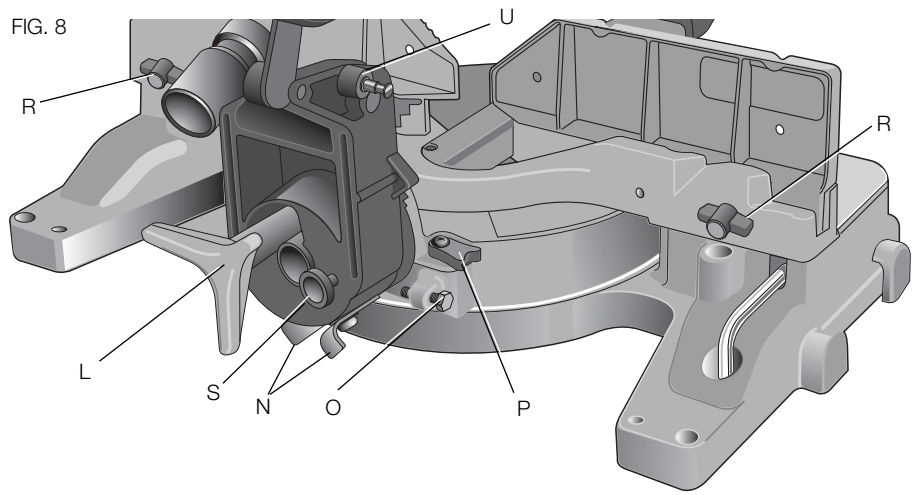
### ADJUSTING THE BEVEL STOP TO 45° LEFT OR RIGHT (FIG. 8)

**NOTE:** Adjust the 45° bevel angles only after performing the 0° bevel angle and pointer adjustment. Ensure the 45° bevel override levers (N) are pushed inward to obtain an accurate adjustment.

To adjust the right 45° bevel angle, loosen the bevel lock knob (L) and pull the bevel stop override knob (S) to override the 0° bevel stop. When the saw is fully to the right, if the pointer does not indicate exactly 45°, turn the right bevel stop screw (O) until the pointer indicates 45°.

To adjust the left 45° bevel stop, first loosen the bevel lock knob (L) and tilt the head to the left. If the pointer does not indicate exactly 45°, turn the left bevel stop screw until the pointer reads 45°.





**ADJUSTING THE BEVEL STOP TO 33.9° (FIG. 8)**

**NOTE:** Adjust the 33.9° bevel angles only after performing the 0° bevel angle and pointer adjustment.

To set the 33.9° bevel angle, flip out the stop pawls (P). Loosen the bevel lock knob (L) and tilt the head to the left. If the pointer does not indicate exactly 33.9°, turn the screw contacting the pawl until the pointer reads 33.9°.

To adjust the right 33.9° bevel angle, flip out the stop pawl. Loosen the bevel lock knob (L) and pull the bevel stop override button (S) to override the 0° bevel stop. When the saw is fully to the right, if the pointer does not indicate exactly 33.9°, turn the screw contacting the pawl until the pointer indicates 33.9°.

**FENCE ADJUSTMENT (FIG. 8)**

In order that the saw can bevel to a full 48° left or right, the fences can be adjusted to provide clearance. To adjust a fence, loosen the plastic knob (Figure 8, R), and slide the fence outward. Make a dry run with the saw turned off and check for clearance. Adjust the fence to be as close to the blade as practical to provide maximum workpiece support, without interfering with arm up and down movement. Tighten knob securely. When the bevel operations are complete, don't forget to relocate the fence.

**NOTE:** The guide groove of the fences can become clogged with sawdust. If the guide groove becomes clogged, use a stick, low pressure air or a vacuum to clear.

**AUTOMATIC ELECTRIC BRAKE (FIG. 2)**

Your saw is equipped with an automatic electric blade brake which stops the saw blade within 5 seconds of trigger release. This is not adjustable.

On occasion, there may be a delay after trigger release to brake engagement. On rare occasions, the brake may not engage at all and the blade will coast to a stop.

If a delay or "skipping" occurs, turn the saw on and off 4 or 5 times. If the condition persists, have the tool serviced by an authorized DEWALT service center.

Always be sure the blade has stopped before removing it from the kerf plate. The brake is not a substitute for guards. Ensure your own safety by giving the saw your complete attention.

**GUARD ACTUATION AND VISIBILITY**

**⚠CAUTION:** Pinch Hazard. To reduce the risk of injury, keep thumb underneath the handle when pulling the handle down. The lower guard will move up as the handle is pulled down which could cause pinching.

The blade guard on your saw has been designed to automatically raise when the arm is brought down and to lower over the blade when the arm is raised.

The guard can be raised by hand when installing or removing saw blades or for inspection of the saw. NEVER RAISE THE BLADE GUARD MANUALLY UNLESS THE SAW IS TURNED OFF.

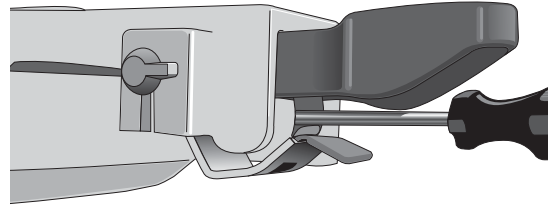
**NOTE:** Certain special cuts of large material will require that you manually raise the guard. Refer to **Cutting Large Material** under **Special Cuts**.

The front section of the guard is louvered for visibility while cutting. Although the louvers dramatically reduce flying debris, they are openings in the guard and safety glasses should be worn at all times when viewing through the louvers.

**MITER LOCK ADJUSTMENT (FIG. 9)**

The miter lock rod should be adjusted if the table of the saw can be moved when the miter lock handle is locked down. To adjust, put the miter lock handle in the up position. Using a slotted screwdriver, adjust the lock rod in 1/8 clockwise turn increments to increase the lock force. To ensure the miter lock is functioning properly, re-lock miter lock handle to a non-detent miter angle.

FIG. 9



**Brushes (Fig. 2)**

Inspect carbon brushes regularly by unplugging the tool, removing the motor end cap (Fig. 2) and removing the brush cap that holds the spring-loaded brush assembly. Keep brushes clean and sliding freely in their guides. Always replace a used brush in the same orientation in the holder as it was prior to its removal. If the brush is worn down to approximately 1/2" (12.7 mm), the spring will no longer exert pressure and they must be replaced. Use only identical DEWALT brushes. Use of the correct grade of brush is essential for proper operation of electric brake. New brush assemblies are available at DEWALT service centers. The tool should be allowed to "run in" (run at no load) for 10 minutes before use to seat new brushes. The electric brake may be erratic in operation until the brushes are properly seated (worn in). Always replace the brush inspection cap after inspection or servicing the brushes.

While "running in" DO NOT TIE, TAPE, OR OTHERWISE LOCK THE TRIGGER SWITCH ON. HOLD BY HAND ONLY.

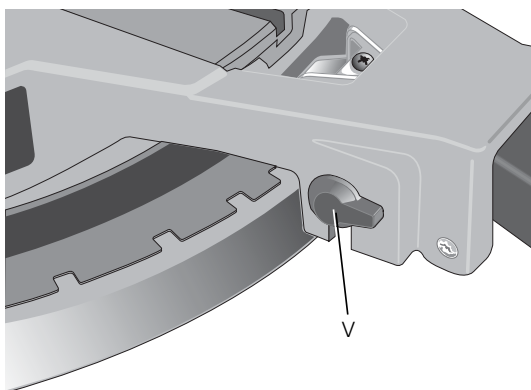
**Controls**

Your compound miter saw has several main controls, which will be discussed briefly here. For more information on these controls, see the respective sections later in the manual.

**MITER CONTROL (FIG. 5, 10)**

The miter lock lever (J) and miter latch (K) allows you to miter your saw 50° left and right. To miter the saw, unlock miter lock lever (J) by pulling upward, squeeze the detent trigger (K) and set the miter angle desired on the miter scale. Lock miter lock handle by pressing downward. Override the detent trigger by rotating knob (Fig. 10, V).

FIG. 10



### TRIGGER SWITCH (FIG. 2)

The trigger switch turns your saw on and off. A hole is provided in the trigger for insertion of a padlock to secure the saw.

### USE OF XPS™ LED WORKLIGHT SYSTEM (FIG. 2) DW716XPS ONLY

**NOTE:** The miter saw must be connected to a power source.

The XPS™ LED Worklight System is equipped with an ON/OFF switch (Fig. 2). The XPS™ LED Worklight System is independent of the miter saw's trigger switch.

The light does not need to be on in order to operate the saw. To cut through an existing pencil line on a piece of wood, turn on the XPS™ system, then pull down on the operating handle to bring the saw blade close to the wood. The shadow of the blade will appear on the wood. This shadow line represents the material that the blade will remove when performing a cut. To correctly locate your cut to the pencil line, align the pencil line with the edge of the blade's shadow. Keep in mind that you may have to adjust the miter or bevel angles in order to match the pencil line exactly.

### BEVEL LOCK (FIG. 7, 8)

The bevel lock knob (L) allows you to bevel the saw 48° left or right. To loosen the handle and adjust the bevel setting, turn the handle counterclockwise, the saw head bevels easily to the left or to the right once the 0° bevel override knob (S) is pulled. To tighten, turn the handle clockwise. Bevel degree markings are on the bottom front of the saw arm (Fig. 7, M).

### 0° BEVEL OVERRIDE (FIG. 8)

The bevel stop override (S) allows you to bevel the saw to the right past the 0° mark.

The saw will automatically stop at 0° when brought up from the left. To move past 0° to the right, pull the bevel stop knob. The stop knob can be locked out by pulling the knob out and rotating it 180°.

### 45° BEVEL STOP OVERRIDES (FIG. 8)

The bevel stop overrides (N) are held secure with their attachment screw to prevent inadvertent movement. Use the bit on the blade wrench to loosen the attachment screw. This allows the slides, to be pulled outward and the saw head to pivot past the 45° mark. Be sure to retighten the attachment screw when finished.

### 33.9° BEVEL STOPS (FIG. 8)

The two pawls (P) are used to stop the saw head bevel setting at 33.9°. This setting is used primarily for cutting crown moldings laid flat on the table.

### HEAD LOCK DOWN PIN (FIG. 8)

**⚠ WARNING:** The lock down pin should be used **ONLY** when carrying or storing the saw. **NEVER** use the lock down pin for any cutting operation.

To lock the saw head in the down position, push the head down, push the pin (U) in and release the saw head. This will hold the saw head safely down for moving the saw from place to place. To release, press the saw head down and pull the pin out.

## OPERATION

**⚠ WARNING:** To reduce the risk of injury, turn unit off and disconnect it from power source before installing and removing accessories, before adjusting or when making repairs. An accidental start-up can cause injury.

**⚠ WARNING:** Always use eye protection. All users and bystanders must wear eye protection that conforms to ANSI Z87.1 (CAN/CSA Z94.3).

Plug the saw into any household 60 Hz power source. Refer to the nameplate for voltage. Be sure the cord will not interfere with your work.

### SWITCH

To turn the saw on, depress the trigger switch. To turn the tool off, release the switch. Allow the blade to spin up to full operating rpm before making the cut. Release the trigger switch and allow the brake to stop the blade before raising the saw head. There is no provision for locking the switch on, but a hole is provided in the trigger for insertion of a padlock to lock the saw off.

### CUTTING WITH YOUR SAW

**NOTE:** Although this saw will cut wood and many non-ferrous materials, we will limit our discussion to the cutting of wood only. The same guidelines apply to the other materials. **DO NOT CUT FERROUS (IRON AND STEEL) MATERIALS OR MASONRY WITH THIS SAW.** Do not use any abrasive blades.

### CROSSCUTS

Cutting of multiple pieces is not recommended but can be done safely by ensuring that each piece is held firmly

against the table and fence. A crosscut is made by cutting wood across the grain at any angle. A straight crosscut is made with the miter arm at the zero degree position. Set the miter arm at zero, hold the wood on the table and firmly against the fence. Turn on the saw by squeezing the trigger.

**⚠ CAUTION:** Always use a work clamp to maintain control and reduce the risk of workpiece damage and personal injury.

When the saw comes up to speed (about 1 second) lower the arm smoothly and slowly to cut through the wood. Let the blade come to a full stop before raising arm.

Miter crosscuts are made with the miter arm at some angle other than zero. This angle is often 45° for making corners, but can be set anywhere from zero to 50° left or right. After selecting the desired miter angle, be sure to lock miter lock lever. Make the cut as described above.

To cut through an existing pencil line on a piece of wood, match the angle as close as possible. Cut the wood a little too long and measure from the pencil line to the cut edge to determine which direction to adjust the miter angle and recut. This will take some practice, but it is a commonly used technique.

### BEVEL CUTS

A bevel cut is a crosscut made with the saw blade at a bevel to the wood. In order to set the bevel, loosen the bevel clamp knob and move the saw to the left as desired. (It is necessary to move the fence to allow clearance). Once the desired bevel angle has been set, tighten the bevel clamp knob firmly.

Bevel angles can be set from 48° right to 48° left and can be cut with the miter arm set between zero and 50° right or left. At some extreme angles, the right or left side fence might have to be removed. To remove the left or right fence, unscrew the knobs several turns and slide the fence out.

### QUALITY OF CUT

The smoothness of any cut depends on a number of variables. Things like material being cut, blade type, blade sharpness and rate of cut all contribute to the quality of the cut.

When smoothest cuts are desired for molding and other precision work, a sharp (60 tooth carbide) blade and a slower, even cutting rate will produce the desired results.

Ensure that material does not creep while cutting, clamp it securely in place. Always let the blade come to a full stop before raising arm.

If small fibers of wood still split out at the rear of the workpiece, stick a piece of masking tape on the wood where the cut will be made. Saw through the tape and carefully remove tape when finished.

For varied cutting applications, refer to the list of recommended saw blades for your saw and select the one that best fits your needs. Refer to **Saw Blades** under **Optional Accessories**.

**BODY AND HAND POSITION (FIG. 11)**

Proper positioning of your body and hands when operating the miter saw will make cutting easier, more accurate and safer. Never place hands near cutting area. Place hands no closer than 6" (152 mm) from the blade. Hold the workpiece tightly to the table and the fence when cutting. Keep hands in position until the trigger has been released and the blade has completely stopped. ALWAYS MAKE DRY RUNS (UNPOWERED) BEFORE FINISH CUTS SO THAT YOU CAN CHECK THE PATH OF THE BLADE. DO NOT CROSS ARMS, AS SHOWN IN FIGURE 11.

Keep both feet firmly on the floor and maintain proper balance. As you move the miter arm left and right, follow it and stand slightly to the side of the saw blade. Sight through the guard louvers when following a pencil line.

**CLAMPING THE WORKPIECE**

**⚠WARNING:** To reduce the risk of injury, turn unit off and disconnect it from power source before installing and removing accessories, before adjusting or when making repairs. An accidental start-up can cause injury.

**⚠WARNING:** A workpiece that is clamped, balanced and secure before a cut may become unbalanced after a cut is completed. An unbalanced load may tip the saw or anything the saw is attached to, such as a table or workbench. When making a cut that may become unbalanced, properly support the workpiece and ensure the saw is firmly bolted to a stable surface. Personal injury may occur.

**⚠WARNING:** The clamp foot must remain clamped above the base of the saw whenever the clamp is used. Always clamp the workpiece to the base of the saw—not to any other part of the work area. Ensure the clamp foot is not clamped on the edge of the base of the saw.

**⚠CAUTION:** Always use a work clamp to maintain control and reduce the risk of workpiece damage and personal injury.

If you cannot secure the workpiece on the table and against the fence by hand, (irregular shape, etc.) or your hand would be less than 6" (152 mm) from the blade, a clamp or other fixture must be used.

For best results use the DW7082 clamp made for use with your saw. It is available for purchase at your local retailer or DEWALT service center.

Other aids such as spring clamps, bar clamps or C-clamps may be appropriate for certain sizes and shapes of material. Use care in selecting and placing these clamps. Take time to make a dry run before making the cut. The left or right fence will slide from side to side to aid in clamping.

**TO INSTALL CLAMP (SOLD SEPARATELY)**

1. Insert it into the hole behind the fence. The clamp should be facing toward the back of the miter saw. The groove on the clamp rod should be fully inserted into the base. Ensure this groove is fully inserted into the base of the miter saw. If the groove is visible, the clamp will not be secure.
2. Rotate the clamp 180° toward the front of the miter saw.
3. Loosen the knob to adjust the clamp up or down, then use the fine adjust knob to firmly clamp the workpiece.

**NOTE:** Place the clamp on the opposite side of the base when beveling. ALWAYS MAKE DRY RUNS (UNPOWERED) BEFORE FINISH CUTS TO CHECK THE PATH OF THE BLADE. ENSURE THE CLAMP DOES NOT INTERFERE WITH THE ACTION OF THE SAW OR GUARDS.

**SUPPORT FOR LONG PIECES**

ALWAYS SUPPORT LONG PIECES.

Never use another person as a substitute for a table extension; as additional support for a workpiece that is longer or wider than the basic miter saw table or to help feed, support or pull the workpiece.

For best results, use the DW7080 extension work support or the DWX723, DWX724 or DWX725B miter saw stand to extend the table width of your saw. These are available from your dealer at extra cost.

FIG. 11

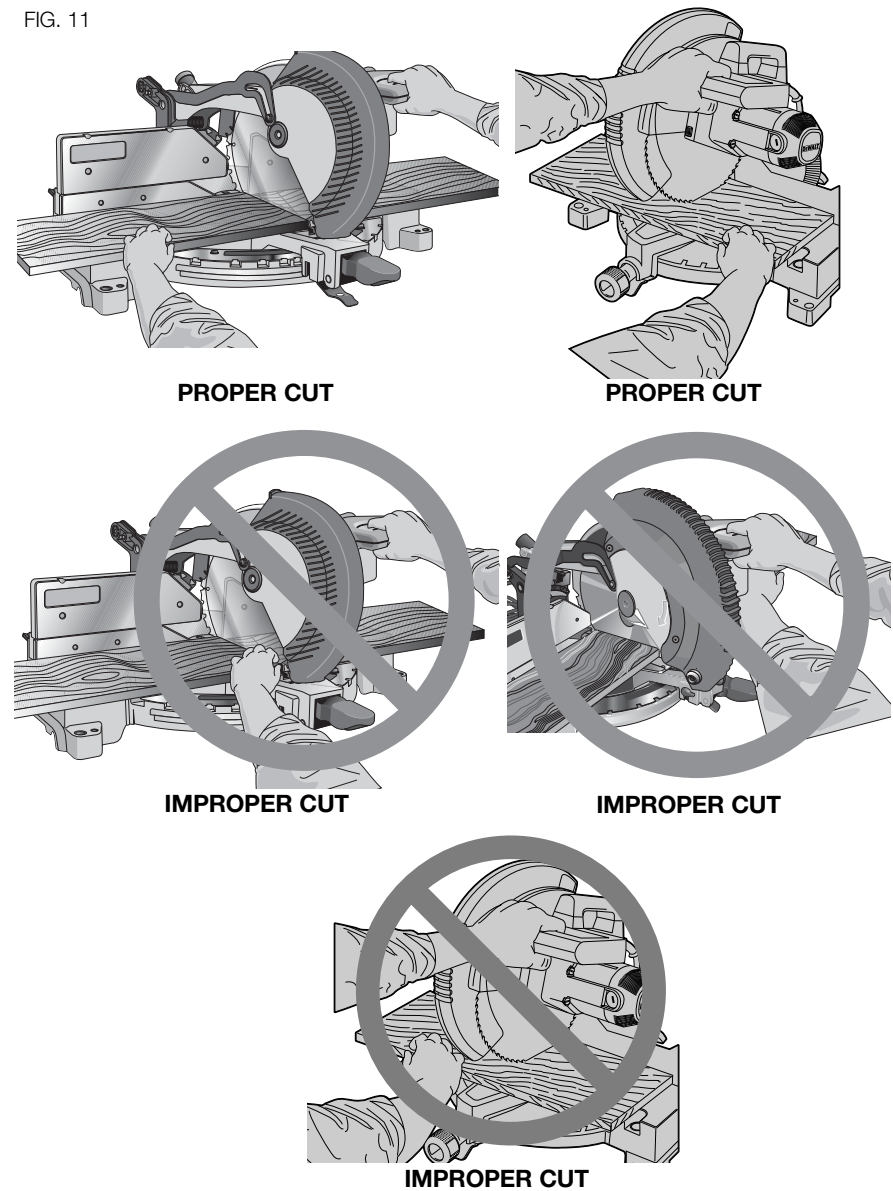
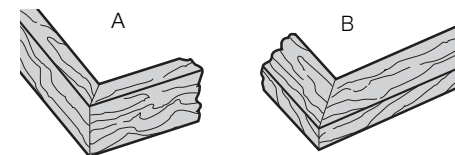


FIG. 12





Support long workpieces using any convenient means such as sawhorses or similar devices to keep the ends from dropping.

### CUTTING PICTURE FRAMES, SHADOW BOXES AND OTHER FOUR-SIDED PROJECTS

To best understand how to make the items listed here, we suggest that you try a few simple projects using scrap wood until you develop a "FEEL" for your saw.

Your saw is the perfect tool for mitering corners like the one shown in Figure 13. Sketch A in Figure 12 shows a joint made by using the bevel adjustment to bevel the edges of the two boards at 45° each to produce a 90° corner. For this joint the miter arm was locked in the zero position and the bevel adjustment was locked at 45°. The wood was positioned with the broad flat side against the table and the narrow edge against the fence. The cut could also be made by mitering right and left with the broad surface against the fence.

FIG. 13

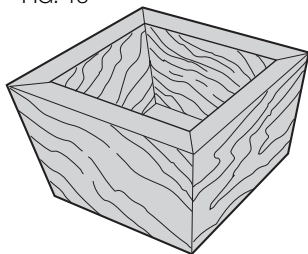
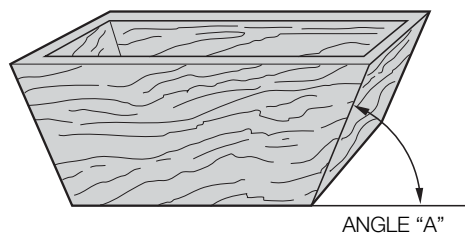


FIG. 14



### CUTTING TRIM MOLDING AND OTHER FRAMES

Sketch B in Figure 12 shows a joint made by setting the miter arm at 45° to miter the two boards to form a 90° corner. To make this type of joint, set the bevel adjustment to zero and the miter arm to 45°. Once again, position the wood with the broad flat side on the table and the narrow edge against the fence.

The two sketches in Figure 12 are for four side objects only.

As the number of sides changes, so do the miter and bevel angles. The chart below gives the proper angles for a variety of shapes.

- EXAMPLES -	
NO. SIDES	ANGLE MITER OR BEVEL
4	45°
5	36°
6	30°
7	25.7°
8	22.5°
9	20°
10	18°

(The chart assumes that all sides are of equal length.) For a shape that is not shown in the chart, use the following formula. 180° divided by the number of sides equals the miter (if the material is cut vertically) or bevel angle (if the material is cut laying flat).

### CUTTING COMPOUND MITERS

A compound miter is a cut made using a miter angle and a bevel angle at the same time. This is the type of cut used to make frames or boxes with slanting sides like the one shown in Figure 14.

**NOTE:** If the cutting angle varies from cut to cut, check that the bevel clamp knob and the miter lock knob are securely tightened. These knobs must be tightened after making any changes in bevel or miter.

The chart (Table 1) will assist you in selecting the proper bevel and miter settings for common compound miter cuts. To use the chart, select the desired angle "A" (Figure 14) of your project and locate that angle on the appropriate arc in the chart. From that point follow the chart straight down to find the correct bevel angle and straight across to find the correct miter angle. Set your saw to the prescribed angles and make a few trial cuts. Practice fitting the cut pieces together until you develop a feel for this procedure and feel comfortable with it.

**Example:** To make a four-sided box with 26° exterior angles (Angle A, Figure 14), use the upper right arc. Find 26° on the arc scale. Follow the horizontal intersecting line to either side to get miter angle setting on saw (42°). Likewise, follow the vertical intersecting line to the top or bottom to get the bevel angle setting on the saw (18°). Always try cuts on a few scrap pieces of wood to verify settings on saw.

### VERNIER SCALE

Your saw is equipped with a vernier scale for added precision. The vernier scale allows you to accurately set miter angles to the nearest 1/4°. To use the vernier scale follow the steps listed below.

(As an example, let's assume that the angle you want to miter is 24-1/4° right).

1. Turn off miter saw.
2. Set the miter angle to the nearest whole degree desired by aligning the center mark in the vernier scale, shown in Figure 15, with the whole degree number etched in the miter scale. Examine Figure 16 closely; the setting shown is 24° right miter.

FIG. 15

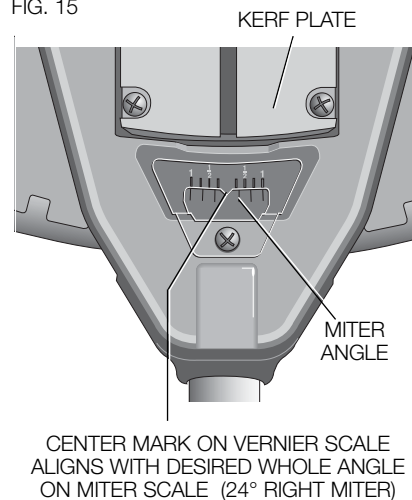
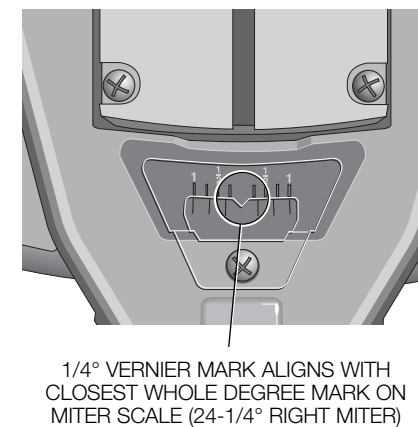


FIG. 16



3. To set the additional 1/4°, squeeze the miter arm lock and carefully move the arm to the RIGHT until the 1/4° vernier mark aligns with the CLOSEST degree mark on the miter scale. In our example, the closest degree mark on the miter scale happens to be 25°. Figure 16 shows a setting of 24-1/4° right miter.

For settings that require partial degrees (1/4, 1/2, 3/4°) align the desired vernier mark with the CLOSEST degree mark on the miter scale, as described below (The plastic vernier plate is inscribed with marks for 1/4, 1/2, 3/4 and 1°. Only the 1/2° and the 1° are numerically labeled.)

### WHEN MITERING TO THE RIGHT

To increase the miter angle when mitering to the right, move the arm to align the appropriate vernier mark with the closest mark on the miter scale to the right. To decrease the miter

angle when mitering to the right, move the arm to align the appropriate vernier mark with the closest mark on the miter scale to the left.

#### WHEN MITERING TO THE LEFT

To increase the miter angle when mitering to the left, move the arm to align the appropriate vernier mark with the closest mark on the miter scale to the left. To decrease the miter angle when mitering to the left, move the arm to align the appropriate vernier mark with the closest mark on the miter scale to the right.

#### CUTTING BASE MOLDING

ALWAYS MAKE A DRY RUN WITHOUT POWER BEFORE MAKING ANY CUTS.

Straight 90° cuts:

Position the wood against the fence and hold it in place as shown in Figure 17. Turn on the saw, allow the blade to reach full speed and lower the arm smoothly through the cut.

#### CUTTING BASE MOLDING UP TO 6" (152 MM) VERTICALLY AGAINST THE FENCE

Position material as shown in Figure 17.

All cuts made with the back of the molding against the fence and bottom of the molding against the base.

##### INSIDE CORNER:

Left side

1. Miter left 45°

2. Save left side of cut

Right side

1. Miter Right 45°

2. Save right side of cut

##### OUTSIDE CORNER:

Left side

1. Miter right at 45°

2. Save left side of cut

Right side

1. Miter left at 45°

2. Save right side of cut

Material up to 6" (152 mm) can be cut as described above.

#### CUTTING CROWN MOLDING

Your miter saw is better suited to the task of cutting crown molding than any tool made. In order to fit properly, crown molding must be compound mitered with extreme accuracy.

The two flat surfaces on a given piece of crown molding are at angles that, when added together, equal exactly 90°. Most, but not all, crown molding has a top rear angle (the section that fits flat against the ceiling) of 52° and a bottom rear angle (the part that fits flat against the wall) of 38°.

Your miter saw has special pre-set miter latch points at 31.62° left and right for cutting crown molding at the proper angle and bevel stop pawls at 33.9° left and right. There is also a mark on the bevel scale at 33.9°.

The **Bevel Setting/Type of Cut** chart gives the proper settings for cutting crown molding. (The numbers for the miter and bevel settings are very precise and are not easy to accurately set on your saw.) Since most rooms do not

have angles of precisely 90°, you will have to fine tune your settings anyway.

#### PRETESTING WITH SCRAP MATERIAL IS EXTREMELY IMPORTANT!

#### INSTRUCTIONS FOR CUTTING CROWN MOLDING LAYING FLAT AND USING THE COMPOUND FEATURES:

1. Molding laying with broad back surface down flat on saw table (Figure 18).
2. The settings below are for All Standard (U.S.) crown molding with 52° and 38° angles.

BEVEL SETTING	TYPE OF CUT
33.9° Left	LEFT SIDE, INSIDE CORNER 1. Top of molding against fence 2. Miter table set right 31.62° 3. Save left end of cut
33.9° Right	RIGHT SIDE, INSIDE CORNER 1. Top of molding against fence 2. Miter table set right 31.62° 3. Save right end of cut
33.9° Right	LEFT SIDE, OUTSIDE CORNER 1. Top of molding against fence 2. Miter table set at left 31.62° 3. Save left end of cut
33.9° Left	RIGHT SIDE, OUTSIDE CORNER 1. Top of molding against fence 2. Miter table set right 31.62° 3. Save right end of cut°

When setting bevel and miter angles for all compound miters, remember that:

The angles presented for crown moldings are very precise and difficult to set exactly. Since they can easily shift slightly and very few rooms have exactly square corners, all settings should be tested on scrap molding.

#### PRETESTING WITH SCRAP MATERIAL IS EXTREMELY IMPORTANT!

#### ALTERNATIVE METHOD FOR CUTTING CROWN MOLDING

Place the molding on the table at an angle between the fence and the saw table, as shown in Figure 18A. Use of the crown molding fence accessory (DW7084) is highly recommended because of its degree of accuracy and convenience. The crown molding fence accessory is available for purchase from your local dealer.

The advantage to cutting crown molding using this method is that no bevel cut is required. Minute changes in the miter angle can be made without affecting the bevel angle. This way, when corners other than 90° are encountered, the saw can be quickly and easily adjusted for them. Use the crown

FIG. 17

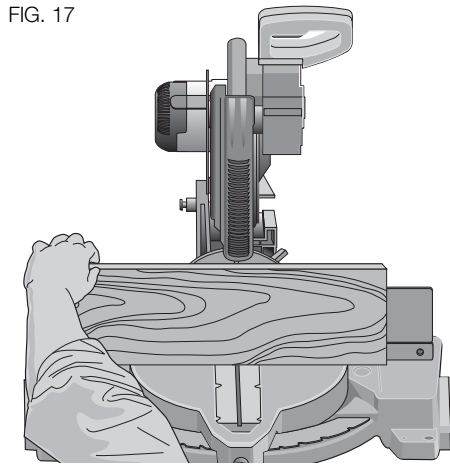


FIG. 18

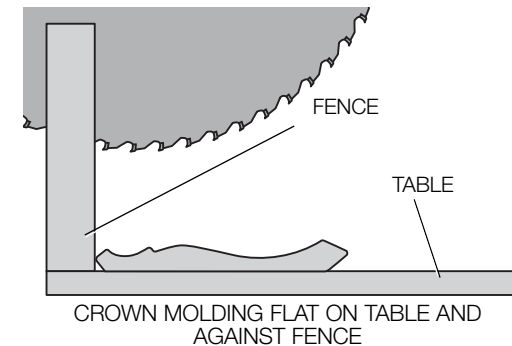
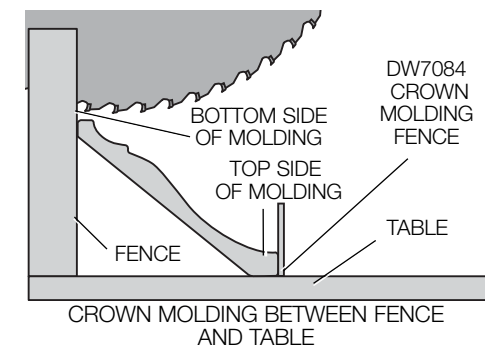


FIG. 18A





molding fence accessory to maintain the angle at which the molding will be on the wall.

**INSTRUCTIONS FOR CUTTING CROWN MOLDING ANGLED BETWEEN THE FENCE AND BASE OF THE SAW FOR ALL CUTS:**

1. Angle the molding so the bottom of the molding (part which goes against the wall when installed) is against the fence and the top of the molding is resting on the base of the saw, as shown in Figure 18A.
2. The angled "flats" on the back of the molding must rest squarely on the fence and base of the saw.

INSIDE CORNER:                      OUTSIDE CORNER:

- |                           |                           |
|---------------------------|---------------------------|
| Left side                 | Left side                 |
| 1. Miter right 45°        | 1. Miter left at 45°      |
| 2. Save right side of cut | 2. Save right side of cut |
| Right side                | Right side                |
| 1. Miter left 45°         | 1. Miter right at 45°     |
| 2. Save left side of cut  | 2. Save left side of cut  |

**Special Cuts**

**NEVER MAKE ANY CUT UNLESS THE MATERIAL IS SECURED ON THE TABLE AND AGAINST THE FENCE.**

**ALUMINUM CUTTING**

ALWAYS USE THE APPROPRIATE SAW BLADE MADE ESPECIALLY FOR CUTTING ALUMINUM. These are available at your local DEWALT retailer or DEWALT service center. Certain workpieces, due to their size, shape or surface finish, may require the use of a clamp or fixture to prevent movement during the cut. Position the material so that you will be cutting the thinnest cross section, as shown in Figure 19. Figure 19A illustrates the wrong way to cut these extrusions. Use a stick wax cutting lubricant when cutting aluminum. Apply the stick wax directly to the saw blade before cutting. Never apply stick wax to a moving blade.

The wax, available at most hardware stores and industrial mill supply houses, provides proper lubrication and keeps chips from adhering to the blade.

Be sure to properly secure workpiece.

Refer to **Saw Blades** under **Optional Accessories** for correct saw blade.

**BOWED MATERIAL**

When cutting bowed material always position it as shown in Figure 20 and never like that shown in Figure 20A. Positioning the material incorrectly will cause it to pinch the blade near the completion of the cut.

**CUTTING PLASTIC PIPE OR OTHER ROUND MATERIAL**

Plastic pipe can be easily cut with your saw. It should be cut just like wood and **CLAMPED OR HELD FIRMLY TO THE**

FIG. 19

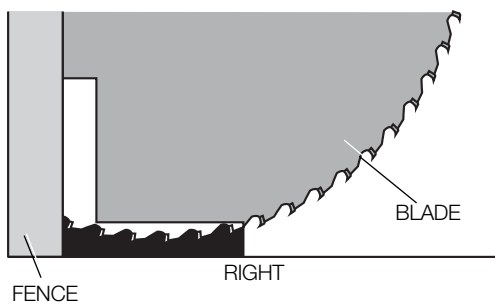


FIG. 19A

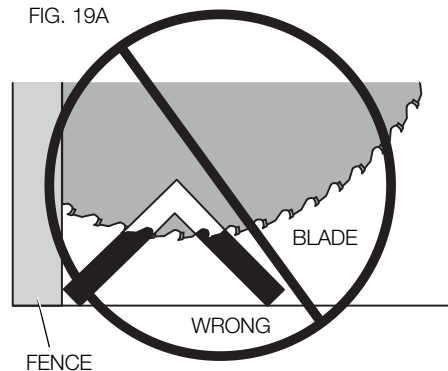


FIG. 20

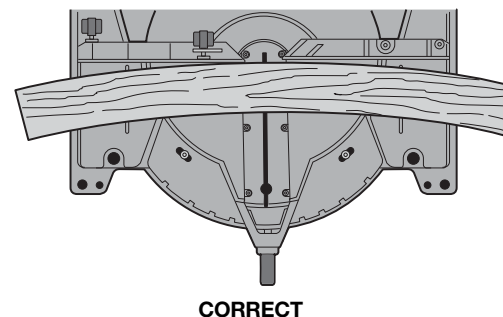
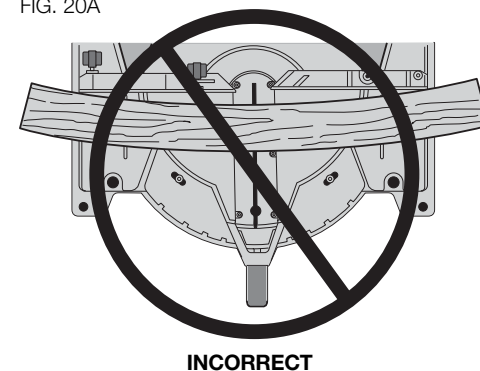


FIG. 20A



**FENCE TO KEEP IT FROM ROLLING.** This is extremely important when making angle cuts.

**CUTTING LARGE MATERIAL**

Occasionally you will encounter a piece of wood a little too large to fit beneath the blade guard. If this occurs, simply place your right thumb on the upper side of the guard and roll the guard up just enough to clear the workpiece, as shown in Figure 21. Release the lower blade guard before turning the saw on and beginning the cut. Avoid doing this as much as possible, but if need be, the saw will operate properly and make the bigger cut. NEVER TIE, TAPE, OR OTHERWISE HOLD THE GUARD OPEN WHEN OPERATING THIS SAW. NEVER RAISE THE LOWER GUARD ASSEMBLY MANUALLY UNLESS THE BLADE IS STOPPED.

**SPECIAL SET-UP FOR WIDE CROSSCUTS**

Your saw can cut very wide [up to 10" (406 mm)] workpieces when a special set up is used. To set the saw up for these workpieces, follow these steps:

1. Remove both left and right sliding fences from the saw and set aside. To remove them, unscrew the fence

- knobs several turns and slide each fence outward. Adjust and lock the miter control so that it is at 0° miter.
2. Make a platform using a piece of 1.5 inch (38 mm) thick particleboard or similar flat strong 1.5" (38 mm) thick wood to the dimensions: 10" x 24" (254 x 610 mm). The platform must be flat otherwise the material could move during cutting and cause injury.
3. Mount the 10" x 24" (254 x 610 mm) platform to the saw using 4 three-inch (76 mm) long wood screws through the holes in the base fence (Fig. 22). Four screws must be used to properly secure the material. When the special set up is used, the platform will be cut into two pieces. Ensure the screws are tightened properly otherwise material could loosen and cause injury. Ensure the platform is firmly flat on the table, against the fence, and centered evenly from left to right.

**▲WARNING:** Ensure the saw is mounted firmly to a stable flat surface. Failure to do so could cause the saw to be unstable and fall causing personal injury.

- Place the workpiece to be cut on top of the platform mounted to the table. Ensure the workpiece is firmly against the backfence (Fig. 22).
- Secure the material before cutting. Cut slowly through the material. Failure to clamp securely or cut slowly could result in the material coming loose and causing injury.

After several cuts are made at various miter angles other than 0°, the platform may weaken and not properly support the work. Install a new, unused platform to the saw after presetting the desired miter angle.

**▲CAUTION:** Continued use of a platform with several kerfs may cause loss of material control and possible injury.

### Removing and Replacing Belt

The belt is designed to last the life of the tool. However, abuse of the tool could cause the belt to fail.

If the blade does not turn when the motor is running, the belt has failed. To inspect or replace the belt, remove the belt cover screws. Remove the belt cover. Inspect the ribs of the belt for wear or failure. Check belt tension by squeezing the belt as shown in Figure 23. The belt halves should almost touch when squeezing firmly with the thumb and index finger. To adjust the tension, loosen, but do not remove, the four Phillips head screws shown. Then rotate the set screw on the top of the motor plate casting until the proper tension is achieved. Tighten the four screws securely and replace the belt cover.

**NOTE:** Over tightening the belt will cause premature motor failure.

### MAINTENANCE

**▲WARNING:** To reduce the risk of injury, turn unit off and disconnect it from power source before installing and removing accessories, before adjusting or when making repairs. An accidental start-up can cause injury.

DO NOT use lubricants or cleaners (particularly spray or aerosol) in the vicinity of the plastic guard. The polycarbonate material used in the guard is subject to attack by certain chemicals.

- All bearings are sealed. They are lubricated for life and need no further maintenance.
- Periodically clean all dust and wood chips from around AND UNDER the base and the rotary table. Even though slots are provided to allow debris to pass through, some dust will accumulate.
- The brushes are designed to give you several years of use. If they ever need replacement follow the instructions under **Brushes** or return the tool to the nearest service center for repair.

FIG. 21

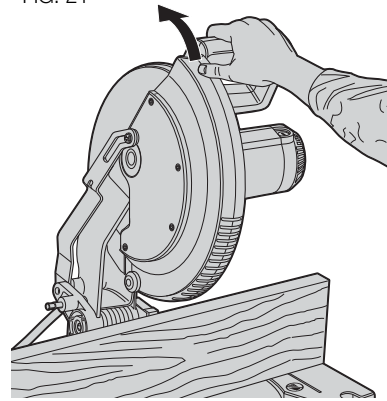


FIG. 22

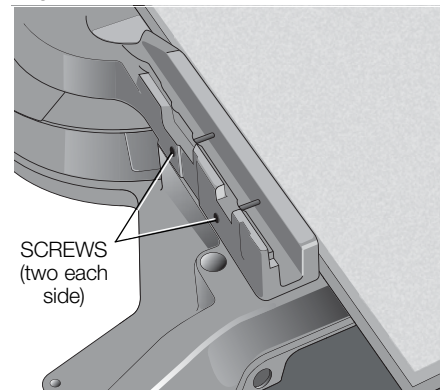
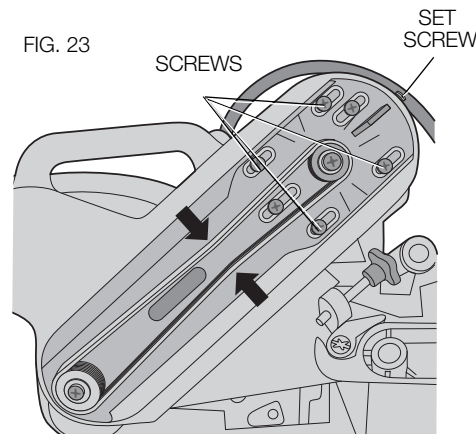


FIG. 23



### Worklight Cleaning

For the best worklight performance, perform the following maintenance regularly.

- Carefully clean sawdust and debris from worklight lens with a cotton swab.
- DO NOT use solvents of any kind, they may damage the lens.
- Dust build-up can block the worklight and prevent it from accurately indicating the line of cut.
- Follow miter saw's instruction manual to remove and install blade.
- With blade removed from saw, clean pitch and build-up from blade. Pitch and debris can interfere with the worklight and prevent it from accurately indicating the line of cut.

### Service Information

Please have the following information available for all service calls:

Model Number \_\_\_\_\_ Type \_\_\_\_\_  
 Serial Number \_\_\_\_\_  
 Date and Place of Purchase \_\_\_\_\_

### Repairs

To assure product SAFETY and RELIABILITY, repairs, maintenance and adjustment (including brush inspection and replacement) should be performed by authorized service centers or other qualified service organizations, always using identical replacement parts.

### Register Online

Thank you for your purchase. Register your product now for:

- WARRANTY SERVICE:** Registering your product will help you obtain more efficient warranty service in case there is a problem with your product.
- CONFIRMATION OF OWNERSHIP:** In case of an insurance loss, such as fire, flood or theft, your registration of ownership will serve as your proof of purchase.
- FOR YOUR SAFETY:** Registering your product will allow us to contact you in the unlikely event a safety notification is required under the Federal Consumer Safety Act.

Register online at [www.dewalt.com/register](http://www.dewalt.com/register).

### Three Year Limited Warranty

DEWALT will repair, without charge, any defects due to faulty materials or workmanship for three years from the date of purchase. This warranty does not cover part failure due to normal wear or tool abuse. For further detail of warranty coverage and warranty repair information, visit [www.dewalt.com](http://www.dewalt.com) or call 1-800-4-DEWALT (1-800-433-9258). This warranty does not apply to accessories or damage caused where repairs have been made or attempted by others. This

warranty gives you specific legal rights and you may have other rights which vary in certain states or provinces.

In addition to the warranty, DEWALT tools are covered by our:

### 1 YEAR FREE SERVICE

DEWALT will maintain the tool and replace worn parts caused by normal use, for free, any time during the first year after purchase.

### 90 DAY MONEY BACK GUARANTEE

If you are not completely satisfied with the performance of your DEWALT Power Tool, Laser, or Nailer for any reason, you can return it within 90 days from the date of purchase with a receipt for a full refund – no questions asked.

**LATIN AMERICA:** This warranty does not apply to products sold in Latin America. For products sold in Latin America, see country specific warranty information contained in the packaging, call the local company or see website for warranty information.

**FREE WARNING LABEL REPLACEMENT:** If your warning labels become illegible or are missing, call 1-800-4-DEWALT (1-800-433-9258) for a free replacement.

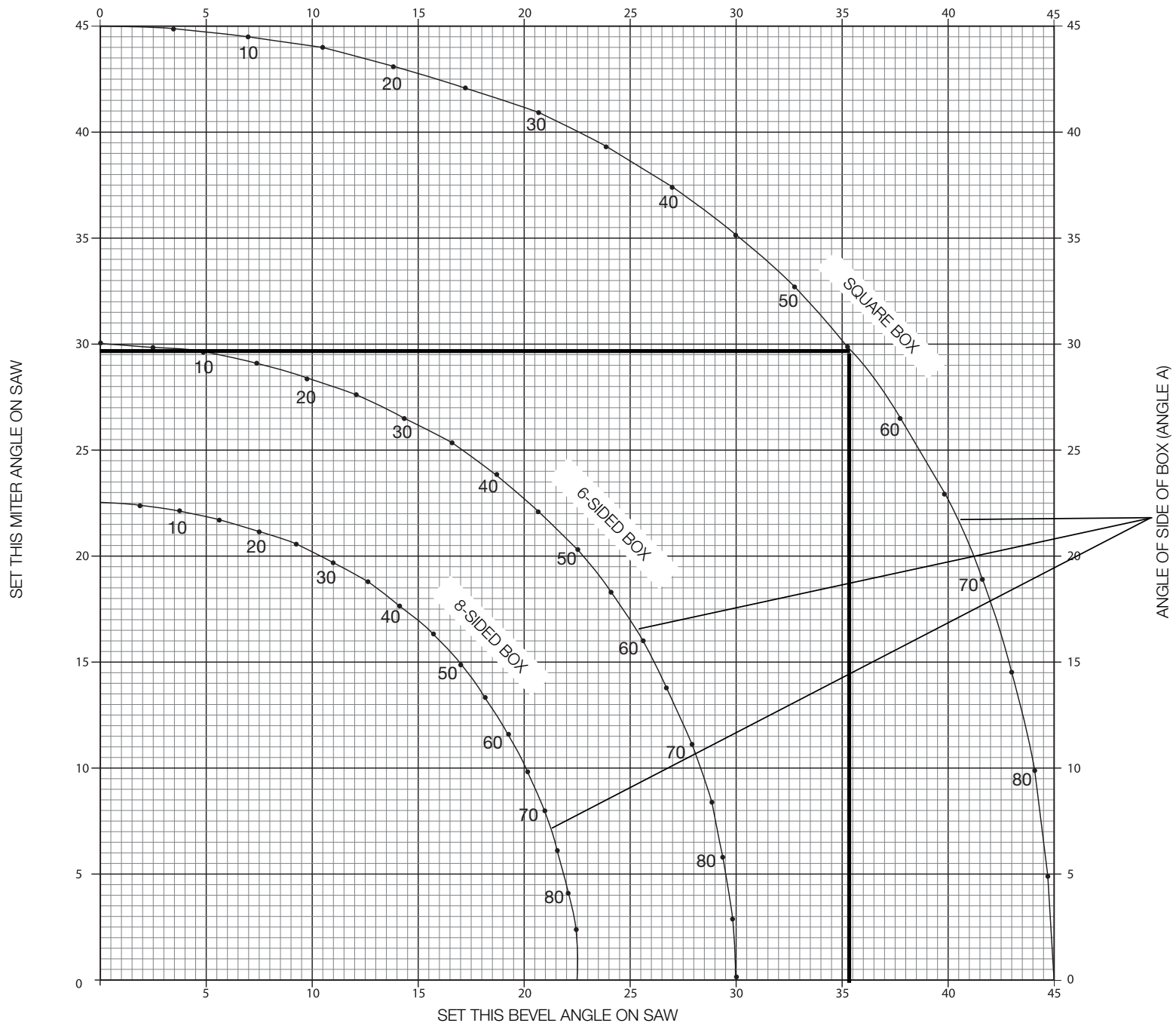
Please refer to the beginning of the manual for labels.

## Troubleshooting Guide

### BE SURE TO FOLLOW SAFETY RULES AND INSTRUCTIONS

TROUBLE!	WHAT'S WRONG?	WHAT TO DO
<b>Saw will not start</b>	<ol style="list-style-type: none"> <li>1. Saw not plugged in</li> <li>2. Fuse blown or circuit breaker tripped</li> <li>3. Cord damaged</li> <li>4. Brushes worn out</li> </ol>	<ol style="list-style-type: none"> <li>1. Plug in saw.</li> <li>2. Replace fuse or reset circuit breaker.</li> <li>3. Have cord replaced by authorized service center.</li> <li>4. Have brushes replaced by authorized service center or replace them yourself. Refer to <b>Brushes</b>.</li> </ol>
<b>Saw makes unsatisfactory cuts</b>	<ol style="list-style-type: none"> <li>1. Dull blade</li> <li>2. Blade mounted backwards</li> <li>3. Gum or pitch on blade</li> <li>4. Incorrect blade for work being done</li> </ol>	<ol style="list-style-type: none"> <li>1. Replace blade. Refer to <b>Changing or Installing a New Saw Blade</b>.</li> <li>2. Turn blade around. Refer to <b>Changing or Installing a New Saw Blade</b>.</li> <li>3. Remove blade and clean with turpentine and coarse steel wool or household oven cleaner.</li> <li>4. Change the blade type. Refer to <b>Saw Blades</b> under <b>Accessories</b>.</li> </ol>
<b>Blade does not come up to speed</b>	<ol style="list-style-type: none"> <li>1. Extension cord too light or too long</li> <li>2. Low house current</li> </ol>	<ol style="list-style-type: none"> <li>1. Replace with adequate size cord. Refer to <b>Use Proper Extension Cord</b> under <b>Important Safety Instructions</b>.</li> <li>2. Contact your electric company.</li> </ol>
<b>Machine vibrates excessively</b>	<ol style="list-style-type: none"> <li>1. Saw not mounted securely to stand or work bench</li> <li>2. Stand or bench on uneven floor</li> <li>3. Damaged saw blade</li> </ol>	<ol style="list-style-type: none"> <li>1. Tighten all mounting hardware. Refer to <b>Bench Mounting</b>.</li> <li>2. Reposition on flat level surface. Refer to <b>Familiarization</b>.</li> <li>3. Replace blade. Refer to <b>Changing or Installing a New Saw Blade</b>.</li> </ol>
<b>Does not make accurate miter cuts</b>	<ol style="list-style-type: none"> <li>1. Miter scale not adjusted correctly</li> <li>2. Miter pointer not adjusted correctly</li> <li>3. Workpiece is not perpendicular to table</li> <li>4. Workpiece moving</li> </ol>	<ol style="list-style-type: none"> <li>1. Check and adjust. Refer to <b>Miter Scale Adjustment</b> under <b>Adjustments</b>.</li> <li>2. Check and adjust. Refer to <b>Miter Pointer Adjustment</b> under <b>Adjustments</b>.</li> <li>3. Check and adjust fence. Refer to <b>Fence Adjustment</b> under <b>Adjustments</b>.</li> <li>4. Clamp workpiece securely to fence or glue 120 grit sandpaper to fence with rubber cement.</li> </ol>
<b>Material pinches blade</b>	<ol style="list-style-type: none"> <li>1. Cutting bowed material</li> </ol>	<ol style="list-style-type: none"> <li>1. Refer to <b>Bowed Material</b> under <b>Special Cuts</b>.</li> </ol>

**TABLE 1: COMPOUND MITER CUT**  
 (POSITION WOOD WITH BROAD FLAT SIDE ON THE TABLE AND THE NARROW EDGE AGAINST THE FENCE)



## Définitions : Lignes directrices en matière de sécurité

Les définitions ci-dessous décrivent le niveau de danger pour chaque mot-indicateur employé. Lire le mode d'emploi et porter une attention particulière à ces symboles.

**⚠ DANGER :** Indique une situation dangereuse imminente qui, si elle n'est pas évitée, causera la mort ou des blessures graves.

**⚠ AVERTISSEMENT :** Indique une situation potentiellement dangereuse qui, si elle n'est pas évitée, pourrait causer la mort ou des blessures graves.

**⚠ ATTENTION :** Indique une situation potentiellement dangereuse qui, si elle n'est pas évitée, peut causer des blessures mineures ou modérées.

**AVIS :** Indique une pratique ne posant aucun risque de dommages corporels mais qui par contre, si rien n'est fait pour l'éviter, pourrait poser des risques de dommages matériels.

POUR TOUTE QUESTION OU REMARQUE AU SUJET DE CET OUTIL OU DE TOUT AUTRE OUTIL DEWALT, COMPOSEZ LE NUMÉRO SANS FRAIS : 1-800-4-DEWALT (1-800-433-9258).

## DIRECTIVES DE SÉCURITÉ IMPORTANTES

**⚠ AVERTISSEMENT :** Si des outils électriques sont utilisés, des précautions de base en matière de sécurité doivent être suivies afin de réduire le risque d'incendie, de choc électrique et de blessure corporelle, notamment les suivantes :

### CONSERVER TOUS LES AVERTISSEMENTS ET TOUTES LES DIRECTIVES POUR UN USAGE ULTÉRIEUR

#### Double isolation

Afin de protéger l'utilisateur contre les décharges électriques, les outils à double isolation sont complètement recouverts de deux couches distinctes d'isolant électrique ou d'une simple épaisseur renforcée de matière isolante. Les outils comportant ce système d'isolation ne sont pas conçus pour être mis à la terre. L'outil est donc doté d'une prise à deux broches qui permet d'utiliser des rallonges sans avoir à se soucier de maintenir une connexion à la terre.

**REMARQUE :** le fait que cet outil soit muni d'une double isolation ne signifie pas que l'utilisateur peut cesser de respecter les consignes de sécurité qui s'imposent. L'isolation secondaire offre une protection contre tout dommage corporel pouvant résulter d'une défaillance électrique possible du système primaire d'isolation interne.

**⚠ ATTENTION :** EN CAS DE RÉPARATION, UTILISER UNIQUEMENT DES PIÈCES DE RECHANGE IDENTIQUES. Réparer ou remplacer les cordons endommagés.

#### Fiches polarisées

Certains appareils comportent des fiches polarisées (c'est-à-dire qu'une lame est plus large que l'autre) afin de réduire le risque de choc électrique. Lorsqu'elle est présente, cette fiche ne se branche que d'une seule façon dans une prise de courant polarisée. Si la fiche ne s'insère pas totalement dans la prise de courant, l'inverser. Si elle ne s'insère toujours pas dans la prise, demander à un électricien compétent d'installer une fiche polarisée. Ne pas remplacer la fiche.

#### Consignes de sécurité pour tous les outils

**⚠ AVERTISSEMENT :** TOUJOURS utiliser une protection oculaire lors de l'utilisation de la scie à onglets pour réduire le risque de blessures aux yeux.

- **MAINTENIR LE PROTÈGE-LAME EN PLACE** et en état de fonctionnement.

- **RETIRER LES CLÉS À MOLETTE ET LES CLÉS DE RÉGLAGE.** S'habituer à vérifier si les clés à molette et les clés de réglage sont retirées de la broche avant de mettre l'outil sous tension. Des outils, des déchets de découpe et d'autres débris peuvent être projetés à grande vitesse, provoquant des blessures.
- **GARDER LA ZONE DE TRAVAIL PROPRE.** Les zones et établis encombrés sont souvent des causes d'accidents.
- **NE PAS UTILISER L'APPAREIL DANS UN ENVIRONNEMENT DANGEREUX.** L'utilisation d'outils électriques dans des endroits humides ou mouillés ou sous la pluie peut provoquer un choc électrique ou une électrocution. Tenir la zone de travail bien éclairée pour éviter de trébucher ou de mettre bras, mains et doigts en danger.
- **TENIR LES ENFANTS À L'ÉCART.** Tous les visiteurs doivent se trouver à une distance sûre de la zone de travail. Un atelier représente un environnement potentiellement dangereux.
- **S'ASSURER QUE L'ATELIER NE PRÉSENTE PAS DE DANGER POUR LES ENFANTS :** utiliser des cadenas, des interrupteurs principaux ou retirer les clés de démarrage. Le démarrage non autorisé d'un appareil par un enfant ou un visiteur pourrait se solder par des blessures.
- **NE PAS FORCER L'OUTIL.** Le travail sera mieux accompli et sera moins dangereux au rythme prévu pour l'appareil.
- **UTILISER L'OUTIL APPROPRIÉ.** Ne pas forcer un outil ou un accessoire pour effectuer un travail auquel il n'a pas été conçu. L'utilisation d'un outil ou d'un accessoire inapproprié pourrait se solder par des blessures corporelles.
- **PORTER LES VÊTEMENTS APPROPRIÉS.** Ne pas porter ni vêtement ample, ni gant, ni cravate, ni bague, ni bracelet, ni autre bijou, car ces derniers pourraient s'enchevêtrer dans des pièces mobiles. Des souliers antidérapants sont recommandés. Se couvrir les cheveux s'ils sont longs. Se tenir éloigné des événements, car ces derniers pourraient camoufler des pièces mobiles.
- **TOUJOURS PORTER DES LUNETTES DE SÉCURITÉ.** Les lunettes ordinaires ne constituent PAS des lunettes de sécurité. Utiliser également un masque facial ou antipoussière si l'opération de découpe génère de la poussière. **TOUJOURS PORTER UN ÉQUIPEMENT DE SÉCURITÉ HOMOLOGUÉ :**
  - protection oculaire conforme à la norme ANSI Z87.1 (CAN/CSA Z94.3);
  - protection auditive conforme à la norme ANSI S12.6 (S3.19);
  - protection des voies respiratoires conforme aux normes NIOSH/OSHA/MSHA.
- **FIXER LA PIÈCE.** Utiliser des brides de fixation ou un étau pour maintenir la pièce sur la table et contre le guide. Faire de même lorsque le travail à effectuer exigera que la main de l'opérateur se trouve très proche de la lame (à moins de 152 mm [6 po]). Une telle pratique est plus sécuritaire, car l'opérateur peut utiliser ses deux mains pour faire fonctionner l'outil.
- **NE PAS TROP TENDRE LES BRAS.** Conserver son équilibre en tout temps. Une perte d'équilibre risque d'entraîner une blessure corporelle.
- **PRENDRE SOIN DES OUTILS.** S'assurer que les outils sont aiguisés et propres afin d'optimiser sécurité et performance. Suivre les consignes de graissage et de changement d'accessoires. Les machines et outils mal entretenus peuvent s'endommager davantage et/ou provoquer des blessures.
- **ÉTEINDRE L'APPAREIL ET COUPER LE COURANT** avant d'installer ou de retirer des accessoires, avant de réaliser ou de modifier un réglage et lors de réparations ou de déplacements de l'appareil. Un démarrage accidentel peut provoquer des blessures. Ne pas toucher aux lames métalliques de la fiche lors du branchement ou du débranchement du cordon d'alimentation.
- **RÉDUIRE LE RISQUE DE DÉMARRAGE ACCIDENTEL.** S'assurer que l'interrupteur se trouve sur la position « ARRÊT » avant de brancher le cordon d'alimentation.



- **UTILISER UNE RALLONGE APPROPRIÉE.** S'assurer que la rallonge est en bon état. Lorsqu'une rallonge est utilisée, s'assurer d'utiliser un calibre suffisamment élevé pour assurer le transport du courant nécessaire au fonctionnement de l'appareil. Une rallonge de calibre inférieur causera une chute de tension de ligne et donc une perte de puissance et une surchauffe. Le tableau suivant indique le calibre approprié à utiliser selon la longueur de la rallonge et l'intensité nominale de la plaque signalétique. En cas de doute, utiliser le calibre supérieur suivant. Plus le numéro de calibre est petit, plus le cordon est de calibre élevé.

Calibre minimum pour rallonge						
Intensité nominale		Volts	Longueur totale du cordon en mètres (en pieds)			
		120 V	7,6 (25)	15,2 (50)	30,5 (100)	45,7 (150)
		240 V	15,2 (50)	30,5 (100)	61,0 (200)	91,4 (300)
Plus de	Pas plus de	AWG				
0	6		5,5 (18)	4,9 (16)	4,9 (16)	4,3 (14)
6	10		5,5 (18)	4,9 (16)	4,3 (14)	3,7 (12)
10	12		4,9 (16)	4,9 (16)	4,3 (14)	3,7 (12)
12	16		4,3 (14)	3,7 (12)	Non recommandé	

- **VÉRIFIER QUE LES PIÈCES NE SONT PAS ENDOMMAGÉES.** Avant toute utilisation ultérieure de l'outil, un protège-lame (ou une autre pièce) endommagé doit être soigneusement examiné afin de déterminer s'il fonctionnera correctement et remplira sa fonction prévue – vérifier l'alignement des pièces mobiles, la présence de grippage des pièces mobiles, de rupture de pièces, la fixation et tout problème pouvant nuire au fonctionnement de l'outil. Un protège-lame (ou toute autre pièce) endommagé doit être réparé et remplacé adéquatement. Ne pas utiliser l'appareil si l'interrupteur ne fonctionne pas.
- **UTILISER LES ACCESSOIRES RECOMMANDÉS.** N'utiliser que les accessoires conseillés par le fabricant pour le modèle de l'outil. Des accessoires qui conviennent à un outil pourraient être dangereux lorsqu'ils sont utilisés avec un autre outil. Une liste des accessoires recommandés se trouve dans le mode d'emploi. L'utilisation d'accessoires incorrects peut entraîner un risque de blessure corporelle.
- **NE JAMAIS SE TENIR SUR L'OUTIL.** Une blessure grave pourrait se produire en cas de basculement de l'outil ou de démarrage accidentel de l'outil de découpe.
- **NE JAMAIS LAISSER L'OUTIL FONCTIONNER SANS SURVEILLANCE. ÉTEINDRE L'APPAREIL.** Ne pas laisser l'outil tant qu'il n'est pas complètement arrêté. De graves blessures pourraient survenir.
- **NE PAS UTILISER D'OUTILS ÉLECTRIQUES À PROXIMITÉ DE LIQUIDES INFLAMMABLES OU DANS UNE ATMOSPHÈRE GAZEUSE OU EXPLOSIVE.** Les moteurs de ces outils peuvent provoquer des étincelles et enflammer des vapeurs.
- **ÊTRE VIGILANT, SURVEILLER LE TRAVAIL EFFECTUÉ ET FAIRE PREUVE DE JUGEMENT. NE PAS UTILISER L'APPAREIL EN CAS DE FATIGUE OU SOUS L'INFLUENCE DE DROGUES, D'ALCOOL ou DE MÉDICAMENTS.** En effet, un moment d'inattention en utilisant des outils électriques peut se solder par des blessures.

### Règles de sécurité supplémentaires pour les scies à onglets

**⚠️ AVERTISSEMENT :** Ne pas laisser une bonne connaissance de l'outil (acquise par l'utilisation fréquente de la scie) prendre préséance sur les règles de sécurité. Toujours se souvenir qu'une fraction de seconde d'imprudance est suffisante pour infliger de graves blessures.

- **NE PAS FAIRE FONCTIONNER CET APPAREIL** avant qu'il ne soit entièrement assemblé et installé conformément aux directives. Un appareil mal assemblé peut provoquer des blessures graves.

- **DEMANDER CONSEIL** à un superviseur, à un instructeur ou à toute autre personne qualifiée si l'on ne maîtrise pas parfaitement l'utilisation de cet appareil. La connaissance est synonyme de sécurité.
- **STABILITÉ.** S'assurer que la scie à onglets est posée sur une surface portante fixe et ne risque pas de glisser ou de se déplacer durant son utilisation.
- **SUIVRE TOUS LES CODES DE CÂBLAGE** et les branchements électriques recommandés afin d'éviter les chocs électriques ou l'électrocution. Il faut protéger la ligne d'alimentation électrique avec un fusible à temporisation ou un disjoncteur d'au moins 15 ampères.
- **S'ASSURER** que la lame tourne dans le bon sens. Les dents de la lame doivent pointer dans le sens de rotation, comme il est indiqué sur la scie.
- **SERRER TOUTES LES POIGNÉES DE FIXATION**, les boutons et les leviers avant l'utilisation de la scie. Si les brides sont lâches, des pièces ou la pièce à travailler pourraient être projetées à grande vitesse.
- **S'ASSURER QUE** la lame au complet et les attaches de lame sont propres, que les côtés encastres des attaches de lame sont appuyés sur la lame et que la vis de l'arbre est bien serrée. Un mécanisme de serrage de lame lâche ou mal installé risque d'endommager la scie et de provoquer des blessures corporelles.
- **UTILISER TOUJOURS UNE LAME TRANCHANTE.** Vérifier que la lame fonctionne bien dans l'axe et qu'elle ne vibre pas. Une lame émoussée ou une lame qui vibre peut endommager l'appareil et/ou provoquer des blessures graves.
- **NE PAS UTILISER UNE TENSION AUTRE QUE CELLE DÉSIGNÉE** pour la scie. Une tension autre risquerait d'entraîner une surchauffe, des dommages à la scie et des blessures corporelles.
- **NE PAS PLACER QUOI QUE CE SOIT CONTRE LE VENTILATEUR** pour retenir l'arbre moteur. Une telle pratique peut endommager l'outil et entraîner des blessures corporelles.
- **NE PAS** forcer l'action de coupe. Le calage partiel ou complet du moteur peut causer des dommages à l'appareil ou à la lame et/ou des blessures graves.
- **LAISSER LE MOTEUR ATTEINDRE SON PLEIN RÉGIME** avant de commencer la coupe. Commencer à couper trop tôt peut endommager l'appareil ou la lame et/ou provoquer des blessures graves.
- **NE JAMAIS COUPER DE MÉTAUX FERREUX** (métaux contenant du fer ou de l'acier) ni de la maçonnerie. En coupant l'un ou l'autre de ces matériaux, les pointes carburées peuvent se détacher de la lame, et ce, à grande vitesse. Cela peut provoquer des blessures graves.
- **NE PAS UTILISER DE MEULES ABRASIVES.** La chaleur excessive et les particules abrasives qu'elles produisent risquent d'endommager la scie et de causer des blessures corporelles.
- **AUCUNE** partie du corps ne doit se trouver dans la trajectoire de la lame de la scie. Un tel positionnement risque d'entraîner des blessures corporelles.
- **NE JAMAIS** appliquer de lubrifiant sur une lame en fonctionnement. L'application de lubrifiant pourrait amener l'opérateur à déplacer ses mains jusque sur la lame et ainsi se blesser gravement.
- **IL NE FAUT PAS** placer une main à proximité de la lame lorsque la scie est branchée au bloc d'alimentation. Le fonctionnement inopiné de la lame risquerait d'entraîner des blessures graves.
- **NE PAS RÉALISER D'OPÉRATIONS À MAIN LEVÉE** (pièce à travailler non soutenue par la table et le guide). Tenir la pièce à travailler fermement contre le guide et la table. Une opération à main levée avec une scie à onglets risquerait de projeter la pièce à grande vitesse, provoquant ainsi des blessures graves.
- **NE PAS PASSER LES MAINS AUTOUR** de la lame de scie ou derrière celle-ci. Une lame peut provoquer des blessures graves.

- **IL NE FAUT PAS** passer les mains sous la scie sauf si elle est hors tension et débranchée. Tout contact avec la lame de scie pourrait entraîner des blessures corporelles.
- **FIXER L'APPAREIL SUR UNE SURFACE DE SUPPORT STABLE.** Les vibrations sont susceptibles de faire glisser, sautiller ou basculer l'appareil, ce qui peut provoquer des blessures graves.
- **UTILISER UNIQUEMENT LES LAMES À TRONÇONNER** recommandées pour les scies à onglets. Pour des résultats optimaux, ne pas utiliser de lames à pointes de carbure avec un angle d'attaque supérieur à 7 degrés. Ne pas utiliser des lames à dents très espacées. Celles-ci peuvent dévier et faire contact avec le protège-lame et endommager ainsi l'appareil et/ou provoquer des blessures graves.
- **UTILISER SEULEMENT DES LAMES DE DIMENSION ET DE TYPE APPROPRIÉS** prévues pour cet outil, et ce, pour éviter d'endommager l'appareil et/ou d'entraîner des blessures graves.
- **INSPECTER LA LAME POUR REPÉRER DES FISSURES** ou d'autres dommages avant l'utilisation. Une lame fissurée ou endommagée peut se détacher et des fragments peuvent être projetés à grande vitesse, ce qui peut provoquer des blessures graves. Remplacer les lames fissurées ou endommagées immédiatement.
- **NETTOYER LA LAME ET LES ATTACHES DE LAME** avant l'utilisation. Le nettoyage de la lame et des attaches de lame permet de détecter tout dommage à la lame ou aux attaches de lame. Une lame ou une attache de lame fissurée ou endommagée peut se détacher et des fragments peuvent être projetés à grande vitesse, ce qui peut provoquer des blessures graves.
- **IL NE FAUT PAS** utiliser de graisse ni de produits nettoyants (en particulier de pulvérisateur ou d'aérosol) à proximité du protège-lame en plastique. Certains produits chimiques peuvent attaquer le matériau de polycarbonate dont il est constitué.
- **TOUJOURS UTILISER LA PLAQUE DE TRAIT DE SCIE ET LA REMPLACER LORSQU'ELLE EST ENDOMMAGÉE.** L'accumulation de petits copeaux sous la scie pourrait nuire à la lame ou rendre la pièce instable lors de la découpe.
- **UTILISER SEULEMENT LES ATTACHES DE LAME** prévues pour cet outil afin de prévenir tout dommage et/ou des blessures graves.
- **DÉGAGER LES ÉVÉNEMENTS DU MOTEUR** de toute sciure ou de tout copeau. Des événements de moteur obstrués peuvent provoquer la surchauffe de l'appareil, ce qui l'endommagerait et provoquerait peut-être un court-circuit qui pourrait engendrer des blessures graves.
- **TENIR LES BRAS, LES MAINS ET LES DOIGTS** éloignés de la lame afin d'éviter des coupures graves. Fixer solidement toutes les pièces qui exigeraient que la main soit à moins de 152 mm (6 po) de la lame de scie.
- **NE JAMAIS VERROUILLER L'INTERRUPTEUR** en position de « **MARCHE** ». Une telle pratique peut entraîner des blessures corporelles graves.
- **ÉTEINDRE L'APPAREIL** et laisser la lame s'immobiliser complètement avant de relever le bras, de nettoyer la zone de la lame, d'enlever les débris de la trajectoire de la lame et avant l'entretien ou le réglage de l'outil. Une lame mobile peut provoquer des blessures graves.
- **SOUTENIR CORRECTEMENT LES PIÈCES LONGUES OU LARGES.** La perte de contrôle de la pièce peut provoquer des blessures.
- **NE JAMAIS** croiser les bras devant la lame au moment d'utiliser l'outil. Toujours effectuer un fonctionnement à sec (non alimenté) avant de réaliser une coupe de finition. Ainsi, la trajectoire de la lame peut être vérifiée, ce qui permet d'éviter toute blessure corporelle grave.
- **DES INFORMATIONS SUPPLÉMENTAIRES** (c.-à-d., une vidéo sur la sécurité), indiquant comment utiliser des outils électriques correctement et en toute sécurité, sont disponibles auprès du Power Tool Institute, 1300 Sumner Avenue, Cleveland, OH 44115-2851 É.-U. ([www.powertoolinstitute.com](http://www.powertoolinstitute.com)). Des renseignements sont également offerts par le National Safety Council, 1121 Spring Lake Drive, Itasca, IL 60143-3201 É.-U. Se reporter à la norme ANSI O1.1 de l'American National Standards Institute concernant

les exigences en matière de sécurité pour les appareils de travail du bois ainsi qu'à la réglementation OSHA 1910.213 du département du travail des É.-U. (Department of Labor).

**⚠AVERTISSEMENT :** Ne connectez pas l'appareil à une source d'alimentation électrique tant que vous n'avez pas complètement lu et compris les instructions.

**⚠AVERTISSEMENT :** Toujours porter une protection auditive appropriée conformément à la norme ANSI S12.6 (S3.19) lors de l'utilisation du produit. Dans certaines conditions et selon la durée d'utilisation, le bruit émis par ce produit pourrait contribuer à une perte auditive.

**⚠AVERTISSEMENT :** NE JAMAIS EFFECTUER DE COUPE SI LE MATÉRIAU N'EST PAS MAINTENU EN PLACE SUR LA TABLE ET CONTRE LE GUIDE.

**⚠AVERTISSEMENT :** les scies, meules, ponceuses, perceuses ou autres outils de construction peuvent produire des poussières contenant des produits chimiques reconnus par l'État californien pour causer cancers, malformations congénitales ou être nocifs au système reproducteur. Parmi ces produits chimiques, on retrouve :

- Le plomb dans les peintures à base de plomb ;
- La silice cristallisée dans les briques et le ciment, ou autres produits de maçonnerie ; et
- L'arsenic et le chrome dans le bois ayant subi un traitement chimique.

Les risques liés à l'exposition à ces poussières varient selon la fréquence à laquelle vous travaillez avec ce type de matériaux. Afin de réduire votre exposition à ces produits chimiques : travaillez dans un endroit bien ventilé et portez un équipement de sécurité approuvé comme un masque anti-poussières conçu spécialement pour filtrer les particules microscopiques.

- Évitez le contact prolongé avec les poussières produites par les activités de ponçage, sciage, meulage, perçage et autres activités de construction. Portez des vêtements de protection et lavez les parties du corps exposées avec une solution d'eau et de savon. Le fait de laisser la poussière pénétrer par la bouche et les yeux ou de la laisser reposer sur la peau, peut promouvoir l'absorption de produits chimiques nocifs.

**⚠AVERTISSEMENT :** L'utilisation de cet outil peut produire ou propulser des poussières qui pourraient causer des problèmes respiratoires graves et permanents ou d'autres problèmes médicaux. Portez toujours un appareil respiratoire approuvé par la NIOSH/OSHA pour vous protéger de la poussière. Dirigez les particules à l'écart de votre visage et de votre corps.

Pour plus de commodité et de sécurité, les étiquettes de sécurité suivantes sont apposées sur votre scie à onglet.

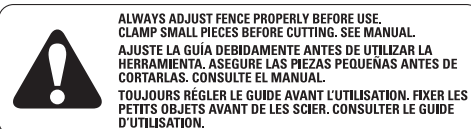
#### SUR LE BOÎTIER DU MOTEUR :

**⚠AVERTISSEMENT :** POUR RÉDUIRE TOUT RISQUE DE DOMMAGES CORPORELS, L'UTILISATEUR DOIT LIRE LE MANUEL DE L'UTILISATEUR AVANT TOUTE UTILISATION DE LA SCIE À ONGLET.

**LORS DE L'ENTRETIEN, UTILISER UNIQUEMENT DES PIÈCES DE RECHANGE IDENTIQUES.**

**NE PAS EXPOSER L'OUTIL À LA PLUIE OU L'UTILISER EN MILIEU DETREMPÉ. PORTER SYSTÉMATIQUEMENT UN SYSTÈME DE PROTECTION OCULAIRE ET DES VOIES RESPIRATOIRES ADÉQUATS.**

#### SUR LES GUIDES MOBILES :



**AJUSTEZ TOUJOURS LE GUIDE AVANT CORRECTEMENT UTILISATION. FIXEZ LES PETITES PIÈCES AVANT DE LES DÉCOUPER. VOIR LE MANUEL.**

**SUR LE PARE-MAIN :**

**DANGER: RESTEZ À L'ÉCART DE LA LAME.**

**SUR LE PARE-MAIN SUPÉRIEUR :**

**FIXEZ BIEN LE SUPPORT DE FIXATION AVEC LES DEUX VIS AVANT D'UTILISER LE PRODUIT.**

**SUR LA TABLE : (À 2 ENDROITS)**

**AVERTISSEMENT : POUR VOTRE SÉCURITÉ, PRIÈRE DE LIRE LE MODE D'EMPLOI AVANT D'UTILISER LA SCIE À ONGLETS. GARDER LES MAINS HORS DE LA TRAJECTOIRE DE LA LAME DE LA SCIE.**

**NE PAS UTILISER LA SCIE SANS QUE LES PARE-MAINS NE SOIENT EN PLACE. VÉRIFIER, AVANT CHAQUE USAGE, QUE LE PARE-MAIN INFÉRIEUR SE FERME BIEN.**

**TOUJOURS BIEN SERRER LES RÉGLAGES AVANT UTILISATION. EFFECTUER TOUTE OPÉRATION EN TENANT L'OUTIL DES DEUX MAINS.**

**NE JAMAIS PASSER LES MAINS À L'ARRIÈRE DE LA LAME DE LA SCIE. NE JAMAIS PASSER LES BRAS DEVANT LA LAME. ÉTEINDRE L'OUTIL ET ATTENDRE L'ARRÊT DE LA LAME DE LA SCIE AVANT DE DÉPLACER LA PIÈCE, DE MODIFIER LES RÉGLAGES OU DE DÉPLACER LES MAINS.**

**DÉBRANCHER LA SCIE AVANT DE REMPLACER UNE LAME OU PROCÉDER À UNE RÉPARATION.**

**AFIN DE RÉDUIRE LES RISQUES DE BLESSURES, LAISSER LA SCIE REVENIR EN POSITION COMPLÈTEMENT RELEVÉE APRÈS CHAQUE UTILISATION. IL SUFFIT DE RÉFLÉCHIR! VOUS POUVEZ EMPÊCHER LES ACCIDENTS.**

**SUR LE SOCLE : (À 2 ENDROITS)**



**Connexion électrique**

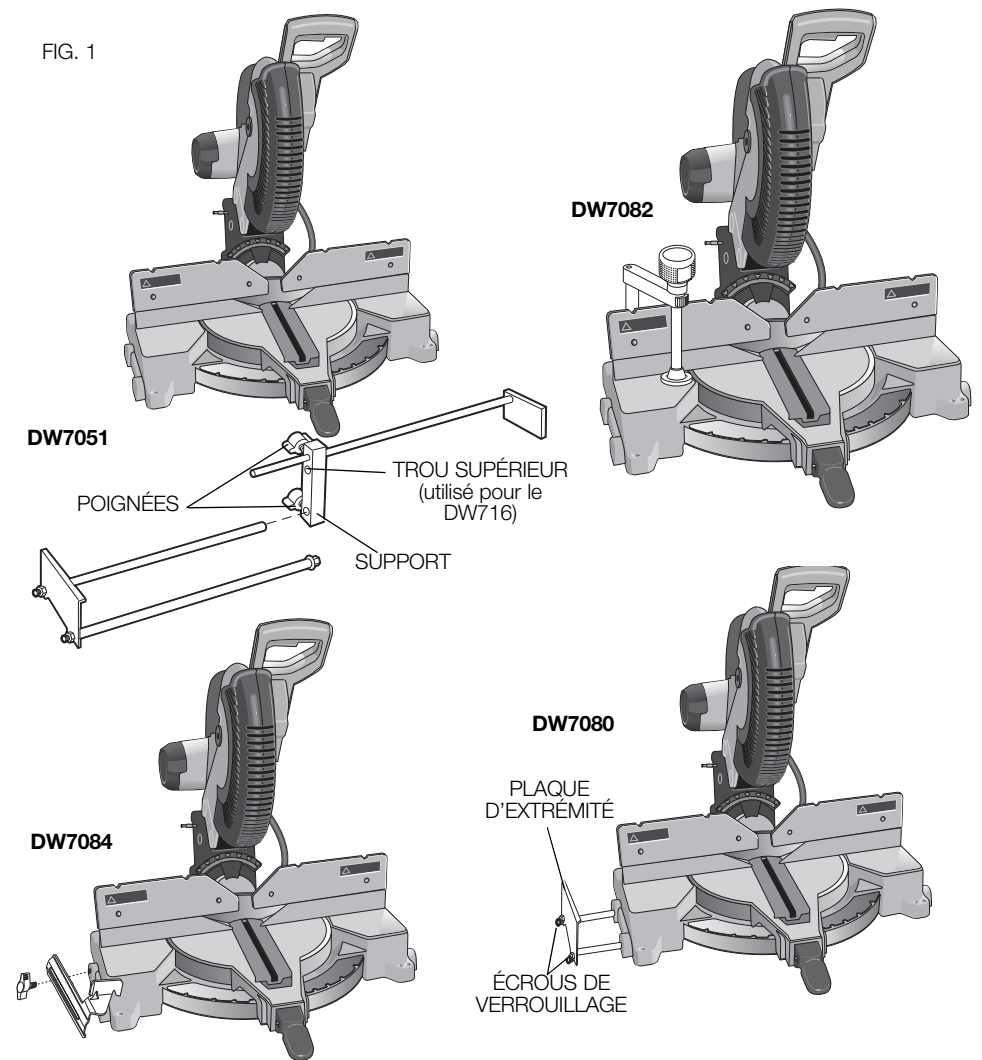
S'assurer que le bloc d'alimentation est compatible avec l'inscription de la plaque signalétique. 120 volts, c.a. signifie que votre scie fonctionne en courant alternatif. L'interrupteur est susceptible de panne en cas d'utilisation de courant continu. Une diminution de tension de 10 pour cent ou plus risque de causer une perte de puissance et une surchauffe. Tous les outils DEWALT sont testés en usine. Si cet outil ne fonctionne pas, vérifier l'alimentation.

**Accessoires**

**AVERTISSEMENT :** Puisque les accessoires, autre que ceux offerts par DEWALT, démunis examinés avec ce produit, utilisation de tels accessoires avec cet outil pourraient être dangereux. Pour réduire le risque de dommages, seulement DEWALT, les accessoires recommandés devraient être employés avec ce produit.

Si toute assistance est nécessaire pour trouver tout accessoire, écrire à DEWALT Industrial Tool Co., 701 East Joppa Road, Baltimore, MD 21286, États-Unis, composer le 1(800) 4-DEWALT (1-800-433-9258) ou visiter notre site Web à [www.dewalt.com](http://www.dewalt.com).

FIG. 1



**Accessoires facultatifs (Fig. 1)**

Les accessoires suivants, conçus pour votre scie, peuvent vous être utiles. Dans certains cas, d'autres supports d'ouvrage, butées réglables, fixations, etc. peuvent être plus appropriés. Faire attention lors du choix et de l'utilisation d'accessoires.

**Extension, support de pièce : DW7080**

Le support de pièce est utilisé pour soutenir de longues pièces qui dépassent. Il est assemblé par l'utilisateur. Votre table à scier est conçue pour accepter deux supports de pièces, un de chaque côté.

**Butée réglable : DW7051**

Nécessite l'utilisation d'un support de pièce. Elle sert à effectuer des découpes répétitives de même longueur (comprise entre 0 et 107 cm (0 et 42 po)).

**Bride de fixation : DW7082**

Sert à fixer fermement la pièce sur la table à scier pour une découpe de précision.



### Sac à poussière : DW7053 (livré avec certains modèles)

Équipé d'une fermeture à glissière pour un vidage facile, le sac à poussière capture la plus grande partie de la sciure produite (non illustré).

### Guide de moulures couronnées : DW7084

Sert pour la découpe de précision de moulures couronnées.

### Ébauche de plaque de trait de scie : DW7055 (pas illustrés)

Sert à limiter le détachement de la face arrière du matériau ou sert de plaque de trait de scie de rechange.

### Établis de scie à onglet : DWX723, DWX724, DWX725B (pas illustrés)

Ils offrent une plateforme de travail stable et précise aux scies à onglet.

**LAMES DE SCIE :** TOUJOURS UTILISER DES LAMES DE SCIE DE 305 mm (12 po) AVEC DES TROUS D'AXE DE 25,4 mm (1 po). L'INDICE DE VITESSE DOIT ÊTRE AU MOINS DE 4800 tr/min. Ne jamais utiliser de lames de diamètre inférieur. Le protège-lame ne serait pas adéquat. Utiliser uniquement des lames à tronçonner! Ne pas utiliser de lames conçues pour un sciage rapide, des lames combinées ou des lames à crochets d'un angle supérieur à 7°.

DESCRIPTION DES LAMES		
APPLICATION	DIAMÈTRE	DENTS
<b>Lames de scie de construction (fin trait de scie avec côté anticollant)</b>		
Polyvalente	305 mm (12 po)	40
Tronçonnage fin	305 mm (12 po)	60
<b>Lames de scie pour travail du bois (fournissent des coupes propres et régulières)</b>		
Tronçonnage fin	305 mm (12 po)	80
Métaux non ferreux	305 mm (12 po)	96
<b>REMARQUE :</b> pour couper des métaux non ferreux, utiliser des lames de scie à denture TCG (trapézoïdale) spécialement conçues à cet effet.		

## DIRECTIVES DE SÉCURITÉ IMPORTANTES

### Désemballage de la scie

Vérifier le contenu de la boîte pliante de la scie à onglets pour s'assurer que toutes les pièces ont été livrées. En plus de ce mode d'emploi, la boîte pliante devrait contenir :

1. Une scie à onglets n° DW716 ou DW716XPS
2. Une lame de scie DEWALT de 305 mm (12 po) de diamètre.
3. Une clé de lame située dans la poche de clé illustrée à la figure 2.
4. Un sac à poussière DW7053 (certains modèles).

### Fiche technique

#### CAPACITÉ DE DÉCOUPE

Onglet gauche ou droit à 50°

Biseau gauche ou droit à 48°

Onglet à 0°

Hauteur maximale 91,5 mm (3,6 po)

Largeur maximale 200,7 mm (7,9 po)

Onglet à 45°

Hauteur maximale 91,5 mm (3,6 po)

Largeur maximale 140 mm (5,5 po)

Biseau à 45° - gauche

Hauteur maximale 58,4 mm (2,3 po)

Largeur maximale 200,7 mm (7,9 po)

Largeur résultante 183 mm (7,2 po)

Hauteur résultante 73,7 mm (2,9 po)

Largeur résultante 125 mm (4,9 po)

Hauteur résultante 73,7 mm (2,9 po)

Largeur résultante 188 mm (7,4 po)

Hauteur résultante 48,3 mm (1,9 po)

45° bevel - Right

Largeur maximale 200,7 mm (7,9 po)

Hauteur maximale 40,6 mm (1,6 po)

Hauteur résultante 28 mm (1,1 po)

Largeur résultante 180,3 mm (7,1 po)

La scie est capable de découper des moulures de plinthes de 22,9 mm (0,9 po) d'épaisseur par 152 mm (6 po) de hauteur sur un onglet droit ou gauche à 45°.

**REMARQUE :** La scie est capable de découper de la manière suivante lorsqu'une procédure de configuration spéciale est suivie (voir **Coupes Spéciales**).

Onglet à 0° hauteur de 38,1 mm (1,5 po)

largeur de 255 mm (10 po)

Onglet à 45° hauteur de 38,1 mm (1,5 po)

largeur de 190,5 mm (7,5 po)

### ENTRAÎNEMENT

#### Moteur 120 V

1 675 W (entrée max.)

3 800 tr/min

Courroie trapézoïdale multiple

Frein électrique automatique

Moteur 15 ampères

Engrenages hélicoïdaux taillés

Roulements à rouleau

Lame en carbure

### Familiarisation

La scie à onglets est entièrement assemblée dans la boîte pliante. Ouvrir la boîte et sortir la scie en la prenant par la poignée de transport commode, tel qu'il est illustré à la figure 1A. Installez la scie sur une surface plane et lisse comme un établi, une table robuste ou un établi de scie à onglet DEWALT. Examiner la figure 2 pour se familiariser avec la scie et ses diverses pièces. La section concernant les réglages renverra à ces termes et il faut savoir quelles sont les différentes pièces et où elles se trouvent.

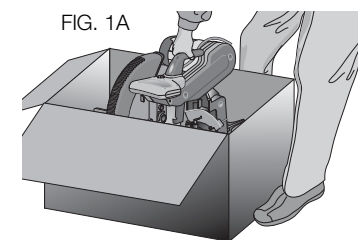


FIG. 1A

**ATTENTION :** Risque de pincement. Pour réduire

le risque de blessures, garder le pouce sous la poignée lors de son abaissement. Lors de l'abaissement de la poignée, le dispositif de protection inférieur se déplacera vers le haut et pourrait pincer l'utilisateur. La poignée est placée près du carter pour des coupes particulières.

Enfoncer doucement la poignée de fonctionnement, puis tirer sur la broche de verrouillage comme le montre la figure 2. Relâcher doucement la pression descendante, puis tenir le bras en le laissant remonter à sa pleine hauteur. Utiliser l'épingle de verrouillage pour transporter la scie d'un endroit à l'autre. Pour déplacer la scie, toujours utiliser la poignée de transport ou les zones en retrait pour la main illustrées à la figure 2 et 4.

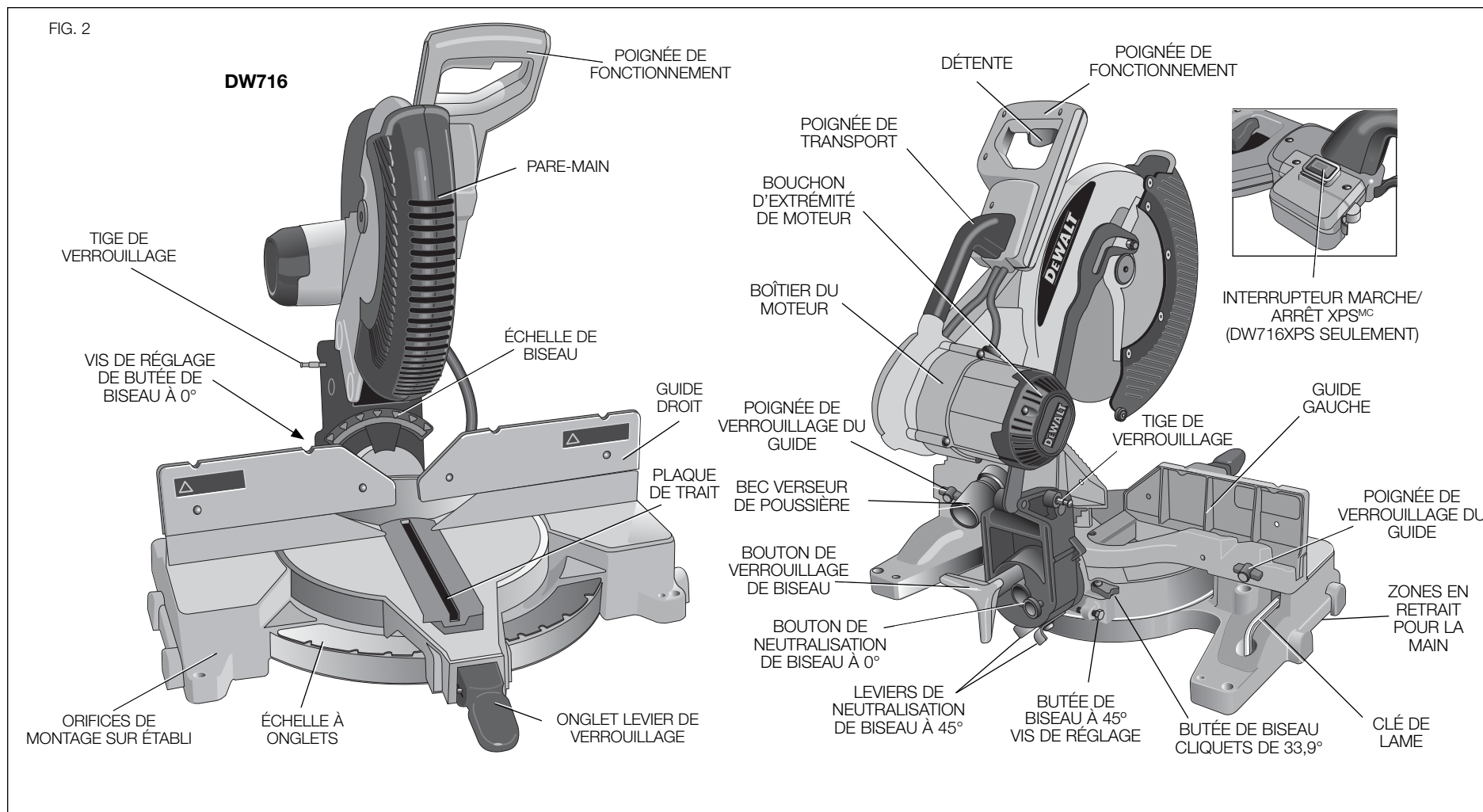
### ASSEMBLAGE ET AJUSTEMENTS

**AVERTISSEMENT :** pour réduire le risque de blessures, éteindre l'appareil et le débrancher avant d'installer ou de retirer tout accessoire et avant d'effectuer des réglages ou des réparations. Un démarrage accidentel peut provoquer des blessures.

### Montage sur établi

Les quatre pieds sont munis de trous pour faciliter le montage sur établi, tel qu'il est illustré à la figure 2 (deux trous de taille différente sont prévus afin de recevoir des vis de différentes tailles. Utiliser l'un des trous, il n'est pas nécessaire d'utiliser les deux.) Toujours fixer fermement la scie à une surface stable pour éviter tout mouvement. Pour améliorer la portabilité de l'outil, il peut être monté sur une pièce de contreplaqué de 12,7 mm (1/2 po) ou d'une épaisseur supérieure, qui peut à son tour être fixée à votre support de pièce ou déplacée vers un autre site de travail et fixée à nouveau.

**REMARQUE :** Si la scie doit être fixée à une pièce de contreplaqué, s'assurer que les vis de montage ne dépassent pas de la partie inférieure du bois. Le contreplaqué doit reposer



à plat sur le support de la pièce. Lors de la fixation de la scie à toute surface de travail, ne la fixer que sur les brides de fixation où se situent les trous des vis de montage. L'utilisation des brides de fixation à tout autre endroit nuirait à coup sûr au fonctionnement adéquat de la scie.

**ATTENTION :** Pour éviter tout grippage et manque de précision, s'assurer que la surface de montage n'est pas tordue et ne présente pas d'autre défaut. Si la scie bascule sur la surface, placer une pièce de matériau de faible épaisseur sous l'un des pieds de la scie, jusqu'à ce que cette dernière soit fermement assise sur la surface de montage.

### Changement ou pose d'une nouvelle lame de scie (Fig. 3)

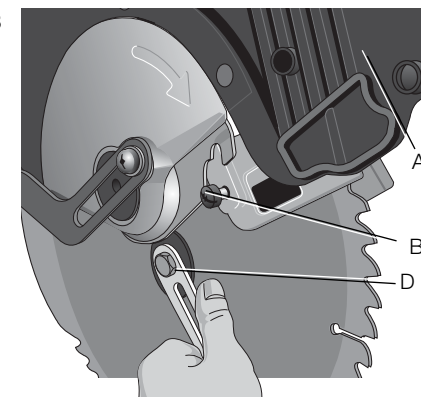
#### ATTENTION :

- Ne jamais enfoncer le bouton de verrouillage de la broche lorsque la lame est sous tension ou qu'elle continue de tourner après l'arrêt de la scie.
- Ne pas couper du métal ferreux (contenant du fer ou de l'acier), de la maçonnerie ou du fibrociment avec cette scie à onglets.

#### Dépose de la lame

1. Débrancher la scie.
2. Soulever le bras jusqu'à la position supérieure, puis lever le pare-main (A) aussi haut que possible.

FIG. 3





- Desserrer la vis du support du pare-main (B) sans l'enlever de manière à ce que le support puisse être levé suffisamment haut pour accéder à la vis de la lame. Le pare-main inférieur demeurera levé en raison de la position de la vis du support de pare-main.
- Enfoncer le bouton de verrouillage de la broche (C) tout en tournant la lame de scie manuellement de manière à engager le dispositif de verrouillage.
- Maintenir le bouton enfoncé et utiliser l'autre main et la clé fournie (D) pour desserrer la vis de la lame. (Tourner dans le sens horaire, filets inversés.)
- Enlever la vis (E) l'attache de lame extérieure (F) et la lame (G). L'attache de lame interne (I), et le cas échéant, l'adaptateur de lame (H) de 25,4 mm (1 po), peuvent être laissés sur la broche.

**REMARQUE :** L'adaptateur de lame de 25,4 mm (1 po) n'est pas utilisé pour les lames dotées d'un trou de lame de 15,88 mm (5/8 po).

FIG. 3A

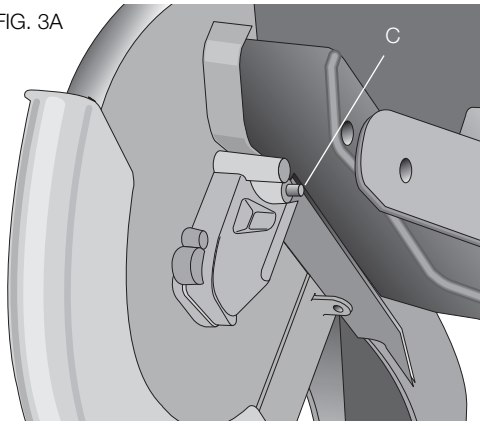
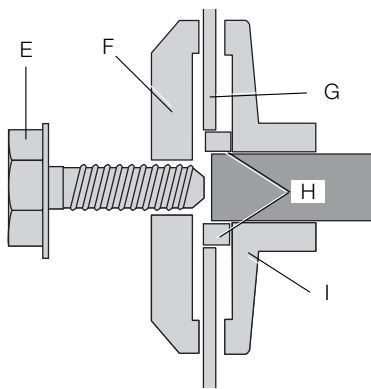


FIG. 3B



### Pose d'une lame

- Débrancher la scie.
- Avec le bras relevé, le dispositif de protection inférieur ouvert sur son support, placer la lame sur la broche, sur l'adaptateur de lame (si une lame à trou de 25,4 mm [1 po] est utilisée), et contre l'attache de lame de fixation intérieure, les dents se trouvant au bas de la lame et pointant vers l'arrière de la scie.
- Assembler l'attache de lame extérieure sur la broche.
- Poser la vis de la lame et, tout en engageant le bouton de verrouillage de la broche, serrer fermement la vis (E) avec la clé fournie. (Tourner dans le sens antihoraire, filets inversés.)

**REMARQUE :** l'adaptateur de lame n'est pas utilisé pour les lames à trou de 15,88 mm (5/8 po) et doit être rangé dans un endroit sûr pour un usage ultérieur.

- Remettre le support de pare-main à sa position d'origine, puis serrer fermement la vis (B) du support de pare-main afin de maintenir en place le support.

### ⚠ AVERTISSEMENT :

- Le support du pare-main doit être remis à sa position d'origine et la vis doit être serrée avant d'activer la scie.
- Négliger de le faire risque de faire entrer en contact le pare-main avec la lame de scie tournante et ainsi causer des dommages à la scie et des blessures corporelles graves.

### Transport de la scie (Fig. 2, 4)

**⚠ WARNING:** pour réduire tout risque de dommages corporels graves, verrouiller **SYSTÉMATIQUEMENT** la manette de verrouillage d'onglet, la molette de verrouillage de biseau, les boutons de réglage du guide et arrimer le bras en position inférieure à l'aide de la goupille de blocage avant de transporter la scie.

Afin de transporter aisément la scie à onglets d'un endroit à l'autre, l'outil est doté d'une poignée de transport sur la partie supérieure du bras de la scie et de zones en retrait pour la main sur sa base, tel qu'il est illustré à la figures 2 et 4.

FIG. 4



### Réglages

**⚠ AVERTISSEMENT :** pour réduire le risque de blessures, éteindre l'appareil et le débrancher avant d'installer ou de retirer tout accessoire et avant d'effectuer des réglages ou des réparations. Un démarrage accidentel peut provoquer des blessures.

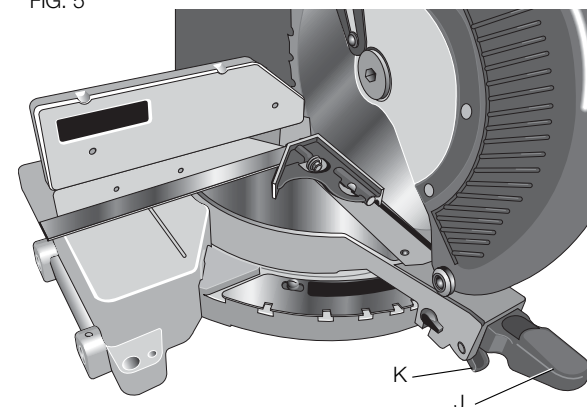
**REMARQUE :** La scie à onglets est réglée en usine de manière complète et précise au moment de sa fabrication. Si un nouveau réglage est requis à cause de l'expédition, du transport ou d'une autre raison, suivre la procédure suivante pour régler la scie :

Lorsque ces réglages ont été effectués, ils devraient conserver leur précision. Passer maintenant quelques instants à suivre ces directives attentivement afin de profiter de l'intégralité de la précision dont la scie est capable.

### RÉGLAGE D'ÉCHELLE À ONGLETS (FIG. 5)

Placer une équerre contre le guide de la scie et contre la lame. (Ne pas toucher aux extrémités des dents de scie avec l'équerre. Cela nuirait à la précision des mesures.) Desserrer la poignée de blocage d'onglet et faire basculer le bras d'onglet jusqu'à ce que le loquet d'onglet le verrouille sur la position d'onglet 0. Ne pas bloquer le levier de verrouillage d'onglet (J). Si la lame de la scie n'est pas exactement perpendiculaire au guide, desserrer les trois vis fixant l'échelle à onglets à la base, puis déplacer l'échelle à gauche ou à droite de manière à ce que la lame soit perpendiculaire au guide, selon la mesure réalisée avec l'équerre. Resserrer les trois vis. Ne pas tenir compte actuellement du relevé du pointeur de l'onglet.

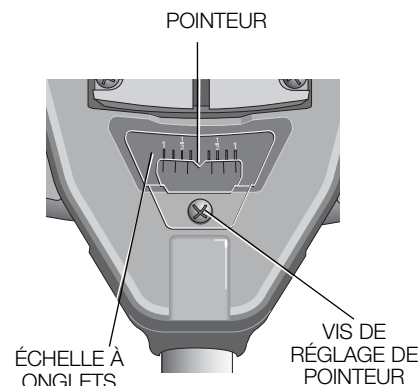
FIG. 5



### RÉGLAGE DU POINTEUR D'ONGLET (FIG. 5, 6)

Pour le déverrouillage, soulever le levier de verrouillage d'onglet (J), puis serrer le loquet d'onglet (K) afin de déplacer le bras d'onglet à la position zéro. Après avoir desserré le levier de verrouillage de l'onglet, laisser le loquet de l'onglet s'enclencher en place au moment de régler le bras d'onglet à la position zéro. Observer le pointeur et l'échelle à onglets illustrés à la figure 6. Si le pointeur n'indique pas exactement zéro, desserrer la vis le maintenant en place, le repositionner et resserrer la vis.

FIG. 6



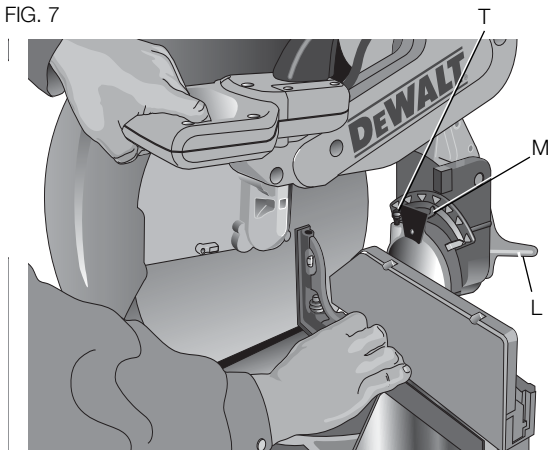
### RÉGLAGE DU BISEAU EN ÉQUERRE AVEC LA TABLE (FIG. 7)

Pour aligner la lame en équerre avec la table rotative, verrouiller le bras en position basse. Mettre une équerre contre la lame et faire attention à ce que l'équerre ne se retrouve pas au sommet d'une dent. Desserrer le bouton de verrouillage de l'onglet (L) et s'assurer que le bras est bien placé contre la butée du biseau de 0°. Déplacer la vis de réglage (T) de la butée de biseau 0° au besoin de manière à ce que la lame se trouve au biseau de 0° par rapport à la table.

### POINTEUR DE BISEAU (FIG. 7)

Si le pointeur de biseau (M) n'indique pas zéro, desserrer la vis qui le fixe en place et déplacer le pointeur au besoin. Ne pas retirer la plaque d'acier située devant le pointeur du biseau. Cette plaque empêche l'accumulation de résine de bois sur l'échelle de biseau durant l'utilisation de l'outil.

FIG. 7



### RÉGLAGE DE LA BUTÉE DU BISEAU DE 45° À GAUCHE OU À DROITE (FIG. 8)

**REMARQUE :** Régler l'angle du biseau de 45° uniquement après avoir réglé l'angle du biseau de 0° et du pointeur. S'assurer que les leviers de neutralisation de biseau à 45° (N) sont enfoncés pour obtenir un réglage exact.

Pour régler l'angle droit de biseau à 45°, desserrer le bouton de verrouillage du biseau (L), puis tirer le bouton de neutralisation de la butée de biseau (S) pour neutraliser la butée de biseau 0°. Lorsque la scie se trouve complètement à droite, si le pointeur n'indique pas avec exactitude 45°, tourner la vis (O) de la butée du biseau droit de manière à ce que le pointeur indique 45°.

Pour régler la butée du biseau de 45° à gauche, desserrer d'abord le bouton de blocage du biseau (L), puis incliner la tête vers la gauche. Si le pointeur n'indique pas avec exactitude 45°, tourner la vis de la butée du biseau à gauche de manière à ce que la lecture du pointeur soit de 45°.

### RÉGLAGE DE LA BUTÉE DU BISEAU À 33,9° (FIG. 8)

**REMARQUE :** Régler l'angle du biseau de 33,9° uniquement après avoir réglé l'angle du biseau de 0° et du pointeur.

Pour régler l'angle du biseau de 33,9°, faire pivoter le cliquet de butée (P). Desserrer le bouton de blocage du biseau (L), puis incliner la tête vers la gauche. Si le pointeur n'indique pas avec exactitude 33,9°, tourner la vis qui est en contact avec le cliquet de manière à ce que la lecture du pointeur soit de 33,9°.

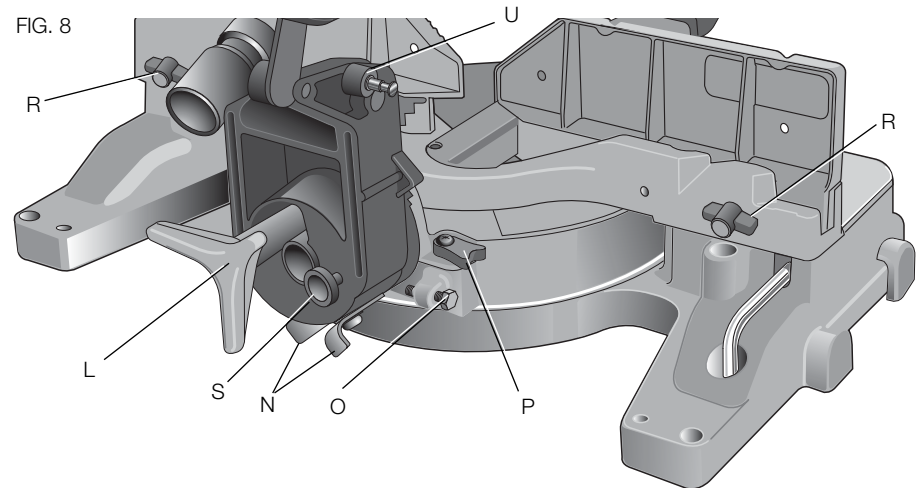
### RÉGLAGE DU GUIDE (FIG. 8)

Afin que la scie puisse biseauter à 48° vers la gauche ou la droite, les guides peuvent être réglés pour assurer un dégagement suffisant. Pour régler le guide, desserrer le bouton de plastique (figure 8, R), puis glisser le guide vers l'extérieur. Effectuer un essai à blanc en laissant la scie hors tension et en vérifiant le dégagement. Régler le guide de sorte à être aussi proche de la lame que possible afin de fournir un soutien maximal à la pièce sans nuire aux mouvements du bras vers le haut et le bas. Bien serrer la poignée. Lorsque les opérations de biseautage sont terminées, ne pas oublier de remettre le guide en place.

**REMARQUE :** les rainures de guidage des guides pourront s'encrasser à cause de la sciure. Si c'était le cas, utiliser un bâtonnet, de l'air comprimé basse pression ou un aspirateur pour les nettoyer.

Pour régler l'angle du biseau de 33,9°, faire pivoter le cliquet de butée (P). Desserrer le bouton de verrouillage du biseau (L), puis régler le bouton de neutralisation de la butée du biseau (S) pour neutraliser la butée du biseau 0°. Lorsque la scie se trouve complètement à droite, si le pointeur n'indique pas avec exactitude 33,9°, tourner la vis en contact avec el cliquet de manière à ce que le pointeur indique 33,9°.

FIG. 8



### FREIN ÉLECTRIQUE AUTOMATIQUE (FIG. 2)

Votre scie est équipée d'un frein de lame électrique automatique qui arrête la lame de la scie dans les 5 secondes qui suivent le relâchement de la détente. Cela n'est pas réglable.

Un délai peut parfois se produire entre le relâchement de la détente et l'engagement du frein. En de rares occasions, le frein peut ne pas s'engager du tout et la lame ralentira jusqu'à s'arrêter complètement.

Si un délai ou un « saut » se produit, allumer et éteindre la scie 4 ou 5 fois. Si le problème persiste, faire réparer l'outil par un centre de réparation agréé DEWALT. S'assurer systématiquement de l'arrêt complet de la lame avant de la retirer de la plaque de trait. Le frein ne remplace pas les dispositifs de sécurité. S'assurer de sa propre sécurité en portant toute son attention à la scie.

### ACTIVATION ET VISIBILITÉ DU PARE-MAIN

**ATTENTION :** Risque de pincement. Pour réduire le risque de blessures, garder le pouce sous la poignée lors de son abaissement. Lors de l'abaissement de la poignée, le dispositif de protection inférieur se déplacera vers le haut et pourrait pincer l'utilisateur.

Le pare-main de la lame de votre scie est conçu pour se soulever automatiquement lorsque le bras est descendu et pour s'abaisser par-dessus la lame lorsque le bras est levé.

Il est possible de soulever manuellement le pare-main lors de l'installation ou de la dépose de lames de scie ou pour inspecter la scie. **NE JAMAIS SOULEVER MANUELLEMENT LE PARE-MAIN DE LA LAME SI LA SCIE N'EST PAS HORS TENSION.**

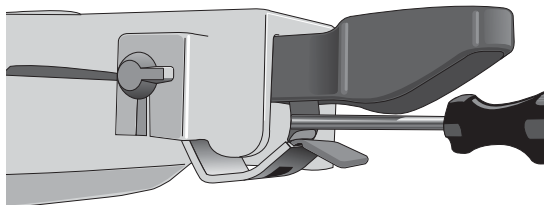
**REMARQUE :** Certaines découpes spéciales de matériaux de grande taille requièrent de soulever manuellement le pare-main. Consulter **Découpe de grands matériaux** sous **Découpes spéciales**.

La partie frontale du pare-main est persiennée pour offrir plus de visibilité pendant la découpe. Bien que les persiennes réduisent radicalement les projections de débris, il s'agit d'ouvertures dans le pare-main; il faut donc toujours porter des lunettes de sécurité au moment de regarder au travers des persiennes.

### RÉGLAGE DU DISPOSITIF DE VERROUILLAGE DE L'ONGLET (FIG. 9)

La barre de verrouillage de l'onglet doit être réglée s'il est possible de déplacer la table de la scie lorsque la poignée de verrouillage de l'onglet est verrouillée. Pour le réglage, Mettre la poignée de verrouillage de l'onglet à la position de hauteur. Au moyen d'un tournevis à fente, régler la barre de blocage pour augmenter sa force, par progression de 1/8 de tour dans le sens horaire. Pour assurer le bon fonctionnement du dispositif de verrouillage de l'onglet, verrouiller de nouveau la poignée de verrouillage de l'onglet à un angle d'onglet sans cran d'arrêt.

FIG. 9



### Balais (Fig. 2)

Inspectez les balais de charbon régulièrement en débranchant l'outil, en retirant le capot du moteur (fig. 2), et en retirant le bouchon du porte-balais maintenant le module balais à ressort. S'assurer que les balais sont propres et qu'ils glissent librement dans leurs guides. Toujours replacer dans son support un balai utilisé dans le sens où il se trouvait avant d'être retiré. Un balai doit être remplacé lorsqu'il est usé d'environ 12,7 mm (1/2 po), car le ressort n'exerce plus de pression. N'utiliser que des balais DEWALT identiques. Il est essentiel pour un fonctionnement correct du frein électrique d'utiliser la classe adéquate de balai. De nouveaux ensembles de balais sont disponibles auprès des centres de réparation DEWALT. Laisser l'outil « tourner à blanc » (tourner sans charge) pendant 10 minutes pour qu'un balais

neuf se positionne correctement. Le frein électrique peut ne pas fonctionner correctement tant que les balais ne sont pas correctement positionnés (usés). Toujours remplacer le capuchon d'inspection du balai après avoir inspecté ou réparé un balai.

Lors d'un « fonctionnement à blanc », **NE PAS ATTACHER NI FIXER AU MOYEN DE RUBAN ADHÉSIF ET NE PAS VERROUILLER D'UNE AUTRE MANIÈRE LA DÉTENTE EN POSITION MARCHE. NE LA TENIR QU'À LA MAIN.**

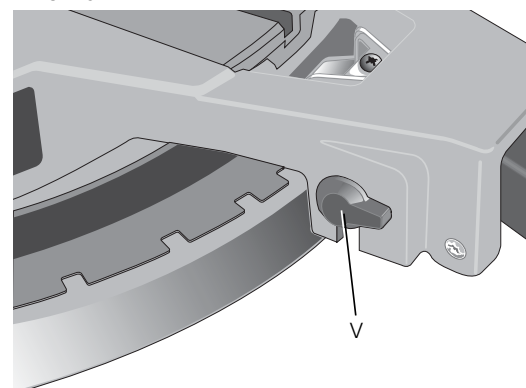
### Commandes

La scie à onglets mixtes est dotée de plusieurs commandes, qui sont brièvement évoquées ici. Pour plus de renseignements au sujet de ces commandes, consulter plus loin dans le manuel les rubriques respectives.

### COMMANDE D'ONGLET (FIG. 5, 10)

Le levier de verrouillage d'onglet (J) et le verrou d'onglet (K) permettront de régler la scie sur un onglet de 50°, à gauche et à droite. Pour régler l'onglet de la scie, déverrouiller le levier de verrouillage de l'onglet (J) en le relevant, puis serrer la gâchette (K) et régler l'angle de l'onglet désiré sur l'échelle à onglets. Verrouiller la poignée de verrouillage de l'onglet en y appliquant une pression. Neutraliser la gâchette en tournant le bouton (fig. 10, V).

FIG. 10



### DÉTENTE (FIG. 2)

La détente permet d'allumer et d'éteindre la scie. Elle est dotée d'un orifice afin de pouvoir y insérer un cadenas pour mettre en sûreté la scie.

### UTILISATION D'UN DISPOSITIF D'ÉCLAIRAGE DEL XPS<sup>MC</sup> (FIG. 2) DW716XPS SEULEMENT

**REMARQUE :** la scie à onglet doit être connectée à une source de courant.

Le dispositif d'éclairage DEL XPS<sup>MC</sup> est équipé d'un interrupteur MARCHE/ARRÊT (Fig. 2). Le dispositif d'éclairage DEL XPS<sup>MC</sup> fonctionne indépendamment de la détente de la scie à onglet.

La lampe n'a pas besoin d'être allumée pour que la scie fonctionne.

Pour couper le long d'un tracé au crayon sur un morceau de bois, allumez le dispositif XPS<sup>MC</sup>, puis abaissez la poignée de fonctionnement pour rapprocher la lame de scie du bois. L'ombre de la lame sera visible sur le bois. La silhouette de l'ombre représente le matériau que la lame éliminera pendant la coupe. Pour ajuster correctement la découpe avec le tracé au crayon, alignez le tracé sur la lisière de l'ombre de la lame. Il sera peut-être nécessaire d'ajuster aussi les angles d'onglet ou de biseau pour cadrer exactement avec le tracé.

### VERROUILLAGE DE BISEAU (FIG. 7, 8)

Le bouton de verrouillage du biseau (L) permet de régler la scie à un angle de biseau de 48° à gauche ou à droite. Pour desserrer la poignée et régler le biseau, tourner la poignée dans le



sens antihoraire, la tête de la scie peut facilement biseauter à gauche ou à droite après avoir tiré le bouton de neutralisation du biseau 0 ° (S). Pour le serrage, tourner la poignée dans le sens horaire. Les repères des degrés de biseau figurent dans la partie inférieure avant du bras de scie (fig. 7, M).

### NEUTRALISATION DU BISEAU 0 ° (FIG. 8)

La neutralisation de la butée du biseau (S) permet à la scie de biseauter à droite, après le repère 0 °

La scie s'arrêtera automatiquement à 0 ° lorsqu'elle provient de la gauche. Pour un déplacement à droite, après 0 °, tirer le bouton de butée du biseau. Le bouton de butée peut être verrouillé en tirant le bouton et en le tournant de 180 °.

### DISPOSITIFS DE NEUTRALISATION DE LA BUTÉE DU BISEAU 45 ° (FIG. 8)

Les dispositifs de neutralisation de la butée du biseau (N) sont maintenus fixés par leur vis de fixation pour éviter tout déplacement imprévu. Utiliser la mèche de la clé de la lame pour desserrer la vis de fixation. Cela permet aux glissières d'être tirées vers l'extérieur et de faire pivoter la tête de la scie au-delà du repère de 45 °. S'assurer de resserrer la vis de fixation après avoir terminé.

### BUTÉES DE BISEAU À 33,9 ° (FIG. 8)

Les deux cliquets (P) servent à bloquer le réglage du biseau de la tête de scie à 33,9 °. Ce réglage est principalement utilisé pour couper les moulures couronnées qui reposent sur la table.

### TIGE DE VERROUILLAGE DE LA TÊTE (FIG. 8)

**⚠AVERTISSEMENT : la goupille de blocage NE doit être utilisée QUE pour transporter ou entreposer la scie.**

Pour verrouiller la tête de scie en position basse, pousser la tête vers le bas, enfoncer la tige (U) et relâcher la tête de scie. Cela maintiendra la tête de scie en bas en toute sécurité pendant le déplacement de la scie d'un endroit à un autre. Pour déverrouiller, pousser la tête de scie vers le bas et retirer la tige.

## FONCTIONNEMENT

**⚠AVERTISSEMENT : pour réduire le risque de blessures, éteindre l'appareil et le débrancher avant d'installer ou de retirer tout accessoire et avant d'effectuer des réglages ou des réparations. Un démarrage accidentel peut provoquer des blessures.**

**⚠AVERTISSEMENT : Toujours porter une protection oculaire. Tous les utilisateurs et spectateurs doivent porter une protection oculaire conforme à la norme ANSI Z87.1 (CAN/CSA Z94.3).**

Brancher la scie à une source d'alimentation domestique standard de 60 Hz. Se reporter à la plaque signalétique pour la tension. S'assurer que le cordon ne nuira pas avec votre travail.

## INTERRUPTEUR

Pour mettre la scie sous tension, relâcher la détente. Pour mettre l'outil hors tension, relâcher la détente. Laisser la lame tourner à plein régime avant d'entamer la découpe. Relâcher la détente et laisser le frein arrêter complètement la lame avant de soulever la tête de scie. Il n'y a pas de mécanisme de blocage de la détente, mais cette dernière est dotée d'un orifice permettant d'insérer un cadenas pour assurer la sécurité de la scie.

### DÉCOUPE À L'AIDE DE VOTRE SCIE

**REMARQUE :** Bien que cette scie puisse couper du bois et de nombreux matériaux non métalliques, Nous traiterons uniquement de la découpe de bois. Les mêmes directives s'appliquent aux autres matériaux. **NE PAS COUPER À L'AIDE DE CETTE SCIE DES MATÉRIAUX FERREUX (FER ET ACIER) OU DE LA MAÇONNERIE.** Ne pas utiliser de lame abrasive.

### COUPES TRANSVERSALES

La découpe de plusieurs pièces n'est pas recommandée, mais elle peut être effectuée en toute sécurité en s'assurant que chaque pièce est maintenue fermement en place contre la table et le guide. Une coupe transversale est une coupe de bois effectuée à travers les fibres du bois, à n'importe quel angle. Une coupe transversale droite s'effectue avec le bras d'onglet en position de zéro degré. Régler et verrouiller le bras d'onglet à zéro, maintenir fermement le bois en place sur la table et contre le guide. Mettre la scie en marche en pressant la détente.

**⚠ATTENTION :** Utilisez toujours un pinceur de travail pour conserver la maîtrise de la pièce et réduire le risque de dommages à votre pièce et de blessure corporelle.

Lorsque la scie atteint son plein régime (en environ 1 seconde), baisser doucement et lentement le bras pour découper le bois. Laisser la lame s'arrêter complètement avant de relever le bras.

Les coupes transversales à l'onglet s'effectuent avec le bras d'onglet disposé à un angle différent de zéro. L'angle est souvent de 45 ° pour couper des coins, mais peut être défini comme n'importe quelle valeur entre 0 et 50 ° à gauche ou à droite. Après avoir choisi l'angle d'onglet désiré, s'assurer de verrouiller le levier de verrouillage de l'onglet. Effectuer la coupe comme décrit ci-dessus.

Pour couper une pièce en suivant une ligne au crayon, essayer de faire correspondre le plus possible l'angle. Couper d'abord la pièce un peu plus longue puis mesurer de la ligne au crayon au bord coupé pour déterminer la direction de réglage de l'angle d'onglet puis couper de nouveau. Il faut un peu de pratique mais cette technique demeure toutefois très utilisée.

### COUPES EN BISEAU

Une coupe en biseau est une coupe transversale réalisée avec la lame de la scie formant un angle avec la pièce en bois. Pour régler le biseau, desserrer le bouton de serrage

du biseau, puis déplacer la scie à gauche, à l'endroit voulu. (Il est nécessaire de déplacer le guide pour permettre un dégagement suffisant). Lorsque l'angle de biseau souhaité a été réglé, bien resserrer le bouton de serrage de biseau.

Il est possible de régler les angles de biseau de 48 ° à droite à 48 ° à gauche et la coupe peut se faire de manière à ce que le bras d'onglet soit réglé entre zéro et 50 ° à droite ou à gauche. Dans le cas de certains angles extrêmes, il est possible de devoir retirer le guide de gauche ou de droite. Pour ce faire, dévisser les boutons de plusieurs tours et retirer le guide en le faisant glisser.

### QUALITÉ DE COUPE

La qualité de toute coupe dépend de plusieurs variables. Des paramètres tels que le matériau coupé, le type de lame, la dureté de la lame et la vitesse de coupe contribuent tous à la qualité de coupe.

Lorsque des coupes plus régulières sont souhaitées, notamment dans le cas de moulures ou d'autres travaux de précision, une lame aiguisée (60 dents en carbure) et une vitesse de coupe plus faible et plus régulière produiront le résultat souhaité.

S'assurer que le matériau ne flue pas pendant l'opération de coupe en le fixant de manière sûre. Toujours laisser la lame s'arrêter complètement avant de relever le bras.

Si de petites fibres de bois sont toujours projetées à l'arrière de la pièce, placer un morceau de ruban adhésif de carrossier sur le bois à l'endroit où la coupe sera effectuée. Scier le ruban adhésif et le retirer soigneusement une fois le travail terminé.

Pour différentes applications de coupe, consulter la liste de lames de scie recommandées pour votre outil et sélectionner celle qui s'adapte le mieux à vos besoins. Consulter **Lames de Scie** sous **Accessoires Facultatifs**.

### POSITION DU CORPS ET DES MAINS (FIG. 11)

Un positionnement adéquat de votre corps et de vos mains lors de l'utilisation de la scie à onglets rendra la coupe plus facile, plus précise et plus sûre. Ne placez jamais vos mains à proximité de la zone de coupe. Ne pas mettre les mains à moins de 152 mm (6 po) de la lame. Maintenir fermement la pièce en place contre la table et le guide pendant l'opération de coupe. Garder les mains en position jusqu'au relâchement de la détente et à l'arrêt complet de la lame. **TOUJOURS EFFECTUER DES ESSAIS À BLANC (SANS ALIMENTATION) AVANT DE RÉALISER VOS COUPES AFIN DE VÉRIFIER LA TRAJECTOIRE DE LA LAME. NE PAS CROISER LES BRAS, COMME ILLUSTRÉ EN FIGURE 11.**

Garder les pieds ancrés au sol afin de maintenir son équilibre. Au moment de déplacer le bras d'onglet vers la gauche ou la droite, le suivre et se tenir légèrement sur le côté de la lame de la scie. Observer au travers des persiennes du pare-main pour suivre un trait tiré au crayon.



## FIXATION DE LA PIÈCE

**⚠️ AVERTISSEMENT :** pour réduire le risque de blessures, éteindre l'appareil et le débrancher avant d'installer ou de retirer tout accessoire et avant d'effectuer des réglages ou des réparations. Un démarrage accidentel peut provoquer des blessures.

**⚠️ AVERTISSEMENT :** Une pièce de travail qui est abloquée, équilibrée et fixée avant d'être coupée peut devenir déséquilibrée après la coupe. Une charge déséquilibrée risque de faire basculer la scie ou toute chose à laquelle la scie est fixée, comme une table ou un établi. Au moment de couper une pièce qui risque d'être déséquilibrée, s'assurer qu'elle est bien soutenue et que la scie est bien boulonnée à une surface stable. Sinon, il y aurait risque de blessures corporelles.

**⚠️ AVERTISSEMENT :** Chaque fois qu'un presseur est utilisé, le pied du presseur doit demeurer solidement fixé au-dessus de la base de la scie. Toujours abloquer la pièce à la base de la scie et non à une autre partie de la zone de travail. S'assurer que le pied du presseur n'est pas fixé sur le bord de la base de la scie.

**⚠️ ATTENTION :** Utilisez toujours un pinceur de travail pour conserver la maîtrise de la pièce et réduire le risque de dommages à votre pièce et de blessure corporelle.

Si la pièce ne peut être maintenue manuellement sur la table et contre le guide (à cause d'une forme irrégulière ou d'une autre raison) ou que la main se trouve à moins de 152 mm (6 po) de la lame, il faut utiliser un serre-joint ou une autre fixation.

Pour un résultat optimal, utiliser le serre-joint DW7082 conçu pour une utilisation avec votre scie. Il peut être acheté auprès d'un détaillant de votre région ou à un centre de réparation DEWALT.

D'autres accessoires tels que des pinces à ressort, serres à barre ou serre-joint en C peuvent convenir à certaines tailles et formes de matériaux. Être attentif lors de la sélection et de la pose de ces serres-joints. Prendre le temps d'effectuer un essai à blanc avant d'entamer la coupe. Les guides de gauche et de droite coulissent d'un côté à l'autre pour faciliter l'opération de serrage.

## INSTALLATION DE LA BRIDE (VENDU SÉPARÉMENT)

1. L'insérer dans le trou situé derrière le guide. La bride doit être face à l'arrière de la scie à onglets. La rainure logée dans la tige de la bride doit être bien insérée dans la base. S'assurer que cette rainure est bien insérée dans la base de la scie à onglets. Si la rainure est visible, cela signifie que la bride est mal fixée.
2. Tourner la bride de 180 ° vers l'avant de la scie à onglets.
3. Desserrer la poignée pour monter ou descendre la bride, puis utiliser le bouton de réglage fin pour serrer fermement la pièce.

**REMARQUE:** Placer la bride du côté opposé à la base pour le biseautage. TOUJOURS EFFECTUER DES MARCHES À SEC (SANS ALIMENTATION) AVANT DE RÉALISER VOS COUPES AFIN DE VÉRIFIER LA TRAJECTOIRE DE LA LAME. S'ASSURER QUE LA BRIDE N'OBSTRUE PAS LE MOUVEMENT DE LA SCIE OU DES DISPOSITIFS DE PROTECTION.

## SOUTIEN DES PIÈCES LONGUES

TOUJOURS SOUTENIR LES PIÈCES LONGUES.

Ne jamais utiliser une personne à la place d'une rallonge de table, comme soutien supplémentaire, pour une pièce dont la longueur ou la largeur dépasse le banc de scie de base ou pour aider à alimenter, soutenir la pièce ou pour la tirer.

Pour des résultats optimums, utilisez le support télescopique DW7080 ou les établis de scie à onglet DWX723, DWX724 ou DWX725B pour agrandir votre table de scie. Ils sont vendus séparément chez votre détaillant. Soutenir les longues pièces à l'aide de tout moyen commode, par exemple un chevalet de sciage ou un appareil similaire, afin d'empêcher les extrémités de tomber.

FIG. 11

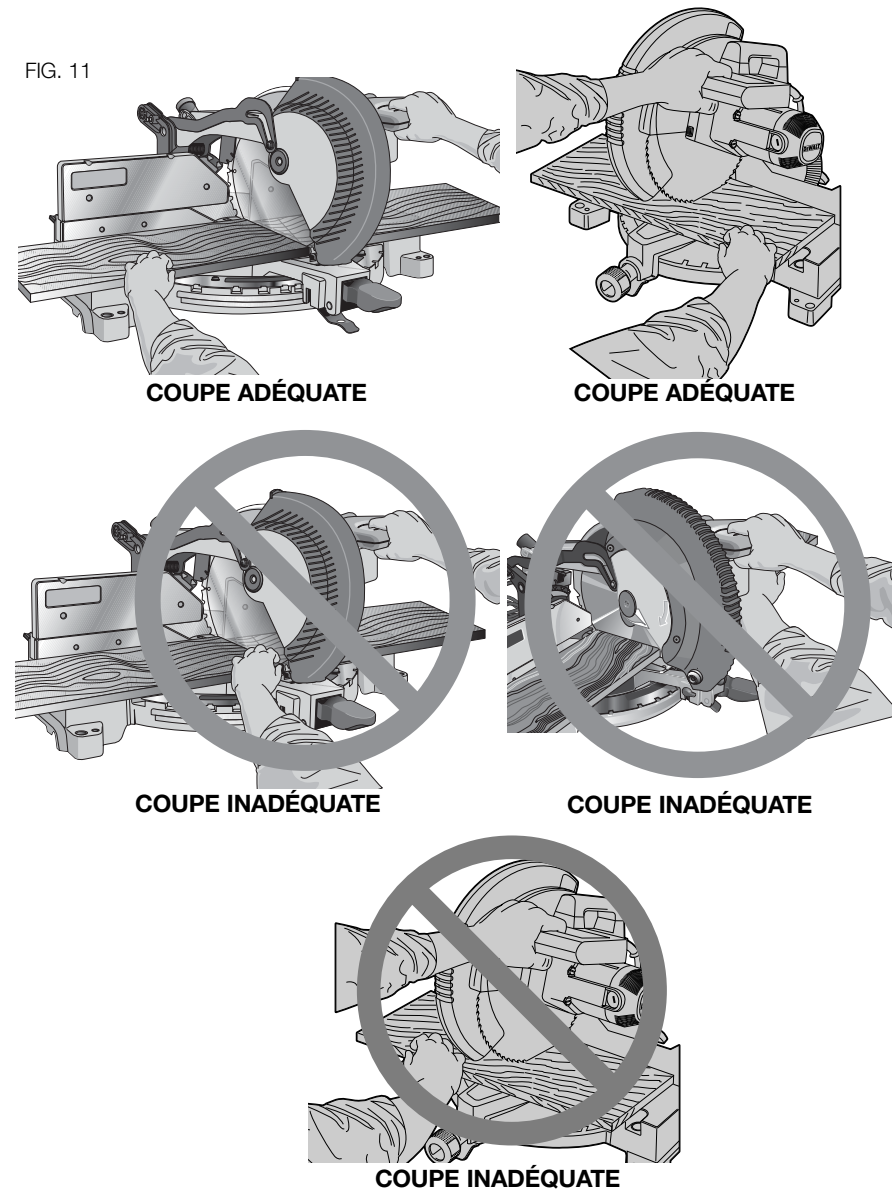
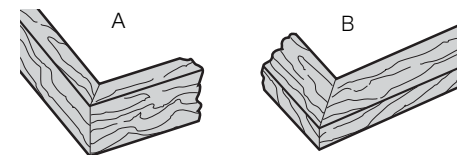


FIG. 12



## DÉCOUPE DE CADRES, DE BOÎTES-CADRES ET D'AUTRES OBJETS À QUATRE FACES

Pour mieux comprendre comment façonner les éléments mentionnés ici, nous vous suggérons de commencer par des projets simples en utilisant des chutes de bois jusqu'à ce que vous soyez bien familiarisé avec votre outil.

La scie est l'outil parfait pour réaliser des coins à l'onglet comme celui illustré à la figure 13. Le diagramme A de la figure 12 illustre un assemblage réalisé à l'aide du réglage de biseau pour biseauter les arêtes des deux planches à 45° chacune afin de produire un coin à 90°. Pour réaliser cet assemblage, le bras d'onglet était bloqué à la position zéro et le réglage de biseau était bloqué à 45°. Le morceau de bois était positionné avec le large côté plat contre la table et l'arête étroite contre le guide. Il aurait également été possible de découper à l'onglet à droite et à gauche en maintenant la surface large contre le guide.

## DÉCOUPE DE MOULURES DE GARNISSAGE ET D'AUTRES CADRES

Le diagramme B de la figure 12 illustre un assemblage réalisé en réglant le bras d'onglet à 45° pour couper à onglet les deux planches afin de former un coin à 90°. Pour réaliser ce type d'assemblage, régler le biseau sur zéro et le bras d'onglet sur 45°. Le morceau de bois était à nouveau positionné avec le large côté plat contre la table et l'arête étroite contre le guide.

Les deux diagrammes de la figure 12 correspondent à des objets à quatre côtés.

Lorsque le nombre de côtés change, les angles d'onglets et de biseau changent aussi. Le tableau ci-dessous indique les angles adéquats pour diverses formes.

- EXEMPLES -	
PAS DE CÔTÉ	ONGLET OU BISEAU D'ANGLE
4	45°
5	36°
6	30°
7	25,7°
8	22,5°
9	20°
10	18°

(Le tableau suppose que tous les côtés sont de même longueur). Pour réaliser une forme qui n'apparaît pas dans le tableau, utiliser la formule suivante : 180° divisé par le nombre de côtés donne l'angle d'onglets (si le matériau est coupé verticalement) ou de biseau (s'il est coupé à plat).

## COUPE À ONGLETS MIXTES

Une coupe à onglets mixtes est réalisée en utilisant simultanément un angle d'onglet et un angle de biseau. C'est le type de coupe utilisé pour fabriquer des cadres ou des boîtes dont les côtés sont inclinés, comme il est illustré dans la figure 14.

**REMARQUE :** Si l'angle de coupe varie d'une coupe à l'autre, s'assurer que le bouton de serrage de biseau et le bouton de blocage d'onglet sont bien serrés. Ces boutons doivent être resserrés après chaque réglage d'onglet ou de biseau.

Le tableau (Tableau 1) vous aidera à sélectionner les réglages d'onglet et de biseau adéquats pour des coupes à onglets mixtes classiques. Pour utiliser le tableau, sélectionner l'angle « A » souhaité (figure 14) pour votre projet et rechercher cet angle sur l'arc adéquat du tableau. Tracer un trait vertical à partir de ce point pour lire l'angle de biseau adéquat et un trait horizontal pour lire l'angle d'onglet adéquat.

Régler la scie sur les angles prescrits et effectuer quelques coupes d'essai. S'entraîner à assembler les pièces coupées jusqu'à maîtriser cette procédure.

**Exemple :** Pour fabriquer une boîte à quatre côtés avec des angles extérieurs à 26° (angle A, figure 14), utiliser l'arc supérieur droit. Trouver la valeur 26° sur l'échelle de l'arc. Suivre la ligne horizontale intersectante jusqu'à l'un des deux axes pour obtenir le réglage de l'angle d'onglet pour votre scie (42°). Suivre de même la ligne verticale intersectante vers le bas ou vers le haut pour obtenir le réglage de l'angle de biseau pour la scie (18°). Toujours essayer les coupes sur des chutes de bois afin de vérifier les réglages de la scie.

FIG. 13

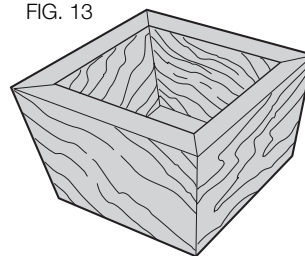
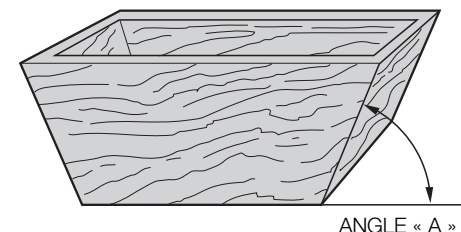


FIG. 14



## ÉCHELLE À VERNIER

La scie est dotée d'une échelle à vernier pour une précision accrue. L'échelle à vernier permet de régler avec exactitude les angles d'onglets au quart de degré près. Pour utiliser l'échelle à vernier, suivre les étapes suivantes.

(Par exemple, supposons que l'angle voulu de l'onglet est de 24,5° à droite).

1. Éteindre la scie à onglets.
2. Régler l'angle d'onglets au degré entier près voulu en alignant le repère central sur l'échelle à vernier, illustrée à la figure 15, le numéro de degré entier est gravé sur l'échelle à onglets. Examiner de près la figure 16, le réglage montre un onglet de 24° à droite.

FIG. 15

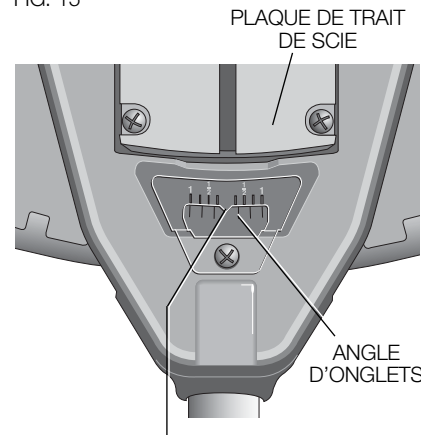
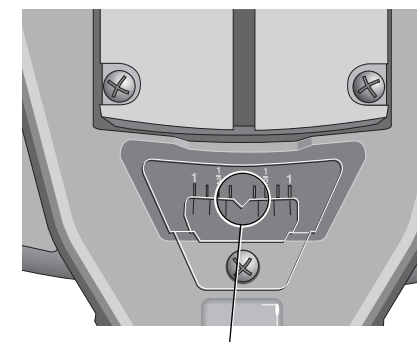


FIG. 16



LE REPÈRE CENTRAL DE L'ÉCHELLE À VERNIER S'ALIGNÉ AVEC L'ANGLE ENTIER VOULU SUR L'ÉCHELLE À ONGLETS (ONGLET DROIT À 24°)

LE REPÈRE MICROMÉTRIQUE DE 1/4° S'ALIGNÉ AVEC LE REPÈRE DE DEGRÉ ENTIER LE PLUS PRÈS SUR L'ÉCHELLE À ONGLETS (ONGLET DROIT DE 24,5°)

3. Pour régler le quart de degré restant, presser le dispositif de blocage du bras d'onglet, puis déplacer le bras à DROITE de manière à ce que le repère du vernier pour \_ degré s'aligne avec le repère du degré LE PLUS PRÈS de l'échelle à onglets. Dans cet exemple, le repère du degré le plus près sur l'échelle à onglets se trouve être celui de 25°. La figure 16 montre un réglage d'onglet de 24,5° à droite.

Pour le réglage des degrés partiels (1/4, 1/2, 3/4°), aligner le repère de vernier avec le repère du degré le plus près sur l'échelle à onglets, comme il est indiqué ci-après. (La plaque en plastique de l'échelle à vernier affiche les repères inscrits pour les 1/4, 1/2, 3/4 et 1°. Seuls, les 1/2 et 1° présentent un numéro.)

## POUR L'ASSEMBLAGE EN ONGLET À DROITE

Pour augmenter l'angle d'onglets durant l'assemblage en onglet à droite, déplacer le bras de manière à aligner le repère micrométrique avec le repère le plus près sur l'échelle à onglets, à droite. Pour réduire l'angle d'onglets durant l'assemblage en onglet à droite, déplacer le bras de manière à aligner le bon repère micrométrique avec le repère le plus près sur l'échelle à onglets, à gauche.

## POUR L'ASSEMBLAGE EN ONGLET À GAUCHE

Pour augmenter l'angle d'onglets durant l'assemblage en onglet à gauche, déplacer le bras de manière à aligner le bon repère micrométrique avec le repère le plus près sur l'échelle à onglets, à gauche. Pour réduire l'angle d'onglet durant l'assemblage en onglet à gauche, déplacer le bras de manière à aligner le bon repère micrométrique avec le repère le plus près sur l'échelle à onglets, à droite.

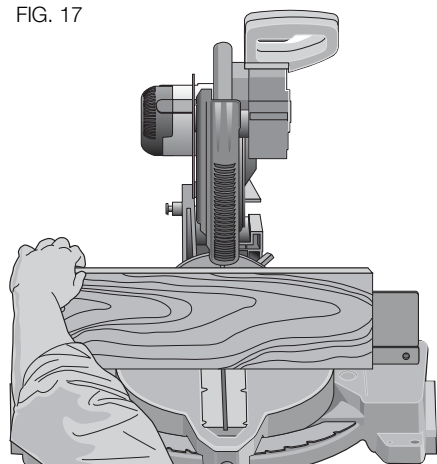
## DÉCOUPE DE MOULURES D'EMBASE

TOUJOURS EFFECTUER UN ESSAI À BLANC SANS ALIMENTATION AVANT D'ENTAMER TOUTE COUPE.

Coupes droites à 90 ° :

Placer le bois contre le guide et le maintenir en place comme il est illustré à la figure 17. Mettre la scie en marche, laisser la lame atteindre son plein régime et abaisser doucement le bras dans la coupe

FIG. 17



## COUPE DE MOULURES D'EMBASE D'UNE ÉPAISSEUR MAXIMALE DE 152 mm (6 PO)

### À LA VERTICALE, CONTRE LE GUIDE

Placer le matériau comme il est illustré à la figure 17.

Toutes les coupes doivent être réalisées de manière à ce que l'arrière de la moulure soit contre le guide et la base de la moulure contre la base.

#### COIN INTÉRIEUR:

Côté gauche

1. Onglet gauche à 45 °
2. Conservez le côté gauche de la coupe

Côté droit

1. Onglet droit à 45 °
2. Conservez le côté droit de la coupe

#### COIN EXTÉRIEUR:

Côté gauche

1. Onglet droit à 45 °
2. Conservez le côté gauche de la coupe

Côté droit

1. Onglet gauche à 45 °
2. Conservez le côté droit de la coupe

Tout matériau d'une épaisseur maximale de 152 mm (6 po) peut être coupé comme il est indiqué ci-dessus

## DÉCOUPE DE MOULURE COURONNÉE

La scie à onglets est mieux adaptée à la tâche de découpe de moulures couronnées qu'aucun autre outil. Afin de s'ajuster correctement, les moulures couronnées doivent être découpées à onglets mixtes avec une précision extrême.

Les deux surfaces plates d'un morceau de moulure couronnée donné sont à des angles dont la somme est exactement de 90 °. La majorité, mais non la totalité, des moulures couronnées ont un angle arrière supérieur (la section qui s'adapte à plat contre le plafond) de 52 ° et un angle arrière inférieur (la partie qui s'adapte à plat contre le mur) de 38 °.

La scie à onglets comporte des points de loquet d'onglet prédéfinis à 31,62 ° à gauche et à droite pour découper des moulures couronnées à l'angle adéquat, et des cliquets de butée de biseau à 33,9 ° à gauche et à droite. L'échelle de biseau comprend aussi un repère à 33,9 °.

Le tableau de **Réglage du biseau/Type de coupe** présente les paramètres corrects pour couper une moulure couronnée. (Les chiffres donnés pour les réglages de l'onglet et du biseau sont très précis et ne sont pas faciles à régler précisément sur la scie). Comme les angles de la plupart de pièces ne sont pas exactement de 90 °, il vous faudra dans tous les cas ajuster vos réglages.

### IL EST EXTRÊMEMENT IMPORTANT D'EFFECTUER DES TESTS PRÉLIMINAIRES SUR DES CHUTES DE MOULURE !

#### DIRECTIVES POUR LA COUPE DE MOULURES COURONNÉES REPOSANT À PLAT ET L'UTILISATION DES FONCTIONS MIXTES :

1. Moulure dont la large surface arrière est à plat sur la table à scier (figure 18).
2. Les réglages ci-dessous s'appliquent aux moulures couronnées standard (É-U) présentant des angles de 52 ° et 38 °.

#### RÉGLAGE DU TYPE DE COUPE BISEAU

	CÔTÉ GAUCHE, COIN INTÉRIEUR:
33,9 °	1. Partie supérieure de la moulure contre le guide 2. Table d'onglet définie à 31,62 ° 3. Conserver le côté gauche de la coupe
	CÔTÉ DROIT, COIN INTÉRIEUR:
33,9 °	1. Partie inférieure de la moulure contre le guide 2. Table d'onglet définie à gauche, à 31,62 ° 3. Conserver le côté gauche de la coupe
	CÔTÉ GAUCHE, COIN EXTÉRIEUR
33,9 °	1. Partie inférieure de la moulure contre le guide 2. Table d'onglet définie à gauche, à 31,62 ° 3. Conserver le côté droit de la coupe
	CÔTÉ DROIT, COIN EXTÉRIEUR:
33,9 °	1. Partie supérieure de la moulure contre le guide 2. Table d'onglet définie à 31,62 ° 3. Conserver le côté droit de la coupe

Lors du réglage d'onglet et de biseau pour tous les onglets mixtes, ne pas oublier que :

les angles présentés pour les mouleurs couronnés sont très précis et difficiles à régler de manière exacte. Puisqu'ils peuvent facilement se décaler légèrement et que très peu de pièces présentent des angles exactement droits, tous les réglages doivent être testés auparavant sur des chutes de mouleurs.

**IL EST EXTRÊMEMENT IMPORTANT D'EFFECTUER DES TESTS PRÉLIMINAIRES SUR DES CHUTES DE MOULURE !**

**MÉTHODE ALTERNATIVE DE DÉCOUPE DE MOULURES COURONNÉES**

Mettre la mouleur sur la table, selon un angle donné entre le guide et la table de scie, comme le montre la figure 18A. Nous recommandons vivement l'utilisation de l'accessoire (DW7084) de guide pour mouleur couronné en raison de son degré de précision et de sa commodité. Cet accessoire est disponible auprès du distributeur de votre région.

Avec cette méthode de découpe de mouleur couronné, aucune coupe biseautée n'est requise. Des modifications minimales peuvent être apportées à l'angle d'onglets sans modifier l'angle de biseau. Ainsi, en cas de coins autres qu'à 90°, il est possible de régler rapidement et facilement la scie en conséquence. Utiliser l'accessoire de guide pour mouleurs couronnés afin de conserver l'angle que formera la mouleur avec le mur.

**DIRECTIVES POUR LA DÉCOUPE DE MOULURES COURONNÉES MISES EN ANGLE ENTRE LE GUIDE ET LA BASE DE LA SCIE POUR TOUTES LES COUPES :**

1. Faire pivoter la mouleur de sorte que sa partie inférieure (celle qui sera adossée au mur lors de l'installation) se trouve contre le guide et que sa partie supérieure repose sur la base de la scie, comme il est illustré à la figure 17A.
2. Les parties plates formant un angle à l'arrière de la mouleur doivent bien reposer sur le guide et la base de la scie.

**COIN INTÉRIEUR :**

Côté gauche

1. Onglet droit à 45°
2. Conserver le côté droit de la coupe

Côté droit

1. Onglet gauche à 45°
2. Conserver le côté gauche de la coupe

**COIN EXTÉRIEUR :**

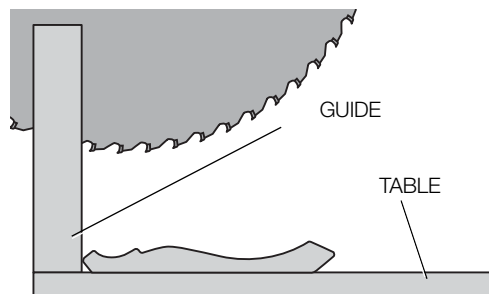
Côté gauche

1. Onglet gauche à 45°
2. Conserver le côté droit de la coupe

Côté droit

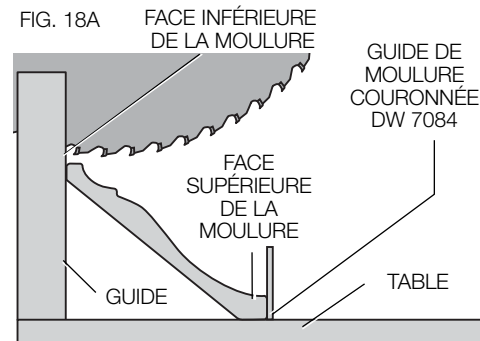
1. Onglet droit à 45°
2. Conserver le côté gauche de la coupe

FIG. 18



MOULURE COURONNÉE À PLAT SUR LA TABLE ET CONTRE LE GUIDE

FIG. 18A



MOULURE COURONNÉE ENTRE GUIDE ET TABLE

FIG. 19

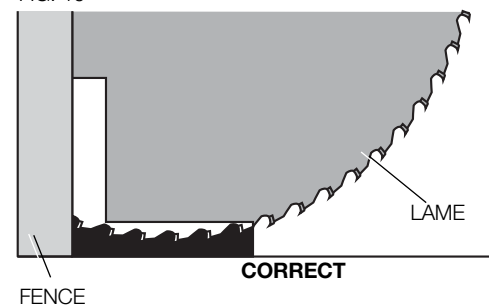
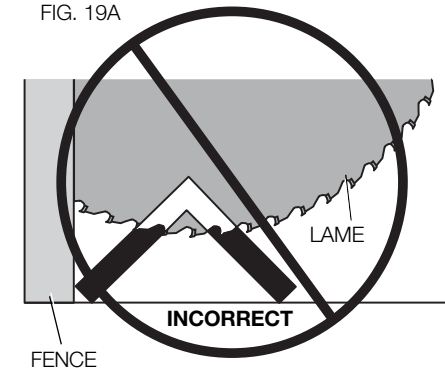


FIG. 19A



**Découpes spéciales**

**NE JAMAIS EFFECTUER DE DÉCOUPE SI LE MATÉRIAU N'EST PAS MAINTENU EN PLACE SUR LA TABLE ET CONTRE LE GUIDE.**

**DÉCOUPE D'ALUMINIUM**

TOUJOURS UTILISER DES LAMES DE SCIE APPROPRIÉES SPÉCIALEMENT CONÇUES POUR LA DÉCOUPE D'ALUMINIUM. Elles sont disponibles auprès du détaillant DEWALT de votre région ou d'un centre de réparation DEWALT. À cause de leur taille, de leur forme ou de l'aspect de leur surface, certaines pièces peuvent nécessiter l'utilisation de pinces ou de fixations pour éviter tout mouvement durant la découpe. Positionner le matériel de telle sorte que la section transversale la plus fine sera coupée, tel qu'il est illustré à la figure 19. La figure 19A illustre la mauvaise manière de couper ces extrusions. Utiliser un lubrifiant de coupe en cire, en bâton, pour la coupe d'aluminium. Appliquer directement le lubrifiant de coupe en

cire en bâton sur la lame de scie avant d'entamer l'opération de coupe. Ne jamais appliquer de cire en bâton sur une lame en mouvement.

La cire est disponible auprès de la majorité des quincailleries et des magasins de fourniture en minoteries; elle apporte une lubrification adaptée et empêche les copeaux d'adhérer à la lame.

Veillez à bien fixer la pièce.

Consulter **Lames de Scie** sous **Accessoires Facultatifs** pour connaître les lames de scie appropriées.

**MATÉRIAU ARQUÉ**

Pour la coupe de matériau arqué, toujours le positionner comme le montre la figure 20 et non comme le montre la figure 20A. Le fait de mal positionner le matériau entraînera le pincement de la lame près de la fin de la coupe.

**DÉCOUPE DE TUYAU EN PLASTIQUE OU D'AUTRE MATÉRIAU ROND**

Il est facile de couper des tuyaux en plastique avec la scie. Il faut les couper exactement de la même manière que du bois et **LES SERRER OU LES MAINTENIR FERMEMENT CONTRE LE GUIDE POUR LES EMPÊCHER DE**



**ROULER.** Cela est extrêmement important lors de découpes en angle.

### COUPE DE GRANDS MATÉRIAUX

Occasionnellement, vous rencontrerez une pièce de bois un peu trop grande pour rentrer sous le dispositif de protection de lame. Si c'était le cas, placez simplement votre pouce droit sur le côté supérieur du dispositif de protection inférieur de lame et poussez le dispositif vers le haut juste assez pour qu'il ne touche pas la pièce à travailler, comme illustré en figure 21. Relâchez le dispositif de protection inférieur de lame avant de remettre la scie en marche et de démarrer la coupe. Éviter de procéder ainsi autant que possible, mais s'il le faut, la scie fonctionnera bien et réalisera une plus grosse coupe. **NE JAMAIS ATTACHER, COLLER NI FIXER LE PARE-MAIN DE MANIÈRE À LE MAINTENIR OUVERT DURANT L'UTILISATION DE CETTE SCIE. NE JAMAIS ÉLEVER LE CARTER INFÉRIEUR MANUELLEMENT SI LA LAME N'EST PAS À L'ARRÊT COMPLET.**

### CONFIGURATION SPÉCIALE POUR LES COUPES TRANSVERSALES LARGES

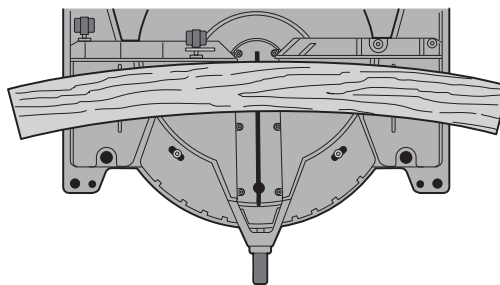
La scie peut couper des pièces très larges [jusqu'à 406 mm (10 po)] en utilisant une configuration spéciale. Pour ce faire, suivre la procédure suivante :

1. Retirer les guides coulissants gauche et droit de la scie et les mettre à l'écart. Pour les retirer, dévisser de plusieurs tours les poignées de guide et faire glisser chaque guide vers l'extérieur. Régler et bloquer la commande d'onglet de telle sorte qu'elle indique un onglet de 0°.
2. Façonner une plate-forme à l'aide d'une pièce de 38 mm (1,5 po) d'aggloméré épais ou d'un morceau de bois plat similaire de 38 mm d'épaisseur aux dimensions suivantes : 254 x 610 mm (10 x 24 po). La plate-forme doit être plane afin que le matériau ne puisse se déplacer durant la découpe et causer des blessures.
3. Monter la plate-forme de 254 mm x 610 mm (10 po x 24 po) sur la scie au moyen de quatre vis à bois de 76 mm (3 po) entraînées dans les trous du guide de base (figure 22). Il faut utiliser quatre vis pour fixer le matériau de manière adéquate. Lors de l'utilisation de cette configuration spéciale, la plate-forme sera coupée en deux morceaux. S'assurer que les vis sont bien serrées pour éviter que le matériau ne se desserre et puisse causer des blessures. .

**⚠AVERTISSEMENT :** S'assurer que la scie est fermement fixée sur une surface plane et stable. Négliger de le faire risque de provoquer l'instabilité ou la chute de la scie et de causer des blessures corporelles.

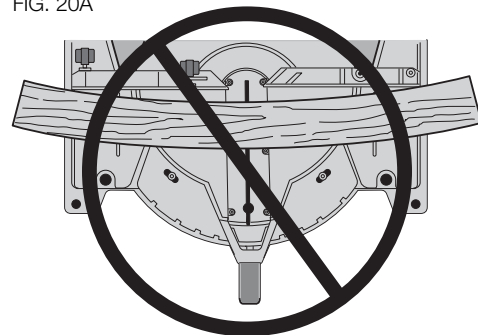
4. Placer la pièce à couper sur la plate-forme fixée sur la table. S'assurer que la pièce repose fermement contre le guide arrière (figure 22).
5. Fixer le matériau avant de le couper. Couper lentement le matériau. Négliger de bien serrer la pièce ou de couper lentement pourrait faire desserrer le matériau et causer des blessures.

FIG. 20



**CORRECT**

FIG. 20A



**INCORRECT**

FIG. 21

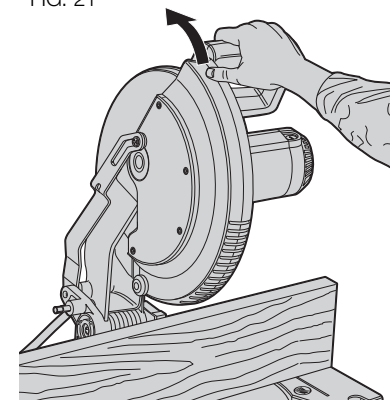
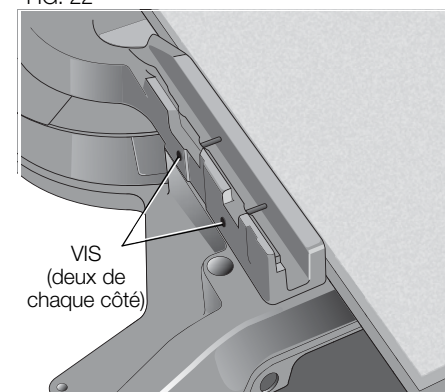


FIG. 22



VIS  
(deux de  
chaque côté)

Après plusieurs coupes à des angles d'onglet autres que 0°, il se peut que la plate-forme s'affaiblisse et ne soutienne plus correctement la pièce. Installer alors sur la scie une plate-forme neuve après avoir préréglé l'angle d'onglet souhaité.

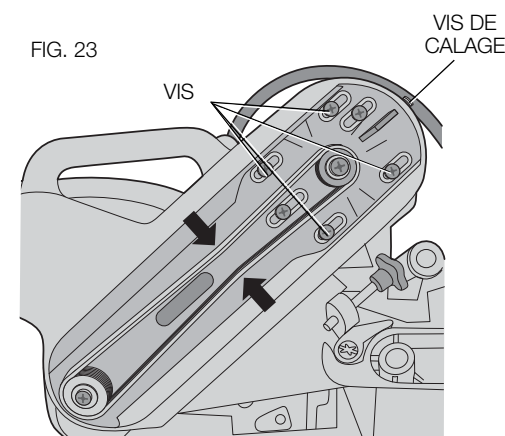
**⚠ATTENTION :** L'utilisation continue d'une plate-forme contenant plusieurs traits de scie peut entraîner une perte de maîtrise du matériau et des blessures.

### Dépose et remplacement de la courroie

La courroie est conçue pour durer pendant toute la vie de l'outil. Une mauvaise utilisation de l'outil pourrait cependant entraîner une défaillance de courroie.

Si la lame ne tourne pas alors que le moteur fonctionne, la courroie est en panne. Pour inspecter ou remplacer la courroie, retirer les vis du couvercle de la courroie. Retirer le couvercle de la courroie. Inspecter les nervures de la courroie en recherchant des signes d'usure ou de panne. Vérifier la tension de la courroie en la serrant comme il est illustré à la figure 23. Les moitiés de la courroie devraient presque se toucher si elles sont serrées fermement entre le pouce et l'index.

FIG. 23



VIS

VIS DE  
CALAGE

Pour régler la tension, desserrer, mais sans les retirer, les quatre vis cruciformes indiquées. Faire ensuite pivoter la vis de calage située au sommet du moulage de la plaque du moteur jusqu'à atteindre la tension adéquate. Bien serrer les quatre vis et replacer le couvercle de la courroie.

**REMARQUE :** Un serrage trop important de la courroie pourrait entraîner une panne de moteur prématurée.

## ENTRETIEN

**⚠️ AVERTISSEMENT :** pour réduire le risque de blessures, éteindre l'appareil et le débrancher avant d'installer ou de retirer tout accessoire et avant d'effectuer des réglages ou des réparations. Un démarrage accidentel peut provoquer des blessures.

N'employez pas les lubrifiants ou les décapants (en particulier jet ou aérosol) à proximité de la garde de plastique. La matière de polycarbonate employée dans la garde est sujette à l'attaque par certains produits chimiques.

1. Tous les roulements sont scellés. Ils sont lubrifiés à vie et n'ont besoin d'aucun entretien supplémentaire.
2. Retirer régulièrement toute la poussière et tous les copeaux de bois situés autour ET SOUS la base et la table rotative. Même si des emplacements sont prévus pour permettre l'évacuation de débris, de la poussière s'accumule.
3. Les brosses sont conçues pour durer plusieurs années. Si elles ont besoin d'être remplacées, suivez les instructions sous **Brosses** ou retournez l'outil au centre de service le plus proche pour réparation. Une liste des centres de réparation est livrée avec l'outil.

## Entretien de la lampe de travail

Pour une performance optimale de la lampe de travail, effectuer l'entretien suivant régulièrement.

- Enlever soigneusement la sciure et les débris de la lentille de la lampe de travail avec un coton-tige.
- NE PAS utiliser de solvants, car ils risquent d'endommager la lentille.
- L'accumulation de poussière peut bloquer la lampe de travail et l'empêcher d'indiquer précisément le trait de coupe.
- Suivre le mode d'emploi de la scie à onglets pour enlever et poser la lame.
- La lame étant enlevée de la scie, enlever toute résine naturelle et accumulation de la lame. La résine et les débris peuvent nuire à la lampe de travail et l'empêcher d'indiquer précisément le trait de coupe.

## Information sur les réparations ou l'entretien

Avoir en main les informations suivantes pour tous les appels concernant une réparation ou un entretien :

Numéro du modèle \_\_\_\_\_ Type \_\_\_\_\_

Numéro de série \_\_\_\_\_

Date et lieu de l'achat \_\_\_\_\_

## Réparations

Pour garantir la SÉCURITÉ et la FIABILITÉ du produit, les réparations, l'entretien et le réglage (y compris l'inspection et le remplacement du balai) doivent être réalisés par un centre de réparation autorisé ou tout autre centre de réparation professionnel, et des pièces de rechange identiques doivent être utilisées.

## Registre en ligne

Merci pour votre achat. Enregistrez dès maintenant votre produit:

- **RÉPARATIONS SOUS GARANTIE:** cette carte remplie vous permettra de vous prévaloir du service de réparations sous garantie de façon plus efficace dans le cas d'un problème avec le produit.
- **CONFIRMATION DE PROPRIÉTÉ:** en cas de perte provoquée par un incendie, une inondation ou un vol, cette preuve de propriété vous servira de preuve auprès de votre compagnie d'assurances.
- **SÉCURITÉ:** l'enregistrement de votre produit nous permettra de communiquer avec vous dans l'éventualité peu probable de l'envoi d'un avis de sécurité régi par la loi fédérale américaine de la protection des consommateurs.

Registre en ligne à [www.dewalt.com/register](http://www.dewalt.com/register).

## Garantie limitée de trois ans

DEWALT réparera, sans frais, tout produit défectueux causé par un défaut de matériel ou de fabrication pour une période de trois ans à compter de la date d'achat. La présente garantie ne couvre pas les pièces dont la défectuosité a été causée par une usure normale ou l'usage abusif de l'outil. Pour obtenir de plus amples renseignements sur les pièces ou les réparations couvertes par la présente garantie, visiter le site [www.dewalt.com](http://www.dewalt.com) ou composer le 1 800 433-9258 (1 800 4-DEWALT). Cette garantie ne s'applique pas aux accessoires et ne vise pas les dommages causés par des réparations effectuées par un tiers. Cette garantie confère des droits légaux particuliers à l'acheteur, mais celui-ci pourrait aussi bénéficier d'autres droits variant d'un état ou d'une province à l'autre.

En plus de la présente garantie, les outils DEWALT sont couverts par notre :

### CONTRAT D'ENTRETIEN GRATUIT D'UN AN

DEWALT entretiendra l'outil et remplacera les pièces usées au cours d'une utilisation normale et ce, gratuitement, pendant une période d'un an à compter de la date d'achat.

## GARANTIE DE REMBOURSEMENT DE 90 JOURS

Si l'acheteur n'est pas entièrement satisfait, pour quelque raison que ce soit, du rendement de l'outil électrique, du laser ou de la cloueuse DEWALT, celui-ci peut le retourner, accompagné d'un reçu, dans les 90 jours à compter de la date d'achat pour obtenir un remboursement intégral, sans aucun problème.

**AMÉRIQUE LATINE :** cette garantie ne s'applique aux produits vendus en Amérique latine. Pour ceux-ci, veuillez consulter les informations relatives à la garantie spécifique présente dans l'emballage, appeler l'entreprise locale ou consulter le site Web pour les informations relatives à cette garantie.

## REPLACEMENT GRATUIT DES ÉTIQUETTES

**D'AVERTISSEMENT :** si les étiquettes d'avertissement deviennent illisibles ou sont manquantes, composer le 1 800 433-9258 (1 800 4-DEWALT) pour en obtenir le remplacement gratuit.

En ce qui concerne les étiquettes, veuillez vous reporter au début de ce manuel.

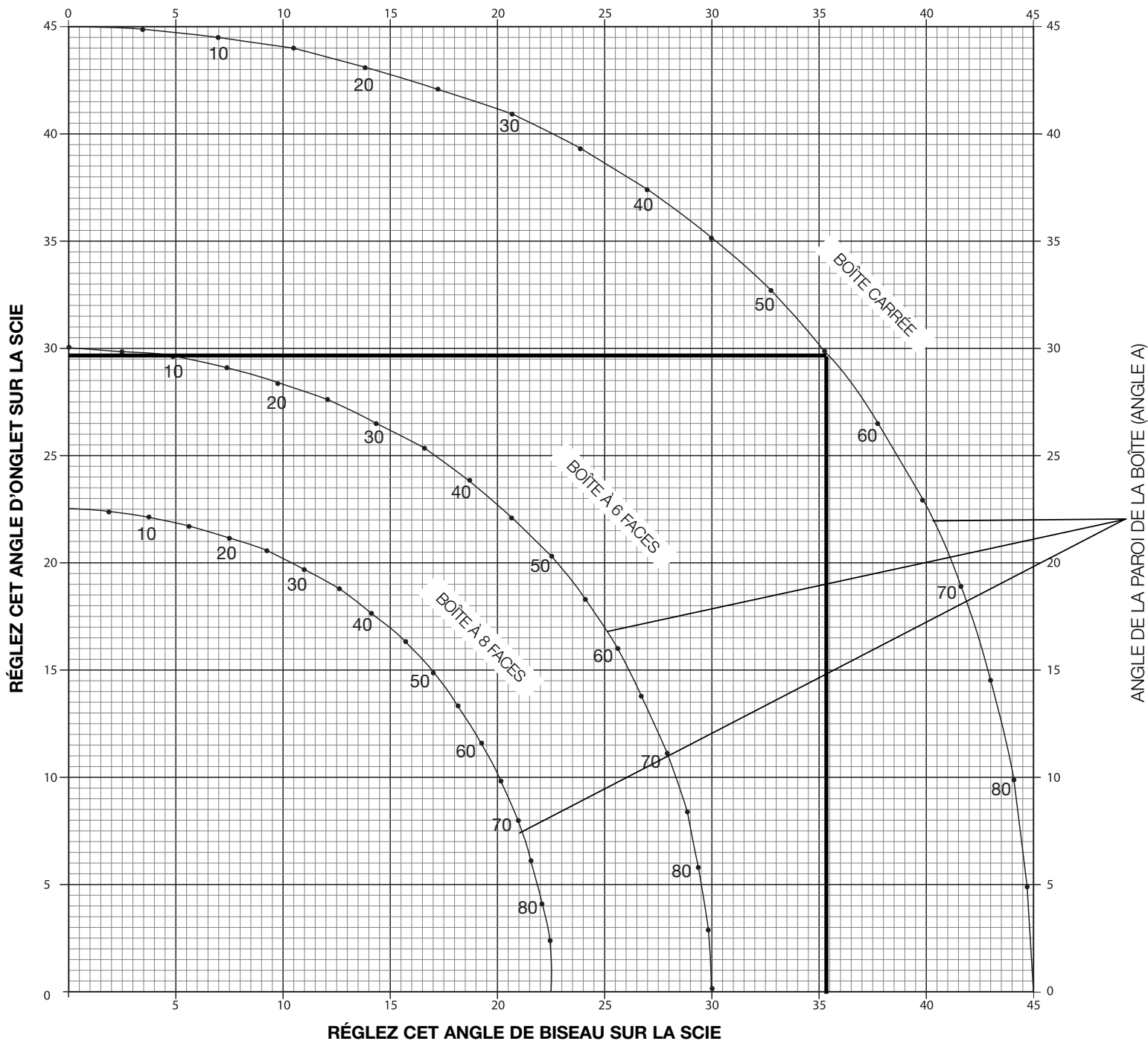
## Guide de dépannage

### VEILLEZ À SUIVRE LES RÈGLES ET CONSIGNES DE SÉCURITÉ

PROBLÈME!	QUEL EST LE PROBLÈME?	QUE FAIRE...
<b>La scie ne démarre pas</b>	1. Scie non branchée	1. Branchez la scie.
	2. Fusible grillé ou disjoncteur déclenché	2. Remplacez le fusible ou réinitialisez le disjoncteur.
	3. Cordon endommagé	3. Faites remplacer le cordon par un centre de service agréé.
	4. Brosses usées	4. Faites remplacer les brosses par un centre de service agréé ou remplacez-les vous-même. Consulter <b>Brosses</b> .
<b>Les découpes effectuées par la scie ne sont pas satisfaisantes</b>	1. Lame émoussée	1. Remplacez la lame. Consulter <b>Changement Ou Pose D'une Nouvelle Lame De Scie</b> .
	2. Lame montée à l'envers	2. Renvoiez la lame. Consulter <b>Changement Ou Pose D'une Nouvelle Lame De Scie</b> .
	3. Gomme ou résine sur la lame	3. Retirez la lame et nettoyez-la à l'aide de térébenthine et de laine d'acier grossière ou de produit domestique de nettoyage de four.
	4. Lame inadéquate pour le travail effectué	4. Changez de type de lame. Consulter <b>Lames de Scie</b> sous <b>Accessoires</b> .
<b>La lame n'atteint pas son plein régime</b>	1. La rallonge est trop légère ou trop longue	1. Remplacez-la par une rallonge de taille adéquate. Consulter <b>Calibre Minimal Pour Rallonge</b> sous <b>Consignes de Sécurité Importantes</b> .
	2. Courant domestique trop bas	2. Contactez votre fournisseur d'électricité.
<b>Lascie vibre démesurément</b>	1. La scie n'est pas correctement fixée sur le tréteau ou l'établi	1. Vissez bien tout le matériel d'assemblage. Consulter <b>Montage Sur Établi</b> .
	2. Le tréteau ou l'établi est sur un sol irrégulier	2. Repositionnez-le sur une surface plane. Consulter <b>Familiarisation</b> .
	3. Lame de scie endommagée	3. Remplacez la lame. Consulter <b>Changement Ou Pose D'une Nouvelle Lame De Scie</b> .
<b>Lascie ne coupe pas bien les onglets</b>	1. L'échelle d'onglet n'est pas correctement réglée	1. Vérifiez et ajustez. Consulter <b>Réglage D'échelle D'onglet</b> sous <b>Réglages</b> .
	2. L'échelle à onglets n'est pas correctement réglée	2. Vérifiez et ajustez. Consulter <b>Réglage du Pointeur d'onglet</b> sous <b>Réglages</b> .
	3. La lame n'est pas perpendiculaire à la table	2. Vérifiez et ajustez le guide. Consulter <b>Réglage Du Guide</b> sous <b>Réglages</b> .
	4. La pièce à découper se déplace	4. Fixez-la au guide ou collez du papier abrasif de calibre 120 sur le guide à l'aide de colle de caoutchouc
<b>Le matériau pince la lame</b>	1. Découpe de matériau arqué	1. Consulter <b>Matériau Arqué</b> sous <b>Découpes Spéciales</b> .

**TABLEAU 1 COUPE À ONGLET MIXTE**

(POSITIONNEZ LE MORCEAU DE BOIS AVEC LE LARGE CÔTÉ PLAT CONTRE LA TABLE ET L'ARÊTE ÉTROITE CONTRE LE GUIDE.)





### Definiciones: Normas de seguridad

Las siguientes definiciones describen el nivel de gravedad de cada advertencia. Lea el manual y preste atención a estos símbolos.

▲ **PELIGRO:** Indica una situación de peligro inminente que, si no se evita, **provocará la muerte o lesiones graves.**

▲ **ADVERTENCIA:** Indica una situación de peligro potencial que, si no se evita, **podría provocar la muerte o lesiones graves.**

▲ **ATENCIÓN:** Indica una situación de peligro potencial que, si no se evita, **puede provocar lesiones leves o moderadas.**

**AVISO:** Se refiere a una práctica **no relacionada a lesiones corporales** que de no evitarse **puede resultar en daños a la propiedad.**

SI TIENE ALGUNA DUDA O ALGÚN COMENTARIO SOBRE ÉSTA U OTRA HERRAMIENTA DEWALT, LLÁMENOS AL NÚMERO GRATUITO: **1-800-4-DEWALT (1-800-433-9258).**

### INSTRUCCIONES DE SEGURIDAD IMPORTANTES



**ADVERTENCIA:** Al utilizar herramientas eléctricas, siempre se deben tomar ciertas precauciones básicas de seguridad para minimizar el riesgo de incendio, descarga eléctrica y lesiones personales.

### CONSERVE TODAS LAS ADVERTENCIAS E INSTRUCCIONES PARA FUTURAS CONSULTAS

#### Doble aislamiento

Las herramientas con aislamiento doble se construyen en todas partes con dos capas separadas de aislamiento eléctrico, o una sola capa de aislamiento reforzado, entre el operador y el sistema eléctrico de la herramienta. Las herramientas fabricadas con este sistema de aislamiento no requieren conexión a tierra. En consecuencia, esta herramienta está equipada con un enchufe de dos conectores que le permite utilizar cables prolongadores sin tener que preocuparse por mantener la conexión a tierra.

**NOTA:** El aislamiento doble no implica que no se deban tomar las medidas de seguridad normales al operar esta herramienta. El sistema de aislamiento secundario supone una protección contra lesiones ocasionadas por una posible falla del aislamiento eléctrico primario dentro de la herramienta.

▲ **ATENCIÓN:** AL REPARAR, SÓLO UTILICE PIEZAS DE REPUESTO IDÉNTICAS A LAS ORIGINALES. Repare o reemplace los cables dañados.

#### Enchufes polarizados

Los enchufes polarizados (una pata es más ancha que la otra) se utilizan en los equipos para reducir el riesgo de descarga eléctrica. Este enchufe se ajusta al tomacorriente polarizado de una sola manera. Si el enchufe no se ajusta totalmente al tomacorriente, invierta el enchufe. Si aun así no se ajusta bien, recurra a un electricista calificado para que instale un tomacorriente adecuado. No cambie el enchufe de ninguna manera.

#### Instrucciones De Seguridad Para Todas Las Herramientas

▲ **ADVERTENCIA:** Para reducir el riesgo de lesiones oculares, **SIEMPRE** utilice protección ocular al operar la sierra ingletadora.

- **MANTENGA EL PROTECTOR INSTALADO ADECUADAMENTE** y en funcionamiento.
- **RETIRE LAS LLAVES DE AJUSTE Y LLAVES DE TUERCAS.** Acostúmbrese a verificar que se hayan retirado del eje las llaves de ajuste y las llaves de tuercas antes de encender la herramienta. Las herramientas, las piezas de descarte y otro tipo de desechos pueden salir despedidos a alta velocidad y provocar lesiones.

- **MANTENGA LIMPIA EL ÁREA DE TRABAJO.** Los espacios y los bancos de trabajo abarrotados propician accidentes.
  - **NO UTILICE LA MÁQUINA EN LUGARES PELIGROSOS.** El uso de herramientas eléctricas en lugares húmedos o mojados o bajo la lluvia puede provocar descargas eléctricas o electrocución. Mantenga su área de trabajo bien iluminada para evitar tropezones o poner en peligro brazos, manos y dedos.
  - **MANTENGA A LOS NIÑOS ALEJADOS.** Los visitantes deben mantenerse a una distancia segura del área de trabajo. Su taller es un lugar potencialmente peligroso.
  - **PROCURE QUE SU TALLER SEA A PRUEBA DE NIÑOS;** coloque candados e interruptores maestros, o retire las llaves que accionan las herramientas. Si un niño o un visitante enciende una máquina sin autorización, podría producirle lesiones.
  - **NO FUERCE LA HERRAMIENTA.** Funcionará mejor y será más segura si la utiliza a la velocidad para la que fue diseñada.
  - **UTILICE LA HERRAMIENTA ADECUADA.** No fuerce la herramienta o los accesorios para realizar tareas para las que no fueron diseñados. Usar la herramienta o el accesorio incorrecto puede causar lesiones personales.
  - **UTILICE INDUMENTARIA ADECUADA.** No utilice ropa holgada, guantes, corbatas, anillos, pulseras u otras alhajas que puedan quedar atrapadas entre las piezas móviles. Se recomienda el uso de calzado antideslizante. Recójase y cubra el cabello largo. Los orificios de ventilación pueden cubrir piezas en movimiento, por lo que también se deben evitar.
  - **SIEMPRE USE LENTES DE SEGURIDAD.** Los anteojos de uso diario NO son lentes de seguridad. Utilice también máscaras faciales o para polvo si los cortes producen polvillo.
- UTILICE SIEMPRE EQUIPOS DE SEGURIDAD CERTIFICADOS:**
- Protección para los ojos según la norma ANSI Z87.1 (CAN/CSA Z94.3)
  - Protección auditiva según la norma ANSI S12.6 (S3.19)
  - Protección respiratoria según las normas NIOSH/OSHA/MSHA
- **ASEGURE LA PIEZA DE TRABAJO.** Utilice abrazaderas o un tornillo de banco para sujetar la pieza de trabajo a la mesa y contra la guía, o si su mano corre peligro al estar cerca de la hoja (a menos de 152 mm [6"]). Es más seguro que utilizar su mano y puede entonces utilizar ambas manos para operar la herramienta.
  - **NO SE ESTIRE.** Conserve el equilibrio y párese adecuadamente en todo momento. La pérdida del equilibrio podría provocar una lesión personal.
  - **CONSERVE LAS HERRAMIENTAS ADECUADAMENTE.** Mantenga las herramientas afiladas y limpias para obtener el mejor y más seguro rendimiento. Siga las instrucciones para lubricar y cambiar los accesorios. Las herramientas y las máquinas que carecen de un mantenimiento adecuado pueden dañar aún más la herramienta o máquina o causar lesiones.
  - **APAGUE LA MÁQUINA Y DESCONÉCTELA DE LA FUENTE DE ALIMENTACIÓN** antes de instalar o quitar los accesorios, antes de ajustar o cambiar las configuraciones, cuando haga reparaciones o cambie la máquina de lugar. Un arranque accidental podría causar lesiones. No toque las patas de metal del enchufe al enchufar o desenchufar el cable.
  - **REDUZCA EL RIESGO DE ENCENDIDO ACCIDENTAL.** Asegúrese de que el interruptor esté en la posición "OFF" (de apagado) antes de enchufar el cable de alimentación.
  - **UTILICE EL CABLE PROLONGADOR APROPIADO.** Asegúrese de que el cable prolongador esté en buenas condiciones. Cuando utilice un cable prolongador, cerciórese de que tenga la capacidad para conducir la corriente que su producto exige. Un cable de menor capacidad provocará una disminución en el voltaje de la línea, lo cual producirá una pérdida de potencia y sobrecalentamiento. La siguiente tabla muestra la medida correcta que debe utilizar según la longitud del cable y la capacidad nominal en amperios indicada en la placa. En caso de duda, utilice el calibre inmediatamente superior. Cuanto menor es el número de calibre, más grueso es el cable.

Calibre mínimo para juegos de cables						
Capacidad nominal en amperios		Voltios	Largo total del cable en metros (en pies)			
		120 V	7,6 (25)	15,2 (50)	30,5 (100)	45,7 (150)
		240 V	15,2 (50)	30,5 (100)	61,0 (200)	91,4 (300)
Desde	Hasta	AWG				
0	6		18	16	16	14
6	10		18	16	14	12
10	12		16	16	14	12
12	16		14	12	No recomendado	

- **VERIFIQUE QUE NO HAYA PIEZAS DAÑADAS.** Antes de volver a utilizar la herramienta, se deben controlar cuidadosamente las guardas o cualquier otra pieza dañada para asegurar el funcionamiento y el rendimiento apropiados de la herramienta en la aplicación deseada. Verifique la unidad para comprobar la alineación de las piezas móviles, si hay piezas dañadas, bloqueos o cualquier otra situación que pueda afectar el funcionamiento de la herramienta. Las guardas u otras piezas dañadas deben ser correctamente reparados o reemplazados. No utilice la herramienta si no puede encenderla o apagarla con el interruptor.
- **UTILICE ACCESORIOS RECOMENDADOS.** Utilice sólo accesorios recomendados por el fabricante para el modelo que posee. Los accesorios que pueden ser aptos para una herramienta, pueden convertirse en un factor de riesgo cuando se utilizan en otra herramienta. Consulte el manual de instrucciones para obtener información acerca de los accesorios recomendados. La utilización de accesorios inadecuados puede ocasionar lesiones personales.
- **NUNCA SE PARE SOBRE LA HERRAMIENTA.** Si la herramienta se cae o alguien toca accidentalmente el elemento cortante, podrían producirse lesiones graves.
- **NUNCA DEJE LA HERRAMIENTA EN FUNCIONAMIENTO Y SIN ATENCIÓN. DESCONECTE LA ENERGÍA.** No suelte la herramienta hasta que no se haya detenido por completo. Puede causar lesiones graves.
- **NO OPERE HERRAMIENTAS ELÉCTRICAS CERCA DE LÍQUIDOS INFLAMABLES O EN ATMÓSFERAS GASEOSAS O EXPLOSIVAS.** Los motores de estas herramientas originan chispas que pueden encender los vapores.
- **MANTÉNGASE ALERTA, PONGA ATENCIÓN EN LO QUE ESTÁ HACIENDO Y USE EL SENTIDO COMÚN. NO UTILICE LA MÁQUINA SI ESTÁ CANSADO O BAJO EL EFECTO DE DROGAS O ALCOHOL.** Un momento de descuido al operar una herramienta eléctrica puede provocar lesiones.

## Normas de seguridad adicionales para las sierras ingletadoras

**⚠️ ADVERTENCIA:** No ignore las reglas de seguridad por estar familiarizado con la herramienta (debido al uso frecuente de su sierra). Recuerde siempre que un descuido de una fracción de segundo es suficiente para causar lesiones graves.

- **NO OPERE ESTA MÁQUINA** hasta que no esté armada e instalada completamente, según las instrucciones. Una máquina montada de manera incorrecta puede provocar lesiones graves.
- **SOLICITE EL ASESORAMIENTO** de su supervisor, su instructor o alguna persona calificada si no está familiarizado con el funcionamiento de esta máquina. El conocimiento garantiza la seguridad.
- **ESTABILIDAD.** Cerciórese de que la sierra para cortar ingletes esté sujeta a una superficie de apoyo y que no se deslice o mueva durante el uso.
- **RESPETE TODOS LOS CÓDIGOS DE CABLEADO** y las conexiones eléctricas recomendadas para prevenir los riesgos de descargas eléctricas o electrocución. Proteja

la línea de suministro eléctrico con al menos un disyuntor de 15 amperios o un fusible de acción retardada de 15 amperios.

- **ASEGÚRESE DE QUE LA HOJA** gire en la dirección correcta. Los dientes de la hoja deben apuntar en la dirección de giro como lo indica la sierra.
- **AJUSTE TODOS LOS MANGOS DE FIJACIÓN,** perillas y palancas antes de operar la herramienta. Si hay abrazaderas flojas, las piezas o la pieza de trabajo pueden salir disparadas a alta velocidad.
- **ASEGÚRESE DE QUE** todas las hojas y abrazaderas de las hojas estén limpias, que los lados embutidos de las abrazaderas de las hojas estén contra la hoja y que el tornillo del mandril esté bien ajustado. Si la hoja está floja o no está bien ajustada, puede dañar la sierra y provocar lesiones personales.
- **SIEMPRE UTILICE UNA HOJA AFILADA.** Verifique que la hoja se mueva correctamente y sin vibrar. Una hoja sin filo o con vibración puede dañar la máquina o provocar lesiones graves.
- **NO OPERE CON NINGÚN VOLTAJE DIFERENTE DE AQUEL PARA EL QUE FUE DISEÑADA** la sierra. Se pueden producir sobrecalentamiento, daños a la herramienta y lesiones personales.
- **NO TRABE EL VENTILADOR CON OBJETOS** para detener el eje del motor. La herramienta puede resultar dañada y se pueden producir posibles lesiones personales.
- **NO fuerce la acción de corte.** La parada total o parcial del motor puede provocar daños a la máquina o la hoja, además de lesiones graves.
- **HAGA FUNCIONAR EL MOTOR A TODA VELOCIDAD** antes de comenzar a cortar. Si comienza a cortar demasiado pronto, puede dañar la máquina o la hoja, además de provocar lesiones graves.
- **NUNCA CORTE METALES FERROSOS** (que contengan hierro o acero) o mampostería. Estos materiales pueden hacer saltar las puntas de carburo de la hoja a gran velocidad y causar lesiones graves.
- **NO UTILICE DISCOS ABRASIVOS.** El calor en exceso y las partículas abrasivas que estos discos generan pueden dañar la sierra y producir lesiones personales.
- **NUNCA** se ubique de modo que alguna parte del cuerpo quede en la misma línea que el trayecto de la hoja de la sierra. Se producirán lesiones graves.
- **NUNCA** aplique lubricante a una hoja en funcionamiento. Al aplicar el lubricante, la mano podría entrar en contacto con la hoja y se pueden producir lesiones graves.
- **NO** coloque las manos en el área de la hoja mientras la sierra esté conectada a la fuente de alimentación. El accionamiento involuntario de la hoja puede provocar lesiones graves.
- **NO REALICE OPERACIONES SIN UTILIZAR LAS MANOS** (cuando la pieza de trabajo no esté firmemente sujeta contra la guía y la mesa). Sostenga el trabajo firmemente contra la guía y la mesa. Las operaciones a pulso en una sierra ingletadora podrían hacer que la pieza de trabajo salga despedida a gran velocidad y provocar lesiones graves.
- **NUNCA SE ESTIRE ALREDEDOR** o por detrás de la hoja de la sierra. Una hoja puede provocar lesiones graves.
- **NO** intente alcanzar objetos debajo de la sierra, a menos que esté apagada y desenchufada. Si entra en contacto con la hoja puede sufrir lesiones personales.
- **FIJE LA MÁQUINA EN UNA SUPERFICIE DE APOYO ESTABLE.** La máquina podría deslizarse, moverse del lugar o volcarse debido a la vibración y causar lesiones graves.
- **UTILICE ÚNICAMENTE HOJAS PARA SIERRA DE CORTE TRANSVERSAL** que se recomiendan para el uso con sierra para cortar ingletes. Para conseguir los mejores resultados, no use hojas con punta de carburo con el ángulo de gancho superior a 7 grados. No utilice hojas con pasos profundos. Podrían entrar en contacto con la guarda y desviarla y de este modo dañar la máquina o provocar lesiones graves.

- **USE ÚNICAMENTE LAS HOJAS DEL TAMAÑO Y TIPO CORRECTOS** especificados para esta herramienta, a fin de prevenir daños a la máquina o lesiones graves.
- **REVISE QUE NO HAYA FISURAS EN LA HOJA** o cualquier otro daño antes de comenzar a trabajar. Es posible que una hoja con fisuras o dañada se parta; los pedazos pueden salir despedidos a alta velocidad y provocar lesiones graves. Reemplace las hojas con fisuras o dañadas inmediatamente.
- **LIMPIE LA HOJA Y LAS ABRAZADERAS DE DICHA HOJA** antes de comenzar a trabajar. La limpieza de la hoja y las abrazaderas de la hoja le permite verificar si la hoja o las abrazaderas se encuentran dañadas. Es posible que una hoja o abrazadera dañadas o con fisuras se partan y que los pedazos salgan despedidos a alta velocidad y provoquen lesiones graves.
- **NO** utilice lubricantes o limpiadores (especialmente pulverizadores o aerosoles) cerca de la guarda de plástico. El policarbonato utilizado para el protector puede ser corroído por ciertos productos químicos.
- **SIEMPRE UTILICE LA PLACA DE CORTE Y REEMPLÁCELA CUANDO ESTÉ DAÑADA.** La acumulación de astillas pequeñas debajo de la sierra puede interferir con la hoja de la sierra o provocar inestabilidad en la pieza de trabajo al realizar el corte.
- **UTILICE ÚNICAMENTE LAS ABRAZADERAS DE HOJA** especificadas para esta herramienta, a fin de prevenir daños a la máquina o lesiones graves.
- **LIMPIE LAS RANURAS DE AIRE DEL MOTOR**, quite las astillas y el aserrín. Cuando las ranuras de aire del motor están tapadas, la máquina puede recalentarse y, por consiguiente, dañarse y generar un cortocircuito que podría provocar lesiones graves.
- **MANTENGA LOS BRAZOS, LAS MANOS Y LOS DEDOS** lejos de la hoja para evitar cortes graves. Fije todas las piezas de trabajo que harían que la mano esté a 152 mm (6") de la hoja de la sierra.
- **NUNCA BLOQUEE EL INTERRUPTOR** en la posición "ON" (de encendido). Puede causar lesiones personales graves.
- **APAGUE LA MÁQUINA** y deje que la hoja se detenga completamente antes de levantar el brazo y antes de limpiar el área de la hoja, eliminar los desechos en el trayecto de la hoja, antes de realizar reparaciones o ajustes en la herramienta. Una hoja en movimiento puede provocar lesiones graves.
- **APOYE ADECUADAMENTE PIEZAS DE TRABAJO LARGAS O ANCHAS.** La pérdida del control de la pieza de trabajo puede causar lesiones.
- **NUNCA** cruce los brazos frente a la hoja mientras la herramienta está en funcionamiento. Siempre ensaye con la máquina apagada antes de realizar un corte de acabado para que pueda inspeccionar el trayecto de la hoja o, de otro modo, puede sufrir lesiones personales graves.
- **ENCONTRARÁ INFORMACIÓN ADICIONAL** disponible acerca de la operación correcta y segura de herramientas eléctricas (por ejemplo: un video de seguridad) en el Instituto de Herramientas Eléctricas (Power Tool Institute), 1300 Sumner Avenue, Cleveland, OH 44115-2851 ([www.powertoolinstitute.com](http://www.powertoolinstitute.com)). Además, encontrará información disponible en el Consejo Nacional de Seguridad (National Safety Council), 1121 Spring Lake Drive, Itasca, IL 60143-3201. Remítase a los Requisitos de Seguridad 01.1 para las máquinas de carpintería del Instituto Estadounidense de Normas Nacionales (American National Standards Institute - ANSI) y a las normas OSHA 1910.213 del Departamento de Trabajo de los Estados Unidos.

**⚠ADVERTENCIA:** No conecte la unidad a la fuente de energía hasta no haber leído y comprendido todas las instrucciones.

**⚠ADVERTENCIA:** Durante el uso, use siempre protección auditiva adecuada que cumpla con la norma ANSI S12.6 (S3.19). En ciertas circunstancias y según el período de uso, el ruido de este producto puede contribuir a la pérdida de audición.

**⚠ADVERTENCIA:** NUNCA REALICE CORTES SIN QUE EL MATERIAL ESTÉ BIEN SUJETO A LA MESA Y CONTRA LA GUÍA.

**⚠ADVERTENCIA:** Algunas partículas de polvo generadas al lijar, serrar, esmerilar y taladrar con herramientas eléctricas, así como al realizar otras actividades de construcción, contienen químicos que el Estado de California sabe que pueden producir cáncer, defectos congénitos u otras afecciones reproductivas. Ejemplos de estos químicos son:

- plomo de algunas pinturas en base a plomo,
- polvo de sílice proveniente de ladrillos y cemento y otros productos de albañilería, y
- arsénico y cromo provenientes de madera tratada químicamente.

El riesgo derivado de estas exposiciones varía, según la frecuencia con la que se realice este tipo de trabajo. Para reducir la exposición a estos productos químicos: se recomienda trabajar en áreas bien ventiladas y usar equipos de seguridad aprobados, como las máscaras para polvo especialmente diseñadas para filtrar las partículas microscópicas.

• **Evite el contacto prolongado con las partículas de polvo originadas al lijar, aserrar, esmerilar, taladrar y realizar demás actividades de la construcción. Use indumentaria protectora y lave las áreas expuestas con agua y jabón.** Evite que el polvo entre en la boca y en los ojos o se deposite en la piel, para impedir la absorción de productos químicos nocivos.

**⚠ADVERTENCIA:** El uso de esta herramienta puede generar o dispersar partículas de polvo, que pueden causar lesiones respiratorias permanentes y graves u otras lesiones. Use siempre protección respiratoria aprobada por NIOSH/OSHA (Instituto Nacional de Salud y Seguridad Ocupacional de EE.UU./Administración de la Salud y Seguridad Ocupacional de EE.UU.) apropiada para la exposición al polvo. Aleje las partículas de la cara y el cuerpo.

Para su comodidad y seguridad, la herramienta incluye las siguientes etiquetas de advertencia.

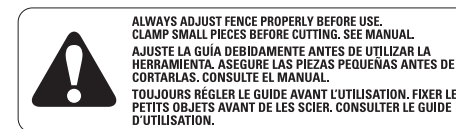
#### EN LA CAJA DEL MOTOR:

**⚠ADVERTENCIA: PARA REDUCIR EL RIESGO DE LESIÓN, EL USUARIO DEBE LEER EL MANUAL DE INSTRUCCIONES ANTES DE UTILIZAR LA SIERRA INGLETADORA.**

**AL HACER REPARACIONES, UTILICE SOLAMENTE PIEZAS DE REPUESTO IDÉNTICAS.**

**NO EXPONER A LA LLUVIA NI UTILIZAR EN LUGARES HÚMEDOS  
UTILIZAR SIEMPRE PROTECCIÓN OCULAR Y RESPIRATORIA ADECUADA.**

#### EN LAS GUÍAS MÓVILES:



**SIEMPRE REGULE CORRECTAMENTE LA GUÍA ANTES DE UTILIZAR LA HERRAMIENTA. AJUSTE LAS PIEZAS PEQUEÑAS ANTES DE CORTAR. CONSULTE EL MANUAL.**

#### EN EL PROTECTOR:

**PELIGRO: MANTÉNGASE ALEJADO DE LA HOJA.**

#### EN EL PROTECTOR SUPERIOR:

**SUJETE EL SOPORTE CORRECTAMENTE CON AMBOS TORNILLOS ANTES DE USAR.**

#### EN LA MESA: (2 LUGARES)

**⚠ADVERTENCIA: POR SU PROPIA SEGURIDAD, LEA EL MANUAL DE INSTRUCCIONES ANTES DE OPERAR LA SIERRA INGLETADORA.**

**DANGER  
PELIGRO**  
KEEP AWAY  
FROM BLADE  
MANTENERS ALEJADO  
DE LA HOJA  
S'ÉLOIGNER DE LA LAME



**Español**



**MANTENGA LAS MANOS ALEJADAS DEL TRAYECTO DE LA HOJA DE LA SIERRA.**

**NO OPERE LA SIERRA SI LOS PROTECTORES NO ESTÁN ADECUADAMENTE INSTALADOS.**

**VERIFIQUE QUE EL PROTECTOR INFERIOR CIERRE CORRECTAMENTE ANTES DE CADA USO.**

**REALICE SIEMPRE LOS AJUSTES NECESARIOS ANTES DE UTILIZAR LA HERRAMIENTA. NO REALICE NINGUNA OPERACIÓN SIN UTILIZAR LAS MANOS.**

**NUNCA SE ESTIRE PARA ALCANZAR ALGO DETRÁS DE LA HOJA DE LA SIERRA. NUNCA CRUCE LOS BRAZOS FRENTE A LA HOJA. APAGUE LA HERRAMIENTA Y ESPERE A QUE LA HOJA SE DETENGA POR COMPLETO ANTES DE RETIRAR LA PIEZA DE TRABAJO, CAMBIAR LOS AJUSTES O MOVER LAS MANOS.**

**DESCONECTE LA HERRAMIENTA ANTES DE HACERLE EL MANTENIMIENTO O ANTES DE CAMBIAR LA HOJA.**

**A FIN DE REDUCIR EL RIESGO DE LESIONES, REGRESE LA SIERRA A LA POSICIÓN VERTICAL DESPUÉS DE CADA OPERACIÓN. ¡PRESTE ATENCIÓN! PUEDE EVITAR ACCIDENTES.**

**EN BASE: (2 LUGARES)**



## Conexión eléctrica

Asegúrese de que la fuente de energía concuerde con lo que se indica en la placa. 120 voltios, CA significa que la sierra funciona con corriente alterna. El interruptor puede fallar si se utiliza corriente directa. Un descenso en el voltaje del diez por ciento o más producirá una pérdida de potencia y sobrecalentamiento. Todas las herramientas DEWALT están probadas en fábrica. Si esta herramienta no funciona, revise el suministro de energía.

## Accesorios

**⚠️ ADVERTENCIA:** Debido a que no se han probado con este producto otros accesorios que no sean los que ofrece DEWALT, el uso de dichos accesorios podría ser peligroso. Para reducir el riesgo de lesiones, con este producto deben usarse sólo los accesorios DEWALT recomendados.

Los accesorios que se recomiendan para la herramienta están disponibles para la compra en su distribuidor local o en el centro de mantenimiento autorizado. Si necesita ayuda para localizar algún accesorio para su herramienta, comuníquese con DEWALT Industrial Tool Co., 701 East Joppa Road, Baltimore, MD 21286, llame al 1-800-4-DEWALT (1-800-433-9258) o visite nuestro sitio Web [www.dewalt.com](http://www.dewalt.com).

## Accesorios opcionales (Fig. 1)

Los siguientes accesorios, diseñados para su sierra, pueden resultar útiles. En algunos casos, pueden resultar más apropiados otros soportes para piezas de trabajo, topes longitudinales, abrazaderas, etc. obtenidos localmente. Sea cuidadoso al seleccionar y utilizar los accesorios.

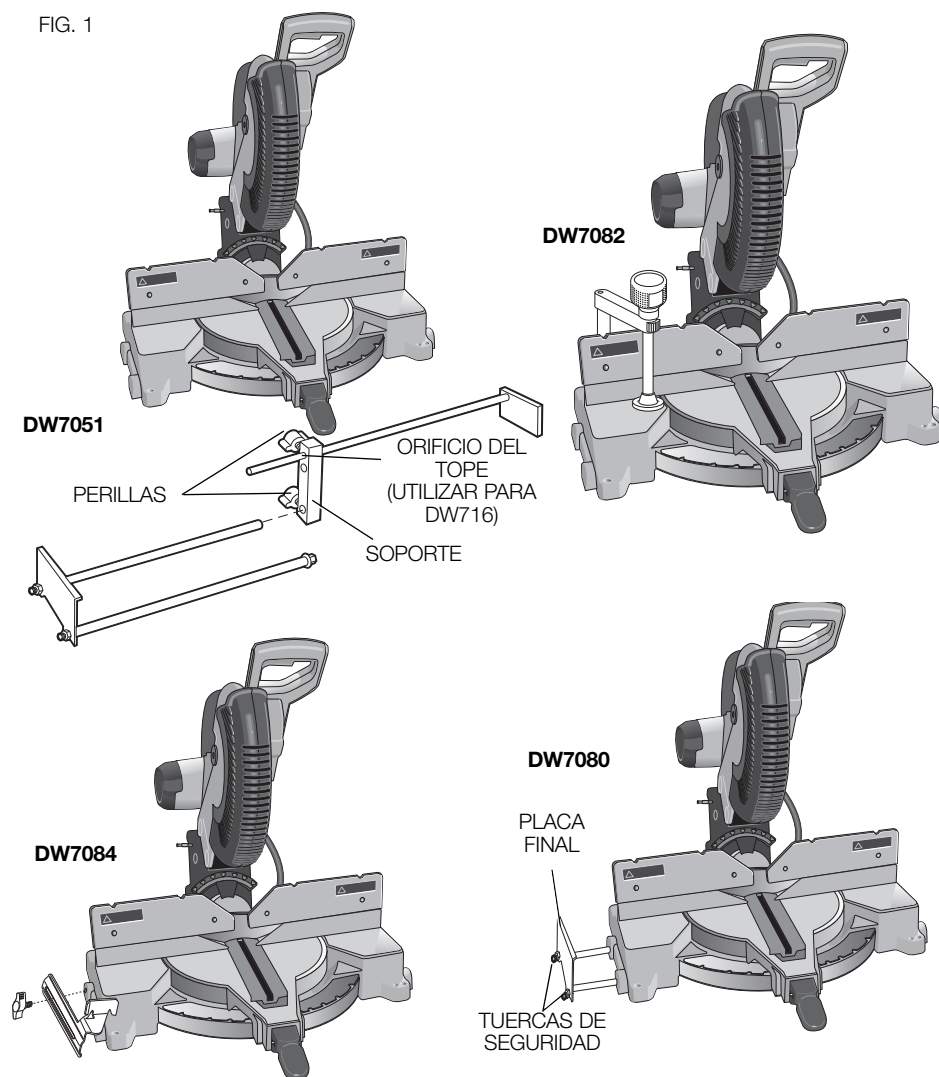
### Soporte de extensión para piezas de trabajo: DW7080

Se utiliza para sostener piezas de trabajo largas que sobresalen; debe ser montado por el usuario. La mesa de la sierra está diseñada para dos soportes de piezas de trabajo, uno de cada lado.

### Tope longitudinal regulable: DW7051

Requiere el uso de un soporte de pieza de trabajo. Se utiliza para realizar cortes repetitivos de la misma longitud, de 0 cm a 107 cm (0" a 42").

FIG. 1



### Abrazadera: DW7082

Se utiliza para sujetar firmemente la pieza de trabajo a la mesa de la sierra y lograr así cortes de precisión.

### Bolsa para polvo: DW7053 (Incluida en algunos modelos)

Equipada con cierre para permitir su práctico vaciado, la bolsa para polvo recoge la mayor parte del aserrín generado (no se muestra).

### Reborde para molduras de corona: DW7084

Se utiliza para el corte preciso de molduras de corona.

### Placa de corte ciega: DW7055 (no mostrados)

Se utiliza para limitar el astillado de la parte trasera del material o como placa de corte de reemplazo.



## Pies de sierra ingleteadora: DWX723, DWX724, DWX725B (no mostrados)

Proporciona una plataforma de trabajo estable y exacta para las sierras ingleteadoras.

**HOJAS PARA SIERRAS:** UTILICE SIEMPRE HOJAS DE SIERRA DE 305 mm (12") CON ORIFICIOS PARA MANDRIL DE 25,4 mm (1"). LA VELOCIDAD DEBE SER DE AL MENOS 4.800 rpm. Nunca use hojas de menor diámetro. No estarán adecuadamente protegidas. Sólo use hojas de corte transversal. No use hojas diseñadas para cortes longitudinales, hojas de combinación u hojas con ángulos de gancho superiores a 7°.

DESCRIPCIONES DE LAS HOJAS		
APLICACIÓN	DIÁMETRO	DIENTES
<b>Hojas de sierra para la construcción</b> (ranura fina con borde antiadherente)		
Propósito general	305 mm (12")	40
Excelentes cortes ransversales	305 mm (12")	60
<b>Hojas de sierra para carpintería</b> (producen cortes limpios y parejos)		
Excelentes cortes ransversales	305 mm (12")	80
Metales no ferrosos	305 mm (12")	96
<b>NOTA:</b> Para cortar metales no ferrosos, use sólo hojas de sierra con dientes TCG diseñados para este tipo de trabajo.		

## INSTRUCCIONES DE SEGURIDAD IMPORTANTES

### Desembalar la sierra

Controle el contenido de la caja de la sierra ingleteadora para asegurarse de haber recibido todas las piezas. Además de este manual de instrucciones, la caja debe contener:

1. Una sierra ingleteadora N° DW716 o DW716XPS.
2. Una hoja de sierra DEWALT de 305 mm (12") de diámetro.
3. Una llave de la hoja en estuche, ilustrada en la figura 2.
4. Una bolsa para polvo DW7053 (algunos modelos).

### Especificaciones

#### CAPACIDAD DE CORTE

Inglete de 50° a la izquierda y a la derecha

48° de bisel a izquierda y derecha

0° de inglete

Altura máxima de 91,5 mm (3,6") Ancho resultante 183 mm (7,2")

Ancho máximo 200,7 mm (7,9") Altura resultante 73,7 mm (2,9")

45° de inglete

Altura máxima de 91,5 mm (3,6") Ancho resultante 125 mm (4,9")

Ancho máximo 140 mm (5,5") Altura resultante 73,7 mm (2,9")

45° de bisel - izquierda

Altura máxima de 58,4 mm (2,3") Ancho resultante 188 mm (7,4")

Ancho máximo 200,7 mm (7,9") Altura resultante 48,3 mm (1,9")

45° de bisel - derecha

Ancho máximo 200,7 mm (7,9") Altura resultante 28 mm (1,1")

Altura máxima de 40,6 mm (1,6") Ancho resultante 180,3 mm (7,1")

La sierra puede cortar molduras de zócalo de 22,9 mm (0,9") de espesor por 154 mm (6,0") de alto a 45° de inglete derecho o izquierdo.

**NOTA:** La sierra, con un procedimiento de configuración especial, puede cortar (consulte **Cortes Especiales**):

0° de inglete 38,1 mm de altura (1,5")

255 mm de ancho (10")

45° de inglete 38,1 mm de altura (1,5")

190,5 mm de ancho (7,5")

## DESTORNILLADOR

### Motor de 120 voltios

1 675 vatios (entrada máxima)

3 800 RPM

Correa en V múltiple

Freno eléctrico automático

Motor de 15 amperios

Engranajes fresados helicoidales

Rodamientos de bolas

Hoja de carburo

### Familiarizarse con la herramienta

Su sierra ingleteadora está completamente ensamblada en la caja. Abra la caja y extraiga la sierra sujetándola de la práctica agarradera de transporte, como se indica en la Figura 1A. Coloque la sierra en una superficie plana lisa como un banco de trabajo, mesa fuerte o pie de sierra ingleteadora DEWALT. Analice la Figura 2 para familiarizarse con la sierra y sus piezas. En la sección de ajustes se describen estas piezas, y es preciso que usted sepa cuáles son y en qué lugar se encuentran.

**⚠ATENCIÓN:** Riesgo de pellizcos. Para reducir el riesgo de lesiones, mantenga el pulgar debajo del mango cuando tire de éste hacia abajo. El protector inferior se moverá hacia arriba al tirar del mango hacia abajo, lo que podría producir un pellizco. El mango ha sido colocado cerca de la guarda para los cortes especiales.

Presione levemente el mango de operación y despliegue la clavija de seguridad, como se muestra en la Figura 2. Lentamente, deje de presionar y permita que el brazo se eleve a la altura máxima. Utilice la clavija de seguridad al transportar la sierra de un lugar a otro. Para trasladar la sierra, utilice siempre la agarradera de transporte o el asidero que se muestran en la Figura 2 y 4.

### MONTAJE Y AJUSTES

**⚠ADVERTENCIA:** Para reducir el riesgo de lesiones personales graves, apague la herramienta y desconéctela de la fuente de alimentación antes de instalar y retirar accesorios, ajustar o cambiar configuraciones o realizar reparaciones. Un arranque accidental podría causar lesiones.

### Montaje en el banco de trabajo

Las cuatro patas tienen orificios para facilitar el montaje en el banco, como se muestra en la Figura 2. (Los orificios son de dos tamaños diferentes para adaptarse a distintos tamaños de tornillos. Utilice cualquiera de los dos orificios, no es necesario utilizar ambos). Siempre monte la sierra firmemente en una superficie estable, para evitar movimientos. Para facilitar su transporte, se puede montar la herramienta a una pieza de madera contrachapada de 12,7 mm (1/2") de espesor o más, que puede a su vez fijarse al soporte de la pieza de trabajo o trasladarse a otros puestos de trabajo y volver a fijarse.

**NOTA:** Si elige montar la sierra a una pieza de madera contrachapada, asegúrese de que los tornillos de montaje no sobresalgan de la parte inferior de la madera. La madera contrachapada debe quedar bien estabilizada sobre el soporte de trabajo. Al sujetar la sierra a cualquier superficie de trabajo, utilice únicamente los refuerzos de sujeción donde se encuentran los orificios de los tornillos de montaje. Si la sujeta en cualquier otro lugar es probable que interfiera con el funcionamiento adecuado de la sierra.

**⚠ATENCIÓN:** Para evitar bloqueos e imprecisiones, asegúrese de que la superficie de montaje no esté deformada ni desnivelada. Si la sierra oscila sobre la superficie de trabajo, coloque un trozo delgado de material bajo una de las patas de la sierra para afirmarla sobre la superficie de montaje.

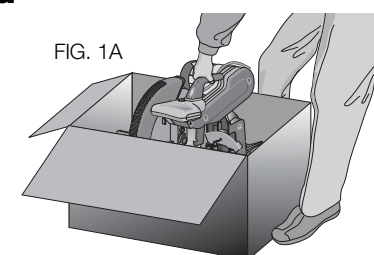
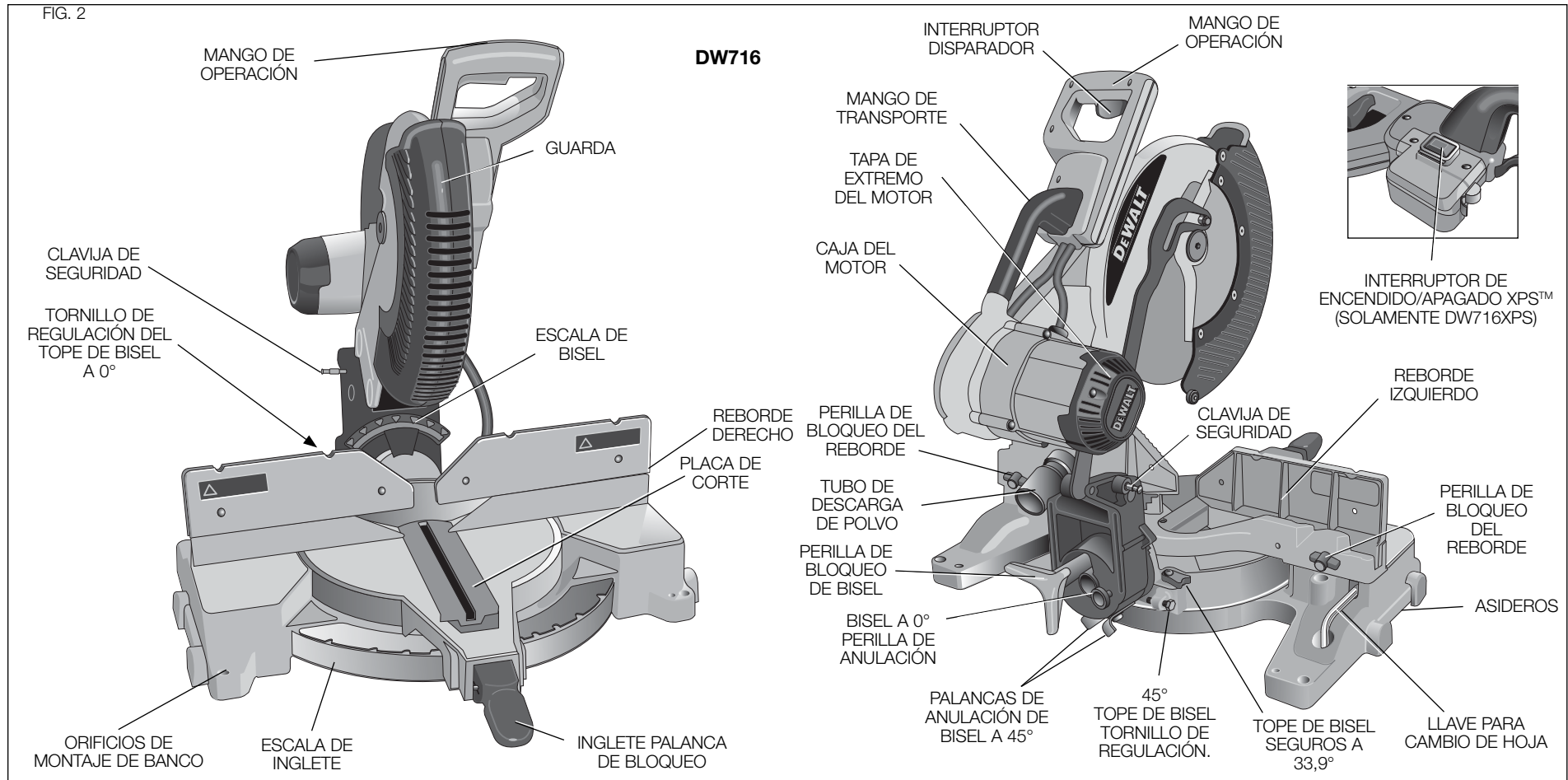


FIG. 1A

FIG. 2



### Cambio o instalación de una hoja de sierra nueva (Fig. 3)

#### ⚠ATENCIÓN:

- Nunca oprima el botón de bloqueo del eje mientras la hoja esté en funcionamiento o en marcha por inercia.
- No utilice esta sierra ingletadora para cortar metales ferrosos (que contengan hierro o acero) o mampostería o productos de cemento de fibra.

### Retiro de la hoja

1. Desenchufe la sierra.
2. Levante el brazo hasta la posición superior y levante el protector inferior (A) todo lo que sea posible.
3. Afloje, pero no retire el tornillo del soporte del protector (B) hasta que se pueda levantar suficientemente el soporte como para tener acceso al tornillo de la hoja. El protector inferior permanecerá levantado debido a la posición del tornillo del soporte del protector.
4. Oprima el botón de bloqueo del eje (C) mientras gira cuidadosamente la hoja de la sierra a mano hasta enganchar el bloqueo.

FIG. 3

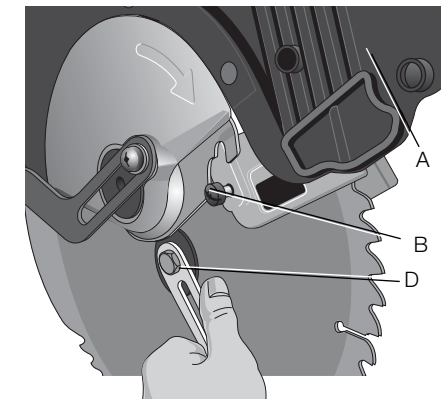


FIG. 3A

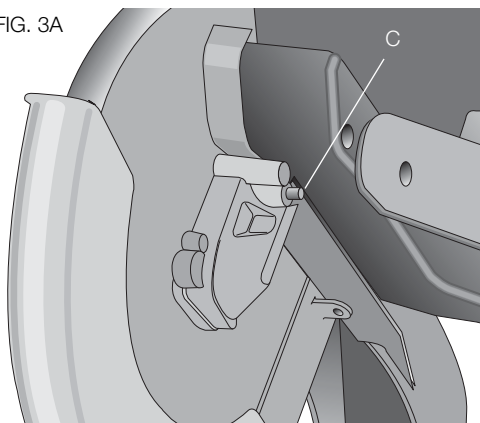
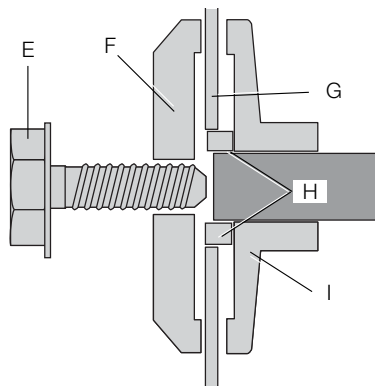


FIG. 3B



- Manteniendo el botón oprimido, utilice la otra mano y la llave proporcionada (D) para aflojar el tornillo de la hoja. (Gire en sentido de las agujas del reloj, roscas de mano izquierda.)
- Retire el tornillo de la hoja (E), abrazadera externa de la hoja (F) y la hoja (G). El adaptador de hoja (H) de 25,4 mm (1 pulg.), si se utiliza, y la abrazadera interna de la hoja (I) pueden dejarse en el eje.

**NOTA:** El adaptador de hoja de 25,4 mm (1") no se utiliza en las hojas que tienen un orificio de 15,88 mm (5/8").

### Instalación de la hoja

- Desenchufe la sierra.
- Con el brazo levantado, el protector inferior abierto y el soporte del protector, coloque la hoja en el eje, sobre el adaptador de hoja (si utiliza una hoja con orificio de 254 mm [1"] de diámetro) y contra la abrazadera interna de la hoja, con los dientes de la parte inferior de la hoja apuntando hacia la parte trasera de la sierra.
- Monte la abrazadera externa de la hoja sobre el eje.
- Instale el tornillo de la hoja y, enganchando el bloqueo del eje, ajuste el tornillo (E) firmemente con la llave provista. (Gire en sentido contrario a las agujas del reloj, roscas de mano izquierda)

**NOTA:** Cuando se utilizan hojas con un orificio de 15,88 mm (5/8") de diámetro, no se utiliza el adaptador de hoja, que debe guardarse en un lugar seguro.

- Vuelva a colocar el soporte del protector en su posición original y ajuste firmemente el tornillo (B) del mismo para mantenerlo en su lugar.

#### **ADVERTENCIA:**

- Antes de poner en funcionamiento la sierra, se debe volver a colocar el soporte del protector en su posición original y ajustar el tornillo.
- Si no se cumple con esta indicación, el protector podría tocar la hoja de la sierra en rotación y provocar daños a la sierra y lesiones personales graves.

### Transporte de la sierra (Fig. 2, 4)

**ADVERTENCIA:** Para reducir el riesgo de lesión personal grave, bloquee SIEMPRE el mango de bloqueo de inglete, la perilla de bloqueo de bisel, las perillas de ajuste de las guías y fije bien el brazo hacia abajo utilizando la clavija de bloqueo antes de transportar la sierra.

Para poder transportarla fácilmente de un lugar a otro, se ha incorporado una agarradera de transporte en la parte superior del brazo de la sierra y asideros en la base, como se muestra en la Figura 2 y 4.

### Ajustes

**ADVERTENCIA:** Para reducir el riesgo de lesiones personales graves, apague la herramienta y desconéctela de la fuente de alimentación antes de instalar y retirar accesorios, ajustar o cambiar configuraciones o realizar reparaciones. Un arranque accidental podría causar lesiones.

**NOTA:** La sierra ingletadora recibe todos los ajustes necesarios y precisos durante el proceso de fabricación. Si se precisa realizar nuevos ajustes debido al envío y la manipulación, o por cualquier otro motivo, siga los siguientes pasos.

Una vez realizados, estos ajustes no se volverán a desconfigurar. Tómese el tiempo necesario y siga estas instrucciones cuidadosamente para mantener el alto nivel de precisión de la sierra.

#### AJUSTE DE LA ESCALA DE INGLETE (FIG. 5)

Coloque una escuadra contra el reborde y la hoja de la sierra. (No toque las puntas de los dientes de la hoja con la escuadra. Si lo hace, la medición obtenida será imprecisa). Desbloquee la palanca de bloqueo de inglete (J) y gire el brazo de inglete hasta que el cerrojo de inglete lo trabe en la posición de inglete 0. No trabe la palanca de bloqueo de inglete (J). Si la hoja de la sierra no está exactamente perpendicular al reborde, afloje los tres tornillos que sujetan la escala de inglete a la base y mueva la escala a la izquierda o a la derecha hasta que la hoja esté perpendicular al reborde, según se midió con la escuadra. Vuelva a ajustar los tres tornillos. Por el momento, no preste atención a la medida que aparece en el indicador de inglete.

FIG. 5

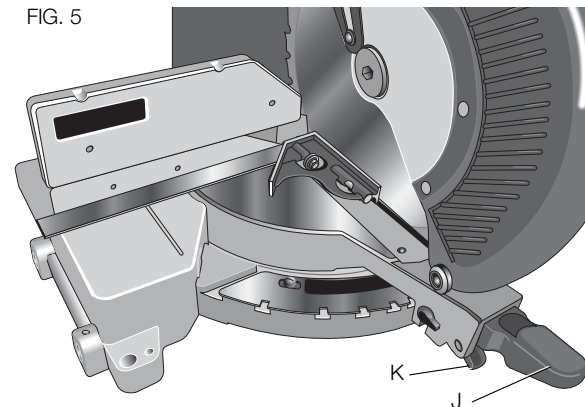
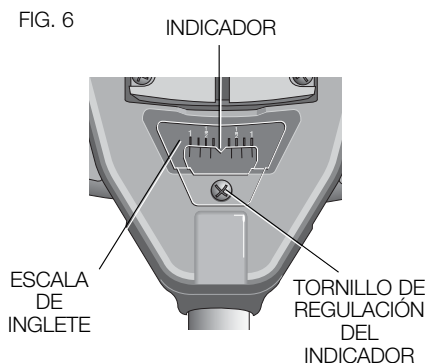


FIG. 4



### REGULACIÓN DEL INDICADOR DE INGLETE (FIG. 5, 6)

Para desbloquear, levante la palanca de bloqueo de inglete (J) y oprima el cerrojo de inglete (K) para mover el brazo de inglete a la posición cero. Una vez que haya desbloqueado la palanca de bloqueo de inglete, permita que el cerrojo de inglete quede en la posición correcta a medida que usted gira el brazo de inglete a la posición cero. Observe el indicador y la escala de inglete a través del orificio de visualización que se muestran en la Figura 6. Si el indicador no marca exactamente cero, afloje el tornillo que sujeta el indicador, vuelva a posicionarlo y ajuste el tornillo.

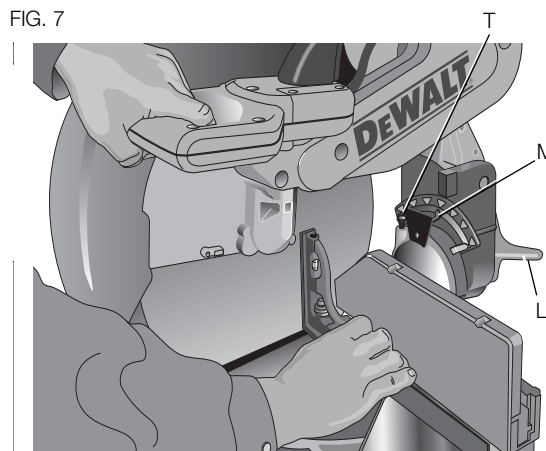


### BISEL A ESCUADRA CON LA MESA (FIG. 7)

Para alinear la hoja en escuadra con la mesa giratoria, bloquee el brazo en la posición hacia abajo. Coloque una escuadra contra la hoja teniendo cuidado de no colocarla sobre un diente. Afloje la perilla de bloqueo de bisel (L) y asegúrese de que el brazo esté firme contra el tope de bisel a 0°. Mueva el tope de bisel a 0° de modo de ajustar el tornillo (T) tanto como sea necesario para que la hoja esté a cero grados del banco.

### INDICADOR DE BISEL (FIG. 7)

Si el indicador de bisel (M) no marca cero, afloje el tornillo que lo sujeta en su lugar y mueva el indicador tanto como sea necesario. No retire la placa de acero en la parte frontal del indicador de bisel. Esta placa evita que la resina de la madera se acumule en la escala de bisel durante su uso.

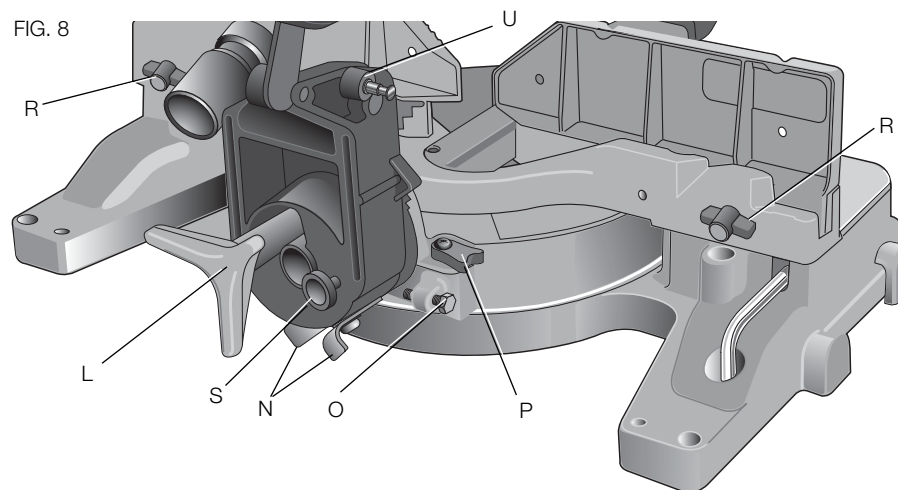


### CÓMO AJUSTAR EL TOPE DE BISEL A 45° A LA IZQUIERDA O DERECHA (FIG. 8)

**NOTA:** Ajuste los ángulos de bisel a 45° solamente después de colocar el bisel a 0° y realizar el ajuste del indicador. Asegúrese de que el bisel a 45° no permita presionar las palancas (N) hacia adentro para obtener un ajuste preciso.

Para ajustar el ángulo de bisel a 45° a la derecha, afloje la perilla de bloqueo de bisel (L) y oprima la perilla de anulación del tope de bisel (S) para anular el tope de bisel a 0°. Cuando la sierra esté completamente hacia la derecha, si el indicador no marca exactamente 45°, gire el tornillo del tope de bisel hacia la derecha (O) hasta que el indicador marque 45°.

Para ajustar el tope del bisel a 45° a la izquierda, primero suelte la perilla de bloqueo del bisel (L) e incline la cabeza hacia la izquierda. Si el indicador no señala 45° exactamente, gire el tornillo del tope del bisel hacia la izquierda hasta que indique 45°.



### CÓMO AJUSTAR EL TOPE DEL BISEL A 33,9° (FIG. 8)

**NOTA:** Ajuste el ángulo del bisel a 33,9° solamente después de colocar el bisel a 0° y realizar el ajuste del indicador.

Para colocar el ángulo del bisel a 33,9°, despliegue el seguro del tope (P). Suelte la perilla de bloqueo de bisel (L) y gire la cabeza hacia la izquierda. Si el indicador no señala 33,9° exactamente, gire el tornillo en contacto con el seguro hasta que indique 33,9°.

Para ajustar el ángulo de bisel a 33,9° a la derecha, despliegue el seguro del tope. Afloje la perilla de bloqueo de bisel (L) y oprima el botón de anulación del tope de bisel (S) para anular el tope de bisel a 0°. Cuando la sierra esté completamente hacia la derecha, si el indicador no señala 33,9° exactamente, gire el tornillo en contacto con el seguro hasta que el indicador marque 33,9°.

### REGULACIÓN DE REBORDE (FIG. 8)

Para que la sierra pueda biselar a 48° completos hacia la izquierda o derecha, los rebordes se pueden regular a fin de proporcionar espacio. Para ajustar un reborde, afloje la perilla de plástico (Figura 8, R) y deslice el reborde hacia afuera. Ensaye una vez con la sierra apagada y verifique que haya espacio suficiente. Regule el reborde para que quede lo más cerca posible de la hoja y proporcione un máximo soporte a la pieza de trabajo, sin interferir con el movimiento de elevación y descenso del brazo. Ajuste la perilla firmemente. Al completar las operaciones de biselado, no olvide reubicar el reborde.

**NOTA:** La ranura de la guía de los rebordes puede obstruirse con el aserrín. Si la ranura de la guía se atora, use un palo, aire a presión baja o un vacío para destaparla.



## FRENO ELÉCTRICO AUTOMÁTICO (FIG. 2)

La sierra viene equipada con un freno eléctrico automático que detiene la hoja de la sierra después de los cinco segundos de haber liberado el disparador. El freno no es regulable. En algunas ocasiones puede producirse un retraso en la activación del freno luego de accionar el disparador. En muy pocas ocasiones puede ocurrir que el freno no se active en absoluto, en cuyo caso la hoja seguirá su marcha por inercia hasta detenerse.

Si se producen retrasos o "saltos", apague y encienda la sierra cuatro o cinco veces. Si el problema persiste, haga reparar la herramienta en un centro de mantenimiento DEWALT autorizado.

Asegúrese siempre de que la hoja se haya parado antes de sacarla de la placa de corte. El freno no sustituye a las guardas. Por su propia seguridad, preste atención a la sierra.

## ACCIONAMIENTO Y VISIBILIDAD DE LA GUARDA

**¡ATENCIÓN:** *Riesgo de pellizcos. Para reducir el riesgo de lesiones, mantenga el pulgar debajo del mango cuando tire de éste hacia abajo. El protector inferior se moverá hacia arriba al tirar del mango hacia abajo, lo que podría producir un pellizco.*

La guarda de la hoja de la sierra se eleva automáticamente cuando el brazo desciende, y desciende sobre la hoja cuando el brazo se eleva.

Al instalar o retirar hojas de sierra, o al realizar inspecciones, usted puede elevar la guarda en forma manual. **NUNCA ELEVE LA GUARDA DE LA HOJA MANUALMENTE A MENOS QUE LA SIERRA ESTÉ APAGADA.**

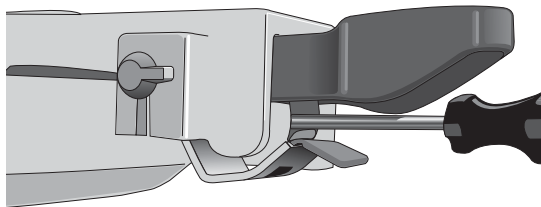
**NOTA:** Algunos cortes especiales de materiales de gran tamaño requieren que el usuario eleve la guarda en forma manual. Consulte las **Corte de Materiales Grandes en Cortes Especiales.**

La sección frontal del protector tiene rejillas que proporcionan visibilidad durante el corte. Si bien las rejillas reducen considerablemente los residuos volátiles, no dejan de ser orificios en la guarda, por lo que se deben usar anteojos de seguridad en todo momento al mirar por la rejilla.

## AJUSTE DE LA ESCALA DE INGLETE (FIG. 9)

La barra de bloqueo de inglete debe ajustarse si la mesa de la sierra se mueve cuando el mango del bloqueo de inglete está hacia abajo. Para ajustarlo, coloque el mango del bloqueo de inglete en la posición hacia arriba. Utilice un destornillador de cabeza plana para ajustar la barra de bloqueo girándola 1/8 en el sentido de las agujas del reloj de modo de incrementar la fuerza de bloqueo. Para garantizar que el bloqueo de inglete funcione correctamente, vuelva a bloquear el mango de bloqueo de inglete a un ángulo de inglete no bloqueado.

FIG. 9



## Cepillos (Fig. 2)

Inspeccione los cepillos de carbono con regularidad desenchufando la herramienta, sacando la tapa superior del motor (Fig. 2) y sacando la tapa de los cepillos que sujeta el ensamblaje de resorte de los cepillos. Mantenga los cepillos limpios de manera que puedan deslizarse cómodamente en sus guías. Al reemplazar un cepillo usado, observe la posición en la que se encuentra en el soporte, a fin de colocar el nuevo cepillo en la misma posición. Si el cepillo se

ha gastado hasta aproximadamente 12.7 mm (1/2") del resorte, dejará de ejercer presión, por lo que habrá que reemplazarlo. Utilice solamente cepillos DEWALT idénticos. Es fundamental utilizar cepillos de la calidad adecuada para que el freno eléctrico funcione correctamente. En los centros de mantenimiento DEWALT podrá conseguir nuevos montajes de cepillos. Se debe dejar que la herramienta funcione a prueba (sin carga) durante diez minutos antes de utilizarla, para que los cepillos nuevos se asienten. El freno eléctrico puede presentar fallas en su funcionamiento hasta que los cepillos estén adecuadamente asentados (gastados). Vuelva a colocar la tapa de inspección de cepillos luego de inspeccionar o reparar los cepillos. Durante el funcionamiento "de prueba" NO ATE, ENCIENTE O BLOQUEE EL INTERRUPTOR DISPARADOR. SOSTÉNGALO ÚNICAMENTE CON LA MANO.

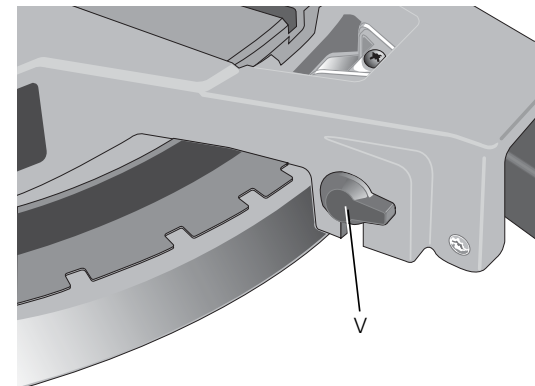
## Controles

La sierra ingletadora compuesta tiene varios controles principales que serán analizados brevemente a continuación. Para obtener más información acerca de estos controles, consulte las secciones anteriores correspondientes en el manual.

## CONTROL DE INGLETE (FIG. 5, 10)

La palanca de bloqueo del inglete (J) y el pasador del inglete (K) le permiten ingletear la sierra 50° a la izquierda y a la derecha. Para colocar el inglete de su sierra, desbloquee la palanca de bloqueo de inglete (J) deslizándola hacia arriba, oprima el disparador de retención (K) y coloque el ángulo de inglete deseado en la escala de inglete. Bloquee el mango de bloqueo de inglete presionando hacia abajo. Anule el disparador de retención girando la perilla (Figura 10, V).

FIG. 10



## INTERRUPTOR DISPARADOR (FIG. 2)

El interruptor disparador enciende y apaga la sierra. El disparador tiene un orificio donde se puede insertar un candado para asegurar la sierra.

## UTILIZACIÓN DEL SISTEMA DE LUZ DE TRABAJO LED XPS™ (FIG. 2) SOLAMENTE DW716XPS

**NOTA:** La sierra ingletadora debe estar conectada a una fuente de alimentación.

El sistema de luz de trabajo LED XPS™ está equipado con un interruptor de encendido/apagado (Fig. 2). El sistema de luz de trabajo LED XPS™ es independiente del interruptor de gatillo de la sierra ingletadora.

La luz no tiene que estar funcionando para poder operar la sierra.

Para cortar a través de una línea de lápiz ya existente en un trozo de madera, encienda el sistema XPS™; a continuación, tire hacia abajo de la agarradera de operación para acercar la hoja de la sierra a la madera. La sombra de la hoja aparecerá sobre la madera. Esta línea de sombra representa el material que la hoja retirará al realizar un corte. Para ubicar correctamente el corte con la línea de lápiz, alinee la línea de lápiz con el borde de

la sombra de la hoja. Tenga en cuenta que es posible que tenga que ajustar el inglete o los ángulos de biselado con el fin de coincidir con exactitud con la línea de lápiz.

#### **BLOQUEO DE BISEL (FIG. 7, 8)**

La perilla de bloqueo de bisel (L) le permite biselar la sierra a 48° a la izquierda y a la derecha. Para aflojar el mango y ajustar la configuración de bisel, gire el mango en el sentido contrario a las agujas del reloj, la cabeza de la sierra se bisela con facilidad a la izquierda o a la derecha al oprimir la perilla de anulación de bisel a 0° (S). Para ajustarlo, gire el mango en el sentido de las agujas del reloj. Las marcas de grado del bisel están en la parte frontal inferior del brazo de la sierra (Figura 7, M).

#### **BLOQUEO DE BISEL A 0° (FIG. 8)**

La anulación del tope de bisel (S) le permite biselar la sierra a la derecha después de la marca de 0°.

La sierra se detendrá automáticamente a 0° cuando se lleve desde la izquierda. Para mover a la derecha después de 0°, gire la perilla de tope de bisel. La perilla de tope se puede desbloquear tirando la perilla hacia afuera y girándola a 180°.

#### **BLOQUEO DE BISEL A 45° (FIG. 8)**

Las anulaciones del tope de bisel (N) se fijan con el tornillo de sujeción para evitar un movimiento accidental. Utilice la broca en la llave para cambio de broca para aflojar el tornillo de sujeción. Esto permite que los deslizadores se tiren hacia afuera y que la cabeza de la sierra gire después de la marca de 45°. Asegúrese de volver a ajustar el tornillo de sujeción al finalizar.

#### **TOPES DE BISEL A 33,9° (FIG. 8)**

Los dos seguros (P) se utilizan para fijar el bisel de la cabeza de la sierra a 33,9°. Esta fijación se utiliza principalmente para cortar molduras de corona en posición plana sobre la mesa.

#### **CLAVIJA DE SEGURIDAD (FIG. 8)**

**⚠ADVERTENCIA:** La clavija de bloqueo debe utilizarse SOLAMENTE al transportar o guardar la sierra. NUNCA utilice el pestillo de seguridad para una operación de corte.

Para bloquear la cabeza de la sierra en la posición hacia abajo, empuje la cabeza hacia abajo, presione la clavija (U) y suelte la cabeza de la sierra. Así se sostendrá la cabeza de la sierra en forma segura hacia abajo para poder trasladar la herramienta de un lugar a otro. Para soltarla, presione la cabeza de la sierra hacia abajo y retire la clavija.

#### **OPERACIÓN**

**⚠ADVERTENCIA:** Para reducir el riesgo de lesiones personales graves, apague la herramienta y desconéctela de la fuente de alimentación antes de instalar o retirar accesorios, ajustar o cambiar configuraciones o realizar reparaciones. Un arranque accidental podría causar lesiones.

**⚠ADVERTENCIA:** Siempre utilice protección para los ojos. Todos los usuarios y espectadores deben utilizar protección para los ojos conforme a las normas ANSI Z87.1 (CAN/CSA Z94.3).

Enchufe la sierra en cualquier fuente de energía doméstica de 60 Hz. Consulte el voltaje en la placa de la herramienta. Asegúrese de que el cable no interfiera con su trabajo.

#### **INTERRUPTOR**

Para encender la sierra, oprima el interruptor disparador. Para apagarla, suelte el interruptor. Permita que la hoja alcance la velocidad máxima de rotación (rpm) antes de realizar el corte. Suelte el interruptor disparador y permita que el freno detenga la hoja antes de levantar la cabeza de la sierra. No hay ningún dispositivo para bloquear el interruptor en encendido, pero en el orificio del disparador se puede insertar un candado para bloquear la sierra apagada.

#### **CORTES CON LA SIERRA**

**NOTA:** Si bien esta sierra corta madera y muchos materiales no ferrosos, limitaremos nuestro análisis solamente al corte de madera. Las mismas pautas se aplican a otros materiales. **NO CORTE MATERIALES FERROSOS (HIERRO Y ACERO) O MAMPOSTERÍA CON ESTA SIERRA.** No emplee hojas abrasivas.

#### **CORTES TRANSVERSALES**

No se recomienda cortar muchas piezas, aunque es posible hacerlo en forma segura siempre que cada pieza esté sostenida firmemente contra la mesa y el reborde. Los cortes transversales se realizan cruzando la veta de la madera en cualquier ángulo. Los cortes transversales rectos se realizan con el brazo de inglete en la posición de cero grados. Fije el brazo de inglete en cero, sostenga la madera firmemente sobre la mesa y contra el reborde. Encienda la sierra oprimiendo el disparador.

**⚠ATENCIÓN:** Siempre utilice una abrazadera para sujetar la pieza de trabajo a fin de mantener el control y reducir el riesgo de daños en la pieza o lesiones personales.

Una vez que la sierra haya alcanzado velocidad (al cabo de 1 segundo), baje el brazo en forma uniforme y lenta para cortar a través de la madera. Espere a que la hoja se detenga por completo para levantar el brazo.

Los cortes transversales de inglete se realizan con el brazo de inglete en cualquier otro ángulo que no sea cero. Este ángulo suele ser de 45° para formar esquinas, pero se puede fijar en cualquier posición, de cero a 50°, a la izquierda o derecha. Después de seleccionar el ángulo de bisel deseado, asegúrese de bloquear la palanca de bloqueo de inglete. Realice el corte según la descripción anterior.

Para cortar siguiendo una línea marcada con lápiz sobre la pieza de madera, haga coincidir el ángulo de la forma más precisa posible. Corte la madera con un largo un poco excesivo y mida la distancia desde la línea marcada con lápiz

al borde del corte, para determinar en qué dirección se debe ajustar el ángulo del inglete; luego vuelva a realizar el corte. Este proceso requiere cierta práctica, pero es una técnica muy utilizada.

#### **CORTES BISELADOS**

Los cortes biselados son cortes transversales que se realizan con la hoja de la sierra en bisel con la madera. Para fijar el bisel, afloje la perilla de fijación de bisel y mueva la sierra a la izquierda en la medida deseada. (Es necesario mover el reborde para dejar espacio libre). Una vez fijado el ángulo de bisel deseado, ajuste firmemente la perilla de fijación de bisel.

Los ángulos de bisel se pueden fijar desde 48° a la derecha hasta 48° a la izquierda y se pueden realizar cortes con el brazo de inglete fijo entre cero y 50° a la derecha o a la izquierda. Es posible que haya que retirar el reborde lateral izquierdo o derecho para algunos ángulos extremos. Para retirar el reborde izquierdo o derecho, desenrosque las perillas varias veces y retire el reborde.

#### **CALIDAD DEL CORTE**

La uniformidad del corte depende de diferentes variables. El tipo de material para cortar, el tipo y filo de la hoja, y la velocidad de corte contribuyen a la calidad.

Cuando se necesitan cortes más uniformes para molduras u otros trabajos de precisión, se debe usar una hoja afilada (60 dientes de carburo) y una velocidad de corte más lenta para lograr los resultados deseados.

Asegúrese de que el material no se deslice mientras lo corta; sujételo firmemente. Siempre espere a que la hoja se detenga por completo para levantar el brazo.

Si aun así se desprenden pequeñas fibras de la parte trasera de la pieza de trabajo, pegue un trozo de cinta adhesiva en la madera donde se realizará el corte. Corte con la sierra a través de la cinta y retirela con cuidado cuando termine.

Para diferentes aplicaciones de cortes, consulte la lista de hojas recomendadas para su sierra y elija la que más se adapte a sus necesidades. Consulte las **Hojas Para Sierras** en **Accesorios opcionales**.

#### **POSICIÓN DEL CUERPO Y LAS MANOS (FIG. 11)**

La correcta posición del cuerpo y las manos mientras opera la sierra ingletadora ayudará a lograr cortes más fáciles, precisos y seguros. Nunca coloque las manos cerca del área de corte. No coloque las manos a menos de 152 mm (6") de distancia de la hoja. Sujete la pieza de trabajo fija a la mesa y al reborde mientras corta. Mantenga las manos en posición hasta que el disparador esté liberado y la hoja se haya detenido por completo. SIEMPRE ENSAYE (SIN CORRIENTE ELÉCTRICA) ANTES DE REALIZAR LOS CORTES A FIN DE PODER CONTROLAR EL TRAYECTO DE LA HOJA. NO CRUCE LOS BRAZOS, COMO SE MUESTRA EN LA FIGURA 11.

Mantenga ambos pies firmes sobre el piso y mantenga el equilibrio adecuado. Mientras usted mueve el brazo de inglete de izquierda a derecha, acompáñelo y párese al costado de la hoja de la sierra. Observe a través de las rejillas protectoras cuando siga una línea de lápiz.

### SUJECIÓN DE LA PIEZA DE TRABAJO

**⚠ADVERTENCIA:** Para reducir el riesgo de lesiones personales graves, apague la herramienta y desconéctela de la fuente de alimentación antes de instalar y retirar accesorios, ajustar o cambiar configuraciones o realizar reparaciones. Un arranque accidental podría causar lesiones.

**⚠ADVERTENCIA:** Una pieza de trabajo que está sujeta con la abrazadera, equilibrada y asegurada antes de realizar un corte puede desequilibrarse después de finalizar el corte. Una carga desequilibrada puede inclinar la sierra o cualquier objeto en el que esté instalada dicha sierra, como una mesa o un banco de trabajo. Al realizar un corte que puede desequilibrarse, sostenga adecuadamente la pieza de trabajo y asegúrese de que la sierra esté atornillada con firmeza a una superficie estable. Pueden ocasionar lesiones personales.

**⚠ADVERTENCIA:** El pie de la abrazadera debe permanecer sujeto con la abrazadera por encima de la base de la sierra siempre que se utilice la abrazadera. Siempre sujete la pieza de trabajo con la abrazadera a la base de la sierra (no a cualquier otra pieza del área de trabajo). Asegúrese de que el pie de la abrazadera no esté sujeto al borde de la base de la sierra.

**⚠ATENCIÓN:** Siempre utilice una abrazadera para sujetar la pieza de trabajo a fin de mantener el control y reducir el riesgo de daños en la pieza o lesiones personales.

Si no puede sujetar la pieza de trabajo con la mano sobre la mesa y contra el reborde, (forma irregular, etc.), o si su mano quedara a menos de 152 mm (6") de la hoja, debe utilizar una abrazadera u otro tipo de sujeción.

Si no puede sujetar la pieza de trabajo con la mano sobre la mesa y contra el reborde, (forma irregular, etc.), o si su mano quedara a menos de 152 mm (6") de la hoja, debe utilizar una abrazadera u otro tipo de sujeción.

Para obtener mejores resultados, utilice la abrazadera DW7082 fabricada para usar con esta sierra. Puede comprarla en un comercio minorista o centro de mantenimiento DEWALT.

También pueden ser apropiados otros accesorios, como las abrazaderas de resorte, las abrazaderas de barra o las abrazaderas en C, según los diferentes tamaños y formas del material. Sea cuidadoso al elegir y colocar estas abrazaderas. Tómese el tiempo para ensayar el corte con la sierra apagada antes de realizarlo. El reborde izquierdo o derecho se deslizará de lado a lado para facilitar la sujeción.

### PARA INSTALAR LA ABRAZADERA (SE VENDE POR SEPARADO)

1. Introdúzcala en el orificio detrás de la guía. La abrazadera debe estar mirando hacia la parte posterior de la sierra ingletadora. La ranura en la barra de la abrazadera debe estar completamente dentro de la base. Asegúrese de que esta ranura esté completamente dentro de la base de la sierra ingletadora.

Si la ranura está visible, la abrazadera no estará segura.

2. Gire la abrazadera 180° hacia el frente de la sierra ingletadora.

3. Suelte la perilla para ajustar la abrazadera hacia arriba o abajo, luego, utilice la perilla fina ajustable para sostener con firmeza la pieza de trabajo con la abrazadera.

**NOTA:** Coloque la abrazadera en el lado opuesto de la base al realizar el biselado. SIEMPRE ENSAYE ANTES DE REALIZAR LOS CORTES (SIN CORRIENTE ELÉCTRICA) PARA COMPROBAR EL TRAYECTO DE LA HOJA. ASEGÚRESE DE QUE LA ABRAZADERA NO INTERFIERA CON LA ACCIÓN DE LA SIERRA O LOS PROTECTORES.

### SOPORTE DE PIEZAS LARGAS

SIEMPRE UTILICE SOPORTES PARA LAS PIEZAS LARGAS.

Nunca haga que otra persona actúe como extensión del banco, como punto de apoyo adicional para una pieza de trabajo que es más larga o ancha que el banco básico de la sierra ingletadora o para que lo ayude a alimentar, brindar apoyo o empujar la pieza de trabajo.

FIG. 11

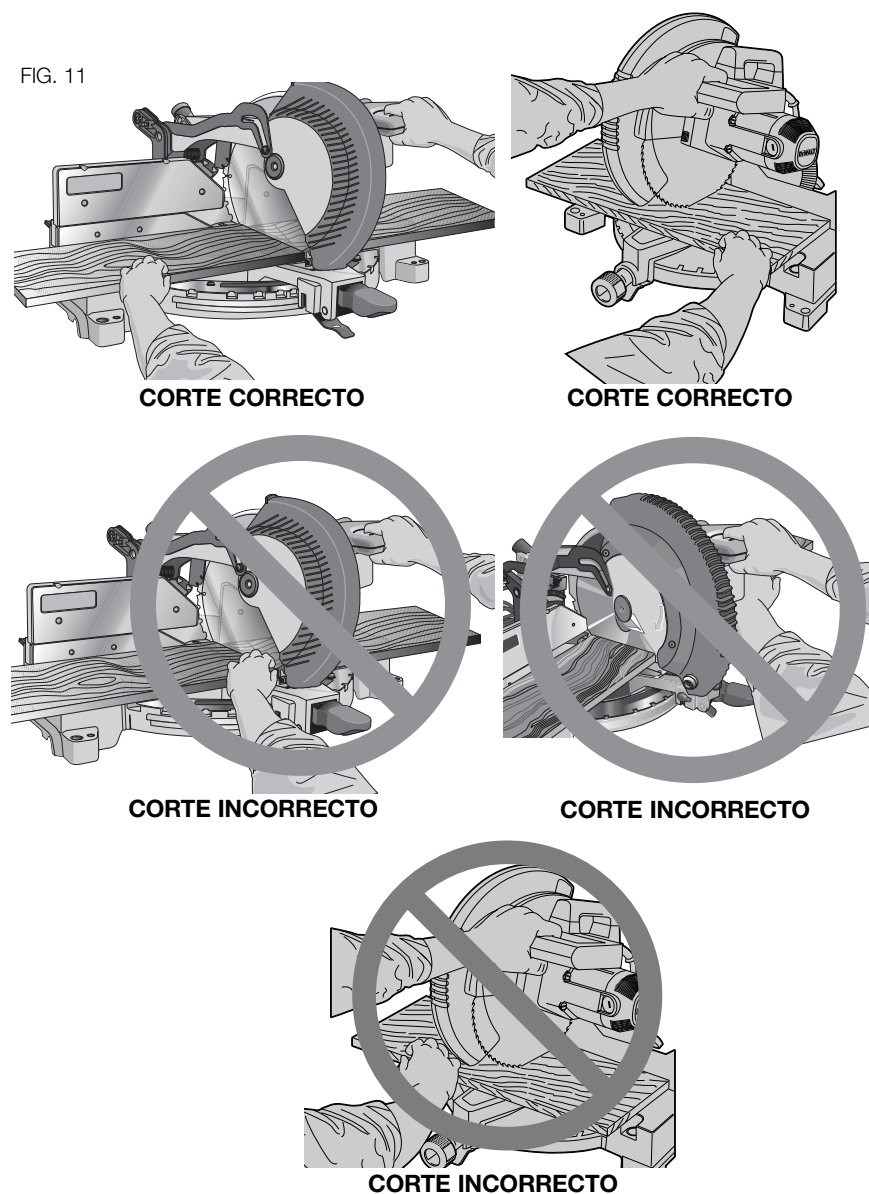
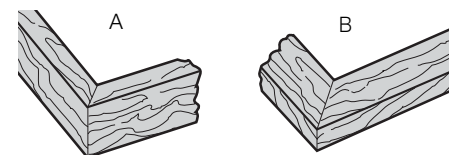


FIG. 12





Para obtener los mejores resultados, utilice la extensión de soporte para tareas DW7080 o el pie de la sierra ingleteadora DWX723, DWX724 o DWX725B para extender la anchura de la mesa de la sierra. Pueden obtenerse de su distribuidor por un cargo adicional.

Utilice algún soporte conveniente para apoyar las piezas de trabajo largas, como los caballetes de aserrar u otro dispositivo similar, a fin de evitar que se caigan los extremos de la pieza.

### CORTE DE MARCOS PARA FOTOS, CAJAS PARA EXHIBIR OBJETOS Y OTROS ELEMENTOS DE CUATRO LADOS

Para comprender mejor cómo se fabrican los elementos aquí enumerados, le sugerimos que intente con algunos proyectos simples, usando madera de descarte, hasta que se acostumbre y domine la sierra.

La sierra es la herramienta perfecta para cortar esquinas a inglete, como la que se muestra en la Figura 13. El esquema A de la Figura 12 muestra un empalme hecho con la regulación de bisel para biselar los bordes de dos placas a 45° cada una y obtener una esquina a 90°. Para hacer este empalme, el brazo del inglete se bloqueó en la posición cero y la regulación de bisel se bloqueó a 45°. La madera se ubicó con el lado plano ancho contra la mesa y el borde angosto contra el reborde. El corte también se podría haber hecho cortando a inglete de derecha a izquierda, con la superficie ancha contra el reborde.

### CORTE DE MOLDURAS DE TERMINACIÓN Y OTROS MARCOS

El esquema B de la figura 12 muestra un empalme realizado con la regulación del brazo de inglete a 45°, para cortar a inglete las dos placas a fin de formar una esquina a 90°. Para hacer este tipo de empalme, fije la regulación del bisel en cero y el brazo de inglete a 45°. Nuevamente, ubique la madera con el lado plano ancho sobre la mesa y el borde angosto contra el reborde.

Los dos esquemas de la Figura 12 corresponden a objetos de cuatro lados.

Si cambia la cantidad de lados, también cambian los ángulos de bisel e inglete. El siguiente cuadro presenta los ángulos adecuados para diferentes formas.

- EJEMPLOS -	
CANTIDAD DE LADOS	ÁNGULO DE INGLETE O BISEL
4	45°
5	36°
6	30°
7	25,7°
8	22,5°
9	20°
10	18°

(En el cuadro se presupone que todos los lados tienen la misma longitud). Para las formas que no figuran en el cuadro, utilice la siguiente fórmula: Divida 180° por la cantidad de lados y obtendrá el ángulo de inglete (si el material se corta en forma vertical) o bisel (si el material se corta en posición horizontal).

FIG. 13

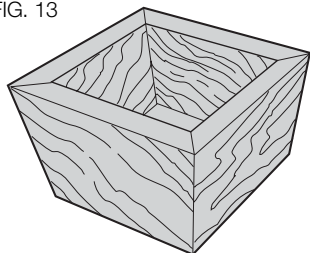
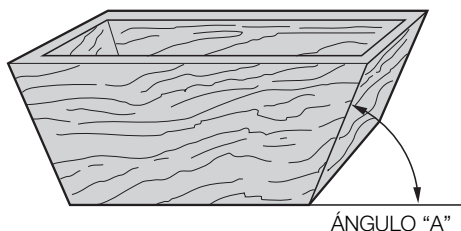


FIG. 14



### CORTE DE INGLETES COMPUESTOS

Los ingletes compuestos son cortes que se realizan utilizando un ángulo de inglete y un ángulo de bisel en forma simultánea. Este tipo de corte se utiliza para hacer marcos o cajas con lados inclinados, como el que se muestra en la Figura 14.

**NOTA:** Si el ángulo de corte varía de corte en corte, controle que la perilla de fijación de bisel y la perilla de bloqueo de inglete estén bien ajustadas. Estas perillas se deben ajustar después de hacer cualquier cambio de bisel o inglete.

El cuadro (Tabla 1) le ayudará a elegir las regulaciones de bisel e inglete adecuadas para los cortes de ingletes compuestos. Para utilizar este cuadro, seleccione el ángulo deseado "A" (Figura 14) del proyecto y ubique ese ángulo en el arco apropiado del cuadro. Desde ese punto, siga el cuadro en línea recta hacia abajo hasta encontrar el ángulo de bisel correcto y en línea perpendicular, para encontrar el ángulo de inglete correcto.

Fije la sierra en los ángulos indicados y efectúe algunos cortes de prueba. Practique empalmado las piezas cortadas hasta que se familiarice con este procedimiento y se sienta cómodo.

**Ejemplo:** Para hacer una caja de cuatro lados con ángulos exteriores de 26° (Ángulo A, Figura 14), utilice el arco derecho superior. Busque 26° en la escala del arco. Siga la línea de intersección horizontal hacia cualquiera de los lados para obtener la regulación del ángulo de inglete en la sierra (42°). De la misma manera, siga la línea de intersección vertical hacia la parte superior o inferior para obtener la regulación de ángulo de bisel en la sierra (18°). Siempre pruebe los cortes sobre algunas piezas de madera de descarte para verificar las regulaciones de la sierra.

### ESCALA VERNIER

La sierra viene con una escala vernier para mayor precisión. La escala vernier le permite fijar con precisión los ángulos de inglete al 1/4° más cercano. Para utilizar la escala vernier, siga los pasos descritos a continuación.

(Como ejemplo, supongamos que el ángulo que desea ingletar es 24-1/4° a la derecha).

1. Apague la sierra ingleteadora.
2. Fije el ángulo de inglete al grado entero más cercano deseado, alinee la marca central en la escala vernier como se muestra en la Figura 15, con el número de grado entero impreso en la escala de inglete. Analice la Figura 16 detenidamente, la configuración que se muestra es 24° de inglete a la derecha.

FIG. 15

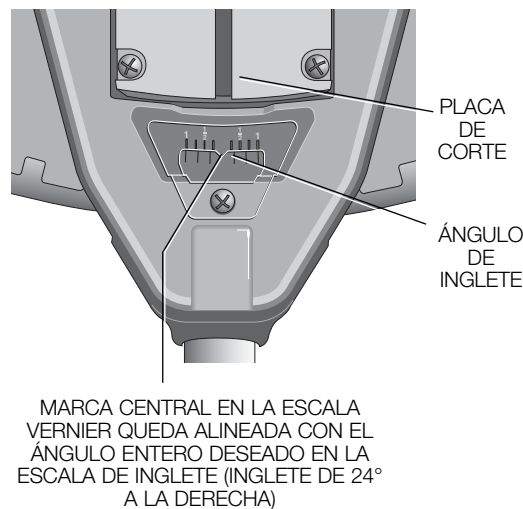
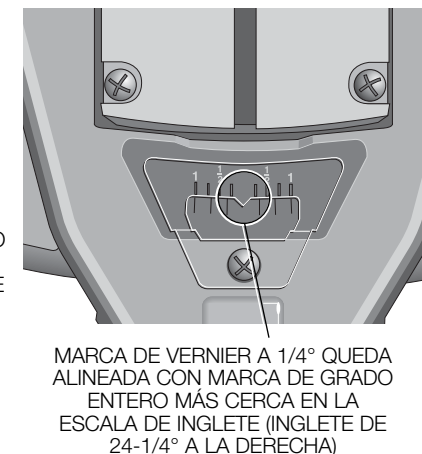


FIG. 16





- Para fijar el 1/4° adicional, oprima el bloqueo del brazo de inglete y mueva cuidadosamente el brazo a la DERECHA hasta que la marca de vernier de 1/4° quede alineada con la marca de grados MÁS CERCANA en la escala de inglete. En el ejemplo que se ilustra, la marca de grados más cercana en la escala de inglete es 25°. La Figura 16 muestra una configuración de 24-1/4° de inglete a la derecha.

Para las configuraciones que requieren grados parciales (1/4, 1/2, 3/4°), alinee la marca de vernier deseada con la marca de grados más cercana en la escala de inglete, como se describe a continuación (La placa vernier de plástico impresa con las marcas para 1/4, 1/2, 3/4 y 1°. Sólo el 1/2° y el 1° se rotulan numéricamente).

### INGLETE A LA DERECHA

Si desea incrementar el ángulo de inglete al ingletar a la derecha, mueva el brazo para alinear la marca de vernier adecuada con la marca más cercana en la escala de inglete a la derecha. Para disminuir el ángulo de inglete al ingletar a la derecha, mueva el brazo para alinear la marca de vernier adecuada con la marca más cercana en la escala de inglete a la izquierda.

### INGLETE A LA IZQUIERDA

Para incrementar el ángulo de inglete al ingletar a la izquierda, mueva el brazo para alinear la marca de vernier adecuada con la marca más cercana en la escala de inglete a la izquierda. Para disminuir el ángulo de inglete al ingletar a la izquierda, mueva el brazo para alinear la marca de vernier adecuada con la marca más cercana en la escala de inglete a la derecha.

### CORTE DE MOLDURAS DE BASE

SIEMPRE ENSAYE CON LA SIERRA APAGADA ANTES DE REALIZAR CUALQUIER TIPO DE CORTE.

Cortes rectos de 90°:

Ubique la madera contra el reborde y sosténgala en posición, como se muestra en la Figura 17. Encienda la sierra, permita que la hoja alcance la velocidad máxima y baje el brazo suavemente a través del corte.

### CORTE DE MOLDURAS DE BASE DE HASTA 152,4 MM (6") EN FORMA VERTICAL CONTRA EL REBORDE

Ubique el material como se muestra en la Figura 17.

Todos los cortes se realizan con la parte posterior de la moldura contra el reborde y la parte inferior de la moldura contra la base.

ESQUINA INTERIOR:

Lado izquierdo

1. Inglete izquierdo a 45°
2. Conserve el lado izquierdo del corte

corte

Lado derecho

1. Inglete derecho a 45°
2. Conserve el lado derecho del corte

ESQUINA EXTERNA:

Lado izquierdo

1. Inglete derecho a 45°
2. Conserve el lado izquierdo del

Lado derecho

1. Inglete izquierdo a 45°
2. Conserve el lado derecho del corte

Para cortar materiales de hasta 152 mm (6"), siga la descripción anterior.

### CORTE DE MOLDURAS DE CORONA

La sierra ingletadora es la herramienta más adecuada para las tareas de corte de molduras de corona. Para poder instalar adecuadamente las molduras de corona, los ingletes compuestos se deben regular con suma precisión.

Las dos superficies planas de una pieza de moldura de corona están en ángulos que, cuando se juntan, forman un ángulo de 90° exactos. La mayoría de las molduras de corona, aunque no todas, tienen un ángulo posterior superior (la sección que encaja horizontalmente contra el techo) a 52° y un ángulo posterior inferior (la parte que encaja plana contra la pared) a 38°.

La sierra ingletadora tiene puntos de cerrojo de inglete preestablecidos a 31,62° a la izquierda y derecha para cortes de molduras de corona del ángulo adecuado, y seguros de tope de bisel a 33,9° a la izquierda y derecha. También hay una marca en la escala de bisel a 33,9°.

La tabla de **Configuración de bisel/Tipo de corte** da las configuraciones correctas para cortar molduras de corona. (Los números para la fijación de inglete y bisel son muy precisos y no son fáciles de regular con precisión en la sierra). Dado que la mayoría de las habitaciones no tienen ángulos exactos a 90°, deberá afinar las regulaciones de todos modos.

**HACER PRUEBAS CON MATERIAL DE DESCARTE ES MUY IMPORTANTE!**

### INSTRUCCIONES PARA REALIZAR CORTES EN MOLDURAS DE CORONA EN FORMA HORIZONTAL Y UTILIZANDO FUNCIONES COMPUESTAS

1. La moldura se coloca con la superficie ancha posterior hacia abajo horizontalmente sobre la mesa de la sierra (Figura 18).
2. Los siguientes ajustes corresponden a las molduras de corona estándar (EE.UU.) con ángulos de 52 y 38°.

CONFIGURACIÓN DE BISEL	TIPO DE CORTE
33,9° izquierda	LADO IZQUIERDO, ESQUINA INTERIOR: 1. Parte superior de la moldura contra el reborde 2. Mesa de inglete a 31,62° a la derecha 3. Conserve el extremo izquierdo del corte
	LADO DERECHO, ESQUINA INTERIOR: 1. Parte superior de la moldura contra el reborde. 2. Mesa de inglete a 31,62° izquierda 3. Conserve el extremo derecho del corte
33,9° derecha	LADO IZQUIERDO, ESQUINA EXTERNA: 1. Parte superior de la moldura contra el reborde. 2. Mesa de inglete a 31,62° izquierda 3. Conserve el extremo izquierdo del corte
	LADO DERECHO, ESQUINA EXTERIOR: 1. Parte superior de la moldura contra el reborde 2. Mesa de inglete a 31,62° a la derecha 3. Conserve el extremo derecho del corte

Cuando fije los ángulos de bisel e inglete para todos los ingletes compuestos, recuerde que: Los ángulos presentados para las molduras de corona son muy precisos y difíciles de fijar con exactitud. Dado que los ángulos se pueden alterar con facilidad, y dado que pocas

habitaciones forman esquinas en escuadra exacta, todos los ajustes deben probarse en molduras de descarte

**HACER PRUEBAS CON MATERIAL DE DESCARTE ES MUY IMPORTANTE!**

**MÉTODO ALTERNATIVO PARA CORTAR MOLDURAS DE CORONA**

Coloque la moldura en la mesa a un ángulo entre el reborde y el banco de la sierra como se muestra en la Figura 18A. El uso del accesorio de reborde de la moldura de corona (DW7084) se recomienda encarecidamente dado su grado de precisión y conveniencia. Puede comprar el accesorio de reborde para molduras de corona en el distribuidor de su localidad.

La ventaja de cortar molduras de corona con este método es que no requiere ningún corte biselado. Se pueden realizar cambios minuciosos en el ángulo del inglete sin afectar el ángulo de bisel. De esta forma, cuando se encuentran esquinas que no tienen 90°, la sierra se puede regular rápida y fácilmente. Utilice el accesorio de reborde para molduras de corona para mantener el ángulo en el que estará la moldura sobre la pared.

**INSTRUCCIONES PARA CORTES DE MOLDURAS DE CORONA CON ÁNGULO ENTRE EL REBORDE Y LA BASE DE LA SIERRA PARA TODOS LOS CORTES**

1. Coloque en ángulo la moldura de manera que la parte inferior de la moldura (la que va contra la pared cuando está instalada) quede contra el reborde y la parte superior de la moldura se apoye sobre la base de la sierra, como se muestra en la Figura 18A.
2. Las "partes planas" anguladas de la parte posterior de la moldura deben apoyarse en escuadra sobre el reborde y la base de la sierra.

**ESQUINA INTERIOR:**

Lado izquierdo

1. Inglete derecho a 45°

2. Conserve el lado derecho del corte

**ESQUINA INTERIOR:**

Lado derecho

1. Inglete izquierdo a 45°

2. Conserve el lado izquierdo del corte

**ESQUINA EXTERNA:**

Lado izquierdo

1. Inglete izquierdo a 45°

2. Conserve el lado derecho del corte

**ESQUINA EXTERNA:**

Lado derecho

1. Inglete derecho a 45°

2. Conserve el lado izquierdo del corte

**Cortes especiales**

**NUNCA REALICE CORTES SIN QUE EL MATERIAL ESTÉ BIEN SUJETO A LA MESA Y CONTRA EL REBORDE.**

FIG. 17

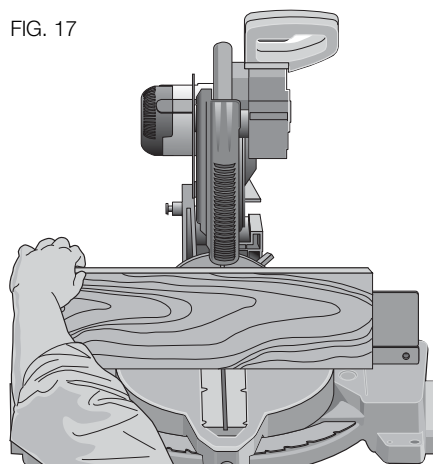


FIG. 18

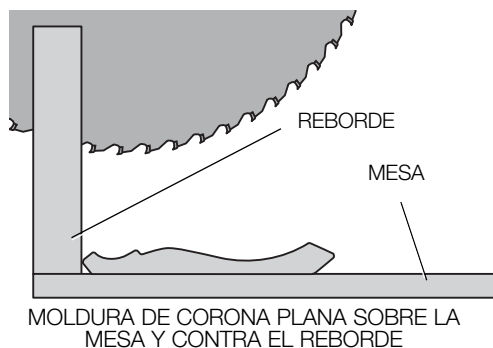
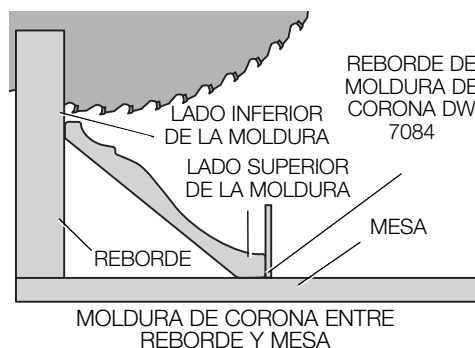


FIG. 18A



**CORTE DE ALUMINIO**

AUTILICE SIEMPRE HOJAS DE SIERRA ADECUADAS, FABRICADAS ESPECÍFICAMENTE PARA CORTAR ALUMINIO. Las puede conseguir en el comercio minorista DEWALT de su localidad o en el centro de mantenimiento DEWALT. Determinadas piezas de trabajo, debido a su tamaño, forma o acabado de superficie, pueden requerir el uso de una abrazadera o sujeción para evitar movimientos durante el corte. Coloque el material de manera de cortar la sección más delgada, como se muestra en la Figura 19. La Figura 19A muestra la forma incorrecta de cortar estas extrusiones. Utilice un lubricante de corte de cera en barra cuando corte aluminio. Aplique la cera en barra directamente en la hoja de la sierra antes de cortar. Nunca aplique cera en barra en una hoja en movimiento.

La cera, disponible en la mayoría de las ferreterías y en los comercios de abastecimiento para talleres industriales, ofrece la lubricación adecuada y evita que las rebabas se adhieran a la hoja.

Asegúrese de sujetar bien la pieza de trabajo en forma adecuada.

Consulte las **Hojas Para Sierras** en **Accesorios Opcionales** encontrará la hoja de sierra correcta.

**MATERIAL CURVADO**

Al cortar material curvado, coloque siempre de la forma que se muestra en la Figura 20 y nunca como se muestra en la Figura 20A. Colocar el material de forma incorrecta provocará accidentes en la hoja cerca de finalizar el corte.

**CORTES DE TUBERÍAS DE PLÁSTICO U OTROS MATERIALES REDONDOS**

Las tuberías de plástico se pueden cortar fácilmente con la sierra. Se cortan como madera y se sujetan o **SOSTIENEN FIRMEMENTE AL REBORDE PARA EVITAR QUE RUEDEN**. Esto es muy importante cuando se realizan cortes en ángulo.

**CORTE DE MATERIALES GRANDES**

Ocasionalmente se encontrará con una pieza de madera demasiado grande para caber por debajo de la guarda de la hoja. Si ocurre esto, simplemente ponga el pulgar derecho en la parte superior de la guarda inferior de la hoja y enróllelo hacia arriba lo suficiente para despejar la pieza de trabajo, como se muestra en la Figura 21. Suelte la guarda inferior de la hoja antes de encender la sierra y empezar a cortar. Evite hacer esto con demasiada frecuencia, pero si es necesario, la sierra funcionará correctamente y realizará el corte más grande. **NUNCA ATE, ENCINTE NI MANTENGA ABIERTA LA GUARDA MIENTRAS OPERA ESTA SIERRA. NO LEVANTE NUNCA LA UNIDAD DEL PROTECTOR INFERIOR MANUALMENTE A MENOS QUE LA HOJA ESTÉ PARADA.**

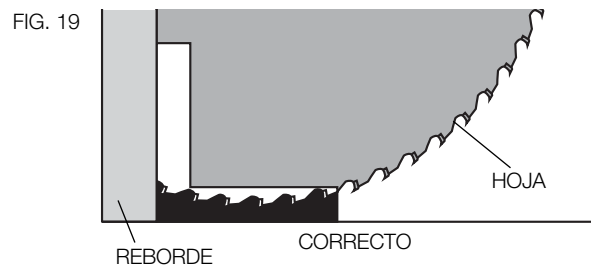


FIG. 19A

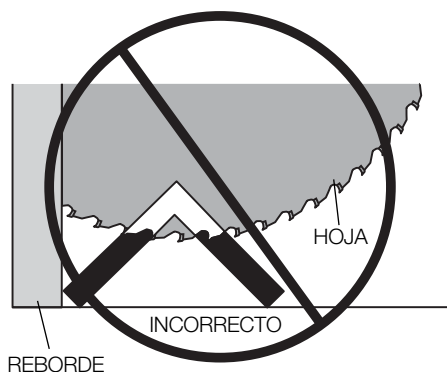


FIG. 20

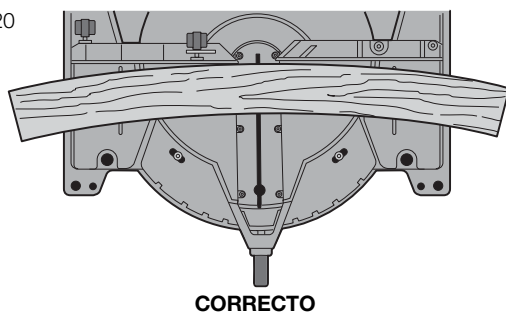
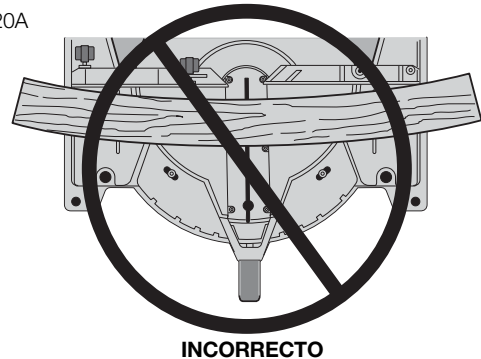


FIG. 20A



## CONFIGURACIÓN ESPECIAL PARA CORTES TRANSVERSALES ANCHOS

La sierra puede cortar piezas de trabajo muy anchas (de hasta 406 mm [10"]) cuando se utiliza una configuración especial. Para configurar la sierra para cortar estas piezas de trabajo, siga los siguientes pasos:

1. Retire ambos rebordes deslizantes, izquierdo y derecho de la sierra, y déjelos a un lado. Para retirarlos, desenrosque las perillas del reborde varias veces y deslice cada reborde hacia fuera. Ajuste y bloquee el control de inglete de manera tal que quede a 0° de inglete.
2. Realice una plataforma usando una pieza de 38 mm (1,5") de espesor de una placa de partículas o madera espesa similar plana y fuerte de 38 mm, con las siguientes dimensiones: 254 x 610 mm (10" x 24"). La plataforma debe ser plana. De lo contrario, el material se podría mover durante el corte y provocar lesiones.
3. Coloque la plataforma de 254 x 610 mm (10" x 24") sobre la sierra utilizando 4 tornillos de madera de 101,6 mm (4") de largo a través de los orificios en el reborde de la base (Fig. 22). Se deben usar cuatro tornillos para sujetar adecuadamente el material. Cuando se utiliza la configuración especial, la plataforma se cortará en dos piezas. Asegúrese de que los tornillos estén ajustados adecuadamente, de lo contrario el material se aflojará y podría provocar lesiones. Asegúrese de que la plataforma sea plana y esté firme sobre la mesa, contra el reborde y centrada en forma pareja de izquierda a derecha.

**⚠ADVERTENCIA:** Asegúrese de que la sierra esté montada firmemente en una superficie plana estable. De lo contrario, la sierra quedaría inestable y se podría caer, provocando lesiones personales.

4. Coloque la pieza de trabajo que será cortada sobre la plataforma montada en la mesa. Asegúrese de que la pieza de trabajo esté firme contra el reborde posterior (Fig. 22).
5. Sujete el material antes de cortar. Corte lentamente a través del material. Si el material no está bien sujeto o si no se corta lentamente, se podría aflojar y provocar lesiones.

Una vez que se han hecho varios cortes en otros ángulos de inglete diferentes a 0°, la plataforma puede aflojarse y no soportar adecuadamente el trabajo. Instale una nueva plataforma sin uso en la sierra después de predeterminedar el ángulo de inglete necesario.

**⚠ATENCIÓN:** El uso continuado de una plataforma con varios cortes podría resultar en la pérdida del control del material y en posibles lesiones.

## Retiro y reemplazo de la correa

La correa está diseñada para durar toda la vida útil de la herramienta. Sin embargo, el abuso de la herramienta podría provocar que falle la correa.

FIG. 21

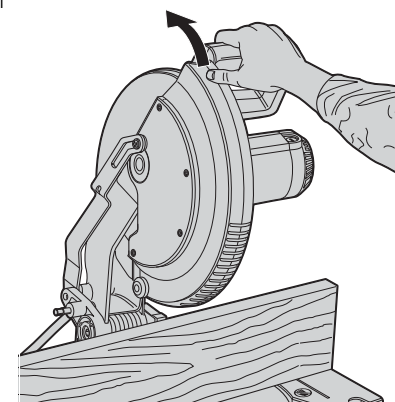


FIG. 22

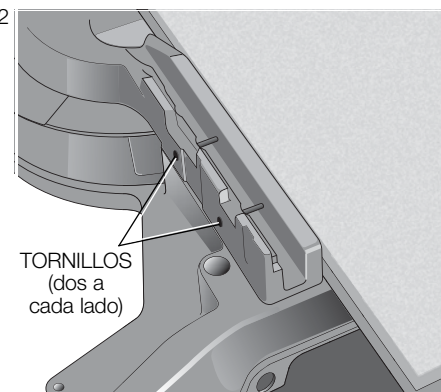
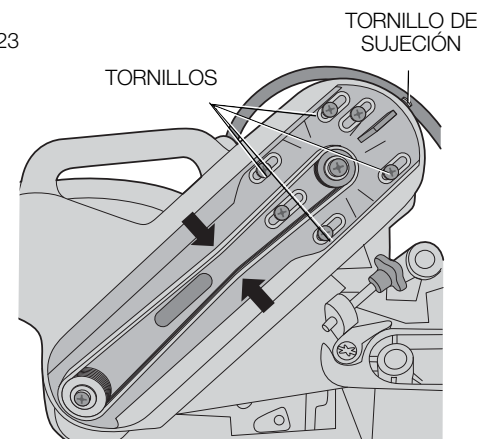


FIG. 23



Si la hoja no se activa cuando el motor está en funcionamiento, significa que la correa no funciona. Para inspeccionar o reemplazar la correa, retire los tornillos de la cubierta de la correa. Retire la cubierta de la correa. Inspeccione las varillas de la correa para ver si están desgastadas o fallan. Controle la tensión de la correa apretándola como se muestra en la Figura 23. Las mitades de la correa deberían casi tocarse cuando se las aprieta firmemente con el pulgar y el índice.

Para ajustar la tensión, afloje, pero no retire, los cuatro tornillos con cabeza Phillips. Luego gire el tornillo de sujeción que está en la parte superior de la placa del motor hasta lograr la tensión adecuada. Ajuste los cuatro tornillos firmemente y reemplace la cubierta de la correa.

**NOTA:** Si la correa está excesivamente ajustada, puede provocar la falla prematura del motor.

## MANTENIMIENTO

**⚠️ ADVERTENCIA:** Para reducir el riesgo de lesiones personales graves, apague la herramienta y desconéctela de la fuente de alimentación antes de instalar y retirar accesorios, ajustar o cambiar configuraciones o realizar reparaciones. Un arranque accidental podría causar lesiones.

NO UTILICE los lubricantes o los limpiadores (particularmente aerosol) en la vecindad del protector plástico. El material del polycarbonato usado en el protector está conforme a ataque al lado de ciertos productos químicos.

1. Todos los rodamientos están sellados. Están lubricados de por vida y no necesitan más mantenimiento.
2. Regularmente quite el polvo y las astillas de madera de alrededor Y DEBAJO de la base y la mesa giratoria. Si bien hay ranuras para permitir que pasen los residuos, siempre se acumula algo de polvo.
3. Los cepillos están diseñados para durar varios años. Si alguna vez los tiene que reemplazar, siga las instrucciones que se incluyen en **Brushes** o lleve la herramienta a reparar al centro de mantenimiento más cercano.

## Limpieza de la luz de trabajo

Para obtener el mejor rendimiento del la luz de trabajo, realice el siguiente mantenimiento en forma regular.

- Quite cuidadosamente el aserrín y los desechos de la lente de la luz de trabajo con hisopos de algodón.
- NO utilice solventes de ningún tipo, podrían dañar los lentes.
- La acumulación de polvo puede bloquear la luz de trabajo y evitar que indique con precisión la línea de corte.
- Siga las instrucciones del manual de la sierra ingletadora para retirar e instalar hojas.
- Una vez que ha retirado la hoja de la sierra, quite la resina y la acumulación de polvo de la hoja. La resina y los desechos pueden bloquear la luz de trabajo y evitar que indique con precisión la línea de corte.

## Información sobre servicio

Por favor tenga a mano la siguiente información para todas las llamadas al servicio de reparaciones:

Número de modelo \_\_\_\_\_ Tipo \_\_\_\_\_ Número de serie \_\_\_\_\_

Fecha y lugar de compra \_\_\_\_\_

## Reparaciones

Para asegurar la SEGURIDAD y la CONFIABILIDAD del producto, las reparaciones, el mantenimiento y los ajustes deben (inclusive inspección y cambio de carbones) ser realizados en un centro de mantenimiento en la fábrica DEWALT, en un centro de mantenimiento autorizado DEWALT u por otro personal de mantenimiento calificado. Utilice siempre piezas de repuesto idénticas.

## PARA REPARACIÓN Y SERVICIO DE SUS HERRAMIENTAS ELÉCTRICAS, FAVOR DE DIRIGIRSE AL CENTRO DE SERVICIO MÁS CERCANO

### CULIACAN, SIN

Bld.Emiliano Zapata 5400-1 Poniente  
Col. San Rafael (667) 717 89 99

### GUADALAJARA, JAL

Av. La Paz #1779 - Col. Americana Sector Juárez (33) 3825 6978

### MEXICO, D.F.

Eje Central Lázaro Cárdenas No. 18  
Local D, Col. Obrera (55) 5588 9377

### MERIDA, YUC

Calle 63 #459-A - Col. Centro (999) 928 5038

### MONTERREY, N.L.

Av. Francisco I. Madero 831 Poniente - Col. Centro (818) 375 23 13

### PUEBLA, PUE

17 Norte #205 - Col. Centro (222) 246 3714

### QUERETARO, QRO

Av. San Roque 274 - Col. San Gregorio (442) 2 17 63 14

### SAN LUIS POTOSI, SLP

Av. Universidad 1525 - Col. San Luis (444) 814 2383

### TORREON, COAH

Bld. Independencia, 96 Pte. - Col. Centro (871) 716 5265

### VERACRUZ, VER

Prolongación Díaz Mirón #4280 - Col. Remes (229) 921 7016

### VILLAHERMOSA, TAB

Constitución 516-A - Col. Centro (993) 312 5111

### PARA OTRAS LOCALIDADES:

Si se encuentra en México, por favor llame al (55) 5326 7100

Si se encuentra en U.S., por favor llame al  
1-800-433-9258 (1-800 4-DEWALT)

## Póliza de Garantía

IDENTIFICACIÓN DEL PRODUCTO:

Sello o firma del Distribuidor.

Nombre del producto: \_\_\_\_\_ Mod./Cat.: \_\_\_\_\_

Marca: \_\_\_\_\_ Núm. de serie: \_\_\_\_\_

(Datos para ser llenados por el distribuidor)

Fecha de compra y/o entrega del producto: \_\_\_\_\_

Nombre y domicilio del distribuidor donde se adquirió el producto: \_\_\_\_\_

Este producto está garantizado por un año a partir de la fecha de entrega, contra cualquier defecto en su funcionamiento, así como en materiales y mano de obra empleados para su fabricación. Nuestra garantía incluye la reparación o reposición del producto y/o componentes sin cargo alguno para el cliente, incluyendo mano de obra, así como los gastos de transportación razonablemente erogados derivados del cumplimiento de este certificado.

Para hacer efectiva esta garantía deberá presentar su herramienta y esta póliza sellada por el establecimiento comercial donde se adquirió el producto, de no contar con ésta, bastará la factura de compra.



## EXCEPCIONES

Esta garantía no será válida en los siguientes casos:

- Cuando el producto se hubiese utilizado en condiciones distintas a las normales;
- Cuando el producto no hubiese sido operado de acuerdo con el instructivo de uso que se acompaña;
- Cuando el producto hubiese sido alterado o reparado por personas distintas a las enlistadas al final de este certificado.

Anexo encontrará una relación de sucursales de servicio de fábrica, centros de servicio autorizados y franquiciados en la República Mexicana, donde podrá hacer efectiva su garantía y adquirir partes, refacciones y accesorios originales.

## Registro en línea

Gracias por su compra. Registre su producto ahora para:

- **SERVICIO EN GARANTÍA:** Si completa esta tarjeta, podrá obtener un servicio en garantía más eficiente, en caso de que exista un problema con su producto.
- **CONFIRMACIÓN DE PROPIEDAD:** En caso de una pérdida que cubra el seguro, como un incendio, una inundación o un robo, el registro de propiedad servirá como comprobante de compra.
- **PARA SU SEGURIDAD:** Si registra el producto, podremos comunicarnos con usted en el caso improbable que se deba enviar una notificación de seguridad conforme a la Federal Consumer Safety Act (Ley Federal de Seguridad de Productos para el Consumidor).

Registro en línea en [www.dewalt.com/register](http://www.dewalt.com/register).

## Garantía limitada por tres años

DEWALT reparará, sin cargo, cualquier falla que surja de defectos en el material o la fabricación del producto, por hasta tres años a contar de la fecha de compra. Esta garantía no cubre fallas de las piezas causadas por su desgaste normal o abuso a la herramienta. Para mayores detalles sobre la cobertura de la garantía e información acerca de reparaciones realizadas bajo garantía, visítenos en [www.dewalt.com](http://www.dewalt.com) o diríjase al centro de servicio más cercano. Esta garantía no aplica a accesorios o a daños causados por reparaciones realizadas o intentadas por terceros. Esta garantía le otorga derechos legales específicos, además de los cuales puede tener otros dependiendo del estado o la provincia en que se encuentre.

Además de la garantía, las herramientas DEWALT están cubiertas por:

### 1 AÑO DE SERVICIO GRATUITO

DEWALT mantendrá la herramienta y reemplazará las piezas gastadas por su uso normal, sin cobro, en cualquier momento durante un año a contar de la fecha de compra. Los artículos gastados por la clavadora, tales como la unidad de hoja y retorno del impulsador, no están cubiertas.

### GARANTÍA DE REEMBOLSO DE SU DINERO POR 90 DÍAS

Si no está completamente satisfecho con el desempeño de su máquina herramienta, láser o clavadora DEWALT, cualquiera sea el motivo, podrá devolverlo hasta 90 días de la fecha de compra con su recibo y obtener el reembolso completo de su dinero – sin necesidad de responder a ninguna pregunta.

**AMÉRICA LATINA:** Esta garantía no se aplica a los productos que se venden en América Latina. Para los productos que se venden en América Latina, debe consultar la información de la garantía específica del país que viene en el empaque, llamar a la compañía local o visitar el sitio Web a fin de obtener esa información.

**REEMPLAZO GRATUITO DE LAS ETIQUETAS DE ADVERTENCIAS:** Si sus etiquetas de advertencia se vuelven ilegibles o faltan, llame al 1-800-4-DEWALT (1-800-433-9258) para que se le reemplacen gratuitamente.

## Especificaciones

### DW716

Tensión de alimentación:	120 V AC ~
Consumo de corriente:	15 A
Frecuencia de alimentación:	60 Hz
Potencia de entrada:	1 675 W
Rotación sin carga:	3 800/min

SOLAMENTE PARA PROPÓSITO DE MÉXICO:  
IMPORTADO POR: DEWALT INDUSTRIAL TOOL CO. S.A. DE C.V.  
AVENIDA ANTONIO DOVALI JAIME, # 70 TORRE B PISO 9  
COLONIA LA FE, SANTA FÉ  
CÓDIGO POSTAL : 01210  
DELEGACIÓN ALVARO OBREGÓN  
MÉXICO D.F.  
TEL. (52) 555-326-7100  
R.F.C.: BDE810626-1W7

Para servicio y ventas consulte  
"HERRAMIENTAS ELÉCTRICAS"  
en la sección amarilla.

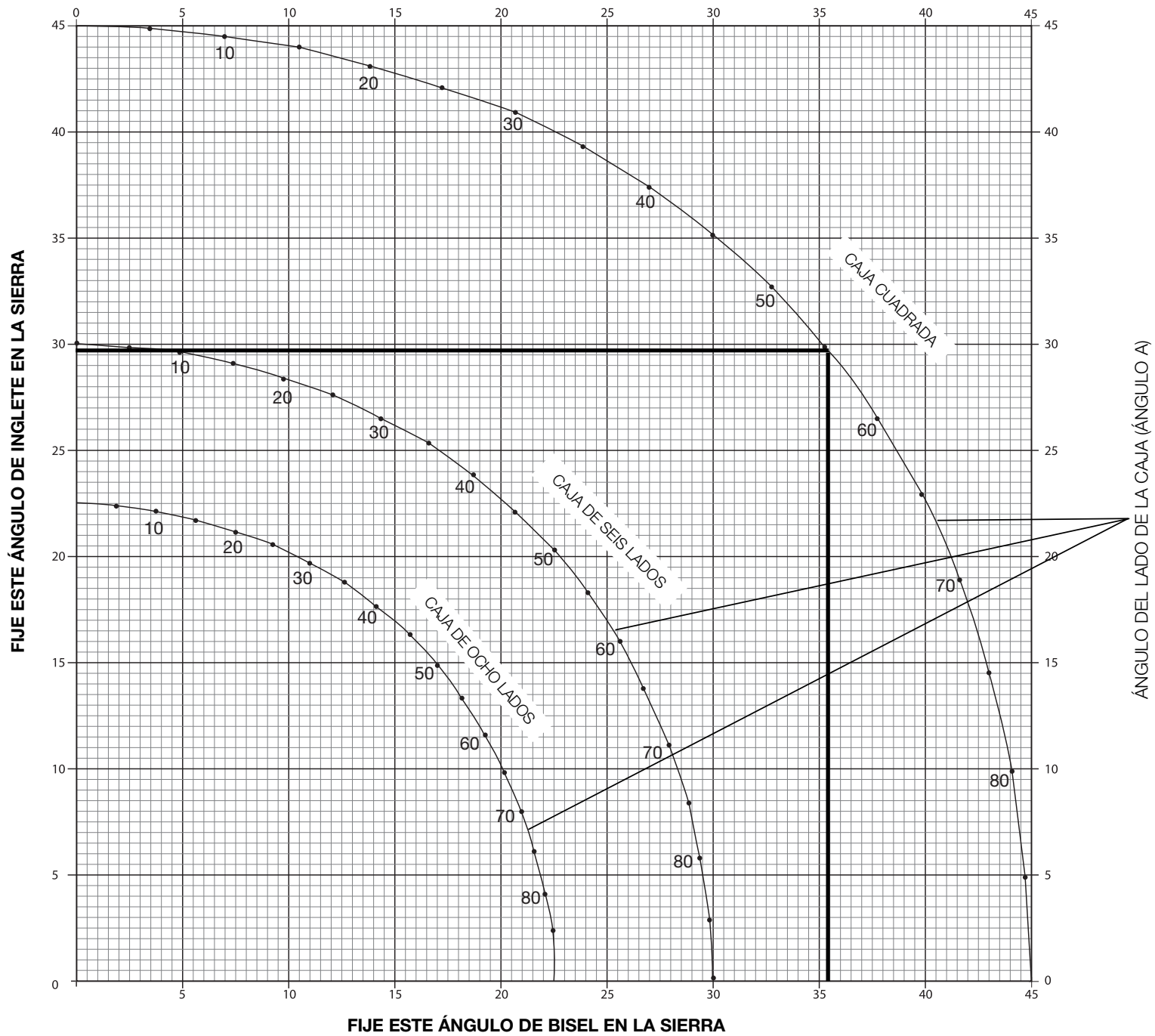


**Guía para solucionar problemas**  
**ASEGÚRESE DE SEGUIR LAS REGLAS E INSTRUCCIONES DE SEGURIDAD**

PROBLEMA:	¿QUÉ SUCEDE?	QUÉ HACER...
<b>La sierra no se enciende</b>	1. La sierra no está enchufada	1. Enchufe la sierra.
	2. Fusible quemado o interruptor automático activado	2. Reemplace el fusible o reinicie el interruptor automático.
	3. Cable dañado	3. Haga cambiar el cable por el centro de mantenimiento autorizado.
	4. Cepillos gastados	4. Haga reemplazar los cepillos por el centro de mantenimiento autorizado o reemplácelos usted mismo como se indica en <b>Cepillos</b> .
<b>La sierra realiza cortes no satisfactorios</b>	1. Hoja sin filo	1. Reemplace la hoja. Consulte <b>Cambio O Instalación De Una Hoja De Sierra Nueva</b> .
	2. Hoja montada al revés	2. Vire la hoja. Consulte <b>Cambio O Instalación De Una Hoja De Sierra Nueva</b> .
	3. Depósitos de goma o grumos de resina sobre la hoja	3. Retire la hoja y límpiela con aguarrás y lana de acero gruesa o limpiador para hornos hogareños.
	4. Hoja incorrecta para el trabajo que se realiza	4. Cambie el tipo de hoja. Consulte <b>Descripciones De Las Hojas</b> en <b>Accesorios</b> .
<b>La hoja no alcanza velocidad</b>	1. Cable prolongador demasiado liviano o demasiado largo	1. Reemplácelo por un cable de tamaño adecuado. Consulte <b>Utilice el Cable Prolongador Adecuado</b> en <b>Instrucciones de Seguridad Importantes</b> .
	2. Baja corriente en el hogar	2. Comuníquese con la empresa de energía eléctrica.
<b>La máquina vibra excesivamente</b>	1. La sierra no está montada firmemente en el soporte o banco de trabajo	1. Apriete todos los tornillos de montaje. Consulte <b>Montaje En El Banco De Trabajo</b> .
	2. El soporte o el banco están sobre un piso desparejo	2. Reubique sobre una superficie de nivel plano. Consulte <b>Familiarizarse</b> .
	3. Hoja de sierra dañada	3. Reemplace la hoja. Consulte <b>Cambio O Instalación De Una Hoja De Sierra Nueva</b> .
<b>No realiza cortes de inglete precisos</b>	1. La escala de inglete no está correctamente regulada	1. Verifique y regule. Consulte las <b>Ajuste de la Escala de Inglete</b> en <b>Ajustes</b> .
	2. El indicador de inglete no está correctamente regulado	2. Verifique y regule. Consulte las <b>Regulación Del Indicador De Inglete</b> en <b>Ajustes</b> .
	3. La pieza de trabajo no está perpendicular a la mesa	3. Verifique y ajuste el reborde. Consulte las <b>Regulación Del Reborde</b> en <b>Ajustes</b> .
	4. La pieza de trabajo se mueve	4. Sujete la pieza de trabajo al reborde o engome un papel de lija de 120 al reborde con cemento para caucho.
<b>El material muerde la hoja</b>	1. Cortes de material curvado	1. Consulte las <b>Material Curvado</b> en <b>Cortes especiales</b> .

**TABLA 1: CORTE DE INGLETE COMPUESTO**

(UBIQUE LA MADERA CON EL LADO PLANO ANCHO SOBRE LA MESA Y EL BORDE ANGOSTO CONTRA EL REBORDE)



DEWALT Industrial Tool Co., 701 East Joppa Road, Towson, MD 21286

(JUL14) Part No. N403695 DW716, DW716XPS Copyright © 2005, 2008, 2009, 2012, 2014 DEWALT

The following are trademarks for one or more DEWALT power tools: the yellow and black color scheme; the “D” shaped air intake grill; the array of pyramids on the handgrip; the kit box configuration; and the array of lozenge-shaped humps on the surface of the tool.



## Free Manuals Download Website

<http://myh66.com>

<http://usermanuals.us>

<http://www.somanuals.com>

<http://www.4manuals.cc>

<http://www.manual-lib.com>

<http://www.404manual.com>

<http://www.luxmanual.com>

<http://aubethermostatmanual.com>

Golf course search by state

<http://golfingnear.com>

Email search by domain

<http://emailbydomain.com>

Auto manuals search

<http://auto.somanuals.com>

TV manuals search

<http://tv.somanuals.com>