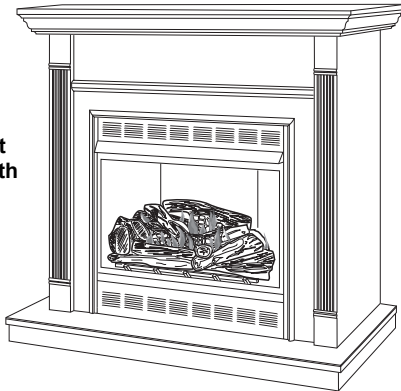


DESA™

HEARTH PRODUCTS

UNVENTED (VENT-FREE) GAS FIREPLACE OWNER'S OPERATION AND INSTALLATION MANUAL

Shown with
optional cabinet
mantel with hearth
base and trim
accessories.



Patent Pending



We recommend that our products be installed and serviced by professionals who are certified in the U.S. by NFI (National Fireplace Institute).
www.nficertified.org

VYGF33PRC AND VYGF33NRC REMOTE-READY GAS FIREPLACE SYSTEMS

⚠ WARNING: If the information in this manual is not followed exactly, a fire or explosion may result causing property damage, personal injury or loss of life.

- Do not store or use gasoline or other flammable vapors and liquids in the vicinity of this or any other appliance.
- **WHAT TO DO IF YOU SMELL GAS**
 - Do not try to light any appliance.
 - Do not touch any electrical switch; do not use any phone in your building.
 - Immediately call your gas supplier from a neighbor's phone. Follow the gas supplier's instructions.
 - If you cannot reach your gas supplier, call the fire department.
- Installation and service must be performed by a qualified installer, service agency or the gas supplier.

INSTALLER: Leave this manual with the appliance.
CONSUMER: Retain this manual for future reference.

For more information, visit www.desatech.com

TABLE OF CONTENTS

| | | | |
|--|----|-------------------------|------------|
| Safety | 2 | Troubleshooting | 25 |
| Product Identification | 4 | Wiring Diagram | 29 |
| Local Codes | 5 | Specifications | 29 |
| Unpacking | 5 | Replacement Parts | 29 |
| Product Features | 5 | Technical Service | 29 |
| Air For Combustion And Ventilation | 6 | Service Hints | 29 |
| Installation | 8 | Parts | 30 |
| Operation | 19 | Accessories | 34 |
| Inspecting Burner | 23 | Warranty | Back Cover |
| Cleaning and Maintenance | 24 | | |

SAFETY

⚠ WARNING: Improper installation, adjustment, alteration, service or maintenance can cause injury or property damage. Refer to this manual for correct installation and operational procedures. For assistance or additional information consult a qualified installer, service agency or the gas supplier.

⚠ WARNING: This is an unvented gas-fired heater. It uses air (oxygen) from the room in which it is installed. Provisions for adequate combustion and ventilation air must be provided. Refer to *Air for Combustion and Ventilation* section on page 6 of this manual.

This appliance may be installed in an aftermarket,* permanently located, manufactured (mobile) home, where not prohibited by local codes.

This appliance is only for use with the type of gas indicated on the rating plate. This appliance is not convertible for use with other gases.

* Aftermarket: Completion of sale, not for purpose of resale, from the manufacturer

⚠ WARNING: This product contains and/or generates chemicals known to the state of California to cause cancer or birth defects or other reproductive harm.

IMPORTANT: Read this owner's manual carefully and completely before trying to assemble, operate or service this heater. Improper use of this heater can cause serious injury or death from burns, fire, explosion, electrical shock and carbon monoxide poisoning.

SAFETY

Continued

⚠ DANGER: Carbon monoxide poisoning may lead to death!

Carbon Monoxide Poisoning: Early signs of carbon monoxide poisoning resemble the flu, with headaches, dizziness or nausea. If you have these signs, the fireplace may not be working properly. Get fresh air at once! Have fireplace serviced. Some people are more affected by carbon monoxide than others. These include pregnant women, people with heart or lung disease or anemia, those under the influence of alcohol and those at high altitudes.

Natural and Propane/LP Gas: Natural and Propane/LP gases are odorless. An odor-making agent is added to these gases. The odor helps you detect a gas leak. However, the odor added to the gas can fade. Gas may be present even though no odor exists.

Make certain you read and understand all warnings. Keep this manual for reference. It is your guide to safe and proper operation of this fireplace.

⚠ WARNING: Any change to this heater or its controls can be dangerous.

⚠ WARNING: Do not use a blower insert, heat exchanger insert or other accessory not approved for use with this heater.

⚠ WARNING: Do not allow fans to blow directly into the fireplace. Avoid any drafts that alter burner flame patterns. Ceiling fans can create drafts that alter burner flame patterns. Altered burner patterns can cause sooting.

Due to high temperatures, the appliance should be located out of traffic and away from furniture and draperies.

Do not place clothing or other flammable material on or near the appliance. Never place any objects on the heater.

Fireplace front and screen become very hot when running fireplace. Keep children and adults away from hot surfaces to avoid burns or clothing ignition. Fireplace will remain hot for a time after shutdown. Allow surfaces to cool before touching.

Carefully supervise young children when they are in the room with fireplace. When using the optional hand-held remote accessory, keep selector switch in the OFF position to prevent children from turning on burners with remote.

You must operate this fireplace with the fireplace screen and hood in place. Make sure fireplace screen and hood are in place before running fireplace.

Keep the appliance area clear and free from combustible materials, gasoline and other flammable vapors and liquids.

1. This appliance is only for use with the type of gas indicated on the rating plate. This appliance is not convertible for use with other gases.
2. Do not place propane/LP supply tank(s) inside any structure. Locate propane/LP supply tank(s) outdoors (propane/LP units only).

SAFETY

Continued

3. If you smell gas
 - shut off gas supply
 - do not try to light any appliance
 - do not touch any electrical switch; do not use any phone in your building
 - immediately call your gas supplier from a neighbor's phone. Follow the gas supplier's instructions
 - if you cannot reach your gas supplier, call the fire department
4. This fireplace shall not be installed in a bedroom or bathroom.
5. Do not use this fireplace as a wood-burning fireplace. Use only the logs provided with the fireplace.
6. Do not add extra logs or ornaments such as pine cones, vermiculite or rock wool. Using these added items can cause soot-ing. Do not add lava rock around base. Rock and debris could fall into the control area of fireplace.
7. To prevent the creation of soot, follow the instructions in Cleaning and Maintenance, page 24.
8. Before using furniture polish, wax, carpet cleaner or similar products, turn heater off. If heated, the vapors from these products may create a white powder residue within burner box or on adjacent walls or furniture.
9. This fireplace needs fresh air ventilation to run properly. This fireplace has an Oxygen Depletion Sensing (ODS) safety shutoff system. The ODS shuts down the fireplace if enough fresh air is not available. See Air for Combustion and Ventilation, page 6. If fireplace keeps shutting off, see Trouble-shooting, page 25.
10. Do not run fireplace
 - where flammable liquids or vapors are used or stored
 - under dusty conditions
11. Do not use this fireplace to cook food or burn paper or other objects.
12. Do not use fireplace if any part has been exposed to or under water. Immediately call a qualified service technician to inspect the fireplace and to replace any part of the control system and any gas control which has been under water.
13. Do not operate fireplace if any log is broken. Do not operate fireplace if a log is chipped (dime-sized or larger).
14. Turn fireplace off and let cool before servicing. Only a qualified service person should service and repair fireplace.
15. Operating fireplace above elevations of 4,500 feet could cause pilot outage.
16. To prevent performance problems in propane/LP units, do not use propane/LP fuel tanks of less than 100 lbs. capacity (propane/LP units only).
17. Provide adequate clearances around air openings.

PRODUCT IDENTIFICATION

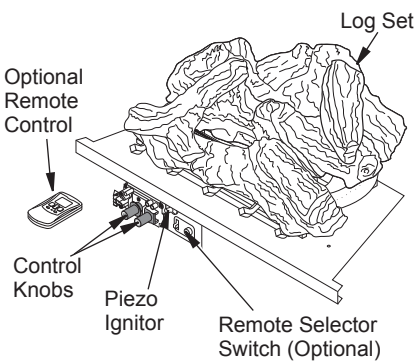


Figure 1 - Log Base Assembly

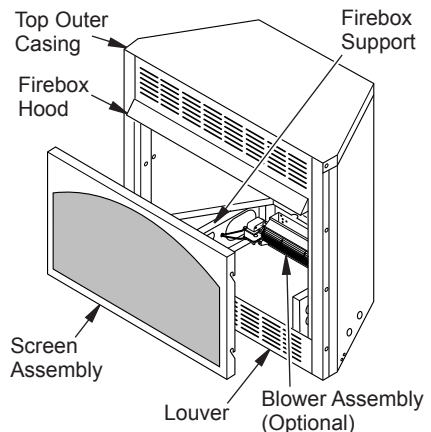


Figure 2 - Fireplace

LOCAL CODES

Install and use fireplace with care. Follow all local codes. In the absence of local codes, use the latest edition of *The National Fuel Gas Code, ANSI Z223.1/NFPA 54**.

*Available from:


American National Standards Institute, Inc.
1430 Broadway
New York, NY 10018
National Fire Protection Association, Inc.
Batterymarch Park
Quincy, MA 02269

State of Massachusetts: The installation must be made by a licensed plumber or gas fitter in the Commonwealth of Massachusetts.

Sellers of unvented propane or natural gas-fired supplemental room heaters shall provide to each purchaser a copy of 527 CMR 30 upon sale of the unit.

Vent-free gas products are prohibited for bedroom and bathroom installation in the Commonwealth of Massachusetts.

UNPACKING

 **CAUTION: Do not remove the data plates attached to the heater base assembly. The data plates contain important warranty and safety information.**

1. With utility knife, cut the carton all the way around above the staples on the bottom tray. Lift the carton off the heater. Remove packing.

Note: The hood is located in the packing on the right hand side of the heater front. Lift the heater off the bottom tray.

2. Locate two screws above top corners of the fireplace screen. Remove and discard these screws. Lift fireplace screen up and pull out to remove.
3. Remove protective packaging applied to logs, log base assembly and fireplace.
4. Remove fireplace hood from carton insert.
5. Check all items for any shipping damage. If damaged, promptly inform dealer where you bought fireplace.

PRODUCT FEATURES

OPERATION

This vent-free fireplace is clean burning. It requires no outside venting. There is no heat loss out a vent or up a chimney. Heat is generated by realistic flames. When used without the blower, fireplace requires no electricity making it ideal for emergency backup heat. This heater is designed for vent-free operation. It has been tested and approved to ANSI Z21.11.2 standard for unvented heaters. State and local codes in some areas prohibit the use of vent-free heaters.

SAFETY DEVICE

This fireplace has a pilot with an Oxygen Depletion Sensing (ODS) safety shutoff system. The ODS/pilot is a required feature for vent-free room heaters. The ODS/pilot system shuts off the fireplace if there is not enough fresh air.

PIEZO IGNITION SYSTEM

This fireplace has a piezo ignitor. This system requires no matches, batteries or other sources to light fireplace.

OPTIONAL REMOTE CONTROL UNITS

There are four optional remote controls that can be purchased separately for this log heater:

- wall switch
- wall thermostat
- hand-held ON/OFF remote
- hand-held thermostat remote

See [Accessories](#), page 34.

OPTIONAL BLOWER ASSEMBLY (GA3700 SERIES & GA3700T SERIES)

This fireplace accepts an optional blower assembly (not included). The GA3700T Series blower operates thermostatically and features a variable speed control. The GA3700 Series blower operates manually and also features a variable speed control. The blower circulates heated air from the fireplace into the room.

See [Accessories](#), page 34.

AIR FOR COMBUSTION AND VENTILATION

⚠ WARNING: This heater shall not be installed in a room or space unless the required volume of indoor combustion air is provided by the method described in the *National Fuel Gas Code, ANSI Z223.1/NFPA 54*, the *International Fuel Gas Code*, or applicable local codes. Read the following instructions to insure proper fresh air for this and other fuel-burning appliances in your home.

Today's homes are built more energy efficient than ever. New materials, increased insulation and new construction methods help reduce heat loss in homes. Home owners weather strip and caulk around windows and doors to keep the cold air out and the warm air in. During heating months, home owners want their homes as airtight as possible.

While it is good to make your home energy efficient, your home needs to breathe. Fresh air must enter your home. All fuel-burning appliances need fresh air for proper combustion and ventilation.

Exhaust fans, fireplaces, clothes dryers and fuel burning appliances draw air from the house to operate. You must provide adequate fresh air for these appliances. This will insure proper venting of vented fuel-burning appliances.

PROVIDING ADEQUATE VENTILATION

The following are excerpts from *National Fuel Gas Code, ANSI Z223.1/NFPA 54, Air for Combustion and Ventilation*.

All spaces in homes fall into one of the three following ventilation classifications:

1. Unusually Tight Construction
2. Unconfined Space
3. Confined Space

The information on pages 6 through 8 will help you classify your space and provide adequate ventilation.

Unusually Tight Construction

The air that leaks around doors and windows may provide enough fresh air for combustion and ventilation. However, in buildings of unusually tight construction, you must provide additional fresh air.

Unusually tight construction is defined as construction where:

- a. walls and ceilings exposed to the outside atmosphere have a continuous water vapor retarder with a rating of one perm (6×10^{-11} kg per pa-sec- m^2) or less with openings gasketed or sealed and
- b. weather stripping has been added on openable windows and doors and
- c. caulking or sealants are applied to areas such as joints around window and door frames, between sole plates and floors, between wall-ceiling joints, between wall panels, at penetrations for plumbing, electrical and gas lines and at other openings.

If your home meets all of these three criteria, you must provide additional fresh air. See [Ventilation Air From Outdoors](#), page 7.

If your home does not meet all of the three criteria above, proceed to [Determining Fresh-Air Flow For Heater Location](#).

Confined and Unconfined Space

The *National Fuel Gas Code, ANSI Z223.1/NFPA 54* defines a confined space as a space whose volume is less than 50 cubic feet per 1,000 Btu per hour (4.8 m^3 per kw) of the aggregate input rating of all appliances installed in that space and an unconfined space as a space whose volume is not less than 50 cubic feet per 1,000 Btu per hour (4.8 m^3 per kw) of the aggregate input rating of all appliances installed in that space. Rooms communicating directly with the space in which the appliances are installed*, through openings not furnished with doors, are considered a part of the unconfined space.

* Adjoining rooms are communicating only if there are doorless passageways or ventilation grills between them.

DETERMINING FRESH-AIR FLOW FOR HEATER LOCATION

Determining if You Have a Confined or Unconfined Space

Use this work sheet to determine if you have a confined or unconfined space.

Space: Includes the room in which you will install fireplace plus any adjoining rooms with doorless passageways or ventilation grills between the rooms.

AIR FOR COMBUSTION AND VENTILATION

Continued

- Determine the volume of the space (length x width x height).
Length x Width x Height = _____ cu. ft. (volume of space)

Example: Space size 20 ft. (length) x 16 ft. (width) x 8 ft. (ceiling height) = 2560 cu. ft. (volume of space)

If additional ventilation to adjoining room is supplied with grills or openings, add the volume of these rooms to the total volume of the space.

- Multiply the space volume by 20 to determine the maximum Btu/Hr the space can support.
_____ (volume of space) x 20 = (Maximum Btu/Hr the space can support)

Example: 2560 cu. ft. (volume of space) x 20 = 51,200 (maximum Btu/Hr the space can support)

- Add the Btu/Hr of all fuel burning appliances in the space.

| | |
|-------------------------|-----------------------|
| Vent-free fireplace | _____ Btu/Hr |
| Gas water heater* | _____ Btu/Hr |
| Gas furnace | _____ Btu/Hr |
| Vented gas heater | _____ Btu/Hr |
| Gas fireplace logs | _____ Btu/Hr |
| Other gas appliances* + | _____ Btu/Hr |
| Total | = _____ Btu/Hr |

* Do not include direct-vent gas appliances. Direct-vent draws combustion air from the outdoors and vents to the outdoors.

Example:

| | |
|---------------------|------------------------------|
| Gas water heater | _____ 40,000 Btu/Hr |
| Vent-free fireplace | + _____ 33,000 Btu/Hr |
| Total | = _____ 73,000 Btu/Hr |

- Compare the maximum Btu/Hr the space can support with the actual amount of Btu/Hr used.

_____ Btu/Hr (maximum the space can support)

_____ Btu/Hr (actual amount of Btu/Hr used)

Example: 51,200 Btu/Hr (maximum the space can support)

73,000 Btu/Hr (actual amount of Btu/Hr used)

The space in the above example is a confined space because the actual Btu/Hr used is more than the maximum Btu/Hr the space can support. You must provide additional fresh air. Your options are as follows:

- Rework worksheet, adding the space of an adjoining room. If the extra space provides an unconfined space, remove door to adjoining room or add ventilation grills between rooms. See *Ventilation Air From Inside Building*.

- Vent room directly to the outdoors. See *Ventilation Air From Outdoors*, page 8.
- Install a lower Btu/Hr fireplace, if lower Btu/Hr size makes room unconfined.

If the actual Btu/Hr used is less than the maximum Btu/Hr the space can support, the space is an unconfined space. You will need no additional fresh air ventilation.



WARNING: If the area in which the heater may be operated does not meet the required volume for indoor combustion air, combustion and ventilation air shall be provided by one of the methods described in the *National Fuel Gas Code, ANSI Z223.1/NFPA 54*, the *International Fuel Gas Code*, or applicable local codes.

VENTILATION AIR

Ventilation Air From Inside Building

This fresh air would come from an adjoining unconfined space. When ventilating to an adjoining unconfined space, you must provide two permanent openings: one within 12" of the ceiling and one within 12" of the floor on the wall connecting the two spaces (see options 1 and 2, Figure 3). You can also remove door into adjoining room (see option 3, Figure 3). Follow the *National Fuel Gas Code, ANSI Z223.1/NFPA 54, Air for Combustion and Ventilation* for required size of ventilation grills or ducts.

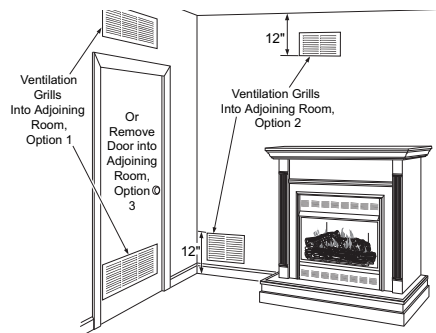


Figure 3 - Ventilation Air from Inside Building

AIR FOR COMBUSTION AND VENTILATION

Continued

Ventilation Air From Outdoors

Provide extra fresh air by using ventilation grills or ducts. You must provide two permanent openings: one within 12" of the ceiling and one within 12" of the floor. Connect these items directly to the outdoors or spaces open to the outdoors. These spaces include attics and crawl spaces. Follow the *National Fuel Gas Code, ANSI Z223.1/NFPA 54, Air for Combustion and Ventilation* for required size of ventilation grills or ducts.

IMPORTANT: Do not provide openings for inlet or outlet air into attic if attic has a thermostat-controlled power vent. Heated air entering the attic will activate the power vent.

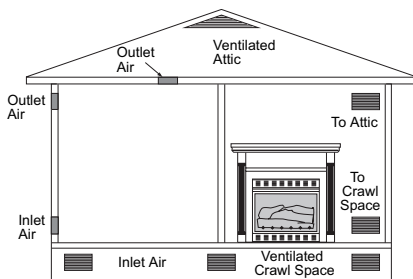


Figure 4 - Ventilation Air from Outdoors

INSTALLATION

NOTICE: This heater is intended for use as supplemental heat. Use this heater along with your primary heating system. Do not install this heater as your primary heat source. If you have a central heating system, you may run system's circulating blower while using heater. This will help circulate the heat throughout the house. In the event of a power outage, you can use this heater as your primary heat source.

WARNING: A qualified service person must install fireplace. Follow all local codes.

WARNING: Make sure the selector switch is in the OFF position before installing heater

WARNING: Never install the fireplace

- in a bedroom or bathroom
- in a recreational vehicle
- where curtains, furniture, clothing or other flammable objects are less than 36" from the front and 42" from top of fireplace; for side clearances see Figure 8, page 10
- in high traffic areas
- in windy or drafty areas

CAUTION: This fireplace creates warm air currents. These currents move heat to wall surfaces next to fireplace. Installing fireplace next to vinyl or cloth wall coverings or operating heater where impurities (such as, but not limited, to tobacco smoke, aromatic candles, cleaning fluids, oil or kerosene lamps, etc.) in the air exist, may discolor walls or cause odors.

INSTALLATION

Continued

Note: Your fireplace is designed to be used in zero clearance installations. Wall or framing material can be placed directly against any exterior surface on the rear, sides or top of your fireplace, except where standoff spacers are integrally attached. If standoff spacers are attached to your fireplace, these spacers can be placed directly against wall or framing materials.

Use the dimensions shown for rough openings to create the easiest installation. See *Built-In Fireplace Installation*, page 12.

IMPORTANT: Vent-free heaters add moisture to the air. Although this is beneficial, installing fireplace in rooms without enough ventilation air may cause mildew to form from too much moisture. See *Air for Combustion and Ventilation*, page 6.

IMPORTANT: Make sure the fireplace is level. If fireplace is not level, log set will not work properly.

CHECK GAS TYPE

Use the correct gas type (natural or propane/LP) for your fireplace. If your gas supply is not correct, do not install fireplace. Call dealer where you bought fireplace for proper type fireplace.

⚠ WARNING: This appliance is equipped for either natural gas or propane/LP gas but not both. Gas type is indicated on the rating plate. Field conversion is not permitted.

ELECTRICAL HOOKUP

(Models GA3700 Series and GA3700T Series Blower Accessories and GA3555 Internal Duplex Kit)

This fireplace accepts a blower assembly with an electrical cord. The electrical cord is five feet in length. You must locate fireplace within reach of a 120 volt grounded electrical outlet. If not, you must install an electrical outlet within reach of fireplace power cord. The GA3555 outlet accessory is used for built-in applications with blower accessory installed.

INSTALLING HOOD

Install hood to top of firebox as shown in Figure 5. Use 3 Phillips screws provided.

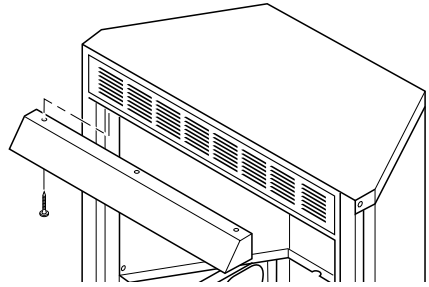


Figure 5 - Installing Hood to Firebox

ASSEMBLING AND ATTACHING OPTIONAL PERIMETER TRIM (Included with Mantel Accessory)

IMPORTANT: If you are recessing the firebox in a wall, do not attach perimeter trim at this time. See *Built-In Fireplace Installation*, page 12.

Note: The instructions below show assembling and attaching perimeter trim to fireplace.

1. Remove packaging from three pieces of perimeter trim.
2. Locate four perimeter screws, two adjusting plates with set screws and two shims in the hardware packet.
3. Align shim under adjusting plate as shown in Figure 6.
4. Slide one end of adjusting plate/shim in slot on mitered edge of top perimeter trim (see Figure 6).
5. Slide other end of adjusting plate/shim in slot on mitered edge of side perimeter trim (see Figure 6).
6. While firmly holding edges of perimeter trim together, tighten both set screws on the adjusting plate with slotted screwdriver.

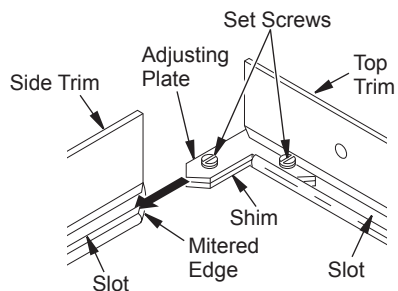


Figure 6 - Assembling Perimeter Trim

INSTALLATION

Continued

- Repeat steps 1 through 6, page 9, for other side.
- Tighten trim hanging screws (#10 x 6.25 shoulder) into holes in cabinets. Place the assembled trim onto fireplace cabinet. Align hanging notches on trim with hanging screws on side of fireplace (see Figure 7). Push trim firmly into place, sliding hanging notches over hanging screws.

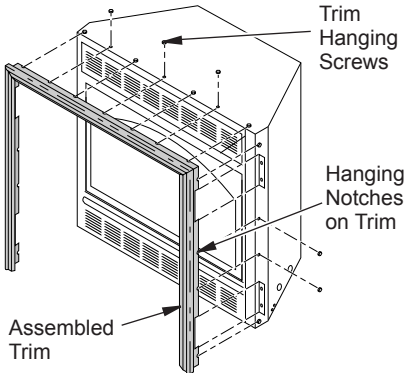


Figure 7 - Attaching Perimeter Trim to Fireplace

MINIMUM CLEARANCE TO COMBUSTIBLE MATERIALS
Top: 42", Left and Right Sides: 16"
Bottom and Rear: 0", Front: 36"

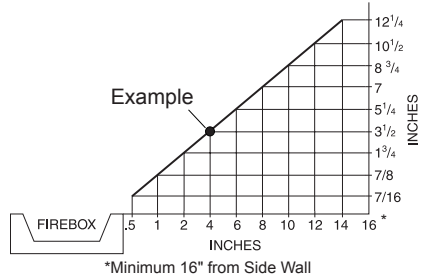


Figure 8 - Minimum Clearance for Combustible to Wall

CONVENTIONAL FIREPLACE INSTALLATION

Conventional installation of this fireplace involves installing fireplace along with the corner, face or cabinet mantel with hearth base accessories against a wall in your home. Follow the instructions below to install the fireplace in this manner.

- Assemble cabinet mantel, hearth base and trim accessories. Assembly instructions are included with each accessory.
- When installing blower, install a properly grounded, 120 volt three-prong electrical outlet at fireplace location if an outlet is not there. If possible, locate outlet so cabinet mantel will cover it when installed (see Figure 9).

INSTALLATION CLEARANCES

⚠ WARNING: Maintain the minimum clearances. If you can, provide greater clearances from floor, ceiling and adjoining wall.

Carefully follow the instructions below. This will ensure safe installation.

Minimum Clearances For Side Combustible Material, Side Wall and Ceiling

- Clearances from the side of the fireplace cabinet to any combustible material and wall should follow diagram in Figure 8.
Example: The face of a mantel, bookshelf, etc. is made of combustible material and protrudes 3 1/2" from the wall. This combustible material must be 4" from the side of the fireplace opening (see Figure 8).
- Clearances from the top of the fireplace opening to the ceiling should not be less than 42".

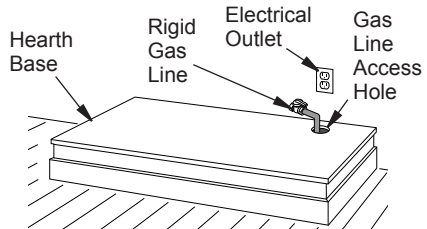


Figure 9 - Placing Hearth Base Accessory Against Wall

INSTALLATION

Continued

3. Install gas piping to fireplace location. This installation includes an approved flexible gas line (if allowed by local codes) after the equipment shutoff valve. The flexible gas line must be the last item installed on the gas piping. See [Installing Gas Piping to Fireplace Location](#), page 13.
4. Place hearth base accessory against wall at installation location. Cut an access hole in hearth top to run flexible gas line to fireplace (see Figure 9, page 10). Make sure to locate access hole so cabinet mantel will cover it when installed.
Note: You can secure base to floor using wood screws. Countersink screw heads and putty over.
5. Route flexible gas line through access hole in hearth base.
6. Center cabinet mantel on hearth base (see Figure 10). Make sure mantel is flush against wall.
7. Break off nailing flanges (see Figure 11) with hammer or pliers.
8. Place cardboard or other protective material on top of hearth base. Carefully set fireplace on protective material, with back of fireplace inside mantel opening.
9. Attach flexible gas line from fireplace gas regulator to gas supply. See [Connecting Fireplace to Gas Supply](#), page 15.
10. If blower is installed, route blower electrical cord through access holes in either side of fireplace.

Note: Bushing may be moved if necessary. Plug electrical cord into electrical outlet.

11. Carefully insert fireplace into cabinet mantel. Be careful not to scratch or damage hearth base, cabinet mantel or any laminate trim on hearth base. Remove protective material from top of hearth base and from front of fireplace (if any).

Note: You can secure fireplace to hearth. Open lower louver. Locate screw holes in bottom of base. Tighten wood screws through these holes and into hearth.

12. Check all gas connections for leaks. See [Checking Gas Connections](#), page 15.

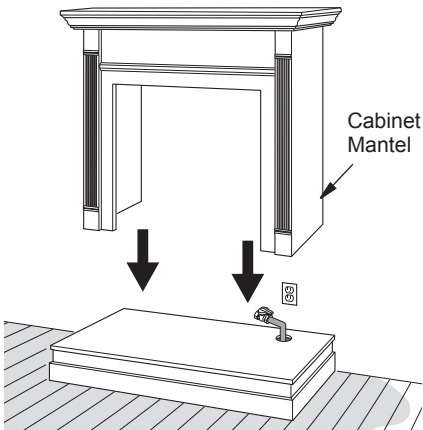


Figure 10 - Installing Cabinet Mantel

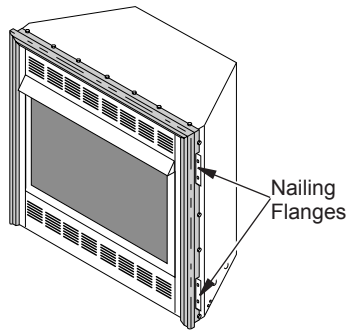


Figure 11 - Location of Nailing Flanges

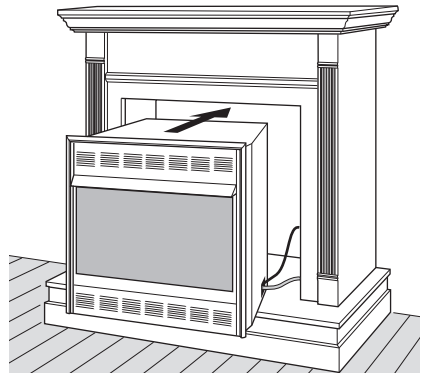


Figure 12 - Inserting Fireplace Into Cabinet Mantel

INSTALLATION

Continued

BUILT-IN FIREPLACE INSTALLATION

Built-in installation of this fireplace involves installing fireplace into a framed-in enclosure. This makes the front of fireplace flush with wall. If installing a mantel above the fireplace, you must follow the clearances shown in Figure 16, page 13. Follow the instructions below to install the fireplace in this manner.

| | Actual | Framing |
|-------------|------------------------------------|----------------------------------|
| Height | 32 ³ / ₈ " | 33" |
| Front Width | 34 ⁵ / ₁₆ " | 35 ¹ / ₂ " |
| Depth | 16 ¹¹ / ₁₆ " | 17 ³ / ₄ " |

1. Frame in rough opening. Use dimensions shown in Figure 13 for the rough opening. If installing in a corner, use dimensions shown in Figure 14 for the rough opening. The height is 33" which is the same as the wall opening above.
2. If using blower, install and properly ground GA3555, three-prong 120 volt electrical outlet, in fireplace. Follow instructions included in kit (see Accessories, page 34).
3. Install gas piping to fireplace location. This installation includes an approved flexible gas line (if allowed by local codes) after the equipment shutoff valve. The flexible gas line must be the last item installed on the gas piping. See Installing Gas Piping to Fireplace Location, page 13.

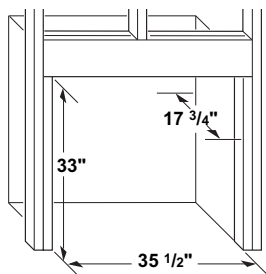


Figure 13 - Rough Opening for Installing in Wall

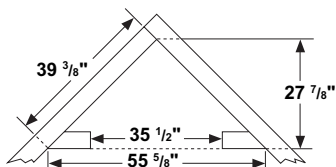


Figure 14 - Rough Opening for Installing in Corner

4. Carefully set fireplace in front of rough opening with back of fireplace inside wall opening.
5. Plug electrical cord into electrical outlet installed in step 2.
6. Carefully insert fireplace into rough opening.
7. Attach flexible gas line to gas supply. See Connecting Fireplace to Gas Supply, page 15.
8. Attach fireplace to wall studs using nails or wood screws through holes in nailing flange (see Figure 15).
9. Check all gas connections for leaks. See Checking Gas Connections, page 15.
10. Install perimeter trim after final finishing and/or painting of wall (see Figure 7, page 10).

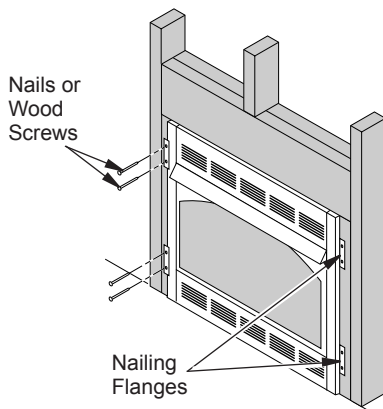


Figure 15 - Attaching Fireplace to Wall Studs

INSTALLATION

Continued

Mantel Clearances for Built-In Installation

If placing mantel above built-in fireplace, you must meet minimum clearance between mantel shelf and top of fireplace opening.

NOTICE: If your installation does not meet the minimum clearances shown, you must do one of the following:

- raise the mantel to an acceptable height
- remove the mantel

NOTICE: Surface temperatures of adjacent walls and mantels become hot during operation. Walls and mantels above the firebox may become hot to the touch. If installed properly, these temperatures meet the requirement of the national product standard. Follow all minimum clearances shown in this manual.

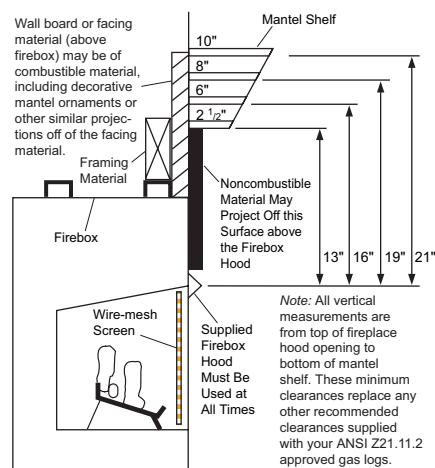


Figure 16 - Minimum Mantel Clearances for Built-In Installation

INSTALLING GAS PIPING TO FIREPLACE LOCATION

WARNING: This appliance requires a 1/2" NPT (National Pipe Thread) inlet connection to the pressure regulator.

WARNING: A qualified service person must connect fireplace to gas supply. Follow all local codes.

CAUTION: Never connect propane/LP fireplace directly to the propane/LP supply. This fireplace requires an external regulator (not supplied). Install the external regulator between the fireplace and propane/LP supply.

WARNING: Never connect natural gas fireplace to private (non-utility) gas wells. This gas is commonly known as wellhead gas.

Installation Items Needed

Before installing fireplace, make sure you have the items listed below.

- external regulator for propane/LP unit only (supplied by installer)
- piping (check local codes)
- sealant (resistant to propane/LP gas)
- equipment shutoff valve *
- test gauge connection *
- sediment trap (optional)
- tee joint
- pipe wrench
- approved flexible gas line with gas connector (if allowed by local codes) (not provided)

* A CSA design-certified equipment shutoff valve with 1/8" NPT tap is an acceptable alternative to test gauge connection. Purchase the optional CSA design-certified equipment shutoff valve from your dealer.

INSTALLATION

Continued

For propane/LP units, the installer must supply an external regulator. The external regulator will reduce incoming gas pressure. You must reduce incoming gas pressure to between 11" and 14" of water. If you do not reduce incoming gas pressure, heater regulator damage could occur. Install external regulator with the vent pointing down as shown in Figure 17. Pointing the vent down protects it from freezing rain or sleet.

CAUTION: Use only new, black iron or steel pipe. Internally-tinned copper tubing may be used in certain areas. Check your local codes. Use pipe of 1/2" diameter or greater to allow proper gas volume to fireplace. If pipe is too small, undue loss of volume will occur.

Installation must include an equipment shutoff valve, union and plugged 1/8" NPT tap. Locate NPT tap within reach for test gauge hook up. NPT tap must be upstream from fireplace (see Figure 18).

IMPORTANT: Install equipment shutoff valve in an accessible location. The equipment shutoff valve is for turning on or shutting off the gas to the appliance.

Check your building codes for any special requirements for locating equipment shutoff valve to fireplaces.

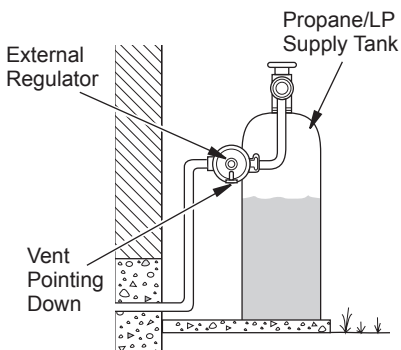


Figure 17 - External Regulator on Propane/LP Supply Tank with Vent Pointing Down

Apply pipe joint sealant lightly to male NPT threads. This will prevent excess sealant from going into pipe. Excess sealant in pipe could result in clogged fireplace valves. Never use sealant on flare threads.

WARNING: Use pipe joint sealant that is resistant to liquid petroleum (LP) gas.

We recommend that you install a sediment trap in supply line as shown in Figure 18. Locate sediment trap where it is within reach for cleaning. Install in piping system between fuel supply and fireplace. Locate sediment trap where trapped matter is not likely to freeze. A sediment trap traps moisture and contaminants. This keeps them from going into fireplace gas controls. If sediment trap is not installed or is installed wrong, fireplace may not run properly.

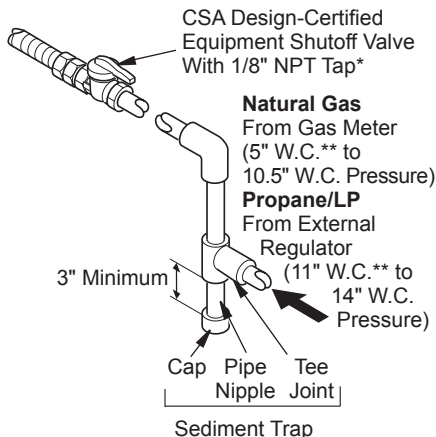


Figure 18 - Gas Connection

* Purchase the optional CSA design-certified equipment shutoff valve from your dealer.

** Minimum inlet pressure for purpose of input adjustment.

INSTALLATION

Continued

CONNECTING FIREPLACE TO GAS SUPPLY

Installation Items Needed

- 5/16" hex socket wrench or nut-driver
 - Phillips screwdriver
 - sealant (resistant to propane/LP gas, not provided)
1. Remove fireplace screen. Remove two screws that hold fireplace screen in place for shipping. These screws are located near top of screen. Discard screws. Lift fireplace screen up and pull out to remove.
 2. Remove screws that attach log base assembly to fireplace. Carefully lift up log base assembly and remove from fireplace. See Figure 19.

Note: If adding the G8005 series brick liner accessory, install it now. Follow instructions in G8005 accessory kit.

CAUTION: Do not pick up log base assembly by burner. This could damage burner. Only handle base by grates.

3. Route gas line (provided by installer) from equipment shutoff valve to fireplace. Route flexible gas supply line through one of the access holes.

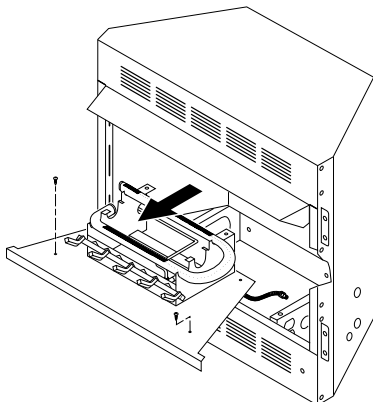


Figure 19 - Removing Log Base Assembly From Fireplace

NOTICE: Most building codes do not permit concealed gas connections. A flexible gas line is provided to allow accessibility from the fireplace (see Figure 24). The flexible gas supply line connection to the equipment shutoff valve should be accessible.

4. Attach the flexible gas line to gas supply. Check tightness of flexible gas line attached to gas regulator of fireplace. See Figure 20.
5. Check all gas connections for leaks. See Checking Gas Connections.
6. Replace log base assembly back into fireplace. Feed flexible gas line into fireplace base area while replacing log base assembly. Make sure the entire flexible gas line is in fireplace base area. Reattach log base assembly to fireplace with screws removed in step 2.

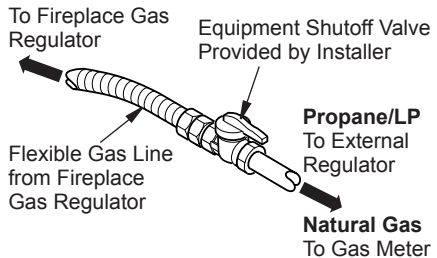


Figure 20 - Attaching Flexible Gas Lines Together

CHECKING GAS CONNECTIONS

WARNING: Test all gas piping and connections, internal and external to unit, for leaks after installing or servicing. Correct all leaks at once.

WARNING: Never use an open flame to check for a leak. Apply a noncorrosive leak detection fluid to all joints. Bubbles forming show a leak. Correct all leaks at once.

INSTALLATION

Continued

CAUTION: Make sure external regulator has been installed between propane/LP supply and fireplace. See guidelines under Connecting Fireplace to Gas Supply, page 15.

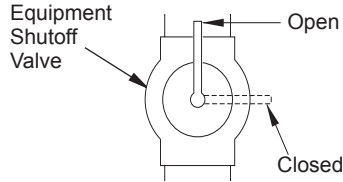


Figure 21 - Equipment Shutoff Valve

PRESSURE TESTING GAS SUPPLY PIPING SYSTEM

Test Pressures In Excess Of 1/2 PSIG (3.5 kPa)

1. Disconnect fireplace with its appliance main gas valve (control valve) and equipment shutoff valve from gas supply piping system. Pressures in excess of 1/2 psig will damage fireplace regulator.
2. Cap off open end of gas pipe where equipment shutoff valve was connected.
3. Pressurize supply piping system by either opening propane/LP supply tank valve for propane/LP gas or opening main gas valve located on or near gas meter for natural gas or using compressed air.
4. Check all joints of gas supply piping system. Apply noncorrosive leak detection fluid to all joints. Bubbles forming show a leak.
5. Correct all leaks at once.
6. Reconnect fireplace and equipment shutoff valve to gas supply. Check reconnected fittings for leaks.

Test Pressures Equal To or Less Than 1/2 PSIG (3.5 kPa)

1. Close equipment shutoff valve (see Figure 21).
2. Pressurize supply piping system by either opening propane/LP supply tank valve for propane/LP gas or opening main gas valve located on or near gas meter for natural gas or using compressed air.
3. Check all joints from gas meter to equipment shutoff valve for natural gas or propane/LP supply to equipment shutoff valve for propane/LP (see Figures 22 or 23). Apply noncorrosive leak detection fluid to all joints. Bubbles forming show a leak.
4. Correct all leaks at once.

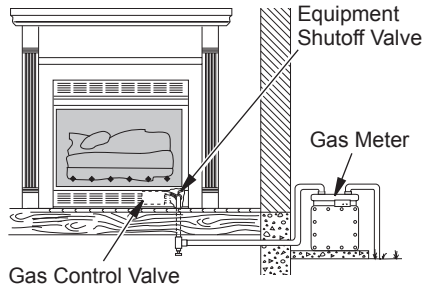


Figure 22 - Checking Gas Joints for Natural Gas

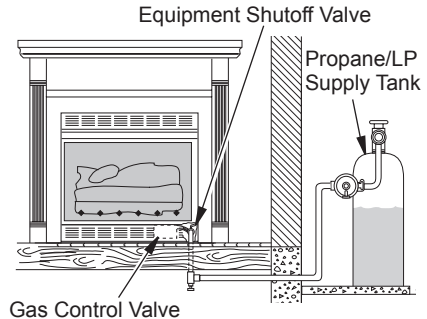


Figure 23 - Checking Gas Joints for Propane/LP Gas

PRESSURE TESTING FIREPLACE GAS CONNECTIONS

1. Open equipment shutoff valve (see Figure 21).
2. Open main gas valve located on or near gas meter for natural gas or open propane/LP supply tank valve.
3. Make sure control knob of fireplace is in the OFF position.
4. Check all joints from equipment shutoff valve to gas control valve (see Figures 22 or 23). Apply noncorrosive leak detection fluid to all joints. Bubbles forming show a leak.

INSTALLATION

Continued

5. Correct all leaks at once.
6. Light fireplace (see *Operation*, page 19). Check all other internal joints for leaks.
7. Turn off fireplace (see *To Turn Off Gas to Appliance*, page 20).

INSTALLING LOGS

⚠ CAUTION: Do not remove the data plates attached to the heater base assembly. The data plates contain important warranty and safety information.

⚠ WARNING: Failure to position the parts in accordance with these diagrams or failure to use only parts specifically approved with this heater may result in property damage or personal injury.

⚠ WARNING: After installation and periodically thereafter, check to ensure that no flame comes in contact with any log. With the heater set to High, check to see if flame contact any log. If so, reposition logs according to the log installation instructions in this manual. Flames contacting logs will create soot.

4. Install fireplace screen by slipping notches of fireplace screen over screws on front of fireplace (see Figure 26, page 18).

⚠ WARNING: You must operate this fireplace with the fireplace screen in place. Make sure fireplace screen is in place before running fireplace.

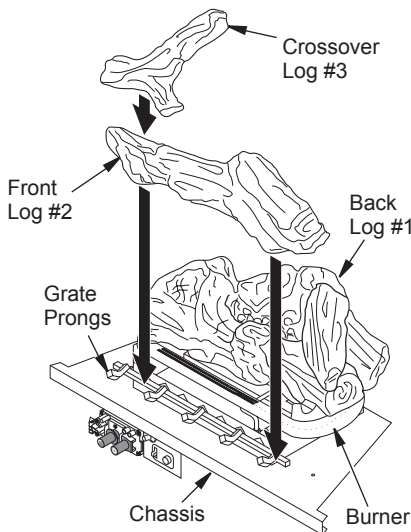


Figure 24 - Installing Log Set

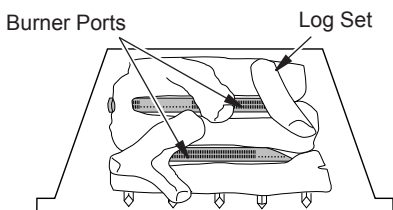


Figure 25 - Installing Log Set, Top View

It is very important to install the logs exactly as instructed. Do not modify logs. Only use logs supplied with fireplace.

1. Place back log #1 on grate to fit as illustrated in Figure 24. Make sure middle section at bottom of log set is seated into "U"-shaped cutout in center of chassis (see Figure 24). **IMPORTANT:** Make sure log does not cover any burner ports (see Figure 25).
2. Place front log #2 against front grate prongs as shown in Figure 24.
3. Place crossover log #3 on top of front and back logs as shown in Figure 24.

INSTALLATION

Continued

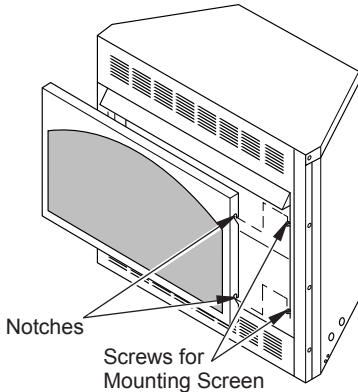


Figure 26 - Installing Fireplace Screen

OPTIONAL WIRELESS HAND-HELD REMOTE CONTROL ACCESSORIES (HRC100 and HRC200)

Installing Remote Receiver Unit

1. Disconnect switch wires from the control valve.
2. Remove screws attaching switch plate.
3. Remove switch plate (see Figure 27). Discard after removing.
4. Install remote receiver unit onto gas log heater base using mounting clips.
5. Push clips firmly into place (see Figure 28).
6. Connect wires as shown in Figure 29.

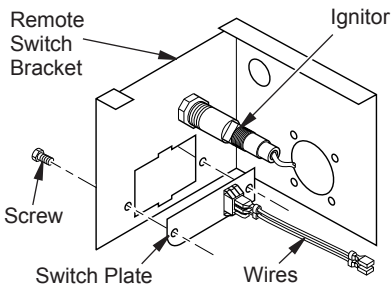


Figure 27 - Switch Plate and Wiring Harness

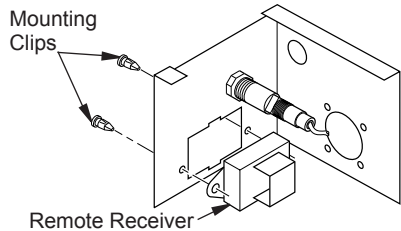


Figure 28 - Installing Remote Receiver

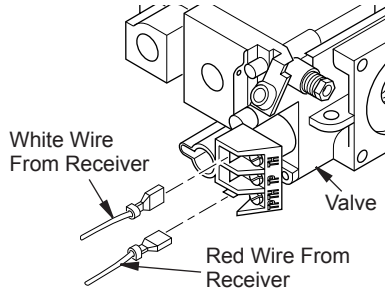


Figure 29 - Connecting Wires

INSTALLING 9-VOLT BATTERIES

Two 9-volt batteries (not included) are required to operate this heater with the wireless hand held remote control set. Install one battery in the receiver and one in the hand-held remote control unit.

Note: Only use alkaline batteries.

Installing 9-Volt Battery in Receiver

1. Locate back of receiver under front burner of heater.
2. Locate the battery clip mounted on the back of the receiver.
3. Slide a 9-volt battery through the clip.
4. Attach the terminal wires to the battery.

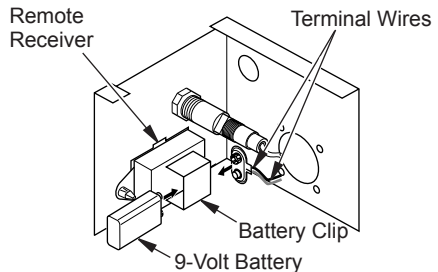


Figure 30 - Installing Battery in Remote Receiver

INSTALLATION

Continued

Installing 9-Volt Battery in Hand-Held Remote Control Unit

1. Remove battery cover on back of remote control unit.
2. Attach terminal wires to the battery. Place battery into the battery housing.
3. Replace battery cover onto remote control unit.

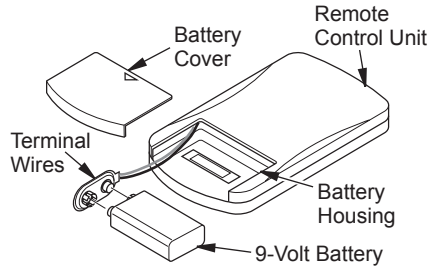


Figure 31 - Installing Battery in Hand-Held Remote Control Unit

OPERATION

FOR YOUR SAFETY READ BEFORE LIGHTING

⚠ WARNING: If you do not follow these instructions exactly, a fire or explosion may result causing property damage, personal injury or loss of life.

- A. This appliance has a pilot which must be lighted by hand. When lighting the pilot, follow these instructions exactly.
- B. **BEFORE LIGHTING** smell all around the appliance area for gas. Be sure to smell next to the floor because some gas is heavier than air and will settle on the floor.
WHAT TO DO IF YOU SMELL GAS
 - Do not try to light any appliance.
 - Do not touch any electric switch; do not use any phone in your building.
 - Immediately call your gas supplier from a neighbor's phone. Follow the gas supplier's instructions.
 - If you cannot reach your gas supplier, call the fire department.
- C. Use only your hand to push in or turn the gas control knob. Never use tools. If the knob will not push in or turn by hand, don't try to repair it, call a qualified service technician or gas supplier. Force or attempted repair may result in a fire or explosion.

- D. Do not use this appliance if any part has been under water. Immediately call a qualified service technician to inspect the appliance and to replace any part of the control system and any gas control which has been under water.

LIGHTING INSTRUCTIONS

⚠ WARNING: You must operate this fireplace with the fireplace screen in place. Make sure fireplace screen is installed before running fireplace.



NOTICE: During initial operation of new fireplace, burning logs will give off a paper-burning smell. Open damper or window to vent smell. This will only last a few hours.

1. STOP! Read the safety information, column 1.
2. Make sure equipment shutoff valve is fully open.
3. Set selector switch in OFF position.

⚠ WARNING: Burner will come on automatically within one minute when the selector switch is in the ON position after the pilot is lit.

OPERATION

Continued

- Press in and turn control knob clockwise  to the OFF position.
- Wait five (5) minutes to clear out any gas. Then smell for gas, including near the floor. If you smell gas, STOP! Follow "B" in the safety information, page 19. If you don't smell gas, go to the next step.
- Press in and turn control knob counterclockwise  to the PILOT position. Press in control knob for five (5) seconds (see Figure 32).

Note: You may be running this heater for the first time after hooking up to gas supply. If so, the control knob may need to be pressed in for 30 seconds or more. This will allow air to bleed from the gas system.


- With control knob pressed in, press and release ignitor button. This will light pilot. The pilot is attached to the front burner. If needed, keep pressing ignitor button until pilot lights.

Note: If pilot does not stay lit, contact a qualified service person or gas supplier for repairs. Until repairs are made, light pilot with match. To light pilot with match, see Manual Lighting Procedure, page 21.

- Keep control knob pressed in for 30 seconds after lighting pilot. After 30 seconds, release control knob.

- If control knob does not pop out when released, contact a qualified service person or gas supplier for repairs.

Note: If pilot goes out, repeat steps 4 through 8.

- Slightly push in and turn control knob counterclockwise  to the ON position.
- Wait one minute and switch selector switch to the ON position to light burner.

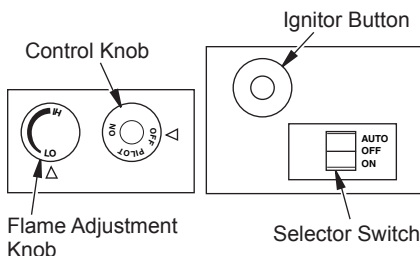



Figure 32 - Control Knob and Ignitor Button Location (Shown as Supplied, No Control Options)

- Set flame adjustment knob to any level between HI and LO.
- To leave pilot lit and shut off burners only: turn control knob clockwise  to the PILOT position, or use remote control manual OFF button, or set selector switch in the OFF position.

CAUTION: Do not try to adjust heating levels by using the equipment shutoff valve.

WARNING: Make sure the selector switch is in the OFF position when you are away from home for long periods of time. Fireplace will come on automatically with selector switch in the ON position.

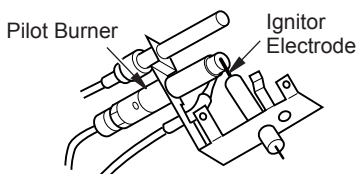


Figure 33 - Pilot (Propane/LP)

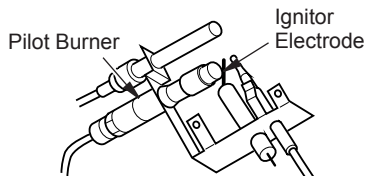



Figure 34 - Pilot (Natural)

TO TURN OFF GAS TO APPLIANCE

- Turn control knob clockwise  to the OFF position.
- 2a. Set selector switch in the OFF position.
2b. If Using Optional Hand-Held Remote: Set selector switch in the OFF position to keep from draining the battery.
- Close equipment shutoff valve (see Figure 21, page 16).

OPERATION

Continued

MANUAL LIGHTING PROCEDURE

1. Follow steps 1 through 6 under *Lighting Instructions*, page 19.
2. Press control knob and light pilot with match.
3. Keep control knob pressed in for 30 seconds after lighting pilot. After 30 seconds, release control knob. Now follow steps 9 through 11 under *Lighting Instructions*, page 20.

OPTIONAL HAND-HELD REMOTE OPERATION

Note: All remote control accessories must be purchased separately (see [Accessories](#), page 34). Follow instructions included with the remote control.

NOTICE: You must light the pilot before using the hand-held remote control unit. See [Lighting Instructions](#) on page 19.

After lighting, let pilot flame burn for about one minute. Turn control knob to ON position. Adjust flame adjustment knob anywhere between HI and LO. Slide the selector switch to the REMOTE position (see Figure 35).

Note: The burner may light if hand-held remote was on when selector switch was last turned off. You can now turn the burner on and off with the hand-held remote control unit.

IMPORTANT: Do not leave the selector switch in the REMOTE or ON position when the pilot is not lit. This will drain the battery.

Flame Adjustment Knob

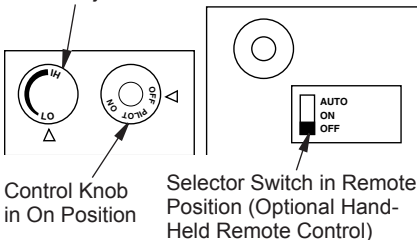


Figure 35 - Setting the Selector Switch, Control Knob and Flame Adjustment Knob for Remote Operation

ON/OFF SERIES (MODEL HRC100)

Hold the control button on the hand-held remote until burner turns on. Hold the control button again until burner turns off (see Figure 36).

TO LOCK press both buttons on hand-held remote control until light stops flashing. Hand-held remote control is now locked. If the fire is on it will be turned off automatically. In the locked state, the light will not light up when any button is pressed.

TO UNLOCK press both buttons together on hand-held remote control until the light stops flashing. The hand-held remote is now unlocked.

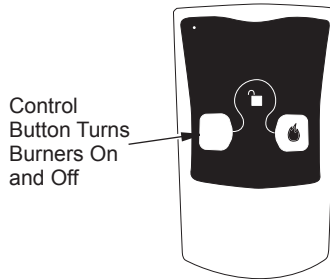


Figure 36 - On/Off Hand-Held Remote Control Unit (HRC100)

THERMOSTAT SERIES (MODEL HRC200)

The hand-held remote can be operated using either the manual mode (MANU) or thermostatic mode (AUTO) (see Figure 37, page 22). To select Fahrenheit/Centigrade mode display, carefully press the °C/°F mode button with the end of a paper clip or similar blunt object.

Manual Mode

1. Press the POWER and LOCK buttons together to turn on the hand-held remote control.
2. Press the MANU button to turn on the fireplace.
3. Press the POWER and LOCK buttons together to turn off the fireplace.

OPERATION

Continued

Auto (Thermostatic) Mode

1. Press the POWER and LOCK buttons together to turn on the hand-held remote control.
2. Press AUTO button to select this mode.
3. Set the desired room temperature by pressing the TEMP + or - buttons.
4. Press the POWER and LOCK buttons together to turn off the fireplace

Note: Do not leave the hand-held remote in the AUTO mode close to the fireplace. The radiant heat from the fireplace will turn off the fireplace. Ideally, place the hand-held remote in the center of the room facing towards the fireplace.

Note: Do not hold the hand-held remote for a long time. Body temperature will affect its operation in the AUTO mode.

Safety Features

When away from home for an extended period of time or as a child safety feature to prevent accidental ignition of the fireplace, the receiver ON/OFF/REMOTE switch should be in the OFF position.

Auto Shutoff Feature

1. If the average room temperature reaches a range of 82° F (28° C) to 92° F (33° C), the hand-held remote control will perform a safety override and shut the fireplace off. This feature is not available in the MANU mode.
2. The receiver continuously receives signals from the hand-held remote to control the room temperature. If the hand-held remote is misplaced, obstructed or for any reason cannot transmit to the receiver, the receiver will shut off the fireplace. This will occur in 8 or more minutes depending upon location of remote transmitter and strength of batteries.

Key Pad Lock Feature

This feature allows the user to lock/unlock the keypad on the hand-held remote in the MANU or AUTO mode to prevent inadvertent operation (i.e. children operating the hand-held remote control, etc.). The keypad is locked in either on or off. Press the POWER and LOCK buttons together to turn the unit on or off.

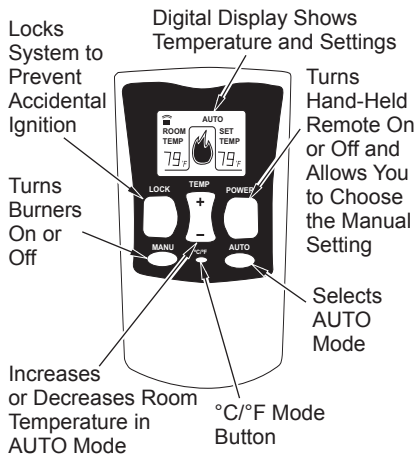


Figure 37 - Thermostat Hand-Held Remote Control Unit (HRC200)

OPTIONAL BLOWER OPERATION

Locate the blower switch by opening lower louver on fireplace. Blower switch is located at lower right inside louver door.

The GA3700T Series thermostat-controlled blower has a variable speed control with an ON/OFF switch. The blower will start when the thermostat senses a sufficient increase in firebox temperature. The GA3700 series variable speed blower also has an ON/OFF switch built into the variable speed control.

Note for GA3700T Series Only: If you are using GA3700T blower, your fireplace and blower will not turn on and off at the same time. The fireplace may run for several minutes before the blower turns on. After the heater modulates to the pilot position, the blower will continue to run. The blower will shut off after the firebox temperature decreases.

Note: It is safe to operate fireplace with blower turned off. However, the blower helps distribute heated air from the fireplace.

Follow installation instructions included with the blower accessory.

INSPECTING BURNER

Check pilot flame pattern and burner flame patterns often.

PILOT FLAME PATTERN

Figure 38 shows a correct pilot flame pattern. Figure 39 shows an incorrect pilot flame pattern. The incorrect pilot flame is not properly heating the thermocouple. When the thermocouple cools, the heater will shut down.

If pilot flame pattern is incorrect, as shown in Figure 39

- turn heater off (see [To Turn Off Gas to Appliance](#), page 20)
- see [Troubleshooting](#), page 25

Note: The pilot flame on a natural gas units will have a slight curve, but flame should be blue and have no yellow or orange color.

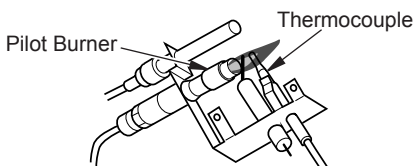


Figure 38 - Correct Pilot Flame Pattern (Natural Gas Pilot Shown)

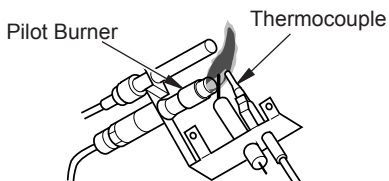


Figure 39 - Incorrect Pilot Flame Pattern (Natural Gas Pilot Shown)

BURNER PRIMARY AIR HOLES

Air is drawn into the burner through the holes in the fitting at the burner entrance. These holes may become blocked with dust or lint. Periodically inspect these holes for any blockage and clean if needed. Blocked air holes will create soot.

MAIN BURNER

Periodically inspect all burner flame holes with the fireplace running. All slotted burner flame holes should be open with yellow flame present. All round burner flame holes should be open with a small blue flame present. Some burner flame holes may become blocked by debris or rust, with no flame present. If so, turn off fireplace and let cool. Remove blockage. Blocked burner flame holes will create soot.

BURNER FLAME PATTERN

WARNING: If yellow tipping occurs, your fireplace could produce increased levels of carbon monoxide.

NOTICE: Do not mistake orange flames with yellow tipping. Dirt or other fine particles enter the fireplace and burn causing brief patches of orange flame.

Figure 40 shows a correct burner flame pattern. Figure 41 shows an incorrect burner flame pattern. The incorrect burner flame pattern shows the flame higher consistently higher than 1" above the logs.

If burner flame pattern is incorrect, as shown in Figure 41

- turn heater off (see [To Turn Off Gas To Appliance](#), page 20)
- see [Troubleshooting](#), page 25

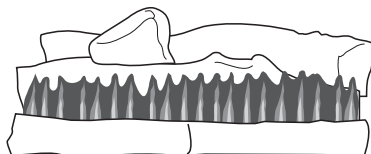


Figure 40 - Correct Burner Flame Pattern

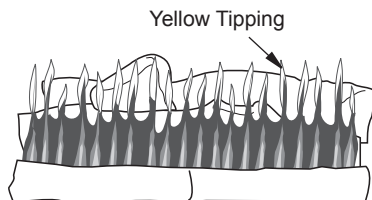


Figure 41 - Incorrect Burner Flame Pattern

CLEANING AND MAINTENANCE

⚠ WARNING: Turn off fireplace and let cool before cleaning.

⚠ CAUTION: You must keep control areas, burner and circulating air passageways of fireplace clean. Inspect these areas of fireplace before each use. Have fireplace inspected yearly by a qualified service person. Fireplace may need more frequent cleaning due to excessive lint from carpeting, bedding material, pet hair, etc.

⚠ WARNING: Failure to keep the primary air opening(s) of the burner(s) clean may result in sooting and property damage.

BURNER INJECTOR HOLDER AND PILOT AIR INLET HOLE

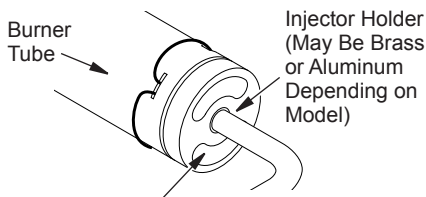
The primary air inlet holes allow the proper amount of air to mix with the gas. This provides a clean burning flame. Keep these holes clear of dust, dirt, lint and pet hair. Clean these air inlet holes prior to each heating season. Blocked air holes will create soot. We recommend that you clean the unit every three months during operation and have heater inspected yearly by a qualified service person.

We also recommend that you keep the burner tube and pilot assembly clean and free of dust and dirt. To clean these parts we recommend using compressed air no greater than 30 PSI. Your local computer store, hardware store or home center may carry compressed air in a can. If using compressed air in a can, please follow the directions on the can. If you don't follow directions on the can, you could damage the pilot assembly.

1. Shut off the unit, including the pilot. Allow the unit to cool for at least thirty minutes.
2. Inspect burner, pilot and primary air inlet holes on injector holder for dust and dirt (see Figures 42 and 43).
3. Blow air through the ports/slots and holes in the burner.

4. Check the injector holder located at the end of the burner tube again. Remove any large particles of dust, dirt, lint or pet hair with a soft cloth or vacuum cleaner nozzle.
5. Blow air into the primary air holes on the injector holder.
6. In case any large clumps of dust have now been pushed into the burner repeat steps 3 and 4 above.

Clean the pilot assembly also. A yellow tip on the pilot flame indicates dust and dirt in the pilot assembly. There is a small pilot air inlet hole about 2" from where the pilot flame comes out of the pilot assembly (see Figure 43). With the unit off, lightly blow air through the air inlet hole. You may blow through a drinking straw if compressed air is not available.



Primary Air Inlet Holes (Shape of Holes May Vary by Model)

Figure 42 - Injector Holder On Outlet Burner Tube

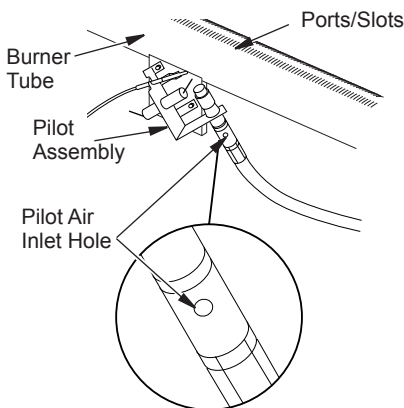


Figure 43 - Pilot Inlet Air Hole

LOGS

- If you remove logs for cleaning, refer to [Installing Logs](#), page 17, to properly replace logs.
- Replace log(s) if broken or chipped (dime-sized or larger).

TROUBLESHOOTING

⚠ WARNING: Turn off heater and let cool before servicing. Only a qualified service person should service and repair heater.

⚠ CAUTION: Never use a wire, needle or similar object to clean ODS/pilot. This can damage ODS/pilot unit.

Note: All troubleshooting items are listed in order of operation.

| OBSERVED PROBLEM | POSSIBLE CAUSE | REMEDY |
|---|---|--|
| When ignitor button is pressed, there is no spark at ODS/pilot | <ol style="list-style-type: none"> 1. Ignitor electrode not connected to ignitor cable 2. Ignitor cable pinched or wet 3. Piezo ignitor nut is loose 4. Broken ignitor cable 5. Bad piezo ignitor 6. Ignitor electrode positioned wrong 7. Ignitor electrode broken | <ol style="list-style-type: none"> 1. Reconnect ignitor cable 2. Free ignitor cable if pinched by any metal or tubing. Keep ignitor cable dry 3. Tighten nut holding piezo ignitor to base panel of log set. Nut is located behind base panel 4. Replace ignitor cable 5. Replace piezo ignitor 6. Replace pilot assembly 7. Replace pilot assembly |
| When ignitor button is pressed, there is spark at ODS/pilot but no ignition | <ol style="list-style-type: none"> 1. Gas supply turned off or equipment shutoff valve closed 2. Control knob not in PILOT position 3. Control knob not pressed in while in PILOT position 4. Air in gas lines when installed 5. Depleted gas supply (propane/LP only) 6. ODS/pilot is clogged 7. Gas regulator setting is not correct | <ol style="list-style-type: none"> 1. Turn on gas supply or open equipment shutoff valve 2. Turn control knob to PILOT position 3. Press in control knob while in PILOT position 4. Continue holding down control knob. Repeat igniting operation until air is removed 5. Contact local propane/LP gas company 6. Clean ODS/pilot (see <u>Cleaning and Maintenance</u>, page 24) or replace ODS/pilot assembly 7. Replace gas regulator |

TROUBLESHOOTING

Continued

| OBSERVED PROBLEM | POSSIBLE CAUSE | REMEDY |
|---|--|---|
| ODS/pilot lights but flame goes out when control knob is released | <ol style="list-style-type: none"> 1. Control knob not fully pressed in 2. Control knob not pressed in long enough 3. Equipment shutoff valve not fully open 4. Pilot flame not touching thermocouple, which allows thermocouple to cool, causing pilot flame to go out. This problem could be caused by one or both of the following: A) Low gas pressure B) Dirty or partially clogged ODS/pilot 5. Thermocouple connection loose at control valve 6. Thermocouple damaged 7. Control valve damaged | <ol style="list-style-type: none"> 1. Press in control knob fully 2. After ODS/pilot lights, keep control knob pressed in 30 seconds 3. Fully open equipment shut-off valve 4. A) Contact local natural or propane/LP gas company B) Clean ODS/pilot (see <i>Cleaning and Maintenance</i>, page 24) or replace ODS/pilot assembly 5. Hand tighten until snug, then tighten 1/4 turn more 6. Replace pilot assembly 7. Replace control valve |
| Burner does not light after ODS/pilot is lit | <ol style="list-style-type: none"> 1. Inlet gas pressure is too low 2. Burner orifice(s) clogged 3. Thermopile leads disconnected or improperly connected 4. Burner will not come on in remote position | <ol style="list-style-type: none"> 1. Contact local natural or propane/LP gas company 2. Clean burner(s) (see <i>Cleaning and Maintenance</i>, page 24) or replace burner orifice(s) 3. Reconnect leads (see <i>Wiring Diagram</i>, page 29) 4. Replace battery in transmitter and receiver |
| Delayed ignition of one or both burners | <ol style="list-style-type: none"> 1. Manifold pressure is too low 2. Burner orifice(s) clogged | <ol style="list-style-type: none"> 1. Contact local natural or propane/LP gas company 2. Clean burner(s) (see <i>Cleaning and Maintenance</i>, page 24) or replace burner orifice(s) |
| Burner backfiring during combustion | <ol style="list-style-type: none"> 1. Burner orifice is clogged or damaged 2. Damaged burner 3. Gas regulator defective | <ol style="list-style-type: none"> 1. Clean burner (see <i>Cleaning and Maintenance</i>, page 24) or replace burner orifice(s) 2. Replace damaged burner 3. Replace gas regulator |
| Slight smoke or odor during initial operation | <ol style="list-style-type: none"> 1. Not enough air 2. Gas regulator defective 3. Residues from manufacturing processes and logs curing | <ol style="list-style-type: none"> 1. Check burner for dirt and debris. If found, clean burner (see <i>Cleaning and Maintenance</i>, page 24) 2. Replace gas control 3. Problem will stop after a few hours of operation |

TROUBLESHOOTING

Continued

| OBSERVED PROBLEM | POSSIBLE CAUSE | REMEDY |
|--|---|--|
| Moisture/condensation noticed on windows | 1. Not enough combustion/ventilation air | 1. Refer to <i>Air for Combustion and Ventilation</i> requirements (page 6) |
| Heater produces a whistling noise when burners are lit | 1. Turning control knob to HI position when burners are cold 2. Air in gas line 3. Air passageways on heater blocked 4. Dirty or partially clogged burner orifice(s) | 1. Turn control knob to LO position and let warm up for a minute 2. Operate burners until air is removed from line. Have gas line checked by local natural or propane/LP gas company 3. Observe minimum installation clearances (see page 10) 4. Clean burners (see <i>Cleaning and Maintenance</i> , page 24) or replace burner orifice(s) |
| White powder residue forming within burner box or on adjacent walls or furniture | 1. When heated, vapors from furniture polish, wax, carpet cleaners, etc. may turn into white powder residue | 1. Turn heater off when using furniture polish, wax, carpet cleaners or similar products |
| Remote does not function | 1. Battery is not installed. Battery power is low | 1. Replace 9-volt batteries in receiver and hand-held remote control |
| Fireplace produces a clicking/ticking noise just after burner is lit or shut off | 1. Metal expanding while heating or contracting while cooling | 1. This is normal with most heaters. If noise is excessive, contact qualified service person |

TROUBLESHOOTING

Continued



WARNING: If you smell gas

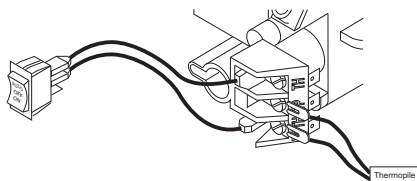
- Shut off gas supply.
- Do not try to light any appliance.
- Do not touch any electrical switch; do not use any phone in your building.
- Immediately call your gas supplier from a neighbor's phone. Follow the gas supplier's instructions.
- If you cannot reach your gas supplier, call the fire department.

IMPORTANT: Operating fireplace where impurities in air exist may create odors. Cleaning supplies, paint, paint remover, cigarette smoke, cements and glues, new carpet or textiles, etc., create fumes. These fumes may mix with combustion air and create odors. These odors will disappear over time.

| OBSERVED PROBLEM | POSSIBLE CAUSE | REMEDY |
|--|--|---|
| Fireplace produces unwanted odors | <ol style="list-style-type: none"> 1. Heater burning vapors from paint, hair spray, glues, cleaners, chemicals, new carpet, etc. (See <i>IMPORTANT</i> statement above) 2. Low fuel supply (propane/LP only) 3. Gas leak. See Warning statement at top of page | <ol style="list-style-type: none"> 1. Open window to ventilate room. Stop using odor causing products while heater is running 2. Refill supply tank (propane/LP only) 3. Locate and correct all leaks (see <u>Checking Gas Connections</u>, page 15) |
| Fireplace shuts off in use (ODS operates) | <ol style="list-style-type: none"> 1. Not enough fresh air is available 2. Low line pressure 3. ODS/pilot is partially clogged | <ol style="list-style-type: none"> 1. Open window and/or door for ventilation 2. Contact local natural or propane/LP gas company 3. Clean ODS/pilot (see <u>Cleaning and Maintenance</u>, page 24) |
| Gas odor even when control knob is in OFF position | <ol style="list-style-type: none"> 1. Gas leak. See Warning statement at top of page 2. Control valve or gas control defective | <ol style="list-style-type: none"> 1. Locate and correct all leaks (see <u>Checking Gas Connections</u>, page 15) 2. Replace control valve or gas control |
| Gas odor during combustion | <ol style="list-style-type: none"> 1. Foreign matter between control valve and burner 2. Gas leak. See Warning statement at top of page | <ol style="list-style-type: none"> 1. Take apart gas tubing and remove foreign matter 2. Locate and correct all leaks (see <u>Checking Gas Connections</u>, page 15) |
| Dark residue on logs inside of their fireplace <i>Note:</i> After removing all causes of residue deposits, completely clean fireplace and appliance off residue before reusing appliance | <ol style="list-style-type: none"> 1. Improper log placement 2. Drafts or other air currents affecting flame pattern 3. Air holes at burner inlet blocked 4. Burner flame holes blocked | <ol style="list-style-type: none"> 1. Properly locate logs (see <u>Installing Logs</u>, page 17) 2. Eliminate source of drafts around heater 3. Clean out air holes at burner inlet. Periodically repeat as needed 4. Remove blockage |

WIRING DIAGRAM

Note: For proper operation of optional accessories, the wires from the switch to the control must be connected exactly as shown.



SPECIFICATIONS

VYGF33NRC

- Rating: 20,000/30,000 Btu/Hr
- Gas Type: Natural Gas
- Ignition: Piezo
- Pressure Manifold: 3.5" W.C.
- Inlet Gas Pressure (in. of water):
Maximum - 10.5" W.C., Minimum* - 5" W.C.
- Shipping Weight: 122 lbs.

* For input adjustment

VYGF33PRC

- Rating: 20,000/33,000 Btu/Hr
- Gas Type: Propane/LP Gas
- Ignition: Piezo
- Pressure Manifold: 8.0" W.C.
- Inlet Gas Pressure (in. of water):
Maximum - 14" W.C., Minimum* - 11" W.C.
- Shipping Weight: 122 lbs.

* For input adjustment

REPLACEMENT PARTS

Note: Use only original replacement parts. This will protect your warranty coverage for parts replaced under warranty.

PARTS UNDER WARRANTY

Contact authorized dealers of this product. If they can't supply original replacement part(s), call DESA Heating, LLC at 1-866-672-6040. When calling DESA Heating, LLC, have ready

- your name and address
- model and serial numbers of your fireplace
- how fireplace was malfunctioning
- type of gas used (propane/LP or natural gas)
- purchase date

Usually, we will ask you to return the part to the factory.

PARTS NOT UNDER WARRANTY

Contact authorized dealers of this product. If they can't supply original replacement part(s), call DESA Heating, LLC at 1-866-672-6040 for referral information. When calling DESA Heating, LLC, have ready

- model number of your fireplace
- the replacement part number

TECHNICAL SERVICE

You may have further questions about installation, operation or troubleshooting. If so, contact DESA Heating, LLC at 1-866-672-6040. When calling, please have your model and serial numbers of your heater ready.

You can also visit DESA Heating, LLC's web site at www.desatech.com.

SERVICE HINTS

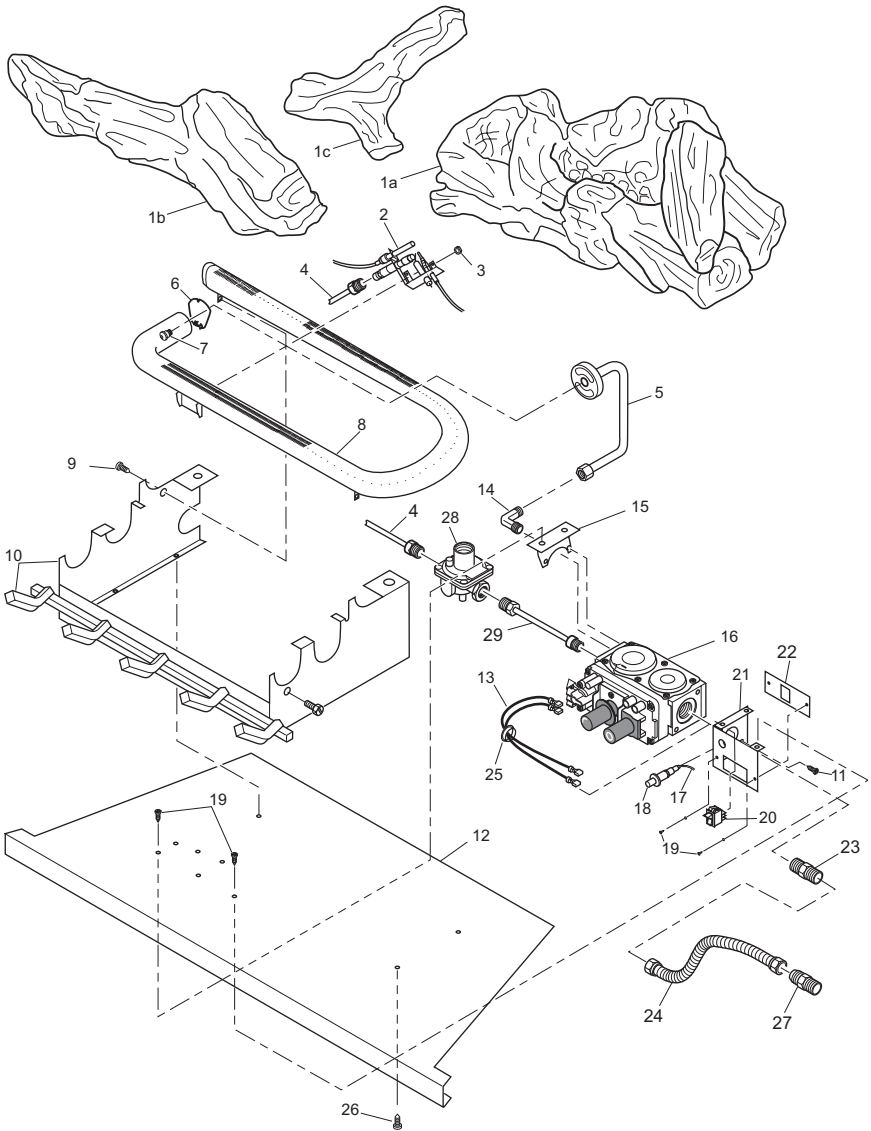
When Gas Pressure Is Too Low

- pilot will not stay lit
- burner will have delayed ignition
- fireplace will not produce specified heat
- for propane/LP unit, propane/LP gas supply may be low

You may feel your gas pressure is too low. If so, contact your local gas supplier.

PARTS

MODELS VYGF33PRC AND VYGF33NRC (SHOWN)



PARTS

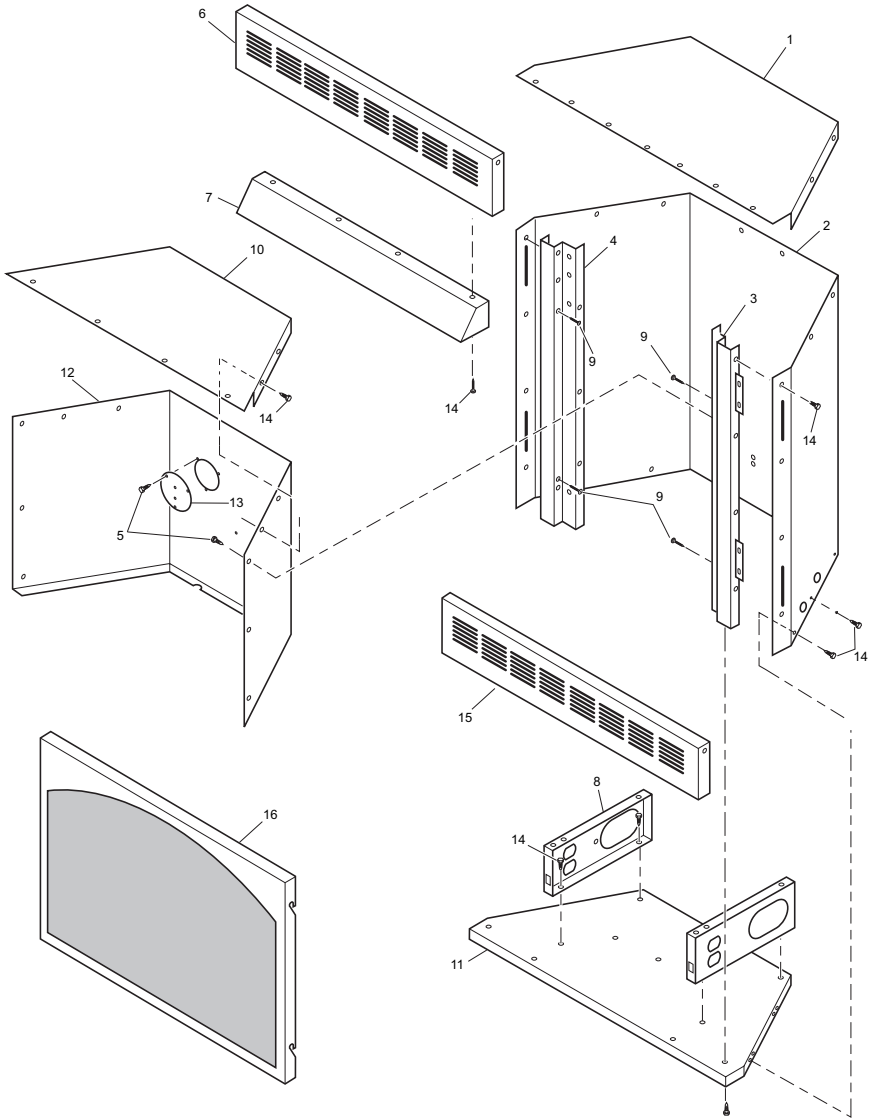
This list contains replaceable parts used in your fireplace. When ordering parts, follow the instructions listed under Replacement Parts on page 29 of this manual.

| KEY NO. | PART NO. | DESCRIPTION | V/GF33PRC | | QTY. |
|------------------------------------|-------------|---------------------------------|-----------|-----------|------|
| | | | | V/GF33NRC | |
| 1a | 122081-04 | Back Log | • | • | 1 |
| 1b | 122081-05 | Front Log | • | • | 1 |
| 1c | 122081-06 | Crossover Log | • | • | 1 |
| 2 | 103778-01 | ODS Pilot | • | | 1 |
| | 103779-01 | ODS Pilot | | • | 1 |
| 3 | 098249-01 | ODS Nut | • | • | 2 |
| 4 | 099387-09 | Pilot Tube | • | | 1 |
| | 100609-01 | Pilot Tube | | • | 1 |
| 5 | 104229-02 | Burner Outlet Tube | • | | 1 |
| | 104229-01 | Burner Outlet Tube | | • | 1 |
| 6 | 111124 -01 | Burner Retainer Spring | • | • | 1 |
| 7 | 099056-19 | Burner Orifice Injector | • | | 1 |
| | 099056-26 | Burner Orifice Injector | | • | 1 |
| 8 | 102772-01 | Burner | • | • | 2 |
| 9 | M11084-38 | Screw, #8 x 0.38 | • | • | 2 |
| 10 | 104236-01DD | Painted Base Assembly | • | • | 1 |
| 11 | M12461-26 | Screw, #10 x 0.32 | • | • | 4 |
| 12 | ** | Firebox Bottom | • | • | 1 |
| 13 | 103284-03 | Wiring Harness | • | • | 1 |
| 14 | 098265-02 | Elbow, Male | • | • | 1 |
| 15 | 103782-01 | Valve Bracket | • | • | 1 |
| 16 | 103781-02 | Gas Control Valve | • | | 1 |
| | 103781-01 | Gas Control Valve | | • | 1 |
| 17 | 098271-03 | Ignitor Cable | • | • | 1 |
| 18 | 102445-01 | Piezo Ignitor | • | • | 1 |
| 19 | 098304-01 | Screw | • | • | 7 |
| 20 | 099998-01 | Switch | • | • | 1 |
| 21 | 104241-01 | Remote Switch Bracket | • | • | 1 |
| 22 | 103587-01CK | Switch Plate | • | • | 1 |
| 23 | 097809-02 | Male Connector | • | • | 1 |
| 24 | 101628-03 | Flexible Connector (Hose) | • | • | 1 |
| 25 | M50104-02 | Bushing | • | • | 1 |
| 26 | M11084-26 | Screw, #10 x 0.38 | • | • | 4 |
| 27 | 901063-01 | 93/8" Flare x 1/2" NPT | • | • | 1 |
| 28 | 099918-02 | Pilot Regulator (Natural Only) | | • | 1 |
| 29 | 099387-07 | Pilot Tube (Valve to Regulator) | | • | 1 |
| PARTS AVAILABLE — NOT SHOWN | | | | | |
| | 097555-01 | Caution Decal | • | • | 1 |

** Not a field replaceable part.

PARTS

FIREBOX MODELS VYGF33PRC AND VYGF33NRC



PARTS

FIREBOX MODELS VYGF33PRC AND VYGF33NRC

This list contains replaceable parts used in your fireplace. When ordering parts, follow the instructions listed under Replacement Parts on page 29 of this manual.

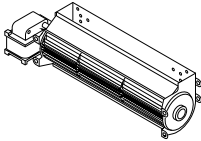
| KEY NO. | PART NO. | DESCRIPTION | QTY. |
|------------------------------------|-------------|------------------------------|------|
| 1 | 101357-03 | Top Outer Casing | 1 |
| 2 | ** | Outer Casing | 1 |
| 3 | ** | Right Front Side | 1 |
| 4 | ** | Left Front Side | 1 |
| 5 | 098304-01 | Phillips Pan Head Screw, #10 | 9 |
| 6 | 104239-01CK | Top Front Louver | 1 |
| 7 | 101712-03 | Firebox Hood | 1 |
| 8 | ** | Firebox Support | 2 |
| 9 | 099230-02 | Shoulder Screw | 4 |
| 10 | ** | Firebox Top | 1 |
| 11 | 101346-01 | Outer Base | 1 |
| 12 | ** | Firebox Wrapper | 1 |
| 13 | 101514-01ck | Cover | 1 |
| 14 | M11084-26 | Hex Screw, #10 | 45 |
| 15 | 110466-01 | Bottom Louvered Door | 1 |
| 16 | 101727-03 | Screen Assembly | 1 |
| PARTS AVAILABLE — NOT SHOWN | | | |
| | 101386-02 | Louvered Door Hinge | 2 |
| | 101784-01 | Magnet Catch | 2 |

** Not a field replaceable part.

ACCESSORIES

NOTICE: All accessories may not be available for all fireplace models.

Purchase these fireplace accessories from your local dealer. If they can not supply these accessories, call DESA Heating, LLC at 1-866-672-6040 for information. You can also write to the address listed on the back page of this manual.



BLOWER ACCESSORY GA3700 & GA3700T SERIES

For all models. Manual variable control and automatic thermostat variable control. A blower will increase air flow to maximize heat distribution.

DUPLEX OUTLET KIT - GA3555

For all models. For built-in installation when accessory blowers are used.

CLEANING KIT - CCK

For all models. Your vent-free gas appliance requires regular cleaning and maintenance to prevent performance problems. This kit gives you the tools and instructions to make it easy to clean all critical areas of your appliance.

FIREBOX PERIMETER TRIM KITS

PT32PB - Polished Brass

PT32 - Black

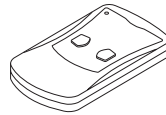
PT32P - Platinum

PT32B - Brushed Brass

For all models. Provides a finished appearance to your fireplace.

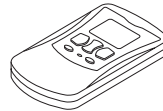
FIREBOX BRICK LINER G8005 SERIES

For all models. Ceramic fiber firebox liner adds the look of real brick.



RECEIVER AND HAND-HELD THERMOSTAT REMOTE CONTROL KIT - HRC100 SERIES

For all models. Allows the gas log heater to be operated in a manually or thermostatically-controlled mode. You can turn the gas log heater on and off without ever leaving the comfort of your easy chair. A wall-mount docking station is included.



RECEIVER AND HAND-HELD REMOTE CONTROL KIT - HRC200 SERIES

For all models. Allows the gas log heater to be turned on and off by using a hand-held remote control. A wall-mount docking station is included.

WALL-MOUNT THERMOSTAT SWITCH - GWMT1

For all models. The desired comfort setting can be selected on the wall thermostat and the log heater will automatically cycle from pilot to the heat setting selected.

ACCESSORIES

Continued

WALL-MOUNT ON/OFF SWITCH

GWMS2

For all models. Allows the gas log heater to be turned on and off with a wall switch.

FIRE CRACKLE - CF6-A

For all models. Creates the sound of a real burning fire.

MANTELS

32" Mantels

W32TU - 32" Wall Mantel, Unfinished, Traditional

W32TO - 32" Wall Mantel, Oak Stain, Traditional

C32TU - 32" Corner Mantel, Unfinished, Traditional

C32TO - 32" Corner Mantel, Oak Stain, Traditional

W32CO - 32" Wall Mantel, Oak Stain, Classic

C32CO - 32" Corner Mantel, Oak Stain, Classic

W32DO - 32" Wall Mantel, Oak Stain, Dentil

W32GO - 32" Wall Mantel, Oak Stain, Georgian

C32GO - 32" Corner Mantel, Oak Stain, Georgian

36" Mantels

W36TU - 36" Wall Mantel, Unfinished, Traditional

W36TO - 36" Wall Mantel, Oak Stain, Traditional

C36TU - 36" Corner Mantel, Unfinished, Traditional

C36TO - 36" Corner Mantel, Oak Stain, Traditional

Note: No 42" mantels offered at this time.

WARRANTY

KEEP THIS WARRANTY

Model (located on product or identification tag) _____

Serial No. (located on product or identification tag) _____

Date Purchased _____

Keep receipt for warranty verification.

DESA HEATING, LLC LIMITED WARRANTIES

New Products

Standard Warranty: DESA Heating, LLC warrants this new product and any parts thereof to be free from defects in material and workmanship for a period of four (4) years from the date of first purchase from an authorized dealer provided the product has been installed, maintained and operated in accordance with DESA Heating, LLC's warnings and instructions.

For products purchased for commercial, industrial or rental usage, this warranty is limited to 90 days from the date of first purchase.

Factory Reconditioned Products

Limited Warranty: DESA Heating, LLC warrants factory reconditioned products and any parts thereof to be free from defects in material and workmanship for 30 days from the date of first purchase from an authorized dealer provided the product has been installed, maintained and operated in accordance with DESA Heating, LLC's warnings and instructions.

Terms Common to All Warranties

The following terms apply to all of the above warranties:

Always specify model number and serial number when contacting the manufacturer. To make a claim under this warranty the bill of sale or other proof of purchase must be presented.

This warranty is extended only to the original retail purchaser when purchased from an authorized dealer, and only when installed by a qualified installer in accordance with all local codes and instructions furnished with this product.

This warranty covers the cost of part(s) required to restore this product to proper operating condition and an allowance for labor when provided by a DESA Heating, LLC Authorized Service Center or a provider approved by DESA Heating, LLC. Warranty parts must be obtained through authorized dealers of this product and/or DESA Heating, LLC who will provide original factory replacement parts. Failure to use original factory replacement parts voids this warranty.

Travel, handling, transportation, diagnostic, material, labor and incidental costs associated with warranty repairs, unless expressly covered by this warranty, are not reimbursable under this warranty and are the responsibility of the owner.

Excluded from this warranty are products or parts that fail or become damaged due to misuse, accidents, improper installation, lack of proper maintenance, tampering, or alteration(s).

This is DESA Heating, LLC's exclusive warranty, and to the full extent allowed by law; this express warranty excludes any and all other warranties, express or implied, written or verbal and limits the duration of any and all implied warranties, including warranties of merchantability and fitness for a particular purpose to four (4) years on new products and 30 days on factory reconditioned products from the date of first purchase. DESA Heating, LLC makes no other warranties regarding this product.

DESA Heating, LLC's liability is limited to the purchase price of the product, and DESA Heating, LLC shall not be liable for any other damages whatsoever under any circumstances including indirect, incidental, or consequential damages.

Some states do not allow limitations on how long an implied warranty lasts or the exclusion or limitation of incidental or consequential damages, so the above limitation or exclusion may not apply to you.

This warranty gives you specific legal rights, and you may also have other rights which vary from state to state.

For information about this warranty contact:



113109 01
NOT A UPC



DESA Heating, LLC
2701 Industrial Drive
Bowling Green, KY 42101
www.desatech.com
1-866-672-6040

113109-01
Rev. G
09/08

Free Manuals Download Website

<http://myh66.com>

<http://usermanuals.us>

<http://www.somanuals.com>

<http://www.4manuals.cc>

<http://www.manual-lib.com>

<http://www.404manual.com>

<http://www.luxmanual.com>

<http://aubethermostatmanual.com>

Golf course search by state

<http://golfingnear.com>

Email search by domain

<http://emailbydomain.com>

Auto manuals search

<http://auto.somanuals.com>

TV manuals search

<http://tv.somanuals.com>