

DENON

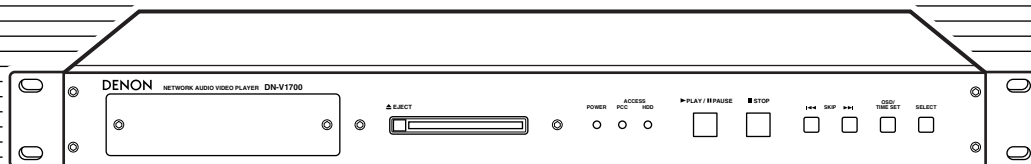
NETWORK AUDIO VIDEO PLAYER

DN-V1700

OPERATING INSTRUCTIONS

MODE D'EMPLOI

INSTRUCCIONES DE OPERACION



FOR ENGLISH READERS PAGE 6 ~ PAGE 37
POUR LES LECTEURS FRANCAIS PAGE 38 ~ PAGE 69
PARA LECTORES DE ESPAÑOL PAGINA 70 ~ PAGINA 101

IMPORTANT TO SAFETY

WARNING:

TO PREVENT FIRE OR SHOCK HAZARD, DO NOT EXPOSE THIS APPLIANCE TO RAIN OR MOISTURE.

CAUTION:

1. Handle the power supply cord carefully

Do not damage or deform the power supply cord. If it is damaged or deformed, it may cause electric shock or malfunction when used. When removing from wall outlet, be sure to remove by holding the plug attachment and not by pulling the cord.

2. Do not open the top cover

In order to prevent electric shock, do not open the top cover. If problems occur, contact your DENON DEALER.

3. Do not place anything inside

Do not place metal objects or spill liquid inside the network audio-video player.
Electric shock or malfunction may result.

Please, record and retain the Model name and serial number of your set shown on the rating label.

Model No. DN-V1700 Serial No. _____

NOTE:

This network audio-video player. uses the semiconductor laser. To allow you to enjoy music at a stable operation, it is recommended to use this in a room of 5 °C (41 °F) ~ 35 °C (95 °F).

CAUTION:

USE OF CONTROLS OR ADJUSTMENTS OR REFORMANCE OF PROCEDURES OTHER THAN THOSE SPECIFIED HEREIN MAY RESULT IN HAZARDOUS RADIATION EXPOSURE.

THE NETWORK AUDIO-VIDEO PLAYER SHOULD NOT BE ADJUSTED OR REPAIRED BY ANYONE EXCEPT PROPERLY QUALIFIED SERVICE PERSONNEL.

This device complies with Part 15 of the FCC Rules. Operation is subject to the following two conditions: (1) This device may not cause harmful interference, and (2) this device must accept any interference received, including interference that may cause undesired operation.

This Class A digital apparatus meets all requirements of the Canadian Interference-Causing Equipment Regulations.

Cet appareil numérique de la classe A respecte toutes les exigences du Règlement sur le matériel brouilleur du Canada.

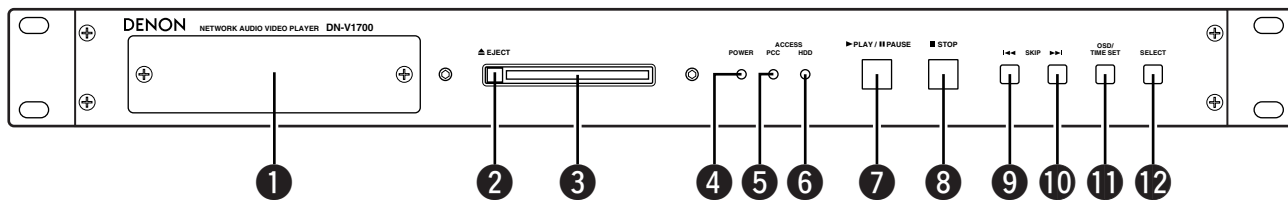
CAUTION:

- The ventilation should not be impeded by covering the ventilation openings with items, such as newspapers, tablecloths, curtains, etc.
- No naked flame sources, such as lighted candles, should be placed on the apparatus.
- Please be care the environmental aspects of battery disposal.
- The apparatus shall not be exposed to dripping or splashing for use.
- No objects filled with liquids, such as vases, shall be placed on the apparatus.

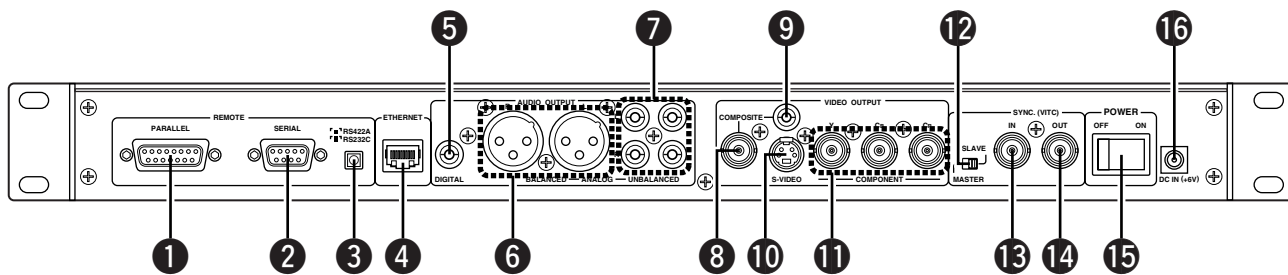
Copyrights / Droits d'auteur / Derechos de Autor

- It is prohibited by law to reproduce, broadcast, rent or play discs in public without the consent of the copyright holder.
- La reproduction, la diffusion, la location, le prêt ou la lecture publique de ces disques sont interdits sans le consentement du détenteur des droits d'auteur.
- De acuerdo con las leyes está prohibido reproducir, emitir, alquilar o interpretar discos en público sin la autorización del propietario de los derechos de autor.

FRONT PANEL
 PANNEAU AVANT
 PANEL FRONTAL



REAR PANEL
 PANNEAU ARRIERE
 PANEL TRASERO

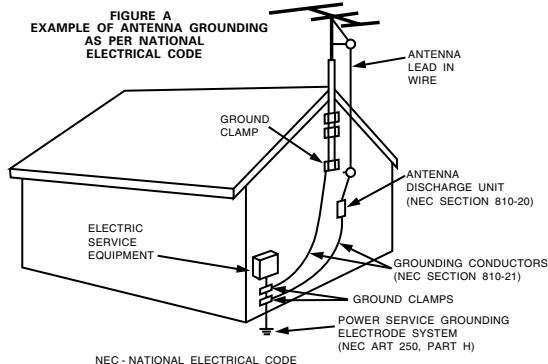


SAFETY INSTRUCTIONS

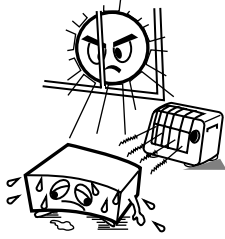
1. Read Instructions – All the safety and operating instructions should be read before the product is operated.
2. Retain Instructions – The safety and operating instructions should be retained for future reference.
3. Heed Warnings – All warnings on the product and in the operating instructions should be adhered to.
4. Follow Instructions – All operating and use instructions should be followed.
5. Cleaning – Unplug this product from the wall outlet before cleaning. Do not use liquid cleaners or aerosol cleaners.
6. Attachments – Do not use attachments not recommended by the product manufacturer as they may cause hazards.
7. Water and Moisture – Do not use this product near water – for example, near a bath tub, wash bowl, kitchen sink, or laundry tub; in a wet basement; or near a swimming pool; and the like.
8. Accessories – Do not place this product on an unstable cart, stand, tripod, bracket, or table. The product may fall, causing serious injury to a child or adult, and serious damage to the product. Use only with a cart, stand, tripod, bracket, or table recommended by the manufacturer, or sold with the product. Any mounting of the product should follow the manufacturer's instructions, and should use a mounting accessory recommended by the manufacturer.
9. A product and cart combination should be moved with care. Quick stops, excessive force, and uneven surfaces may cause the product and cart combination to overturn.
10. Ventilation – Slots and openings in the cabinet are provided for ventilation and to ensure reliable operation of the product and to protect it from overheating, and these openings must not be blocked or covered. The openings should never be blocked by placing the product on a bed, sofa, rug, or other similar surface. This product should not be placed in a built-in installation such as a bookcase or rack unless proper ventilation is provided or the manufacturer's instructions have been adhered to.
11. Power Sources – This product should be operated only from the type of power source indicated on the marking label. If you are not sure of the type of power supply to your home, consult your product dealer or local power company. For products intended to operate from battery power, or other sources, refer to the operating instructions.
12. Grounding or Polarization – This product may be equipped with a polarized alternating-current line plug (a plug having one blade wider than the other). This plug will fit into the power outlet only one way. This is a safety feature. If you are unable to insert the plug fully into the outlet, try reversing the plug. If the plug should still fail to fit, contact your electrician to replace your obsolete outlet. Do not defeat the safety purpose of the polarized plug.



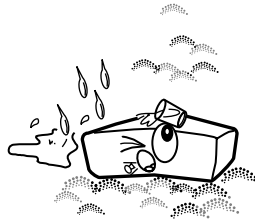
13. Power-Cord Protection – Power-supply cords should be routed so that they are not likely to be walked on or pinched by items placed upon or against them, paying particular attention to cords at plugs, convenience receptacles, and the point where they exit from the product.
15. Outdoor Antenna Grounding – If an outside antenna or cable system is connected to the product, be sure the antenna or cable system is grounded so as to provide some protection against voltage surges and built-up static charges. Article 810 of the National Electrical Code, ANSI/NFPA 70, provides information with regard to proper grounding of the mast and supporting structure, grounding of the lead-in wire to an antenna discharge unit, size of grounding conductors, location of antenna-discharge unit, connection to grounding electrodes, and requirements for the grounding electrode. See Figure A.
16. Lightning – For added protection for this product during a lightning storm, or when it is left unattended and unused for long periods of time, unplug it from the wall outlet and disconnect the antenna or cable system. This will prevent damage to the product due to lightning and power-line surges.
17. Power Lines – An outside antenna system should not be located in the vicinity of overhead power lines or other electric light or power circuits, or where it can fall into such power lines or circuits. When installing an outside antenna system, extreme care should be taken to keep from touching such power lines or circuits as contact with them might be fatal.
18. Overloading – Do not overload wall outlets, extension cords, or integral convenience receptacles as this can result in a risk of fire or electric shock.
19. Object and Liquid Entry – Never push objects of any kind into this product through openings as they may touch dangerous voltage points or short-out parts that could result in a fire or electric shock. Never spill liquid of any kind on the product.
20. Servicing – Do not attempt to service this product yourself as opening or removing covers may expose you to dangerous voltage or other hazards. Refer all servicing to qualified service personnel.
21. Damage Requiring Service – Unplug this product from the wall outlet and refer servicing to qualified service personnel under the following conditions:
 - a) When the power-supply cord or plug is damaged,
 - b) If liquid has been spilled, or objects have fallen into the product,
 - c) If the product has been exposed to rain or water,
 - d) If the product does not operate normally by following the operating instructions. Adjust only those controls that are covered by the operating instructions as an improper adjustment of other controls may result in damage and will often require extensive work by a qualified technician to restore the product to its normal operation,
 - e) If the product has been dropped or damaged in any way, and
 - f) When the product exhibits a distinct change in performance – this indicates a need for service.
22. Replacement Parts – When replacement parts are required, be sure the service technician has used replacement parts specified by the manufacturer or have the same characteristics as the original part. Unauthorized substitutions may result in fire, electric shock, or other hazards.
23. Safety Check – Upon completion of any service or repairs to this product, ask the service technician to perform safety checks to determine that the product is in proper operating condition.
24. Wall or Ceiling Mounting – The product should be mounted to a wall or ceiling only as recommended by the manufacturer.
25. Heat – The product should be situated away from heat sources such as radiators, heat registers, stoves, or other products (including amplifiers) that produce heat.



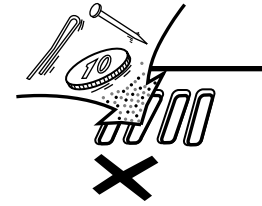
NOTE ON USE / OBSERVATIONS RELATIVES A L'UTILISATION / NOTAS SOBRE EL USO



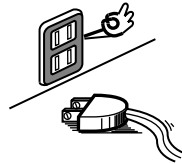
- Avoid high temperatures.
Allow for sufficient heat dispersion when installed on a rack.
- Eviter des températures élevées.
Tenir compte d'une dispersion de chaleur suffisante lors de l'installation sur une étagère.
- Evite altas temperaturas.
Permite la suficiente dispersión del calor cuando está instalado en la consola.



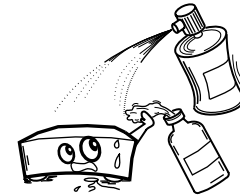
- Keep the set free from moisture, water, and dust.
- Protéger l'appareil contre l'humidité, l'eau et la poussière.
- Mantenga el equipo libre de humedad, agua y polvo.



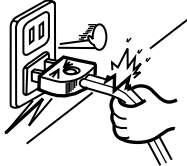
- Do not let foreign objects in the set.
- Ne pas laisser des objets étrangers dans l'appareil.
- No deje objetos extraños dentro del equipo.



- Unplug the power cord when not using the set for long periods of time.
- Débrancher le cordon d'alimentation lorsque l'appareil n'est pas utilisé pendant de longues périodes.
- Desconecte el cordón de energía cuando no utilice el equipo por mucho tiempo.



- Do not let insecticides, benzene, and thinner come in contact with the set.
- Ne pas mettre en contact des insecticides, du benzène et un diluant avec l'appareil.
- No permita el contacto de insecticidas, gasolina y diluyentes con el equipo.

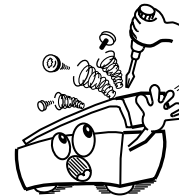


- Handle the power cord carefully.
Hold the plug when unplugging the cord.
- Manipuler le cordon d'alimentation avec précaution.
Tenir la prise lors du débranchement du cordon.
- Maneje el cordón de energía con cuidado.
Sostenga el enchufe cuando desconecte el cordón de energía.



* (For sets with ventilation holes)

- Do not obstruct the ventilation holes.
- Ne pas obstruer les trous d'aération.
- No obstruya los orificios de ventilación.



- Never disassemble or modify the set in any way.
- Ne jamais démonter ou modifier l'appareil d'une manière ou d'une autre.
- Nunca desarme o modifique el equipo de ninguna manera.

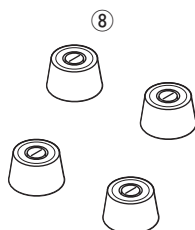
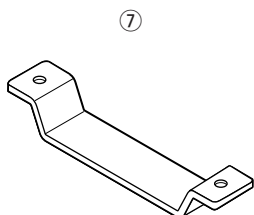
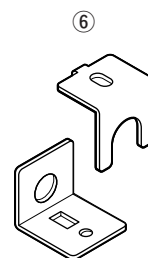
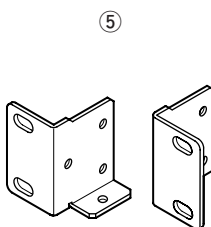
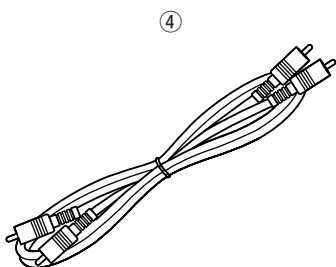
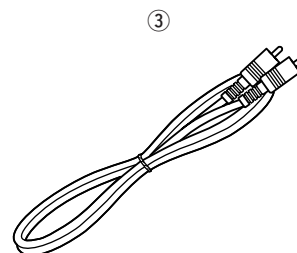
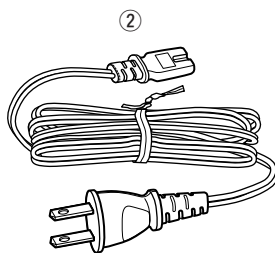
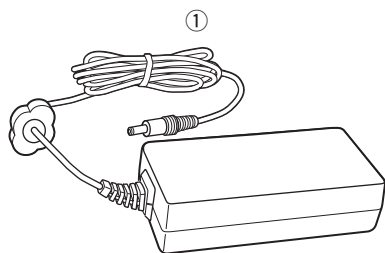
— TABLE OF CONTENTS —

1 Features	7	11 Current	19
2 Handling Precautions	7	12 Playback Using the Main Unit Controls	20, 21
3 Compatible Flash Memory Card List	8	13 Internal Hard Disk Drive	21 ~ 23
4 Playback Medium Contents	9 ~ 11	14 Serial Remote Control Terminal.....	23 ~ 28
5 Preparations	12, 13	15 Parallel Remote Control Terminal	28, 29
6 Name and Functions of Parts	14, 15	16 Playing Script Files.....	30, 31
7 Synchronization Connections.....	15, 16	17 Network Interface.....	32
8 Connections to External Devices.....	17	18 On-Screen Display (OSD)	33 ~ 35
9 Setting the Internal Clock	18	19 Troubleshooting.....	36, 37
10 Main Unit LED Indicators.....	19	20 Main Specifications.....	37

• ACCESSORIES

The following accessories should be included in addition to the main unit. Please check before using.

1 AC adaptor	1	8 Feet	4
2 Power cord.....	1	9 Mount screws	Short: 1, Long: 9
3 Video cord	1	• For rack mount fittings.....	Long: 6
4 Audio cord (stereo).....	1	• For DC plug disconnection prevention fittings	Short: 1, Long: 1
5 Rack mount fittings	1 each for left and right	• For IC memory card protector	Long: 2
6 DC plug disconnection prevention fittings	1 each for A and B	10 Operating instructions.....	1
7 IC memory card protector.....	1		



1 MAIN FEATURES

1. The DN-V1700 uses Flash Memory card as the playback medium, achieving highly reliable operation without moving mechanism. (At IC card operation.)
2. Various I/O and control terminals are prepared in 1U rack mountable size.
3. The unit uses globally accepted MPEG format for high compression ration and with superior sound and video quality.
4. DN-V1700 also supports linear PCM audio playback.
5. Various playback controls are realized the script (program) language.
6. Video Frame synchronization by VITC.
7. DN-V1700 is equipped with FTP server function through 10 Base-T/100 Base-TX Ethernet connector.
8. RS232C/RS422A serial connector (switchable) is equipped.
9. Parallel I/O terminal for external controller and tally operations.
10. DN-V1700 is equipped with a 2.5-inch sized hard disk drive.

2 HANDLING PRECAUTIONS

Condensation

■ Definition

Condensation is the same phenomenon as water droplets forming on windows of a heated room in the winter.

■ Conditions causing condensation

If the set is brought from the cold outdoors in the winter into a heated room or if the temperature in the room where the set is located rises suddenly due to a strong heater, for example, water droplets will form on the operating parts inside the set and the set will no longer operate normally.

Condensation can also form in the summer if the set is exposed to the wind coming directly from an air conditioner. If so, move the set to a different place.



■ What to do if condensation occurs

If condensation should occur, let the set sit for a while without turning on the power. (Usually the set will become functional in one to two hours, though this depends on the surrounding conditions.)

Backing up data

If the playback medium (hard disk drive, etc.) should itself fail, you will not be able to recover the data. We strongly suggest to you make backups.

Please back up the data on the hard disk drive before turning in the set for repairs.

Note that DENON will not accept any responsibility whatsoever for loss of or changes to data during repairs.

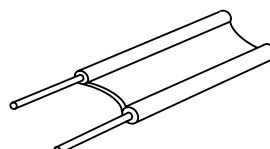
When moving the unit

Turn off the power, unplug the power cord, and disconnect all external connection cords (connection cords to other devices, etc.) before moving the unit. Failure to do so could damage the cords, leading to fire or electric shock.

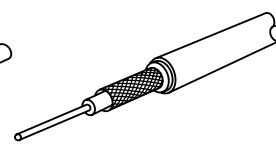
Also, be careful not to drop the unit or subject it to strong shocks, as doing so could damage the unit.

Installation Precautions

- Using the set or other electronic equipment including microprocessors at the same time as a tuner or TV may result in noise in the tuner's or TV's sound or disturb the TV picture. If this should happen, take the following measures:
 - Move the set as far from the tuner or TV as possible.
 - Move the tuner's or TV's antenna wire away from the set's power cord and the input/output connection cords (pin-plug cords).
 - Noise or disturbed picture tends to occur particularly when using internal antennas or 300 Ω /ohms fader cords. We recommend using an external antenna and 75 Ω /ohms coaxial cable.



300 Ω /ohms fader cord

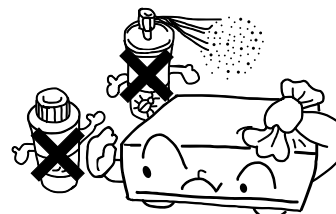


75 Ω /ohms coaxial cable

- The set is equipped with a hard disk drive. Do not use it near devices that generate magnetic forces (speakers, etc.).

Cleaning

- To remove dirt from the cabinet or control panel, wipe gently using a soft cloth.
 - Before using a chemical-impregnated cloth, read its cautions.
- Exposing the set to benzene, thinner or other organic solvents or pesticides could mar the surface. Avoid using such products.



3 COMPATIBLE FLASH MEMORY CARD LIST

Card to be used (playback media)

- The DN-V1700 uses Flash Memory card as playback media.
- Please use an adaptor to use a Compact Flash card.

Nominal Capacity	Lexar Media	Hagiwara Sys-com	Hagiwara Sys-com
	Compact Flash	Compact Flash	ATA
	Model	Model	Model
32 MB	CF032-200	CFC-032MBA (H00AB)	...
64 MB	CF064-200	CFC-064MBA (H00AA)	...
96 MB	...	CFC-096MBA (H00AB)	...
128 MB	CF128-12-360	CFC-128MBA (H00AA)	...
160 MB	CF160-12-360	CFC-160MBA (H00AB)	...
192 MB	CF192-12-360	CFC-192MBA (H00AB)	...
256 MB	CF256-12-360	CFC-256MBA (H00AA)	...
320 MB	CF320-12-360	CFC-320MBA (H00AB)	...
384 MB	...	CFC-384MBA (H00AA)	...
512 MB	CF512-12-360	CFC-512MBA (H00AA)	...
640 MB	ATC-640MBA (H00AA)
768 MB	ATC-768MBA (H00AA)
1024 MB	ATC-1G02BA (H00AA)
1280 MB	ATC-1G28BA (H00AA)
1536 MB	ATC-1G53BA (H00AA)
1792 MB	ATC-1G79BA (H00AA)
2048 MB	ATC-2G04BA (H00AA)

*1) Compact Flash™ is a registered trademark of SanDisk.

- * The above table is valid as of May, 2002. Some cards may no longer be produced or sold.
- * DN-V1700 does not support memory card with a capacity less than 32 MB.

NOTE:

Unlike digital still cameras, DN-V1700 continuously accesses large amount of data, resulting in higher level of technical requirements for selection of Flash Memory card.

Some commercially available Flash Memory cards do not fulfill the data transfer rate requirement, and we listed here the memory cards that have sufficient access speed.

If a non-listed memory card is used, it may happened that playback would randomly halt or stop, and playback many not be possible.

4 PLAYBACK MEDIUM CONTENTS

(1) Formatting

- **Format type**
 DN-V1700 accepts FAT 16 and FAT 32 formatted media, and media formatted in other type such as FAT 12 or NTFS will not work with DN-V1700.
 Cluster size should be 2kB or larger.
 Please use FAT 16. If the media is larger than 2GB, please use FAT 32.
 Only primary partition is recognized. Do not create extended partition.
- **Cluster size**
 The cluster size is the smallest unit of data when writing on Flash Memory cards.
 The cluster size may change when cards are formatted on PCs or any devices other than the DN-V1700.

(2) Video/still picture and audio formats

The DN-V1700 corresponds to the following format.

- **VIDEO and AUDIO file format** [File names are given the extension: mpg]
 System: ISO/IEC 13818-1 MPEG2 PS (Program Stream)
 CBR (Constant Bit Rate) or VBR (Variable Bit Rate) Max. 10 Mbps*
 VIDEO: ISO/IEC 13818-2 MPEG2 MP@ML 720 x 480 (NTSC)
 AUDIO: ISO/IEC 11172-3 MPEG1 – Audio Layer 2
 Sampling Frequency: 48 kHz, 44.1 kHz
 File size: From 2 MB to 2 GB
- **VIDEO (with no AUDIO) file format** [File names are given the extension: mpv]
 VIDEO: ISO/IEC 13818-2 MPEG2 MP@ML ES (Elementary Stream) 720 x 480 (NTSC)
 CBR (Constant Bit Rate) or VBR (Variable Bit Rate) Max. 10 Mbps*
 File size: From 2 MB to 2 GB
- **Still picture file format** [File names are given the extension: mpi]
 Still picture: ISO/IEC 13818-2 MPEG2 MP@ML ES (Elementary Stream) 720 x 480 (NTSC)
 1 frame only (Intra frame picture)
 File size: From 4 kB to 224 kB
- **AUDIO (with no VIDEO) file format**
 AUDIO: ISO/IEC 11172-3 MPEG1 – Audio Layer 2
 Sampling frequency: 48 kHz, 44.1 kHz
 [File names are given the extension: mpa]
 or
 AUDIO: 16 bit Linear PCM
 Sampling frequency: 48 kHz, 44.1 kHz
 [File names are given the extension: wav]
 File size: Playback time is 2 seconds or more. MAX 2 GB
- * **Special Notes**
 - 1) As mentioned in Note in page 8, operation at the maximum bit rate may not be possible if a memory card with lower access speed is used.
 - 2) You will also have to pay attention to the quality of video encoder.
 Even though high quality memory card and higher bit rate is used, use of low quality encoder system may result in intermittent or low quality video playback.

(3) Directories and file organization

In order that DN-V1700 operates properly, data should be written on the media in prescribed directories and in the specified manner. Directories other than what are prescribed here, should not be created.

■ File name

A file name is eight characters or less with alpha-numeric characters according to ASCII code. Long file name (VFAT) is not supported.

Number: from 0 to 9, alphabet: A to Z, Symbol: _

■ Extension

- VIDEO and AUDIO Program stream: mpg
- VIDEO (with no AUDIO) Elementary stream: mpv
- Still picture: mpi
- AUDIO (with no VIDEO) MPEG1 Layer 2 Audio: mpa
- AUDIO (with no VIDEO) 16 bit Linear PCM: wav
- Script file (play list file): dsc

■ Directories

All the files should be stored in the following directories only.

No duplicate file names are accepted.

The maximum file numbers of VIDEO, SCRIPT, and an AUDIO directory is 999.

The number of the maximum files of a PICTURE directory is 9999.

Please be sure to create the VIDEO, SCRIPT, AUDIO and PICTURE directories irrespective of the existence of a file (If the media is formatted by DN-V1700, these directories will automatically be created).

The SYS directory is used by the DN-V1700 to output log files, etc.

* DN-V1700 recognizes both fs = 48 kHz and 44.1 kHz for mpg, mpa and wav audio files.

It is, however, recommended that you stick to either of sampling frequencies.

DN-V1700 will need c.a.1 second to switch the sampling frequency mode.

```

\ROOT
├── \VIDEO
│   ├── ***.mpg (MPEG2-PS (VIDEO and AUDIO))
│   └── ***.mpv (MPEG2-ES (VIDEO (with no AUDIO)))
├── \AUDIO
│   ├── ***.mpa (MPEG1 Layer2 AUDIO (with no VIDEO))
│   └── ***.wav (16bit Linear PCM AUDIO (with no VIDEO))
├── \PICTURE
│   └── ***.mpi (MPEG2-ES (Still picture))
├── \SCRIPT
│   └── ***.dsc (script file (play list file))
└── \SYS
    └── ***.log (log file)

```

(4) Playing time

The playing time on the DN-V1700 depends on the capacity of the card and the playback bit rate. Below is a description of basic methods for calculating the playing time and some examples.

■ Video + audio

Video playback bit rate (kbps) x playing time (sec.) = capacity of video portion

Audio playback bit rate (kbps) x playing time (sec.) x 2 (2 channels, left and right) = capacity of audio portion

Capacity of video portion + capacity of audio portion = Total capacity (kbit)

Total capacity (kbit) ÷ 8 = Total capacity (kByte)

Total capacity (kByte) ÷ 1024 = Total capacity (required card capacity) (MByte)

■ Video only

Video playback bit rate (kbps) x playing time (sec.) = Total capacity (kbit)

Total capacity (kbit) ÷ 8 = Total capacity (kByte)

Total capacity (kByte) ÷ 1024 = Total capacity (required card capacity) (MByte)

■ Still pictures

Still pictures capacity per image (kbit) ÷ 8 = Total capacity (kByte)

Total capacity (kByte) ÷ 1024 = Total capacity (required card capacity) (MByte)

■ Audio only (MPEG1 Audio Layer 2)

Audio playback bit rate (kbps) x playing time (sec.) x 2 (2 channels, left and right) = Total capacity (kbit)

Total capacity (kbit) ÷ 8 = Total capacity (kByte)

Total capacity (kByte) ÷ 1024 = Total capacity (required card capacity) (MByte)

■ Audio only (16 bit Linear PCM)

16 (bits) x sampling frequency (kHz) x playing time (sec.) x 2 (2 channels, left and right) = Total capacity (kbit)

Total capacity (kbit) ÷ 8 = Total capacity (kByte)

Total capacity (kByte) ÷ 1024 = Total capacity (required card capacity) (MByte)

[Example] Calculations of required capacities

Recorded content	Recording bit rate	Recording time (example)	Capacity	Formula
Video + audio	3 Mbps (including 128 kbps x 2 ch audio)	2 min.	45 MB	$3 \times 120 \div 8 = 45$
	8 Mbps (including 128 kbps x 2 ch audio)	2 min.	120 MB	$8 \times 120 \div 8 = 120$
Audio only	MPEG 128 kbps	60 min.	113 MB	$128 \times 3600 \times 2 \div 8 \div 1024 = 113$
	16 bit Linear PCM 48 kHz	10 min.	225 MB	$16 \times 48 \times 600 \times 2 \div 8 \div 1024 = 225$
Still pictures	100 kB x no. pictures	500	49 MB	$100 \times 500 \div 1024 = 49$
Still pictures + audio	100 kB x no. pictures Audio MPEG 128 kbps	500 60 min.	162 MB	$100 \times 500 \div 1024 + 128 \times 3600 \div 8 \div 1024 = 162$

5 PREPARATIONS

■ Checking the accessories

Check that all the accessories are included, referring to the section "Accessories".

■ Mounting on the rack

The DN-V1700 uses a rack-mount chassis (1U).

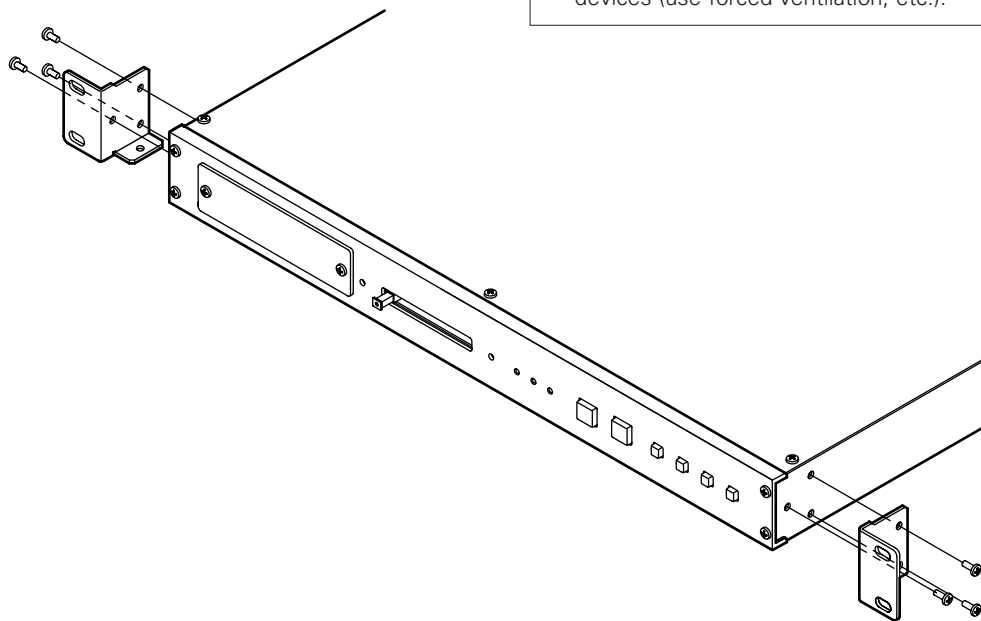
Use the included rack mount fittings as shown below to mount the DN-V1700 on a 1U type rack mount rack.

NOTE:

When mounting the DN-V1700 on the rack, be sure to use guide rails or shelf boards, etc., on the rack side to prevent weight from being applied to the front of the DN-V1700.

The weight of the DN-V1700 cannot be supported only with the fittings.

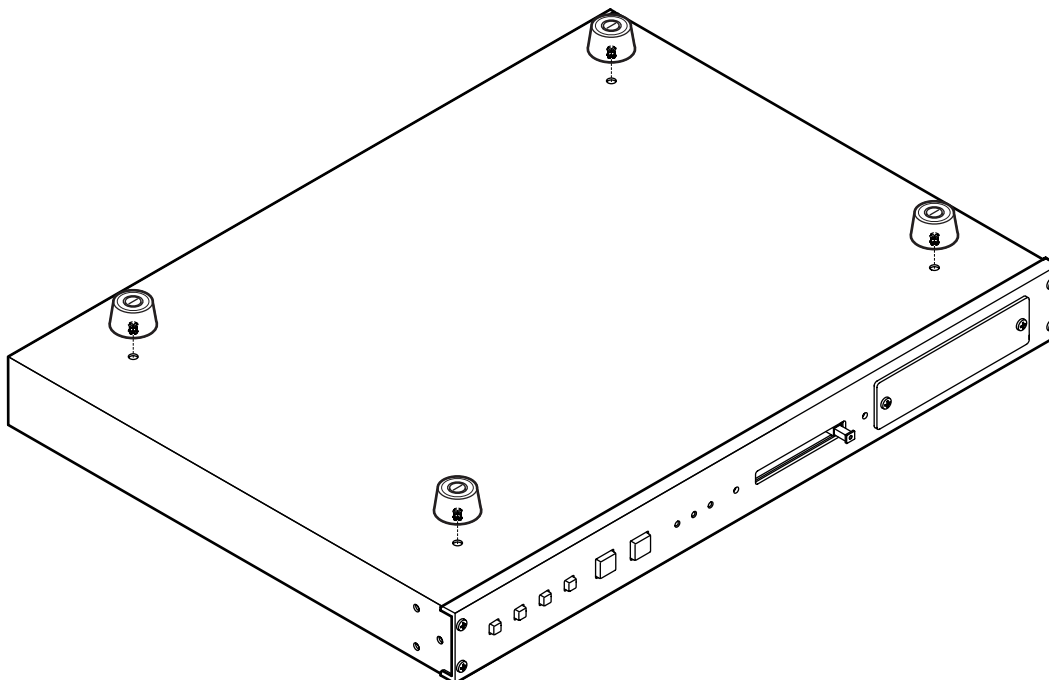
Also take sufficient considerations for the installation environment, for example with respect to heat from other devices (use forced ventilation, etc.).



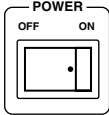
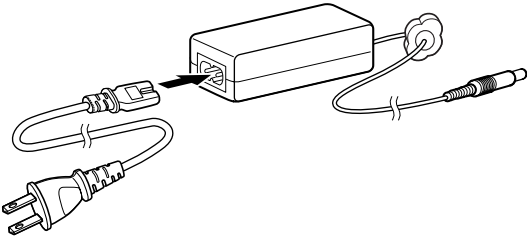
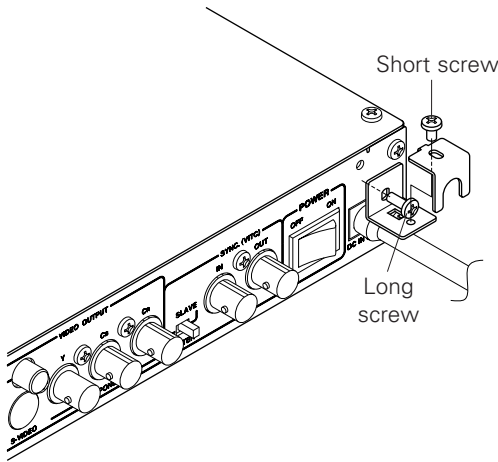
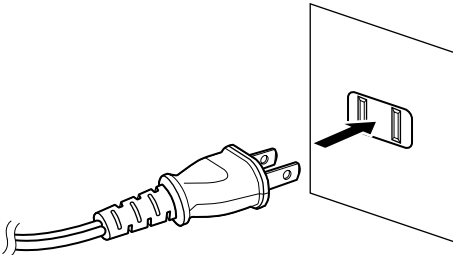
■ Mounting the feet

Set the feet in the holes in the bottom of the set and push them at the center to insert them fully.

* The feet are press-fitted into the set, so they cannot be removed once mounted.



■ Connecting the AC adaptor

<p>1</p>		<p>Set the DN-V1700's power switch to the OFF position.</p>
<p>2</p>		<p>Insert the power cord's inlet into the AC adaptor's AC input side.</p>
<p>3</p>		<p>Insert the AC adaptor's DC plug into the DN-V1700's DC jack. Mount the DC plug disconnection prevention fittings (A and B) so that the DC plug does not come disconnected.</p>
<p>4</p>		<p>Plug the power cord into a power outlet.</p>

Cautions on the AC Adaptor

- Be sure to use the included AC adaptor.
- Be sure to set the DN-V1700's power switch to the OFF position when plugging in and unplugging the AC adaptor.
- Note that plugging in the AC adaptor while the set's power is turned on may damage the set or the IC memory card.
- Do not pull on the DC plug cord with excessive force when the DC plug disconnection prevention fittings (A and B) are connected. Doing so will damage the DC plug cord, possibly damaging the set.

6 NAME AND FUNCTIONS OF PARTS (See page 3.)

(1) Front panel

- 1 **Internal HDD**
This is the internal hard disk drive.
- 2 **IC memory card eject button (EJECT)**
Press this to eject the IC memory card. Be sure the stop mode is set or the power is turned off when ejecting the IC memory card. In particular, never eject the card when the IC memory card access lamp is flashing or lit (except when the access lamp is flashing to indicate an error).
If the eject operation is performed when the card is being accessed, the data may be lost and the set may be damaged. Should this happen, "reboot!!!" may output from the set's video output and the set may be reset forcibly.
- 3 **IC memory card slot (drive)**
This is where the IC memory card is inserted. Be sure to load the IC memory card securely.
- 4 **POWER indicator**
This lights when the set's power is on.
- 5 **IC memory card access lamp (ACCESS PCC)**
This lights or flashes when the IC memory card is being accessed.
- 6 **Hard disk access lamp (ACCESS HDD)**
This lights or flashes when the hard disk drive is being accessed.
- 7 **PLAY/PAUSE button**
In the normal play mode with a file selected, press this in the stop or pause mode to start playback. When pressed during playback, the pause mode is set.
- 8 **STOP button**
Press this to stop playback. During script playback, press the button for 2 seconds or more to stop script playback.
- 9 **SKIP I◀◀ button**
Press this to search for the previous file in the currently set sorting order.
- 10 **SKIP ▶▶I button**
Press this to search for the next file in the currently set sorting order.
- 11 **OSD/TIME SET button**
Press this to turn the OSD (on-screen display) on and off. Use this button together with the STOP button to set the time.
- 12 **SELECT button**
Use this to change the current directory.
Use this button together with the STOP button to change the current drive.

(2) Rear panel

- 1 **PARALLEL REMOTE terminal**
This is the terminal for parallel control from an external device.
- 2 **SERIAL REMOTE terminal**
This is the terminal for serial control from an external device. Use a serial straight through cable for connection to a computer.
- 3 **RS232C/RS422A selector switch**
Use this switch to select the SERIAL REMOTE terminal's interface.
Set to the back for RS422A, to the front for RS232C.
- 4 **ETHERNET terminal**
This is a 10 Base-T/100 Base-TX LAN connector.
- 5 **DIGITAL AUDIO OUTPUT terminal**
This is an SPDIF digital audio output. Connect an amplifier, etc., allowing digital input.
- 6 **ANALOG AUDIO OUTPUT terminal (XLR)**
This is a balanced type analog audio output using an XLR type connector.
[Pin layout] 1: Ground (G)
 2: Hot (H)
 3: Cold (C)
- 7 **ANALOG AUDIO OUTPUT terminal (RCA)**
This is an analog audio output. Connect it to an amplifier or monitor speaker with an analog audio input using an RCA pin-plug cable.
- 8 **COMPOSITE VIDEO OUTPUT terminal (BNC)**
This is a composite video output. Connect it to a monitor display equipped with a composite video input using a 75 Ω/ohms BNC cable. The connected device must be terminated at 75 Ω/ohms.

9 COMPOSITE VIDEO OUTPUT terminal (RCA)

This is a composite video output. Connect it to a monitor display equipped with a composite video input using a 75 Ω /ohms RCA cable. The connected device must be terminated at 75 Ω /ohms.

10 S-VIDEO OUTPUT terminal

This is an S-Video output terminal. Connect it to a monitor display equipped with an S-Video terminal using an S-Video cable.

11 COMPONENT VIDEO OUTPUT terminal

This is a component video output. Connect it to a monitor display equipped with a component video input.

12 MASTER/SLAVE selector switch

Use this to select the set's operating mode, master or slave. The setting is detected when the power is turned on, so if it this switch is operated, turn the power off then back on.

13 VITC IN terminal

This is the VITC input terminal for operating the set in the slave mode. It is terminated at 75 Ω /ohms. The input signal level is 1Vp-p.

14 VITC OUT terminal

This is the VITC output terminal. The output is for synchronization with another device.

15 POWER switch

Set this to the ON side to turn the set's power on.

16 DC IN terminal

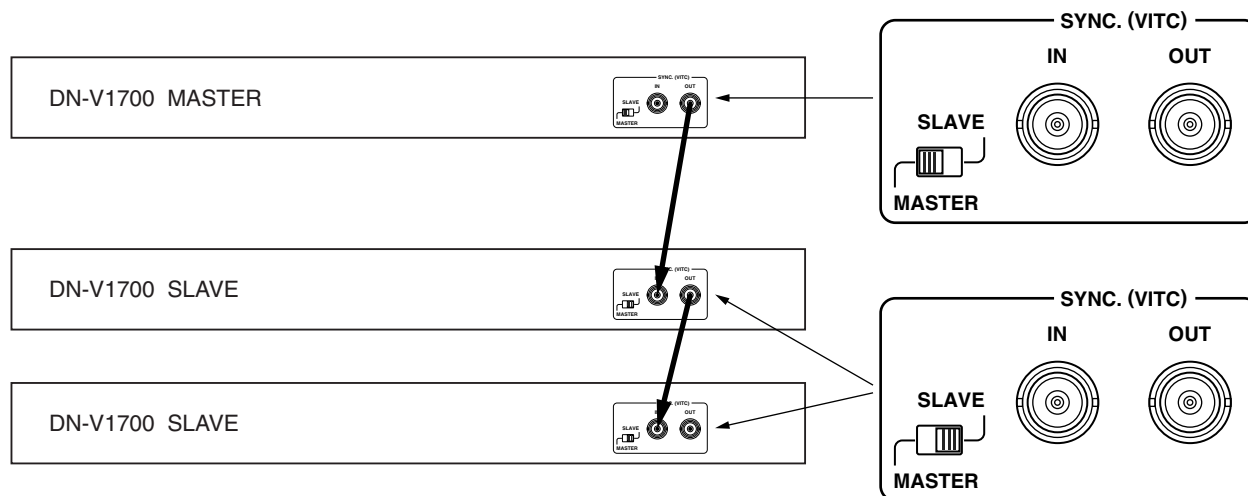
This is the power input terminal. Connect the included AC adaptor here.

7 SYNCHRONIZATION CONNECTIONS

The DN-V1700 allows synchronized playback in units of frames using external VITC time code signals. Synchronized playback is also possible using a slave generator function that generates time codes synchronized to video signals (vertical/horizontal synchronizing signals) not including VITC time code signals.

When and only when using the DN-V1700 as a slave device of another device equipped with the VITC signal generating function, set the MASTER/SLAVE selector switch on the rear panel to the SLAVE side. In all other cases (when not synchronizing the DN-V1700 with another device or when synchronizing another device using the DN-V1700's VITC signals), set the MASTER/SLAVE selector switch to the MASTER side.

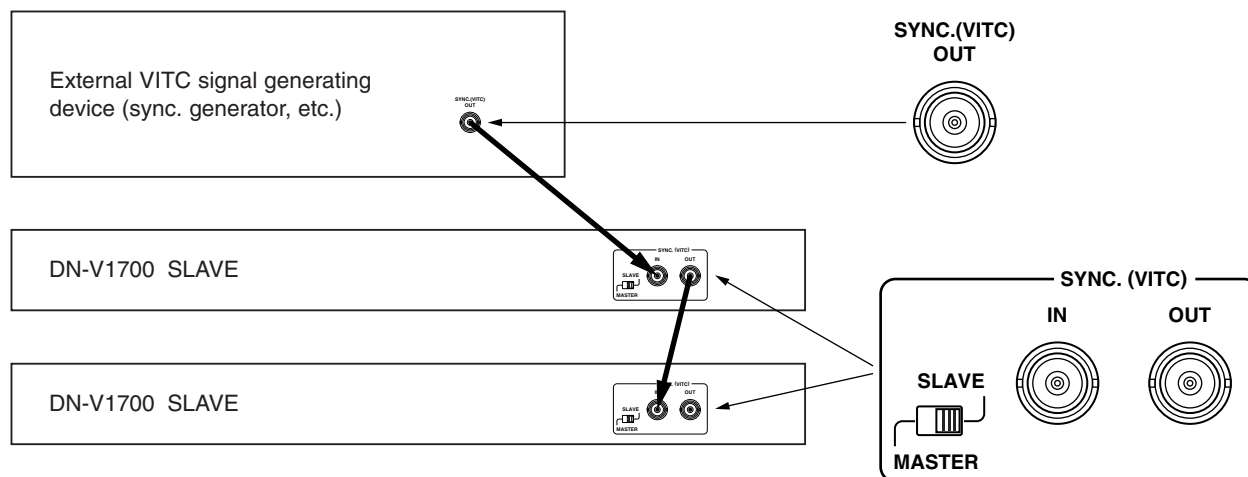
[Example of connections - 1] Synchronization connection of three DN-V1700s



In this example, the time code generated by the master unit synchronizes the two slave units. Set the master unit's selector switch to MASTER, the slave units' selector switches to SLAVE.

* When the flash ROM has been set to the slave generator mode by serial or LAN external control command, the slave generator mode must be cancelled.

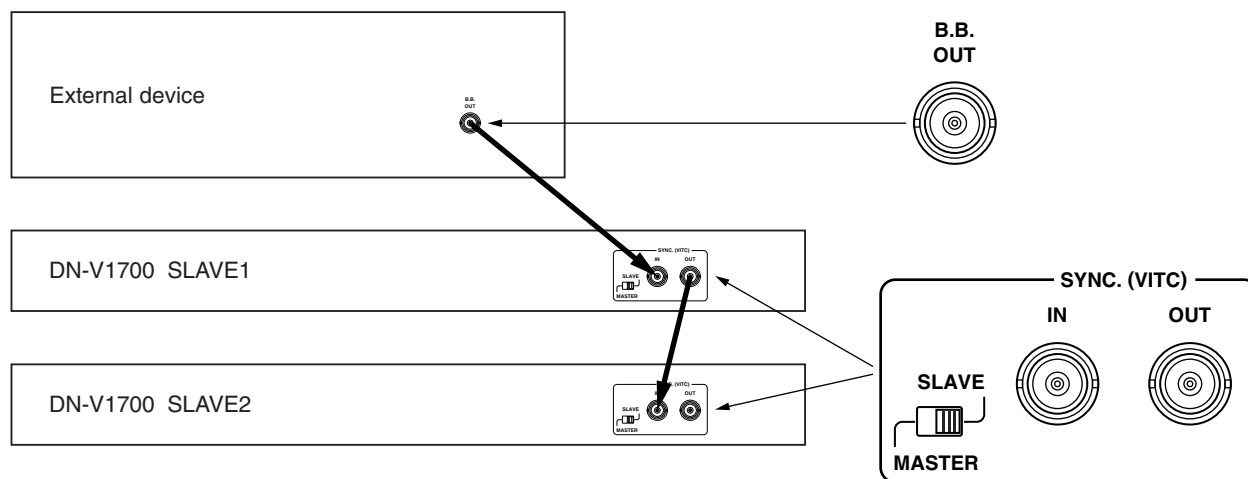
[Example of connections - 2] Using an external device as the master unit



In this example, a device with an external VITC output is used as the master unit to synchronize two slave units.

- * When the flash ROM has been set to the slave generator mode by serial or LAN external control command, the slave generator mode must be cancelled.

[Example of connections - 3] Synchronizing to the B.B. (black burst) signals of an external device not including VITC signals



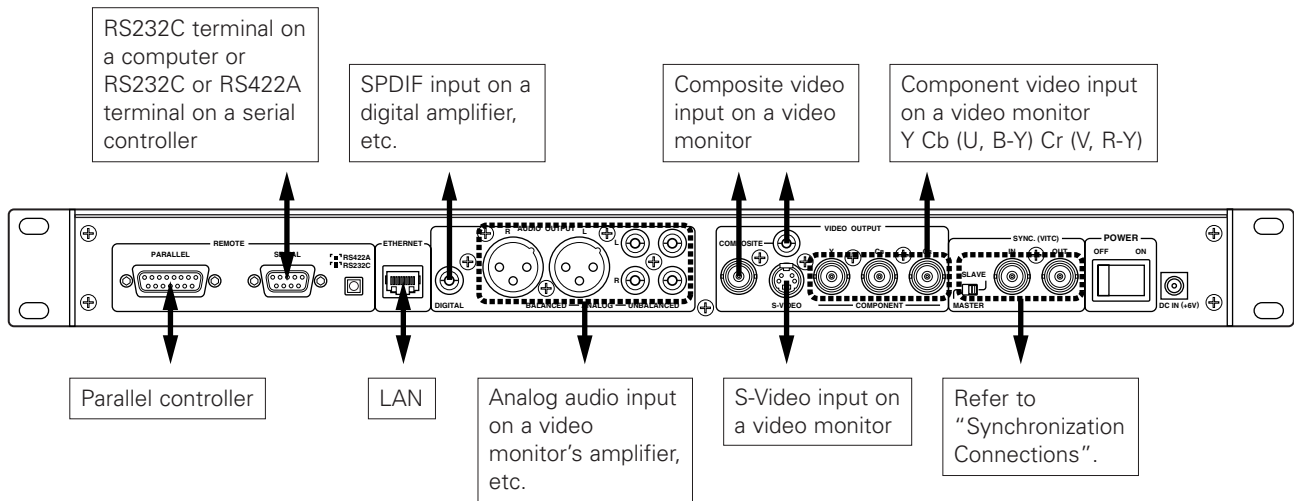
In this example, two slave units are synchronized with the B.B. (black burst) signals of an external device not including VITC signals. The first DN-V1700 generates VITC signals synchronized to the vertical/horizontal synchronizing signals included in the external devices' B.B. signals and emits the signals from the SYNC. (VITC) OUT terminal.

- * In this example, the flash ROM of DN-V1700 slave 1 must be set to the slave generator mode by serial or LAN external control command.

NOTES:

- The DN-V1700's time code signal is compatible with VITC (Vertical Interval Time Code) standards. It is not compatible with LTC (Longitudinal Time Code) standards.
- When connecting the DN-V1700 for synchronization as the master device, the maximum number of units that can be connected as slave units is 4.
- When multiple units are connected for synchronization, if the power of one of the slave units in the middle of the chain is turned off, synchronized playback is not possible on subsequent slave units either.
- When using the external device's composite video signals instead of the B.B. signals, synchronization may be disturbed due to the large DC fluctuation element in the video signal.

8 CONNECTIONS TO EXTERNAL DEVICES



1. Connect the PARALLEL REMOTE terminal to conduct parallel control.
2. Connect the SERIAL REMOTE terminal to conduct external serial control.
 - *1) Use a serial straight-through cable for connection with a computer.
 - *2) This terminal is for both RS232C and RS422A. Be sure to set the RS232C/RS422A selector switch to the proper position.
3. Connect the ETHERNET terminal to conduct 10 Base-T/100 Base-TX LAN control.
4. Connect the DIGITAL AUDIO OUTPUT terminal to use the digital audio output.
5. Connect the ANALOG AUDIO OUTPUT terminals to use the analog audio output.
 - *1) There are three sets of analog audio outputs that output the same audio signals: two sets of RCA outputs and one set of XLR outputs.
6. Use the COMPOSITE VIDEO OUTPUT terminal to connect the DN-V1700 to the composite video input of an video monitor (TV, etc.).
 - *1) To connect to a device other than a video monitor, the connected device must be terminated at 75 Ω /ohms.
 - *2) The BNC and RCA terminals output the same composite video signal.
7. Use the S-VIDEO OUTPUT terminal to connect the DN-V1700 to a video monitor (TV, etc.) with an S-Video input. The brightness signal (Y) and color difference signal (C) are output separately, resulting in a more defined image than with the composite video signal.
8. Use the COMPONENT VIDEO OUTPUT terminal to connect the DN-V1700 to a video monitor (TV, etc.) with a component video input. The brightness signal (Y) and color difference signals (C) are divided and the different color difference signals are output separately, resulting in a more defined image than with the composite S-Video signal.

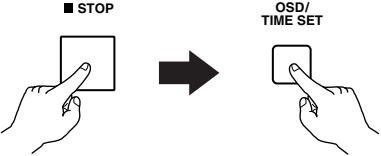
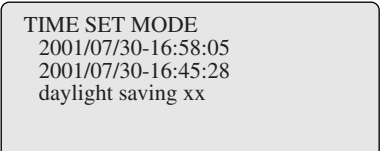
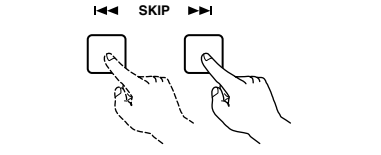
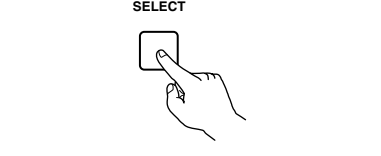

9 SETTING THE INTERNAL CLOCK

The DN-V1700 is equipped with an internal clock. Set the clock before using the DN-V1700.

The clock can be set either by using the controls on the DN-V1700 or by serial port control. For instructions on serial port control, see the "14 Serial Remote Control Terminal" section.

■ Setting the date and time using the controls on the DN-V1700

Connect the DN-V1700's video output to an external monitor and turn on the power.

1		<p>In the stop mode, press the OSD/TIME SET button while pressing the STOP button.</p> <p>* When the key lock mode is set, cancel the mode using the "KL" serial command.</p>
2		<p>The following appears on the external monitor:</p> <p>"TIME SET MODE"</p> <p>"yyyy/mm/dd-hh:mm:ss" (current date/time)</p> <p>"yyyy/mm/dd-hh:mm:ss" (set date/time)</p> <p>"daylight saving ***" (see note below)</p> <p>"yyyy" flashes.</p>
3		<p>Use the SKIP button to set the year (A.D.).</p>
4		<p>Press the SELECT button to move to the months' place.</p>
5		<p>Repeat steps 3 and 4 to set the date and time.</p>
6		<p>Once the setting is completed, press the OSD/TIME SET button. "TIME SET OK" is displayed and the setting is completed.</p> <p>* Press the STOP button to cancel the setting.</p>

■ Quick set:

Press the PLAY/PAUSE button after step 1 above to reset the seconds to 0.

■ Daylight savings time:

The DN-V1700's current daylight savings time setting is indicated at "daylight saving **" in step 2 above. To change the setting, press the SELECT button to make the "daylight saving" line flash, then press the PLAY/PAUSE button. The clock is moved ahead one hour when the setting is switched from "No" to "Yes", back one hour when the setting is switched from "Yes" to "No".

■ Automatic setting by SNTP:

When the date and time is set by SNTP server when connected to a network, "auto set by SNTP" is displayed at step 2 above. Use the SELECT button to make "auto set by SNTP" flash, then press the PLAY/PAUSE button. The time can now be set by SNTP.

NOTE:

When the above setting is made, we recommend repeating the operation in step 1 to check the current time.

A super capacitor is used to keep the DN-V1700's internal clock running even when the power is turned off. The clock keeps running for about 7 days after the power is turned off (as long as the power was on for at least one hour beforehand). If the clock stops running, the date and time are reset to "2000/1/1 00:00:00".

10 MAIN UNIT LED INDICATORS

The main unit's LEDs indicate the following:

LED	Meaning				
	In stop mode	In play mode (not including script playback)	During script playback	In pause/playback standby mode	When there is an error
PLAY/PAUSE	Off	Lit	Lit or flashing (fast or slow)	Flashing slow	Flashing slow
STOP	Lit	Off	Off	Off	
POWER	Indicates the set's power mode. Lit when power is turned on.				
ACCESS PCC	Indicates PC card slot (drive) access. Lights or flashes when the PC card slot (drive) is being accessed.				Flashes when there is a drive error.
ACCESS HDD	Indicates HDD access. Lights or flashes when the HDD is being accessed.				

11 CURRENT

■ Current

Current refers to the current position for the drive, directory or file.

1. Current drive
This refers to the drive currently being controlled.
2. Current directory
This refers to the directory currently being controlled.
3. Current file
This refers to the contents file currently being controlled.

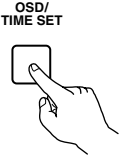
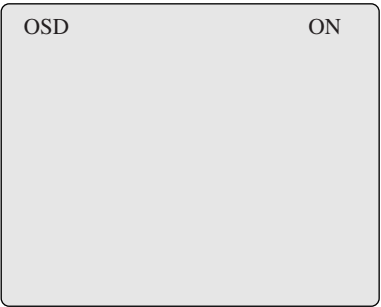
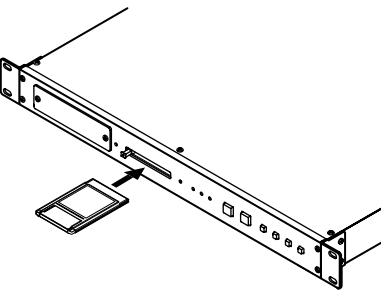
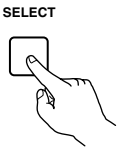
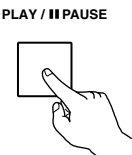
12 PLAYBACK USING THE MAIN UNIT CONTROLS

The following describes how to set playback manually using the controls on the DN-V1700.

Before doing this, prepare a recorded medium on which contents are recorded as described in the section "4 Playback Medium Contents".

■ Playing

Connect the DN-V1700's video output to an external monitor and turn on the power.

1	 <p>OSD/ TIME SET</p>	<p>In the stop mode, press the OSD/TIME SET button.</p>
2	 <p>OSD ON</p>	<p>"OSD ON" appears on the external monitor.</p>
3		<p>Insert the recorded medium in the slot (drive). The ACCESS lamp turns on. Wait until it turns off.</p>
4	 <p>SELECT</p>	<p>Press the SELECT button. The display switches in the following order: "VIDEO", "AUDIO", "PICTURE", "SCRIPT". Display the directory containing the file you want to play.</p>
5	 <p>▶PLAY / PAUSE</p>	<p>Press the PLAY/PAUSE button. Playback starts. * If there is no file to be played, "!" appears and the set remains in the stop mode.</p>

* Playback can be started without pressing the OSD/TIME SET button, but in this case the directory display in step 4 is not displayed, so count the number of times you press the SELECT button so you know which directory is selected.

With the DN-V1700, the play mode can be set by serial control, in which case the playback operation is as described below. When a serial control command is executed during playback, repeated play or continuous play is ended.

	Sorting order	Single mode	Repeat mode	
1	Ascending	OFF	OFF	The files in the directory are played in ascending file name order. * Default setting
2			ON	The files in the directory are played repeatedly in ascending file name order.
3		ON	OFF	Only one file is played.
4			ON	One file is played repeatedly.
5	Descending	OFF	OFF	The files in the directory are played in descending file name order.
6			ON	The files in the directory are played repeatedly in descending file name order.
7		ON	OFF	Only one file is played.
8			ON	One file is played repeatedly.

■ Stopping playback

To stop playback, press the STOP button.

When playback has been stopped, the file that was playing at that point is set as the current file.

For images, the still mode is set at the point at which the image was stopped.

■ Playing the next file

- In the stop mode

Press the SKIP ►►► button, then press the PLAY/PAUSE button.

- In the play mode

Press the SKIP ►►► button. The next file is played.

■ To play the current file from the beginning or to play a previous file

- In the stop mode

Press the SKIP ◀◀◀ button, then press the PLAY/PAUSE button.

- In the play mode

Within 1 second from the beginning of the current file, press the SKIP ◀◀◀ button. The previous file is played. If the SKIP ◀◀◀ button is pressed more than 1 second into the current file, the current file is played over from the beginning.

13 INTERNAL HARD DISK DRIVE

■ Introduction

The DN-V1700 is equipped with a 2.5-inch sized hard disk drive.

The specifications of the hard disk drive are shown below.

Item	Specification
Type	2.5-inch hard disk drive
Height	9.5 mm
Power consumption	Max. 1 A (5 V)
Interface	44-pin ATA
Format	MS-DOS FAT 32, cluster size of 32 kB. * For partition types, the DN-V1700 is only compatible with the "primary partition", not with the "extended partition".
Installation position	Conforming to SFF-8201

*1 The hard disk drive is a rotating device, and as such must be replaced periodically.

(The replacement period depends greatly on usage frequency. In general the drive should be replaced anywhere between every 6 months and every 2 years.)

*2 The DN-V1700's surrounding temperature must be between 5 and 35°C for the hard disk drive to operate normally. Be particularly careful not to place the set near a device that generates much heat, causing the surrounding temperature to rise above 35°C.

■ Operation

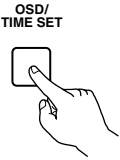
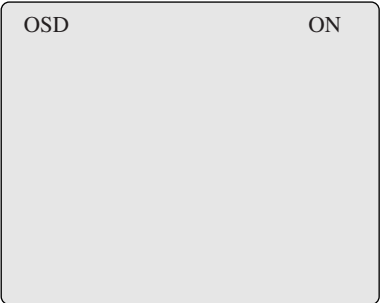
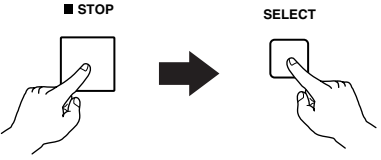
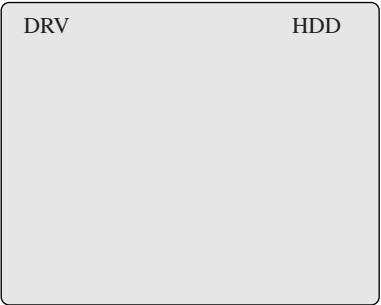
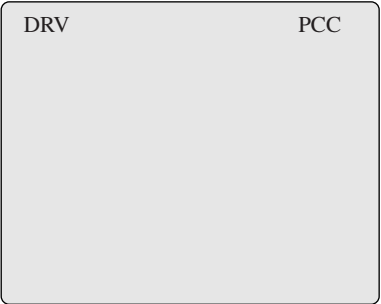
The DN-V1700 includes two drives, the hard disk drive and the PC card slot (drive). Operation with this two-drive structure is described below.

The video/audio format of files to be played and the directory (folder) and file structure are the same as for IC memory cards. For details, set "4 Playback Medium Contents".

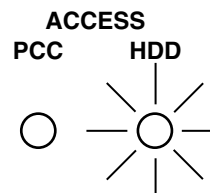
■ Changing the drive

The procedure for switching the drives manually using the main unit controls is described below.

* When the key lock mode is set, cancel the mode using the "KL" serial command.

<p>1</p>		<p>In the stop mode, press the OSD/TIME SET button.</p>
<p>2</p>		<p>"OSD ON" appears on the external monitor. * When the on-screen display is already on, it turns off, so press the OSD/TIME SET button again.</p>
<p>3</p>		<p>Press the SELECT button while pressing the STOP button.</p>
<p>4</p>		<p>If the current drive is set to "PCC" (PC card slot (drive)), move the current drive to "HDD". The display switches to "HDD".</p>
<p>5</p>		<p>If the current drive is set to "HDD" (hard disk drive), move the current drive to "PCC". The display switches to "PCC".</p>
<p>6</p>		<p>Select the desired drive at step 4 or 5.</p>

- Hard disk drive access lamp
The access lamp when a hard disk drive is added is "ACCESS HDD".



- The following shows the order of priority when the power is turned on.

When power turned on		Current drive
PCC (PC card slot (drive))	HDD (hard disk drive)	
None	Installed	Hard disk drive
Loaded	Installed	PC card slot (drive) *1

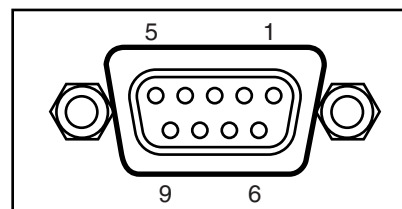
*1) The current drive does not switch automatically to the HDD when the PC card is ejected.

14 SERIAL REMOTE CONTROL TERMINAL

The serial remote control terminal on the DN-V1700's rear panel can be used to connect the terminal software of a computer, etc., allowing a wide variety of control possibilities through serial remote control. The terminal is compatible with both RS232C and RS422A standards, selected with the selector switch on the rear panel.

Hardware specifications

Standards	Conforming to RS232C and RS422A
Connector type	D-sub female 9 pins
Data length	8 bits
Baud rate	9,600 bps
Flow control	None
Synchronization	Asynchronous synchronization
Stop bit	1 bit
Parity	None



Pin no.	RS232C (selector switch popped out)		RS422A (selector switch pressed in)	
	Signal name	Input/output	Signal name	Input/output
1	-	-	-	-
2	TXD	Output	TXD (RETURN)	Output
3	RXD	Input	RXD	Input
4	-	-	-	-
5	GND	-	-	-
6	-	-	GND	-
7	-	-	TXD	Output
8	-	-	RXD (RETURN)	Input
9	-	-	-	-

NOTES:

- Use a serial straight through cable for connection to a computer.
- Be sure to turn the power of both the DN-V1700 and the control device off when connecting the serial cable and switching between RS232C and RS422A. Failure to do so could damage the DN-V1700 or the control device.
Be sure to switch to the proper RS232C or RS422A setting for the communications hardware specifications of the control device.
- Signals other than TXD and RXD (DTR signals, for example) cannot be used on the DN-V1700. If reception control of such signals is being performed on the control device, take the necessary software or hardware measures on the control device.

Software specifications

* These operating instructions only include a general description of the serial remote commands. For details of the individual commands, consult your store of purchase.

■ Basic procedure for transmitting and receiving commands

Basic protocol of this interface: The device with which serial communications are possible (referred to as "the controller" below) issues commands and the DN-V1700 returns messages indicating that the commands have been executed.

When using a computer, serial communications are possible using Hyper Terminal included as standard with Window™ 95 and later.

■ Command format

ASCII character codes are used for actual commands and messages. Commands are expressed with two characters. There is no distinction between capital and small letters, but the two must not be combined.

The <CR><LF> code (0DH,0AH) is affixed to the end of commands. The DN-V1700 recognizes that the command is complete through this code.

Some commands may include parameters (arguments), but as commands also serve to terminate parameters, be sure to place parameters before the command and do not include spaces, etc. The maximum length of commands including arguments is 49 characters.

[Example] 20SE<CR><LF> : Search for 20th clip

In this case, 20 is the parameter, SE is the command.

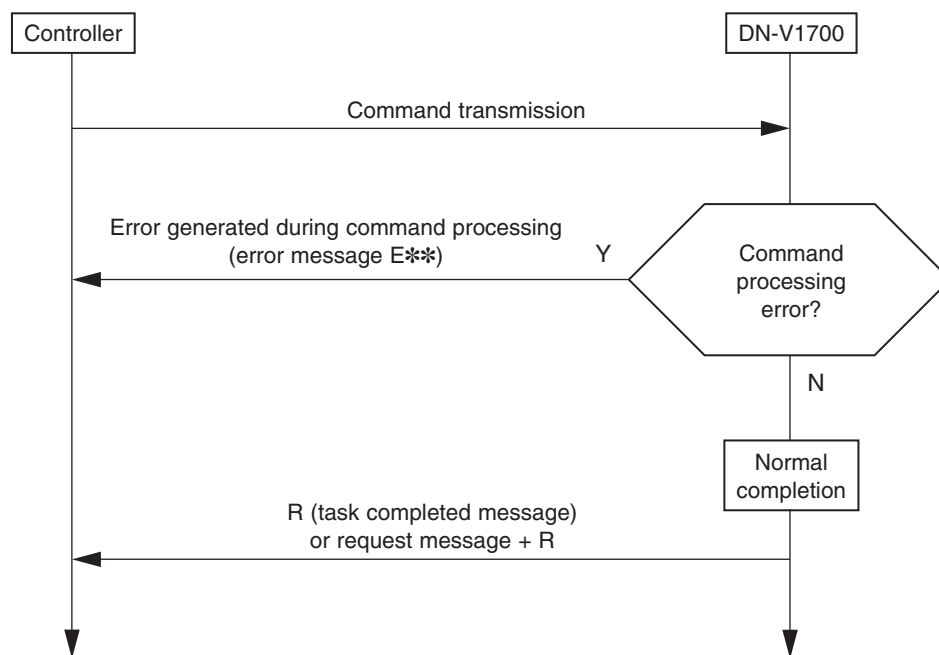
■ Command transmission and reply message

When the DN-V1700 receives a command and completes the instructed task or when an error occurs, the DN-V1700 returns a reply message to the controller. There are three types of reply messages:

- Task completed message "R" indicating that the task has been completed normally
- "R" indicating a status message in reply to a status request command + terminator
- Error message "E**" indicating that an error has occurred.

A 2-digit number following the "E" in the error message indicates the error type.

* The message "OK" is returned after the power is turned on or the system is rebooted.



Send one command at a time.

[Example] To search for the 10th clip and play it
 10SE<CR><LF> → Send
 R<CR><LF> ← Task completed message
 PL<CR><LF> → Send
 R<CR><LF> ← Task completed message

■ Task completed message

This is the message returned to the controller when the task for the operation command (play, etc.) or setting command received from the controller has been completed normally.

R<CR><LF>

■ Status message

A status message including information on the DN-V1700's status, etc., can be received by sending a status request command asking to know the status, etc., of the DN-V1700 from the controller. "R" returns as the terminator at the end of the message. The format is specific to each command.

■ Message upon startup

If the system is rebooted or the power is turned on from the off status with serial connections made, the message "OK<CR><LF>" is sent from the DN-V1700.

■ Error messages

If for any reason the task was not completed normally after a command was received from the controller, the DN-V1700 sends the controller an error message, and the LEDs of the PLAY/PAUSE and STOP buttons on the front of the DN-V1700 flash. The message consists of an "E" followed by a 2-digit error number.

If you want detailed information on the error after an error command is sent, error confirmation using the "?E" serial command is possible. Detailed information on the latest error can be acquired. Performing this confirmation stops the keys on the DN-V1700 from flashing, setting the display back to normal. The keys on the DN-V1700 also stop flashing if error message confirmation is performed with the on-screen display (OSD) first.

Error code	Name	Description
E00	Back up memory error	The default values in the flash ROM were loaded because the battery backup memory settings were lost upon startup.
E04	Feature not available	An attempt has been made to execute a function that is not available. The command's instruction section is not correct. Cannot be used in the current mode. Argument setting is not within prescribed range.
E06	Missing argument	Necessary argument has not been specified. Argument value is not appropriate.
E99	Panic	Irrecoverable error has occurred. Drive cannot be accessed. Playback could not be continued and has stopped.

■ Command reference

- Commands are combinations of two ASCII code characters.
- Arguments are only valid when placed in front of the command and when they consist of numerals or of character strings enclosed in quotation marks ("").
- "n" on the list of commands refers to numerals, "s" to character strings.
- Commands may consist of either capital or small letters, but a single command must not contain both capital and small letters.
- "a" through "e" on the right of the table below refer to the conditions described below. The "○" mark indicates that issuing of the command is possible.
 - a) Issuing in the stop mode
 - b) Issuing during file playback
 - c) Issuing in the still and pause modes
 - d) Issuing during script playback
 - e) Issuing as FTP "SITE" command

• List of status confirmation commands

(a: Issuing in stop mode, b: Issuing during file playback, c: Issuing in still and pause modes, d: Issuing during script playback, e: Issuing as FTP "SITE" command)

	Command name	Command	Function	a	b	c	d	e
1	Drive presence confirmation	?D	Confirmation of presence of drive	○	○	○	○	○
2	Free drive space confirmation	?A	Confirmation of free space on current drive	○	○	○	○	○
3	Current directory file confirmation	n?L	Confirmation of current directory file	○	○	○	○	○
4	Current status confirmation	?P	Confirmation of playback status	○	○	○	○	○
5	Play mode confirmation	?I	Confirmation of play mode	○	○	○	○	○
6	Firmware version confirmation	?V	Confirmation of firmware version	○	○	○	○	○
7	Time code confirmation	?T	Confirmation of current time code	○	○	○	○	○
8	Real time clock confirmation	?C	Confirmation of current real time clock	○	○	○	○	○
9	Network setting confirmation	?N	Confirmation of network settings	○	○	○	○	○
10	Error message confirmation	?E	Error message confirmation	○	○	○	○	○
11	Time difference setting confirmation	?R	Confirmation of time difference and daylight savings setting	○	○	○	○	○

• List of operation commands

(a: Issuing in stop mode, b: Issuing during file playback, c: Issuing in still and pause modes, d: Issuing during script playback, e: Issuing as FTP "SITE" command)

	Command name	Command	Function	a	b	c	d	e
12	Play	PL	Play current clip	○	○	○		○
13	Play specific file	"s" PF	Play specific clip	○	○	○		○
14	Prepare to play specific file	"s" PS	Prepare to play clip	○	○	○		○
15	Pause	PA	Pause (screen display off)		○			○
16	Still	ST	Still (screen display on)		○			○
17	Stop	RJ	Stop playback	○	○	○	○	○
18	Clip search	nSE	Search current clip (move)	○	○	○		○
19	Audio output	nAD	Turn audio output on and off	○	○	○		○
20	Video output	nVD	Turn video output on and off	○	○	○		○
21	On-screen display (OSD) display control	nDS	Turn on-screen display character display on and off	○	○	○		○
22	User OSD display clear	"s" CS	Clear user OSD display	○	○	○		○
23	Set user OSD display properties	"s" AT	Specify user OSD display properties	○	○	○		○
24	User OSD character write	"s" PR	Write characters on user OSD	○	○	○		○
25	Parallel port output control	nPO	Parallel port output control	○	○	○		○
26	Current drive change	nDR	Change current drive	○				○
27	Current directory change	nCD	Change current directory	○				○

- **List of file operation commands**

(a: Issuing in stop mode, b: Issuing during file playback, c: Issuing in still and pause modes, d: Issuing during script playback, e: Issuing as FTP "SITE" command)

	Command name	Command	Function	a	b	c	d	e
28	File copy	"s" CP	Copy files between drives	○				○
29	File delete	"s" DL	Delete file	○				○
30	Format drive	nFM	Format drive	○				

- **List of setting commands**

(a: Issuing in stop mode, b: Issuing during file playback, c: Issuing in still and pause modes, d: Issuing during script playback, e: Issuing as FTP "SITE" command)

	Command name	Command	Function	a	b	c	d	e
31	Sorting order setting	nFS	Set file sorting order	○				○
32	Time code setting in slave mode	nTM	Time code setting in slave mode	○				○
33	IP address setting	"s" IP	IP address setting	○				
34	Gateway address setting	"s" GW	Gateway address setting	○				
35	Subnet mask setting	"s" NM	Subnet mask setting	○				
36	Startup screen display setting	nBS	Turn startup screen display on and off	○				
37	VITC time setting	"s" TC	VITC time setting	○	○	○		○
38	Key lock	nKL	Turn key lock function on and off	○	○	○		○
39	Real time clock setting	"s" RC	Real time clock setting	○	○	○		○
40	Single mode setting	nSG	Turn single mode on and off	○	○	○		○
41	Repeat mode setting	nRP	Turn repeat mode on and off	○	○	○		○
42	Flash ROM update	2FU	Update flash ROM	○				○
43	FTP "SITE" command lock	nLL	FTP "SITE" command lock	○	○	○		
44	FTP log-in ID setting	"s" ID	FTP log-in ID setting	○				
45	FTP log-in password setting	"s" PW	FTP log-in password setting	○				
46	SNTP server setting	"s" NS	SNTP server address setting	○				○
47	SNTP time setting	NT	Setting of time by SNTP server	○				
48	Reboot	nRB	Restart system	○				○
49	Still display setting	nFI	Still display setting (frame/field)	○	○			○
50	Time difference setting	"s" GT	Time difference and daylight savings setting	○				○

NOTE:

Never turn the power off while the flash ROM update "2FU" is being executed. The "2FU" command rewrites the internal program memory. Turning the power off while this is being executed may damage the set.

- **List of script debug commands**

(a: Issuing in stop mode, b: Issuing during file playback, c: Issuing in still and pause modes, d: Issuing during script playback, e: Issuing as FTP "SITE" command)

	Command name	Command	Function	a	b	c	d	e
51	Debug mode setting	"s" DM	Debug mode setting	○				○
52	Execute one line of script	nSJ	Execute one line of script	○				○
53	Execute script from specific line on	nLG	Execute script from specific line on	○				○

- **List of other commands**

(a: Issuing in stop mode, b: Issuing during file playback, c: Issuing in still and pause modes, d: Issuing during script playback, e: Issuing as FTP "SITE" command)

	Command name	Command	Function	a	b	c	d	e
54	Player status confirmation	?S	Player status confirmation	○	○	○	○	○
55	Drive test	nTE	Check of playback medium speed	○				
56	HDD suspend setting	nHS	HDD suspend setting	○				
57	Network communications mode setting	nHD	Switch between full duplex and half duplex	○				
58	Log output	nLW	Output log to file	○				○

NOTE:

When accessing an FTP server with LAN connections, be sure to disconnect from the FTP server before executing the "FU" and "RB" serial commands. When these commands are executed, the connection is terminated forcibly, so the LAN controller does not recognize that the FTP server connection has been terminated, possibly resulting in a control error.

15 PARALLEL REMOTE CONTROL TERMINAL

An external controller can be connected to the DN-V1700 for parallel remote control.

- Specifications

Connector type: D-sub female 15 pins

Pin layout

Pin no. *1	Name	Input/Output	Logic	Level *2	Description of pin		
					Modes other than script mode		Script mode
					Normal	Shift	
①	search 1/6	Input	Negative	TTL	Selects 1st file in sorting order	Selects 6th file in sorting order	KEY 1
②	search 2/7	Input	Negative	TTL	Selects 2nd file in sorting order	Selects 7th file in sorting order	KEY 2
③	search 3/8	Input	Negative	TTL	Selects 3rd file in sorting order	Selects 8th file in sorting order	KEY 3
④	search 4/9	Input	Negative	TTL	Selects 4th file in sorting order	Selects 9th file in sorting order	KEY 4
⑤	search 5/10	Input	Negative	TTL	Selects 5th file in sorting order	Selects 10th file in sorting order	KEY 5
⑥	select	Input	Negative	TTL	Switches current directory	Switches current directory	KEY 6
7	shift	Input	Negative	TTL	Press while operating keys ① to ⑥, ⑪ and ⑫ to switch their function.		
8	play	Input	Negative	TTL	Starts playback of the current file		
9	GND	Power supply	-	-			
10	stop	Input	Negative	TTL	Stops file playback		*3
⑪	▶▶/repeat	Input	Negative	TTL	Skips in the sorting order	Turns the repeat mode on and off	KEY 7
⑫	◀◀/single	Input	Negative	TTL	Skips in the reverse order	Turns the single mode on and off	KEY 8
13	AUX1	Output	Negative	TTL *4	Programmable output 1		
14	AUX2	Output	Negative	TTL *4	Programmable output 2		
15	+5V	Power supply	-	-	Outputs +5V for driving an external device (NOTE 1)		

*1) Circled numbers: The function of the key changes when the key is pressed while pressing the shift button.

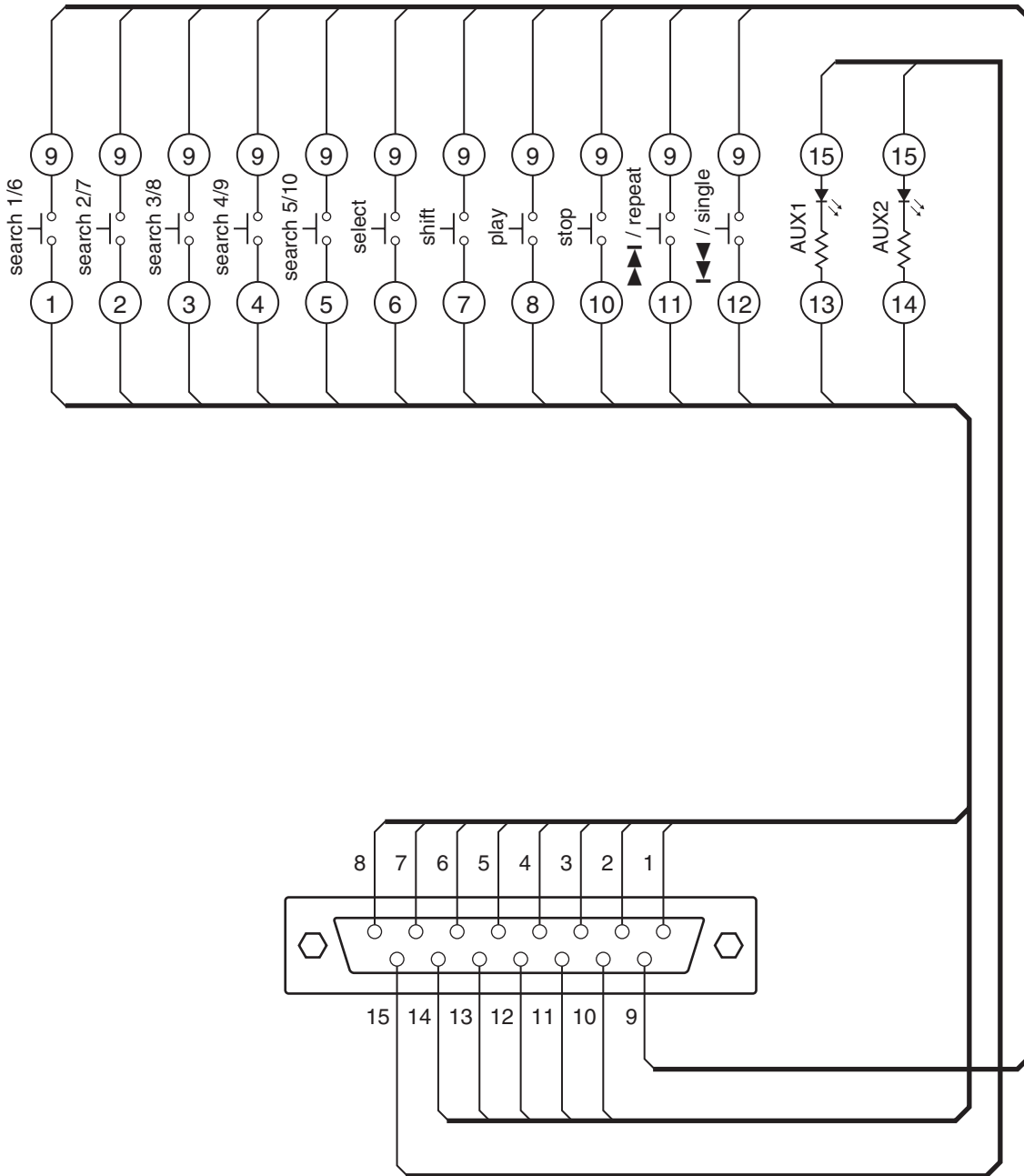
*2) TTL level (pull-up resistor included)

*3) Press and hold in the stop button (for at least 2 seconds) to stop script playback.

*4) Maximum output current at low level: 64 mA.

(NOTE 1): Make sure the power consumption of the external device supplied by this pin is 200 mA or less.

■ Parallel remote wiring diagram



16 PLAYING SCRIPT FILES

With the DN-V1700, programs can be played at will using files that include unique script commands.

- * These operating instructions only include a general description of the script commands.
For details of the individual commands, consult your store of purchase.

■ Script file names

Script file names have the following format: File name with a maximum of 8 ASCII code characters + ".DSC".
Files are stored in the "SCRIPT" directory.

■ Executing script files

Programmed playback using script files is performed by playing the desired script file in the "SCRIPT" directory.

■ Operation of the DN-V1700 while playing script files

The commands included in the script file are executed in order. Execution of the following command begins once execution of the previous command is completed. When a file is playing, the next command is only executed after playback of the file finishes. If interrupt commands have been specified, execution shifts to the specified label according to the specified conditions, and the command in the next line in the label is executed immediately. When interruption under the same conditions is declared on multiple channels, the setting for the channel with the lowest number is effective.

If "@" is added before a command, that command is executed even if a file is playing, after which the next command is executed immediately, without waiting for file playback to finish. (Refer to the list of script commands for the commands for which "@" is usable.)

■ Automatic script execution

If there is a file with the name "ply00000.dsc" in the SCRIPT directory, the script is executed automatically when the device is started. (The script is not executed if the STOP button is held in while the device is starting.)

■ Stopping script playback

Script playback can be stopped while a script is playing using the operations below, except when the "on break goto" command is set:

- By pressing and holding the STOP button on the front panel for at least 2 seconds
- By pressing and holding the parallel remote controller's STOP button for at least 2 seconds
- With the "RJ" serial remote command
- With the "RJ" FTP "SITE" command

During script playback, no operations other than the above stop operations and status confirmation by serial remote or "SITE" command are effective.

■ Script file format

- TEXT file
- The terminator of each command must be the return command of regular MS DOS files (0x0D0A).
- Commands must be written either all in capital letters or all in small letters. An error will occur if a command contains both capital and small letters. Parameters and comments, however, may include both capital and small letters.
- Comments may start from any position, as long as they start before the 79th character in a line.
- The maximum number of characters per line is 78 (not including return) for lines that do not include comments, 250 for lines including comments. Even when the comment starts after the command, the ";" mark indicating the beginning of the comment must be placed within the first 78 characters.
- The maximum number of lines per file (the total for command lines and label lines) is 250 (not including lines consisting only of comments).
- The maximum file size, including comments, is 16 kilobytes (16,384 bytes).
- When a parameter follows a command, separate it with a space.
- When there are multiple parameters, separate them with commas.
- When omitting parameters that can be omitted, the comma separating parameters cannot be omitted. When omitting the very last parameter, however, the comma preceding that parameter may be omitted.

■ Label format

- Label lines may consist of any character strings of up to 8 characters beginning with a sharp (“#”) (maximum 9 characters including the “#”).
- The sharp is omitted when specified as such parameters as “GOTO”, “ONKEYGO”, or “ONBREAK”.
- The characters that can be used in label names are capital letters “A to Z”, small letters “a to z” and numbers “0 to 9”.

■ Parallel remote terminal

During script playback, parallel remote terminal pins 1 to 6, 11 and 12 function as keys 1 to 8, and can be used with the script command “ONKEYGO”, for example.

■ List of script commands
 (“n” refers to an integer)

	Command	@	Format	Description
1	comment		;	Comment
2	play		PLAY	Playback of 1 or 2 files. The script does not move to the next step unless the file is played to the file end
3	play standby		PLAYRDY	Preparation for file playback
4	play start		PLAYGO	Start playback of file for which the play standby mode is set from the specified TC
5	end		END	End/change script file execution
6	pause		PAUSE	Set pause mode (screen blacked out)
7	still		STILL	Set pause mode (still picture displayed on screen)
8	stop		STOP	Stop playback (still picture displayed on screen)
9	audio control	@	AUDIO	Switch audio output on and off
10	video control	@	VIDEO	Switch video output on and off
11	goto		GOTO	Forced change of command sequence
12	vitc set	@	SETTC	Set SMPTE time code
13	wait		WAIT	Wait specified number of seconds or until specified time code
14	on key goto	@	ONKEYGO	Set a forced change of command sequence at the time of key input
15	on SMPTE-tc goto	@	ONSMPTCGO	SMPTE timer interruption
16	if day of week goto	@	IFDWKGO	Change command sequence according to day of week
17	on rtc goto	@	ONRTC GO	Real time timer interruption
18	on break goto	@	ONBREAK	Specify new processing position when an execution break command is received
19	osd display	@	OSDDISP	Switch user OSD display on and off
20	osd print	@	OSDPRT	Write 1 line of user OSD
21	osd attribute	@	OSDATT	Set user OSD attribute
22	osd clear	@	OSDCLR	Clear line(s) of user OSD
23	tc interrupt control	@	TCINT	Disable/enable time code interruption
24	rtc interrupt control	@	RTCINT	Disable/enable RTC interruption
25	com-port set	@	COMSET	Serial port communications mode setting
26	com-port put	@	COMPUT	Output 1 line from serial port
27	parallel out set	@	OUTPORT	Parallel remote output terminal setting
28	drive change		DRV	Change current drive
29	site command enable	@	SITECMD	Enable acceptance of site command
30	SNTP time calibration		TIMECAL	Time calibration by SNTP server
31	still mode set	@	STLMODE	Set screen display in still mode
32	variable set	@	SET	Set loop counter value
33	loop		LOOP	Loop according to loop counter and label
34	write log file		WRITELOG	Output log to file

* “@” in the “@” column indicates commands for which “@” can be used.

17 NETWORK INTERFACE

The DN-V1700 is equipped with 10BASE-T and 100BASE-TX interface for connection to networks.

An FTP server is mounted for file transfer. Access is possible using the FTP client (DOS prompt) function included as standard with Windows™ 95 and later.

The same operation as serial remote is possible using the FTP "SITE" command.

- * These operating instructions only include a general description of network control.
For details, consult your store of purchase.

■ Specifications

Protocol: TCP/IP
 Mounted protocols: TCP, UDP, IP, ARP, and ICMP (in part)
 Connection: Automatic selection of 10BASE-T/100BASE-TX
 Connector type: RJ-45

■ Pin layout

Pin no.	Signal name	Name
1	TXD +	Transmission data (+)
2	TXD -	Transmission data (-)
3	RXD +	Reception data (+)
4	-	-
5	-	-
6	RXD -	Reception data (-)
7	-	-
8	-	-

■ Main unit settings

Network-related settings (IP address, subnet mask, etc.) are made using the serial interface commands. The default values for the different settings are shown below.

IP address	192.168.0.1
Gateway address	0.0.0.0
Subnet mask	255.255.255.0

■ FTP server

Settings related to the FTP server (ID, password, etc.) are made using the serial interface commands. The default values for the different settings are shown below.

	Default	Limitations
Log-in ID	user	4 to 10 letters and numbers. No distinction between capital and small letters.
Password	noned	

18 ON-SCREEN DISPLAY (OSD)

The DN-V1700's on-screen display function makes it possible to superimpose a character display on the picture.

There are three basic types of OSD displays, as follows:

- **Status display:** Displays the status with respect to operation of the main unit keys and operation from the parallel remote controller. The status with respect to serial remote and FTP "SITE" commands is not displayed.
- **Error display:** If an error occurs in the DN-V1700, the error message is displayed.
- **User OSD:** Users can write any character strings they want on the OSD. This is done using serial remote and FTP "SITE" commands as well as scripts.

When both the status display and user OSD are on, the status display has priority, so the user OSD is not displayed until the status display turns off.

■ Turning the display of the OSD on and off

When the power is turned on, the on-screen display (OSD) is initially set not to be displayed. Display of the OSD is turned on and off with the OSD/TIME SET button on the front panel or the "DS" serial command.

Basically, the status display is displayed with respect to operation of the keys on the front panel and operation over the parallel remote terminal, not for serial remote or LAN operations.

- **OSD display on/off control by serial remote command**
Display of the OSD is turned on and off using the "DS" serial remote command. Both the status OSD and user OSD can be controlled by serial remote command.

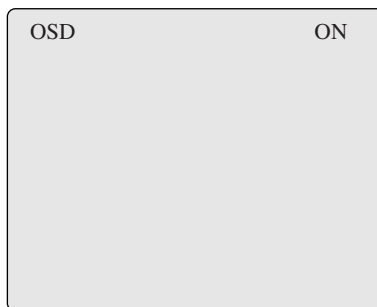
```
<Format> n1n2DS<CR><LF>
          (n1:0 = user OSD not displayed, 1 = displayed)
          (n2:0 = status not displayed, integer from 1 to 9 = number of seconds status is displayed, default value - 3 seconds)
<Reply>  R<CR><LF>
<Details> Turns the display of the status and user OSD on or off. When both are set to on, the user OSD is not displayed when the status display is on, but turns on once the status display turns off. (Error messages displayed with the OSD display function remain displayed until turned off by the user, regardless of this command.)
```

■ OSD display on/off control by script command

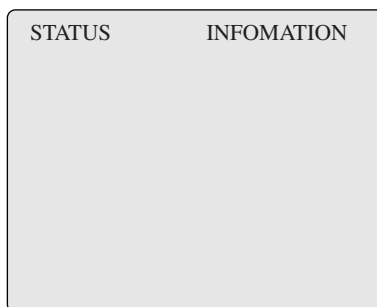
Display of the OSD is turned on and off using the "osd display" command. Only display of the user OSD can be controlled by script command. (The status OSD is not displayed during script execution.)

- <Function> Switch user OSD display on and off
- <Format> OSDDISP 0 ... OSD output off
OSDDISP 1 ... OSD output on
- <Details> Switches the display of the user OSD between on and off.

- OSD display on/off control using the OSD/TIME SET button on the main unit
 Only the display of the status display can be turned on and off using the front panel's OSD/TIME SET button.
 Display of the status display turns on and off each time the key is pressed. The display time is the value set with the "DS" serial command. The default value is 3 seconds.
 When turned on, "ON" is displayed on the screen.
 Nothing is displayed when the status OSD is switched to off.



- Status display
 The status display indicates the status with respect to operation of the main unit keys and operation from the parallel remote controller. The status display has priority over the user OSD display.
 The status of the play mode, etc., is displayed at the upper left, while the file name and other supplementary information is displayed at the upper right.
 The status is only displayed the number of seconds specified with the "DS" serial command, after which it turns off automatically.



Key (main unit, parallel remote)		Status display	Information display
PLAY/PAUSE	In play mode	PLAY	Name of playing file
	In pause mode	PAUSE	None
STOP		STOP	None
SELECT		DIR	Name of destination directory (VIDEO, AUDIO, PICTURE or SCRIPT)
STOP (SHIFT) + SELECT		DRV	Name of new drive (PCC or HDD)
FWD SKIP (▶▶▶)	In stop mode	SEARCH	Clip no. (1 to 999)
	In play mode	▶▶▶	No. of playing clip (1 to 999)
REV SKIP (◀◀◀)	In stop mode	SEARCH	Clip no. (1 to 999)
	In play mode	◀◀◀	No. of playing clip (1 to 999)
REPEAT (SHIFT + ▶▶▶)		REPEAT	ON/OFF
SINGLE (SHIFT + ◀◀◀)		SINGLE	ON/OFF
Invalid key operation			!

- OSD error display

If an error occurs in the DN-V1700, a description of the error is displayed on the OSD.

The error message displayed with this function is the same as that returned with the “?E” serial command.

- Display of error messages

If an error occurs, the PLAY/PAUSE and STOP buttons on the main unit flash at 1-second intervals, indicating that an error has occurred.

At this time the OSD/TIME SET button on the main unit can be used to turn the OSD on and off. When switched from off to on, the error message appears at the bottom of the screen.

If an error occurs when the system OSD display is turned off, the error message is displayed when the system OSD is turned on. If the error occurs when the system OSD display is turned on, the error message can be displayed by turning the system OSD off then back on.

When the error message is displayed, the keys on the front panel stop flashing and the display returns to normal.

If another error occurs while an error message is displayed, the new error is immediately displayed.

If an error message is displayed while the user OSD is displayed, the user OSD cannot be displayed again until the error message is cleared.

- Storing error messages

If a second error occurs after a first error has occurred but has not yet been displayed, the old message is cleared and the new message is stored.

In addition, if after an error occurs and before the error message is displayed on the OSD the error is confirmed with the “?E” serial command, the keys on the front panel stop flashing and the error message is cleared.

- User OSD display

Any character string can be displayed on the user OSD using the “AT”, “PR” and “CS” serial commands. The user OSD cannot be displayed at the same time as the status display. If both are turned on, the status display has priority.

Letters (capital or small), numbers and symbols can be used on the user OSD, which can contain a maximum of 14 rows each with a maximum of 44 characters (upper left coordinate: 0,0). For some monitors, however, some parts at the edges of the screen may not be displayed.

- * The user OSD is controlled by serial command.

For details, consult your store of purchase.

19 TROUBLESHOOTING

Check the following before assuming there is a problem with the set.

If this does not solve the problem, there may be a problem with the set. Turn off the power and unplug the power cord, then contact your store of purchase.

Symptom	Possible problem	Remedy
<General operation>		
Power does not turn on.	• AC adaptor is not properly connected.	• Check the connection.
	• Power switch is set to "OFF".	• Turn on the power switch on the set's rear panel.
Buttons do not function.	• The key lock mode has been set by serial command.	• Use a serial command to cancel the key lock mode.
	• An FTP "SITE" command is being executed.	• Use an FTP "SITE" command to cancel the key lock mode.
	• A script file is playing.	• Press the STOP button for at least 2 seconds to cancel the script.
"Reboot!!!" has appeared momentarily on the monitor display or has appeared does not turn off.	• A medium has been ejected while drive the drive was being accessed.	–
	• Reboot has been executed by serial command.	–
"!" displayed on the OSD even when the SELECT button is pressed.	• A prescribed directory has not been created.	• Create all the prescribed directories (VIDEO, AUDIO, PICTURE and SCRIPT).
File cannot be played.	• File is damaged.	• Reformat the playback medium. * The data is lost when the medium is formatted.
	• The file format is not one that can be played on this set.	• Create a file in a format that can be played on this set.
Image stops in the middle or is interrupted.	• The playback medium does not have sufficient performance (speed) to keep up with the set's reading speed.	• Use a recommended card.
Playback medium is not recognized.	• The medium is not formatted.	• Format the medium. * The data is lost when the medium is formatted.
	• The format of the medium is not a format compatible with this set. * If the set's drive access lamp flashes repeatedly and the medium is not recognized though it is recognized on a computer, etc., it may be formatted in NTFS or super floppy format.	• Use the set's serial control command to format the medium on the set. * The data is lost when the medium is formatted.
<Synchronized playback>		
Two units cannot be synchronized, or time code synchronization does not work.	• The cable(s) for synchronization are damaged.	• Replace the cable(s).
	• The master/slave settings in the synchronization settings are not correct.	• Make the synchronization settings, then turn the power off then back on.
	• In the slave mode, the time code setting is wrong.	• Make the time code setting. (Serial command)
<Script playback>		
Script playback is not possible or stops in the middle.	• The text of the script is wrong. * On the DN-V1700, if there are mistakes in the script text, in some cases script execution will not start. This is to prevent malfunction.	• Refer to the description of scripts and correct the text.
<Serial communications>		
Serial communications not possible.	• The RS232C/422A selector switch is not set.	• Check the switch on the set's rear panel.
	• The communications settings on the controller do not match the settings on the DN-V1700.	• Check the communications protocol of the controller.

Symptom	Possible problem	Remedy
<LAN>		
DN-V1700 not recognized.	<ul style="list-style-type: none"> The network settings have not been made. The IP addresses are redundant. <ul style="list-style-type: none"> * When multiple units of the DN-V1700 are connected, their IP addresses must not be redundant. When connected to an existing LAN, the IP addresses must not be redundant. 	<ul style="list-style-type: none"> Check the IP address, gateway address and subnet mask settings. Reset the IP addresses.
SNTP time setting cannot be made.	<ul style="list-style-type: none"> Access is limited by firewall or router. 	<ul style="list-style-type: none"> Contact the administrator of the LAN to which the DN-V1700 is connected.

20 MAIN SPECIFICATIONS

Playable formats:	<p><Video + audio or video only> ISO/IEC 13818-1 MPEG2 MP@ML PS (Program Stream) files (video + audio) ES files (video only) Resolution: 720 x 480</p> <p><Still images> ISO/IEC 13818-2 MPEG2 MP@ML ES files Resolution: 720 x 480 per frame intraframe</p> <p><Audio format> MPEG1 – Audio Layer 2 (ISO/IEC 11172-3) Sampling frequency: 48 kHz, 44.1 kHz</p> <p><Max. baud rate> Max. 10 Mbps total for video + audio (as per card performance)</p>
Playback medium:	DENON recommended flash memory card Internal hard disk drive
Input/output terminals:	Component video (Y/Cb/Cr) output BNC terminal Composite output BNC terminal, composite output RCA terminal Y/C separated signal output S terminal, VITC input BNC terminal, VITC output BNC terminal Analog output RCA terminal (stereo) x 2 Analog output balanced active, XLR connector x 1 Digital audio output RCA terminal (EIAJ format) DC input terminal, serial mode (D-sub female 9 pin) terminal (for both RS232C and RS422A) Parallel remote (D-sub female 15 pin) terminal Ethernet (LAN) (RJ-45) terminal (10 Base-T/100 Base-TX, automatic selection)
Video performance:	Video outputs Composite: 1.0 Vp-p (negative resistance 75 Ω/ohms) S-Video: Y (brightness) signal: 1.0 Vp-p (negative resistance 75 Ω/ohms) C (color) signal: 286 mVp-p (negative resistance 75 Ω/ohms) Component: Y (brightness) signal: 1.0 Vp-p (negative resistance 75 Ω/ohms) Cb (color) signal: 0.7 Vp-p (negative resistance 75 Ω/ohms) Cr (color) signal: 0.7 Vp-p (negative resistance 75 Ω/ohms) Sampling frequency: 13.5 MHz S/N ratio: 50 dB or greater
Audio performance:	RCA output level: 1.3 Vrms (negative resistance 10kΩ/kohms: 1 kHz, 0 dB playback) Balance output level: +18 dBm, 600 Ω/ohms: 1kHz, 0 dB playback Distortion: 0.3% or less (when playing 1 kHz, 0 dB sine wave, using LPF) S/N ratio: 65 dB or greater (when playing 1 kHz, 0 dB sine wave, using LPF and A-Filter) Channel separation: 65 dB or greater (stereo, when playing 1 kHz, 0 dB sine wave, using LPF A-Filter) Frequency response (1 kHz base): Within 0 ±3 dB at 20 to 20 kHz: fs = 44.1 kHz
Internal clock error:	Within 60 seconds per month
External dimensions:	484 (W) x 44 (H) x 375 (D) mm
Mass:	4.6 kg (not including IC memory card)
Power supply:	AC adaptor (EPA-301DAN-06) Input: AC 120V, 60 Hz
Power consumption:	DC 6 V 1.8 A
Surrounding conditions:	Operating temperature range: 5 to 35°C Operating humidity range: 40 to 80% Storage temperature range: -20 to 60°C (not including playback media) Storage humidity range: 42 to 90% (not including playback media)
Period of warranty:	1 year from date of purchase (not including playback media)

* For improvement purposes, specifications and design are subject to change without notice.

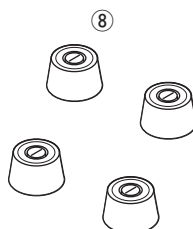
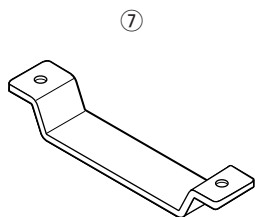
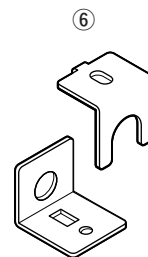
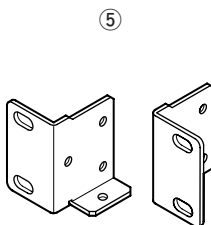
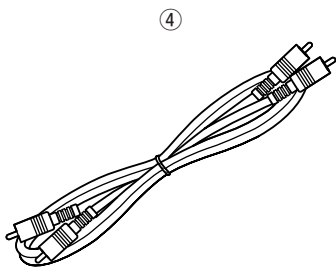
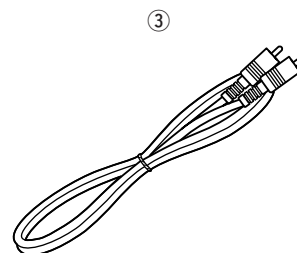
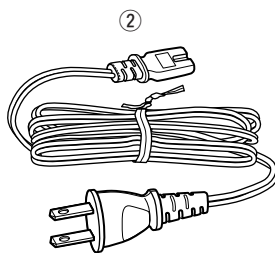
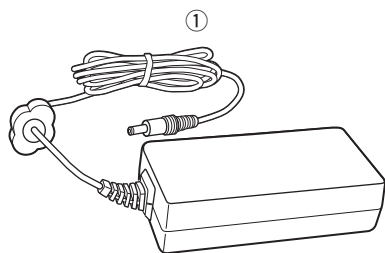
— TABLE DES MATIERES —

1	Caractéristiques	39	11	Actuel	51
2	Précautions de manipulation	39	12	Lecture utilisant les commandes de l'unité principale	52, 53
3	Liste des cartes compatibles de mémoire Flash	40	13	Disque dur interne	53 ~ 55
4	Table des matières de la voie de lecture	41 ~ 43	14	Borne série de télécommande	55 ~ 60
5	Préparations	44, 45	15	Borne parallèle de télécommande	60, 61
6	Nom et fonctions des pièces	46, 47	16	Lire les fichiers de texte	62, 63
7	Connexions de synchronisation	47, 48	17	Interface de réseau	64
8	Connexions à des dispositifs externes	49	18	Affichage à l'écran (OSD)	65 ~ 67
9	Régler l'horloge interne	50	19	Dépannage	68, 69
10	Indicateurs DEL d'unité principale à diodes émettrices de lumière LED	51	20	Caractéristiques principales	69

• Accessoires

Les accessoires suivants devraient être inclus comme supplément à l'unité centrale. Veuillez vérifier avant l'utilisation.

①	Adaptateur CA	1	⑧	Pieds	4
②	Câble d'alimentation	1	⑨	Vis de montage	Courte: 1, Ongue: 9
③	Câble de vidéo	1	•	Pour les installations de support	Ongue: 6
④	Câble d'audio (stéréo)	1	•	Pour les installations de prévention de coupure de la prise CC	Courte: 1, Ongue: 1
⑤	Installations de support	1 pour le côté gauche et 1 pour le côté droit	•	Pour le protecteur de la carte de mémoire IC	Ongue: 2
⑥	Installations de prévention de coupure de la prise DC	une pour A et une pour B	⑩	Procédures d'utilisation	1
⑦	Protecteur de carte de mémoire IC	1			



1 CARACTÉRISTIQUES

1. La DN-V1700 utilise une carte de mémoire Flash comme voie de lecture, permettant d'accomplir une fonction de haute fiabilité sans mécanisme de mouvement. (Lors de l'utilisation de la carte IC.)
2. Les différentes entrées, sorties et bornes de contrôle sont installées sur un support de taille 1U.
3. L'unité utilise un format MPEG globalement accepté pour une ration de compression élevée ainsi que pour le son et la vidéo de qualité supérieures.
4. La DN-V1700 soutient aussi la lecture audio.
5. Des commandes différentes de lecture sont effectuées avec le langage texte (programme).
6. Synchronisation des séquences vidéo par VITC.
7. La DN-V1700 est équipée des fonctions du serveur FTP avec un connecteur Ethernet 10 Base-T/100 Base-TX.
8. Le connecteur de série RS232C/RS422A (changeable) est installé.
9. Borne parallèle d'entrée/sortie (I/O) pour les contrôleurs externes et fonctions correspondantes.
10. La DN-V1700 est équipée d'un disque dur de 2,5 pouces.

2 PRÉCAUTIONS DE MANIPULATION

Condensation

■ Définition

La condensation est similaire au phénomène de formation de gouttelettes d'eau sur les fenêtres d'une pièce chauffée durant l'hiver.

■ Conditions causant la condensation

Si le système est apporté dans une pièce chauffée après avoir été exposé à l'extérieur à une température basse ou si par exemple, la température de la pièce, dans laquelle le système se trouve, s'élève soudainement due à un système de chauffage puissant, des gouttelettes d'eau se formeront sur les pièces fonctionnant à l'intérieur du système et empêcheront son fonctionnement correct.

La condensation peut aussi se former en été si le système est exposé à un courant d'air provenant directement d'un système à air conditionné. Dans ce cas, déplacez le système à un endroit différent.



■ Que faire en cas de formation de condensation

Si la condensation se forme, maintenez le système à l'arrêt pendant quelque temps en coupant l'alimentation. (Habituellement, le système devient à nouveau fonctionnel une à deux heures plus tard bien que cela dépende des conditions environnantes.)

Sauvegarde des données

Si la voie de lecture (disque dur etc.) devait faire défaut, vous ne pourriez pas récupérer vos données. Nous vous suggérons fortement de sauvegarder des copies.

Veuillez sauvegarder les données sur un disque dur avant d'apporter le système en réparation.

Notez que Denon n'acceptera aucune responsabilité que ce soit concernant la perte ou les changements de données pendant les réparations.

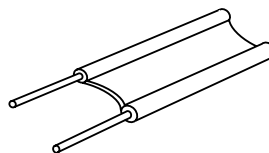
Lors du déplacement de l'unité

Mettez l'appareil hors tension, débranchez le cordon d'alimentation et débranchez tous les cordons de connexion extérieurs (cordons de connexion à d'autres appareils, etc.) avant de déplacer l'unité. Si vous ne le faites pas, les cordons pourraient être endommagés, ce qui entraînerait un risque d'incendie ou de choc électrique. Faites également attention de ne pas faire tomber l'unité et de ne pas lui faire subir de grands chocs car cela pourrait l'endommager.

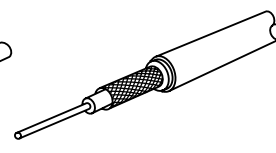
Précautions d'installation

- Utiliser le système, ou un autre matériel électronique comprenant des microprocesseurs en même temps que la touche de réglage ou que de la TV, peut provoquer des bruits dans le son de la touche de réglage ou de la TV ou pourrait gêner l'image de la TV. Si cela devait avoir lieu, prenez les mesures suivantes:

- Déplacez le système aussi loin que possible de la touche de réglage ou de la TV.
- Placez les fils électriques de l'antenne de la touche de réglage ou de la TV à l'écart du câble électrique du système et des câbles de connexions d'entrée/sortie (câbles de prises à fiches).
- Un bruit ou une image agitée a tendance à avoir lieu surtout lors de l'utilisation intérieure d'antennes ou de câbles de fondu sonore de 300 Ω /ohms. Nous vous recommandons aussi un câble coaxial de 75 Ω /ohms.



Câble de fondu sonore
300 Ω /ohms

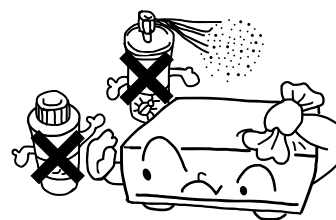


Câble coaxial de 75 Ω /ohms

- Le système est équipé d'un disque dur. Ne l'utilisez pas près d'un système qui génère des forces magnétiques (Haut-parleur etc.).

Nettoyage

- Pour enlever la saleté du coffret ou du panneau de commande, frottez délicatement à l'aide d'un chiffon doux.
 - Avant d'utiliser un chiffon imbibé de produit, lisez les avertissements.
- Exposer le système au benzène, à du diluant ou autres dissolvants organiques ou pesticides, pourrait abîmer la surface. Evitez d'employer de tels produits.



3 LISTE DES CARTES COMPATIBLES DE MÉMOIRE FLASH

Carte à utiliser (média de lecture)

- La DN-V1700 utilise une carte de mémoire Flash en tant que média de lecture.
- Veuillez vous servir d'un adaptateur pour utiliser une carte compacte Flash.

Capacité nominale	Lexar Média	Hagiwara Sys-com	Hagiwara Sys-com
	Compact Flash	Compact Flash	ATA
	Modèle	Modèle	Modèle
32 MB	CF032-200	CFC-032MBA (H00AB)	...
64 MB	CF064-200	CFC-064MBA (H00AA)	...
96 MB	...	CFC-096MBA (H00AB)	...
128 MB	CF128-12-360	CFC-128MBA (H00AA)	...
160 MB	CF160-12-360	CFC-160MBA (H00AB)	...
192 MB	CF192-12-360	CFC-192MBA (H00AB)	...
256 MB	CF256-12-360	CFC-256MBA (H00AA)	...
320 MB	CF320-12-360	CFC-320MBA (H00AB)	...
384 MB	...	CFC-384MBA (H00AA)	...
512 MB	CF512-12-360	CFC-512MBA (H00AA)	...
640 MB	ATC-640MBA (H00AA)
768 MB	ATC-768MBA (H00AA)
1024 MB	ATC-1G02BA (H00AA)
1280 MB	ATC-1G28BA (H00AA)
1536 MB	ATC-1G53BA (H00AA)
1792 MB	ATC-1G79BA (H00AA)
2048 MB	ATC-2G04BA (H00AA)

*1) Compact Flash™ est une marque de fabrique déposée de SanDisk.

- * Le tableau ci-dessus est disponible depuis mai 2002. Certaines cartes pourraient ne plus être produites ou vendues.
- * La DN-V1700 n'utilise pas de carte de mémoire d'une capacité inférieure à 32 MB.

REMARQUE:

Contrairement aux caméras digitales à index, la DN-V1700 accède continuellement une grande quantité de données, ce qui entraîne un niveau élevé d'exigence technique pour la sélection d'une carte de mémoire Flash. Certaines cartes de mémoire Flash disponibles en commerce ne répondent pas aux exigences du taux de transfert de données. Nous avons énuméré ici les cartes de mémoires qui ont suffisamment de vitesse d'accès. Si une carte de mémoire pas énumérée est utilisée, la lecture pourrait être interrompue au hasard ou se paralyser et pourrait ne pas être possible.

4 TABLE DES MATIÈRES DE LA VOIE DE LECTURE

(1) Formater

■ Modèle de format

La DN-V1700 accepte les média de formats FAT 16 et FAT 32 tandis que les média de formats différents tels que FAT 12 ou NTFS ne fonctionnent pas avec la DN-V1700.

La taille des faisceaux doit être égale ou supérieure à 2 kilo-octets.

Veuillez utiliser le FAT 16. Si la capacité du média est supérieure à 2 GB, utilisez le FAT 32.

Seulement les modèles de séparation sont reconnus. Ne créez pas de séparation étendue.

■ Taille des faisceaux

La taille des faisceaux est l'unité de données minimum lors de l'enregistrement sur cartes de mémoire Flash.

La taille des faisceaux peut varier lorsque les cartes sont formatées sur un ordinateur ou sur tout autre dispositif que la DN-V1700.

(2) Image Vidéo/index et formats audio

La DN-V1700 correspond au format suivant.

■ Le format de fichiers VIDEO et AUDIO [Les noms de fichiers sont attribués l'extension: mpg]

Système: ISO/IEC 13818-1 MPEG2 PS (Répartition de programme)

Le CBR (Taux constant d'octets) ou le VBR (Taux variable d'octet) 10 Mbps* maximum

VIDEO: ISO/IEC 13818-2 MPEG2 MP@ML 720 x 480 (NTSC)

AUDIO: ISO/IEC 11172-3 MPEG1 – couche audio 2

Fréquence de prélèvement: 48 kHz, 44,1 kHz

Taille du fichier: De 2 MB à 2 GB

■ Format de fichier VIDEO (sans audio) [Les noms de fichiers sont attribués l'extension: mpv]

VIDEO: ISO/IEC 13818-2 MPEG2 MP@ML ES (Répartition élémentaire) 720 x 480 (NTSC)

Le CBR (Taux constant d'octets) ou le VBR (Taux variable d'octets) 10 Mbps* maximum

Taille du fichier: De 2 MB à 2 GB

■ Format de fichier à image index [Les noms de fichiers sont attribués l'extension: mpi]

Image index: ISO/IEC 13818-2 MPEG2 MP@ML ES (Répartition élémentaire) 720 x 480 (NTSC)

1 seule séquence (Intra-mage de séquence)

Taille du fichier: De 4 KB à 224 KB

■ Format de fichier AUDIO (sans VIDEO)

AUDIO: ISO/IEC 11172-3 MPEG1 – Audio couche 2

Fréquence de prélèvement: 48 kHz, 44,1 kHz

[Les noms de fichiers sont attribués l'extension: wav]

ou

AUDIO: PMC linéaire à 16 octets

Fréquence de prélèvement: 48 kHz, 44,1 kHz

[Les noms de fichiers sont attribués l'extension: wav]

Taille du fichier: Temps de lecture est égal ou supérieur à 2 secondes. 2 GB MAX

* Remarques spéciales

- 1) Tel que mentionné dans la remarque à la page 40, le fonctionnement en taux d'octets maximum pourrait ne pas être possible si une carte de mémoire inférieure à vitesse d'accès est utilisée.
- 2) Vous devrez également faire attention à la qualité de l'encodeur vidéo.
Même si une carte de mémoire de haute qualité et de taux d'octets plus élevé est utilisée, l'utilisation d'un système d'encodeur de basse qualité peut engendrer une lecture vidéo intermittente ou de basse qualité.

(3) Répertoires et organisation des fichiers

Pour permettre à la DN-V1700 de fonctionner correctement, les données devraient être enregistrées sur le média des répertoires décrits ainsi que de la manière spécifiée.

Les répertoires, autres que ceux décrits ici, ne devraient pas être créés.

■ Nom de fichier

Un nom de fichier se compose de 8 caractères ou moins, avec des caractères alpha-numériques selon le langage ASCII.

Le nom de long fichier (VFAT) n'est pas soutenu.

Nombre: de 0 à 9, Lettres: A à Z, Symbole: _

■ Extension

- Répartition de programme VIDEO et AUDIO: mpg
- Répartition élémentaire VIDEO (sans AUDIO): mpv
- Image index: mpi
- Couche audio 2 MPEG1 AUDIO (sans VIDEO): mpa
- PMC linéaire AUDIO à 16 octets (sans VIDEO): wav
- Fichier de texte (lit la liste des fichiers): dsc

■ Répertoires

Tous les fichiers devraient seulement être sauvegardés dans les répertoires suivant.

Aucun double de noms de fichiers n'est accepté.

Le nombre maximum de fichiers VIDEO, SCRIPT, et du répertoire AUDIO directory est de 999.

Le nombre maximum de fichiers d'un répertoire PICTURE est de 9999.

Assurez-vous de créer des répertoires VIDEO, SCRIPT, AUDIO et PICTURE qui ne tiennent pas compte de l'existence d'un fichier (Si le média est formaté par la DN-V1700, ces répertoires seront automatiquement créés).

Le répertoire SYS est utilisé par la DN-V1700 pour extraire les fichiers d'entrée, etc.

- * La DN-V1700 reconnaît les deux fréquences fs = 48 kHz et 44,1 kHz pour les fichiers audio mpg, mpa et wav.

Cependant, il est recommandé que vous mainteniez une des deux fréquences de prélèvement.

La DN-V1700 aura besoin approximativement d'1 seconde pour changer le mode de fréquence de prélèvement.

```

\ROOT
├── \VIDEO
│   ├── ***.mpg (MPEG2-PS (VIDEO et AUDIO))
│   └── ***.mpv (MPEG2-ES (VIDEO (sans AUDIO)))
├── \AUDIO
│   ├── ***.mpa (MPEG1 couche AUDIO 2 (sans VIDEO))
│   └── ***.wav (PMC linéaire AUDIO à 16 octets (sans VIDEO))
├── \PICTURE
│   └── ***.mpi (MPEG2-ES (Image index))
├── \SCRIPT
│   └── ***.dsc (fichier de texte (lit la liste des fichiers))
└── \SYS
    └── ***.log (fichier d'entrée)
  
```

(4) Temps de lecture

Le temps de lecture de la DN-V1700 dépend de la capacité de la carte et du taux de bits de la lecture.
Vous trouverez ci-dessous une description des méthodes de bases pour calculer le temps de lecture ainsi que des exemples.

■ Vidéo + audio

Le taux de bits de la lecture vidéo (kbps) x le temps de lecture (sec.) = La capacité de la portion vidéo

Le taux de bits de la lecture audio (kbps) x le temps de lecture (sec.) x 2 (2 canaux, à gauche et à droite) = La capacité de la portion audio

La capacité de la portion vidéo + la capacité de la portion audio = La capacité totale (kbit)

La capacité totale (kbit) ÷ 8 = La capacité totale (kilo-octet)

La capacité totale (kilo-octet) ÷ 1024 = La capacité totale (capacité requise de carte) (méga-octet)

■ Seulement vidéo

Le taux de bits de la lecture vidéo (kbps) x le temps de lecture (sec.) = La capacité totale (kbit)

La capacité totale (kbit) ÷ 8 = La capacité totale (kilo-octet)

La capacité totale (kilo-octet) ÷ 1024 = La capacité totale (capacité requise de carte) (méga-octet)

■ Image index

La capacité d'image index par scène est de (kbit) ÷ 8 = La capacité totale (kilo-octet)

La capacité totale (kilo-octet) ÷ 1024 = La capacité totale (capacité requise de la carte) (méga-octet)

■ Seulement audio (Couche audio 2 MPEG1)

Le taux de bits de la lecture audio (kbps) x le temps de lecture (sec.) x 2 (2 canaux, une à gauche et une à droite) = La capacité totale (kbit)

La capacité totale (kbit) ÷ 8 = La capacité totale (kilo-octet)

La capacité totale (kilo-octet) ÷ 1024 = La capacité totale (capacité requise de la carte) (méga-octet)

■ Seulement audio (PCM linéaire à 16 bits)

16 (bits) x la fréquence de prélèvement (kHz) x le temps de lecture (sec.) x 2 (2 canaux, à gauche et à droite) = La capacité totale (kbit)

La capacité totale (kbit) ÷ 8 = La capacité totale (kilo-octet)

La capacité totale (kilo-octet) ÷ 1024 = La capacité totale (capacité requise de la carte) (méga-octet)

[Exemple] Calculations des capacités requises

Contenu enregistré	Taux de bits enregistrés	Temps d'enregistrement (exemple)	Capacité	Formule
Vidéo + audio	3 Mbps (128 kbps x 2 can. audio incluses)	2 min.	45 MB	$3 \times 120 \div 8 = 45$
	8 Mbps (128 kbps x 2 can. audio incluses)	2 min.	120 MB	$8 \times 120 \div 8 = 120$
Seulement audio	MPEG 128 kbps	60 min.	113 MB	$128 \times 3600 \times 2 \div 8 \div 1024 = 113$
	PCM linéaire de 48 kHz à 16 bits	10 min.	225 MB	$16 \times 48 \times 600 \times 2 \div 8 \div 1024 = 225$
Image index	100 KB x n° d'images	500	49 MB	$100 \times 500 \div 1024 = 49$
Image index + audio	100 KB x n° d'images Audio MPEG de 128 kbps	500 60 min.	162 MB	$100 \times 500 \div 1024 + 128 \times 3600 \div 8 \div 1024 = 162$

5 PRÉPARATIONS

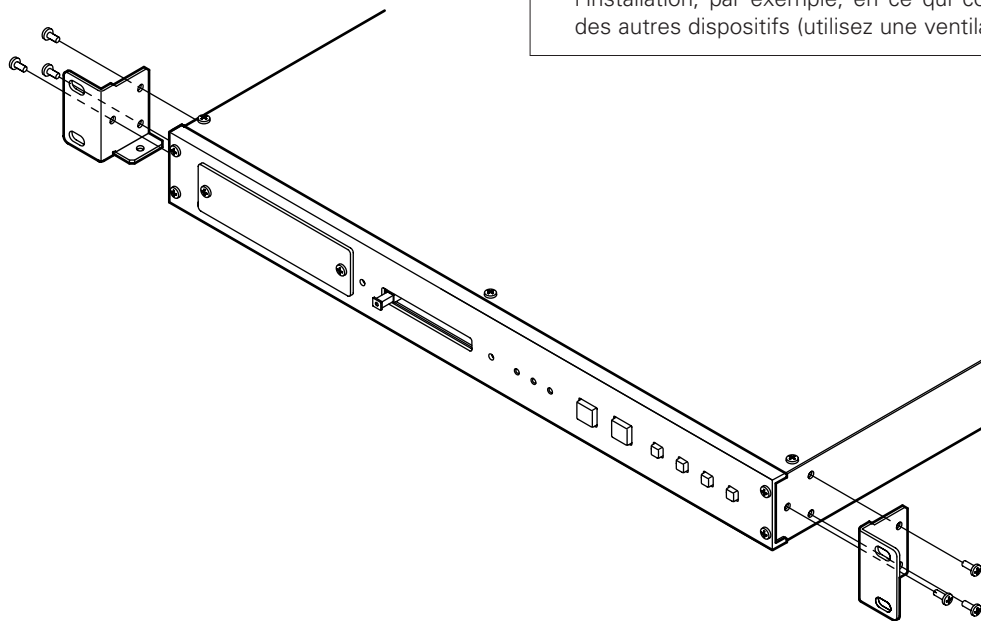
- Vérification des accessoires
Vérifiez que tous les accessoires sont inclus en vous référant à la section "Accessoires".
- Installation dans un châssis
La DN-V1700 utilise des châssis (1U).
Utilisez l'installation telle que décrite ci-dessous pour monter la DN-V1700 sur un châssis de type 1U.

REMARQUE:

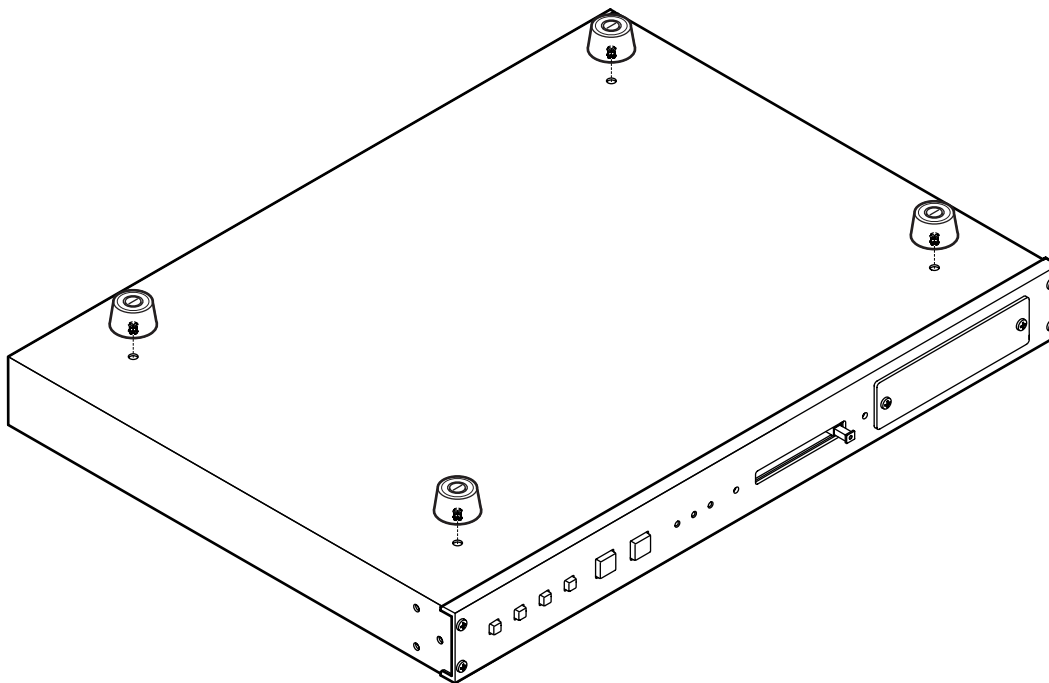
Lors du montage de la DN-V1700 dans le châssis, assurez-vous d'utiliser des rails de direction et des planches d'étagères etc., sur le côté du châssis pour empêcher le poids d'être appliqué sur l'avant de la DN-V1700.

Le poids de la DN-V1700 ne peut pas être seulement supporté par les installations.

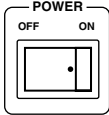
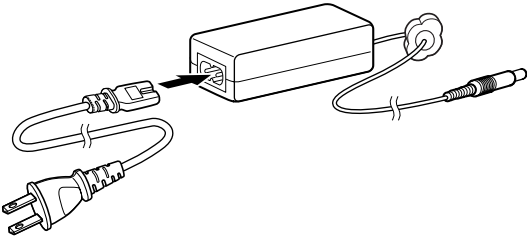
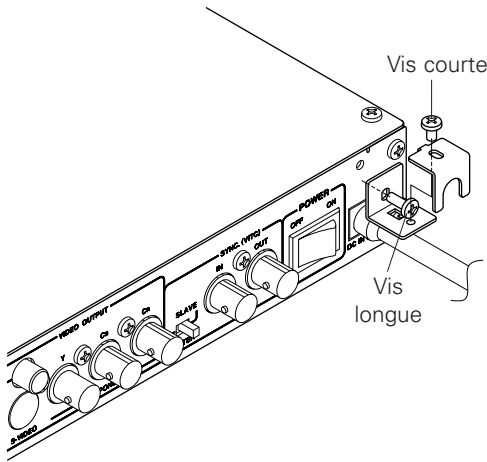
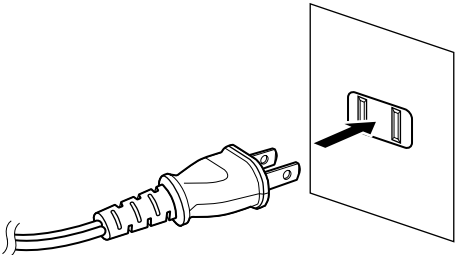
Prenez aussi en considération l'environnement de l'installation, par exemple, en ce qui concerne la chaleur des autres dispositifs (utilisez une ventilation forcée etc.).



- Monter les pieds
Introduisez les pieds dans les trous au fond du système et poussez les vers le centre pour les insérer entièrement.
- * Les pieds s'emboîtent dans le système et ne peuvent pas être enlevés après avoir été montés.



■ Connexion à l'adaptateur CA

1		<p>Réglez l'interrupteur d'alimentation de la DN-V1700 sur la position OFF.</p>
2		<p>Insérez le câble d'alimentation à l'entrée de l'adaptateur CA.</p>
3	 <p>Vis courte</p> <p>Vis longue</p>	<p>Insérez la prise CC de l'adaptateur CA dans la fiche DC IN de la DN-V1700. Montez les installations de prévention de coupure de la prise CC (A et B) de manière à ce qu'elle ne se débranche pas.</p>
4		<p>Branchez le câble d'alimentation à une prise de courant.</p>

Précautions avec l'adaptateur CA

- Assurez-vous d'utiliser l'adaptateur CA inclus.
- Assurez-vous de régler l'interrupteur de courant de la DN-V1700 sur la position OFF lorsque vous branchez et débranchez l'adaptateur CA.
- Notez que brancher l'adaptateur CA, lorsque l'alimentation du système est ouverte, pourrait endommager le système ou la carte de mémoire IC.
- Ne tirez pas sur le câble de la fiche CC de manière excessive lorsque les installations de prévention de coupure de la fiche CC (A et B) sont connectées. Cela pourrait endommager le câble de la fiche CC et possiblement endommager le système.

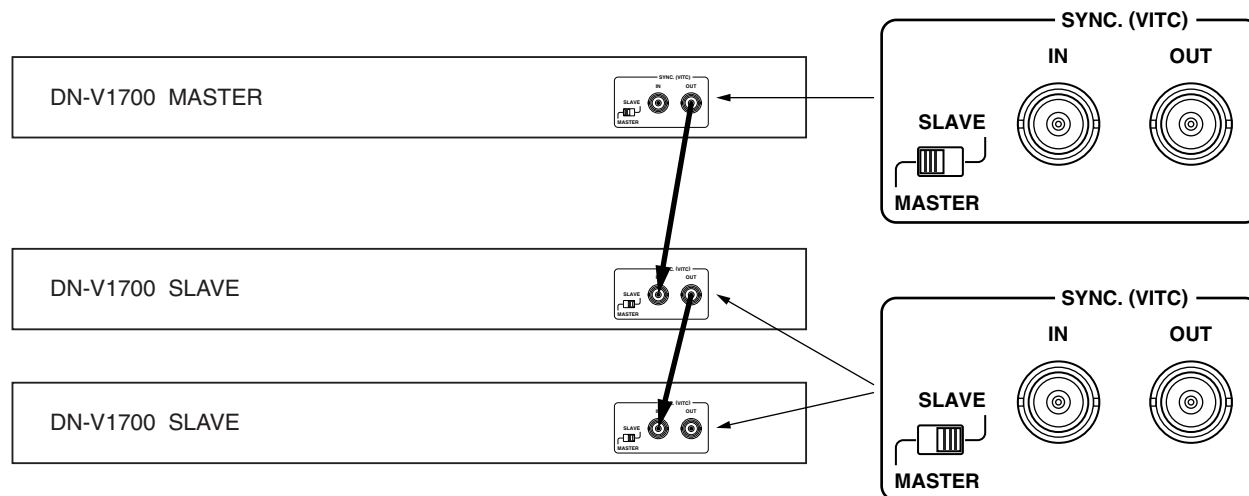
- 9 Borne de sortie à composés vidéo (COMPOSITE VIDEO OUTPUT) (RCA)**
Sortie à composés vidéo. Connectez-la à un écran moniteur équipé d'une entrée à composés vidéo en utilisant un câble RCA de 75 Ω/ohms. Le dispositif connecté doit avoir terminé à 75 Ω/ohms.
- 10 Borne de sortie S-vidéo (S-VIDEO OUTPUT)**
Borne de sortie S-vidéo. Connectez-la à un écran moniteur équipé d'une borne S-vidéo utilisant un câble S-vidéo.
- 11 Borne de sortie à composés vidéo (COMPONENT VIDEO OUTPUT)**
C'est une sortie à composés vidéo. Connectez-la à un écran moniteur équipé d'une l'entrée à composés vidéo.
- 12 Commutateur maître/esclave (MASTER/SLAVE)**
Utilisez ce commutateur pour sélectionner le mode, MASTER ou SLAVE, de fonctionnement du système. Le réglage est détecté lorsque l'alimentation est coupée, de cette manière, si l'interrupteur est en fonction, coupez l'alimentation et ouvrez-la à nouveau.
- 13 Borne d'entrée VITC (VITC IN)**
Borne d'entrée VITC pour le fonctionnement du système en mode esclave. Elle prend terminée à 75 Ω/ohms. Le niveau du signal d'entrée est le 1 Vp-p.
- 14 Borne de sortie VITC (VITC OUT)**
Borne de sortie VITC. La sortie permet la synchronisation avec un autre dispositif.
- 15 Interrupteur d'alimentation (POWER)**
Réglez cet interrupteur sur ON pour ouvrir l'alimentation.
- 16 Borne d'entrée CC (DC IN)**
Borne d'entrée d'alimentation. Connectez l'adaptateur CA à cette borne.

7 CONNECTIONS DE SYNCHRONISATION

La DN-V1700 permet la lecture synchronisée en unités de cadres en utilisant des signaux VITC de codage d'heure. La lecture synchronisée peut aussi se réaliser en utilisant une fonction de générateur d'esclave qui produit des codes d'heure synchronisés aux signaux vidéo (signaux synchronisés verticaux/horizontaux) ne comprenant pas les signaux VITC de code d'heure.

Lorsque vous utilisez seulement la DN-V1700 en tant que dispositif esclave d'un autre dispositif équipé d'une fonction VITC de production de signaux, réglez le commutateur MASTER/SLAVE à l'arrière du panneau sur la position SLAVE. Dans tous les autres cas (lorsqu'il n'y a pas de synchronisation avec un autre dispositif utilisant les signaux VITC de la DN-V1700), réglez le commutateur MASTER/SLAVE sur la position MASTER.

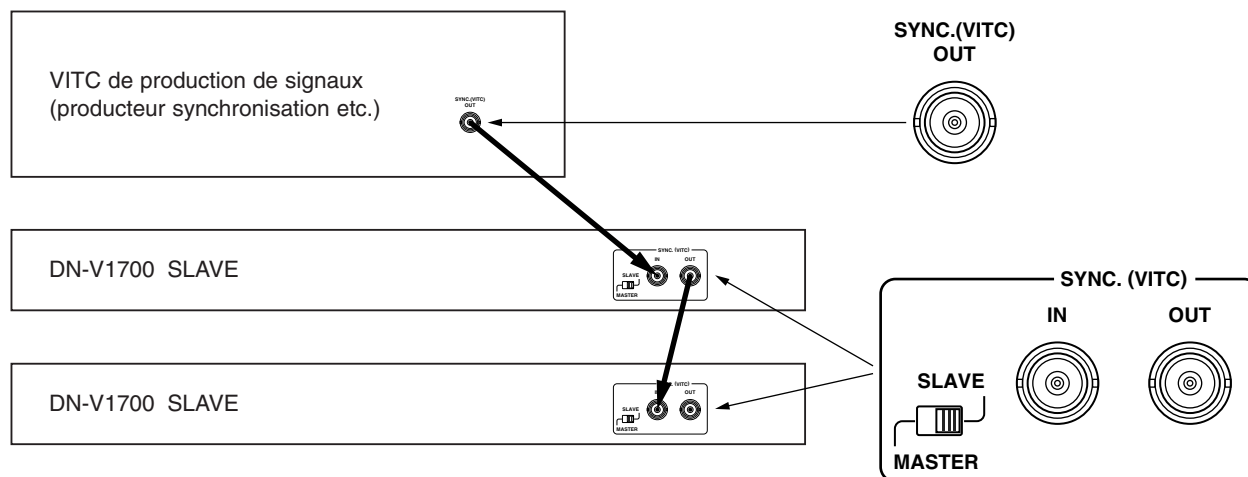
[Exemple de connexions – 1] Connexion de synchronisation de trois lecteurs DN-V1700



Dans cet exemple, le code d'heure produit par l'unité maître synchronise les deux unités esclaves. Réglez le commutateur d'unité maître sur MASTER, et le commutateur d'unités esclaves se positionne sur SLAVE.

* Lorsque le mémoire Flash ROM a été réglé sur le mode de production d'esclave par série ou sur la commande LAN de contrôle externe, le mode de production d'esclave peut être annulé.

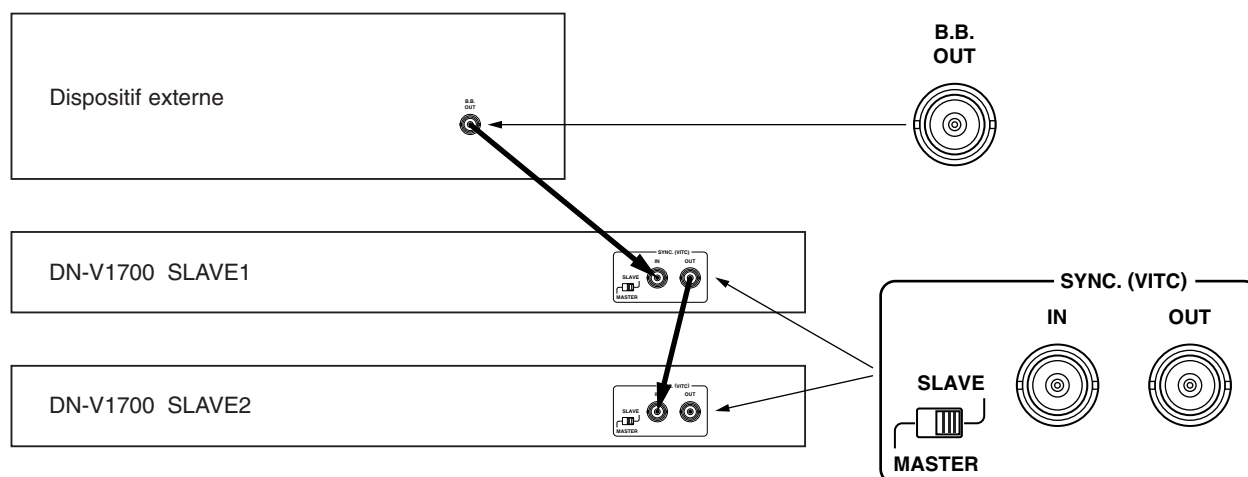
[Exemple de connexions – 2] Utiliser un dispositif externe en tant qu'unité maître Dispositif externe



Dans cet exemple, un dispositif à sortie VITC externe est utilisé en tant qu'unité maître pour synchroniser les deux unités esclaves.

* Lorsque le mémoire Flash ROM a été réglé sur le mode de production d'esclave par série ou par commande LAN de contrôle externe, le mode de production d'esclave doit être annulé.

[Exemple de connexions - 3] Synchronisation avec les signaux d'éclats noirs B.B. (Black Burst) d'un dispositif externe ne comprenant pas de signaux VITC



Dans cet exemple, deux unités esclaves sont synchronisées avec les signaux d'éclats noirs B.B. (Black Burst) d'un dispositif externe ne comprenant pas de signaux VITC.

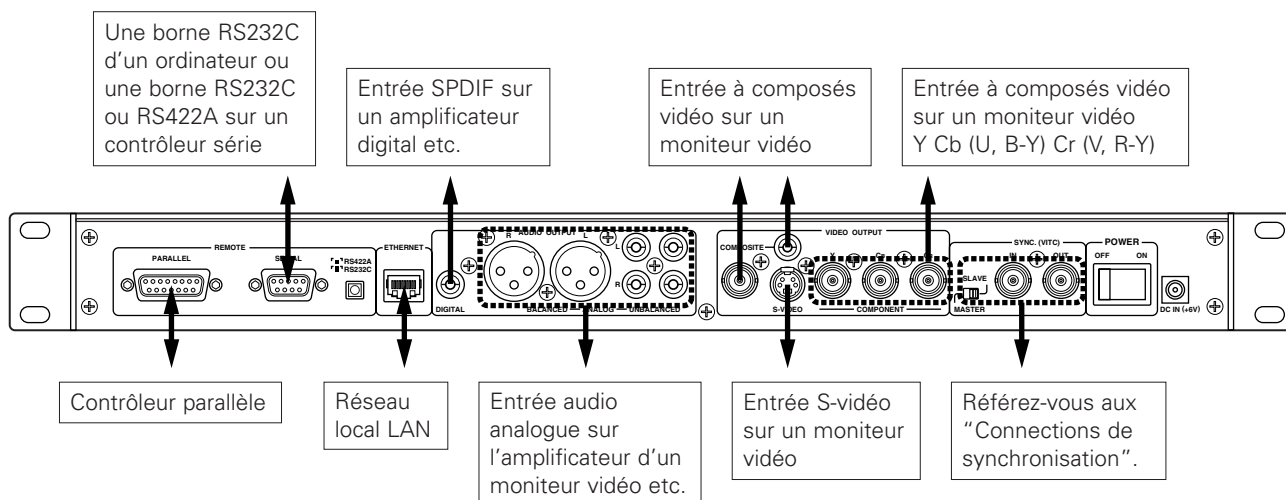
La première DN-V1700 produit des signaux VITC synchronisés aux signaux verticaux/horizontaux inclus aux signaux B.B des dispositifs externes et qui émettent des signaux à partir de la borne SYNC. (VITC) OUT.

* Dans cet exemple le mémoire Flash ROM de l'esclave 1 de la DN-V1700 doit être réglé sur le mode de production d'esclave par la commande série ou LAN de contrôle externe.

REMARQUES:

- Le signal de code d'heure de la DN-V1700 est compatible avec les normes VITC (code d'heure à intervalle vertical). Il n'est pas compatible avec les normes LTC (code d'heure de longitude).
- Lors de la connexion de la DN-V1700 pour la synchronisation en tant que dispositif maître, le nombre maximum d'unités pouvant être connecté aux unités esclaves est de 4.
- Lorsque des unités multiples sont connectées pour la synchronisation, si l'alimentation d'une des unités esclaves du milieu de la chaîne est coupée, la lecture synchronisée n'est également pas possible pour les unités esclaves consécutives.
- Lors de l'utilisation des dispositifs à composés vidéo externe au lieu de signaux B.B., la synchronisation pourrait être dérangée suite à un élément CC de fluctuation dans le signal vidéo.

8 DISPOSITIFS EXTERNES DE CONNEXIONS



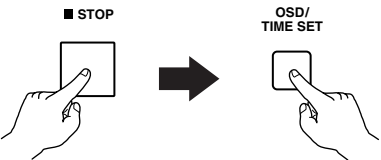
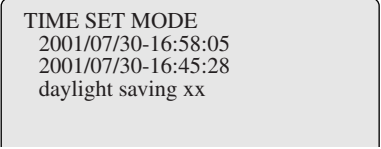
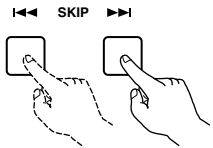
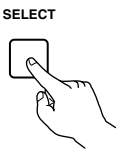
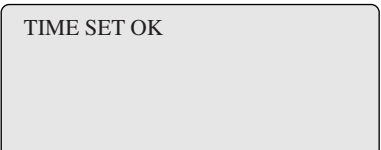
1. Connectez la borne PARALLEL REMOTE pour diriger le contrôle parallèle.
2. Connectez la borne SERIAL REMOTE pour diriger le contrôle série externe.
 - *1) Utilisez un câble série direct pour connecter à l'ordinateur.
 - *2) Cette borne est aussi bien un RS232C qu'un RS422A. Assurez-vous de régler le commutateur RS232C/RS422A sur la position correcte.
3. Connectez la borne ETHERNET pour diriger le contrôle réseau local LAN de type 10 Base-T/100 Base-TX.
4. Connectez le borne DIGITAL AUDIO OUTPUT pour utiliser la sortie audio digitale.
5. Connectez les bornes ANALOG AUDIO OUTPUT pour utiliser la sortie audio analogue.
 - *1) Il existe trois systèmes de sorties audio analogues qui extraient les mêmes signaux audio: deux systèmes de sorties RCA et un de sortie XLR.
6. Utilisez la borne COMPOSITE VIDEO OUTPUT pour connecter la DN-V1700 à l'entrée à composés vidéo d'un moniteur vidéo (TV etc.).
 - *1) Pour connecter un dispositif autre qu'un moniteur vidéo, le dispositif connecté doit avoir terminé à 75 Ω /ohms.
 - *2) Les bornes de BNC et de RCA extraient les signaux à composés vidéo.
7. Utilisez la borne S-VIDEO OUTPUT pour connecter la DN-V1700 à un moniteur vidéo (TV, etc.) avec une entrée S-vidéo. Le signal luminosité (Y) et le signal de différence de couleurs (C) sont affichés séparément, permettant une image plus définie qu'avec le signal à composés vidéo.
8. Utilisez le borne COMPONENT VIDEO OUTPUT pour connecter la DN-V1700 à un moniteur vidéo (TV, etc.) avec une entrée à composés vidéo. Le signal luminosité (Y) et le signal de différence de couleurs (C) sont divisés et les signaux de différences de couleurs sont affichés séparément, permettant une image plus définie qu'avec le signal à composés S-vidéo.

9 RÉGLER L'HORLOGE INTERNE

La DN-V1700 est équipée d'une horloge interne. Réglez l'horloge avant d'utiliser la DN-V1700.

L'horloge peut être réglée en utilisant les commandes de la DN-V1700 ou la commande du port série. Reportez-vous à la section "14 Borne Série de Télécommande" pour les instructions sur la commande du port série.

- Réglez la date et l'heure en utilisant les commandes de la DN-V1700
Connectez la sortie vidéo de la DN-V1700 à un moniteur externe et ouvrez l'alimentation.

1		<p>En mode d'arrêt, appuyez sur la touche OSD/TIME SET en appuyant sur la touche STOP.</p> <p>* Lorsque le mode de verrouillage est enclenché, annulez-le en utilisant la commande série "KL".</p>
2		<p>Les messages suivants apparaîtront sur le moniteur externe:</p> <p>"TIME SET MODE"</p> <p>"yyyy/mm/dd-hh:mm:ss" (date/heure actuelles)</p> <p>"yyyy/mm/dd-hh:mm:ss" (réglez les date/heure)</p> <p>"daylight saving **" (voir la remarque ci-dessous)</p> <p>"yyyy" clignote.</p>
3		<p>Utilisez la touche SKIP pour régler l'année (A.D.).</p>
4		<p>Appuyez sur la touche SELECT pour choisir l'espace des mois.</p>
5		<p>Répétez les démarches 3 et 4 pour régler la date et l'heure.</p>
6		<p>Dès que le réglage est terminé, appuyez sur la touche OSD/TIME SET. "TIME SET OK" est affiché et le réglage est terminé.</p> <p>* Appuyez sur la touche STOP pour annuler le réglage.</p>

- Réglage rapide:
Appuyez sur la touche PLAY/PAUSE après la démarche 1 décrite ci-dessus pour régler les secondes sur 0.

- Heure d'été:
Le réglage de l'heure d'été actuelle de la DN-V1700's est indiquée ci-dessus à la démarche 2 de "daylight saving **". Pour modifier le réglage, appuyez sur la touche SELECT pour enclencher le clignotement de la ligne "daylight saving" et ensuite, appuyez sur la touche PLAY/PAUSE. L'horloge est avancée d'une heure en changeant le réglage de "No" à "Yes" et est reculée d'une heure en changeant le réglage de "Yes" à "No".

- Réglage automatique avec le serveur SNTP:
Lorsque la date et l'heure sont réglées par le serveur SNTP lors de la connexion à un réseau, "auto set by SNTP" est affiché à la démarche 2 décrite ci-dessus. Utilisez la touche SELECT pour enclencher le clignotement du "auto set by SNTP" et ensuite, appuyez sur la touche PLAY/PAUSE. L'heure est maintenant réglée avec le serveur SNTP.

REMARQUE:

Lorsque le réglage décrit ci-dessus est accompli, nous vous recommandons de répéter la démarche 1 pour vérifier l'heure actuelle. Un super-condensateur est utilisé pour assurer le fonctionnement de l'horloge interne de la DN-V1700 même si l'alimentation est coupée. L'horloge continue de fonctionner pendant approximativement 7 jours après la coupure d'alimentation (du moment que l'alimentation était ouverte préalablement pour un minimum de 2 heures). Si l'horloge s'arrête, la date et l'heure seront réglée sur "2000/1/1 00:00:00".

10 INDICATEURS DEL DE L'UNITÉ PRINCIPALE

Les indicateurs DEL de l'unité principale indiquent les fonctions suivantes:

DEL	Signification				
	En mode d'arrêt	En mode de lecture (sans inclure la lecture de texte)	Pendant la lecture de texte	En mode de sécurité de pause/lecture	Lorsqu'une erreur est détectée
PLAY/PAUSE	Éteinte	Allumée	Allumée ou clignotante (rapide ou lente)	Clignotant lent	Clignotant lent
STOP	Allumée	Éteinte	Éteinte	Éteinte	
POWER	Indicates the set's power mode. Lit when power is turned on.				
ACCESS PCC	Indique l'accès du PC par la fente de carte (lecteur). S'allume ou clignote lorsque la fente de carte du PC (lecteur) est en train d'être accédée.				Clignote lorsqu'une erreur de lecteur est détectée.
ACCESS HDD	Indique l'accès du disque dur. S'allume ou clignote lorsque le disque dur est en train d'avoir accédé.				

11 ACTUEL

■ Actuel

Actuel se rapporte à la position actuelle du lecteur, du répertoire ou du fichier.

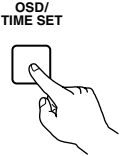
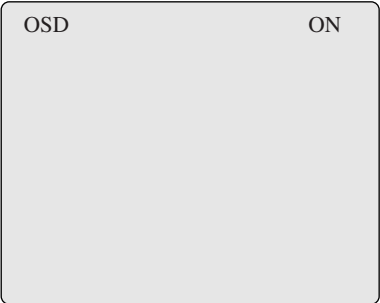
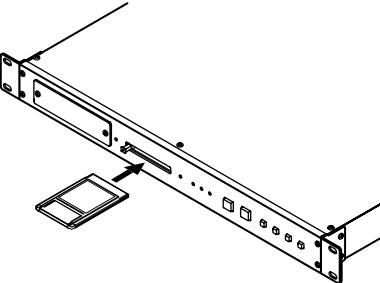
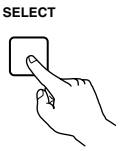
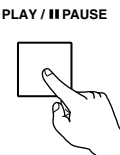
1. Lecteur actuel
Se rapporte au lecteur actuellement en train d'être contrôlé.
2. Répertoire actuel
Se rapporte au répertoire actuellement en train d'être contrôlé.
3. Fichier actuel
Se rapporte au fichier actuellement en train d'être contrôlé.

12 LECTURE UTILISANT LES COMMANDES D'UNITÉ PRINCIPALE

L'explication suivante décrit la manière de régler la lecture manuellement en utilisant les commandes de la DN-V1700. Avant de commencer, préparez une voie enregistrée sur laquelle la table des matières est enregistrée telle que décrite à la section "4 Table des matières de la voie de lecture").

■ Lecture

Connectez la sortie vidéo de la DN-V1700 à un moniteur externe et ouvrez l'alimentation.

1		En mode d'arrêt, appuyez sur la touche OSD/TIME SET.
2		"OSD ON" apparaît sur le moniteur externe.
3		Introduisez la voie d'enregistrement dans la fente (lecteur). La lampe ACCESS s'allume. Attendez qu'elle s'éteigne.
4		Appuyez sur la touche SELECT. L'affichage se change dans l'ordre suivant: "VIDEO", "AUDIO", "PICTURE", "SCRIPT". Affichez le répertoire contenant le fichier que vous désirez lire.
5		Appuyez sur la touche PLAY/PAUSE. La lecture commence. * S'il n'y a pas de fichier à lire, "!" apparaît et le système demeure en mode d'arrêt.

* La lecture peut être commencée sans appuyer sur la touche OSD/TIME SET mais dans ce cas, le répertoire affiché à la démarche 4 ne s'affiche pas donc, comptez le nombre de fois que vous appuyez sur la touche SELECT pour savoir quel répertoire vous avez sélectionné.

Avec la DN-V1700, le mode de lecture peut être réglé par une commande série dont l'utilisation de la lecture est décrite ci-dessous. Lorsqu'une commande série de contrôle est exécutée pendant la lecture, la lecture répétée ou continue est terminée.

	Ordre de triage	Mode simple	Mode de répétition	
1	Croissant	OFF	OFF	Les fichiers dans le répertoire doivent être lus dans l'ordre croissant des noms de fichiers. * Réglage par défaut
2			ON	Les fichiers dans le répertoire sont lus à plusieurs reprises dans l'ordre croissant.
3		ON	OFF	Un seul fichier est lu.
4			ON	Un fichier est lu à plusieurs reprises.
5	Décroissant	OFF	OFF	Les fichiers dans le répertoire sont lus dans l'ordre décroissant.
6			ON	Les fichiers dans le répertoire sont lus à plusieurs reprises dans l'ordre décroissant.
7		ON	OFF	Un seul fichier est lu.
8			ON	Un fichier est lu à plusieurs reprises.

■ Arrêter la lecture

Pour arrêter la lecture, appuyez sur la touche STOP.

Lorsque la lecture a été arrêtée, le fichier qui était lu à ce moment là est désigné comme fichier actuel.

Pour les images, le mode d'immobilisation est réglé à l'endroit où l'image s'est arrêtée.

■ Lecture du fichier suivant

- En mode d'arrêt

Appuyez sur la touche SKIP ►► et ensuite, appuyez sur la touche PLAY/PAUSE.

- En mode de lecture

Appuyez sur la touche SKIP ►►. Le fichier suivant est lu.

■ Pour lire un fichier actuel du début ou un fichier précédent

- En mode d'arrêt

Appuyez sur la touche SKIP ◀◀ et ensuite, appuyez sur la touche PLAY/PAUSE.

- En mode de lecture

Moins d'une seconde suivant le fichier du début ou actuel, appuyez sur la touche SKIP ◀◀. Le fichier précédent est lu. Si la touche SKIP ◀◀ saut est appuyée pendant plus d'1 seconde contre le fichier actuel, ce dernier est relu à partir du début.

13 DISQUE DUR INTERNE

■ Introduction

La DN-V1700 est équipée d'un disque dur de 2,5 pouces.

Les caractéristiques du disque dur sont décrites ci-dessous.

Catégorie	Caractéristique
Modèle	Disque dur de 2,5 pouces
Hauteur	9,5 mm
Consommation d'alimentation	1 A (5 V) max.
Interface	44 broches ATA
Format	MS-DOS FAT 32, taille de grappe 32 kB. * Pour les modèles de séparation, la DN-V1700 n'est compatible qu'avec "la séparation primaire", mais pas avec la "séparation étendue".
Position de l'installation	Conforme au SFF-8201

*1 En tant que dispositif tournant, le disque dur doit être remplacé périodiquement.

(La période de remplacement dépend énormément de la fréquence d'usage. En général, le lecteur devrait être remplacé tous les 6 mois à 2 ans.)

*2 La température environnante de la DN-V1700 doit se situer entre 5° et 35° C pour permettre au disque dur de fonctionner normalement. Faites particulièrement attention de ne pas placer le système près d'un dispositif qui génère beaucoup de chaleur, faisant augmenter la température environnante au-dessus de 35° C.

■ Fonctionnement

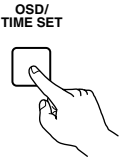
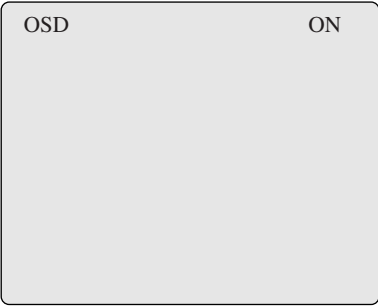
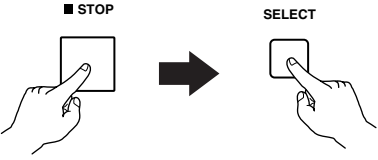
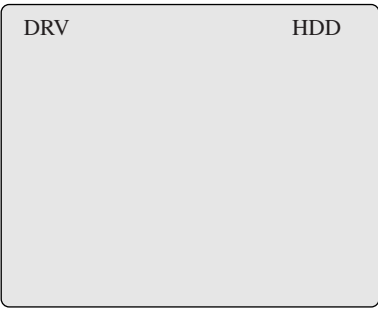
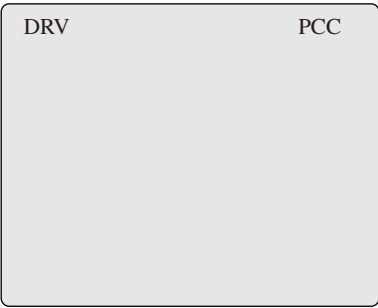
La DN-V1700 comprend deux lecteurs, le disque dur et la fente pour carte du PC (lecteur). Le fonctionnement avec cette structure à deux lecteurs est décrit ci-dessous.

Le format vidéo/audio des fichiers à être lus ainsi que la structure du répertoire (dossier) et du fichier sont semblables aux cartes de mémoires IC. Reportez-vous au "4 Table des matières de la voie de lecture" pour les détails.

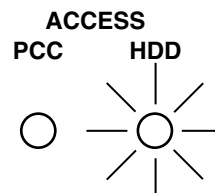
■ Changer le lecteur

La procédure pour changer les lecteurs manuellement en utilisant les commandes d'unité principale est décrite ci-dessous.

* Lorsque le mode de verrouillage est enclenché, annulez-le en utilisant la commande série "KL".

1		En mode d'arrêt, appuyez sur la touche OSD/TIME SET.
2		<p>"OSD ON" apparaît sur le moniteur externe.</p> <p>* Lorsque l'affichage à l'écran est déjà allumé, il s'éteint, donc appuyez à nouveau sur la touche OSD/TIME SET.</p>
3		Appuyez sur la touche SELECT tout en appuyant sur la touche STOP.
4		Si le lecteur actuel est réglé sur "PCC" (Fente de carte du PC (lecteur)), changez le lecteur actuel en "HDD". L'affichage se change en "HDD".
5		Si le lecteur actuel est réglé sur "HDD" (disque dur), changez le lecteur actuel en "PCC". L'affichage se change en "PCC".
6		Sélectionnez le lecteur désiré lors de la démarche 4 ou 5.

- Lampe d'accès du disque dur
Lorsqu'un disque dur est ajouté, la lampe d'accès est "ACCESS HDD".



- Les explications suivantes décrivent l'ordre de priorité lorsque l'alimentation est ouverte.

Lorsque l'alimentation est ouverte		lecteur actuel
PCC (Fente de carte du PC (lecteur))	HDD (disque dur)	
Aucun	Installé	Disque dur
Chargé	Installé	Fente de carte du PC (lecteur) *1

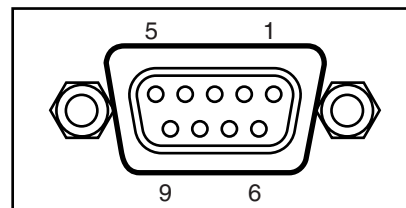
*1) Le lecteur actuel ne change pas automatiquement au disque dur lorsque la carte du PC est rejetée.

14 BORNE SÉRIE DE TÉLÉCOMMANDE

La borne série de télécommande sur le panneau arrière de la DN-V1700 peut être utilisée pour connecter son logiciel à un ordinateur, etc., permettant une large variété de possibilités de commandes avec la télécommande série. La borne est compatible avec les normes du RS232C et du RS422A, sélectionnés avec le commutateur de sélection du panneau arrière.

Caractéristiques du matériel

Normes (Standards)	Conformes à RS232C et à RS422A
Modèle de connecteur	Sub D 9 broches femelles
Longueur des données	8 bits
Vitesse de transmission	9.600 bps
Contrôle de la circulation	Aucune
Synchronisation	Synchronisation asynchrone
Bit d'arrêt	1 bit
Parité	Aucun



Point n°	RS232C (commutateur de sélection a sauté soudainement)		RS422A (commutateur de sélection est enclenché)	
	Nom de signal	Entrée/sortie	Nom de signal	Entrée/sortie
1	-	-	-	-
2	TXD	Sortie	TXD (RETURN)	Sortie
3	RXD	Entrée	RXD	Entrée
4	-	-	-	-
5	GND	-	-	-
6	-	-	GND	-
7	-	-	TXD	Sortie
8	-	-	RXD (RETURN)	Entrée
9	-	-	-	-

REMARQUES:

- Utilisez un câble série direct pour connecter à un ordinateur.
- Assurez-vous d'ouvrir l'alimentation de la DN-V1700 et du dispositif de commande lors de la connexion du câble série et lors du changement entre le RS232C et le RS422A. Négliger de suivre ces instructions pourrait entraîner l'endommagement de la DN-V1700 ni ou dispositif de commande.
Assurez-vous de passer aux réglages appropriés de RS232C ou de RS422A pour les caractéristiques du matériel de spécifications du dispositif de commande.
- Les signaux autres que les TXD et les RXD (par exemple, les signaux DTR) ne peuvent pas être utilisés avec la DN-V1700. Si la commande de réception de tels signaux est exécutée sur le dispositif de commande, prenez les mesures nécessaires de logiciel et de matériel sur le dispositif de commande.

Caractéristiques du logiciel

* Ces procédures d'utilisation comprennent seulement une description générale des télécommandes série.
Pour les détails des commandes individuelles, consultez votre magasin.

■ Procédure de base pour transmettre et recevoir des commandes

Protocole de base de cette interface: Le dispositif avec lequel plusieurs communications série sont possibles (Voir "le contrôleur" ci-dessous) donne les commandes et la DN-V1700 renvoie des messages indiquant que les commandes ont été exécutées.

Lors de l'utilisation d'un ordinateur, les communications série sont possibles en utilisant une hyper-borne incluse dans les normes de Windows™ 95 et des versions suivantes.

■ Format de la commande

Les codes ASCII en caractères sont utilisés pour les commandes et messages actuels. Les commandes sont données avec deux caractères. Il n'y a pas de distinction entre les majuscules et minuscules mais les deux lettres doivent être combinées.

Le code <CR><LF> (0DH,0AH) est ajouté à la fin des commandes. La DN-V1700 reconnaît si une commande est achevée avec ce code.

Certaines commandes peuvent inclure des paramètres (arguments), mais étant donné que les commandes servent aussi à mettre fin aux paramètres, assurez vous de placer les paramètres avant la commande et de ne pas laisser d'espace, etc. La longueur maximum des commandes comprenant des arguments est de 49 caractères.

[Exemple] 20SE<CR><LF> : Recherchez le 20ème extrait

Dans ce cas, 20 est le paramètre, SE est la commande.

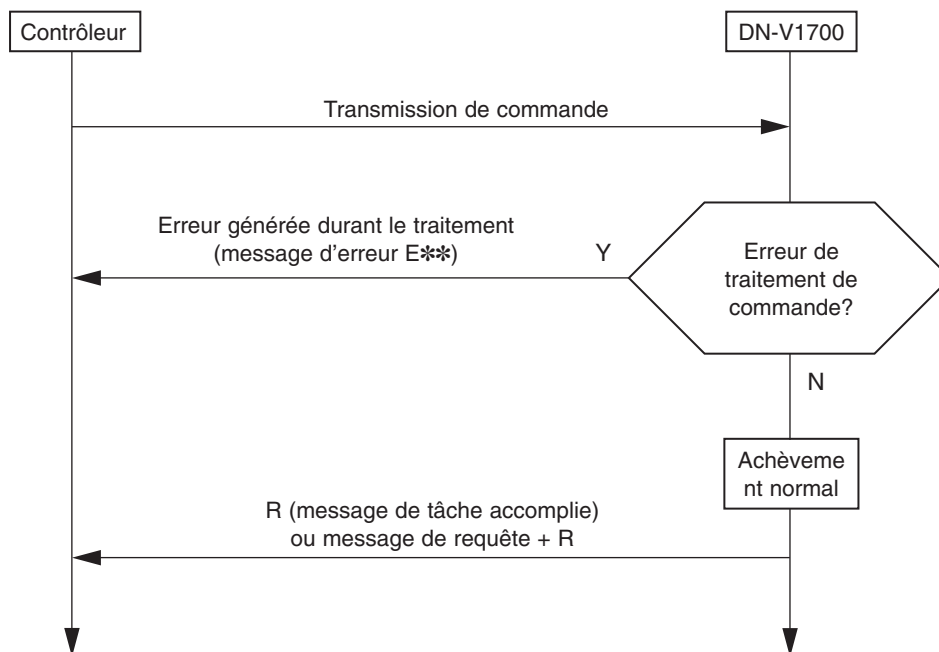
■ Transmission de commande et message de réponse

Lorsque la DN-V1700 reçoit une commande et complète la tâche exigée ou lorsqu'une erreur se présente, la DN-V1700 renvoie un message de réponse au contrôleur. Il existe trois modèles de messages de réponse:

- Message tâche accomplie "R" indiquant que la tâche a été accomplie normalement
- "R" indiquant un message d'état d'opération en réponse à une commande de requête de tâche + terminateur
- Message d'erreur "E**" indiquant qu'une erreur s'est présentée.

Un numéro à deux chiffres suivant le "E" dans le message d'erreur indique le type d'erreur.

* Le message "OK" est renvoyé après l'ouverture de l'alimentation ou la mise à zéro du système.



Envoyez une commande à la fois.

[Exemple] Pour rechercher le 10ème extrait et le lire
 10SE<CR><LF> → Envoyez
 R<CR><LF> ← Message de tâche accomplie
 PL<CR><LF> → Envoyez
 R<CR><LF> ← Message de tâche accomplie

■ Message de tâche accomplie

Ce message est renvoyé au contrôleur lorsque la tâche pour la commande d'utilisation (lire, etc.) ou que la commande reçue du contrôleur a été accomplie normalement.

R<CR><LF>

■ Message d'état d'opération

Un message de l'état d'opération comprenant des informations sur l'état d'opération de la DN-V1700, etc., peut être reçu en envoyant une commande de requête de l'état au contrôleur en demandant de connaître l'état d'opération, etc., de la DN-V1700. "R" revient en tant que terminateur à la fin du message.

Le format est spécifique à chaque commande.

■ Message de démarrage

Si le système est remis à zéro ou l'alimentation est réglée sur l'état d'ouverture à partir de l'état de fermeture en établissant les connexions série, le message "OK<CR><LF>" est envoyé à partir de la DN-V1700.

■ Messages d'erreur

Si pour quelque raison que ce soit, la tâche n'est pas accomplie normalement après la réception d'une commande venant du contrôleur, la DN-V1700 envoie au contrôleur un message d'erreur et les DEL des touches PLAY/PAUSE et STOP sur l'avant de la DN-V1700, clignotent. Le message consiste en un numéro d'erreur à deux chiffres.

Si vous désirez des informations détaillées sur une erreur suite à une commande envoyée, la confirmation d'erreur utilisant la commande série "?E" est possible. Les informations détaillées sur la dernière erreur peuvent être obtenues. Appliquer cette confirmation empêche les touches de la DN-V1700 de clignoter, rétablissant l'affichage au réglage normal. Les touches de la DN-V1700 arrêtent aussi de clignoter si la confirmation du message d'erreur est appliquée en premier avec l'affichage à l'écran (OSD).

Code d'erreur	Nom	Description
E00	Erreur de la mémoire de sauvegarde	Les valeurs de défaut de la mémoire Flash ROM ont été chargées car les réglages de la pile de la mémoire de sauvegarde ont été perdus lors de l'allumage.
E04	Caractéristiques pas disponibles	Une tentative a été accomplie pour exécuter une fonction qui n'est pas disponible. La section d'instructions de la commande n'est pas correcte. Ne peut pas être utilisé dans le monde actuel. Le réglage d'argument ne se trouve pas à la portée inscrite.
E06	Argument manquant	L'argument nécessaire n'a pas été spécifié. La valeur de l'argument n'est pas appropriée.
E99	Panique	Une erreur d'échec de récupération s'est produite. Le lecteur ne peut pas avoir accédé. La lecture ne pouvait pas être continuée et s'est arrêtée.

■ Référence de la commande

- Les commandes sont des combinaisons de codes ASCII à deux caractères.
- Les arguments ne sont valides que s'ils sont placés devant la commande et que s'ils consistent en des chaînes de numéros ou de caractères inclus entre des guillemets ("").
- "n", sur la liste des commandes, se rapporte aux chaînes de numéros, "s" aux chaînes de caractères.
- Les commandes peuvent se composer de lettres majuscules ou minuscules mais une seule commande ne peut pas inclure les deux.
- "a" à "e", à droite du tableau suivant, se rapportent aux conditions décrites ci-après. La signe "○" indique que l'émission de la commande est possible.
 - a) Emettre en mode d'arrêt
 - b) Emettre durant la lecture de fichier
 - c) Emettre en modes d'immobilité et de pause
 - d) Emettre durant la lecture du texte
 - e) Emettre en tant que commande de "SITE" FTP

• Liste des commandes de l'état confirmation

(a: Emettre en mode d'arrêt, b: Emettre durant la lecture du fichier, c: Emettre en modes d'immobilité et de pause, d: Emettre durant la lecture du texte, e: Emettre en tant que commande de "SITE" FTP)

	Nom de commande	Commande	Fonction	a	b	c	d	e
1	Confirmation de la présence du lecteur	?D	Confirmation de la présence du lecteur	○	○	○	○	○
2	Confirmation d'espace libre sur le lecteur actuel	?A	Confirmation d'espace libre sur le lecteur actuel	○	○	○	○	○
3	Confirmation du fichier actuel du répertoire	n?L	Confirmation du fichier actuel du répertoire	○	○	○	○	○
4	Confirmation de l'état actuel	?P	Confirmation de l'état actuel	○	○	○	○	○
5	Confirmation du mode de lecture	?I	Confirmation du mode de lecture	○	○	○	○	○
6	Confirmation de la version Firmware	?V	Confirmation de la version Firmware	○	○	○	○	○
7	Confirmation du code d'heure	?T	Confirmation du code d'heure	○	○	○	○	○
8	Confirmation de l'horloge à temps réel	?C	Confirmation de l'horloge à temps réel	○	○	○	○	○
9	Confirmation du réglage de réseau	?N	Confirmation du réglage de réseau	○	○	○	○	○
10	Confirmation du message d'erreur	?E	Confirmation du message d'erreur	○	○	○	○	○
11	Confirmation du réglage de différence d'heures	?R	Confirmation du réglage de différence d'heures et heure d'été	○	○	○	○	○

• Liste des commandes de fonctionnement

(a: Emettre en mode d'arrêt, b: Emettre durant la lecture du fichier, c: Emettre en modes d'immobilité et de pause, d: Emettre durant la lecture du texte, e: Emettre en tant que commande de "SITE" FTP)

	Nom de commande	Commande	Fonction	a	b	c	d	e
12	Lire	PL	Lire l'extrait actuel	○	○	○		○
13	Lire le fichier spécifique	"s" PF	Lire un extrait spécifique	○	○	○		○
14	Préparer un fichier spécifique à lire	"s" PS	Préparer à jouer un clip	○	○	○		○
15	Pause	PA	Pause (écran d'affichage éteint)		○			○
16	Immobile	ST	Immobile (écran d'affichage allumé)		○			○
17	Arrêt	RJ	Arrêter la lecture	○	○	○	○	○
18	Recherche d'extrait	nSE	Rechercher un extrait actuel (mouvement)	○	○	○		○
19	Sortie audio	nAD	Ouvrir et fermer la sortie audio	○	○	○		○
20	Sortie vidéo	nVD	Ouvrez et fermez la sortie vidéo	○	○	○		○
21	Commande d'Affichage à l'écran (OSD)	nDS	Allumez et éteignez l'affichage du caractère d'affichage à l'écran	○	○	○		○
22	Affichage à l'écran OSD d'utilisateur clair	"s" CS	Effacer l'affichage à l'écran OSD d'utilisateur	○	○	○		○
23	Régler les propriétés d'affichage à l'écran OSD d'utilisateur	"s" AT	Spécifier les propriétés d'affichage à l'écran OSD d'utilisateur	○	○	○		○
24	Inscrire les caractères d'affichage à l'écran OSD d'utilisateur	"s" PR	Inscrire les caractères d'affichage à l'écran OSD d'utilisateur	○	○	○		○
25	Commande de sortie du port parallèle	nPO	Commande de sortie du port parallèle	○	○	○		○
26	Changement de lecteur actuel	nDR	Changement de lecteur actuel	○				○
27	Changement de répertoire actuel	nCD	Changement de répertoire actuel	○				○

• **Liste des commandes de fonctionnement**

(a: Emettre en mode d'arrêt, b: Emettre durant la lecture du fichier, c: Emettre en modes d'immobilité et de pause, d: Emettre durant la lecture du texte, e: Emettre en tant que commande de "SITE" FTP)

	Nom de commande	Commande	Fonction	a	b	c	d	e
28	Copie du fichier	"s" CP	Copier les fichiers entre les lecteurs	○				○
29	Effacement d'un fichier	"s" DL	Effacer un fichier	○				○
30	Formater le lecteur	nFM	Formater le lecteur	○				

• **Liste des commandes de fonctionnement**

(a: Emettre en mode d'arrêt, b: Emettre durant la lecture du fichier, c: Emettre en modes d'immobilité et de pause, d: Emettre durant la lecture du texte, e: Emettre en tant que commande de "SITE" FTP)

	Nom de commande	Commande	Fonction	a	b	c	d	e
31	Régler l'ordre de triage	nFS	Régler l'ordre de triage	○				○
32	Régler le code d'heure en mode esclave	nTM	Régler le code d'heure en mode esclave	○				○
33	Régler l'adresse IP	"s" IP	Régler l'adresse IP	○				
34	Régler le gateway	"s" GW	Régler le gateway	○				
35	Régler le masque de sous réseau	"s" NM	Régler le masque de sous réseau	○				
36	Régler de l'affichage de l'écran d'allumage	nBS	Allumez et éteignez l'affichage de l'écran d'allumage	○				
37	Régler l'heure VITC	"s" TC	Régler l'heure VITC	○	○	○		○
38	Verrouillage	nKL	Enclenchez et déclenchez la fonction de verrouillage	○	○	○		○
39	Régler l'horloge en temps réel	"s" RC	Régler l'horloge en temps réel	○	○	○		○
40	Régler le mode simple	nSG	Allumez et éteignez le mode simple	○	○	○		○
41	Régler le mode de répétition	nRP	Allumez et éteignez le mode de répétition	○	○	○		○
42	Mise à jour de la mémoire Flash ROM	2FU	Mise à jour de la mémoire Flash ROM	○				○
43	Fermeture de commande de "SITE" FTP	nLL	Fermeture de commande de "SITE" FTP	○	○	○		
44	Etablir une identité FTP d'entrée	"s" ID	Etablir une identité FTP d'entrée	○				
45	Etablir un mot de passe FTP d'entrée	"s" PW	Etablir un mot de passe FTP d'entrée	○				
46	Régler le serveur SNTP	"s" NS	Régler le serveur SNTP	○				○
47	Régler l'heure SNTP	NT	Régler l'heure par le serveur SNTP	○				
48	Remise à zéro	nRB	Rallumer le système	○				○
49	Régler l'affichage immobile	nFI	Régler l'affichage immobile (cadre/domaine)	○	○			○
50	Régler la différence d'heure	"s" GT	Régler la différence d'heure et l'heure d'été	○				○

REMARQUE:

Ne coupez jamais l'alimentation lorsque de la mise à jour de la mémoire Flash ROM "2FU" est en train d'être exécutée. La commande "2FU" recrée la mémoire interne du programme. Couper l'alimentation durant cette fonction peut endommager le système.

• **Liste des commandes de fonctionnement**

(a: Emettre en mode d'arrêt, b: Emettre durant la lecture du fichier, c: Emettre en modes d'immobilité et de pause, d: Emettre durant la lecture du texte, e: Emettre en tant que commande de "SITE" FTP)

	Nom de commande	Commande	Fonction	a	b	c	d	e
51	Réglage du mode de mise au point	"s" DM	Réglage du mode de mise au point	○				○
52	Exécuter une ligne de texte	nSJ	Exécuter une ligne de texte	○				○
53	Exécuter le texte de la ligne spécifique sur	nLG	Exécuter le texte de la ligne spécifique sur	○				○

• Liste des commandes de fonctionnement

(a: Emettre en mode d'arrêt, b: Emettre durant la lecture du fichier, c: Emettre en modes d'immobilité et de pause, d: Emettre durant la lecture du texte, e: Emettre en tant que commande de "SITE" FTP)

	Nom de commande	Commande	Fonction	a	b	c	d	e
54	Confirmation de l'état du lecteur	?S	Confirmation de l'état du lecteur	○	○	○	○	○
55	Test du lecteur	nTE	Vérifier la vitesse de lecture de la voie	○				
56	Réglage du retrait du DD	nHS	Réglage du retrait du	○				
57	Réglage du mode de réseau de communications	nHD	Réglage du mode de réseau de communications	○				
58	Registre de sortie	nLW	Registre de sortie à sauvegarder	○				○

REMARQUE:

Lors de l'accès d'un serveur FTP avec des connexions LAN, assurez-vous d'être déconnecté du serveur FTP avant d'exécuter les commandes série "FU" et "RB". Lorsque ces commandes sont terminées, la connexion est terminée de force et le contrôleur LAN ne reconnaît pas que la connexion du serveur a été fermée, ce qui pourrait engendrer une erreur de commande.

15 BORNE PARALLÈLE DE TÉLÉCOMMANDE

Un contrôleur externe peut être connecté à la DN-V1700 pour la commande parallèle à distance.

■ Caractéristiques

Genre de connecteur: sub D 15 broches femelles

Disposition des broches

Broche n° *1	Nom	Entrée/Sortie	Logique	Niveau *2	Description d'une fiche		
					Modes autres que le mode de texte		Mode texte
					Normal	Changement	
①	rechercher 1/6	Entrée	Négatif	TTL	Sélectionner le 1er fichier dans l'ordre de triage	Sélectionner le 6ème fichier dans l'ordre de triage	TOUCHE 1
②	rechercher 2/7	Entrée	Négatif	TTL	Sélectionner le 2ème fichier dans l'ordre de triage	Sélectionner le 7ème fichier dans l'ordre de triage	TOUCHE 2
③	recherche 3/8	Entrée	Négatif	TTL	Sélectionner le 3ème fichier dans l'ordre de triage	Sélectionner le 8ème fichier dans l'ordre de triage	TOUCHE 3
④	recherche 4/9	Entrée	Négatif	TTL	Sélectionner le 4ème fichier dans l'ordre de triage	Sélectionner le 9ème fichier dans l'ordre de triage	TOUCHE 4
⑤	recherche 5/10	Entrée	Négatif	TTL	Sélectionner le 5ème fichier dans l'ordre de triage	sélectionner le 10ème fichier dans l'ordre de triage	TOUCHE 5
⑥	sélection	Entrée	Négatif	TTL	Change le répertoire actuel	Change le répertoire actuel	TOUCHE 6
7	déplacement	Entrée	Négatif	TTL	Appuyez tout en faisant fonctionner les touches ① à ⑥, ⑪ et ⑫ pour changer leur fonction.		
8	lecture	Entrée	Négatif	TTL	Commence la lecture du fichier actuel		
9	GND (masse)	Réserve d'alimentation	-	-			
10	arrêt	Entrée	Négatif	TTL	Arrête la lecture du fichier		*3
⑪	▶▶/répéter	Entrée	Négatif	TTL	Saut dans l'ordre de triage	Enclencher et déclencher le mode de répétition	TOUCHE 7
⑫	◀◀/simple	Entrée	Négatif	TTL	Saut dans l'ordre inverse	Enclenche et déclenche le mode simple	TOUCHE 8
13	AUX1	Sortie	Négatif	TTL *4	Sortie 1 programmable		
14	AUX2	Sortie	Négatif	TTL *4	Sortie 2 programmable		
15	+5V	Réserve d'alimentation	-	-	Sortie + 5 V pour actionner un dispositif externe (REMARQUE 1)		

*1) Nombres entourés: la fonction de la touche change lorsqu'elle est appuyée dessus en même temps que la touche de changement.

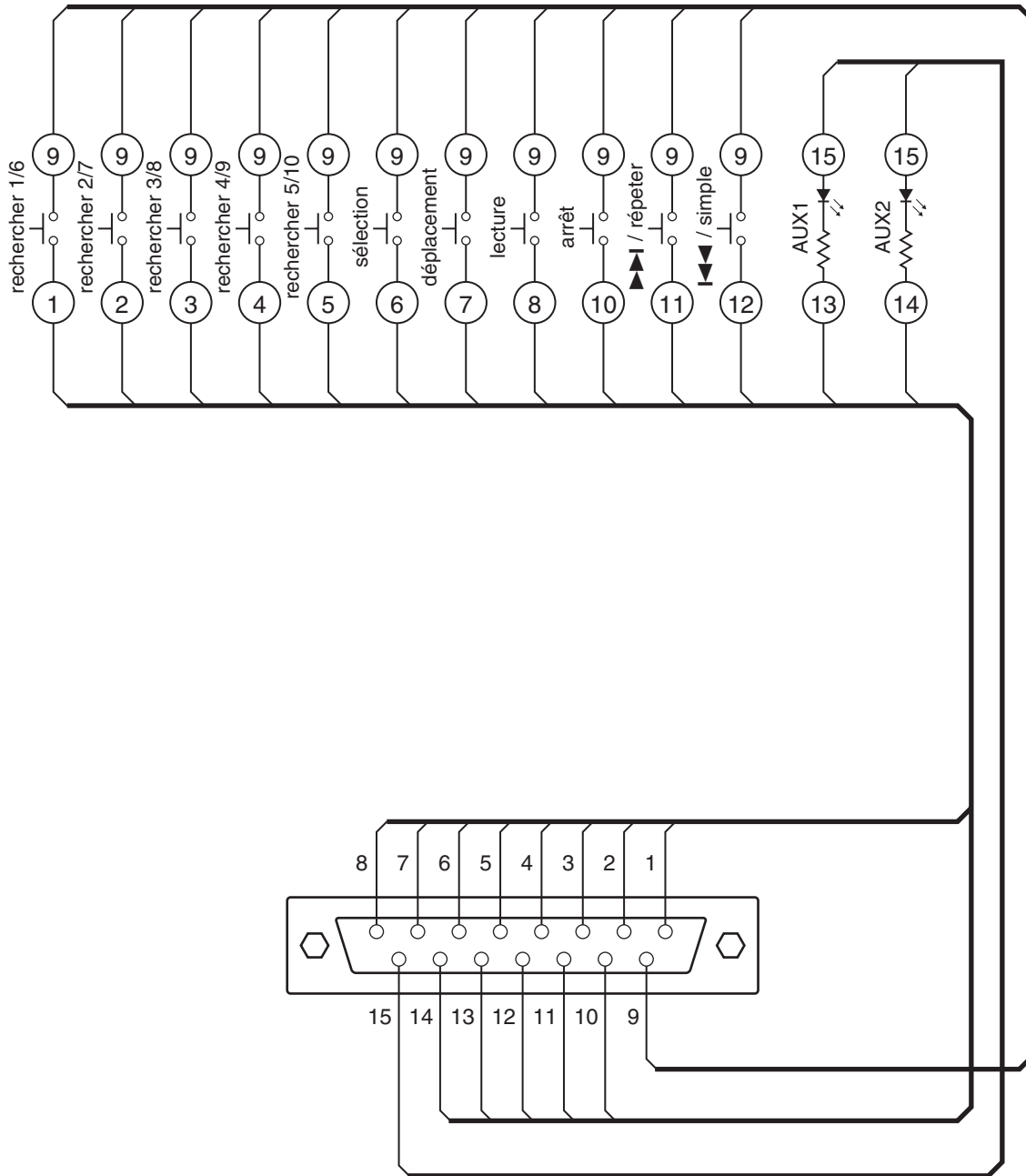
*2) Niveau TTL (résisteur de soulèvement inclu)

*3) Appuyez sur la touche d'arrêt de manière continue (pendant un minimum de 2 secondes) pour arrêter la lecture du texte.

*4) Courant de sortie maximum à basse intensité: 64 mA.

(REMARQUE 1): Assurez-vous que la consommation d'électricité du dispositif externe fournie par cette broche est égale ou inférieure à 200 mA.

■ Diagramme d'installation électrique parallèle



16 FICHIERS DE LECTURE DE TEXTE

Avec la DN-V1700, les programmes peuvent être lus en utilisant des fichiers qui se composent de commande unique de texte.

* Ce manuel d'installations ne couvre que la description générale des commandes de texte.
Pour les détails des commandes individuelles, consultez votre magasin.

■ Noms des fichiers de texte

Les noms des fichiers de texte se présentent sous le format suivant: Nom de fichier à 8 caractères maximum de code ASCII + ".DSC".

Les fichiers sont placés dans le répertoire "SCRIPT".

■ Exécuter les fichiers de texte

Une lecture programmée utilisant des fichiers de texte est exécutée en lisant le fichier de texte désiré dans le répertoire "SCRIPT".

■ Fonctionnement de la DN-V1700 lors de la lecture des fichiers de texte

Les commandes incluent dans le fichier texte sont exécutées dans l'ordre. L'exécution des commandes suivantes commence dès que l'exécution de la commande précédente est accomplie. Lorsqu'un fichier est lu, la commande suivante est seulement exécutée lorsque la lecture du fichier est terminée.

Si des commandes d'interruption ont été spécifiées, l'exécution se dirige sur l'étiquette spécifiée selon les conditions spécifiées et la commande de la ligne suivante, sur l'étiquette, est exécutée immédiatement. Lorsque l'interruption sous les mêmes conditions est déclarée sur plusieurs canaux, le réglage du canal avec le nombre le plus bas est efficace.

Si "@" est ajouté avant une commande, cette commande est exécutée même si un fichier est en train d'être lu, après laquelle la commande suivante est exécutée immédiatement sans attendre que la lecture du fichier se termine. (Reportez-vous à la liste des commandes de texte pour les commandes avec lesquelles le "@" est utilisable.)

■ Exécution automatique du texte

S'il existe un fichier portant le nom "ply00000.dsc" dans le répertoire "SCRIPT", le texte est exécuté automatiquement lorsque le dispositif est enclenché. (Le texte n'est pas exécuté si la touche STOP continue d'être appuyé lorsque le dispositif est allumé.)

■ Arrêt de la lecture du texte

La lecture du texte peut être arrêtée lorsqu'un texte est lu en utilisant les directives suivantes, sauf lorsque la commande "on break goto" est affichée:

- En appuyant et en maintenant la touche STOP sur le panneau avant pendant un minimum de 2 secondes.
- En appuyant et maintenant le touche STOP du contrôleur parallèle de télécommande pendant un minimum de 2 secondes
- Avec la télécommande série "RJ"
- Avec la télécommande "RJ" du "SITE" FTP

Pendant la lecture du texte, aucune fonction autre que les précédentes qui arrête les fonctions et la confirmation de l'état par une télécommande série ou une commande "SITE", n'est efficace.

■ Formater un fichier de texte

- Fichier TEXT (texte)
- Le terminateur de chaque commande doit être la commande de retour des fichiers réguliers de MS DOS (0x0D0A).
- Les commandes doivent être écrites en majuscules ou en minuscule. Une erreur se présentera si une commande contient les deux. Les paramètres et commentaires, par contre, peuvent inclure aussi bien les majuscules que les minuscules.
- Les commentaires peuvent commencer à partir de n'importe quelle position tant qu'elles commencent avant le 79ème caractère de la ligne.
- Le maximum de caractères par ligne est de 78 (sans inclure le retour) pour les lignes qui ne comprennent pas de commentaire, de 250 pour les lignes comprenant des commentaires. Même lorsque le commentaire commence après la commande, le signe ";" indiquant le commencement du commentaire doit être placé avant les 78 premiers caractères.
- Le maximum de lignes par fichier (le total des lignes de commandes et d'étiquette) est de 250 (sans inclure les lignes consistant seulement de commentaires).
- La taille maximum du fichier, comprenant des commentaires, est de 16 kilo-octets (16,384 octets).
- Lorsqu'un paramètre suit une commande, séparez-le avec un espace.
- Lorsqu'il y a plusieurs paramètres, séparez-les avec des virgules.
- Lors de l'omission du tout dernier paramètre, cependant, la virgule le précédent peut être omise.

■ Format de l'étiquette

- Les lignes d'étiquettes peuvent consister en n'importe quelle chaîne de caractères, jusqu'à 8 caractères, commençant avec un caractère "#" (9 caractères maximum comprenant le "#").
- Le caractère # est omis lorsqu'il est décrit comme les paramètres tels que "GOTO", "ONKEYGO", ou "ONBREAK".
- Les caractères qui peuvent être utilisés dans les noms d'étiquettes sont les majuscules de "A à Z", les minuscules de "a à z" et les nombres de "0 à 9".

■ Borne parallèle de télécommande

Pendant la lecture du texte, la borne parallèle de télécommande enclenche les fonctions de 1 à 6, 11 et 12 telles que les touches 1 à 8 et peut être utilisée avec la commande de texte "ONKEYGO" par exemple.

■ Liste des commandes de texte

("n" s'applique à un nombre entier)

	Commande	@	Format	Description
1	commentaire		;	Commentaire
2	lecture		PLAY	Lecture de 1 ou 2 fichiers. Le texte ne passe pas à la démarche suivante à moins que le fichier n'est lu jusqu'à la fin
3	lecture en attente		PLAYRDY	Préparation pour la lecture du fichier
4	lecture commence		PLAYGO	Commence la lecture d'un fichier pour lequel un mode de lecture d'attente est réglé à partir du TC spécifié
5	fin		END	Exécution de fin/changement du fichier de texte
6	pause		PAUSE	Réglez le mode de pause
7	immobile		STILL	Réglez le mode de pause (image immobile affichée à l'écran)
8	arrêt		STOP	Arrêtez la lecture (image immobile affichée à l'écran)
9	commande audio	@	AUDIO	Eteignez et allumez la sortie audio
10	commande vidéo	@	VIDEO	Allumez et éteignez la sortie vidéo
11	aller à		GOTO	Changement forcé de la séquence de commande
12	réglage du vitc	@	SETTC	Réglez le code d'heure SMPTE
13	attendez		WAIT	Attendez un nombre spécifié de secondes ou pour un code spécifié d'heure
14	en clavier, aller	@	ONKEYGO	Etablissez un changement forcé de séquence de commandes au moment de l'entrée introduite au clavier
15	allez au code d'heure SMPTE	@	ONSMPTCGO	Interruption du minuteur SMPTE
16	si jour de la semaine, allez à	@	IFDWKGO	Changez la séquence de commandes selon le jour de la semaine
17	allez au code d'heure réel	@	ONRTCGO	Interruption du minuteur à temps réel
18	à l'interruption allez à	@	ONBREAK	Spécifiez la nouvelle position de procédure lorsqu'une commande d'interruption de commande est reçue
19	affichage à l'écran	@	OSDDISP	Allumez et éteignez l'affichage à l'écran OSD d'utilisateur
20	copie de l'affichage à l'écran OSD	@	OSDPRT	Inscrire une ligne d'utilisateur OSD
21	attribut d'affichage à l'écran	@	OSDATT	Réglez l'attribut d'affichage à l'écran OSD d'utilisateur
22	Effacez l'affichage à l'écran	@	OSDCLR	Effacez la(les) ligne(s) de l'affichage à l'écran OSD d'utilisateur
23	commande tc interrompue	@	TCINT	Déclenchez/enclenchez l'interruption du code d'heure
24	commande rtc interrompue	@	RTCINT	Déclenchez/enclenchez l'interruption du code d'heure RTC
25	réglage du port com	@	COMSET	Réglage du mode série des communications de port
26	établir le port com	@	COMPUT	Sortez une ligne du port série
27	réglage de la sortie parallèle	@	OUTPORT	Réglage de la borne de sortie parallèle de télécommande
28	changement de lecteur		DRV	Changez le lecteur actuel
29	enclenchez la commande du site	@	SITECMD	Permet l'acceptance de la commande du site
30	calibrage du temps du serveur SNTP		TIMECAL	Calibrage du temps avec le serveur SNTP
31	réglage du mode immobile	@	STLMODE	Réglez l'écran d'affichage sur le mode d'immobilité
32	réglage de la variable	@	SET	Réglez la valeur du compteur de boucle
33	boucle		LOOP	Bouclez selon le compteur et l'étiquette des boucles
34	enregistrer un fichier d'entrée		WRITELOG	Fichier de sortie à sauvegarder

* "@" dans la colonne "@" indique les commandes pour lesquelles "@" peut être utilisé.

17 INTERFACE DE RÉSEAU

La DN-V1700 est équipée d'interfaces 10BASE-T et 100BASE-TX pour se connecter aux réseaux.

Un serveur FTP est installé pour le transfert de fichiers. L'accès est possible en utilisant la fonction FTP de client incluse (message DOS) en tant que norme de Windows™ 95 et des versions suivantes.

La même fonction en tant que borne de série est possible en utilisant la commande de "SITE" FTP.

* Ces procédures d'utilisation incluent seulement une description générale de la commande de réseau.
Pour les détails consultez votre lieu d'achat.

■ Caractéristiques

Protocole: TCP/IP
 Protocoles installés: TCP, UDP, IP, ARP, et ICMP (en partie)
 Connexion: Sélection automatique des 10BASE-T/100BASE-TX
 Modèle de connecteurs: RJ-45

■ Disposition des broches

Broches n°	Nom de signal	Nom
1	TXD +	Données de transmission (+)
2	TXD -	Données de transmission (-)
3	RXD +	Données de réception (+)
4	-	-
5	-	-
6	RXD -	Données de réception (-)
7	-	-
8	-	-

■ Réglages d'unité principale

Les cadres se rapportant aux réseaux (adresses IP, sous réseau, etc.) sont créés en utilisant les commandes série d'interface. Les valeurs de défaut pour les réglages différents sont montrées ci-dessous.

Adresse IP	192.168.0.1
Adresse de gateway	0.0.0.0
Masque de sous réseau	255.255.255.0

■ Serveur FTP

Les réglages se rapportant au serveur FTP (Identité, mot de passe etc.) sont créés en utilisant les commandes série d'interface. Les valeurs de défaut pour les réglages différents sont montrées ci-dessous.

	Défaut	Limitations
Identité d'entrée	user	4 à 10 lettres et numéros. Aucune distinction entre les majuscules et minuscules.
Mot de passe	noned	

18 AFFICHAGE À L'ÉCRAN (OSD)

La fonction d'affichage à l'écran de la DN-V1700 permet la superposition d'un affichage de caractères sur la photo.

Il y a trois modèles de base d'affichages à l'écran tels que:

- Status display: Affichage d'état : Affiche l'état en rapport à la fonction des touches d'unité principale et du contrôleur parallèle de télécommande. L'état en rapport aux commandes série de télécommande et de "SITE" FTP n'est pas affiché.
- Error display: Affichage d'erreur : Si une erreur se présente dans la DN-V1700, le message d'erreur est affiché.
- User OSD: Affichage à l'écran d'utilisateur : Les utilisateurs peuvent écrire n'importe quelle string de caractère qu'il désire sur l'affichage à l'écran OSD. Cela se fait en utilisant commandes série de télécommande et de "SITE" FTP aussi bien que les textes.

Lorsque l'affichage d'état et l'affichage à l'écran d'utilisateur sont allumés, l'affichage d'état a priorité, donc, l'affichage à l'écran d'utilisateur n'est pas affiché jusqu'à ce que l'affichage d'état s'éteigne.

■ Allumer et éteindre l'OSD

Lorsque l'alimentation est ouverte, l'affichage à l'écran (OSD) est réglé initialement pour ne pas être affiché. L'OSD est allumé et éteint avec la touche OSD/TIME SET sur le panneau avant ou avec la commande de série "DS".

En fait, l'affichage d'état est affiché par rapport à la fonction des touches sur le panneau avant et à l'opération de la borne de télécommande, pas pour les fonctions série de télécommande ou LAN.

- Commande allume/éteint de l'OSD par télécommande série
L'affichage de l'OSD est allumé et éteint en utilisant la télécommande de série "DS". L'OSD d'état et l'OSD de l'utilisateur peuvent être contrôlés par télécommande série.

<Format> n1n2DS<CR><LF>
(n1:0 = OSD d'utilisateur pas affiché, 1 = affiché)
(n2:0 = Etat ne pas affiché, nombres entiers de 1 à 9 = nombres de secondes le status est affiché, valeur de défaut - 3 secondes)

<Réponse> R<CR><LF>

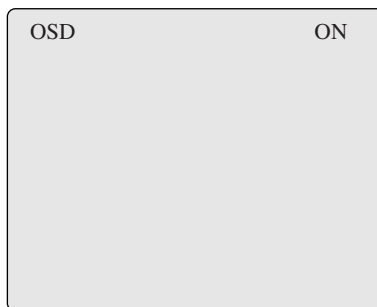
<Détails> Allumez et éteignez l'affichage de l'état et de l'OSD d'utilisateur. Lorsqu'ils sont tous les deux réglés sur "on", l'OSD d'utilisateur n'est pas affiché lorsque l'affichage d'état est affiché mais il s'allume aussitôt que l'affichage d'état s'éteint. (Messages d'erreurs affichés avec la fonction d'affichage de l'OSD restent affichés jusqu'à ce que l'utilisateur l'éteigne sans se soucier de cette commande).

■ Commande allume/éteint d'affichage de l'OSD par la commande de texte

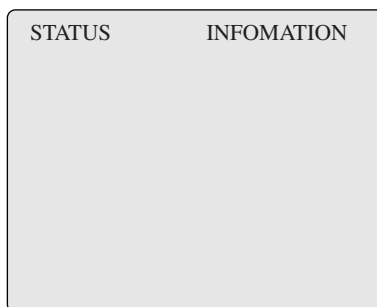
L'affichage de l'OSD est allumé et éteint en utilisant la commande "osd display". Seulement l'affichage de l'OSD d'utilisateur peuvent être contrôlé par commande de texte. (L'état d'OSD n'est pas affiché durant l'exécution du texte.)

<Function> Allumez et éteignez l'affichage de l'OSD
<Format> OSDDISP 0 ... Sortie de l'OSD éteinte
OSDDISP 1 ... Sortie de l'OSD allumée
<Details> Alternez entre ON et OFF l'affichage de l'OSD d'utilisateur.

- Commande allume/éteint d'OSD en utilisant la touche OSD/TIME SET sur l'unité principale.
 Seulement l'affichage d'état peut être allumé et éteint en utilisant la touche OSD/TIME SET sur le panneau avant.
 L'affichage d'état s'allume et s'éteint à chaque fois qu'un bouton est appuyé. Le temps d'affichage est la valeur établie par la commande série "DS". La valeur de défaut est de 3 secondes.
 Si l'écran est allumé, "ON" sera affiché.
 Rien est affiché lorsque l'OSD d'état est éteint.



- Affichage d'état
 L'affichage d'état indique l'état en rapport à la fonction des touches d'unité principale et à l'opération du contrôleur parallèle de télécommande. L'affichage d'état à priorité sur l'affichage d'OSD d'utilisateur.
 L'état du mode de lecture etc., est affiché dans le coin supérieur gauche, alors que le nom de fichier et autres informations supplémentaires sont affichés dans le coin supérieur droit.
 L'état est seulement affiché durant le nombre de secondes spécifiées avec la commande série "DS" suite à laquelle il s'éteint automatiquement.



Touche (unité principale, télécommande parallèle)		Affichage d'état	Affichage d'information
PLAY/PAUSE	En mode de lecture	PLAY	Nom du fichier de lecture
	En mode de pause	PAUSE	Aucun
STOP		STOP	Aucun
SELECT		DIR	Name of destination directory Nom du répertoire de destination (VIDEO, AUDIO, PICTURE ou SCRIPT)
STOP (SHIFT) + SELECT		DRV	Nom du nouveau lecteur (à PCC ou HDD)
FWD SKIP (▶▶▶)	En mode d'arrêt	SEARCH	Extrait n° (1 à 999)
	En mode de lecture	▶▶▶	N° de l'extrait lu (1 à 999)
REV SKIP (◀◀◀)	En mode d'arrêt	SEARCH	Extrait n° (1 à 999)
	En mode de lecture	◀◀◀	N° de l'extrait lu (1 à 999)
REPEAT (SHIFT + ▶▶▶)		REPEAT	ON/OFF
SINGLE (SHIFT + ◀◀◀)		SINGLE	ON/OFF
Opération introduite au clavier invalide			!

- Affichage OSD d'erreurs

Si une erreur se produit dans la DN-V1700, une description de l'erreur est affichée sur l'OSD.

Le message d'erreur affiché avec ses fonctions est le même que celui retourné avec la commande série "?E".

- Affichage des messages d'erreurs (l'affichage à l'écran)

Si une erreur se produit, les touches PLAY/PAUSE et STOP de l'unité principale clignote à des intervalles d'1 seconde, indiquant qu'une erreur s'est produite. En ce moment, la touche OSD/TIME SET sur l'unité principale peut être utilisée pour allumer et éteindre l'OSD.

Si une erreur se produit lorsque l'affichage OSD est éteint, le message d'erreur est affiché lorsque le système OSD est éteint.

Si l'erreur se produit lorsque le système d'affichage OSD est allumé, le message d'erreur peut être affiché en éteignant le système OSD et le rallumant.

Lorsque le message d'erreur est affiché, les touches du panneau avant arrêtent de clignoter et l'affichage redevient normal.

Si une autre erreur se produit lorsqu'un message d'erreur est affiché, la nouvelle erreur est affichée immédiatement.

Si un message d'erreur est affiché pendant que l'OSD d'utilisateur est affiché, l'OSD d'utilisateur ne peut pas être affiché à nouveau jusqu'à ce que l'erreur soit effacée.

- Sauvegarder les messages d'erreur

Si, après que la première erreur se soit produite, une seconde erreur se produit mais n'a pas encore été affichée, l'ancien message est effacé et le nouveau message est sauvegardé.

En plus, si après qu'une erreur se produise et avant que le message d'erreur soit affiché sur l'OSD, l'erreur est confirmée avec la commande série "?E", les touches du panneau avant arrêtent de clignoter et l'erreur du message est effacée.

- Affichage de l'OSD d'utilisateur

Toute chaîne de caractères peut être affichée sur l'OSD d'utilisateur en utilisant les commandes série "AT", "PR" et "CS". L'OSD d'utilisateur ne peut pas être affiché en même temps que l'affichage d'état. Si les deux sont allumés, l'affichage d'état a priorité.

Les lettres (majuscules ou minuscules), les numéraux et les symboles peuvent être utilisés avec l'OSD d'utilisateur, qui contient un maximum de 14 rangées qui se comportent chacune de 44 caractères (coordonnées de coin gauche supérieur: 0,0). Sur certains moniteurs, cependant, certaines pièces au bord de l'écran ne peuvent pas être affichées.

- * L'OSD d'utilisateur est contrôlé par une commande série

Pour les détails, consultez votre magasin.

19 DÉPANNAGE

Vérifiez les informations suivantes avant d'assumer qu'il y a un problème avec le système.

Si cela ne résout pas le problème, il pourrait y avoir un problème avec le système. Coupez l'alimentation et débranchez le câble d'alimentation, ensuite, contactez votre magasin d'achat.

Symptôme	Problème possible	Remède
<Fonctionnement général>		
L'alimentation ne se branche pas.	<ul style="list-style-type: none"> L'adaptateur CA n'est pas connecté proprement. Interrupteur d'alimentation réglé sur "OFF". 	<ul style="list-style-type: none"> Vérifiez la connexion. Enclenchez l'interrupteur d'alimentation sur le panneau arrière du système.
Les touches ne fonctionnent pas.	<ul style="list-style-type: none"> Le mode de verrouillage a été réglé par la commande série. 	<ul style="list-style-type: none"> Utilisez une commande série pour annuler le mode de verrouillage.
	<ul style="list-style-type: none"> Une commande de "SITE" FTP est exécutée. 	<ul style="list-style-type: none"> Utilisez une commande de "SITE" FTP pour annuler le mode de verrouillage.
	<ul style="list-style-type: none"> Un fichier de texte est lu. 	<ul style="list-style-type: none"> Appuyez sur la touche STOP pendant un minimum de 2 secondes pour annuler le texte.
"Reboot!!!" est apparu momentanément sur l'affichage du moniteur ou a semblé ne pas s'éteindre.	<ul style="list-style-type: none"> Une voie a été éjectée pendant que la lecture du lecteur était accédée. 	–
	<ul style="list-style-type: none"> La remise à zéro a été exécutée par la commande série. 	–
"!" affiché sur l'OSD même lorsque la touche SELECT est appuyée.	<ul style="list-style-type: none"> Un répertoire prescrit n'a pas été créé. 	<ul style="list-style-type: none"> Créez tous les répertoires prescrits (VIDEO, AUDIO, PICTURE et SCRIPT).
Le fichier ne peut pas être lu.	<ul style="list-style-type: none"> Le fichier est endommagé. 	<ul style="list-style-type: none"> Reformatez la voie de lecture. * Les données sont perdues lorsque la voie est formatée.
	<ul style="list-style-type: none"> Le format du fichier ne fait pas partie de ceux qui peuvent être lus sur ce système. 	<ul style="list-style-type: none"> Créez un fichier dans un format qui peut être lu sur ce système.
L'image s'arrête au milieu ou est interrompue.	<ul style="list-style-type: none"> L'exécution (vitesse) de la voie de lecture n'est pas suffisante pour suivre la vitesse de lecture du système. 	<ul style="list-style-type: none"> Utilisez une carte recommandée.
La voie de lecture n'est pas reconnue.	<ul style="list-style-type: none"> La voie n'est pas formatée. 	<ul style="list-style-type: none"> Formatez la voie. * Les données sont perdues lorsque la voie est formatée.
	<ul style="list-style-type: none"> Le format de la voie n'est pas un format compatible avec ce système. * Si la lampe d'accès du lecteur clignote continuellement et la voie n'est pas reconnue malgré avoir été reconnu sur l'ordinateur, etc., il se peut qu'elle ait été formatée dans le format NTFS ou de super-disquette. 	<ul style="list-style-type: none"> Utilisez la commande de contrôle série pour formater la voie sur le système. * Les données sont perdues lorsque la voie est formatée.
<Lecture synchronisée>		
Deux unités ne peuvent pas être synchronisées, ou le code de synchronisation de l'heure ne fonctionne pas.	<ul style="list-style-type: none"> Le(s) câble(s) pour la synchronisation sont endommagés. 	<ul style="list-style-type: none"> Remplacez le(s) câble(s).
	<ul style="list-style-type: none"> Les réglages maître/esclave du réglage de synchronisation ne sont pas corrects. 	<ul style="list-style-type: none"> Introduisez les réglages de synchronisation et ouvrez l'alimentation à nouveau.
	<ul style="list-style-type: none"> En mode esclave, le réglage du code d'heure est mauvais. 	<ul style="list-style-type: none"> Introduisez le réglage du code d'heure. (Commande série)
<Lecture de texte>		
La lecture de texte n'est pas possible ou s'arrête au milieu.	<ul style="list-style-type: none"> Le texte est mauvais. * Sur la DN-V1700, dans certains cas, s'il y a des erreurs dans le texte, l'exécution du texte ne s'enclenchera pas. Cela empêche le mauvais fonctionnement. 	<ul style="list-style-type: none"> Consultez la description du texte et corrigez-le.
<Communications série>		
Communications série impossible.	<ul style="list-style-type: none"> Le commutateur RS232C/422A de sélection n'est pas réglé. 	<ul style="list-style-type: none"> Vérifiez l'interrupteur sur le panneau arrière du système.
	<ul style="list-style-type: none"> Les réglages de communications sur le contrôleur ne correspondent pas aux réglages de la DN-V1700. 	<ul style="list-style-type: none"> Vérifiez le protocole des communications du contrôleur.

Symptôme	Problème possible	Remède
<LAN>		
DN-V1700 pas reconnue.	<ul style="list-style-type: none"> Les réglages du réseau n'ont pas été introduits. Les adresses IP sont en surnombre. <ul style="list-style-type: none"> * Lorsque les unités multiples de la DN-V1700 sont connectées, leurs adresses IP ne doivent pas être en surnombre. Lorsqu'elles sont connectées à un LAN existant, les adresses IP ne doivent pas être en surnombre. 	<ul style="list-style-type: none"> Vérifiez les réglages de l'adresse IP, de l'adresse de la passerelle et du masque de sous réseau. Réglez à nouveau les adresses IP.
Le réglage d'heure ne peut pas être accompli.	<ul style="list-style-type: none"> L'accès est limité par une passerelle de sécurité et un routeur. 	<ul style="list-style-type: none"> Contactez l'administrateur de LAN auquel la DN-V1700 est connectée.

20 CARACTÉRISTIQUES PRINCIPALES

Formats lisibles:

<Vidéo + audio ou seulement vidéo>
ISO/IEC 13818-1 MPEG2 MP@ML PS (Flot de programmes) fichiers (vidéo + audio)
Fichiers ES (seulement vidéo) Résolution: 720 x 480
<Image index>
Fichiers ISO/IEC 13818-2 MPEG2 MP@ML ES fichiers
Résolution: 720 x 480 par intra-cadre de cadre
<Format audio>
MPEG1 – Couche audio 2 (ISO/IEC 11172-3)
Fréquence de prélèvement: 48 kHz, 44,1 kHz
<Taux max. de la vitesse de transmission>
Total Max. de 10 Mbps pour vidéo + audio (par performance de carte)

Voie de lecture:

DENON recommande la carte clignotante de mémoire

Bornes entrée/sortie:

Disque dur interne
Borne BNC de sortie à Composé vidéo (Y/Cb/Cr)
Borne BNC de sortie composite, Borne RCA de sortie composite
Borne de sortie Y/C à signaux séparés, borne BNC à entrée VITC, borne BNC à sortie VITC
Borne RCA de sortie analogue (stéréo) x 2
Connecteur XLR actif équilibré de sortie analogue x 1
Borne RCA de sortie audio digitale (format EIAJ)
Borne d'entrée DC, borne série de mode (Sub D 9 broches femelles)(pour les RS232C et RS422A)
Borne parallèle de télécommande(Sub D 15 broches femelles)
Borne ethernet (LAN) (RJ-45)(10 Base-T/100 Base-TX, sélection automatique)

Performance vidéo:

Sortie vidéo Composite: 1,0 Vp-p (résistance négative de 75 Ω/ohms)
Signaux Y de Vidéo S (intensité): 1,0 Vp-p (résistance négative de 75 Ω/ohms)
Signal C (couleur): 286 mVp-p (résistance négative de 75 Ω/ohms)
Composé: signal Y (intensité): 1,0 Vp-p (résistance négative de 75 Ω/ohms)
Signal Cb (couleur): 0,7 Vp-p (résistance négative de 75 Ω/ohms)
Signal Cr (couleur): 0,7 Vp-p (résistance négative de 75 Ω/ohms)

Performance audio:

Fréquence de prélèvement: 13,5 MHz
Proportion S/N: égale ou supérieure à 50 dB
Niveau de sortie RCA: 1,3 Vrms (lecture de résistance négative de 10kΩ/kohms: 1 kHz 0 dB)
Niveau d'équilibre de sortie: lecture de +18 dBm, 600 Ω/ohms: 1 kHz, 0dB
Déformation: Égale ou inférieure à 0,3%
(Lors de la lecture d'onde sinusoïdale 1 kHz 0 dB, utilisant LPF)
Proportion S/N: Égale ou supérieure à 65 dB
(Lors de la lecture d'onde sinusoïdale 1 kHz 0 dB, utilisant des filtres LPF et A)
Séparation des canaux: Égale ou inférieure à 65 dB (stéréo, lors de la lecture de l'onde sinusoïdale 1 kHz 0 dB, utilisant des filtres LPF et A)
Réponse de fréquence (1 kHz base): entre 0 ±3 dB de 20 à 20 kHz: fs = 44,1 kHz

Erreur d'horloge interne:

De moins de 60 secondes par mois

Dimensions externes:

48,4 (L) x 44 (H) x 375 (P) mm

Poids:

4,6 kg (sans inclure la carte de mémoire IC)

Approvisionnement

Adaptateur CA (EPA-301DAN-06) entrée: CA 120 V, 60 Hz

d'alimentation:

CC 6 V 1,8 A

Consommation

d'alimentation:

Conditions environnantes:

Température de fonctionnement de : 5 à 35°C
Humidité d'utilisation: 40 à 80%
Température de la réserve de: -20 à 60°C (n'inclut pas le média de lecture)
Humidité de la réserve de: 42 à 90% (n'inclut pas le média de lecture)
1 an à partir de la date d'achat (n'inclut pas le média de lecture)

* Pour des raisons d'amélioration, les caractéristiques et les plans sont soumis à des changements sans être annoncés.

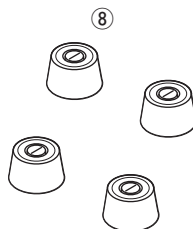
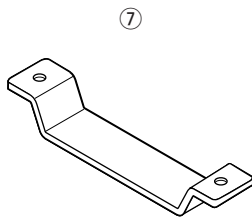
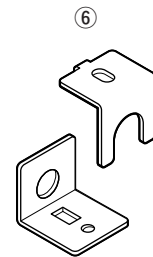
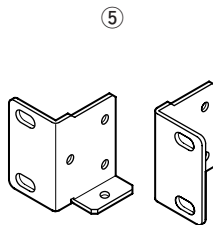
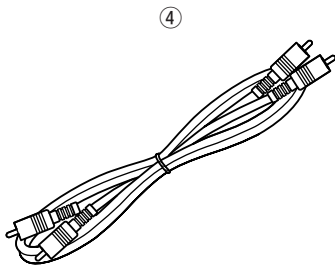
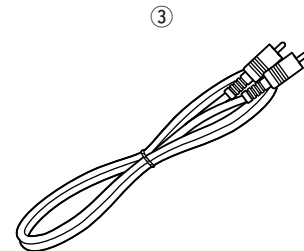
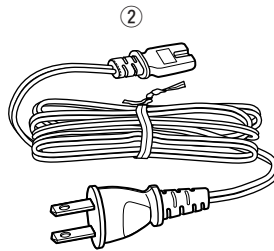
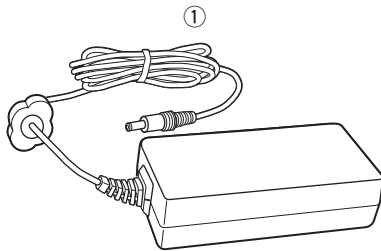
— TABLE DES MATIERES —

1	Funciones Principales	71	11	Actual	83
2	Precauciones durante su uso.....	71	12	Reproducción utilizando los controles de la unidad principal	84, 85
3	Lista de tarjeta de Memoria Flash compatible.....	72	13	Unidad de disco duro interno	85 ~ 87
4	Contenidos de medio de reproducción	73 ~ 75	14	Terminal de control remoto en serie	87 ~ 92
5	Preparativos	76,77	15	Terminal de control remoto en paralelo	92, 93
6	Nombre y funciones de las piezas.....	78, 79	16	Reproducción de archivo de script	94, 95
7	Conexiones de sincronización.....	79, 80	17	Interfaz de red	96
8	Conexiones a dispositivos externos	81	18	Visualizador en pantalla (OSD).....	97 ~ 99
9	Configuración del reloj interno	82	19	Solución de problemas	100, 101
10	Indicadores LED de la unidad principal	83	20	Especificaciones principales	101

• **Accesorios**

Los siguientes accesorios deberían incluirse junto a la unidad principal. Le rogamos que lo compruebe antes de su uso.

①	Adaptador CA	1	⑧	Pies.....	4
②	Cable de alimentación	1	⑨	Tornillos de fijación.....Corto: 1, Largo: 9	
③	Cable de vídeo.....	1	• Para el accesorio del soporte de montaje.....	Largo: 6	
④	Cable de audio (estéreo)	1	• Para accesorio para evitar la desconexión del enchufe CC	Corto: 1, Largo: 1	
⑤	Accesorios para el soporte de montaje	1 para la izquierda y 1 para la derecha	• Para el protector de tarjeta de memoria IC.....	Largo: 2	
⑥	Accesorio para evitar la desconexión del enchufe CC	uno para A y otro para B	⑩	Instrucciones de funcionamiento	1
⑦	Protector de tarjeta de memoria IC	1			



1 FUNCIONES PRINCIPALES

1. El DN-V1700 utiliza una tarjeta de Memoria Flash como medio de reproducción, consiguiendo así un funcionamiento de alto rendimiento sin mover el mecanismo. (Durante el funcionamiento de la tarjeta IC.)
2. Varios I/O y terminales de control están preparados en un tamaño montable de soporte 1U.
3. La unidad utiliza el formato MPEG aceptado globalmente para un ratio de alta compresión y con una calidad de vídeo y de audio superiores.
4. El DN-V1700 también es compatible con la reproducción de audio lineal PCM.
5. Algunos controles de reproducción están confeccionados en el idioma de guiones (de programación).
6. Sincronización del marco de vídeo por VITC.
7. El DN-V1700 está equipado con una función de servidor FTP mediante el conector 10 Base-T/100 Base-TX Ethernet.
8. Está equipado con el conector de serie RS232C/RS422A (activable).
9. Terminal paralelo I/O para el controlador externo y operaciones de inventario.
10. La unidad DN-V1700 está equipada con una unidad de disco duro de 2,5 pulgadas de tamaño.

2 PRECAUCIONES DURANTE SU USO

Condensación

Definición

La condensación es el mismo fenómeno que se produce cuando se forman gotas de agua en las ventanas de una habitación con calefacción durante el invierno.

Condiciones que provocan condensación

Si se traslada el equipo desde el exterior frío en invierno a una habitación con una temperatura alta, o si la temperatura de la habitación en la que está colocado el equipo sube de repente debido al uso de un calefactor, por ejemplo, se formarán gotas de agua en las piezas operativas del interior del equipo y éste dejará de funcionar normalmente.

La condensación también puede formarse en verano si el equipo queda expuesto a la corriente que sale directamente desde el aparato de aire acondicionado. Si esto es así, cambie la ubicación del equipo.



Qué hacer si aparecen restos de condensación

Si aparecen restos de condensación, deje el equipo apagado durante un tiempo. (Normalmente, el equipo volverá a estar operativo en una o dos horas, aunque esto depende de las condiciones ambientales.)

Copias de seguridad de la información

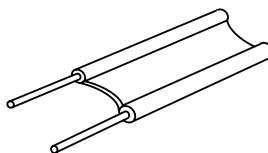
Si el medio de reproducción (disco duro, unidad, etc.) falla, no podrá recuperar los datos que contenga. Le recomendamos que realice copias de seguridad de la información que disponga. Le rogamos que realice una copia de seguridad de la información que tenga en el disco duro antes de iniciar una reparación del equipo. Tenga en cuenta que Denon no aceptará ninguna responsabilidad de ningún tipo por la pérdida o cambios en la información durante las reparaciones.

Al transportar la unidad

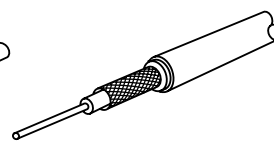
Desactive la alimentación, desconecte el cable de alimentación, y desconecte todos los cables de conexión externa (cables de conexión a otros dispositivos, etc.) antes de transportar la unidad. Si no se siguen las instrucciones anteriores esto puede ocasionar daños en los cables, incendios o descargas eléctricas. Tenga cuidado también de no dejar caer la unidad ni golpearla con nada, pues esto puede hacer que la unidad se dañe.

Precauciones durante la instalación

- Usar el equipo o cualquier otro equipo electrónico, incluyendo microprocesadores, al mismo tiempo que un aparato de radio o una TV, puede dar como resultado ruido en el sonido del aparato de radio o TV, así como alteraciones en la imagen de la TV. Si esto ocurre, tome las siguientes medidas:
 - Mueva el equipo tan lejos del aparato de radio o de la TV como sea posible.
 - Mueva la antena del aparato de radio o TV alejándola del cable eléctrico del equipo y de los cables de conexión de entrada/ salida (cables macho-hembra).
 - El ruido o las alteraciones en la imagen tienden a aparecer especialmente cuando se utilizan antenas interiores o cables de debilitamiento de señal de 300 Ω /ohmios. Recomendamos utilizar una antena externa y un cable coaxial de 75 Ω /ohmios.



Cable de debilitamiento de señal de 300 Ω /ohmios

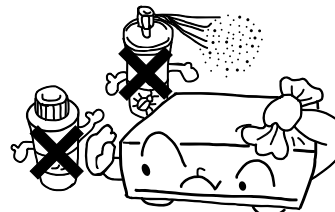


Cable coaxial de 75 Ω /ohmios

- El juego está equipado con una unidad de disco duro. No lo utilice cerca de dispositivos que generen campos magnéticos (altavoces, etc.).

Limpieza

- Para eliminar la suciedad del equipo o del panel de control, frótelos ligeramente con un trapo suave.
 - Antes de utilizar un trapo empapado con algún producto químico, lea su apartado de precauciones.
- La exposición del equipo a bencina, diluyentes y cualquier otro disolvente orgánico o pesticida puede dañar la superficie. Evite el uso de estos productos.



3 LISTA DE TARJETA DE MEMORIA FLASH COMPATIBLE

Tarjeta que hay que utilizar (modo de reproducción)

- El DN-V1700 utiliza una tarjeta de Memoria Flash como medio de reproducción.
- Por favor, utilice un adaptador para utilizar una tarjeta Compact Flash.

Capacidad nominal	Lexar Media	Hagiwara Sys-com	Hagiwara Sys-com
	Compact Flash	Compact Flash	ATA
	Modelo	Modelo	Modelo
32 MB	CF032-200	CFC-032MBA (H00AB)	...
64 MB	CF064-200	CFC-064MBA (H00AA)	...
96 MB	...	CFC-096MBA (H00AB)	...
128 MB	CF128-12-360	CFC-128MBA (H00AA)	...
160 MB	CF160-12-360	CFC-160MBA (H00AB)	...
192 MB	CF192-12-360	CFC-192MBA (H00AB)	...
256 MB	CF256-12-360	CFC-256MBA (H00AA)	...
320 MB	CF320-12-360	CFC-320MBA (H00AB)	...
384 MB	...	CFC-384MBA (H00AA)	...
512 MB	CF512-12-360	CFC-512MBA (H00AA)	...
640 MB	ATC-640MBA (H00AA)
768 MB	ATC-768MBA (H00AA)
1024 MB	ATC-1G02BA (H00AA)
1280 MB	ATC-1G28BA (H00AA)
1536 MB	ATC-1G53BA (H00AA)
1792 MB	ATC-1G79BA (H00AA)
2048 MB	ATC-2G04BA (H00AA)

*1) Compact Flash™ es una marca registrada de SanDisk.

- * La tabla anterior es válida desde mayo de 2002. Puede que haya tarjetas que ya no se fabriquen o que ya no se vendan.
- * El DN-V1700 no es compatible con una tarjeta de memoria con una capacidad inferior a 32 MB.

NOTA:

Al contrario que las cámaras fijas digitales, el DN-V1700 accede continuamente a enormes cantidades de datos, por lo que los requisitos técnicos para la selección de la tarjeta de Memoria Flash son mayores. Algunas tarjetas de Memoria flash disponibles en el mercado no cumplen el requisito de tasa de transferencia de datos, y enumeramos aquí las tarjetas de memoria que tienen una velocidad de acceso suficiente. Si se utiliza una tarjeta de memoria que no aparezca aquí, puede ocurrir que la reproducción salte aleatoriamente o incluso se detenga, o que la reproducción resulte imposible.

4 CONTENIDOS DE MEDIO DE REPRODUCCIÓN

(1) Formato

■ Tipo de formato

El DN-V1700 acepta medios formateados con FAT 16 y FAT 32, y medios formateados con otros tipos tales como FAT 12 o NTFS no funcionarán con el DN-V1700.

El tamaño del cluster debería ser de 2kB o mayor.

Por favor, utilice FAT 16. Si el medio es mayor de 2GB, por favor utilice FAT 32.

Sólo se reconoce la partición primaria. No cree una partición más amplia.

■ Tamaño del cluster

El tamaño del cluster es la unidad más pequeña de datos al escribir en tarjetas de Memoria Flash.

El tamaño del cluster puede cambiar cuando las tarjetas se formatean en PCs o en cualquier otro dispositivo que no sea el DN-V1700.

(2) Imagen de vídeo / fija y formatos de audio

El DN-V1700 corresponde al siguiente formato.

■ Formato de archivo de VÍDEO y AUDIO [los nombres de archivos reciben la extensión: mpg]

Sistema: ISO/IEC 13818-1 MPEG2 PS (Flujo de programa)

CBR (transmisión de bits constante) o VBR (transmisión de bits variable) Máx. 10 Mbps*

VÍDEO: ISO/IEC 13818-2 MPEG2 MP@ML 720 x 480 (NTSC)

AUDIO: ISO/IEC 11172-3 MPEG1 – Audio Layer 2 (Capa de audio 2)

Frecuencia de muestreo: 48 kHz, 44,1 kHz

Tamaño de archivo: Entre 2 MB y 2 GB

■ Formato de archivo de VÍDEO (sin AUDIO) [los nombres de archivos reciben la extensión: mpv]

VIDEO: ISO/IEC 13818-2 MPEG2 MP@ML ES (Corriente elemental) 720 x 480 (NTSC)

CBR (transmisión de bits constante) o VBR (transmisión de bits variable) Máx. 10 Mbps*

Tamaño de archivo: Entre 2 MB y 2 GB

■ Formato de archivo de imagen fija [los nombres de archivos reciben la extensión: mpi]

Imagen fija: ISO/IEC 13818-2 MPEG2 MP@ML ES (Corriente elemental) 720 x 480 (NTSC)

Sólo 1 marco (imagen dentro de marco)

Tamaño de archivo: Entre 4 kB y 224 kB

■ Formato de archivo de AUDIO (sin VÍDEO)

AUDIO: ISO/IEC 11172-3 MPEG1 – Audio Layer 2 (Capa de audio 2)

Frecuencia de muestreo: 48 kHz, 44,1 kHz

[Los nombres de archivos reciben la extensión: mpa]

o

AUDIO: PCM lineal de 16 bits

Frecuencia de muestreo: 48 kHz, 44,1 kHz

[Los nombres de archivos reciben la extensión: wav]

Tamaño de archivo: El tiempo de reproducción es de 2 segundos o más. MÁX 2 GB

* Notas especiales

- 1) Tal y como se menciona en la nota de la página 72, puede que el funcionamiento con la transmisión de bits máxima no sea posible si utiliza una tarjeta de memoria con una menor velocidad de acceso.
- 2) También deberá prestar atención a la calidad del codificador de vídeo.
Aunque utilice una tarjeta de memoria de gran calidad y una mayor transferencia de bits, el uso de un sistema de codificación de baja calidad puede hacer que la reproducción del vídeo sea intermitente o de baja calidad.

(3) Directorios y organización de archivos

Para que el DN-V1700 funcione adecuadamente, los datos deberían escribirse en el medio en los directorios indicados y de la forma especificada.

No se deberían crear directorios que no sean los recomendados aquí.

■ Nombre del archivo

Un nombre de archivo está compuesto por ocho caracteres o menos de ocho con caracteres alfanuméricos, según el código ASCII.

El nombre de archivo largo (VFAT) no es compatible.

Número: de 0 a 9, Alfabeto: A a la Z, Símbolo: _

■ Extensión

- Corriente del programa de VÍDEO y AUDIO: mpg
- Corriente elemental de VÍDEO (sin AUDIO): mpv
- Imagen fija: mpi
- Audio de capa 2 MPEG1 de AUDIO (sin VÍDEO): mpa
- PCM lineal de 16 bits de AUDIO (sin VÍDEO): wav
- Archivo de script (archivo de lista de reproducción): dsc

■ Directorios

Todos los archivos sólo deberían almacenarse en los siguientes directorios.

No servirán nombres de archivos duplicados.

El número máximo de archivos del directorio de VÍDEO, SCRIPT y AUDIO es 999.

El número máximo de archivos de un directorio de PICTURE es 9999.

Por favor, asegúrese de crear los directorios de VÍDEO, SCRIPT, AUDIO e PICTURE independientemente de la existencia de un archivo (si el medio está formateado por el DN-V1700, los directorios se crearán de forma automática).

El directorio SYS es utilizado por el equipo DN-V1700 para guardar los puntos de registro, etc.

- * DN-V1700 reconoce fs = 48 kHz y 44.1 kHz para archivos de audio mpg, mpa y wav.

Es recomendable, sin embargo, que se ajuste a cualquiera de las frecuencias de muestra.

El DN-V1700 necesitará 1 segundo para cambiar el modo de frecuencia de muestra.

```

\ROOT
├── \VIDEO
│   ├── ***.mpg (MPEG2-PS (VÍDEO y AUDIO))
│   └── ***.mpv (MPEG2-ES (VÍDEO (sin AUDIO)))
├── \AUDIO
│   ├── ***.mpa (AUDIO de capa 2 MPEG1 (sin VÍDEO))
│   └── ***.wav (AUDIO PCM lineal de 16 bits (sin VÍDEO))
├── \PICTURE
│   └── ***.mpi (MPEG2-ES (imagen fija))
├── \SCRIPT
│   └── ***.dsc (archivo script (archivo de lista de reproducción))
└── \SYS
    └── ***.log (archivo de registro)
  
```

(4) Tiempo de reproducción

El tiempo de reproducción en la unidad DN-V1700 depende de la capacidad de la tarjeta y de la tasa de transferencia de bits de la reproducción.

A continuación tiene una descripción de los métodos básicos para el cálculo del tiempo de reproducción y algunos ejemplos.

■ **Vídeo + audio**

Transferencia de bits de la reproducción de vídeo (kbps) x tiempo de reproducción (seg.) = capacidad de la porción de vídeo
 Transferencia de bits de la reproducción de audio (kbps) x tiempo de reproducción (seg.) x 2 (2 canales, izquierdo y derecho) = capacidad de la porción de audio
 Capacidad de la porción de vídeo + capacidad de la porción de audio = Capacidad total (kbit)
 Capacidad total (kbit) ÷ 8 = Capacidad total (kByte)
 Capacidad total (kByte) ÷ 1024 = Capacidad total (capacidad de tarjeta necesaria) (MByte)

■ **Sólo vídeo**

Transferencia de bits de la reproducción de vídeo (kbps) x tiempo de reproducción (seg.) = Capacidad total (kbit)
 Capacidad total (kbit) ÷ 8 = Capacidad total (kByte)
 Capacidad total (kByte) ÷ 1024 = Capacidad total (capacidad de tarjeta necesaria) (MByte)

■ **Imágenes fijas**

Capacidad de imágenes fijas por imagen (kbit) ÷ 8 = Capacidad total (kByte)
 Capacidad total (kByte) ÷ 1024 = Capacidad total (capacidad de tarjeta necesaria) (MByte)

■ **Sólo audio (MPEG1 Audio Layer 2)**

Transferencia de bits de la reproducción de audio (kbps) x tiempo de reproducción (seg.) x 2 (2 canales, izquierdo y derecho) = Capacidad total (kbit)
 Capacidad total (kbit) ÷ 8 = Capacidad total (kByte)
 Capacidad total (kByte) ÷ 1024 = Capacidad total (capacidad de tarjeta necesaria) (MByte)

■ **Sólo audio (PCM lineal de 16 bits)**

16 (bits) x frecuencia de muestreo (kHz) x tiempo de reproducción (seg.) x 2 (2 canales, izquierdo y derecho) = Capacidad total (kbit)
 Capacidad total (kbit) ÷ 8 = Capacidad total (kByte)
 Capacidad total (kByte) ÷ 1024 = Capacidad total (capacidad de tarjeta necesaria) (MByte)

[Ejemplo] Cálculos de las capacidades necesarias

Contenido grabado	Grabar transferencia de bits	Tiempo de grabación (ejemplo)	Capacidad	Fórmula
Vídeo + audio	3 Mbps (incluyendo 128 kbps x 2 canales de audio)	2 min.	45 MB	$3 \times 120 \div 8 = 45$
	8 Mbps (incluyendo 128 kbps x 2 canales de audio)	2 min.	120 MB	$8 \times 120 \div 8 = 120$
Sólo audio	MPEG 128 kbps	60 min.	113 MB	$128 \times 3600 \times 2 \div 8 \div 1024 = 113$
	PCM lineal de 16 bits 48 kHz	10 min.	225 MB	$16 \times 48 \times 600 \times 2 \div 8 \div 1024 = 225$
Imágenes fijas	100 kB x n° de imágenes	500	49 MB	$100 \times 500 \div 1024 = 49$
Imágenes fijas + audio	100 kB x n° de imágenes Audio MPEG 128 kbps	500 60 min.	162 MB	$100 \times 500 \div 1024 + 128 \times 3600 \div 8 \div 1024 = 162$

5 PREPARATIVOS

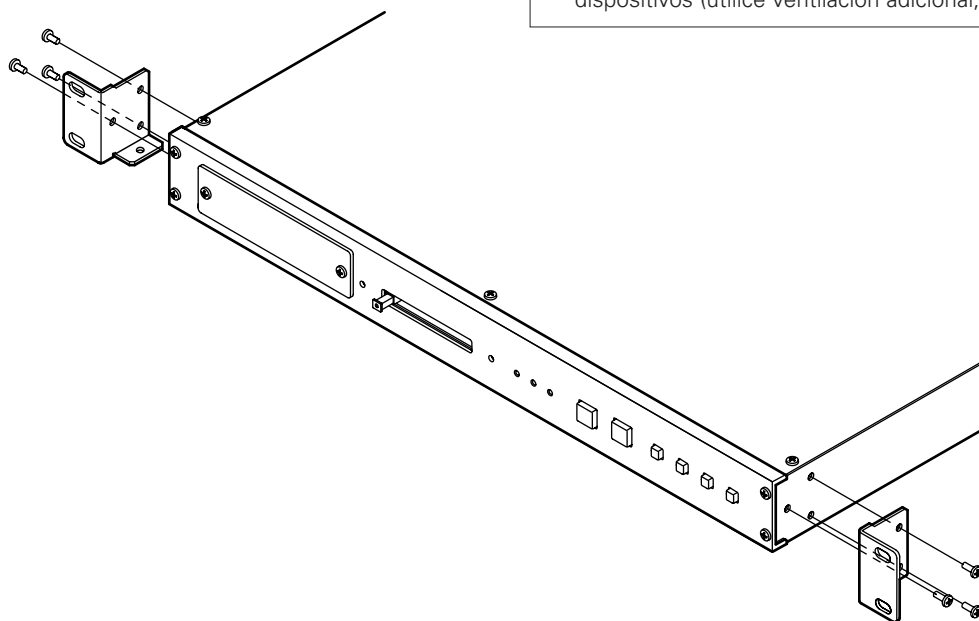
- Comprobación de los accesorios
Comprobar que todos los accesorios están incluidos, consultar la sección "Accesorios".
- Montaje del soporte
El equipo DN-V1700 utiliza un chasis de soporte de montaje (1U).
Utilice el accesorio del soporte de montaje tal y como se muestra a continuación para montar el equipo DN-V1700 en un soporte de montaje de tipo 1U.

NOTA:

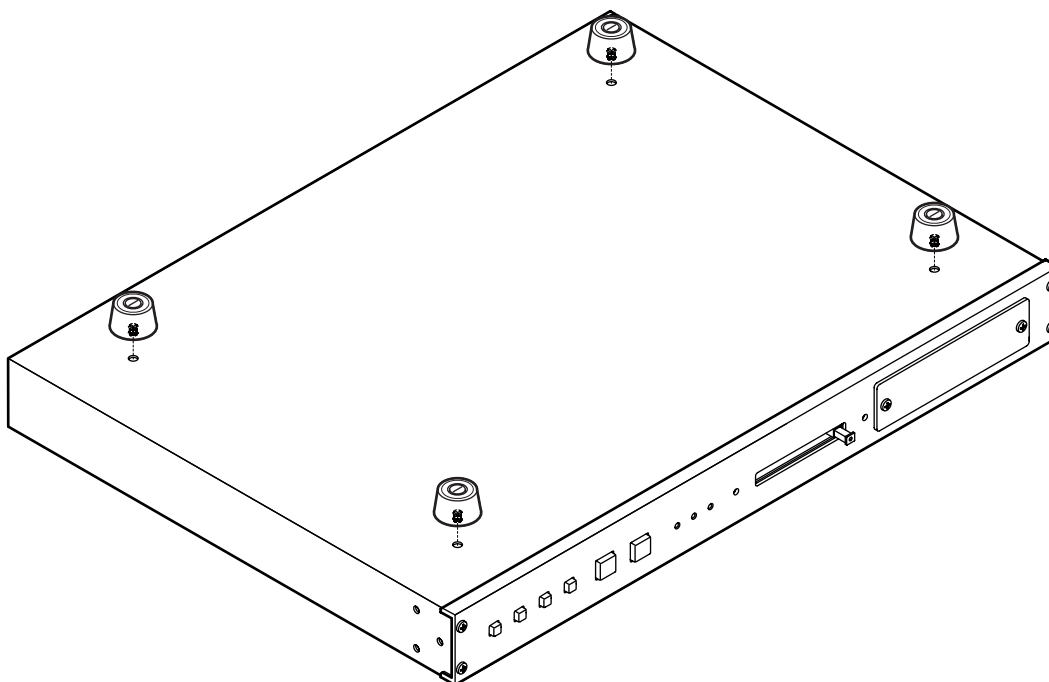
Al montar el equipo DN-V1700 en el soporte, asegúrese de que utiliza los raíles de guía o las placas de los estantes, etc., en el lateral del soporte para evitar que se aplique peso directamente sobre la parte delantera del equipo DN-V1700.

El peso del equipo DN-V1700 no puede ser soportado únicamente con los accesorios de montaje.

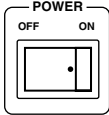
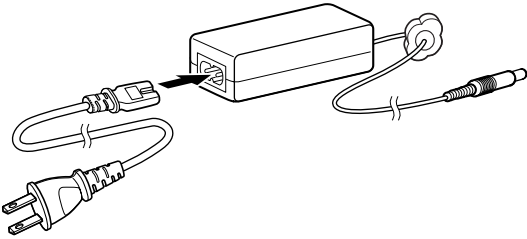
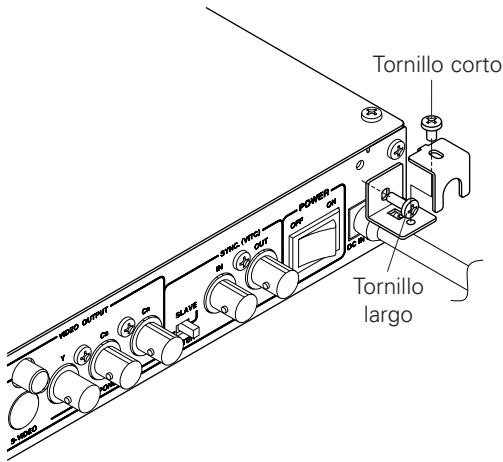
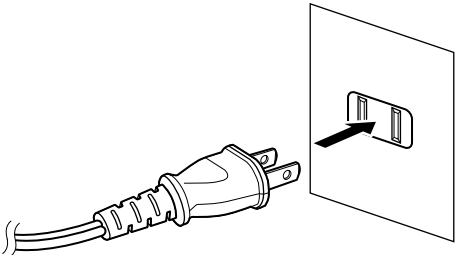
Tenga también en cuenta el entorno del lugar de instalación, por ejemplo, el calor desprendido por otros dispositivos (utilice ventilación adicional, etc.).



- Montaje de los pies
Coloque los pes en los orificios situados en la parte de abajo del equipo y empújelos hacia el centro para insertarlos por completo.
* Los pies quedan ajustados al equipo mediante presión, así que no pueden quitarse una vez que se han montado.



■ Conexión del adaptador CA

<p>1</p>		<p>Coloque el interruptor de alimentación del equipo DN-V1700 en la posición OFF.</p>
<p>2</p>		<p>Inserte la toma del cable de alimentación en la entrada CA del adaptador CA.</p>
<p>3</p>		<p>Inserte el enchufe CC del adaptador CA en la clavija DC IN del equipo DN-V1700. Monte el accesorio para evitar la desconexión del enchufe CC (A y B), de modo que el enchufe CC no pueda desconectarse.</p>
<p>4</p>		<p>Enchufe el cable de alimentación en una toma de alimentación.</p>

Precauciones sobre el Adaptador CA

- Asegúrese de utilizar el adaptador CA incluido con el equipo.
- Asegúrese de colocar el interruptor de alimentación del equipo DN-V1700 en la posición OFF cuando enchufe y desenchufe el adaptador CA.
- Tenga en cuenta que si enchufa el adaptador CA mientras tiene activado la alimentación, podría dañar el equipo o la tarjeta de memoria IC.
- No estire del cable de alimentación CC con excesiva fuerza mientras los accesorios para evitar la desconexión del enchufe CC (A y B) están conectados. Si lo hace, dañará el cable de alimentación CC y, posiblemente, también el equipo.

6 NOMBRE Y FUNCIONES DE LAS PIEZAS (Véase la página 3.)

(1) Panel frontal

- 1 **Disco duro interno**
Ésta es la unidad de disco duro interna.
- 2 **Botón de expulsión de la tarjeta de memoria IC (EJECT)**
Pulse este botón para expulsar la tarjeta de memoria IC. Asegúrese de que se ejecuta el modo parada o de que el equipo está desconectado antes de expulsar la tarjeta de memoria IC. En particular, no expulse nunca la tarjeta cuando la luz de acceso de la tarjeta de memoria IC esté parpadeando o encendida (excepto cuando la luz de acceso esté parpadeando para indicar un error).
Si la operación de expulsión se realiza cuando se está accediendo a la tarjeta, puede que se pierdan los datos y que el equipo sufra daños. Si esto ocurre, "reboot!!!", lo que detendrá la salida de vídeo del equipo y éste podrá ser obligado a reiniciarse.
- 3 **Ranura para tarjeta de memoria IC (unidad)**
Aquí es donde se inserta la tarjeta de memoria IC. Asegúrese de cargar de forma segura la tarjeta de memoria IC.
- 4 **Indicador de alimentación (POWER)**
Se ilumina cuando se activa la alimentación del equipo.
- 5 **Luz de acceso a la tarjeta de memoria IC (ACCESS PCC)**
Se ilumina o parpadea cuando se accede a la tarjeta de memoria IC.
- 6 **Luz de acceso al disco duro (ACCESS HDD)**
Se ilumina o parpadea cuando se accede al disco duro.
- 7 **Botón Reproducir/Pausa (PLAY/PAUSE)**
En el modo de reproducción normal y con un archivo seleccionado, pulse este botón en el modo de parada o pausa para iniciar la reproducción. Cuando se pulsa durante la reproducción, se establece el modo pausa.
- 8 **Botón Parada (STOP)**
Pulse este botón para detener la reproducción. Durante la reproducción de un script, pulse el botón durante 2 segundos o más para detener la reproducción del script.
- 9 **Botón Salto (SKIP ◀◀)**
Pulse este botón para buscar el archivo anterior en el orden actual de reproducción.
- 10 **Botón Salto (SKIP ▶▶)**
Pulse este botón para buscar el archivo siguiente en el orden actual de reproducción.
- 11 **Botón Visualización en pantalla/Ajuste horario (OSD/TIME SET)**
Pulse este botón para activar y desactivar la función OSD (Visualización en pantalla). Utilice este botón junto con el botón STOP para ajustar la hora.
- 12 **Botón Seleccionar (SELECT)**
Utilice este botón para cambiar el directorio actual. Utilice este botón junto al botón STOP para cambiar la unidad actual.

(2) Panel posterior

- 1 **Terminal remoto en paralelo (PARALLEL REMOTE)**
Esto es un terminal para control paralelo desde un dispositivo externo.
- 2 **Terminal remoto en serie (SERIAL REMOTE)**
Esto es un terminal para control en serie desde un dispositivo externo.
Utilice un cable directo para la conexión a un ordenador.
- 3 **Interruptor de selección RS232C/RS422A**
Utilice este interruptor para seleccionar la interfaz del terminal SERIAL REMOTE.
Gire hacia atrás para RS422A, y hacia adelante para RS232C.
- 4 **Terminal ETHERNET**
Esto es un conector LAN 10 Base-T/100 Base-TX.
- 5 **Terminal de salida de audio digital (DIGITAL AUDIO OUTPUT)**
Ésta es una salida de audio digital SPDIF. Conecte un amplificador, etc., que permita la entrada de sonido digital.
- 6 **Terminal de salida de audio analógico (ANALOG AUDIO OUTPUT) (XLR)**
Ésta es una salida de audio analógico de tipo equilibrado utilizando un conector de tipo XLR.
[Disposición de los contactos] 1: Masa (G)
2: Con (H)
3: Sin (C)
- 7 **Terminal de salida de audio analógico (ANALOG AUDIO OUTPUT) (RCA)**
Ésta es una salida de audio analógico. Conéctela a un amplificador o altavoz principal con una entrada de audio analógico utilizando un cable RCA macho-hembra.
- 8 **Terminal de salida de vídeo compuesto (COMPOSITE VIDEO OUTPUT) (BNC)**
Ésta es una salida de vídeo compuesto. Conéctela a un monitor equipado con una entrada de vídeo compuesto, utilizando un cable BNC de 75 Ω/ohmios. El dispositivo conectado debe tener un remate de 75 Ω/ohmios.

9 Terminal de salida de vídeo compuesto (COMPOSITE VIDEO OUTPUT) (RCA)

Ésta es una salida de vídeo compuesto. Conéctela a un monitor equipado con una entrada de vídeo compuesto, utilizando un cable RCA de 75 Ω/ohmios. El dispositivo conectado debe tener un remate de 75 Ω/ohmios.

10 Terminal de salida S-VIDEO (S-VIDEO OUTPUT)

Esto es un terminal de salida de S-Video. Conéctelo a un monitor equipado con un terminal S-Video, utilizando un cable de S-Video.

11 Terminal de salida de vídeo componente (COMPONENT VIDEO OUTPUT)

Ésta es una salida de vídeo componente. Conéctela a un monitor equipado con una entrada de este tipo.

12 Interruptor de selección Maestro/Esclavo (MASTER/SLAVE)

Utilice este interruptor para seleccionar el modo de funcionamiento del equipo, MASTER o SLAVE. Esta configuración se detecta cuando se enciende el equipo, de modo que si este manipula este interruptor, apague y vuelva a encender el equipo.

13 Terminal de entrada VITC (VITC IN)

Éste es el terminal de entrada VITC para el funcionamiento del equipo en modo esclavo. Tiene un remate de 75 Ω/ohmios. El nivel de la señal de entrada es de 1Vp-p.

14 Terminal de salida VITC (VITC OUT)

Éste es el terminal de entrada VITC. Esta salida se utiliza para la sincronización con otro dispositivo.

15 Interruptor de alimentación (POWER)

Ajuste este interruptor a la posición ON para encender el equipo.

16 Terminal de entrada CC (DC IN)

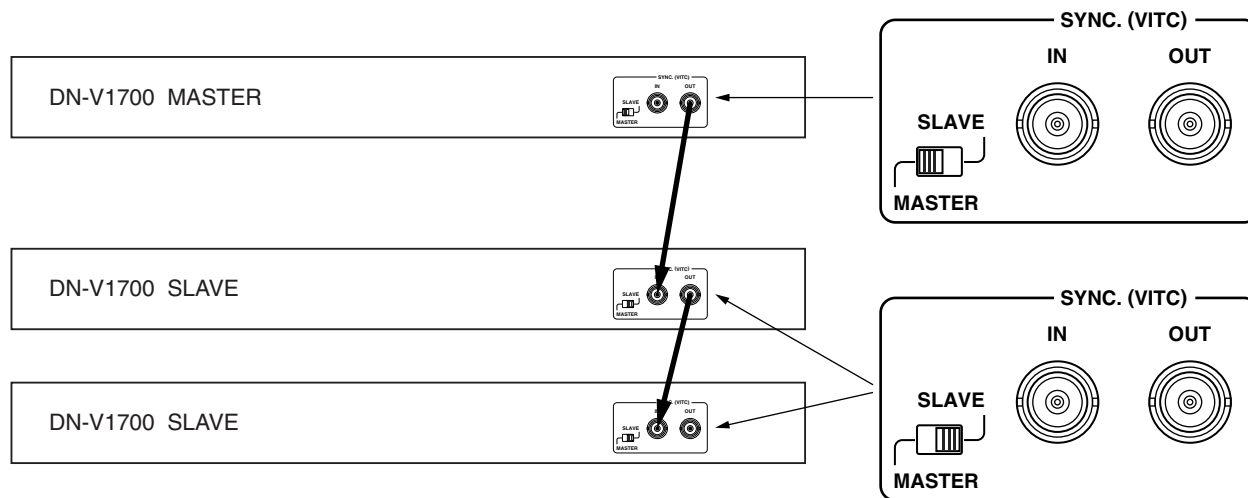
Éste es el terminal de entrada de alimentación. Conecte aquí el adaptador CA incluido.

7 CONEXIONES DE SINCRONIZACIÓN

El equipo DN-V1700 permite una reproducción sincronizada en unidades de fotogramas utilizando las señales externas de códigos de tiempo VITC. La reproducción sincronizada también es posible utilizando una función de generación esclava que genere códigos de tiempo sincronizados para las señales de vídeo (señales de sincronización verticales/horizontales), sin incluir las señales de código de tiempo VITC.

Sólo cuando utilice el equipo DN-V1700 como dispositivo esclavo de otro dispositivo equipado con la función de generación de señales VITC, ajuste el selector MASTER/SLAVE del panel posterior a la posición SLAVE. En el resto de casos (cuando no se sincronice el equipo DN-V1700 con ningún otro dispositivo que utilice las señales VITC del equipo DN-V1700), ajuste el selector MASTER/SLAVE a la posición MASTER.

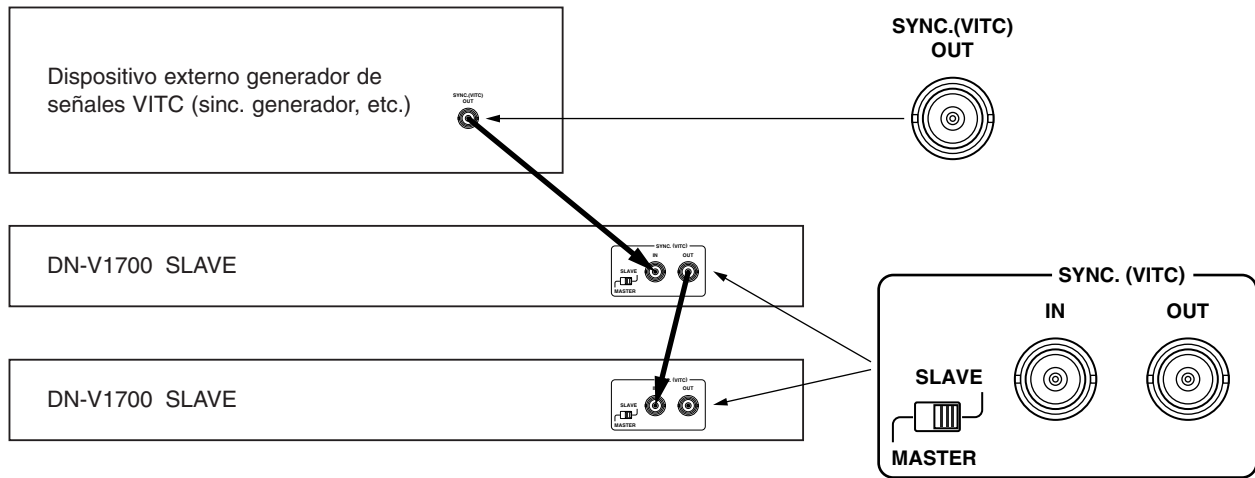
[Ejemplo de conexiones - 1] Conexión de sincronización de tres equipos DN-V1700s



En este ejemplo, el código de tiempo generado por la unidad maestra se sincroniza con las dos unidades esclavas. Ajuste el selector MASTER/SLAVE de la unidad maestra a la posición MASTER, el selector de las unidades esclavas pasará a estar en la posición SLAVE.

* Cuando la ROM flash se ha ajustado en modo de generación esclavo mediante un comando de control externo de LAN o en serie, el modo de generación esclavo debe ser cancelado.

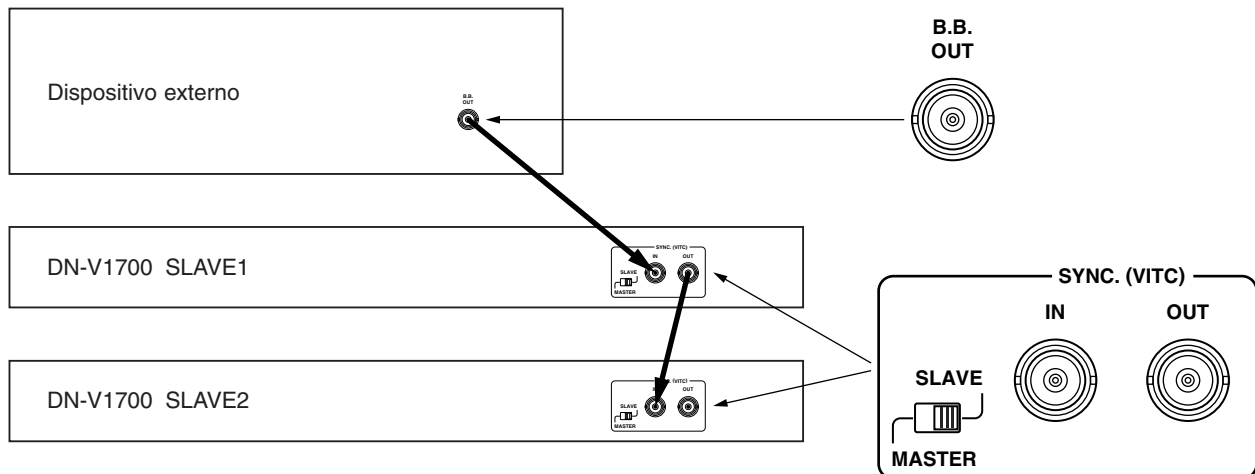
[Ejemplo de conexiones - 2] Utilizando un dispositivo externo como unidad maestra



En este ejemplo, un dispositivo con una salida VITC externa se utiliza como unidad maestra para sincronizar dos unidades esclavas.

* Cuando la ROM flash se ha ajustado en modo de generación esclavo mediante un comando de control externo de LAN o en serie, el modo de generación esclavo debe ser cancelado.

[Ejemplo de conexiones - 3] Sincronización de las señales de negro para vídeo (black burst) de un dispositivo externo, sin incluir las señales VITC



En este ejemplo, dos unidades esclavas están sincronizadas con las señales de negro para vídeo (black burst) de un dispositivo externo, sin incluir las señales VITC.

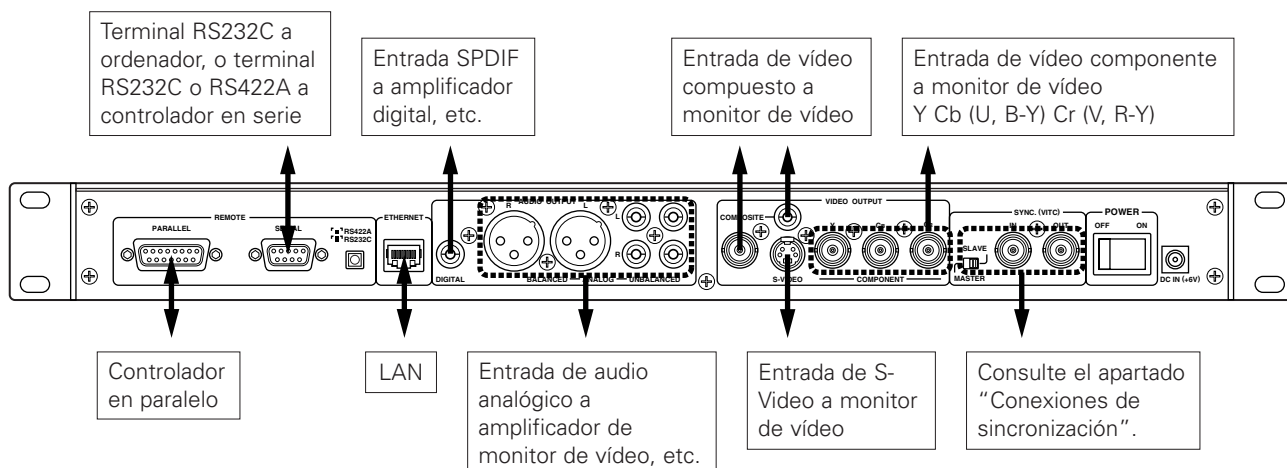
El primer equipo DN-V1700 genera señales VITC sincronizadas con las señales de sincronización verticales/horizontales incluidas en las señales de negro para vídeo de los dispositivos externos y emite las señales desde el terminal SYNC. (VITC) OUT.

* En este ejemplo, la ROM flash del equipo DN-V1700 esclavo 1 debe ajustarse al modo de generación esclavo mediante un comando de control externo de LAN o en serie.

NOTAS:

- La señal de código de tiempo del equipo DN-V1700 es compatible con los estándares VITC (Código de tiempo de intervalo vertical). No es compatible con los estándares LTC (Código de tiempo longitudinal).
- Si conecta el equipo DN-V1700 para sincronización como dispositivo maestro, el número máximo de unidades que podrán conectarse como unidades esclavas es de 4.
- Cuando se conectan varias unidades para su sincronización, si la alimentación de una de las unidades esclavas del centro de la cadena se apaga, no será posible la reproducción sincronizada en el resto de unidades esclavas.
- Si utiliza las señales de vídeo compuesto del dispositivo externo en lugar de las señales de negro para vídeo, puede que la sincronización sufra alteraciones debido a la gran fluctuación de corriente continua presente en la señal de vídeo.

8 CONEXIONES A DISPOSITIVOS EXTERNOS

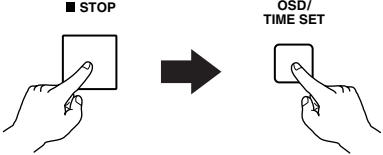
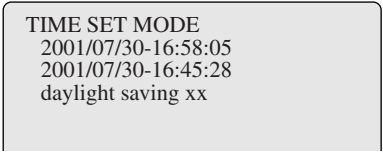
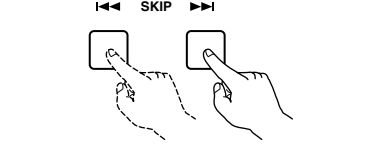
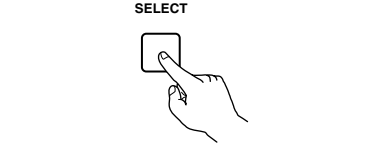
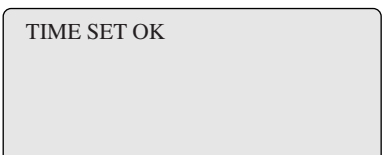


1. Conecte el terminal PARALLEL REMOTE al control en paralelo de conducción.
2. Conecte el terminal SERIAL REMOTE al control en serie de conducción externo.
 - * 1) Utilice un cable en serie directo para la conexión a un ordenador.
 - * 2) Este terminal es válido para RS232C y RS422A. Asegúrese de ajustar el selector RS232C/RS422A a la posición adecuada.
3. Conecte el terminal ETHERNET al control de conducción LAN 10 Base-T/100 Base-TX.
4. Conecte el terminal DIGITAL AUDIO OUTPUT para utilizar la salida de audio digital.
5. Conecte los terminales ANALOG AUDIO OUTPUT para utilizar la salida de audio analógico.
 - * 1) Hay tres conjuntos de salidas de audio analógico que sacan las mismas señales de audio: dos conjuntos de salidas RCA y una de salidas XLR.
6. Utilice el terminal COMPOSITE VIDEO OUTPUT para conectar el equipo DN-V1700 a la entrada de vídeo compuesto de un monitor de vídeo (TV, etc.).
 - * 1) Para conectar un dispositivo distinto a un monitor de vídeo, el dispositivo debe tener una terminación de 75 Ω /ohmios.
 - * 2) Los terminales BNC y RCA sacan la misma señal de vídeo compuesto.
7. Utilice el terminal S-VIDEO OUTPUT para conectar el equipo DN-V1700 a un monitor de vídeo (TV, etc.) con una entrada de S-Video. La señal de brillo (Y) y la señal de diferencia de color (C) salen por separado, dando como resultado una imagen más definida que con la señal de vídeo compuesto.
8. Utilice la terminal COMPONENT VIDEO OUTPUT para conectar el equipo DN-V1700 a un monitor de vídeo (TV, etc.) con una entrada de vídeo componente. La señal de brillo (Y) y las señales de diferencia de color (C) se dividen y las diferentes señales de diferencia de color salen por separado, lo que da como resultado una imagen más definida que con la señal de vídeo compuesto o S-Video.

9 CONFIGURACIÓN DEL RELOJ INTERNO

La unidad DN-V1700 está equipada con un reloj interno. Configure el reloj interno antes de utilizar la unidad DN-V1700. El reloj puede configurarse utilizando los controles de la unidad DN-V1700 o mediante control a través del puerto de serie. Para obtener más detalles sobre el control a través del puerto de serie, consulte la sección "14 Terminal de control remoto en serie".

- Configure la fecha y la hora utilizando los controles de la unidad DN-V1700
Conecte la salida de vídeo de la unidad DN-V1700a un monitor externo y encienda la unidad.

<p>1</p>		<p>En el modo de parada, pulse el botón OSD/TIME SET mientras pulsa el botón STOP.</p> <p>* Con el modo de bloqueo de clave activado, cancele el modo utilizando el comando en serie "KL".</p>
<p>2</p>		<p>Aparecerá el siguiente mensaje en el monitor externo: "TIME SET MODE" "yyyy/mm/dd-hh:mm:ss" "yyyy/mm/dd-hh:mm:ss" "daylight saving **" (ver nota más abajo) "yyyy" parpadea.</p>
<p>3</p>		<p>Utilice el botón SKIP para establecer el año (D.C.).</p>
<p>4</p>		<p>Pulse el botón SELECT para desplazar la posición de los meses.</p>
<p>5</p>		<p>Repita los pasos 3 y 4 para ajustar la fecha y la hora.</p>
<p>6</p>		<p>Una vez finalizada la configuración, pulse el botón OSD/TIME SET. Aparecerá el mensaje "TIME SET OK" y la configuración habrá finalizado.</p> <p>* Pulse el botón STOP para cancelar la configuración.</p>

- Configuración rápida:
Pulse el botón PLAY/PAUSE después del paso 1 señalado anteriormente para reiniciar el contador de segundos a 0.
- Hora de ahorro de luz de día:
La configuración actual de la hora de ahorro de luz de día de la unidad DN-V1700 se indica en el paso 2 anterior "daylight saving **". Para cambiar la configuración, pulse el botón SELECT para hacer que la línea "daylight saving" parpadee, después pulse el botón PLAY/PAUSE. El reloj se adelantará una hora cuando la configuración cambie de "No" a "Yes", y se retrasará una hora cuando la configuración cambie de "Yes" a "No".
- Ajuste automático mediante SNTP:
Cuando la fecha y la hora se establecen mediante un servidor SNTP al conectarse a una red, se mostrará el mensaje "auto set by SNTP" en el paso 2 mencionado anteriormente. Utilice el botón SELECT para hacer que el mensaje "auto set by SNTP" parpadee, después pulse el botón PLAY/PAUSE. Ahora, la hora puede ajustarse mediante SNTP.

NOTA:

Cuando se realice la configuración arriba señalada, recomendamos repetir la operación en el paso 1 para comprobar la hora actual. Se utiliza un supercapacitor para mantener en funcionamiento el reloj interno de la unidad DN-V1700 incluso cuando se apaga la unidad. El reloj seguirá funcionando durante 7 días después de haber apagado la unidad (siempre que la unidad haya estado encendida al menos una hora antes de haberse apagado por última vez). Si el reloj deja de funcionar, la fecha y la hora se reiniciarán con los valores "2000/1/1 00:00:00".

10 INDICADORES LED DE LA UNIDAD PRINCIPAL

Los indicadores LED de la unidad principal indican lo siguiente:

LED	Significado				
	En modo de parada	En modo de reproducción (sin incluir la reproducción de scripts)	Durante la reproducción de scripts	En modo de pausa/reproducción detenida	Cuando aparece un error
PLAY/PAUSE	Off	Encendido	Encendido o parpadeando (rápido o lento)	Parpadeo lento	Parpadeo lento
STOP	Encendido	Off	Off	Off	
POWER	Indica el modo de alimentación de la unidad. Encendido cuando la unidad está activada.				
ACCESS PCC	Indica que se está accediendo a la ranura (unidad) de la tarjeta PC. Se enciende o parpadea cuando se accede a la ranura (unidad) de tarjeta PC.				Se ilumina cuando se produce un error en la unidad.
ACCESS HDD	Indica que se está accediendo al disco duro. Se enciende o parpadea cuando se accede al disco duro.				

11 ACTUAL

■ Actual

Actual se refiere a la posición actual de la unidad, directorio o archivo.

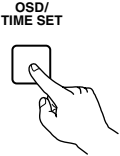
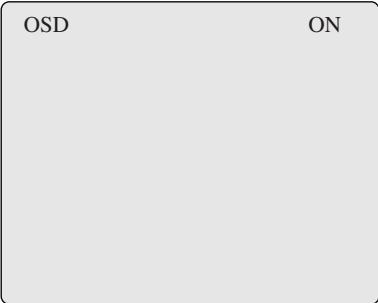
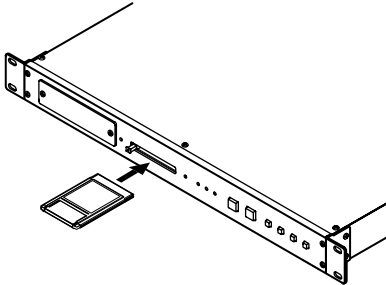
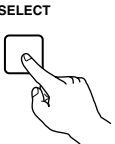
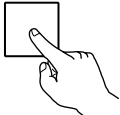
1. Unidad actual
Se refiere a la unidad que está siendo controlada actualmente.
2. Directorio actual
Se refiere al directorio que está siendo controlado actualmente.
3. Archivo actual
Se refiere al archivo que está siendo controlado actualmente.

12 REPRODUCCIÓN UTILIZANDO LOS CONTROLES DE LA UNIDAD PRINCIPAL

El siguiente proceso describe cómo configurar manualmente la reproducción utilizando los controles de la unidad DN-V1700. Antes de hacer esto, prepare un medio de grabación en el que sus contenidos estén grabados tal y como se describía en la sección "4 Contenidos de medio de reproducción".

■ Reproducción

Conecte la salida de vídeo de la unidad DN-V1700a un monitor externo y encienda la unidad.

<p>1</p>	 <p>OSD/ TIME SET</p>	<p>En el modo de parada, pulse el botón OSD/TIME SET.</p>
<p>2</p>	 <p>OSD ON</p>	<p>"OSD ON" aparecerá en el monitor externo.</p>
<p>3</p>		<p>Inserte el medio de grabación en la ranura (unidad). La luz de ACCESS se iluminará. Espere hasta que se apague.</p>
<p>4</p>	 <p>SELECT</p>	<p>Pulse el botón SELECT. El visualizador cambia en el siguiente orden. "VIDEO", "AUDIO", "PICTURE", "SCRIPT". Muestra el directorio que contiene el archivo que desea reproducir.</p>
<p>5</p>	 <p>▶PLAY / PAUSE</p>	<p>Pulse el botón PLAY/PAUSE. Se inicia la reproducción.</p> <p>* Si no hay ningún archivo que reproducir, "!" aparecerá y la configuración seguirá en modo parada.</p>

* Puede iniciarse la reproducción sin pulsar el botón OSD/TIME SET, pero en este caso la visualización del directorio en el paso 4 no se mostrará, de modo que cuente el número de veces que pulsa el botón SELECT para saber qué directorio ha seleccionado.

En la unidad DN-V1700, el modo de reproducción puede ajustarse mediante un control en serie, en cuyo caso, la operación de reproducción es como se describe a continuación.

Cuando se ejecuta un control en serie durante la reproducción, la reproducción repetida o continua finalizan.

	Orden de clasificación	Modo único	Modo repetir	
1	Ascendente	OFF	OFF	Los archivos del directorio se reproducen en orden alfabético ascendente. * Configuración predeterminada
2			ON	Los archivos del directorio se reproducen de forma repetida en orden alfabético ascendente.
3		ON	OFF	Sólo se reproduce un archivo.
4			ON	Se reproduce un archivo de forma repetida.
5	Descendente	OFF	OFF	Los archivos del directorio se reproducen en orden alfabético descendente.
6			ON	Los archivos del directorio se reproducen de forma repetida en orden alfabético descendente.
7		ON	OFF	Sólo se reproduce un archivo.
8			ON	Se reproduce un archivo de forma repetida.

■ Parar la reproducción

Para parar la reproducción, pulse el botón STOP.

Cuando se haya detenido la reproducción, el archivo que se estaba reproduciendo en ese momento queda como el archivo actual.

Para las imágenes, el modo fijo se establece en el momento en el que se detiene la imagen.

■ Reproducir el siguiente archivo

- En el modo de parada

Pulse el botón SKIP ►►►, después pulse el botón PLAY/PAUSE.

- En el modo de reproducción

Pulse el botón SKIP ►►►. Se reproducirá el siguiente archivo.

■ Para reproducir el archivo actual desde el principio o para reproducir un archivo anterior

- En el modo de parada

Pulse el botón SKIP ◀◀◀, después pulse el botón PLAY/PAUSE.

- En el modo de reproducción

Durante el segundo siguiente al inicio del archivo actual, pulse el botón SKIP ◀◀◀. Se reproducirá el archivo anterior. Si se pulsa el botón SKIP ◀◀◀ durante más de 1 segundo en el archivo actual, éste se volverá a reproducir desde el principio.

13 UNIDAD DE DISCO DURO INTERNO

■ Introducción

La unidad DN-V1700 está equipada con una unidad de disco duro de 2,5 pulgadas de tamaño.

Las especificaciones del disco duro se muestran a continuación.

Elemento	Especificación
Tipo	Unidad de disco duro de 2,5 pulgadas
Altura	9,5 mm
Consumo de energía	Máx. 1 A (5 V)
Interfaz	44-pin ATA
Formato	MS-DOS FAT 32, tamaño del cluster de 32 kB. * Para tipos de partición, el DN-V1700 sólo es compatible con la "partición primaria", no con la "partición extendida".
Posición de instalación	Según la norma SFF-8201

*1 El disco duro es un dispositivo giratorio, y como tal, debe sustituirse periódicamente.

(El periodo de sustitución depende principalmente de su uso. En general, la unidad debería sustituirse entre los 6 meses y los dos años).

*2 La temperatura ambiente de la unidad DN-V1700 debe estar entre los 5 y los 35°C en el disco duro para que funcione adecuadamente.

Preste especial atención a no colocar el equipo cerca de un dispositivo que pudiera generar mucho calor, causando la subida de la temperatura ambiente por encima de los 35°C.

■ **Funcionamiento**

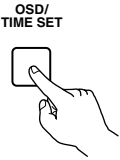
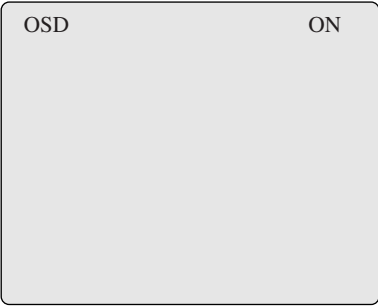
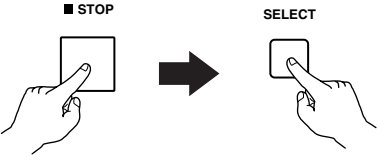
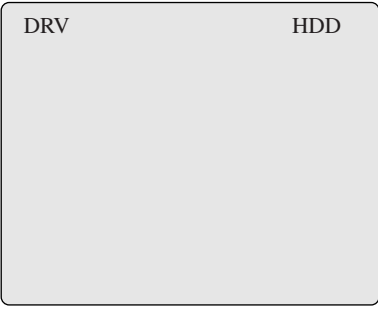
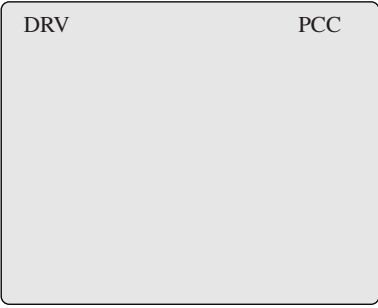
El equipo DN-V1700 incluye dos unidades, el disco duro y la ranura (unidad) de tarjeta PC. El funcionamiento con esta estructura de dos unidades se describe a continuación.

El formato de vídeo/audio de los archivos que se deben reproducir, del directorio (carpeta) y de la estructura de archivos es la misma que para las tarjetas de memoria IC. Para obtener más detalles, consulte "4 Contenidos de medio de reproducción".

■ **Cambio de la unidad**

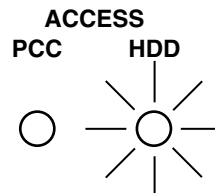
El procedimiento para cambiar manualmente las unidades utilizando los controles de la unidad principal se describe a continuación.

* Con el modo de bloqueo de clave activado, cancele el modo utilizando el comando en serie "KL".

<p>1</p>		<p>En el modo de parada, pulse el botón OSD/TIME SET.</p>
<p>2</p>		<p>"OSD ON" aparecerá en el monitor externo.</p> <p>* Cuando la visualización en pantalla está activada, se apaga, así que vuelva a pulsar el botón OSD/TIME SET.</p>
<p>3</p>		<p>Pulse el botón SELECT mientras pulsa el botón STOP.</p>
<p>4</p>		<p>Si la unidad actual está configurada como "PCC" (Ranura (unidad) de tarjeta PC), cambie la unidad actual a "HDD". Aparecerá el mensaje "HDD".</p>
<p>5</p>		<p>Si la unidad actual está configurada como "HDD" (unidad de disco duro), cambie la unidad actual a "PCC". Aparecerá el mensaje "PCC".</p>
<p>6</p>		<p>Seleccione la unidad deseada en los pasos 4 o 5.</p>

■ Luz de acceso a la unidad de disco duro

La luz de acceso cuando se añade una unidad de disco duro es "ACCESS HDD".



■ Las siguientes instrucciones muestran el orden de prioridad cuando se enciende la unidad.

Cuando se enciende la unidad		Unidad actual
PCC (Ranura (unidad) de tarjeta PC)	HDD (Unidad de disco duro)	
Ninguna	Instalada	Unidad de disco duro
Cargada	Instalada	Ranura (unidad) de tarjeta PC *1

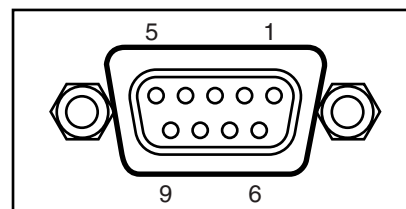
*1) La unidad actual no cambia automáticamente a HDD cuando se expulsa la tarjeta PC.

14 TERMINAL DE CONTROL REMOTO EN SERIE

El terminal de control remoto en serie del panel trasero de la unidad DN-V1700 puede utilizarse para conectar el software del terminal de un ordenador, etc., permitiendo una gran variedad de posibilidades de control a través del control remoto de serie. El terminal es compatible con los estándares RS232C y RS422A, seleccionados con el interruptor de selección del panel trasero.

Especificaciones del hardware

Estándares	De acuerdo con los estándares RS232C y RS422A
Tipo de conector	D-sub hembra de 9 conexiones
Longitud de los datos	8 bits
Velocidad en baudios	9,600 bps
Control de flujo	Ninguno
Sincronización	Sincronización asíncrona
Bit de parada	1 bit
Paridad	Ninguna



Nº conexión	RS232C (interruptor de selección sacado)		RS422A (interruptor de selección pulsado)	
	Nombre de la señal	Entrada/salida	Nombre de la señal	Entrada/salida
1	-	-	-	-
2	TXD	Salida	TXD (RETURN)	Salida
3	RXD	Entrada	RXD	Entrada
4	-	-	-	-
5	GND	-	-	-
6	-	-	GND	-
7	-	-	TXD	Salida
8	-	-	RXD (RETURN)	Entrada
9	-	-	-	-

NOTAS:

- Utilice un cable en serie directo para la conexión con un ordenador.
- Asegúrese de apagar la unidad DN-V1700 y el dispositivo de control cuando conecte el cable en serie y cambie entre RS232C y RS422A. Si no lo hace así, podría dañar la unidad DN-V1700 o el dispositivo de control.
- Asegúrese de cambiar al ajuste adecuado, RS232C o RS422A, para las especificaciones del hardware de comunicaciones o para el dispositivo de control.
- Las señales distintas a TXD y RXD (señales DTR, por ejemplo) no se pueden utilizar en el DN-V1700. Si se está llevando a cabo el control de recepción de tales señales en el dispositivo de control, tome las medidas de software y hardware necesarias en el dispositivo de control.

Especificaciones de software

* Estas instrucciones de funcionamiento sólo incluyen una descripción general de los comandos remotos en serie. Para más detalles sobre cada uno de los comandos, consulte su centro de ventas.

■ Procedimiento básico para la transmisión y recepción de comandos

Protocolo básico de esta interfaz: El dispositivo con el cual es posible una comunicación en serie (al que nos referiremos como el controlador a continuación) envía comandos, mientras que la unidad DN-V1700 devuelve mensajes indicando que los comandos han sido ejecutados.

Si utiliza un ordenador, la comunicación en serie es posible utilizando la aplicación Hiperterminal, incluida de serie en Windows™ 95 y posteriores.

■ Formato de los comandos

Los códigos de caracteres ASCII se utilizan para los comandos y mensajes reales. Los comandos se expresan con dos caracteres. No existe distinción entre letras mayúsculas y minúsculas, aunque no se pueden combinar dos diferentes.

El <CR><LF> código (0DH,0AH) se fija al final de los comandos. La unidad DN-V1700 reconoce que este comando está completo gracias a este código.

Algunos comandos pueden incluir parámetros (argumentos), pero como comandos también sirven para finalizar parámetros, asegúrese de situar los parámetros antes del comando y no incluya espacios, etc. La longitud máxima de los comandos incluyendo los argumentos es de 49 caracteres.

[Ejemplo] 20SE<CR><LF> : Buscar el registro número 20
 En este caso, 20 es el parámetro, SE es el comando.

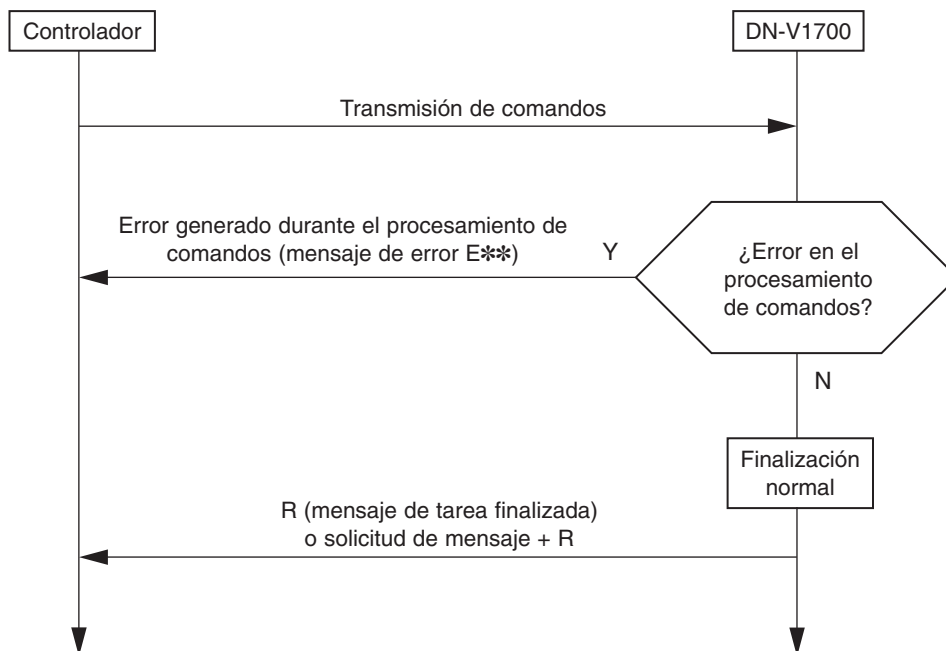
■ Transmisión de comandos y mensaje de respuesta

Si la unidad DN-V1700 recibe un comando y finaliza la tarea encomendada, o si se produce un error, la unidad DN-V1700 devuelve un mensaje de respuesta al controlador. Hay tres tipos de mensajes de respuesta:

- Mensaje de tarea finalizada "R" indicando que la tarea se ha realizado sin problemas
- "R" indicando un mensaje de estado en respuesta al comando + terminador de solicitud de estado
- Mensaje de error "E**" indicando que se ha producido un error.

Un número de 2 dígitos después de la "E" del mensaje de error indica el tipo del error.

* El mensaje "OK" es devuelto después de encender o reiniciar el sistema.



Enviar los comandos uno a uno.

[Ejemplo] Para buscar el 10º registro y reproducirlo
 10SE<CR><LF> → Enviar
 R<CR><LF> ← Mensaje de tarea finalizada
 PL<CR><LF> → Enviar
 R<CR><LF> ← Mensaje de tarea finalizada

■ Mensaje de tarea finalizada

Éste es el mensaje devuelto al controlador cuando la tarea para el funcionamiento del comando (reproducir, etc.), o el comando de ajuste recibido desde el controlador han sido completado normalmente.

R<CR><LF>

■ Mensaje de estado

Un mensaje de estado que incluye información sobre el estado de la unidad DN-V1700, etc., puede recibirse enviando un comando de solicitud de estado preguntando cuál es el estado, etc., de la unidad DN-V1700 desde el controlador. "R" vuelve como el terminador del final del mensaje.

El formato es específico para cada comando.

■ Mensaje tras el inicio

Si el sistema ha sido reiniciado o se ha pasado de encendido a apagado con las conexiones en serie realizadas, aparecerá el mensaje "OK<CR><LF>" enviado desde la unidad DN-V1700.

■ Mensajes de error

Si por alguna razón la tarea no puede finalizarse normalmente después de haber recibido un comando desde el controlador, la unidad DN-V1700 envía al controlador un mensaje de error, y los LEDs de los botones PLAY/PAUSE y STOP en la parte delantera de la unidad DN-V1700 parpadearán. El mensaje consiste en una "E" seguida por un número de error de 2 dígitos.

Si desea información detallada sobre un error después de haber sido enviado un comando de error, es posible la confirmación de un error utilizando el comando en serie "?E". Puede obtenerse información detallada sobre el último error. Si lleva a cabo esta confirmación, los botones de la unidad DN-V1700 dejarán de parpadear, ajustando a modo normal la visualización. Los botones de la unidad DN-V1700 también dejarán de parpadear si se realiza una confirmación de mensaje de error con el visualizador de pantalla en primer lugar (OSD).

Código de error	Nombre	Descripción
E00	Error de memoria de copia de seguridad	Los valores predeterminados en la ROM flash se cargaron porque la configuración de memoria de copia de seguridad de batería se perdieron tras el arranque.
E04	Opción no disponible	Se ha intentado ejecutar una función que no está disponible. La sección de instrucciones de comandos no es correcta. No puede utilizarse en el modo actual. La configuración de los argumentos no está dentro del rango descrito.
E06	Falta argumento	Argumento necesario no especificado. Valor de argumento no adecuado.
E99	Pánico	Se ha producido un error irreparable. No se puede acceder a la unidad. No se puede continuar con la reproducción y se ha detenido.

■ Referencia de comandos

- Los comandos son combinaciones de dos caracteres de códigos ASCII.
- Los argumentos sólo son válidos cuando se colocan delante del comando y cuando consisten en números o series de caracteres entre comillas ("").
- "n" en la lista de comandos se refiere a los numerales, "s" a las series de caracteres.
- Los comandos pueden consistir en letras mayúsculas o minúsculas, pero un único comando no puede contener ambos tipos de letra.
- "a" hasta "e" en la derecha de la tabla siguiente se refiere a las condiciones descritas a continuación. La marca "○" indica que es posible enviar un comando.
 - Enviar comando en modo de parada
 - Enviar comando durante la reproducción de un archivo
 - Enviar comando en modos fijo y pausa
 - Enviar comando durante la reproducción de scripts
 - Enviar comando como comando FTP "SITE"

• Lista de comandos de confirmación de estado

(a: Enviar comando en modo de parada, b: Enviar comando durante la reproducción de un archivo, c: Enviar comando en modos fijo y pausa, d: Enviar comando durante la reproducción de scripts, e: Enviar comando como comando FTP "SITE")

	Nombre del comando	Comando	Función	a	b	c	d	e
1	Confirmación de la presencia de unidad	?D	Confirmación de la presencia de unidad	○	○	○	○	○
2	Confirmación de espacio libre en disco	?A	Confirmación de espacio libre en disco actual	○	○	○	○	○
3	Confirmación del archivo del directorio actual	n?L	Confirmación del archivo del directorio actual	○	○	○	○	○
4	Confirmación del estado actual	?P	Confirmación del estado de reproducción	○	○	○	○	○
5	Confirmación del modo de reproducción	?I	Confirmación del modo de reproducción	○	○	○	○	○
6	Confirmación versión de Firmware	?V	Confirmación versión de firmware	○	○	○	○	○
7	Confirmación de código de hora	?T	Confirmación de código de hora actual	○	○	○	○	○
8	Confirmación de reloj de hora real	?C	Confirmación de reloj de hora real actual	○	○	○	○	○
9	Confirmación de configuración de red	?N	Confirmación de configuración de red	○	○	○	○	○
10	Confirmación de mensaje de error	?E	Confirmación de mensaje de error	○	○	○	○	○
11	Confirmación de configuración de diferencia horaria	?R	Confirmación de configuración de diferencia horaria y ahorro de luz de día	○	○	○	○	○

• Lista de comandos de funcionamiento

(a: Enviar comando en modo de parada, b: Enviar comando durante la reproducción de un archivo, c: Enviar comando en modos fijo y pausa, d: Enviar comando durante la reproducción de scripts, e: Enviar comando como comando FTP "SITE")

	Nombre del comando	Comando	Función	a	b	c	d	e
12	Reproducir	PL	Reproducir registro actual	○	○	○		○
13	Reproducir un archivo específico	"s" PF	Reproducir un registro específico	○	○	○		○
14	Preparación para reproducir un archivo específico	"s" PS	Preparación para reproducir registro	○	○	○		○
15	Pausa	PA	Pausa (visualizador en pantalla desactivado (off))		○			○
16	Fijo	ST	Fijo (visualizador en pantalla activado (on))		○			○
17	Parada	RJ	Parar reproducción	○	○	○	○	○
18	Buscar registro	nSE	Buscar registro actual (mover)	○	○	○		○
19	Salida de audio	nAD	Cambiar salida de audio entre activado (on) y desactivado (Desactivado (off))	○	○	○		○
20	Salida de vídeo	nVD	Cambiar salida de vídeo entre activado (on) y desactivado (Desactivado (off))	○	○	○		○
21	Control de visualización del visualizador en pantalla (OSD)	nDS	Cambia la visualización de caracteres en pantalla entre activado (on) y desactivado (off)	○	○	○		○
22	Borrar usuario del visualizador OSD	"s" CS	Borrar usuario del visualizador OSD	○	○	○		○
23	Configurar las propiedades de visualización OSD del usuario	"s" AT	Especificar las propiedades de visualización OSD del usuario	○	○	○		○
24	Escribir caracteres en OSD del usuario	"s" PR	Escribir caracteres en OSD del usuario	○	○	○		○
25	Control de salida del puerto paralelo	nPO	Control de salida del puerto paralelo	○	○	○		○
26	Cambiar unidad actual	nDR	Cambiar unidad actual	○				○
27	Cambiar directorio actual	nCD	Cambiar directorio actual	○				○

• **Lista de comandos de funcionamiento**

(a: Enviar comando en modo de parada, b: Enviar comando durante la reproducción de un archivo, c: Enviar comando en modos fijo y pausa, d: Enviar comando durante la reproducción de scripts, e: Enviar comando como comando FTP "SITE")

	Nombre del comando	Comando	Función	a	b	c	d	e
28	Copiar archivo	"s" CP	Copiar archivos entre unidades	○				○
29	Borrar archivo	"s" DL	Borrar archivo	○				○
30	Formatear unidad	nFM	Formatear unidad	○				

• **Lista de comandos de configuración**

(a: Enviar comando en modo de parada, b: Enviar comando durante la reproducción de un archivo, c: Enviar comando en modos fijo y pausa, d: Enviar comando durante la reproducción de scripts, e: Enviar comando como comando FTP "SITE")

	Nombre del comando	Comando	Función	a	b	c	d	e
31	Configuración del orden de los archivos	nFS	Configurar el orden de los archivos	○				○
32	Configuración del código de hora en modo esclavo	nTM	Configuración del código de hora en modo esclavo	○				○
33	Configuración de la dirección IP	"s" IP	Configuración de la dirección IP	○				
34	Configuración de la dirección de la puerta de enlace	"s" GW	Configuración de la dirección de la puerta de enlace	○				
35	Configuración de la máscara de subred	"s" NM	Configuración de la máscara de subred	○				
36	Configuración de la pantalla de inicio	nBS	Cambiar la visualización de la pantalla de inicio entre activado (on) y desactivado (desactivado (off))	○				
37	Configuración del tiempo VITC	"s" TC	Configuración del tiempo VITC	○	○	○		○
38	Bloqueo de teclas	nKL	Cambiar la función de bloqueos entre activado (on) y desactivado (desactivado (off))	○	○	○		○
39	Configuración de reloj de hora real	"s" RC	Configuración de reloj de hora real	○	○	○		○
40	Configuración de modo único	nSG	Cambiar modo único entre activado (on) y desactivado (desactivado (off))	○	○	○		○
41	Configuración de modo repetir	nRP	Cambiar modo repetir entre activado (on) y desactivado (off)	○	○	○		○
42	Actualización de la ROM flash	2FU	Actualizar ROM flash	○				○
43	Bloqueo de comandos FTP "SITE"	nLL	Bloqueo de comandos FTP "SITE"	○	○	○		
44	Configuración de ID de usuario de FTP	"s" ID	Configuración de ID de usuario de FTP	○				
45	Configuración de contraseña de acceso a FTP	"s" PW	Configuración de contraseña de acceso a FTP	○				
46	Configuración del servidor SNTP	"s" NS	Configuración del servidor SNTP	○				○
47	Configuración de la hora mediante SNTP	NT	Configuración de la hora mediante servidor SNTP	○				
48	Reinicio	nRB	Reiniciar sistema	○				○
49	Configuración de visualización fija	nFI	Configuración de visualización fija (fotograma/campo)	○	○			○
50	Configuración de la diferencia horaria	"s" GT	Configuración de diferencia horaria y ahorro de luz de día	○				○

NOTA:

No apague nunca la unidad mientras se esté ejecutando la actualización de la ROM flash "2FU". El comando "2FU" reescribe la memoria interna del programa. Apagar la unidad mientras se ejecuta este comando puede dañar el equipo.

• **Lista de comandos de depuración de scripts**

(a: Enviar comando en modo de parada, b: Enviar comando durante la reproducción de un archivo, c: Enviar comando en modos fijo y pausa, d: Enviar comando durante la reproducción de scripts, e: Enviar comando como comando FTP "SITE")

	Nombre del comando	Comando	Función	a	b	c	d	e
51	Configuración del modo de depuración	"s" DM	Configuración del modo de depuración	○				○
52	Ejecutar una línea del script	nSJ	Ejecutar una línea del script	○				○
53	Ejecutar el script desde una línea específica en adelante	nLG	Ejecutar el script desde una línea específica en adelante	○				○

• **Lista de otros comandos**

- (a: Enviar comando en modo de parada, b: Enviar comando durante la reproducción de un archivo,
- c: Enviar comando en modos fijo y pausa, d: Enviar comando durante la reproducción de scripts,
- e: Enviar comando como comando FTP "SITE")

	Nombre del comando	Comando	Función	a	b	c	d	e
54	Confirmación del estado el reproductor	?S	Confirmación del estado del reproductor	○	○	○	○	○
55	Comprobación de la unidad	nTE	Comprobación de la velocidad media de reproducción	○				
56	Configuración de la suspensión del disco duro	nHS	Configuración de la suspensión del funcionamiento del disco duro	○				
57	Configuración del modo de comunicaciones de red	nHD	Cambiar entre full duplex y half duplex	○				
58	Salida de registro	nLW	Salida de registro a archivo	○				○

NOTA:

Si accede a un servidor FTP mediante una conexión LAN, asegúrese de que se desconecta del servidor FTP antes de ejecutar los comandos en serie "FU" y "RB". Cuando se ejecutan estos comandos, la conexión finaliza de forma forzada, de modo que el controlador LAN no reconoce que la conexión con el servidor FTP ha finalizado, dando como resultado, posiblemente, un error de control.

15 TERMINAL DE CONTROL REMOTO EN PARALELO

Puede conectarse un controlador externo a la unidad DN-V1700 para su control remoto en paralelo.

■ **Especificaciones**

Tipo de conector: D-sub hembra de 15 conexiones

Disposición de los contactos:

Conexión nº *1	Nombre	Entrada /Salida	Lógica	Nivel *2	Descripción de la conexión		
					Modos diferentes al modo de script		Modo de script
					Normal	Mayús	
①	buscar 1/6	Entrada	Negativa	TTL	Selecciona el primer archivo en el orden establecido	Selecciona el sexto archivo del orden establecido	BOTÓN 1
②	buscar 2/7	Entrada	Negativa	TTL	Selecciona el segundo archivo del orden establecido	Selecciona el séptimo archivo en el orden establecido	BOTÓN 2
③	buscar 3/8	Entrada	Negativa	TTL	Selecciona el tercer archivo del orden establecido	Selecciona el octavo archivo del orden establecido	BOTÓN 3
④	buscar 4/9	Entrada	Negativa	TTL	Selecciona el cuarto archivo del orden establecido	Selecciona el noveno archivo del orden establecido	BOTÓN 4
⑤	buscar 5/10	Entrada	Negativa	TTL	Selecciona el quinto archivo del orden establecido	Selecciona el décimo archivo del orden establecido	BOTÓN 5
⑥	seleccionar	Entrada	Negativa	TTL	Cambia el directorio actual	Cambia el directorio actual	BOTÓN 6
7	mayús	Entrada	Negativa	TTL	Pulsar mientras está en funcionamiento las teclas ① a la ⑥, ⑪ y ⑫ para cambiar su función.		
8	reproducir	Entrada	Negativa	TTL	Inicia la reproducción del archivo actual		
9	GND (masa)	Alimentación	-	-			
10	parada	Entrada	Negativa	TTL	Detiene la reproducción del archivo		*3
⑪	▶▶/repetir	Entrada	Negativa	TTL	Salta en el orden establecido	Cambia el modo repetir entre activado (on) y desactivado (off)	BOTÓN 7
⑫	◀◀/único	Entrada	Negativa	TTL	Salta en orden inverso	Cambia el modo único entre activado (on) y desactivado (off)	BOTÓN 8
13	AUX1	Salida	Negativa	TTL *4	Salida programable 1		
14	AUX2	Salida	Negativa	TTL *4	Salida programable 2		
15	+5V	Alimentación	-	-	Salidas de +5V para utilizar un dispositivo externo (NOTA 1)		

*1) Números rodeados por círculos : La función de la tecla cambia cuando la tecla se pulsa junto con la tecla mayús.

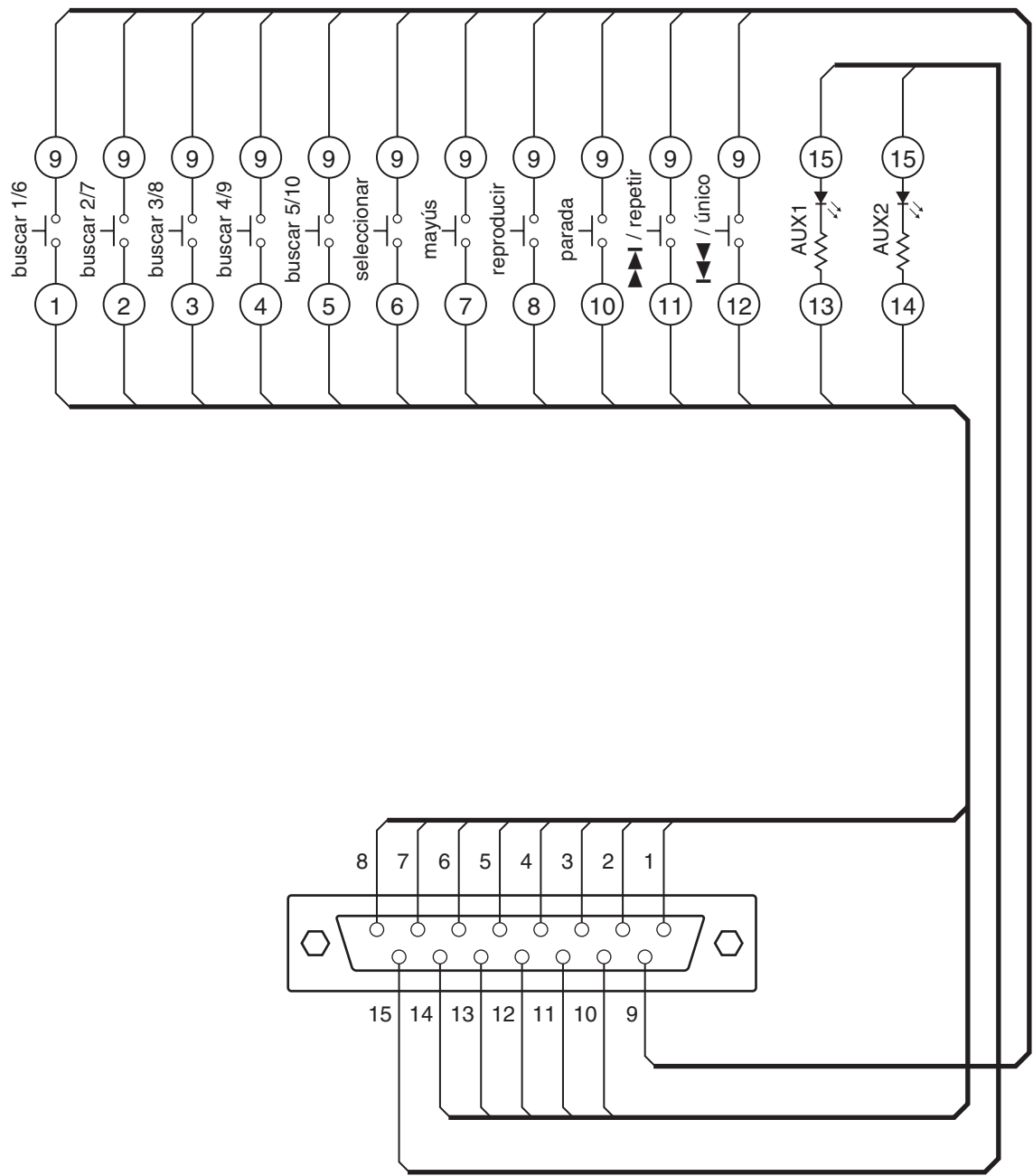
*2) Nivel TTL (resistencia de conexión incluida)

*3) Mantenga pulsada la tecla parada (durante un mínimo de 2 segundos) para detener la reproducción.

*4) Corriente máxima de salida a nivel bajo: 64mA.

(NOTA 1): Asegúrese de que el consumo de energía del dispositivo externo suministrado por esta conexión es de 200 mA o inferior.

■ Diagrama de cableado remoto en paralelo



16 REPRODUCCIÓN DE ARCHIVOS DE SCRIPT

Con la unidad DN-V1700, los programas pueden reproducirse como usted quiera utilizando archivos que incluyen comandos de script únicos.

* Estas instrucciones de funcionamiento sólo incluyen una descripción general de los comandos de script. Para más detalles sobre cada uno de los comandos, consulte su centro de ventas.

■ Nombres de archivos de scripts

Los nombres de los archivos de scripts tienen el siguiente formato: El nombre del archivo con un máximo de 8 caracteres de código ASCII + ".DSC".

Los archivos se almacenan en el directorio SCRIPT.

■ Ejecución de archivos de scripts

La reproducción programada utilizando archivos de scripts se realiza reproduciendo el archivo de scripts deseado del directorio SCRIPT.

■ Funcionamiento de la unidad DN-V1700 mientras se reproducen archivos de scripts

Los comandos incluidos en el archivo de scripts se ejecutan en orden. La ejecución del siguiente comando se inicia una vez haya finalizado la ejecución del anterior. Cuando se reproduce un archivo, el siguiente comando sólo se ejecuta cuando la reproducción o el archivo han finalizado.

Si se ha especificado la interrupción de comandos, su ejecución pasa a la etiqueta especificada de acuerdo con las condiciones especificadas, y el comando de la siguiente línea de la etiqueta se ejecuta inmediatamente. Cuando se declara una interrupción bajo las mismas condiciones en varios canales, se hace efectiva la configuración para el canal con el número más bajo.

Si "@" se añade antes de un comando, ese comando se ejecuta incluso si un archivo está reproduciéndose, después de lo cual se ejecuta inmediatamente el siguiente comando, sin esperar a que finalice la reproducción del archivo. (Consulte la lista de comandos de scripts para saber qué comandos pueden utilizar "@").

■ Ejecución automática de scripts

Si hay un archivo con el nombre "ply00000.dsc" en el directorio SCRIPT, el script se ejecuta de forma automática cuando se inicia el dispositivo. (El script no se ejecuta si la botón STOP se mantiene pulsada mientras arranca el dispositivo).

■ Detener la reproducción de un script

La reproducción de un script puede detenerse mientras está en uso utilizando los procedimientos mencionados a continuación, a no ser que el comando "on break goto" esté activado:

- Manteniendo pulsada la botón STOP en el panel frontal durante un mínimo de 2 segundos
- Manteniendo pulsada la botón STOP del controlador remoto paralelo durante un mínimo de 2 segundos
- Con el comando remoto en serie "RJ"
- Con el comando "RJ" FTP "SITE"

Durante la reproducción de un script, no pueden llevarse a cabo otras operaciones que no sean las operaciones de parada y de confirmación de estado arriba indicadas por parte del controlador remoto en serie, o el comando "SITE".

■ Formato del archivo de script

- Archivo de TEXTO
- El terminador de cada comando debe ser el comando de retorno de los archivos normales de MS DOS (0x0D0A).
- Los comandos deben escribirse todo en letras mayúsculas o todo en letras minúsculas. Se producirá un error si un mismo comando contiene letras mayúsculas y minúsculas. Sin embargo, los parámetros y comentarios pueden incluir letras mayúsculas y minúsculas.
- Los comentarios pueden comenzar en cualquier posición, siempre que comiencen antes del carácter nº 79 de una línea.
- El número máximo de caracteres por línea es 78 (sin incluir retorno) para líneas que no incluyen comentarios, 250 para líneas que incluyen comentarios. Incluso cuando el comentario comience después del comando, la marca ";" que indica el comienzo del comentario debe estar situada dentro de los primeros 78 caracteres.
- El número máximo de líneas por archivo (el total de líneas de comando y de líneas de etiqueta) es de 250 (sin incluir las líneas que sólo incluyen comentarios).
- El tamaño máximo del archivo, incluyendo comentarios, es de 16 kilobytes (16,384 bytes).
- Cuando un parámetro sigue a un comando, sepárelo con un espacio.
- Cuando haya varios parámetros, sepárelos con comas.
- Si omite parámetros que pueden omitirse, la coma que separa los parámetros no podrá omitirse. Sin embargo, si omite el último parámetro, la coma que precede a este parámetro puede omitirse.

■ Formato de las etiquetas

- Las líneas de la etiqueta pueden consistir de cualquier serie de caracteres de hasta 8 caracteres, comenzando con (“#”) (máximo 9 caracteres, incluyendo “#”).
- La almohadilla se omite cuando se especifican parámetros como “GOTO”, “ONKEYGO”, o “ONBREAK”.
- Los caracteres que pueden utilizarse en los nombres de las etiquetas son las letras mayúsculas de la2 “A” a la “Z”, las letras minúsculas de la “a” a la “z” y los números del “0” al “9”.

■ Terminal remoto en paralelo

Durante la reproducción del script, las conexiones 1 a la 6, 11 y 12 del terminal remoto en paralelo funcionan como las teclas 1 a la 8, y pueden utilizarse con el comando de script “ONKEYGO”, por ejemplo.

■ Lista de comandos de scripts

(“n” se refiere a una integral)

	Comando	@	Formato	Descripción
1	comment		;	Comentario
2	reproducir		PLAY	Reproducción de 1 o 2 archivos. El script no avanza hasta el siguiente paso a menos que se reproduzca el archivo hasta el final.
3	pausa en la reproducción		PLAYRDY	Preparación para la reproducción del archivo
4	inicio de reproducción		PLAYGO	Inicia la reproducción del archivo en el que está situado el modo de parada desde el TC especificado
5	finalizar		END	Finalizar/cambiar la ejecución del archivo de script
6	pausa		PAUSE	Establece el modo de pausa (pantalla en negro)
7	fijo		STILL	Establece el modo de pausa (aparece una imagen fija en pantalla)
8	parar		STOP	Detiene la reproducción (aparece una imagen fija en pantalla)
9	control de audio	@	AUDIO	Cambia la salida de audio entre activado (on) y desactivado (off)
10	control de vídeo	@	VIDEO	Cambia la salida de vídeo entre activado (on) y desactivado (off)
11	ir a		GOTO	Cambio forzado de secuencia de comandos
12	conjunto vitc	@	SETTC	Ajustar código de hora mediante SMPTE
13	esperar		WAIT	Espera un número determinado de segundos o hasta que se alcance un determinado número de segundos
14	tras tecla ir a	@	ONKEYGO	Establece un cambio forzado de secuencia de comandos una vez que pulsa una tecla determinada
15	tras SMPTE-tc ir a	@	ONSMPTCGO	Interrupción del temporizador SMPTE
16	si día de la semana, ir a	@	IFDWKGO	Cambia la secuencia de comandos dependiendo del día de la semana
17	tras rtc ir a	@	ONRTCGO	Interrupción del temporizador de tiempo real
18	tras corte ir a	@	ONBREAK	Especifica la posición del nuevo procesamiento cuando se recibe un comando de interrupción de la ejecución
19	visualizador osd	@	OSDDISP	Cambia el visualizador OSD de usuario entre activado (on) y desactivado (off)
20	imprimir osd	@	OSDPRT	Escriba 1 línea de OSD de usuario
21	atributo osd	@	OSDATT	Establece el atributo OSD del usuario
22	borrar osd	@	OSDCLR	Borra la(s) línea(s) del OSD de usuario
23	tc control interruptor	@	TCINT	Desactiva/activa la interrupción del código de hora
24	rtc control interruptor	@	RTCINT	Desactivar/activar la interrupción RTC
25	juego de com-port	@	COMSET	Configuración del modo de comunicaciones del puerto de serie
26	entrada de com-port	@	COMPUT	Línea de salida 1 desde el puerto de serie
27	unidad de salida en paralelo	@	OUTPORT	Configuración del terminal de salida remota en paralelo
28	cambio de unidad		DRV	Cambia la unidad actual
29	activar comando site	@	SITECMD	Activa la aceptación del comando site
30	Calibración de la hora mediante SNTP		TIMECAL	Calibración de la hora mediante servidor SNTP
31	unidad modo fijo	@	STLMODE	Configura la visualización en pantalla en modo fijo
32	conjunto de variables	@	SET	Configura el valor del contador
33	bucle		LOOP	Crea bucles según el contador de bucles y la etiqueta
34	escriba archivo de registro		WRITELOG	Saque el registro al archivo

* “@” en la “@” columna indica qué comandos pueden utilizarse con “@”.

17 INTERFAZ DE RED

La unidad DN-V1700 está equipada con una interfaz 10BASE-T y 100BASE-TX para conexiones a redes.

Hay montado un servidor FTP para transferencia de archivos. El acceso es posible utilizando la función de cliente FTP (en el símbolo de DOS) incluida de serie con Windows™ 95 y posteriores.

La misma operación que con el controlador remoto en serie es posible realizarla utilizando el comando de FTP "SITE".

* Estas instrucciones de funcionamiento sólo incluyen una descripción general del control de la red.
Para más detalles, consulte en su centro de ventas.

■ Especificaciones

Protocolo: TCP/IP
 Protocolos instalados: TCP, UDP, IP, ARP, e ICMP (parcial)
 Conexión: Selección automática de 10BASE-T/100BASE-TX
 Tipo de conector: RJ-45

■ Disposición de los contactos

Contacto nº	Nombre de la señal	Nombre
1	TXD +	Datos de transmisión (+)
2	TXD -	Datos de transmisión (-)
3	RXD +	Datos de recepción (+)
4	-	-
5	-	-
6	RXD -	Datos de recepción (-)
7	-	-
8	-	-

■ Configuración de la unidad principal

La configuración relacionada con la red (dirección IP, máscara de subred, etc.) se realiza utilizando los comandos de la interfaz en serie. Los valores predeterminados para las diferentes configuraciones son los que se muestran a continuación.

Dirección IP	192.168.0.1
Dirección puerta de enlace	0.0.0.0
Máscara de subred	255.255.255.0

■ Servidor FTP

La configuración relacionada con el servidor FTP (ID, contraseña, etc.) se realiza utilizando los comandos de la interfaz en serie. Los valores predeterminados para las diferentes configuraciones son los que se muestran a continuación.

	Valores predeterminados	Limitaciones
ID de acceso	user	De 4 a 10 letras y números.
Contraseña	noned	No se distingue entre letras mayúsculas y minúsculas.

18 VISUALIZADOR EN PANTALLA (OSD)

La función de visualización en pantalla de la unidad DN-V1700 hace posible superponer un carácter sobre una imagen.

Existen tres tipos básicos de visualizadores OSD, que son los siguientes:

- Visualizador de estatus: Muestra el estatus en relación con el funcionamiento de las teclas de la unidad principal y el funcionamiento desde el controlador remoto en paralelo. El estado en relación al controlador remoto en serie y los comandos FTP "SITE" no se muestran.
- Visualizador de errores: Si se produce un error en la unidad DN-V1700, aparece un mensaje de error.
- OSD del usuario: Los usuarios pueden escribir cualquier serie de caracteres que quieran en el OSD. Esto se consigue utilizando los comandos del controlador remoto en serie y FTP "SITE", así como scripts.

Cuando el visualizador de estatus y el OSD de usuario están activados, el visualizador de estatus tiene prioridad, así que el OSD no aparece en pantalla hasta que se desactive el visualizador de estado.

■ Cambiar el visualizador del OSD entre activado y desactivado

Cuando la unidad está encendida, el visualizador en pantalla (OSD) está configurado inicialmente para que no se muestre. El visualizador del OSD puede activarse y desactivarse (activado y desactivado) con el botón OSD/TIME SET situado en el panel frontal o con el comando en serie "DS".

Básicamente, el visualizador de estatus aparece en relación con el funcionamiento de las teclas del panel frontal y con el funcionamiento del terminal remoto paralelo, no para conexiones remotas en serie o mediante LAN.

- Control activado/desactivado del visualizador OSD mediante comando del controlador remoto en serie
El visualizador de OSD se activa o desactiva utilizando el comando del controlador remoto en serie "DS". Tanto el OSD de estado como el de usuario pueden controlarse desde un comando de controlador remoto en serie.

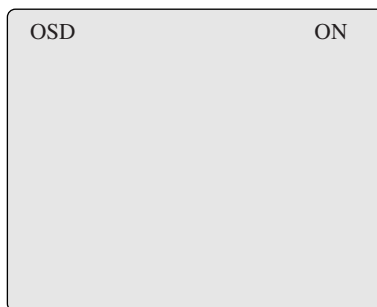
```
<Format> n1n2DS<CR><LF>
          (n1:0 = OSD de usuario no aparece, 1 = aparece)
          (n2:0 = estado no mostrado, integral de 1 a 9 = número de segundos durante los que aparece en pantalla el estado, valor
          predeterminado - 3 segundos)
<Reply>  R<CR><LF>
<Details> Cambia la visualización de estatus y el OSD de usuario entre activado y desactivado. Cuando el visualizador de estatus y
          el OSD de usuario están activados, el visualizador de estatus tiene prioridad, así que el OSD no aparece en pantalla hasta
          que se desactive el visualizador de estado. (Los mensajes de error mostrados con la función de visualización del OSD
          siguen mostrándose hasta que esa opción sea desactivada por el usuario, sin importar este comando).
```

■ Control activado/desactivado de visualización OSD mediante un comando de script

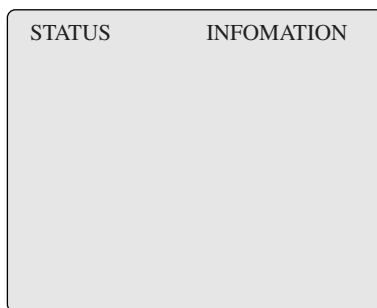
El visualizador de OSD se activa o desactiva utilizando el comando del controlador "osd display". Sólo el visualizador del OSD de usuario puede ser controlado por un comando de script. (El OSD de estatus no aparece durante la ejecución del script).

- ```
<Function> Cambia el visualizador del OSD de usuario entre activado y desactivado.
<Format> OSDDISP 0 ... Salida OSD desactivado (off)
 OSDDISP 1 ... Salida OSD on
<Details> Cambia el visualizador de OSD de usuario entre activado y desactivado.
```

- Control on/desactivado (off) del visualizador OSD utilizando el botón OSD/TIME SET de la unidad principal  
 Sólo el visualizador de estatus puede cambiar entre activado y desactivado utilizando el botón OSD/TIME SET del panel frontal de la unidad.  
 El visualizador de estatus puede cambiar entre activado y desactivado cada vez que se pulsa el botón. El tiempo de visualización es el valor establecido con el comando en serie "DS". El valor predeterminado es de 3 segundos.  
 Cuando la unidad esté encendida, aparecerá "ON" en pantalla.  
 No aparecerá nada cuando el OSD de estatus esté en desactivado (off).



- Visualizador de estatus  
 El visualizador de estatus muestra el estatus en relación con el funcionamiento de las teclas de la unidad principal y el funcionamiento desde el controlador remoto en paralelo. El visualizador de estatus tiene prioridad sobre el visualizador OSD de usuario.  
 El estatus del modo de reproducción, etc., se muestra en la parte superior izquierda, mientras que el nombre del archivo y otra información adicional aparece en la parte superior derecha.  
 El estatus sólo se muestra durante el número de segundos especificados con el comando en serie "DS", tras los cuales, pasa a desactivado (off) automáticamente.



Botón (unidad principal, controlador remoto en paralelo)		Visualizar estatus	Mostrar información
PLAY/PAUSE	En modo de reproducción	PLAY	Nombre del archivo de reproducción
	En modo de pausa	PAUSE	Ninguna
STOP		STOP	Ninguna
SELECT		DIR	Nombre del directorio de destino (VIDEO, AUDIO, PICTURE o SCRIPT)
STOP (SHIFT) + SELECT		DRV	Nombre de la nueva unidad (PCC o HDD)
FWD SKIP (▶▶▶)	En modo de parada	SEARCH	Registro n°. (de 1 a 999)
	En modo de reproducción	▶▶▶	Nº de registro de reproducción (de 1 a 999)
REV SKIP (◀◀◀)	En modo de parada	SEARCH	Registro n°. (de 1 a 999)
	En modo de reproducción	◀◀◀	Nº de registro de reproducción (de 1 a 999)
REPEAT (SHIFT + ▶▶▶)		REPEAT	ON/OFF
SINGLE (SHIFT + ◀◀◀)		SINGLE	ON/OFF
Funcionamiento no válido de un botón			!

- Visualizar error en OSD

Si se produce un error en la unidad DN-V1700, aparecerá una descripción del error en el OSD.

El mensaje de error mostrado con esta función es el mismo que se devuelve con el comando en serie "?E".

- Visualizar mensajes de error

Si se produce un error, los botones PLAY/PAUSE y STOP de la unidad principal parpadean en intervalos de 1 segundo, indicando que se ha producido un error.

En este momento, el botón OSD/TIME SET de la unidad principal puede utilizarse para cambiar el estado del OSD entre activado (on) y desactivado (off). Al cambiar de desactivado (off) a on, el mensaje de error aparecerá en la parte inferior de la pantalla.

Si se produce un error cuando el visualizador OSD del sistema esté apagado, el mensaje de error aparecerá cuando vuelva a encenderse el sistema OSD. Si se produce un error cuando el visualizador OSD del sistema esté encendido, el mensaje de error puede mostrarse cambiando el estado del sistema OSD a desactivado (off) y después otra vez a on.

Cuando se muestra el mensaje de error, los botones del panel frontal dejan de parpadear y el visualizador vuelve a la normalidad.

Si se produce otro error mientras se muestra un mensaje de error, el nuevo error se mostrará inmediatamente.

Si aparece un mensaje de error mientras se muestra el OSD de usuario, el OSD de usuario no puede estar disponible hasta que se borre el mensaje de error.

- Almacenar mensajes de error

Si se produce un segundo error después de que se haya dado uno anterior, pero que todavía no se ha mostrado, el mensaje antiguo se borra y se almacena el nuevo.

Además, si después de producirse un error y antes de que el mensaje de error haya aparecido en el OSD, el error es confirmado mediante el comando en serie "?E", los botones del panel frontal dejarán de parpadear y el mensaje de error se borrará.

- Visualizador OSD de usuario

Cualquier serie de caracteres puede mostrarse en el OSD de usuario utilizando los comandos en serie "AT", "PR" y "CS". El OSD de usuario no puede mostrarse al mismo tiempo que el visualizador de estatus. Si ambos están en activado (on), el visualizador de estatus tiene prioridad.

Pueden utilizarse letras (mayúsculas o minúsculas), números y símbolos en el OSD de usuario, que puede contener un máximo de 14 filas con un máximo de 44 caracteres (coordenada superior izquierda: 0,0). No obstante, para algunos monitores, algunas partes de los bordes de la pantalla puede que no se visualicen.

- \* El OSD de usuario se controla mediante un comando en serie

Para más detalles, consulte en su centro de ventas.

## 19 SOLUCIÓN DE PROBLEMAS

Compruebe los siguientes puntos antes de llegar a la conclusión de que hay un problema con la unidad. Si esto no resuelve el problema, puede que haya algún problema en la unidad. Apague la unidad y desenchufe el cable eléctrico, después póngase en contacto con su centro de ventas.

Síntoma	Posible problema	Solución
<Funcionamiento general>		
La unidad no se enciende.	• El adaptador CA no está conectado adecuadamente.	• Comprobar la conexión.
	• El interruptor de alimentación está en la posición "OFF".	• Active el interruptor de alimentación que hay en el panel trasero de la unidad.
Los botones no funcionan.	• El modo de bloqueo de los botones se ha establecido mediante comando en serie.	• Utilice un comando en serie para cancelar el modo de bloqueo de botones.
	• Se está ejecutando un comando FTP "SITE".	• Utilice un comando FTP "SITE" para cancelar el modo de bloqueo de los botones.
	• Se está reproduciendo un archivo de script.	• Pulse el botón STOP durante un mínimo de 2 segundos para cancelar el script.
"Reboot!!!" ha aparecido momentáneamente en el visualizador del monitor, o parece que no se apaga.	• Se ha expulsado un medio mientras se estaba accediendo a la unidad.	-
	• Se ha ejecutado Reboot (reiniciar) desde un comando en serie.	-
Aparece "!" en el OSD incluso cuando se pulsa el botón SELECT.	• No se ha creado uno de los directorios necesarios.	• Crear todos los directorios necesarios (VIDEO, AUDIO, PICTURE y SCRIPT).
El archivo no se puede reproducir.	• El archivo está dañado.	• Reformatee el medio de reproducción. * Los datos se han perdido cuando se formateó el medio.
	• El formato del archivo no puede ser reproducido por este equipo.	• Crear un archivo en un formato que pueda reproducirse en esta unidad.
La imagen se detiene a mitad o se interrumpe.	• El medio de reproducción no tiene el rendimiento suficiente (velocidad) para responder la velocidad de lectura del equipo.	• Utilice una tarjeta recomendada.
El medio de reproducción no ha sido reconocido.	• El medio no está formateado.	• Formatear el medio. * Los datos se han perdido cuando se formateó el medio.
	• El formateo del medio no es compatible con esta unidad. * Si la luz de acceso a la unidad parpadea repetidamente y el medio no es reconocido, aunque sí lo es en un ordenador, etc., puede que se haya formateado en formato NTFS o super floppy.	• Utilice el comando de control en serie de la unidad para formatear el medio en la unidad. * Los datos se han perdido cuando se formateó el medio.
<Reproducción sincronizada>		
Dos unidades no pueden sincronizarse, o la sincronización del código de tiempo no funciona.	• El/los cable(s) para la sincronización están dañados.	• Sustituir el/los cable(s).
	• La configuración maestro/esclavo en la configuración de sincronización no es correcta.	• Configure de nuevo la sincronización, después apague la unidad y vuelva a encenderla.
	• En el modo esclavo, la configuración del código de tiempo es errónea.	• Configure el código de tiempo. (Comando en serie)
<Reproducción de scripts>		
La reproducción de scripts no es posible o se detiene a la mitad.	• El texto del script está equivocado. * En la unidad DN-V1700, si se producen errores en el texto del script, en algunos casos no se iniciará la ejecución. Así se evitan daños mayores al equipo.	• Consulte la descripción de los scripts y corrija el texto.
<Comunicaciones en serie>		
No es posible la comunicación en serie.	• El interruptor de selección RS232C/422A no está configurado.	• Compruebe el interruptor en el panel trasero de la unidad.
	• La configuración de comunicaciones del controlador no corresponde a la configuración de la unidad DN-V1700.	• Compruebe el protocolo de comunicaciones del controlador.

Síntoma	Posible problema	Solución
<LAN>		
DN-V1700 no reconocido.	<ul style="list-style-type: none"> <li>No se ha realizado la configuración de la red.</li> </ul>	<ul style="list-style-type: none"> <li>Compruebe la configuración de la dirección IP, la dirección de la puerta de enlace y la máscara de subred.</li> </ul>
	<ul style="list-style-type: none"> <li>Las direcciones IP son redundantes.                             <ul style="list-style-type: none"> <li>* Cuando se conectan varias unidades DN-V1700, sus direcciones IP no deben ser redundantes. Si están conectadas a una LAN existente, las direcciones IP tampoco deben ser redundantes.</li> </ul> </li> </ul>	<ul style="list-style-type: none"> <li>Volver a introducir las direcciones IP.</li> </ul>
No puede realizarse la configuración de hora mediante SNTP.	<ul style="list-style-type: none"> <li>Acceso limitado por cortafuegos o enrutador.</li> </ul>	<ul style="list-style-type: none"> <li>Póngase en contacto con el administrador de la LAN a la que está conectada la unidad DN-V1700.</li> </ul>

## 20 ESPECIFICACIONES PRINCIPALES

### Formatos que pueden reproducirse:

<Vídeo + audio o sólo vídeo>  
 Archivos ISO/IEC 13818-1 MPEG2 MP@ML PS (Corriente de programa) (vídeo + audio)  
 Archivos ES (sólo película) Resolución: 720 x 480  
 <Imágenes fijas>  
 Archivos ISO/IEC 13818-2 MPEG2 MP@ML ES  
 Resolución: 720 x 480 por fotograma intrafotograma  
 <Formato de audio>  
 MPEG1 – Audio Layer 2 (ISO/IEC 11172-3)  
 Frecuencia de muestreo: 48 kHz, 44,1 kHz  
 <Velocidad máx en baudios>

### Medio de reproducción:

Máx. 10 Mbps total para vídeo + audio (depende del rendimiento de la tarjeta)  
 DENON recomienda la tarjeta de memoria flash  
 Unidad de disco duro interno

### Terminales de entrada/salida:

Terminal BNC de salida de vídeo componente (Y/Cb/Cr)  
 Terminal BNC de salida compuesto, terminal RCA de salida compuesto  
 Terminal S de salida de señal separada Y/C, terminal BNC de entrada VITC, terminal BNC de salida VITC  
 Terminal RCA de salida análoga (estéreo) x 2  
 Conector XLR activo de equilibrio de salida análoga x 1  
 Terminal RCA de salida de audio digital (formato EIAJ)  
 Terminal de entrada CC, terminal de modo en serie (D-sub hembra 9 contactos) (para RS232C y RS422A)

### Rendimiento de vídeo:

Terminal remoto paralelo (D-sub hembra 15 contactos)  
 Terminal ethernet (LAN) (RJ-45) (10 Base-T/100 Base-TX, selección automática)  
 Salidas de vídeo compuesto: 1.0 Vp-p (resistencia negativa 75 Ω/ohmios)  
 Señal de S-Video Y (brillo): 1.0 Vp-p (resistencia negativa 75 Ω/ohmios)  
 Señal C (color): 286 mVp-p (resistencia negativa 75 Ω/ohmios)  
 Componente: Señal Y (brillo): 1.0 Vp-p (resistencia negativa 75 Ω/ohmios)  
 Señal Cb (color): 0.7 Vp-p (resistencia negativa 75 Ω/ohmios)  
 Señal Cr (color): 0.7 Vp-p (resistencia negativa 75 Ω/ohmios)  
 Frecuencia de muestreo: 13,5 MHz

### Rendimiento de audio:

Relación S/N: 50 dB o superior  
 Nivel de salida RCA: 1,3 Vrms (resistencia negativa 10 kΩ/kohmios: 1 kHz 0 dB reproducción)  
 Nivel de salida de equilibrio: +18 dBm, 600 Ω/ohmios: 1 kHz, 0 dB reproducción  
 Distorsión: 0,3% o menor (con reproducción de 1 kHz 0 dB coseno onda, utilizando LPF)  
 Relación S/N: 65 dB o superior (con reproducción de 1 kHz 0 dB coseno onda, utilizando LPF y A-Filter)  
 Separación de canales: 65 dB o superior (estéreo, con reproducción de 1 kHz 0 dB coseno onda, utilizando LPF y A-Filter)

### Error reloj interno:

Respuesta de frecuencia (1 kHz base): Dentro del margen 0 ±3 dB a 20 hasta 20 kHz: fs = 44,1 kHz  
 Menos de 60 segundos por mes

### Dimensiones externas:

48,4 (ancho) x 44 (alto) x 375 (largo) mm

### Peso:

4,6 kg (sin incluir la tarjeta de memoria IC)

### Alimentación:

Adaptador CA (EPA-301DAN-06) Entrada: CA 120V, 60 Hz

### Consumo energético:

CC 6 V 1,8 A

### Condiciones del entorno:

Rango de temperatura de funcionamiento: 5 a 35°C  
 Rango de humedad de funcionamiento: 40 a 80%  
 Rango de temperatura de almacenamiento: -20 a 60°C (no incluye medio de reproducción)  
 Rango de humedad de almacenamiento: 42 a 90% (no incluye medio de reproducción)  
 1 año después de la compra (no incluye medio de reproducción)

### Periodo de garantía:

\* Con el objetivo de mejorar nuestros productos, las especificaciones y el diseño pueden verse sometidos a cambios sin previo aviso.

**MEMO**

# MEMO

## **DENON, Ltd.**

16-11, YUSHIMA 3-CHOME, BUNKYOU-KU, TOKYO 113-0034, JAPAN  
Telephone: (03) 3837-5321

Printed in Japan 511 3964 009



## Free Manuals Download Website

<http://myh66.com>

<http://usermanuals.us>

<http://www.somanuals.com>

<http://www.4manuals.cc>

<http://www.manual-lib.com>

<http://www.404manual.com>

<http://www.luxmanual.com>

<http://aubethermostatmanual.com>

Golf course search by state

<http://golfingnear.com>

Email search by domain

<http://emailbydomain.com>

Auto manuals search

<http://auto.somanuals.com>

TV manuals search

<http://tv.somanuals.com>