

10" Band Saw

(Model BS150LS)



PART NO. A03617 - 03-17-04
Copyright © 2004 Delta Machinery

 **DELTA**[®] *ShopMaster*[™]

To learn more about DELTA MACHINERY
visit our website at: www.deltamachinery.com.

For Parts, Service, Warranty or other Assistance,

please call **1-800-223-7278** (In Canada call **1-800-463-3582**).

ESPAÑOL: PÁGINA 25

SAFETY GUIDELINES - DEFINITIONS

This manual contains information that is important for you to know and understand. This information relates to protecting YOUR SAFETY and PREVENTING EQUIPMENT PROBLEMS. To help you recognize this information, we use the symbols below. Please read the manual and pay attention to these sections.

- ▲ DANGER** Indicates an imminently hazardous situation which, if not avoided, will result in death or serious injury.
- ▲ WARNING** Indicates a potentially hazardous situation which, if not avoided, could result in death or serious injury.
- ▲ CAUTION** Indicates a potentially hazardous situation which, if not avoided, may result in minor or moderate injury.
- CAUTION** Used without the safety alert symbol indicates potentially hazardous situation which, if not avoided, may result in property damage.

▲ WARNING **SOME DUST CREATED BY POWER SANDING, SAWING, GRINDING, DRILLING, AND OTHER CONSTRUCTION ACTIVITIES** contains chemicals known to cause cancer, birth defects or other reproductive harm. Some examples of these chemicals are:

- lead from lead-based paints,
- crystalline silica from bricks and cement and other masonry products, and
- arsenic and chromium from chemically-treated lumber.

Your risk from these exposures varies, depending on how often you do this type of work. To reduce your exposure to these chemicals: work in a well ventilated area, and work with approved safety equipment, always wear **MSHA/NIOSH** approved, properly fitting face mask or respirator when using such tools.

GENERAL SAFETY RULES



▲ WARNING **READ AND UNDERSTAND ALL WARNINGS AND OPERATING INSTRUCTIONS BEFORE USING THIS EQUIPMENT.** Failure to follow all instructions listed below, may result in electric shock, fire, and/or serious personal injury or property damage.

IMPORTANT SAFETY INSTRUCTIONS

Woodworking can be dangerous if safe and proper operating procedures are not followed. As with all machinery, there are certain hazards involved with the operation of the product. Using the machine with respect and caution will considerably lessen the possibility of personal injury. However, if normal safety precautions are overlooked or ignored, personal injury to the operator may result. Safety equipment such as guards, push sticks, hold-downs, featherboards, goggles, dust masks and hearing protection can reduce your potential for injury. But even the best guard won't make up for poor judgment, carelessness or inattention. Always use common sense and exercise caution in the workshop. If a procedure feels dangerous, don't try it. Figure out an alternative procedure that feels safer. **REMEMBER:** Your personal safety is your responsibility. For additional information please visit our website www.deltamachinery.com.

▲ WARNING This machine was designed for certain applications only. Delta Machinery strongly recommends that this machine not be modified and/or used for any application other than that for which it was designed. If you have any questions relative to a particular application, **DO NOT** use the machine until you have first contacted Delta to determine if it can or should be performed on the product.

**Technical Service Manager
Delta Machinery
4825 Highway 45 North
Jackson, TN 38305
(IN CANADA: 505 SOUTHGATE DRIVE, GUELPH, ONTARIO N1H 6M7)**

GENERAL SAFETY RULES

⚠ WARNING FAILURE TO FOLLOW THESE RULES MAY RESULT IN SERIOUS INJURY.

- 1. FOR YOUR OWN SAFETY, READ THE INSTRUCTION MANUAL BEFORE OPERATING THE MACHINE.** Learning the machine's application, limitations, and specific hazards will greatly minimize the possibility of accidents and injury.
- 2. WEAR EYE PROTECTION. ALWAYS USE SAFETY GLASSES.** Also use face or dust mask if cutting operation is dusty. Everyday eyeglasses are NOT safety glasses. **USE CERTIFIED SAFETY EQUIPMENT.** Eye protection equipment should comply with ANSI Z87.1 standards, hearing equipment should comply with ANSI S3.19 standards, and dust mask protection should comply with MSHA/NIOSH certified respirator standards. Splinters, air-borne debris, and dust can cause irritation, injury, and/or illness.
- 3. WEAR PROPER APPAREL.** Do not wear loose clothing, gloves, neckties, rings, bracelets, or other jewelry which may get caught in moving parts. Nonslip footwear is recommended. Wear protective hair covering to contain long hair.
- 4. DO NOT USE THE MACHINE IN A DANGEROUS ENVIRONMENT.** The use of power tools in damp or wet locations or in rain can cause shock or electrocution. Keep your work area well-lit to prevent tripping or placing arms, hands, and fingers in danger.
- 5. MAINTAIN ALL TOOLS AND MACHINES IN PEAK CONDITION.** Keep tools sharp and clean for best and safest performance. Follow instructions for lubricating and changing accessories. Poorly maintained tools and machines can further damage the tool or machine and/or cause injury.
- 6. CHECK FOR DAMAGED PARTS.** Before using the machine, check for any damaged parts. Check for alignment of moving parts, binding of moving parts, breakage of parts, and any other conditions that may affect its operation. A guard or any other part that is damaged **should be properly repaired or replaced.** Damaged parts can cause further damage to the machine and/or injury.
- 7. KEEP THE WORK AREA CLEAN.** Cluttered areas and benches invite accidents.
- 8. KEEP CHILDREN AND VISITORS AWAY.** Your shop is a potentially dangerous environment. Children and visitors can be injured.
- 9. REDUCE THE RISK OF UNINTENTIONAL STARTING.** Make sure that the switch is in the "OFF" position before plugging in the power cord. In the event of a power failure, move the switch to the "OFF" position. An accidental start-up can cause injury.
- 10. USE THE GUARDS.** Check to see that all guards are in place, secured, and working correctly to prevent injury.
- 11. REMOVE ADJUSTING KEYS AND WRENCHES BEFORE STARTING THE MACHINE.** Tools, scrap pieces, and other debris can be thrown at high speed, causing injury.
- 12. USE THE RIGHT MACHINE.** Don't force a machine or an attachment to do a job for which it was not designed. Damage to the machine and/or injury may result.
- 13. USE RECOMMENDED ACCESSORIES.** The use of accessories and attachments not recommended by Delta may cause damage to the machine or injury to the user.
- 14. USE THE PROPER EXTENSION CORD.** Make sure your extension cord is in good condition. When using an extension cord, be sure to use one heavy enough to carry the current your product will draw. An undersized cord will cause a drop in line voltage, resulting in loss of power and overheating. See the Extension Cord Chart for the correct size depending on the cord length and nameplate ampere rating. If in doubt, use the next heavier gauge. The smaller the gauge number, the heavier the cord.
- 15. SECURE THE WORKPIECE.** Use clamps or a vise to hold the workpiece when practical. Loss of control of a workpiece can cause injury.
- 16. FEED THE WORKPIECE AGAINST THE DIRECTION OF THE ROTATION OF THE BLADE, CUTTER, OR ABRASIVE SURFACE.** Feeding it from the other direction will cause the workpiece to be thrown out at high speed.
- 17. DON'T FORCE THE WORKPIECE ON THE MACHINE.** Damage to the machine and/or injury may result.
- 18. DON'T OVERREACH.** Loss of balance can make you fall into a working machine, causing injury.
- 19. NEVER STAND ON THE MACHINE.** Injury could occur if the tool tips, or if you accidentally contact the cutting tool.
- 20. NEVER LEAVE THE MACHINE RUNNING UNATTENDED. TURN THE POWER OFF.** Don't leave the machine until it comes to a complete stop. A child or visitor could be injured.
- 21. TURN THE MACHINE "OFF", AND DISCONNECT THE MACHINE FROM THE POWER SOURCE** before installing or removing accessories, before adjusting or changing set-ups, or when making repairs. An accidental start-up can cause injury.
- 22. MAKE YOUR WORKSHOP CHILDPROOF WITH PADLOCKS, MASTER SWITCHES, OR BY REMOVING STARTER KEYS.** The accidental start-up of a machine by a child or visitor could cause injury.
- 23. STAY ALERT, WATCH WHAT YOU ARE DOING, AND USE COMMON SENSE. DO NOT USE THE MACHINE WHEN YOU ARE TIRED OR UNDER THE INFLUENCE OF DRUGS, ALCOHOL, OR MEDICATION.** A moment of inattention while operating power tools may result in injury.
- 24. THE DUST GENERATED BY CERTAIN WOODS AND WOOD PRODUCTS CAN BE INJURIOUS TO YOUR HEALTH.** Always operate machinery in well-ventilated areas, and provide for proper dust removal. Use wood dust collection systems whenever possible.

ADDITIONAL SAFETY RULES FOR BAND SAWS

▲WARNING FAILURE TO FOLLOW THESE RULES MAY RESULT IN SERIOUS INJURY.

1. **DO NOT OPERATE THIS MACHINE UNTIL** it is assembled and installed according to the instructions.
2. **OBTAIN ADVICE** from your supervisor, instructor, or another qualified person if you are not familiar with the operation of this tool.
3. **FOLLOW ALL WIRING CODES** and recommended electrical connections.
4. **USE THE GUARDS WHENEVER POSSIBLE.** Check to see that they are in place, properly adjusted, secured, and working correctly.
5. **USE PROPER BLADE SIZE** and type.
6. **ADJUST THE UPPER BLADE GUIDE** so that it is about 1/8" above the workpiece.
7. **PROPERLY ADJUST** the blade tension, tracking, blade guides, and blade support bearings.
8. **KEEP ARMS, HANDS, AND FINGERS** away from the blade.
9. **AVOID AWKWARD OPERATIONS** and hand positions where a sudden slip could cause a hand to move into the blade.
10. **NEVER START THE MACHINE** before clearing the table of all objects (tools, scrap pieces, etc.).
11. **NEVER START THE MACHINE** with the workpiece against the blade.
12. **HOLD WORKPIECE FIRMLY** against the table. DO NOT attempt to saw a workpiece that does not have a flat surface against the table.
13. **HOLD WORKPIECE FIRMLY** and feed into blade at a moderate speed.
14. **NEVER REACH UNDER THE TABLE** while the machine is running.
15. **TURN THE MACHINE "OFF"** to back out of an uncompleted or jammed cut.
16. **MAKE "RELIEF" CUTS** prior to cutting long curves.
17. **TURN THE MACHINE "OFF"** and wait for the blade to stop prior to cleaning the blade area, removing debris near the blade, removing or securing workpiece, or changing the angle of the table. A coasting blade can be dangerous.
18. **NEVER PERFORM LAYOUT, ASSEMBLY,** or set-up work on the table/work area when the machine is running.
19. **TURN THE MACHINE "OFF" AND DISCONNECT THE MACHINE** from the power source before installing or removing accessories, before adjusting or changing set-ups, or when making repairs.
20. **TURN THE MACHINE "OFF"**, disconnect the machine from the power source, and clean the table/work area before leaving the machine. **LOCK THE SWITCH IN THE "OFF" POSITION** to prevent unauthorized use.
21. **ADDITIONAL INFORMATION** regarding the safe and proper operation of power tools (i.e. a safety video) is available from the Power Tool Institute, 1300 Sumner Avenue, Cleveland, OH 44115-2851 (www.powertoolinstitute.com). Information is also available from the National Safety Council, 1121 Spring Lake Drive, Itasca, IL 60143-3201. Please refer to the American National Standards Institute ANSI 01.1 Safety Requirements for Woodworking Machines and the U.S. Department of Labor OSHA 1910.213 Regulations.

SAVE THESE INSTRUCTIONS. Refer to them often and use them to instruct others.

POWER CONNECTIONS

A separate electrical circuit should be used for your machines. This circuit should not be less than #12 wire and should be protected with a 20 Amp time lag fuse. If an extension cord is used, use only 3-wire extension cords which have 3-prong grounding type plugs and matching receptacle which will accept the machine's plug. Before connecting the machine to the power line, make sure the switch (s) is in the "OFF" position and be sure that the electric current is of the same characteristics as indicated on the machine. All line connections should make good contact. Running on low voltage will damage the machine.

▲DANGER DO NOT EXPOSE THE MACHINE TO RAIN OR OPERATE THE MACHINE IN DAMP LOCATIONS.

MOTOR SPECIFICATIONS

Your machine is wired for 120 volt, 60 HZ alternating current. Before connecting the machine to the power source, make sure the switch is in the "OFF" position.

GROUNDING INSTRUCTIONS

⚠ DANGER THIS MACHINE MUST BE GROUNDED WHILE IN USE TO PROTECT THE OPERATOR FROM ELECTRIC SHOCK.

1. All grounded, cord-connected machines:

In the event of a malfunction or breakdown, grounding provides a path of least resistance for electric current to reduce the risk of electric shock. This machine is equipped with an electric cord having an equipment-grounding conductor and a grounding plug. The plug must be plugged into a matching outlet that is properly installed and grounded in accordance with all local codes and ordinances.

Do not modify the plug provided - if it will not fit the outlet, have the proper outlet installed by a qualified electrician.

Improper connection of the equipment-grounding conductor can result in risk of electric shock. The conductor with insulation having an outer surface that is green with or without yellow stripes is the equipment-grounding conductor. If repair or replacement of the electric cord or plug is necessary, do not connect the equipment-grounding conductor to a live terminal.

Check with a qualified electrician or service personnel if the grounding instructions are not completely understood, or if in doubt as to whether the machine is properly grounded.

Use only 3-wire extension cords that have 3-prong grounding type plugs and matching 3-conductor receptacles that accept the machine's plug, as shown in Fig. A.

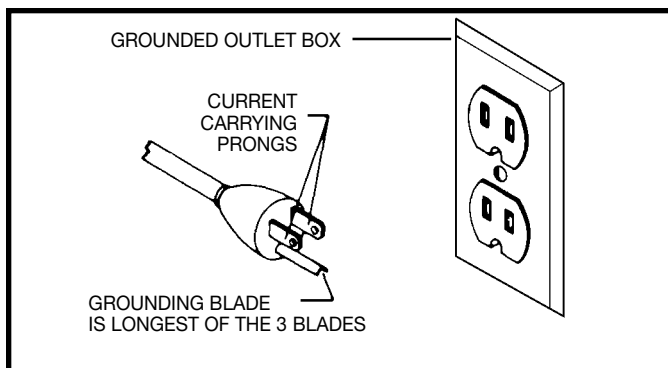


Fig. A

Repair or replace damaged or worn cord immediately.

2. Grounded, cord-connected machines intended for use on a supply circuit having a nominal rating less than 150 volts:

If the machine is intended for use on a circuit that has an outlet that looks like the one illustrated in Fig. A, the machine will have a grounding plug that looks like the plug illustrated in Fig. A. A temporary adapter, which looks like the adapter illustrated in Fig. B, may be used to connect this plug to a matching 2-conductor receptacle as shown in Fig. B if a properly grounded outlet is not available. The temporary adapter should be used only until a properly grounded outlet can be installed by a qualified electrician. The green-colored rigid ear, lug, and the like, extending from the adapter must be connected to a permanent ground such as a properly grounded outlet box. Whenever the adapter is used, it must be held in place with a metal screw.

NOTE: In Canada, the use of a temporary adapter is not permitted by the Canadian Electric Code.

⚠ DANGER IN ALL CASES, MAKE CERTAIN THAT THE RECEPTACLE IN QUESTION IS PROPERLY GROUNDED. IF YOU ARE NOT SURE, HAVE A QUALIFIED ELECTRICIAN CHECK THE RECEPTACLE.

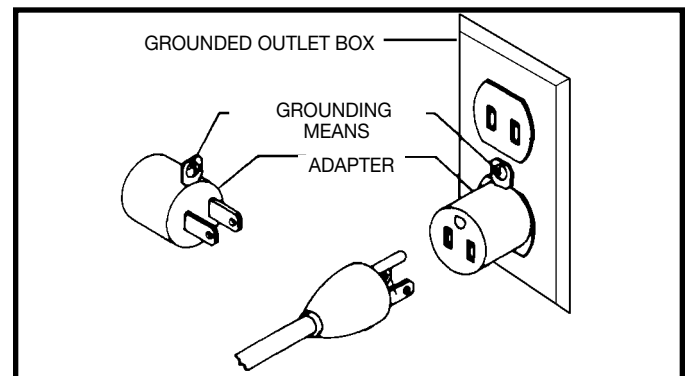


Fig. B

EXTENSION CORDS

CAUTION Use proper extension cords. Make sure your extension cord is in good condition and is a 3-wire extension cord which has a 3-prong grounding type plug and matching receptacle which will accept the machine's plug. When using an extension cord, be sure to use one heavy enough to carry the current of the machine. An undersized cord will cause a drop in line voltage, resulting in loss of power and overheating. Fig. D shows the correct gauge to use depending on the cord length. If in doubt, use the next heavier gauge. The smaller the gauge number, the heavier the cord.

120 VOLT MINIMUM GAUGE EXTENSION CORD			
RECOMMENDED SIZES FOR USE WITH STATIONARY ELECTRIC MACHINES			
Ampere Rating	Volts	Total Length of Cord in Feet	Gauge of Extension Cord
0-6	120	up to 25	18 AWG
0-6	120	25-50	16 AWG
0-6	120	50-100	16 AWG
0-6	120	100-150	14 AWG
6-10	120	up to 25	18 AWG
6-10	120	25-50	16 AWG
6-10	120	50-100	14 AWG
6-10	120	100-150	12 AWG
10-12	120	up to 25	16 AWG
10-12	120	25-50	16 AWG
10-12	120	50-100	14 AWG
10-12	120	100-150	12 AWG
12-16	120	up to 25	14 AWG
12-16	120	25-50	12 AWG
12-16	120	GREATER THAN 50 FEET NOT RECOMMENDED	

Fig. D

FUNCTIONAL DESCRIPTION

FOREWORD

The Delta ShopMaster Model BS150LS 10" Band Saw has a powerful 1/2 HP, ball-bearing motor for smooth performance and long life. The saw has a 7 inch depth of cut capacity. The BS150LS is supplied with a cast iron table and sturdy steel stand which provides heavy-duty support and a comfortable work height.

NOTICE: THE MANUAL COVER PHOTO ILLUSTRATES THE CURRENT PRODUCTION MODEL. ALL OTHER ILLUSTRATIONS ARE REPRESENTATIVE ONLY AND MAY NOT DEPICT THE ACTUAL COLOR, LABELING, OR ACCESSORIES, AND ARE INTENDED TO ILLUSTRATE TECHNIQUE ONLY.

UNPACKING AND CLEANING

Carefully unpack the machine and all loose items from the shipping container(s). Remove the protective coating from all unpainted surfaces. This coating may be removed with a soft cloth moistened with kerosene (do not use acetone, gasoline or lacquer thinner for this purpose). After cleaning, cover the unpainted surfaces with a good quality household floor paste wax.

CARTON CONTENTS

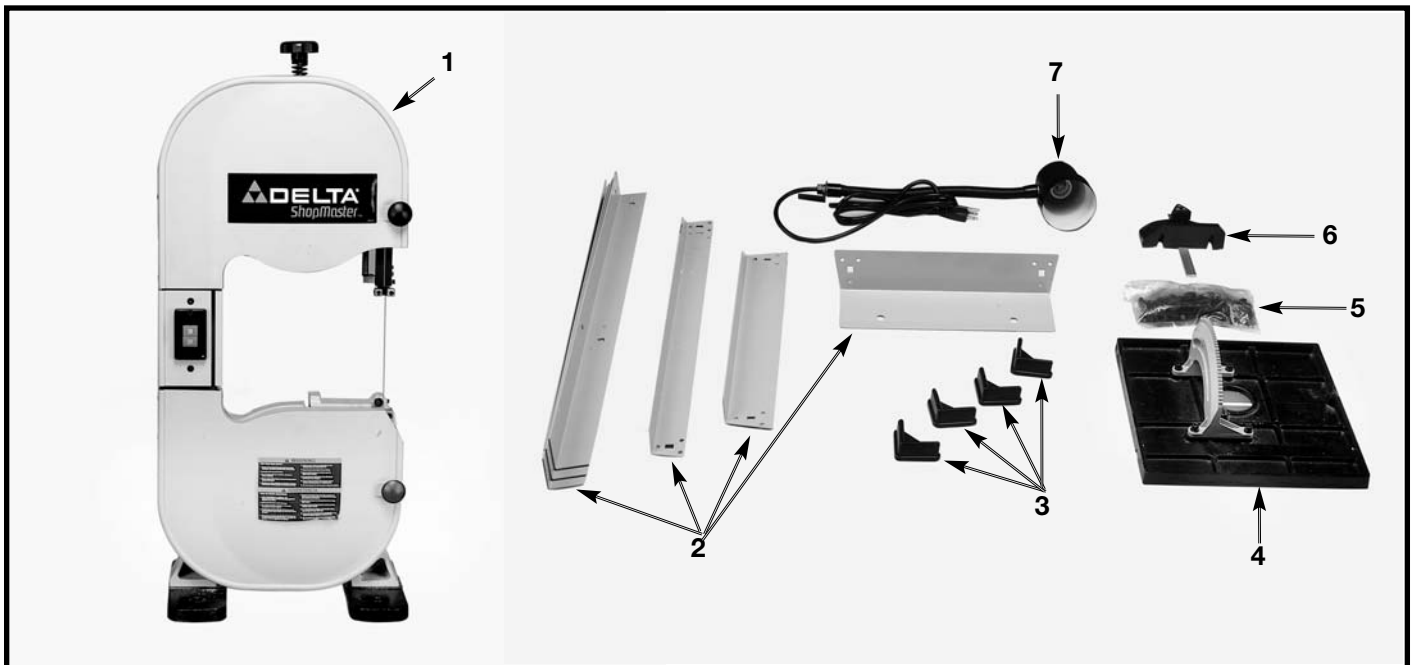


Fig. 1

1. Band Saw
2. Stand Brackets
3. Stand Feet
4. Table Assembly
5. Hardware Bag
6. Miter Gage
7. Lamp

BAND SAW ASSEMBLY PARTS

⚠ WARNING FOR YOUR OWN SAFETY, DO NOT CONNECT THE MACHINE TO THE POWER SOURCE UNTIL THE MACHINE IS COMPLETELY ASSEMBLED AND YOU READ AND UNDERSTAND THE ENTIRE INSTRUCTION MANUAL.

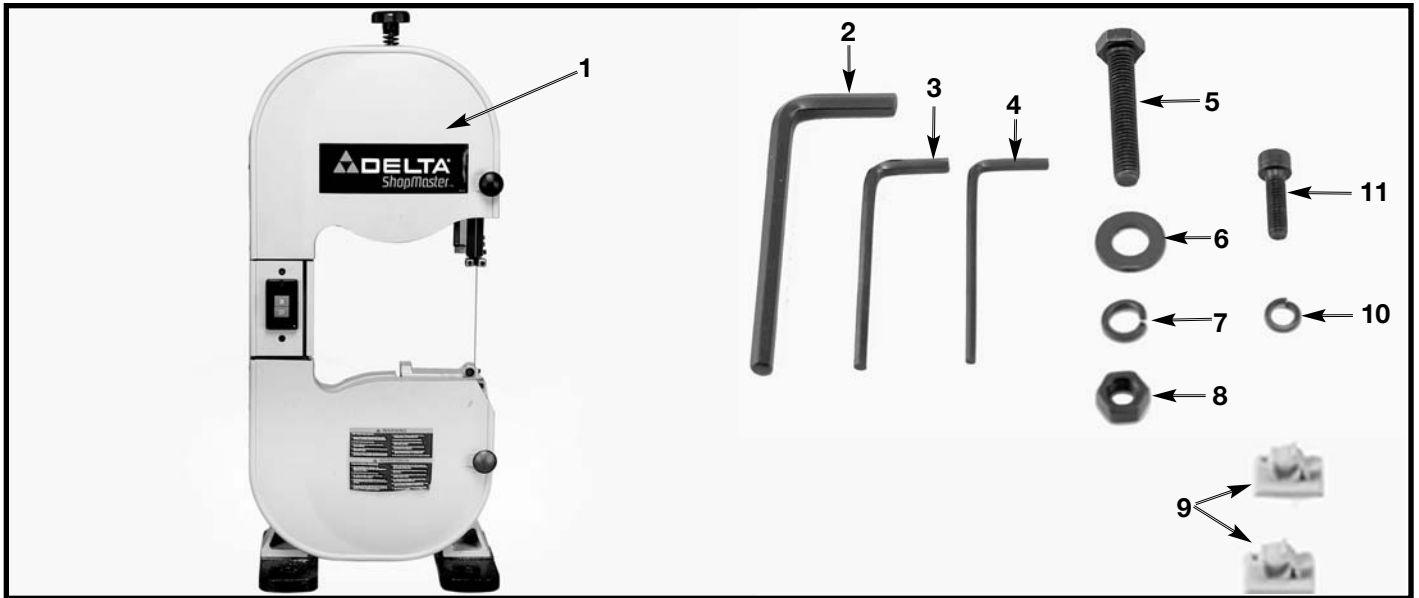


Fig. 2

- | | |
|---------------------------------|-----------------------------------------------------|
| 1. Band Saw | 6. 3/8" Flat Washer (8) |
| 2. 5mm Hex Wrench | 7. M8 Lock Washer (4) |
| 3. 4mm Hex Wrench | 8. M8 Hex Nut (4) |
| 4. 3mm Hex Wrench | 9. Lamp Cord Clamp (2) |
| 5. M8 x 45mm Hex Head Screw (4) | 10. M6 Lock Washer for Lamp (2) |
| | 11. M6 x 20mm Socket Head Nylock Screw for Lamp (2) |

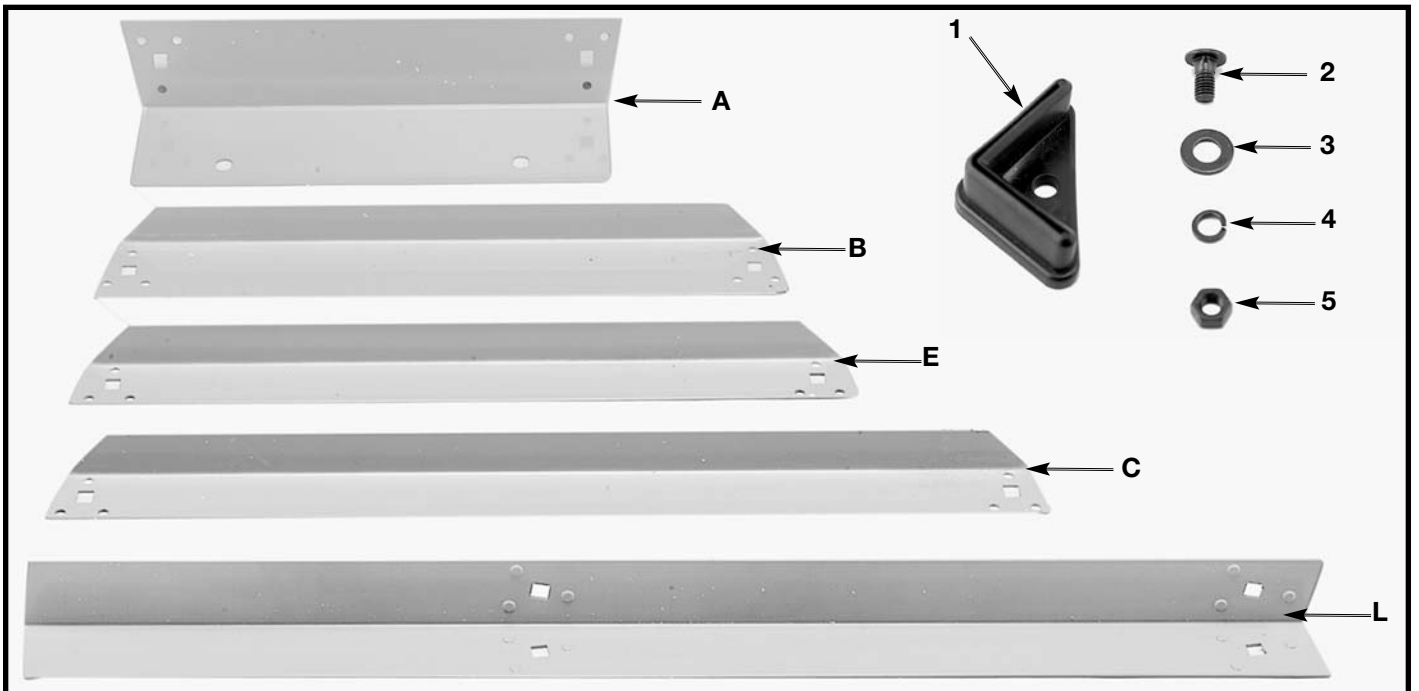


Fig. 3

- | | |
|-------------------------------------------|----------------------------------|
| A - Top Mounting Bracket Right & Left (2) | 1 - Feet (4) |
| B - Top Bracket Front & Back (2) | 2 - M8 x 16mm Carriage Bolt (16) |
| C - Lower Bracket Front & Back (2) | 3 - 3/8" Flat Washer (16) |
| E - Lower Bracket Right & Left (2) | 4 - M8 Lock Washer (16) |
| L - Stand Legs (4) | 5 - M8 Hex Nut (16) |

ASSEMBLY

⚠ WARNING FOR YOUR OWN SAFETY, DO NOT CONNECT THE MACHINE TO THE POWER SOURCE UNTIL THE MACHINE IS COMPLETELY ASSEMBLED AND YOU READ AND UNDERSTAND THE ENTIRE INSTRUCTION MANUAL.

STAND ASSEMBLY

1. Assemble stand as shown in Fig. 4, using parts shown in Fig. 3. The brackets and legs are identified with the same letter in both illustrations. Insert the M8 x 16mm carriage head screws through the legs and the brackets then place the 3/8" flat washers on the screws and secure with the M8 hex nuts. Only tighten nuts finger-tight at this time. **NOTE:** The top lips of top brackets (A) must fit on top of the front and back brackets (B).

2. Attach the four plastic feet (1) Fig. 4 to the bottom of each leg (L).

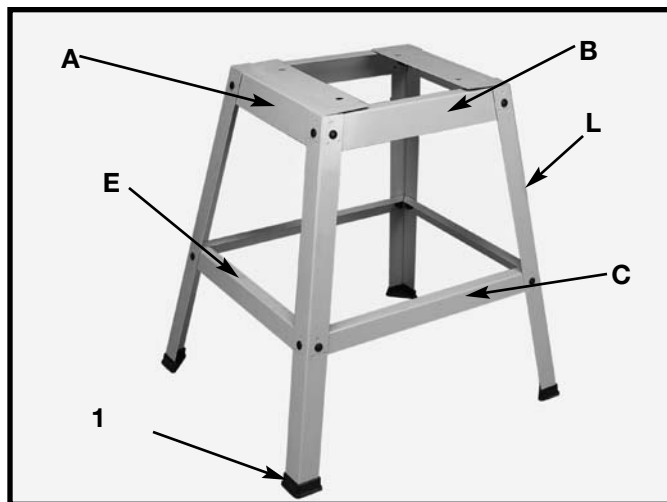


Fig. 4

BAND SAW TO STAND ASSEMBLY

1. Fig. 5 illustrates the four through holes (A) which will be used to secure the band saw to the stand.

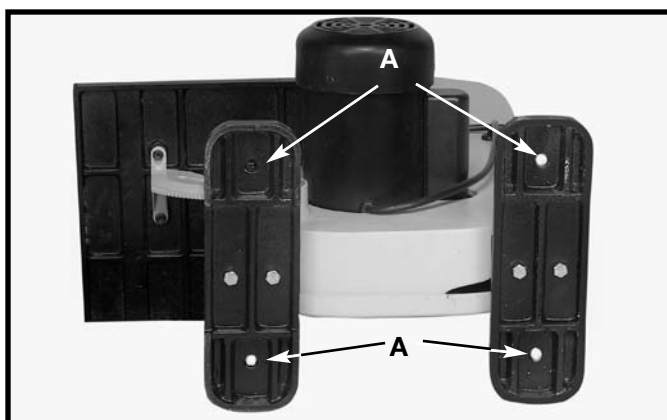


Fig. 5

2. Place the band saw on top of the stand and line up the holes (A) Fig. 5 with the holes (D) Fig. 6 on the top brackets of the stand.

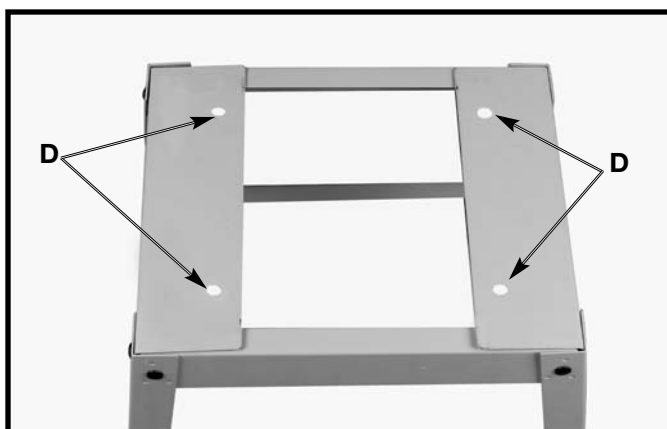


Fig. 6

3. Place a 3/8" flat washer (H) Fig. 7 on M8 x 45mm hex head screw. Insert the screw through the hole in the band saw and and through the hole in the stand. Repeat this process for the three remaining holes.

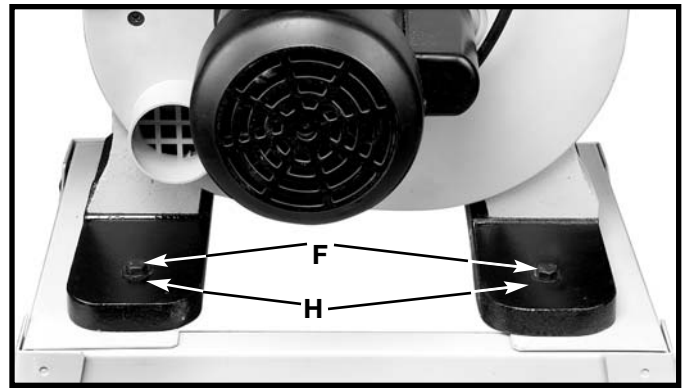


Fig. 7

4. Place a 3/8" flat washer on the screw (D) Fig. 8, followed by M8 lock washer, then thread a M8 hex nut on screw and tighten securely. Repeat this process for the three remaining holes.



Fig. 8

5. Push down on the top of the band saw, and make sure that all four stand feet are contacting the supporting surface. Tighten all stand hardware.

ASSEMBLING TABLE TO MACHINE

1. Remove table locking lever (A) Fig. 10 and table tilt pinion knob (B). Be careful not to lose these parts. (These components were assembled at the factory for transit purposes only).

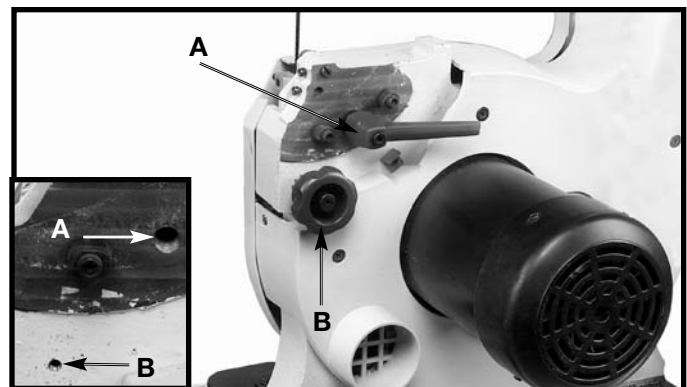


Fig. 10

2. Remove the keeper screw, washer and wing nut from the table slot (see Fig. 17 detail). Be careful not to lose these parts.

3. Place table (H) Fig. 11 on the band saw frame so that the keepers (K) protrude through the slot of the trunnion (L).

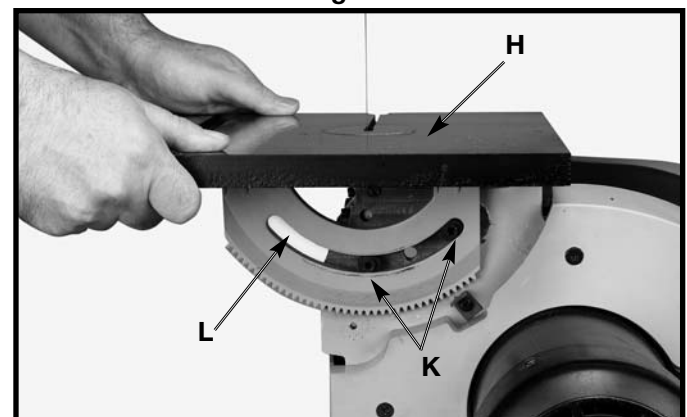


Fig. 11

4. Re-assemble the locking lever stud (G) Fig. 12 through the trunion slot (L) and tighten with the locking lever handle (see inset).

5. Fig. 13 shows the table locking lever disassembled (removed in **STEP 1**). Item (B) is a M10 flat washer, (G) stud, (A) Locking Lever, (E) spring, (D) shoulder screw, and (C) 4mm hex wrench.

6. Re-assemble the screw (D) Fig.13A and tighten using 4mm hex wrench provided.

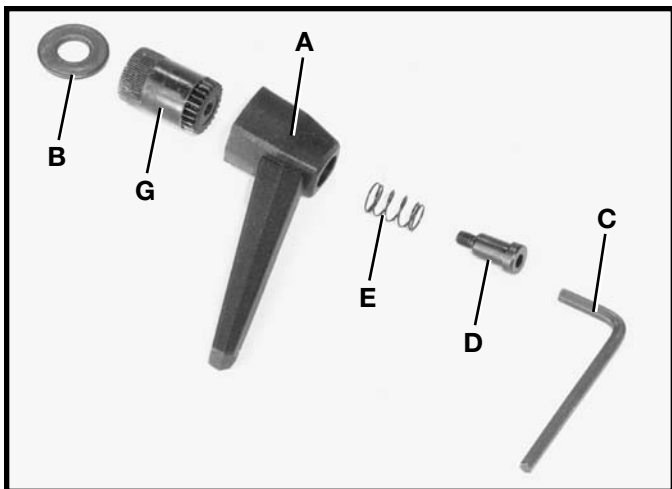


Fig. 13

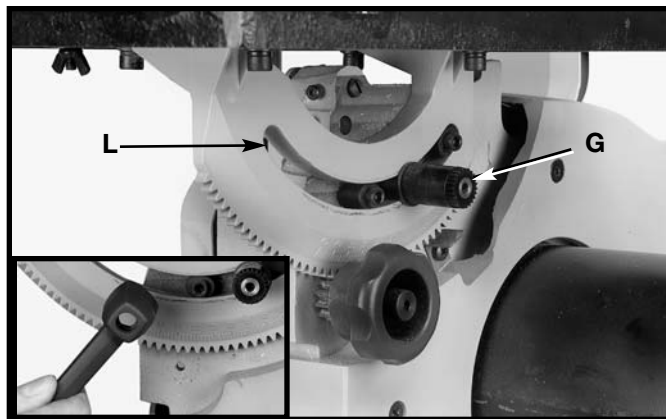


Fig. 12



Fig. 13A

7. Fig. 14 shows the disassembled table tilt pinion knob (N), spring (O), and special screw (P), removed in **STEP 1**.

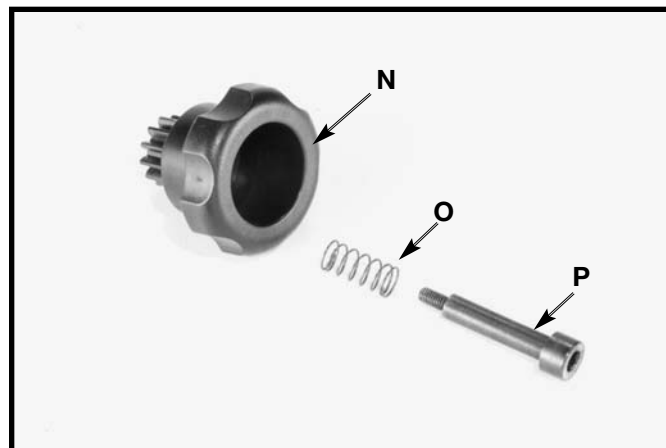


Fig.14

8. Re-assemble the table tilt pinion knob (N) Fig. 15, on the back of saw so that the teeth on the pinion knob (N) engage the teeth on the trunnion (R). Fasten in place with the special screw (P) and spring using the 4mm wrench provided.

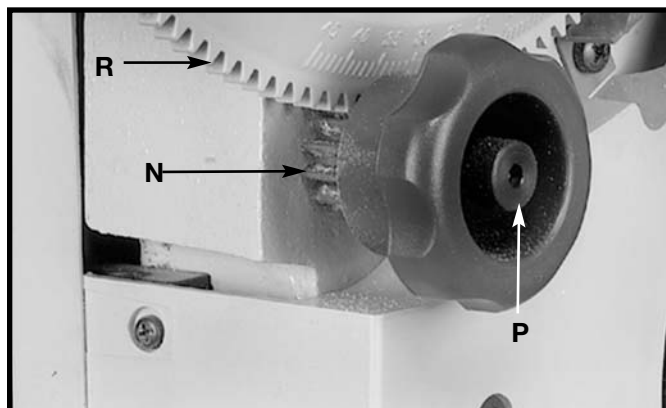


Fig.15

9. Loosen the screw (T) Fig. 16 and align pointer (S) with "0" mark on the trunnion scale (M). Tighten securely.

NOTE: Make sure table is set at 90 degrees to the blade or check the pointer alignment after adjusting the table stops (see section "**ADJUSTING THE TABLE POSITIVE STOPS**").

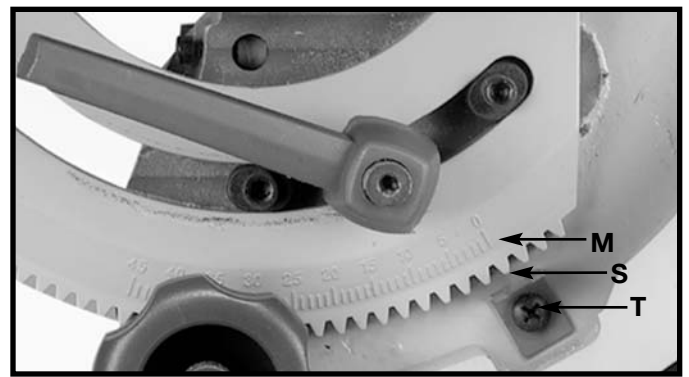


Fig.16

10. Re-assemble the screw (W) Fig. 17 that was removed in **STEP 2**, down through hole in table. Place the M6 flat washer (Z) on the M6 x 30mm screw, then thread the M6 wing nut (X) on the screw (W) and tighten securely.

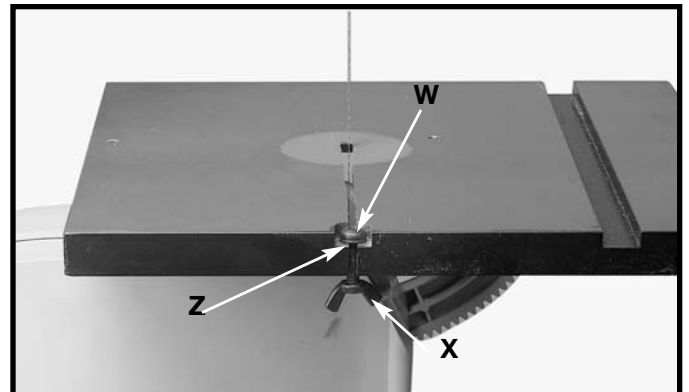


Fig. 17

ATTACHING LAMP TO MACHINE

1. Fasten the lamp bracket (A) Fig. 18 to the top cover of the machine, using two M6 x 20mm socket head nylock screws (B) and M6 lockwashers. Tighten securely using the 5mm hex wrench provided.

2. Peel the backing from the cord clamps (C) Fig. 19, and apply one clamp at each of the locations shown. Make certain the lamp cord is routed out of the way of the blade, then secure the cord (D) to the cord clamps (C) Fig. 19.

3. The flexible lamp operates independently of the band saw. To turn the lamp on and off, rotate the switch (E) Fig. 19.

⚠ WARNING To reduce the risk of fire, use 40 watt (or less), 120 volt, reflector track type light bulb (not supplied). A standard household light bulb should not be used. The reflector track type light bulb should not extend below the lamp shade.

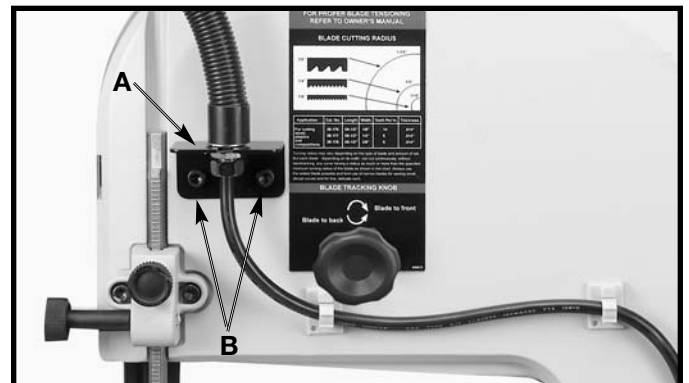


Fig. 18

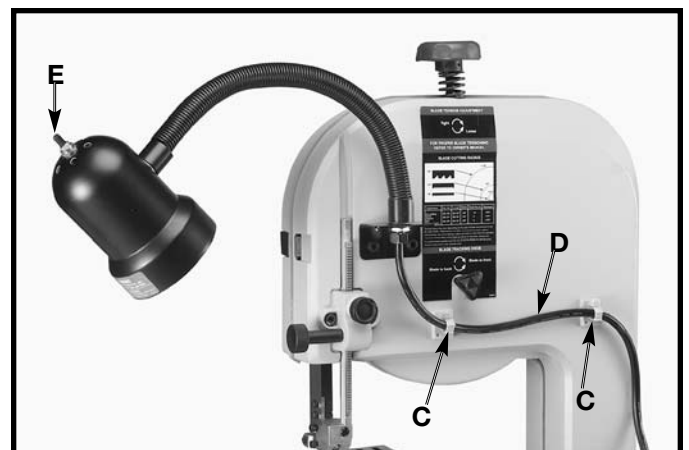


Fig. 19

OPERATING CONTROLS AND ADJUSTMENTS

STARTING AND STOPPING SAW

The "ON/OFF" switch is located on the front side of the band saw. To turn the saw "ON", push the button (A) Fig. 21 in to the "ON" position. To turn the saw "OFF", push the button (B) Fig. 22 in to the "OFF" position.

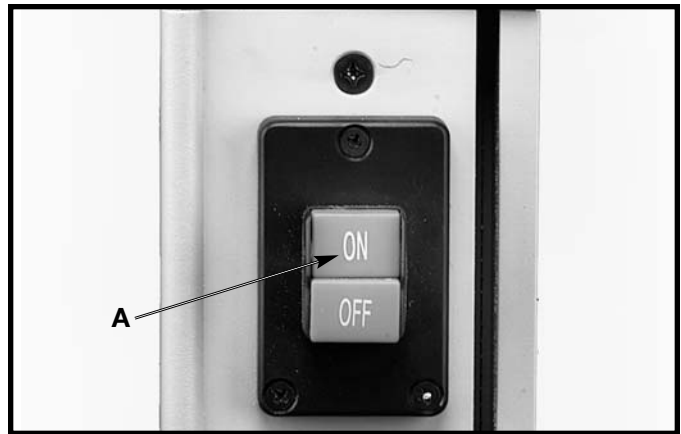


Fig. 21

LOCKING SWITCH IN THE "OFF" POSITION

IMPORTANT: When the tool is not in use, the switch should be locked in the "OFF" position to prevent unauthorized use, using a padlock (C) Fig. 22 with a 3/16" diameter shackle.

In the event of a power outage, always lock the switch in the "OFF" position until the main power is restored.

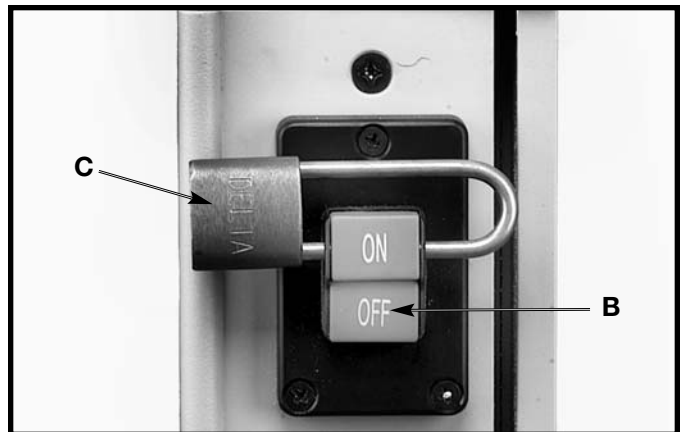


Fig. 22

OPENING AND CLOSING DOORS

When making adjustments such as changing the blade, tracking the blade, blade guide adjustments, etc., the doors (B) Fig. 23 can be opened as follows:

⚠ WARNING NEVER OPEN THE DOOR WHEN THE MACHINE IS RUNNING.

1. Pull out the two locking latches (A) Fig. 23, and swing doors (B) open.
2. Fig. 23A illustrates the doors (B) in open position.
3. To close and fasten doors (B) Fig. 23, press on the doors directly over the latches (A) until the latches snap into the locking position.



Fig. 23

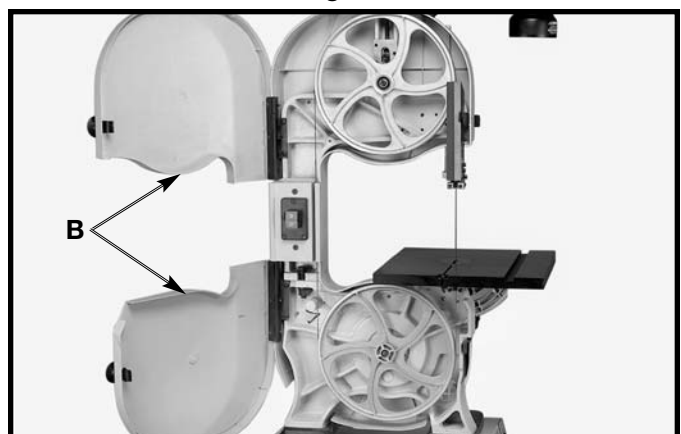


Fig. 23A

ADJUSTING BLADE TENSION

Blades of 1/8", 1/4", and 3/8" in width by 59-1/2" in length are available for use with your band saw. **NOTE:** The blade tension must be adjusted to accommodate different blade widths in order to provide proper blade tracking, cutting performance, and blade life.

⚠ WARNING DISCONNECT MACHINE FROM POWER SOURCE.

1. To install the desired blade, loosen screw (E) Fig. 25 with 5mm hex wrench provided and turn the tension knob (A) Fig. 24, clockwise until the spring (B) begins to compress.
2. Turn the tension knob (A) Fig. 24 an additional 2-1/2 turns for 1/8" wide blades; 3 turns for 1/4" wide blades; and 4 turns for 3/8" wide blades. Tighten the screw (E) Fig. 25.
3. A chart (C) Fig. 24 is located at the rear of the band saw. This chart shows blade size, and the minimum radius that can be cut with each size blade.

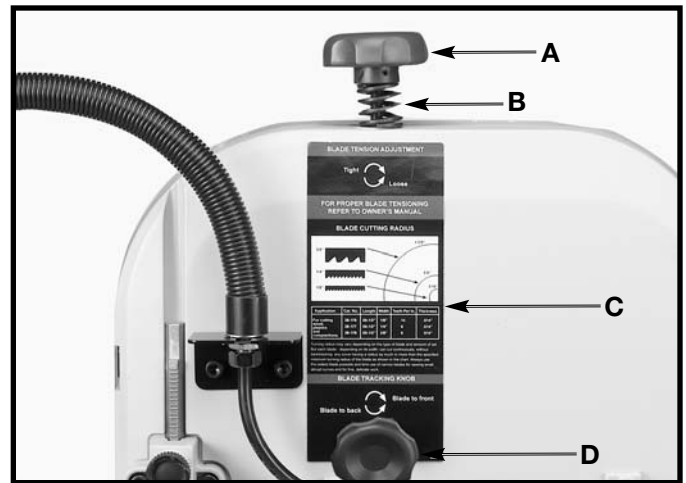


Fig. 24

TRACKING THE BLADE

⚠ WARNING DISCONNECT MACHINE FROM POWER SOURCE.

1. Before tracking the blade, make sure that the blade guides and blade support bearings are clear of the blade so as not to interfere with the tracking adjustment. Also make sure that the blade is tensioned properly. (Refer to section "ADJUSTING BLADE TENSION").
2. Open the hinged door (C) Fig. 25.
3. Rotate upper wheel (A) Fig. 25, clockwise by hand and check to see if the blade (B) rides true on the approximate center of the two wheels.
4. If an adjustment is necessary, turn the blade tracking knob (D) Fig. 24 and/or Fig. 26, clockwise to move the blade to the rear, and counterclockwise to move the blade to the front. **NOTE:** Turn the blade tracking knob (D) in small intervals to adjust the blade tracking.

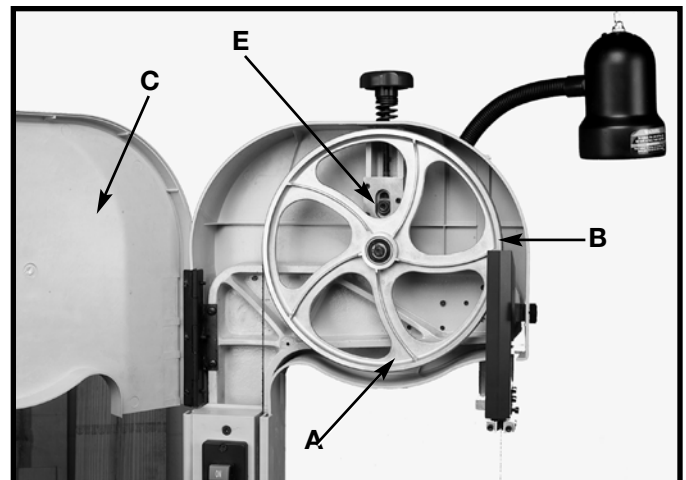


Fig. 25

ADJUSTING UPPER BLADE GUIDE ASSEMBLY

The upper blade guide assembly (A) Fig. 26 should always be no more than 1/8" above or as close as possible to the top surface of the workpiece being cut. Loosen knob (B), rotate knob (C) and position the guide assembly (A) to the desired position. Then tighten the knob (B).

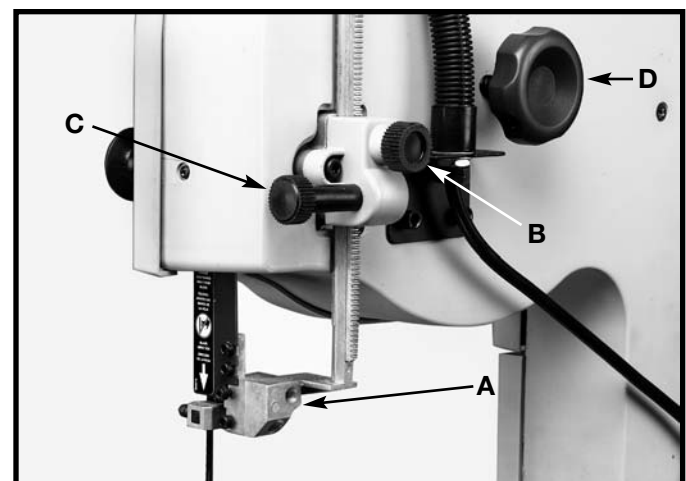


Fig. 26

ADJUSTING UPPER BLADE GUIDES AND BLADE SUPPORT BEARING

IMPORTANT: BOTH THE UPPER AND LOWER BLADE GUIDES MUST BE PROPERLY ADJUSTED TO PREVENT THE BLADE FROM TWISTING DURING OPERATION.

⚠ WARNING DISCONNECT MACHINE FROM POWER SOURCE.

⚠ WARNING UPPER BLADE GUARD (B) FIG. 27 IS SHOWN REMOVED FOR CLARITY. ALWAYS MAKE SURE THE UPPER BLADE GUARD IS INSTALLED AND PROPERLY ADJUSTED BEFORE OPERATING THE BAND SAW.

1. Loosen the two screws (C) Fig. 27, and adjust the blade guides (D) as close as possible to the sides of the saw blade, being careful not to pinch the blade. Tighten the two screws (C).
2. Loosen screw (E) Fig. 27, and move the guide bracket (F) in or out until the front edge of the guides (D) are just behind the “gullets” of the blade teeth. Tighten screw (E).
3. The upper blade support thrust bearing (G) Fig. 27 prevents the saw blade from being pushed back too far when cutting. The support bearing (G) should be adjusted approximately 1/32" behind the blade. The blade should also overlap the outside diameter of the ball bearing by approximately 1/8". To adjust:
4. Loosen screw (H) Fig. 28, and slide support bearing (G) in or out until it is approximately 1/32" behind the saw blade.
5. The upper blade support bearing (G) Fig. 27, is set on an eccentric shaft. To change position of bearing (G), use a straight screwdriver, rotate shaft (J) Fig. 28, until the blade properly overlaps the support bearing. Then tighten screw (H).

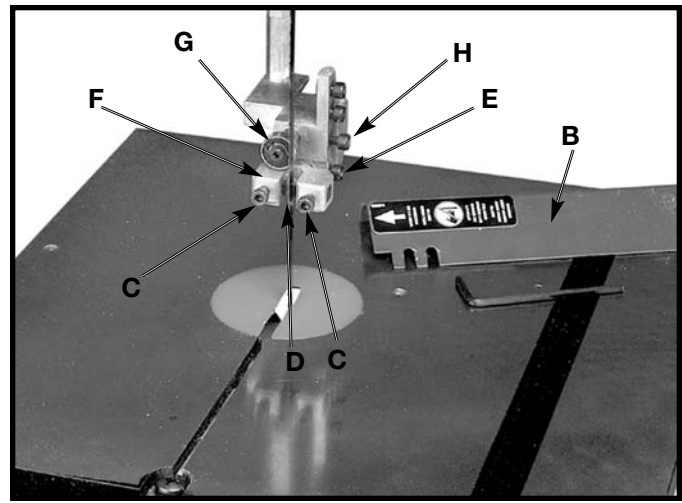


Fig. 27

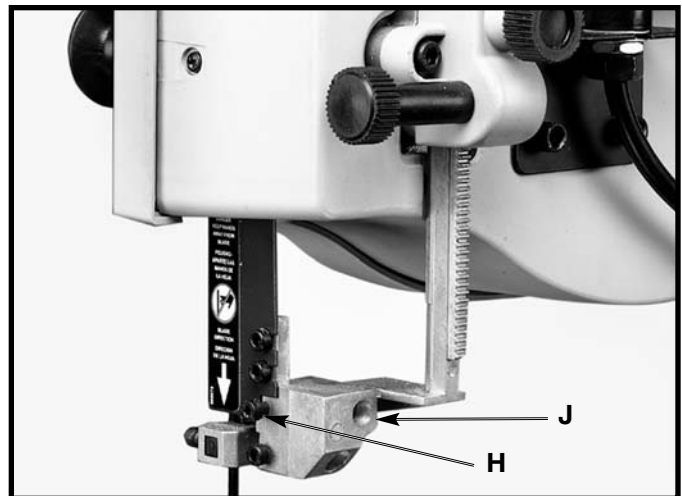


Fig. 28

ADJUSTING LOWER BLADE GUIDES AND BLADE SUPPORT BEARING

The lower blade guides and blade support bearing should be adjusted at the same time as the upper guides and support bearings as follows:

⚠ WARNING DISCONNECT MACHINE FROM POWER SOURCE.

1. Loosen two screws (A) Fig. 29, and move guides (B) as close as possible to the sides of the blade. Be careful not to pinch the blade. Tighten the two screws (A). **NOTE:** In Fig. 29, the table has been removed for clarity.

2. The front edge of the blade guides (B) Fig. 29 should be adjusted so they are just behind the “gullets” of the blade teeth. Loosen screw (C), and move the assembly (D) in or out as necessary. Tighten screw (C).

3. The lower blade support thrust bearing (E) Fig. 29 prevents the saw blade from being pushed back too far during cutting. The support bearing should be adjusted approximately 1/32" behind the blade. Loosen screw (F) Fig. 29, and move the bearing shaft (G) in or out as necessary. Tighten screw (F).

4. The lower blade support bearing (E) Fig. 29 should also be adjusted so that the blade overlaps the outside diameter of the ball bearing by approximately 1/8". The blade support bearing (E) is set on an eccentric shaft. To change the position of the bearing (E), loosen the screw (F) Fig. 29 and rotate the shaft (G) Fig 30 until the blade properly overlaps the support bearing. Tighten screw (F) Fig. 29.

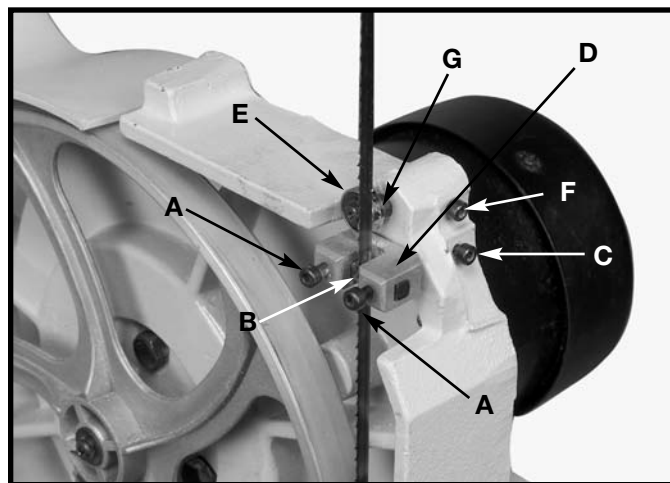


Fig. 29

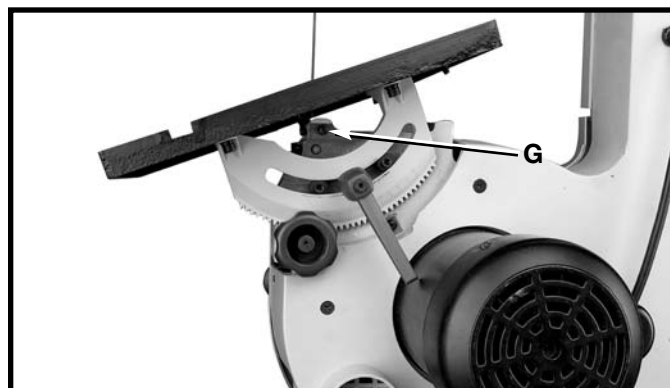


Fig. 30

TILTING THE TABLE

The table can be tilted 45 degrees to the right. To tilt the table, loosen lock handle (A) Fig. 31 and turn knob (B) clockwise until desired angle is established. Then tighten lock handle (A). **NOTE:** The table lock handle (A) can be repositioned by pulling out on the handle and repositioning it on the nut located underneath the hub of the handle. A scale (C) and pointer (D) are provided to indicate the degree of tilt.

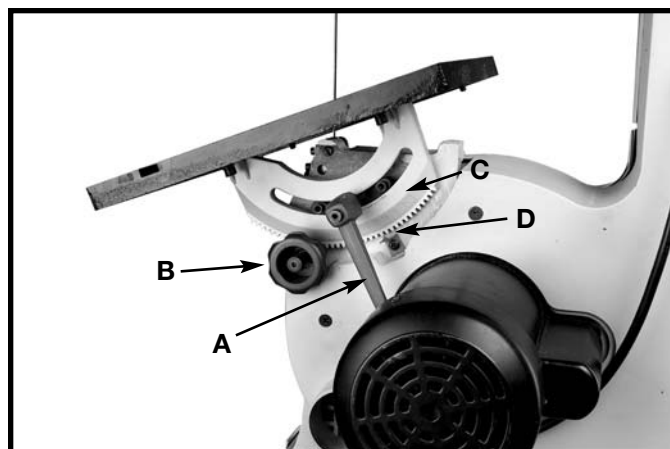


Fig. 31

ADJUSTING THE TABLE POSITIVE STOPS

Positive stops are provided for the table at the 90 and 45 degree angle to the blade. To check and adjust the positive stops:

⚠ WARNING DISCONNECT MACHINE FROM POWER SOURCE.

1. Tilt the table to the 90 degree position as shown in Fig. 32 and tighten lock handle (A). Place a square (H) on the table and against the blade and check to see if the blade is 90 degrees to the table surface. If an adjustment is necessary:

2. Tilt the table to expose the lock nut (E) Fig. 33. Loosen lock nut (E) and return table to the 90° position. With the lock handle (A) Fig. 32 loose, turn the adjusting screw (F) Fig. 34, using the 3mm hex wrench provided until the blade is 90 degrees to the table. Then tighten lock handle (A) and lock nut (E) on the adjustment screw (F).

3. Tilt the table to the 45 degree position as shown in Fig. 34. Place a square (H) Fig. 34 on the table and against the blade and check to see if the blade is 45 degrees to the table surface. If an adjustment is necessary:

4. Loosen the lock nut (N) Fig. 33 on the adjustment screw (J) located on the underside of the table. With the lock handle (A) Fig. 34 loose, turn adjustment screw (J) using 3mm hex wrench provided until the blade is 45 degrees to the table. Tighten lock handle (A) and lock nut (N) on the adjustment screw (J).

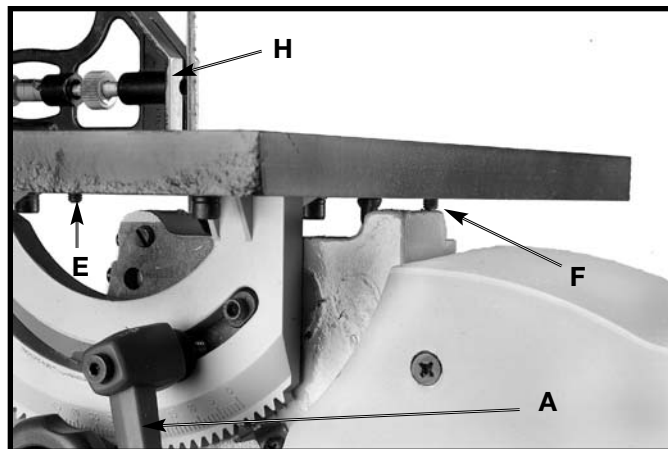


Fig. 32



Fig. 33

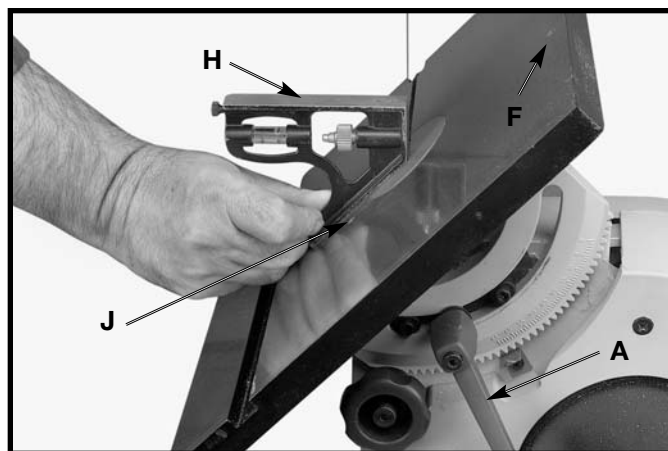


Fig. 34

CHANGING BLADES

To change blades:

⚠ WARNING DISCONNECT MACHINE FROM POWER SOURCE.

1. Pull door latches (A) Fig. 35 and open doors (B).
 2. Loosen the two screws (C) Fig. 36, and remove the blade guard (D).
 3. To release tension on the band saw blade loosen screw (E) and turning tension knob (G) Fig. 35 counterclockwise.
 4. Remove table alignment screw (F) Fig. 37.
 5. Slip the blade off both wheels and guide it out through the slot in the table.
 6. Check the new blade to make sure that the teeth will point down toward the table when installed. **IF NOT, CAREFULLY TURN THE BLADE INSIDE OUT.**
 7. Place the new blade onto wheels and adjust the blade tension, blade guides, and tracking as described previously in this manual.
 8. Replace the blade guard, (removed in **STEP 2**), and the table alignment screw (removed in **STEP 4**). Tighten both securely.
- ⚠ WARNING ALWAYS MAKE SURE THE UPPER BLADE GUARD IS INSTALLED AND PROPERLY ADJUSTED BEFORE OPERATING THE BAND SAW.**
9. Close the doors (B) Fig. 35 before operating saw.
 10. To use the miter gage as shown in Fig. 40, insert the miter gage guide bar into miter gage slot (S) Fig. 37 and adjust it to the desired angle.

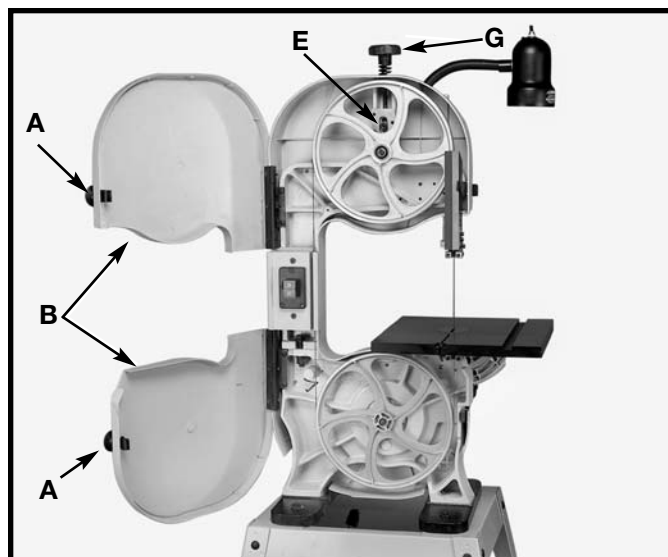


Fig. 35

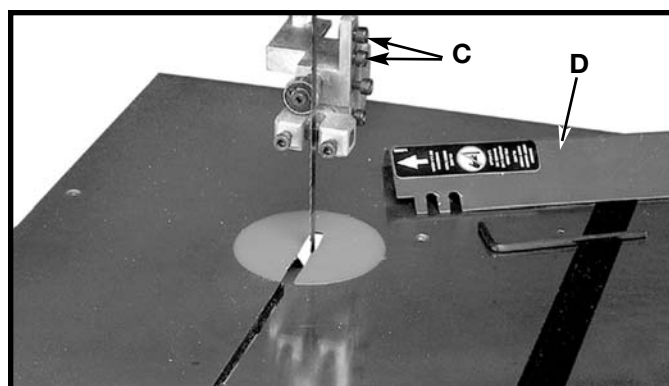


Fig. 36

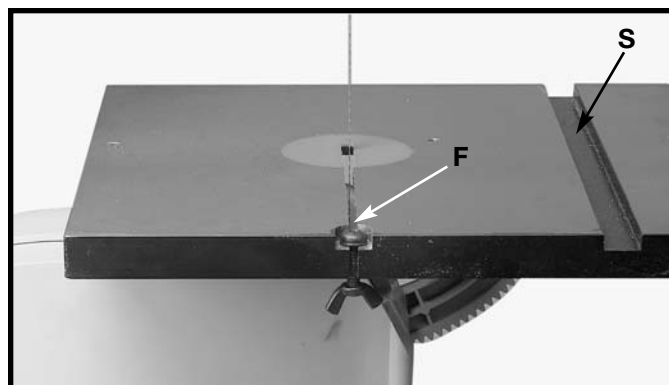


Fig. 37

DUST PORT

A dust port (A) Fig. 38, is provided to connect your band saw to a standard shop vacuum or dust collector. The opening of the dust port is 2-1/4" I.D.

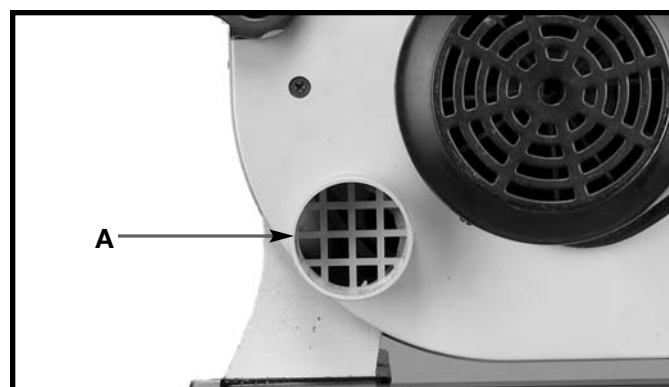


Fig. 38

USING THE BAND SAW

Before starting the machine, see that all adjustments are properly made and the guards are in place. Turn the upper wheel by hand to make sure that everything is correct **BEFORE** turning on the power.

Keep the top guide within 1/8" of the work piece at all times. Do not force the material against the blade. Light pressure on the work piece will produce a smoother cut, and prevent excess friction, heating, and hardening of the blade.

KEEP THE SAW BLADE SHARP. Very little forward pressure is required for normal cutting. Keep the workpiece moving at a slow and consistent rate against the blade to ensure a smooth and accurate cut.

Avoid twisting the blade by trying to turn sharp corners. Remember, you must saw around corners.

CUTTING CURVES

When cutting curves, turn the stock carefully so that the blade follows without twisting. If a curve is so abrupt that it is necessary to repeatedly back up and cut a new kerf, a narrower blade, a blade with more set, or additional relief cuts Fig. 39, may be necessary to allow the blade to cut more efficiently. The more set a blade has, the easier it will allow the stock to be turned, but the cut is usually rougher than where a medium amount of set is used.

When withdrawing the piece being cut, changing the cut, or for any other reason, be careful not to accidentally draw the blade off the wheels. In most cases, it is easier and safer to turn the stock and saw out through the waste material, rather than try to withdraw the stock from the blade.

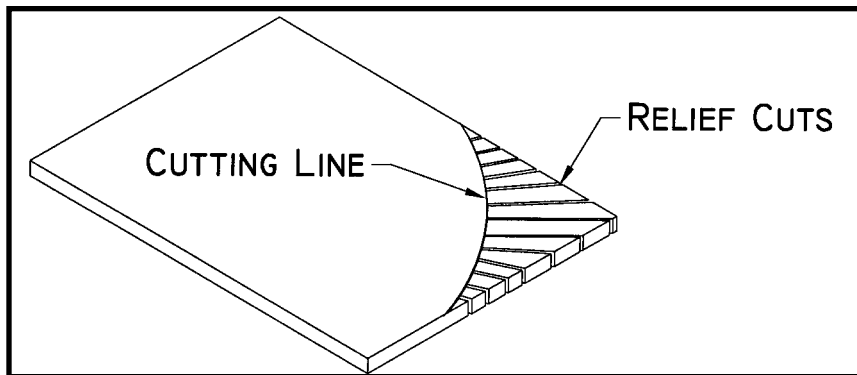


Fig. 39

Fig. 40 illustrates a typical cross-cutting operation using the miter gage. Notice how the upper blade guide assembly (A) is set slightly above the work surface (B).

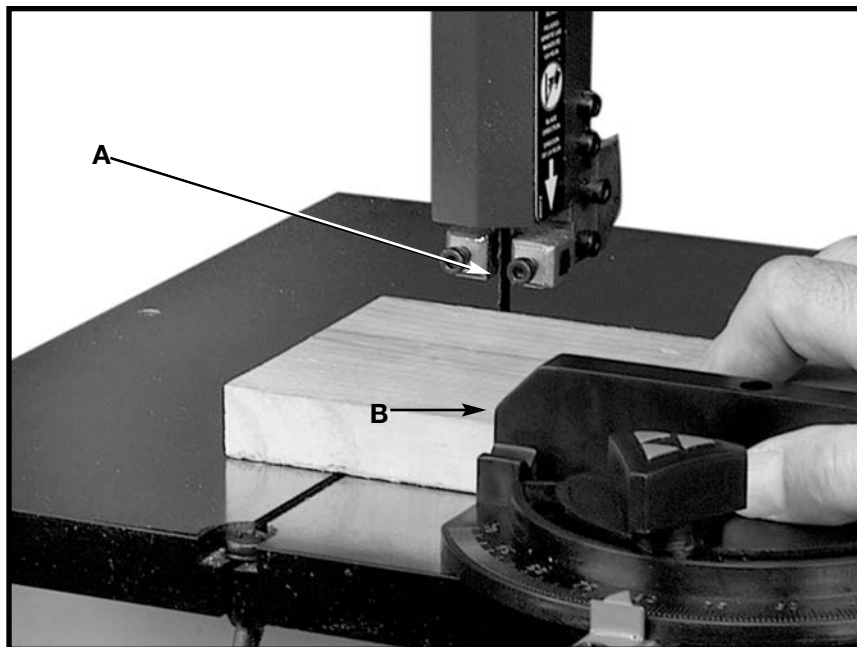


Fig. 40

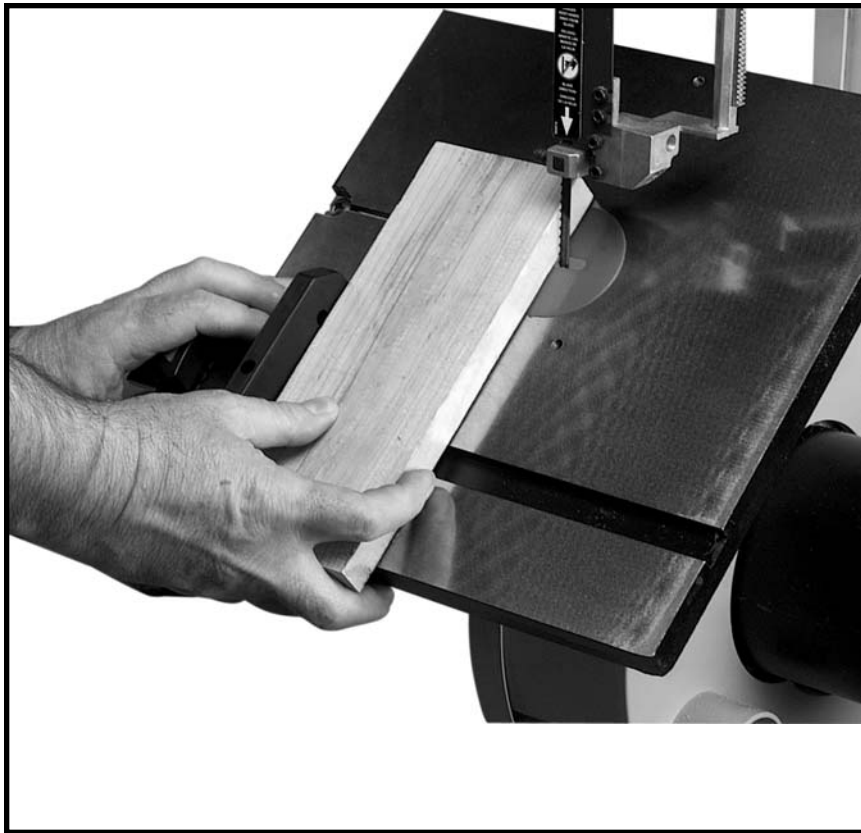


Fig. 41

Fig. 41 illustrates a typical bevel cutting operation using the accessory miter gage.



Fig. 42

Fig. 42 illustrates a typical resawing application using the accessory rip fence.

TROUBLESHOOTING GUIDE

In spite of how well a band saw is maintained, problems can occur. The following troubleshooting guide will help you solve the more common problems:

Trouble: *SAW WILL NOT START.*

Probable Cause

1. Saw not plugged in.
2. Fuse blown or circuit breaker tripped.
3. Cord damaged.

Remedy

1. Plug in saw.
2. Replace fuse or reset circuit breaker.
3. Have cord replaced.

Trouble: *BREAKER KICKS OUT FREQUENTLY.*

Probable Cause

1. Extension cord too light or too long.
2. Feeding stock too fast.
3. Blade in poor condition (dull, warped, gummed).
4. Low voltage supply.

Remedy

1. Replace with adequate size cord.
2. Feed stock more slowly.
3. Clean or replace blade.
4. Contact an electrician.

Trouble: *BAND SAW VIBRATES EXCESSIVELY.*

Probable Cause

1. Machine not mounted securely to stand.
2. Stand on uneven surface.
3. Worn belt.
4. Pulley not aligned.
5. Motor not fastened securely.

Remedy

1. Tighten all mounting hardware.
2. Reposition on flat level surface.
3. Replace belt.
4. Adjust pulleys.
5. Tighten all mounting hardware.

Trouble: *BAND SAW DOES NOT COME UP TO SPEED.*

Probable Cause

1. Low voltage due to improper extension cord size.
2. Low voltage.

Remedy

1. Replace with adequate size cord.
2. Contact an electrician.

Trouble: *BLADES BREAK.*

Probable Cause

1. Blade not tensioned properly.
2. Blade guides improperly adjusted.
3. Blade support bearing improperly adjusted.
4. Blade wheel tracking adjustment improperly set.
5. Bad weld on blade.
6. Worn tires.
7. Forcing wide blade around short radius.
8. Dull blade or insufficient set.
9. Upper blade guide set too high.
10. Continuous running of machine when not actually cutting.

Remedy

1. Adjust blade tension.
2. Check and adjust blade guides.
3. Adjust blade support bearing.
4. Check and adjust blade tracking.
5. Replace the blade.
6. Replace tires.
7. Change to a narrower blade.
8. Replace blade.
9. Set upper blade guide within 1/8" of workpiece.
10. Turn off machine when not performing cutting operation.

(continued on next page)

Trouble: *BLADE WILL NOT TRACK.*

Probable Cause

1. Blade too loose
2. Upper wheel not properly adjusted.
3. Improperly adjusted blade support bearing.

Remedy

1. Adjust tension
2. Adjust upper wheel.
3. Adjust blade support bearing.

Trouble: *CUT DOES NOT AGREE WITH SETTING ON THE TILT SCALE.*

Probable Cause

1. Pointer out of adjustment

Remedy

1. Adjust pointer.

Trouble: *BLADE WILL NOT STAY ON WHEEL.*

Probable Cause

1. Blade not tensioned properly.
2. Blade guides improperly adjusted.
3. Blade support bearing improperly adjusted.
4. Blade wheel not tracking properly.
5. Bad weld on blade.
6. Worn tires.

Remedy

1. Adjust blade tension.
2. Check and adjust blade guides.
3. Adjust blade support bearing.
4. Check and adjust blade tracking.
5. Replace the blade.
6. Replace tires.

Trouble: *BAND SAW MAKES UNSATISFACTORY CUTS.*

Probable Cause

1. Blade not tensioned properly.
2. Blade guides improperly adjusted.
3. Blade support bearing improperly set.
4. Blade wheel not tracking properly.
5. Bad weld on blade.
6. Worn tires.
7. Incorrect blade for work being done.
8. Dull blade or insufficient set.
9. Upper blade guide set too high.

Remedy

1. Adjust blade tension.
2. Check and adjust blade guides.
3. Adjust blade support bearing.
4. Check and adjust blade tracking.
5. Replace the blade.
6. Replace tires.
7. Change the blade.
8. Replace blade.
9. Set upper blade guide within 1/8" of work piece.

BAND SAW BLADES

A band saw blade is a delicate piece of steel that is subjected to tremendous strain. You can obtain long use from a band saw blade if you use it properly. Use blades of proper thickness, width and temper for the various types of material and cuts.

Always use the widest blade possible. Use narrow blades only for sawing small, abrupt curves and for fine, delicate work. This will save blades and will produce better cuts. For cutting wood and similar materials, Delta offers blades in widths of 1/8", 1/4", 3/8", and 1/2".

Any one of a number of conditions may cause a band saw blade to break. Blade breakage is, in some cases, unavoidable, being the natural result of the peculiar stresses to which blades are subjected. Blades will break often due to avoidable causes, such as the lack of care to the blade or the blade not being properly adjusted to the band saw. The most common causes of blade breakage are:

- (1) faulty alignments and adjustments of the guides.
- (2) forcing or twisting a wide blade around a curve of short radius.
- (3) feeding the work piece too fast into the blade.
- (4) dullness of the teeth, or absence of sufficient set.
- (5) improperly tensioned blade.
- (6) top guide set too high above the work piece being cut.
- (7) using a blade with a lumpy or improperly finished braze or weld.
- (8) continuous running of the saw blade when not cutting.

Use blades that are 93½" in length on this machine.

Always use a sharp blade. Keep it free from gum and pitch. Clean frequently with a stiff fiber brush.

Narrow blades are used for cutting small circles or curves while the wider blades are best suited for straight cutting such as ripping.

A new blade, in most cases, will perform better and last longer than a re-sharpened blade.

Insure that the blade guides are adjusted properly.

Do not force or twist the blade around a curve or a very short radius.

Feed the workpiece through the blade at a consistent rate, allow the blade to do the cutting – do not feed the work piece too fast.

Do not apply excessive tension to the blade. The tension is only necessary to drive the blade without slipping on the wheels. Narrow blades require less tension than wider blades.

NOTES

MAINTENANCE

KEEP MACHINE CLEAN

Periodically blow out all air passages with dry compressed air. All plastic parts should be cleaned with a soft damp cloth. NEVER use solvents to clean plastic parts. They could possibly dissolve or otherwise damage the material.

▲WARNING Wear ANSI Z87.1 safety glasses while using compressed air.

FAILURE TO START

Should your machine fail to start, check to make sure the prongs on the cord plug are making good contact in the outlet. Also, check for blown fuses or open circuit breakers in the line.

LUBRICATION

Apply household floor paste wax to the machine table and extension table or other work surface weekly.

PROTECTING CAST IRON FROM RUST

To clean and protect cast iron tables from rust, you will need the following materials: 1 pushblock from a jointer, 1 sheet of medium Scotch-Brite™ Blending Hand Pad, 1 can of WD-40®, 1 can of degreaser, 1 can of TopCote® Aerosol. Apply the WD-40 and polish the table surface with the Scotch-Brite pad using the pushblock as a holddown. Degrease the table, then apply the TopCote® accordingly.

ACCESSORIES

A complete line of accessories is available from your Delta Supplier, Porter-Cable • Delta Factory Service Centers, and Delta Authorized Service Stations. Please visit our Web Site www.deltamachinery.com for a catalog or for the name of your nearest supplier.

▲WARNING Since accessories other than those offered by Delta have not been tested with this product, use of such accessories could be hazardous. For safest operation, only Delta recommended accessories should be used with this product.



PARTS, SERVICE OR WARRANTY ASSISTANCE

All Delta Machines and accessories are manufactured to high quality standards and are serviced by a network of Porter-Cable • Delta Factory Service Centers and Delta Authorized Service Stations. To obtain additional information regarding your Delta quality product or to obtain parts, service, warranty assistance, or the location of the nearest service outlet, please call 1-800-223-7278 (In Canada call 1-800-463-3582).



Two Year Limited New Product Warranty

Delta will repair or replace, at its expense and at its option, any new Delta machine, machine part, or machine accessory which in normal use has proven to be defective in workmanship or material, provided that the customer returns the product prepaid to a Delta factory service center or authorized service station with proof of purchase of the product within two years and provides Delta with reasonable opportunity to verify the alleged defect by inspection. For all refurbished Delta product, the warranty period is 180 days. Delta may require that electric motors be returned prepaid to a motor manufacturer's authorized station for inspection and repair or replacement. Delta will not be responsible for any asserted defect which has resulted from normal wear, misuse, abuse or repair or alteration made or specifically authorized by anyone other than an authorized Delta service facility or representative. Under no circumstances will Delta be liable for incidental or consequential damages resulting from defective products. This warranty is Delta's sole warranty and sets forth the customer's exclusive remedy, with respect to defective products; all other warranties, express or implied, whether of merchantability, fitness for purpose, or otherwise, are expressly disclaimed by Delta.

PORTER-CABLE • DELTA SERVICE CENTERS (CENTROS DE SERVICIO DE PORTER-CABLE • DELTA)

Parts and Repair Service for Porter-Cable • Delta Machinery are Available at These Locations
(Obtenga Refaccion de Partes o Servicio para su Herramienta en los Siguientes Centros de Porter-Cable • Delta)

ARIZONA

Tempe 85282 (Phoenix)
2400 West Southern Avenue
Suite 105
Phone: (602) 437-1200
Fax: (602) 437-2200

CALIFORNIA

Ontario 91761 (Los Angeles)
3949A East Guasti Road
Phone: (909) 390-5555
Fax: (909) 390-5554

San Diego 92111
7638 Clairemnot Blvd.
Phone: (858) 277-9595
Fax: (858) 277-9696

San Leandro 94577 (Oakland)
3039 Teagarden Street
Phone: (510) 357-9762
Fax: (510) 357-7939

COLORADO

Arvada 80003 (Denver)
8175 Sheridan Blvd., Unit S
Phone: (303) 487-1809
Fax: (303) 487-1868

FLORIDA

Davie 33314 (Miami)
4343 South State Rd. 7 (441)
Unit #107
Phone: (954) 321-6635
Fax: (954) 321-6638

Tampa 33609
4538 W. Kennedy Boulevard
Phone: (813) 877-9585
Fax: (813) 289-7948

GEORGIA

Forest Park 30297 (Atlanta)
5442 Frontage Road,
Suite 112
Phone: (404) 608-0006
Fax: (404) 608-1123

ILLINOIS

Addison 60101 (Chicago)
400 South Rohlwing Rd.
Phone: (630) 424-8805
Fax: (630) 424-8895

Woodridge 60517 (Chicago)
2033 West 75th Street
Phone: (630) 910-9200
Fax: (630) 910-0360

MARYLAND

Elkridge 21075 (Baltimore)
7397-102 Washington Blvd.
Phone: (410) 799-9394
Fax: (410) 799-9398

MASSACHUSETTS

Franklin 02038 (Boston)
Franklin Industrial Park
101E Constitution Blvd.
Phone: (508) 520-8802
Fax: (508) 528-8089

MICHIGAN

Madison Heights 48071 (Detroit)
30475 Stephenson Highway
Phone: (248) 597-5000
Fax: (248) 597-5004

MINNESOTA

Minneapolis 55429
5522 Lakeland Avenue North
Phone: (763) 561-9080
Fax: (763) 561-0653

MISSOURI

North Kansas City 64116
1141 Swift Avenue
Phone: (816) 221-2070
Fax: (816) 221-2897

St. Louis 63119
7574 Watson Road
Phone: (314) 968-8950
Fax: (314) 968-2790

NEW YORK

Flushing 11365-1595 (N.Y.C.)
175-25 Horace Harding Expwy.
Phone: (718) 225-2040
Fax: (718) 423-9619

NORTH CAROLINA

Charlotte 28270
9129 Monroe Road, Suite 115
Phone: (704) 841-1176
Fax: (704) 708-4625

OHIO

Columbus 43214
4560 Indianola Avenue
Phone: (614) 263-0929
Fax: (614) 263-1238

Cleveland 44125
8001 Sweet Valley Drive
Unit #19
Phone: (216) 447-9030
Fax: (216) 447-3097

OREGON

Portland 97230
4916 NE 122 nd Ave.
Phone: (503) 252-0107
Fax: (503) 252-2123

PENNSYLVANIA

Willow Grove 19090
(Philadelphia)
520 North York Road
Phone: (215) 658-1430
Fax: (215) 658-1433

TEXAS

Carrollton 75006 (Dallas)
1300 Interstate 35 N, Suite 112
Phone: (972) 446-2996
Fax: (972) 446-8157

Houston 77043
4321 Sam Houston Parkway,
West
Suite 180
Phone: (713) 983-9910
Fax: (713) 983-6645

WASHINGTON

Auburn 98001 (Seattle)
3320 West Valley HWY, North
Building D, Suite 111
Phone: (253) 333-8353
Fax: (253) 333-9613

Authorized Service Stations are located in many large cities. Telephone **800-438-2486** or **731-541-6042** for assistance locating one. Parts and accessories for Porter-Cable-Delta products should be obtained by contacting any Porter-Cable-Delta Distributor, Authorized Service Center, or Porter-Cable-Delta Factory Service Center. If you do not have access to any of these, call **800-223-7278** and you will be directed to the nearest Porter-Cable-Delta Factory Service Center. Las Estaciones de Servicio Autorizadas están ubicadas en muchas grandes ciudades. Llame al **800-438-2486** ó al **731-541-6042** para obtener asistencia a fin de localizar una. Las piezas y los accesorios para los productos Porter-Cable-Delta deben obtenerse poniéndose en contacto con cualquier distribuidor Porter-Cable-Delta, Centro de Servicio Autorizado o Centro de Servicio de Fábrica Porter-Cable-Delta. Si no tiene acceso a ninguna de estas opciones, llame al **800-223-7278** y le dirigirán al Centro de Servicio de Fábrica Porter-Cable-Delta más cercano.

CANADIAN PORTER-CABLE • DELTA SERVICE CENTERS

ALBERTA

Bay 6, 2520-23rd St. N.E.
Calgary, Alberta
T2E 8L2
Phone: (403) 735-6166
Fax: (403) 735-6144

BRITISH COLUMBIA

8520 Baxter Place
Burnaby, B.C.
V5A 4T8
Phone: (604) 420-0102
Fax: (604) 420-3522

MANITOBA

1699 Dublin Avenue
Winnipeg, Manitoba
R3H 0H2
Phone: (204) 633-9259
Fax: (204) 632-1976

ONTARIO

505 Southgate Drive
Guelph, Ontario
N1H 6M7
Phone: (519) 767-4132
Fax: (519) 767-4131

QUÉBEC

1515 ave.
St-Jean Baptiste, Suite 160
Québec, Québec
G2E 5E2
Phone: (418) 877-7112
Fax: (418) 877-7123

1447, Begin
St-Laurent, (Montréal),
Québec
H4R 1V8
Phone: (514) 336-8772
Fax: (514) 336-3505

The following are trademarks of PORTER-CABLE • DELTA (Las siguientes son marcas registradas de PORTER-CABLE • DELTA S.A.) (Les marques suivantes sont des marques de fabricant de la PORTER-CABLE • DELTA): Auto-Set®, BAMMER®, B.O.S.S.®, Builder's Saw®, Contractor's Saw®, Contractor's Saw II™, Delta®, DELTACRAFT®, DELTAGRAM™, Delta Series 2000™, DURATRONIC™, Emc™, FLEX®, Flying Chips™, FRAME SAW®, Grip Vac™, Homecraft®, INNOVATION THAT WORKS®, Jet-Lock®, JETSTREAM®, 'kickstand', LASERLOC®, MICRO-SET®, Micro-Set®, MIDI LATHE®, MORTEN™, NETWORK™, OMNIJIG®, POCKET CUTTER®, PORTA-BAND®, PORTA-PLANE®, PORTER-CABLE®&(design), PORTER-CABLE®PROFESSIONAL POWER TOOLS, PORTER-CABLE REDEFINING PERFORMANCE™, Posi-Matic®, Q-3®&(design), QUICKSAND®&(design), QUICKSET™, QUICKSET II®, QUICKSET PLUS™, RIPTIDE™&(design), SAFE GUARD II®, SAFE-LOC®, Sanding Center®, SANDTRAP®&(design), SAW BOSS®, Sawbuck™, Sidekick®, SPEED-BLOC®, SPEEDMATIC®, SPEEDTRONIC®, STAIR EASE®, The American Woodshop®&(design), The Lumber Company®&(design), THE PROFESSIONAL EDGE®, THE PROFESSIONAL SELECT®, THIN-LINE™, TIGER®, TIGER CUB®, TIGER SAW®, TORQBUSTER®, TORQ-BUSTER®, TRU-MATCH™, TWIN-LITE®, UNIGUARD®, Unifence®, UNIFEEDER™, Unihead®, Uniplane™, Unirip®, Unisaw®, Univise®, Versa-Feeder®, VERSA-PLANE®, WHISPER SERIES®, WOODWORKER'S CHOICE™.

Trademarks noted with ™ and ® are registered in the United States Patent and Trademark Office and may also be registered in other countries. Las Marcas Registradas con el signo de ™ y ® son registradas por la Oficina de Registros y Patentes de los Estados Unidos y también pueden estar registradas en otros países.

Printed in China. PC-0104-149

Free Manuals Download Website

<http://myh66.com>

<http://usermanuals.us>

<http://www.somanuals.com>

<http://www.4manuals.cc>

<http://www.manual-lib.com>

<http://www.404manual.com>

<http://www.luxmanual.com>

<http://aubethermostatmanual.com>

Golf course search by state

<http://golfingnear.com>

Email search by domain

<http://emailbydomain.com>

Auto manuals search

<http://auto.somanuals.com>

TV manuals search

<http://tv.somanuals.com>