

50-802 STAND FOR 34-570 9" HOMECRAFT SAW

INSTALLATION

1. Remove stand from carton.
2. Assemble one short top brace (A) and one long bottom brace (B) to panel (C), as shown in Fig. 1, using the eight carriage bolts, flat washers, lockwashers and hex nuts supplied. The bottom of the panel (C) can be determined by the holes (D) for the Accessory 50-118 Retractable Caster Attachment. **IMPORTANT:** The top brace (A) must be assembled to the panel (C) with the lip (E) of the panel positioned on top of the brace as shown.

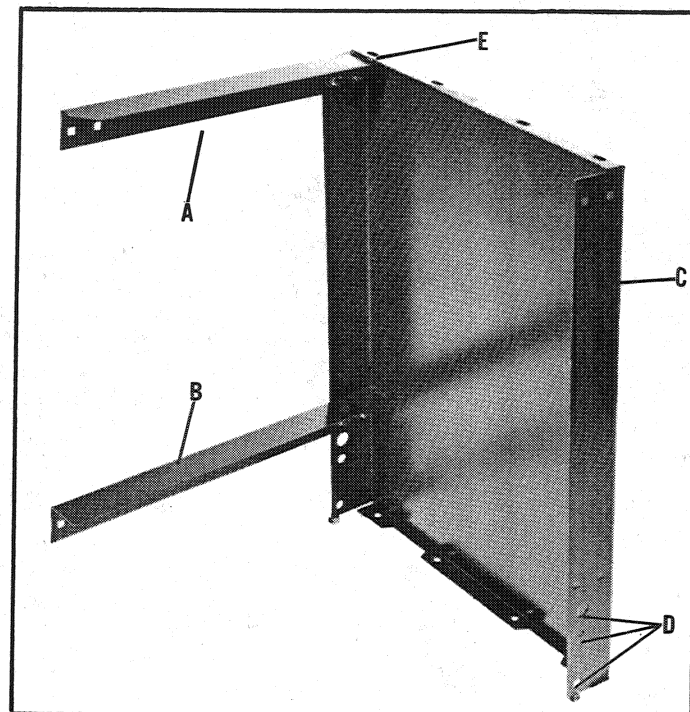


Fig. 1

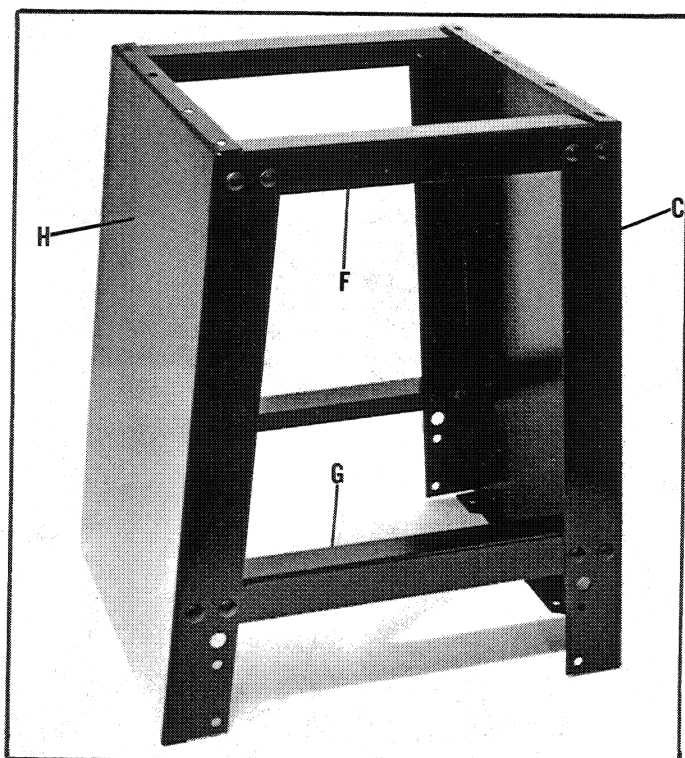
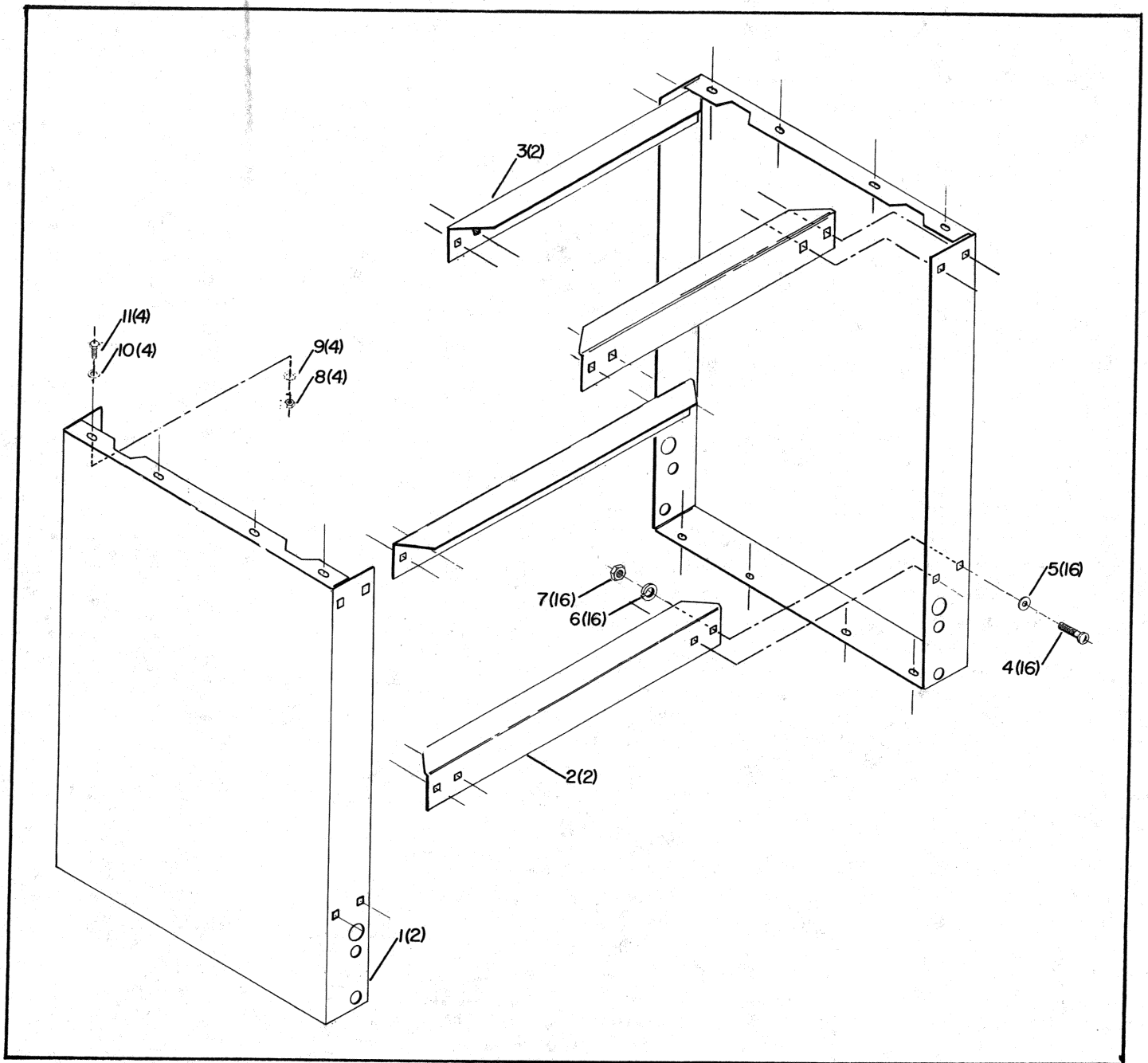


Fig. 2

3. Assemble the remaining top and bottom braces (F) and (G) to the panel (C) Fig. 2, in the same manner.
4. Assemble the four braces to the remaining panel (H), as shown in Fig. 2.
5. The saw can now be mounted to the stand. The front of the saw can be toward either panel (C) or (H) Fig. 2. **NOTE:** To mount the saw to the stand, use the four hex head screws, flat washers, external tooth lockwashers and hex nuts (items 8, 9, 10 and 11) of the parts drawing.

IF DURING OPERATION THERE IS ANY TENDENCY FOR THE TOOL TO TIP OVER, SLIDE OR WALK ON SUPPORTING SURFACE, THE STAND OR BENCH MUST BE SECURED TO THE FLOOR.



Replacement Parts

Ref. No.	Part No.	Description
	Cat. #50-802	Stand Ass'y. Consisting of:
1	1087508	Front and Rear Panels
2	1087507	Bottom Brace
3	1087509	Top Brace
4	SP-834	5/16-18 X 3/4" Carriage Bolt
5	SP-1604	5/16 X 3/4 X 1/16" Washer
6	SP-1704	3/8" Split Lockwasher
7	SP-1030	5/16"-18 Hex Jam Nut
8	SP-1034	1/4"-20 Hex Nut
9	SP-1757	1/4" External Tooth Lockwasher
10	SP-1603	1/4 X 9/16 X 3/64" Washer
11	SP-625	1/4-20 X 3/4" Hex Hd. Screw

Free Manuals Download Website

<http://myh66.com>

<http://usermanuals.us>

<http://www.somanuals.com>

<http://www.4manuals.cc>

<http://www.manual-lib.com>

<http://www.404manual.com>

<http://www.luxmanual.com>

<http://aubethermostatmanual.com>

Golf course search by state

<http://golfingnear.com>

Email search by domain

<http://emailbydomain.com>

Auto manuals search

<http://auto.somanuals.com>

TV manuals search

<http://tv.somanuals.com>