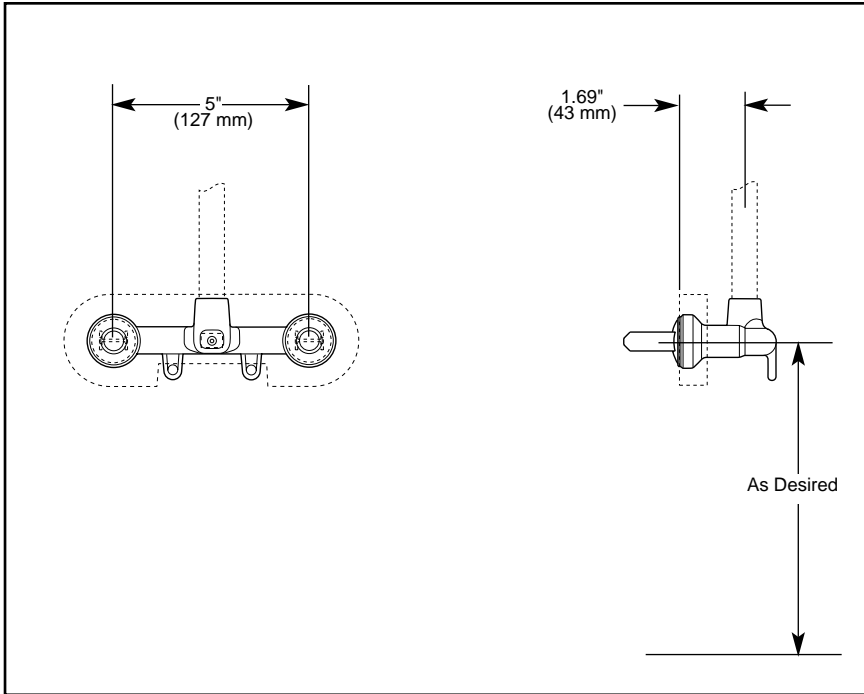


R1817

Submitted Model No.: _____

Specific Features: _____



JETTED SHOWER XO™ ROUGH JET MODULE

■ Jet Module Rough Only (R1817)

STANDARD SPECIFICATIONS:

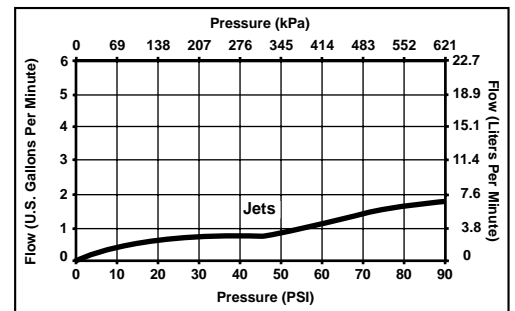
- Requires 1 1/2" (38 mm) wall cavity.
- Solid brass body.
- Back-to-back installation capability.
- Adjusts for up to 1 1/4" (32 mm) wall thickness.
- The orientation of the inlet is not important.
- Additional outlet option for jetted shower XO™ series.

WARRANTY

- Lifetime Faucet and Finish Limited Warranty to the original consumer purchaser to be free from defects in material and workmanship.
- 5 Year Limited Warranty for usage in all industrial, commercial and business applications.

COMPLETE VALVE COMPLIES WITH:

- ASME A112.18.1 / CSA B125.1



Delta reserves the right (1) to make changes in specifications and materials, and (2) to change or discontinue models, both without notice or obligation. Dimensions are for reference only. See current full-line price book for finish options and product availability.



Indianapolis, Indiana 46280
A Division of Masco Corporation of Indiana
© 2006 Masco Corporation of Indiana

Free Manuals Download Website

<http://myh66.com>

<http://usermanuals.us>

<http://www.somanuals.com>

<http://www.4manuals.cc>

<http://www.manual-lib.com>

<http://www.404manual.com>

<http://www.luxmanual.com>

<http://aubethermostatmanual.com>

Golf course search by state

<http://golfingnear.com>

Email search by domain

<http://emailbydomain.com>

Auto manuals search

<http://auto.somanuals.com>

TV manuals search

<http://tv.somanuals.com>