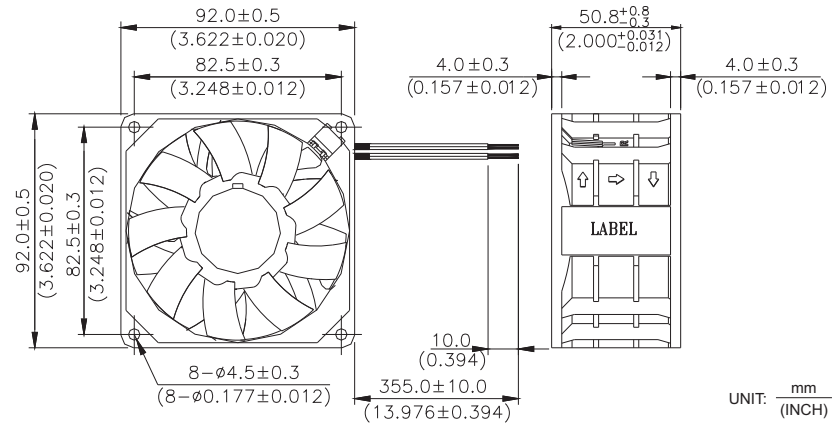


GFB 92 x 92 x 50.8 MM SERIES

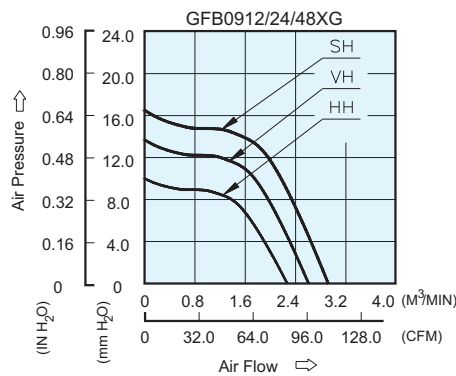
DIMENSIONS DRAWING



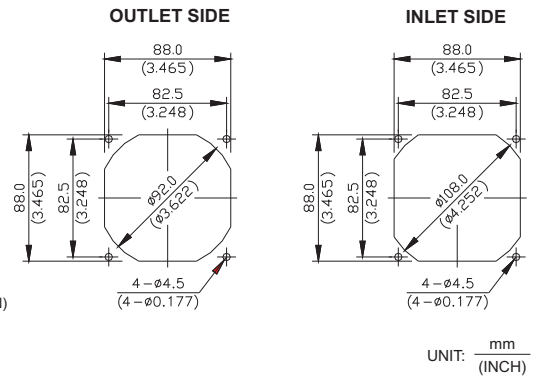
UNIT: mm (INCH)

- * Bearing Type
Ball Bearings
- * Material
Impeller & Frame : Plastic (UL 94V-0)
- * Lead Wires :
UL 1061 AWG #24 OR Equivalent
Red Wire Positive (+)
Black Wire Negative (-)
- * Weight : 265g (9.35 oz)

P & Q CURVE (AT RATED VOLTAGE)



MOUNTING PANEL CUTOUT



UNIT: mm (INCH)

MODEL		Rated Voltage	Operating Voltage Range	Input Current	Input Power	Speed (Front/Rear)	Maximum Air Flow		Maximum Air Pressure		Noise
PART NO.	FUNCTION	VDC	VDC	Amp	Watt	R.P.M.	m ³ /min	CFM	mmH ₂ O	IN H ₂ O	dB-A
GFB0912HHG	-R00 / -F00	12	7.0 to 13.8	0.70	8.40	3200/2950	2.260	79.81	9.63	0.379	55.5
GFB0924HHG	-R00 / -F00	24	14.0 to 27.6	0.47	11.28						
GFB0948HHG	-R00 / -F00	48	28.0 to 56.0	0.21	10.08						
GFB0912VHG	-R00 / -F00	12	7.0 to 13.8	1.02	12.24	3700/3450	2.600	91.82	12.83	0.505	59.0
GFB0924VHG	-R00 / -F00	24	14.0 to 27.6	0.60	14.40						
GFB0948VHG	-R00 / -F00	48	28.0 to 56.0	0.32	15.36						
GFB0912SHG	-R00 / -F00	12	7.0 to 13.8	1.30	15.60	4100/3700	2.919	103.08	16.51	0.650	61.5

- * Function type is optional.
- * The max. air flow and the speed are measured in free air ; max. air pressure is measured at zero air flow.
- * Noise is measured in anechoic chamber in free air, one meter from intake side.
- * All readings are typical values at rated voltage.
- * Specifications are subject to change without notice.

Free Manuals Download Website

<http://myh66.com>

<http://usermanuals.us>

<http://www.somanuals.com>

<http://www.4manuals.cc>

<http://www.manual-lib.com>

<http://www.404manual.com>

<http://www.luxmanual.com>

<http://aubethermostatmanual.com>

Golf course search by state

<http://golfingnear.com>

Email search by domain

<http://emailbydomain.com>

Auto manuals search

<http://auto.somanuals.com>

TV manuals search

<http://tv.somanuals.com>