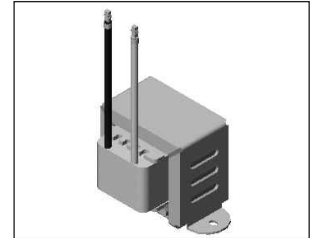
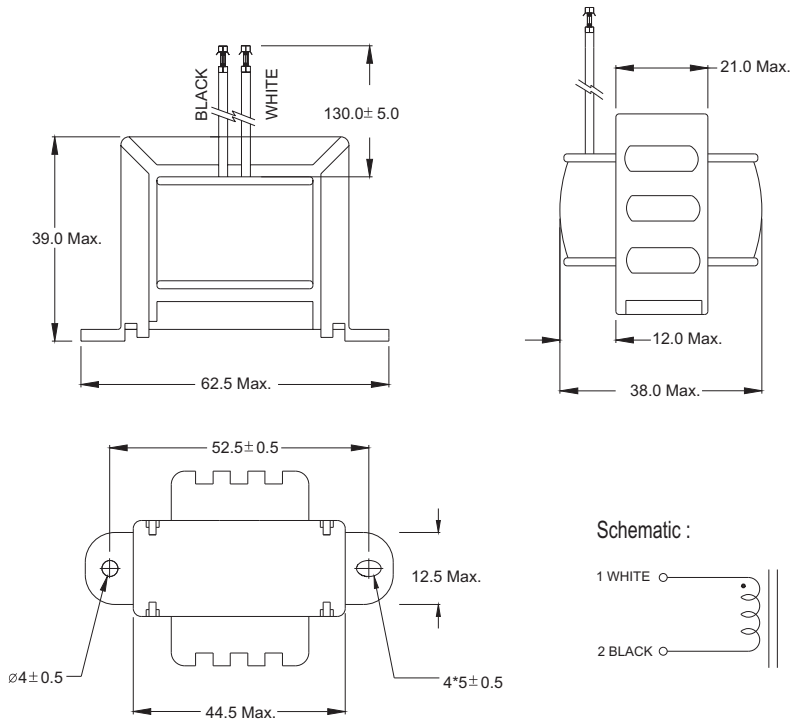


PFC Chokes for Power Supply

PFC4116V Series

Mechanical Dimension: Unit: mm



Features

- Harmonics current regulation
- Low leakage flux suitable for power supply

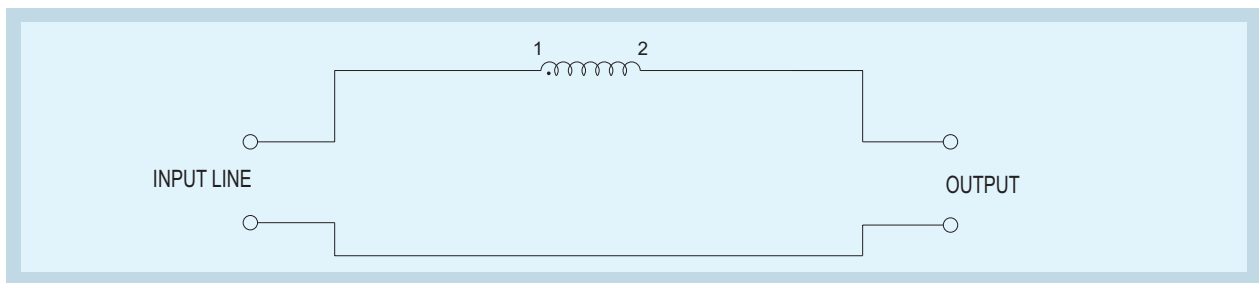
The PFC (Power Factor Corrector) chokes is suitable for power supply. It is applied to regulate the harmonics current and raise the power factor.

Electrical Characteristics

■ AT 25°C, 60Hz/1V

PART NO.	INDUCTANCE (mH) Min. 230V INPUT	DCR (Ω) Max.	INPUT POWER (reference)	WITHOUT FAN		WITH FAN	
				RATED CURRENT (Arms)	TEMPERATURE RISE (°C) Max.	RATED CURRENT (Arms)	TEMPERATURE RISE (°C) Max.
PFC4116V01	52	2.3	195W	0.95	55	1.14	55

Recommended Circuit



DELTA ELECTRONICS, INC.

(TAOYUAN PLANT CPBG) 252, SAN YING ROAD, KUEISAN INDUSTRIAL ZONE, TAOYUAN SHIEN, 333, TAIWAN, R.O.C.

TEL: 886-3-3591968; FAX: 886-3-3591991

<http://www.deltaww.com>

Free Manuals Download Website

<http://myh66.com>

<http://usermanuals.us>

<http://www.somanuals.com>

<http://www.4manuals.cc>

<http://www.manual-lib.com>

<http://www.404manual.com>

<http://www.luxmanual.com>

<http://aubethermostatmanual.com>

Golf course search by state

<http://golfingnear.com>

Email search by domain

<http://emailbydomain.com>

Auto manuals search

<http://auto.somanuals.com>

TV manuals search

<http://tv.somanuals.com>