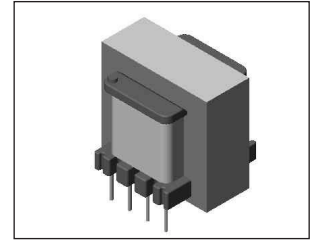
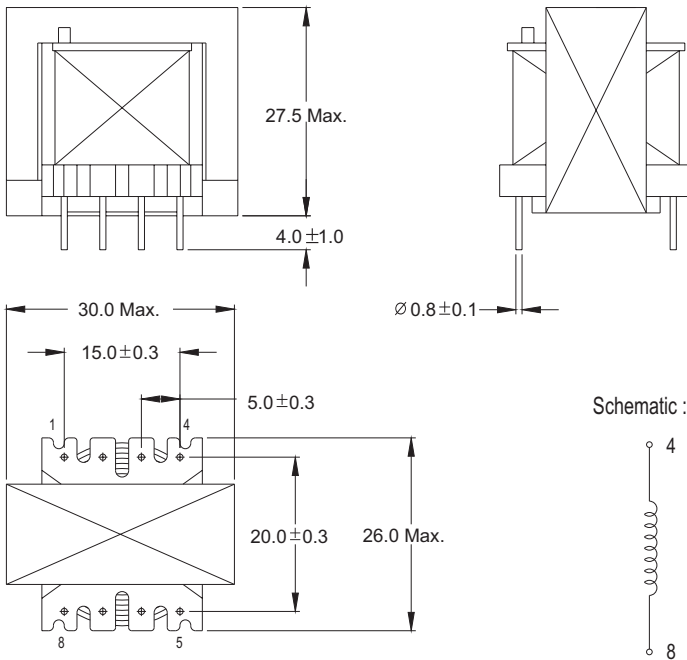


# PFC Chokes for Power Supply

## PFC2811V Series

Mechanical Dimension: Unit: mm



### Features

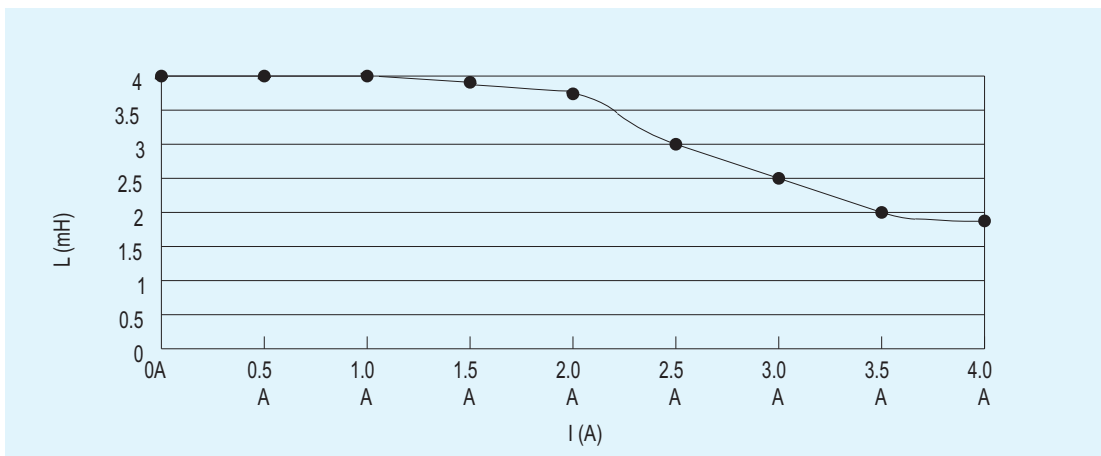
- Harmonics current regulation
- Cheap compact specification

### Electrical Characteristics

■ AT 25°C, 60Hz/1V

PART NO.	INDUCTANCE (mH) Min.			DCR (Ω) Max.	INPUT POWER (reference)	RATED CURRENT (Arms)	TEMPERATURE RISE (°C) Max.
	0A	1.5A	3.5A				
PFC2811V01	3.5	3.0	2.0 ref	0.39	100W	1.5	55

### DC SUPERPOSITION CHARACTERISTIC



DELTA ELECTRONICS, INC.

(TAOYUAN PLANT CPBG) 252, SAN YING ROAD, KUEISAN INDUSTRIAL ZONE, TAOYUAN SHIEN, 333, TAIWAN, R.O.C.

TEL: 886-3-3591968; FAX: 886-3-3591991

<http://www.deltaww.com>

## Free Manuals Download Website

<http://myh66.com>

<http://usermanuals.us>

<http://www.somanuals.com>

<http://www.4manuals.cc>

<http://www.manual-lib.com>

<http://www.404manual.com>

<http://www.luxmanual.com>

<http://aubethermostatmanual.com>

Golf course search by state

<http://golfingnear.com>

Email search by domain

<http://emailbydomain.com>

Auto manuals search

<http://auto.somanuals.com>

TV manuals search

<http://tv.somanuals.com>