

Portable Single-Stage Dust Collector (Model AP300)



PART NO. A05734 - 05-31-05
Copyright © 2005 Delta Machinery

 **DELTA**[®] *ShopMaster*[™]

To learn more about DELTA MACHINERY
visit our website at: www.deltamachinery.com.

For Parts, Service, Warranty or other Assistance,

please call **1-800-223-7278** (In Canada call **1-800-463-3582**).

ESPAÑOL: PÁGINA 19

TABLE OF CONTENTS

IMPORTANT SAFETY INSTRUCTIONS	2
SAFETY GUIDELINES	3
GENERAL SAFETY RULES	4
ADDITIONAL SPECIFIC SAFETY RULES	5
FUNCTIONAL DESCRIPTION	8
CARTON CONTENTS	8
ASSEMBLY	9
OPERATION	14
TROUBLESHOOTING	16
MAINTENANCE	17
SERVICE	18
ACCESSORIES	18
WARRANTY	18
ESPAÑOL	19
SERVICE CENTER LOCATIONSback cover

IMPORTANT SAFETY INSTRUCTIONS

▲WARNING Read and understand all warnings and operating instructions before using any tool or equipment. When using tools or equipment, basic safety precautions should always be followed to reduce the risk of personal injury. Improper operation, maintenance or modification of tools or equipment could result in serious injury and property damage. There are certain applications for which tools and equipment are designed. Delta Machinery strongly recommends that this product NOT be modified and/or used for any application other than for which it was designed.

If you have any questions relative to its application DO NOT use the product until you have written Delta Machinery and we have advised you.

Online contact form at www.deltamachinery.com

Postal Mail: Technical Service Manager
Delta Machinery
4825 Highway 45 North
Jackson, TN 38305

(IN CANADA: 125 Mural St. Suite 300, Richmond Hill, ON, L4B 1M4)

Information regarding the safe and proper operation of this tool is available from the following sources:

Power Tool Institute
1300 Sumner Avenue, Cleveland, OH 44115-2851
www.powertoolinstitute.org

National Safety Council
1121 Spring Lake Drive, Itasca, IL 60143-3201

American National Standards Institute, 25 West 43rd Street, 4 floor, New York, NY 10036 www.ansi.org
ANSI 01.1 Safety Requirements for Woodworking Machines, and

the U.S. Department of Labor regulations www.osha.gov

SAVE THESE INSTRUCTIONS!

SAFETY GUIDELINES - DEFINITIONS

It is important for you to read and understand this manual. The information it contains relates to protecting YOUR SAFETY and PREVENTING PROBLEMS. The symbols below are used to help you recognize this information.



- ▲ DANGER** Indicates an imminently hazardous situation which, if not avoided, will result in death or serious injury.
- ▲ WARNING** Indicates a potentially hazardous situation which, if not avoided, could result in death or serious injury.
- ▲ CAUTION** Indicates a potentially hazardous situation which, if not avoided, may result in minor or moderate injury.
- CAUTION** Used without the safety alert symbol indicates potentially hazardous situation which, if not avoided, may result in property damage.

CALIFORNIA PROPOSITION 65

▲ WARNING **SOME DUST CREATED BY POWER SANDING, SAWING, GRINDING, DRILLING, AND OTHER CONSTRUCTION ACTIVITIES** contains chemicals known to cause cancer, birth defects or other reproductive harm.

Some examples of these chemicals are:

- lead from lead-based paints,
- crystalline silica from bricks and cement and other masonry products, and
- arsenic and chromium from chemically-treated lumber.

Your risk from these exposures varies, depending on how often you do this type of work. To reduce your exposure to these chemicals: work in a well ventilated area, and work with approved safety equipment, always wear **NIOSH/OSHA** approved, properly fitting face mask or respirator when using such tools.

GENERAL SAFETY RULES



⚠ WARNING READ AND UNDERSTAND ALL WARNINGS AND OPERATING INSTRUCTIONS BEFORE USING THIS EQUIPMENT. Failure to follow all instructions listed below, may result in electric shock, fire, and/or serious personal injury or property damage.

IMPORTANT SAFETY INSTRUCTIONS

- FOR YOUR OWN SAFETY, READ THE INSTRUCTION MANUAL BEFORE OPERATING THE MACHINE.** Learning the machine's application, limitations, and specific hazards will greatly minimize the possibility of accidents and injury.
- WEAR EYE AND HEARING PROTECTION. ALWAYS USE SAFETY GLASSES.** Everyday eyeglasses are NOT safety glasses. USE CERTIFIED SAFETY EQUIPMENT. Eye protection equipment should comply with ANSI Z87.1 standards. Hearing equipment should comply with ANSI S3.19 standards.
- WEAR PROPER APPAREL.** Do not wear loose clothing, gloves, neckties, rings, bracelets, or other jewelry which may get caught in moving parts. Nonslip footwear is recommended. Wear protective hair covering to contain long hair.
- DO NOT USE THE MACHINE IN A DANGEROUS ENVIRONMENT.** The use of power tools in damp or wet locations or in rain can cause shock or electrocution. Keep your work area well-lit to prevent tripping or placing arms, hands, and fingers in danger.
- MAINTAIN ALL TOOLS AND MACHINES IN PEAK CONDITION.** Keep tools sharp and clean for best and safest performance. Follow instructions for lubricating and changing accessories. Poorly maintained tools and machines can further damage the tool or machine and/or cause injury.
- CHECK FOR DAMAGED PARTS.** Before using the machine, check for any damaged parts. Check for alignment of moving parts, binding of moving parts, breakage of parts, and any other conditions that may affect its operation. A guard or any other part that is damaged **should be properly repaired or replaced.** Damaged parts can cause further damage to the machine and/or injury.
- KEEP THE WORK AREA CLEAN.** Cluttered areas and benches invite accidents.
- KEEP CHILDREN AND VISITORS AWAY.** Your shop is a potentially dangerous environment. Children and visitors can be injured.
- REDUCE THE RISK OF UNINTENTIONAL STARTING.** Make sure that the switch is in the "OFF" position before plugging in the power cord. In the event of a power failure, move the switch to the "OFF" position. An accidental start-up can cause injury.
- USE THE GUARDS.** Check to see that all guards are in place, secured, and working correctly to reduce the risk of injury.
- REMOVE ADJUSTING KEYS AND WRENCHES BEFORE STARTING THE MACHINE.** Tools, scrap pieces, and other debris can be thrown at high speed, causing injury.
- USE THE RIGHT MACHINE.** Don't force a machine or an attachment to do a job for which it was not designed. Damage to the machine and/or injury may result.
- USE RECOMMENDED ACCESSORIES.** The use of accessories and attachments not recommended by Delta may cause damage to the machine or injury to the user.
- USE THE PROPER EXTENSION CORD.** Make sure your extension cord is in good condition. When using an extension cord, be sure to use one heavy enough to carry the current your product will draw. An undersized cord will cause a drop in line voltage, resulting in loss of power and overheating. See the Extension Cord Chart for the correct size depending on the cord length and nameplate ampere rating. If in doubt, use the next heavier gauge. The smaller the gauge number, the heavier the cord.
- SECURE THE WORKPIECE.** Use clamps or a vise to hold the workpiece when practical. Loss of control of a workpiece can cause injury.
- FEED THE WORKPIECE AGAINST THE DIRECTION OF THE ROTATION OF THE BLADE, CUTTER, OR ABRASIVE SURFACE.** Feeding it from the other direction will cause the workpiece to be thrown out at high speed.
- DON'T FORCE THE WORKPIECE ON THE MACHINE.** Damage to the machine and/or injury may result.
- DON'T OVERREACH.** Loss of balance can make you fall into a working machine, causing injury.
- NEVER STAND ON THE MACHINE.** Injury could occur if the tool tips, or if you accidentally contact the cutting tool.
- NEVER LEAVE THE MACHINE RUNNING UNATTENDED. TURN THE POWER OFF.** Don't leave the machine until it comes to a complete stop. A child or visitor could be injured.
- TURN THE MACHINE "OFF", AND DISCONNECT THE MACHINE FROM THE POWER SOURCE** before installing or removing accessories, before adjusting or changing set-ups, or when making repairs. An accidental start-up can cause injury.
- MAKE YOUR WORKSHOP CHILDPROOF WITH PADLOCKS, MASTER SWITCHES, OR BY REMOVING STARTER KEYS.** The accidental start-up of a machine by a child or visitor could cause injury.
- STAY ALERT, WATCH WHAT YOU ARE DOING, AND USE COMMON SENSE. DO NOT USE THE MACHINE WHEN YOU ARE TIRED OR UNDER THE INFLUENCE OF DRUGS, ALCOHOL, OR MEDICATION.** A moment of inattention while operating power tools may result in injury.
- ⚠ WARNING USE OF THIS TOOL CAN GENERATE AND DISBURSE DUST OR OTHER AIRBORNE PARTICLES, INCLUDING WOOD DUST, CRYSTALLINE SILICA DUST AND ASBESTOS DUST.** Direct particles away from face and body. Always operate tool in well ventilated area and provide for proper dust removal. Use dust collection system wherever possible. Exposure to the dust may cause serious and permanent respiratory or other injury, including silicosis (a serious lung disease), cancer, and death. Avoid breathing the dust, and avoid prolonged contact with dust. Allowing dust to get into your mouth or eyes, or lay on your skin may promote absorption of harmful material. Always use properly fitting NIOSH/OSHA approved respiratory protection appropriate for the dust exposure, and wash exposed areas with soap and water.

ADDITIONAL SPECIFIC SAFETY RULES

⚠ WARNING FAILURE TO FOLLOW THESE RULES MAY RESULT IN SERIOUS INJURY.

⚠ DANGER **DO NOT USE THIS UNIT TO FILTER METAL DUST.** Combining wood and metal dust can create an explosion or fire hazard. This unit is intended to filter non-explosive atmospheres only.

⚠ WARNING **DO NOT USE THIS UNIT TO DISSIPATE FUMES OR SMOKE.** Explosions or fire can result. This dust collector is intended for use where only dry airborne dust is present. Its use should be limited to non-explosive, non-metallic atmospheres.

- DO NOT OPERATE THIS UNIT UNTIL IT IS COMPLETELY ASSEMBLED AND INSTALLED ACCORDING TO THE INSTRUCTIONS.** A unit incorrectly assembled can cause injury.
- OBTAIN ADVICE FROM YOUR SUPERVISOR, INSTRUCTOR, OR ANOTHER QUALIFIED PERSON** if you are not thoroughly familiar with the operation of this unit. Knowledge is safety
- FOLLOW ALL WIRING CODES** and recommended electrical connections to prevent electrical shock or electrocution.
- DO NOT PULL THIS UNIT BY THE POWER CORD.** Do not allow the power cord to come in contact with sharp instruments or edges, hot surfaces, or oil or grease. Do not place any weight on top of the power cord. A damaged power cord can cause electrical shock or electrocution.
- SUPPORT THIS UNIT OR SECURELY CLAMP IT TO THE WORK SURFACE WHEN IT IS USED IN A PORTABLE APPLICATION** to eliminate potential injury and/or damage from falling.
- ENSURE THAT THE INTAKE AND EXHAUST AREAS ARE CLEAR PRIOR TO STARTING THE UNIT.** Clogged intakes or exhausts can cause an explosion and/or fire.
- DO NOT USE THE DUST COLLECTOR** to pick up flammable liquids such as gasoline. Do not use the dust collector near flammable or combustible liquids. Explosion and/or fire can occur.
- KEEP ARMS, HANDS, AND FINGERS AWAY FROM THE FAN.** Avoid all exposure to rotating parts to prevent injury.
- DO NOT OPERATE THIS UNIT WITHOUT THE DUST COLLECTION BAG IN PLACE AND PROPERLY SECURED.** Sawdust and other debris can provide the potential for fire and/or explosion and can also cause inhalation problems.
- INSPECT THE DUST BAG FOR CUTS, RIPS, OR TEARS.** Replace damaged bags or vacuum hoses. Sawdust and other debris can provide the potential for fire and/or explosion and can also cause inhalation problems.
- ALWAYS USE THE INTAKE CAPS TO COVER UNUSED DUST PORTS.** Debris can cause damage to the unit and injury.
- DO NOT ATTEMPT TO REMOVE OR REPLACE** the dust collection bag(s) while the unit is connected to the power source. Exposed fan blades can cause severe injuries.
- MAINTAIN THE UNIT IN TOP CONDITION.** Clogged filters can increase the potential for fire or explosion. Follow all instructions for changing and cleaning filters.
- STORE THIS UNIT IN A LOCATION** that eliminates the potential for damage to the power cord. A damaged power cord can cause shock or electrocution. Safely store power cord on the unit to eliminate tripping hazards.
- TURN THE UNIT "OFF" AND DISCONNECT THE UNIT** from the power source before installing or removing accessories, before adjusting or changing set-ups, or when making repairs. An accidental start-up can cause serious injury.
- TURN THE UNIT "OFF",** disconnect the unit from the power source, and clean the table/work area before leaving the area.

**SAVE THESE INSTRUCTIONS.
Refer to them often
and use them to instruct others.**

POWER CONNECTIONS

A separate electrical circuit should be used for your machines. This circuit should not be less than #12 wire and should be protected with a 20 Amp time lag fuse. If an extension cord is used, use only 3-wire extension cords which have 3-prong grounding type plugs and matching receptacle which will accept the machine's plug. Before connecting the machine to the power line, make sure the switch (s) is in the "OFF" position and be sure that the electric current is of the same characteristics as indicated on the machine. All line connections should make good contact. Running on low voltage will damage the machine.

⚠ DANGER DO NOT EXPOSE THE MACHINE TO RAIN OR OPERATE THE MACHINE IN DAMP LOCATIONS.

MOTOR SPECIFICATIONS

Your machine is wired for 120 volts, 60 HZ alternating current. Before connecting the machine to the power source, make sure the switch is in the "OFF" position.

GROUNDING INSTRUCTIONS

⚠ DANGER THIS MACHINE MUST BE GROUNDED WHILE IN USE TO PROTECT THE OPERATOR FROM ELECTRIC SHOCK.

1. All grounded, cord-connected machines:

In the event of a malfunction or breakdown, grounding provides a path of least resistance for electric current to reduce the risk of electric shock. This machine is equipped with an electric cord having an equipment-grounding conductor and a grounding plug. The plug must be plugged into a matching outlet that is properly installed and grounded in accordance with all local codes and ordinances.

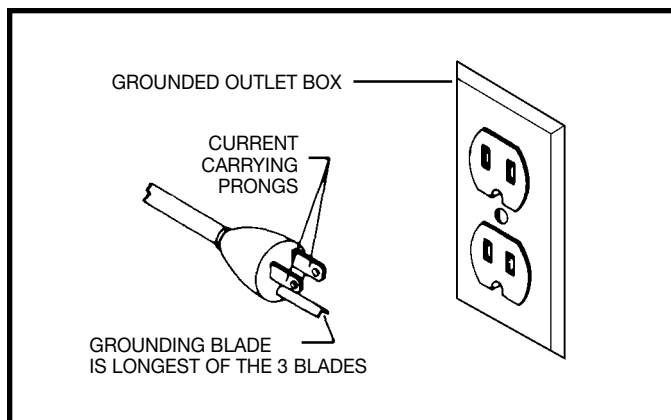
Do not modify the plug provided - if it will not fit the outlet, have the proper outlet installed by a qualified electrician.

Improper connection of the equipment-grounding conductor can result in risk of electric shock. The conductor with insulation having an outer surface that is green with or without yellow stripes is the equipment-grounding conductor. If repair or replacement of the electric cord or plug is necessary, do not connect the equipment-grounding conductor to a live terminal.

Check with a qualified electrician or service personnel if the grounding instructions are not completely understood, or if in doubt as to whether the machine is properly grounded.

Use only 3-wire extension cords that have 3-prong grounding type plugs and matching 3-conductor receptacles that accept the machine's plug, as shown in Fig. A.

Repair or replace damaged or worn cord immediately.

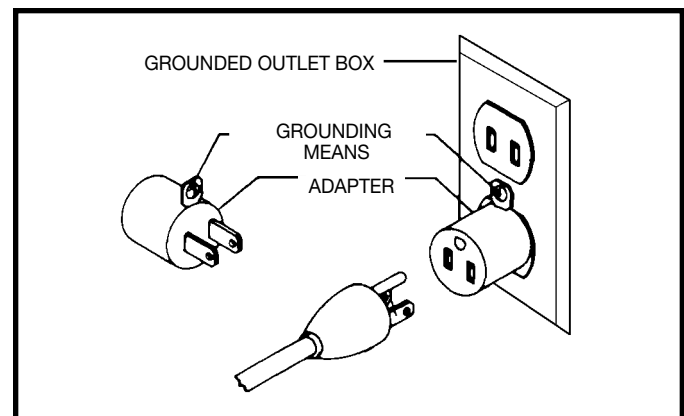


2. Grounded, cord-connected machines intended for use on a supply circuit having a nominal rating less than 150 volts:

If the machine is intended for use on a circuit that has an outlet that looks like the one illustrated in Fig. A, the machine will have a grounding plug that looks like the plug illustrated in Fig. A. A temporary adapter, which looks like the adapter illustrated in Fig. B, may be used to connect this plug to a matching 2-conductor receptacle as shown in Fig. B if a properly grounded outlet is not available. The temporary adapter should be used only until a properly grounded outlet can be installed by a qualified electrician. The green-colored rigid ear, lug, and the like, extending from the adapter must be connected to a permanent ground such as a properly grounded outlet box. Whenever the adapter is used, it must be held in place with a metal screw.

NOTE: In Canada, the use of a temporary adapter is not permitted by the Canadian Electric Code.

⚠ DANGER IN ALL CASES, MAKE CERTAIN THE RECEPTACLE IN QUESTION IS PROPERLY GROUNDED. IF YOU ARE NOT SURE HAVE A QUALIFIED ELECTRICIAN CHECK THE RECEPTACLE.



3. 240 VOLT SINGLE PHASE OPERATION

The motor supplied with your machine is a dual voltage, 120/240 volt motor. It is shipped ready-to-run for 120 volt operation. However, it can be converted for 240 volt operation.

A qualified electrician should do the conversion, or the machine can be taken to an Authorized Delta Service Center. When completed, the machine must conform to the National Electric Code and all local codes and ordinances.

The machine is converted by re-wiring the motor for 240 volts, installing a 240 volt plug on the power supply cord and replacing the switch with one that is rated for 240 volt operation.

Be sure the 240 volt plug is only used in an outlet having the same configuration as the plug illustrated in Fig. C. No adapter should be used with the 240 volt plug.

⚠ WARNING IN ALL CASES, MAKE CERTAIN THAT THE RECEPTACLE IN QUESTION IS PROPERLY GROUNDED. IF YOU ARE NOT SURE, HAVE A QUALIFIED ELECTRICIAN CHECK THE RECEPTACLE.

EXTENSION CORDS

⚠ WARNING Use proper extension cords. Make sure your extension cord is in good condition and is a 3-wire extension cord which has a 3-prong grounding type plug and matching receptacle which will accept the machine's plug. When using an extension cord, be sure to use one heavy enough to carry the current of the machine. An undersized cord will cause a drop in line voltage, resulting in loss of power and overheating. Fig. D-1 or D-2, shows the correct gauge to use depending on the cord length. If in doubt, use the next heavier gauge. The smaller the gauge number, the heavier the cord.

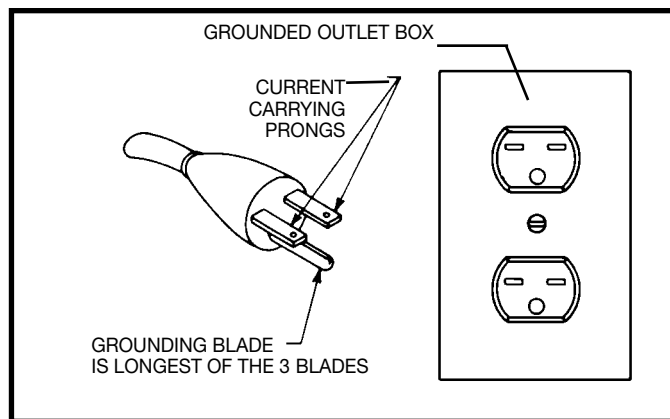


Fig. C

MINIMUM GAUGE EXTENSION CORD			
RECOMMENDED SIZES FOR USE WITH STATIONARY ELECTRIC MACHINES			
Ampere Rating	Volts	Total Length of Cord in Feet	Gauge of Extension Cord
0-6	120	up to 25	18 AWG
0-6	120	25-50	16 AWG
0-6	120	50-100	16 AWG
0-6	120	100-150	14 AWG
6-10	120	up to 25	18 AWG
6-10	120	25-50	16 AWG
6-10	120	50-100	14 AWG
6-10	120	100-150	12 AWG
10-12	120	up to 25	16 AWG
10-12	120	25-50	16 AWG
10-12	120	50-100	14 AWG
10-12	120	100-150	12 AWG
12-16	120	up to 25	14 AWG
12-16	120	25-50	12 AWG
12-16	120	GREATER THAN 50 FEET NOT RECOMMENDED	

Fig. D-1

MINIMUM GAUGE EXTENSION CORD			
RECOMMENDED SIZES FOR USE WITH STATIONARY ELECTRIC MACHINES			
Ampere Rating	Volts	Total Length of Cord in Feet	Gauge of Extension Cord
0-6	240	up to 50	18 AWG
0-6	240	50-100	16 AWG
0-6	240	100-200	16 AWG
0-6	240	200-300	14 AWG
6-10	240	up to 50	18 AWG
6-10	240	50-100	16 AWG
6-10	240	100-200	14 AWG
6-10	240	200-300	12 AWG
10-12	240	up to 50	16 AWG
10-12	240	50-100	16 AWG
10-12	240	100-200	14 AWG
10-12	240	200-300	12 AWG
12-16	240	up to 50	14 AWG
12-16	240	50-100	12 AWG
12-16	240	GREATER THAN 100 FEET NOT RECOMMENDED	

Fig. D-2

FUNCTIONAL DESCRIPTION

FOREWORD

The Delta ShopMaster Model AP300 is a portable single stage dust collector.

NOTICE: THE PHOTO ON THE MANUAL COVER ILLUSTRATES THE CURRENT PRODUCTION MODEL. ALL OTHER ILLUSTRATIONS CONTAINED IN THE MANUAL ARE REPRESENTATIVE ONLY AND MAY NOT DEPICT THE ACTUAL COLOR, LABELING OR ACCESSORIES AND ARE INTENDED TO ILLUSTRATE TECHNIQUE ONLY.

CARTON CONTENTS

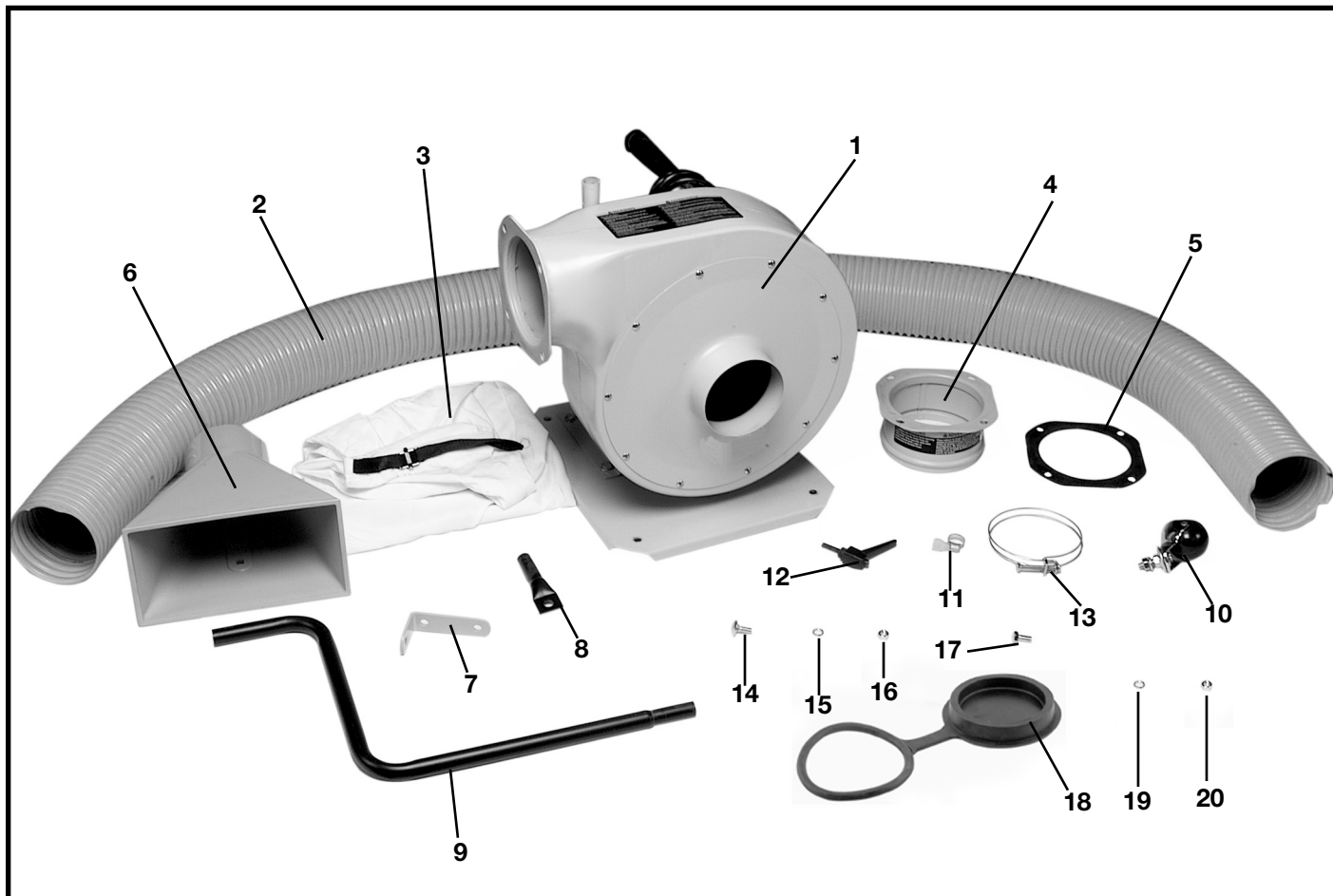


Fig. 2

- | | |
|-------------------------------|--|
| 1. Dust collector | 10. Casters (4) |
| 2. Hose | 11. Lower tube support clamps (2) |
| 3. Dust bag | 12. Adjustable locking lever |
| 4. Exhaust flange | 13. Hose clamps (2) |
| 5. Exhaust flange gasket | 14. 5/16-18x5/8" Button head carriage bolt (2) |
| 6. Intake funnel | 15. 5/16" Lockwasher |
| 7. Intake support angle brace | 16. 5/16-18 Flange hex nut (6) |
| 8. Upper support bracket | 17. 5/16-18x5/8" Hex head screw (4) |
| 9. Lower tube support | 18. Intake cap |
| | 19. M8.4 Flat washer |
| | 20. 3/8-16 Flange Hex nut (4) |

UNPACKING AND CLEANING

Carefully unpack the machine and all loose items from the shipping container(s). Remove the protective coating from all unpainted surfaces. This coating may be removed with a soft cloth moistened with kerosene (do not use acetone, gasoline or lacquer thinner for this purpose). After cleaning, cover the unpainted surfaces with a good quality household floor paste wax.

ASSEMBLY

ASSEMBLY TOOLS REQUIRED

1. 1/2" & 9/16" Open or Box End Wrench - not provided
2. 1/2" & 9/16" Socket and Drive - not provided
3. Flat or Phillips Screwdriver - not provided

ASSEMBLY TIME ESTIMATE 1-2 hrs.

CASTERS

1. Place the dust collector on its side.
2. Insert bolt on caster through the four holes (A) Fig. 3 in the base of the dust collector.
3. Thread a 3/8-16 flange hex nut (B) Fig. 4 onto each of the four bolts and tighten securely.

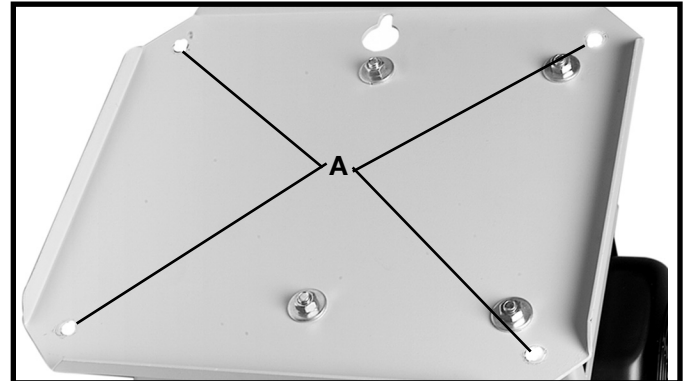


Fig. 3

EXHAUST FLANGE

1. Align the holes in the exhaust flange (A) Fig. 5 with the holes in the exhaust flange gasket (B).
2. Insert a 5/16-18x5/8" hex head bolt thru the exhaust flange, exhaust flange gasket and the base unit as shown in Fig. 6.
3. Thread a 5/16-18 hex nut (B) onto the 5/16-18x5/8" hex head bolt (A) Fig. 6 and tighten securely.
4. Repeat this process for the three remaining bolts.

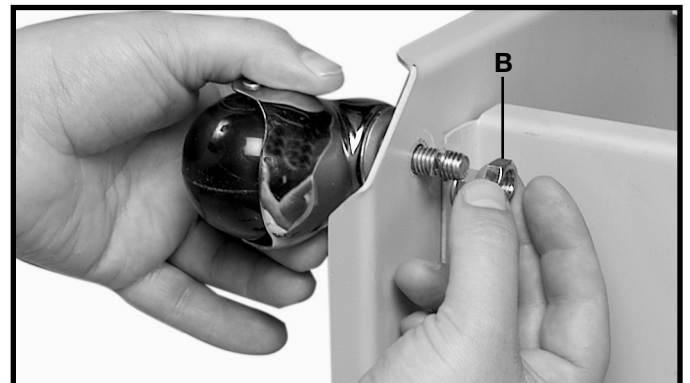


Fig. 4

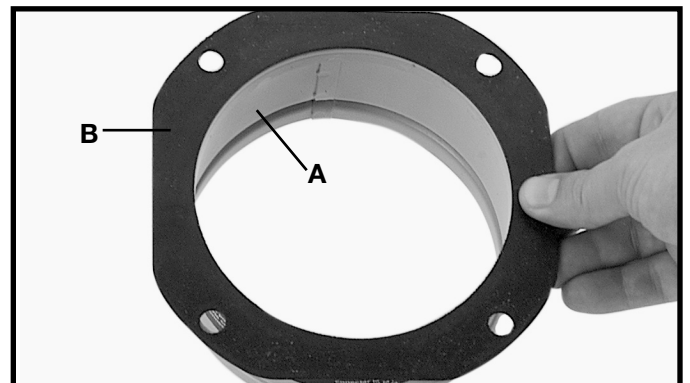


Fig. 5

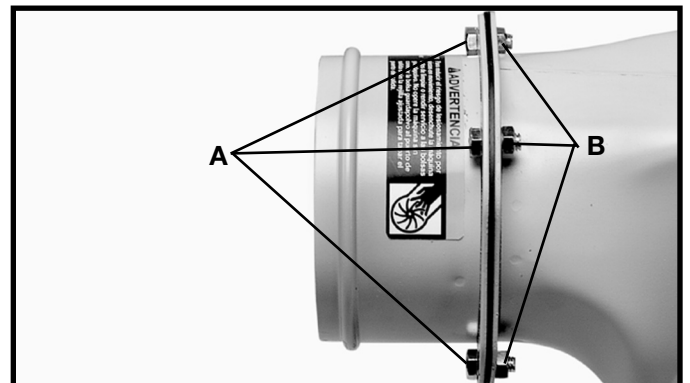


Fig. 6

DUST PORT TUBE AND CONNECTOR TO DUST COLLECTOR BODY

⚠ WARNING Disconnect machine from power source!

1. Place tube clamp (A) Fig. 7 on the lower support tube holder (B).

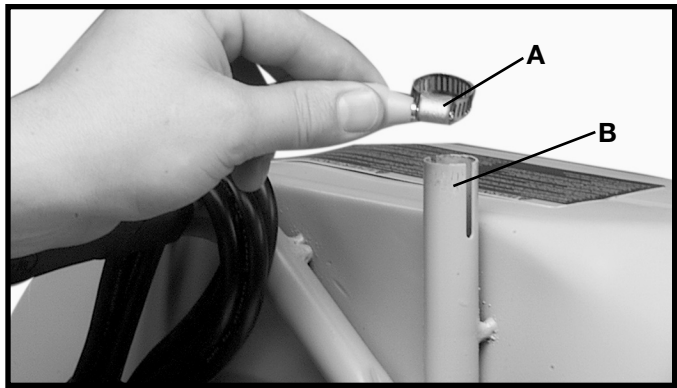


Fig. 7

2. Insert the lower tube support (A) into the tube support holder (B) as shown in Fig. 8.

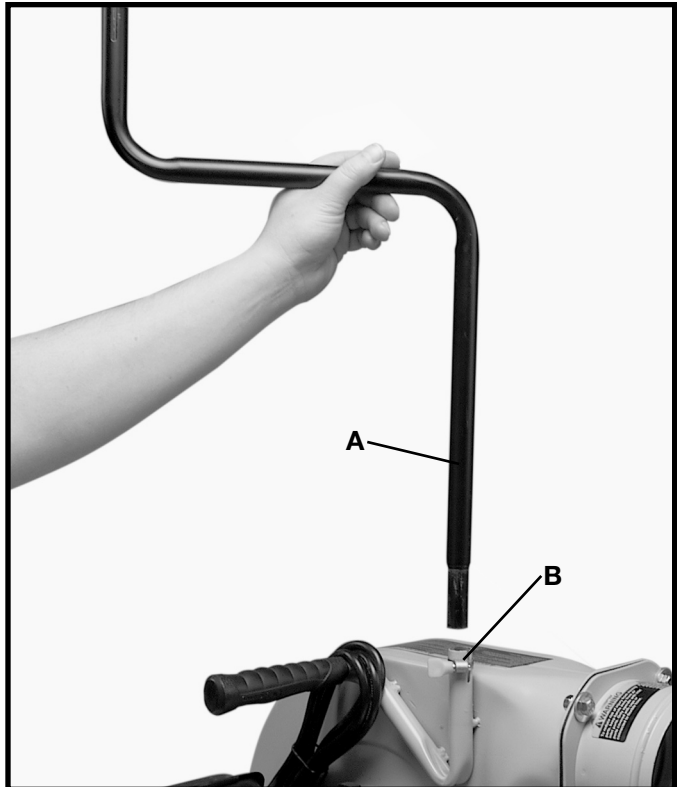


Fig. 8

3. Place a tube clamp (A) onto the lower tube support as shown in Fig. 9.

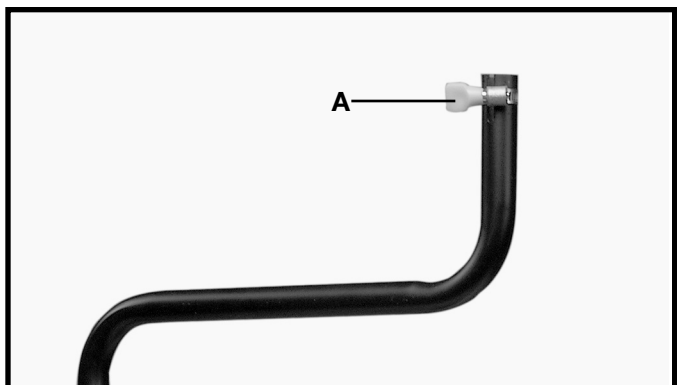


Fig. 9

4. Align the two holes in the intake support angle brace (A) Fig. 10 with the two holes in the intake funnel (B).

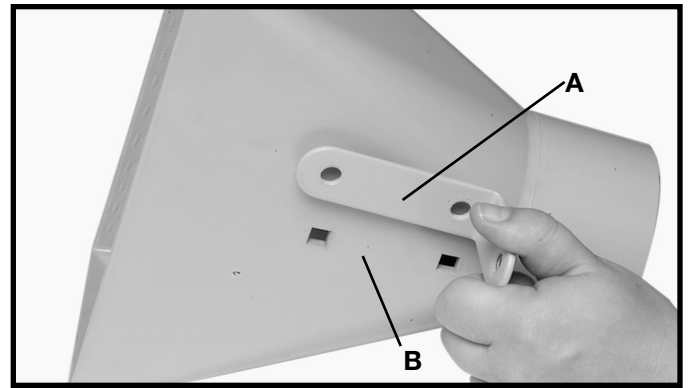


Fig. 10

5. Fasten the intake support angle brace to the intake funnel by inserting the two 5/16-18x5/8" button head carriage bolts (C) thru the intake funnel (B) and the intake support angle brace (A) as shown in Fig. 11.

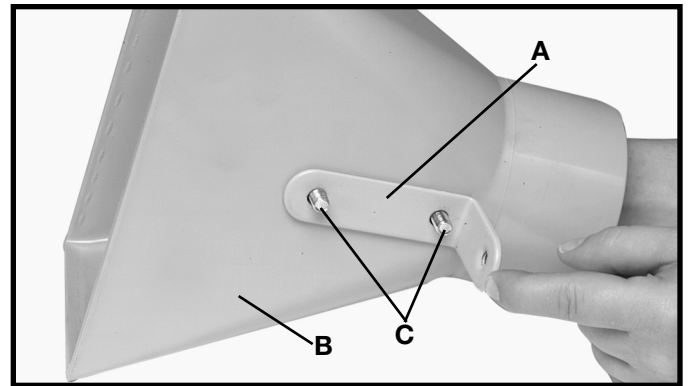


Fig. 11

6. Thread a 5/16-18" flange hex nut (C) Fig. 12 onto the bolt (B) and tighten securely.

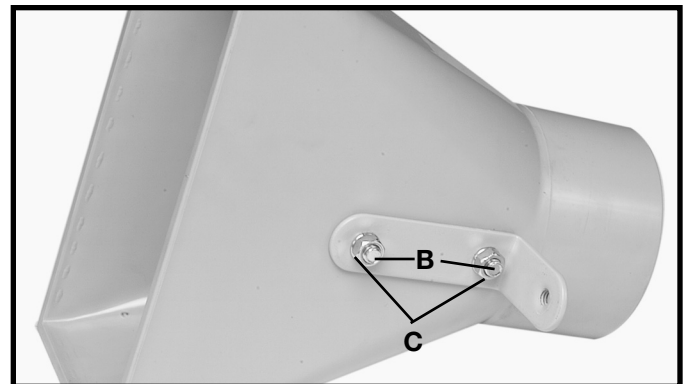


Fig. 12

7. Attach the upper support bracket (B) Fig. 13 to the intake support angle brace (C) with the adjustable locking lever (D). **NOTE: PLACE A M8.4 FLAT WASHER (E) AND A 5/16" LOCKWASHER (F) FIG. 13, ONTO LOCKING LEVER SCREW BEFORE ATTACHING TO THE INTAKE SUPPORT ANGLE BRACE.**

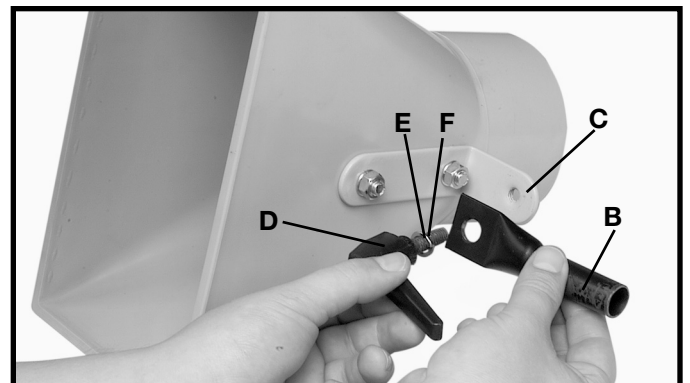


Fig. 13

- Place intake funnel assembly (A), onto lower support tube (B) Fig. 14, and secure with tube clamp (C).

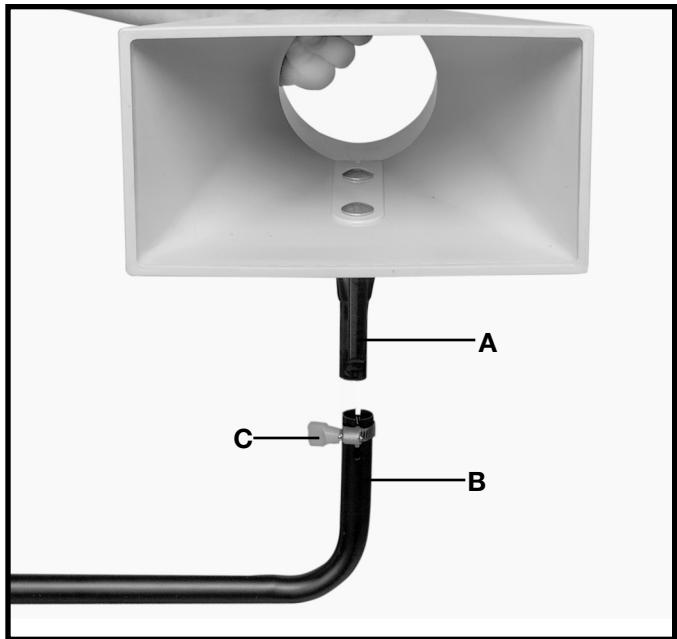


Fig. 14

VACUUM HOSE TO DUST COLLECTOR

⚠ WARNING Disconnect machine from power source!

- Place the intake cap holder (D) on the dust collector as shown in Fig. 15. **NOTE: DO NOT COVER THE INTAKE PORT WITH THE INTAKE CAP WHEN ATTACHING THE HOSE TO THE INTAKE PORT.**
- Place hose clamp (A) Fig. 15, onto one end of vacuum hose (B) and slide hose around intake port (C) as shown in Fig. 16. Tighten hose clamp (A).

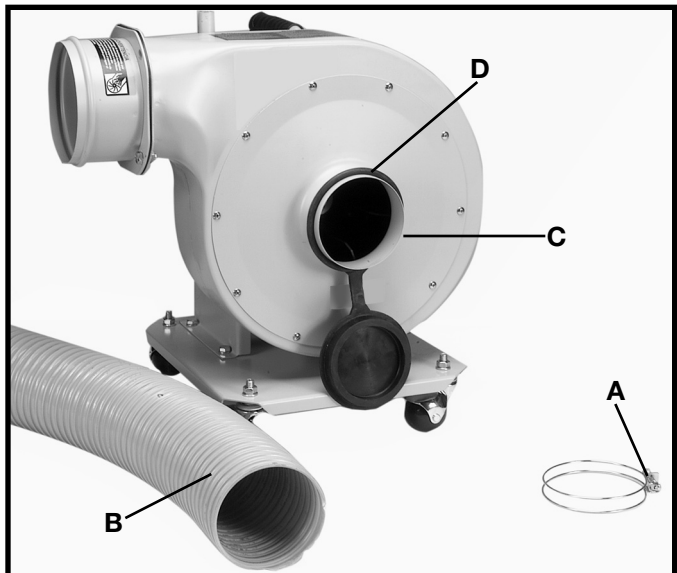


Fig. 15

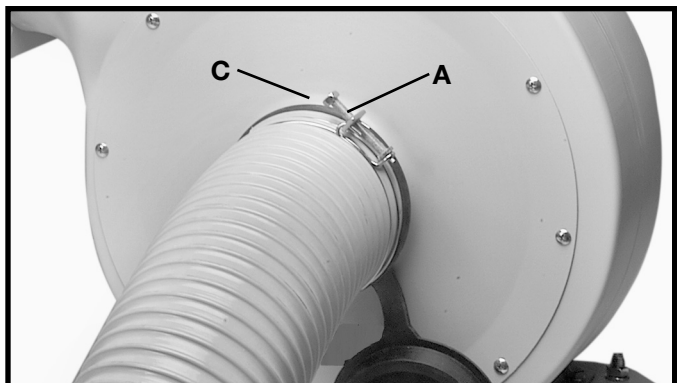


Fig. 16

- Place the remaining hose clamp (A) Fig. 17, around the other end of hose (B), slide hose (B) onto intake funnel (C), and tighten hose clamp (A). **NOTE:** If desired, intake funnel (C) can be rotated to the vertical position, as shown in Fig. 18.

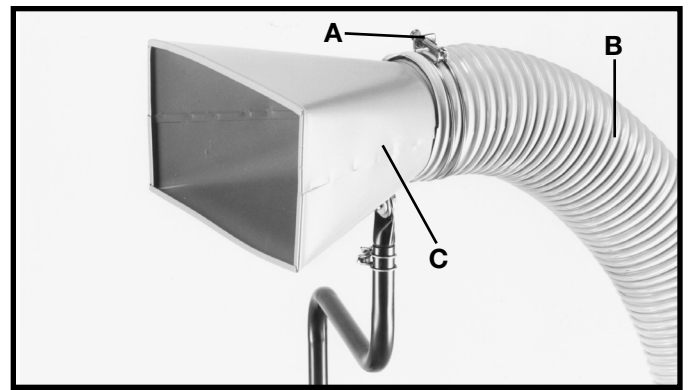


Fig. 17

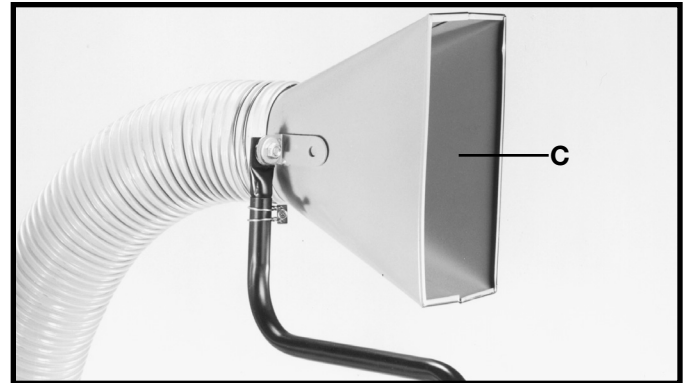


Fig. 18

DUST BAG TO DUST COLLECTOR

⚠️ WARNING Disconnect machine from power source!

Loosely thread end of dust bag strap (A) through clamp (B) as shown in Fig. 19. Place open end of dust bag (C) Fig. 19, over outlet flange (D) Fig. 20 and firmly pull strap (A) to fasten dust collection bag to outlet flange.

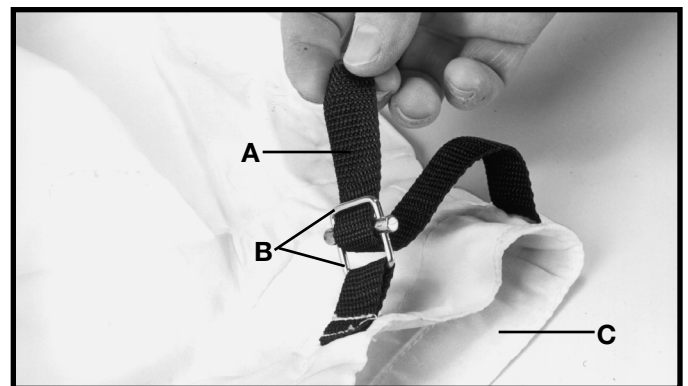


Fig. 19

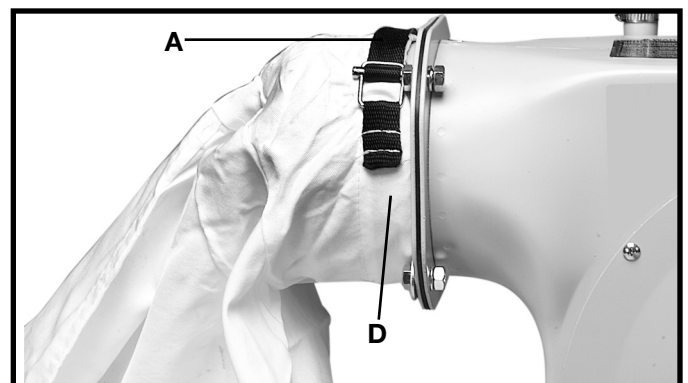


Fig. 20

OPERATION

⚠ WARNING For operator safety, make certain the dust intake port is covered with the hose before operating the machine. The rotating fan inside the blower housing is accessible through the dust intake port and is hazardous. Make sure intake cap covers the intake port when hose is removed. Always wear proper apparel. Do not wear jewelry and keep fingers and all foreign objects out of the dust intake port. Always follow the safety rules of this manual.

OPERATIONAL CONTROLS AND ADJUSTMENTS

STARTING AND STOPPING DUST COLLECTOR

1. The on/off switch (A) Fig. 24 is located on the front of the machine. To turn the machine **“ON”**, move the switch up to the **“ON”** position.
2. To turn the machine **“OFF”**, move the switch (A) down to the **“OFF”** position.

⚠ WARNING MAKE SURE THAT THE SWITCH IS IN THE **“OFF”** POSITION BEFORE PLUGGING IN THE POWER CORD. IN THE EVENT OF A POWER FAILURE, MOVE THE SWITCH TO THE **“OFF”** POSITION. AN ACCIDENTAL START-UP CAN CAUSE INJURY.

LOCKING SWITCH IN THE **“OFF”** POSITION

IMPORTANT: When the machine is not in use, the switch should be locked in the **“OFF”** position to prevent unauthorized use. To lock the machine, grasp the switch toggle (B) Fig. 25, and pulling it out of the switch as shown. With the switch toggle (B) removed, the switch will not operate. However, should the switch toggle be removed while the machine is running, it can be turned **“OFF”** once, but cannot be restarted without re-inserting the switch toggle (B).

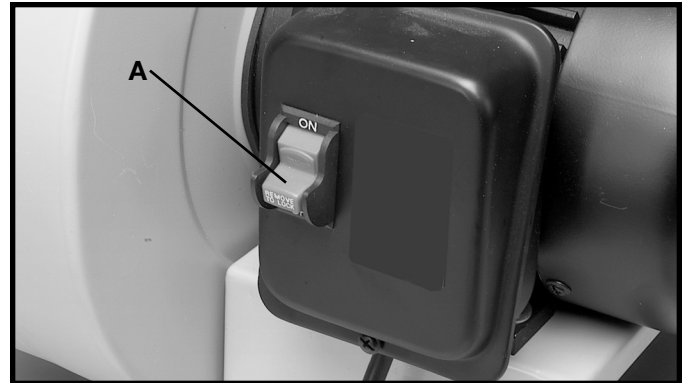


Fig. 24

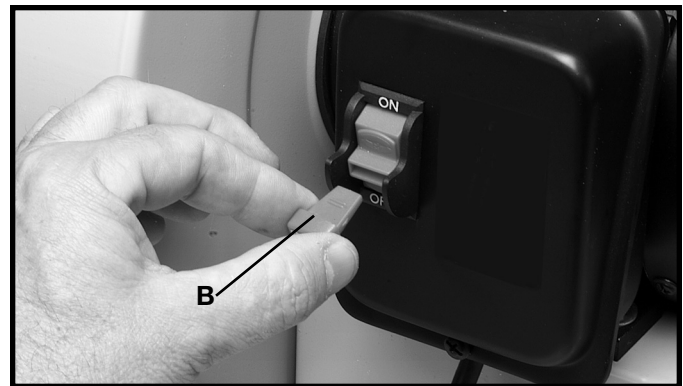


Fig. 25

MACHINE USE

This versatile dust collector is light, compact and can easily be transported for use in and out of the workshop. This dust collector can be used with many different types of woodworking machinery as shown in Figs. 26, 27, and 28. .

Fig. 26 illustrates the dust collector used with a router. Note that the intake port is adjusted so that dust created by the router will be collected.

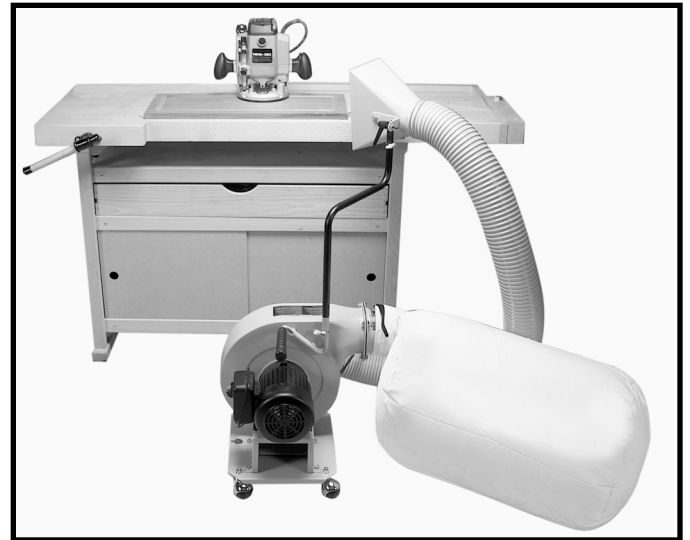


Fig. 26

Fig. 27 illustrates the dust collector used with a table saw. Note that the intake port is removed from the lower tube support. The intake funnel can be clamped to a tool as shown.

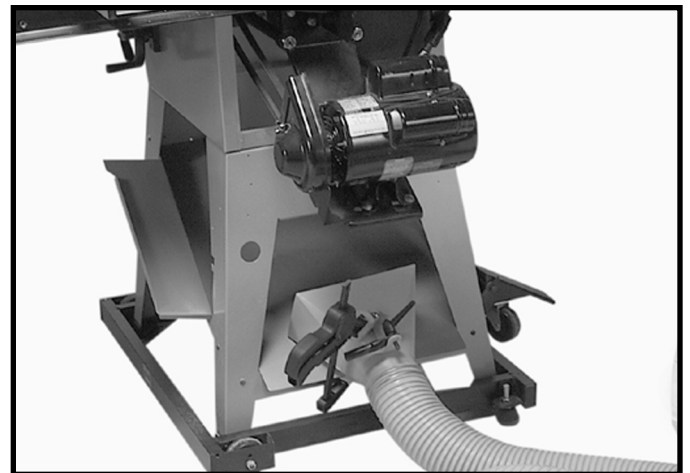


Fig. 27

Fig. 28 illustrates the dust collector used with a drum sander that is equipped with a dust removal port. The 4" hose can be connected directly to the dust removal port.



Fig. 28

TRANSPORTATION AND STORAGE

1. The dust collector features a convenient carrying handle with rubber grip (A) Fig. 29, which allows the unit to be carried easily from one job area to another. **IMPORTANT: THE DUST COLLECTOR WEIGHS APPROXIMATELY 46 LBS. CARE SHOULD BE TAKEN WHEN LIFTING AND TRANSPORTING THE MACHINE.**
2. In addition to the carrying handle, the machine features a storage mounting bracket (B) Fig. 30, with a hole for mounting the dust collector to a wall or wooden support when not in use.

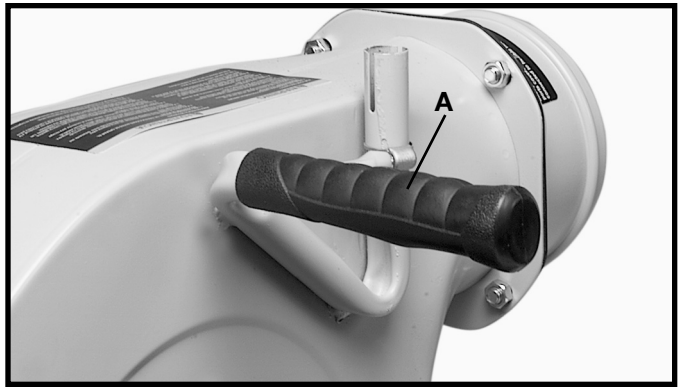


Fig. 29

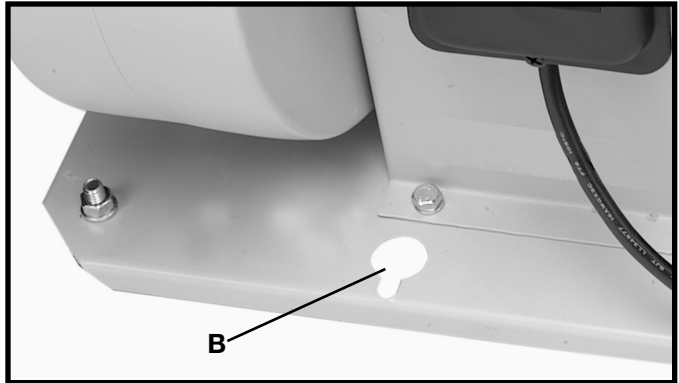


Fig. 30

TROUBLESHOOTING

For assistance with your machine, visit our website at www.deltamachinery.com for a list of service centers or call the DELTA Machinery help line at 1-800-223-7278 (In Canada call 1-800-463-3582).

MAINTENANCE

⚠ WARNING Before any maintenance or service is performed, be sure the dust collector is disconnected from the power source to prevent accidental starting. All maintenance other than the items recommended in this manual should be performed by an authorized Delta Service Center.

1. **⚠ WARNING** Always disconnect the machine from the power source before performing any maintenance procedures.
2. The condition of the dust bag should be checked periodically for damage and emptied on a regular basis. Do not transport the machine with a full dust bag.
3. Clean and apply a dry silicone lubricant monthly to the impeller to remove any dirt or build-up of pitch, gum and wood shavings.
4. **⚠ WARNING** Always make sure that the intake cap (A) Fig. 31, covers the intake port when the hose is not connected to the machine.

KEEP MACHINE CLEAN

Periodically blow out all air passages with dry compressed air. All plastic parts should be cleaned with a soft damp cloth. NEVER use solvents to clean plastic parts. They could possibly dissolve or otherwise damage the material.

⚠ WARNING Wear ANSI Z87.1 safety glasses while using compressed air.

FAILURE TO START

Should your machine fail to start, check to make sure the prongs on the cord plug are making good contact in the outlet. Also, check for blown fuses or open circuit breakers in the line.

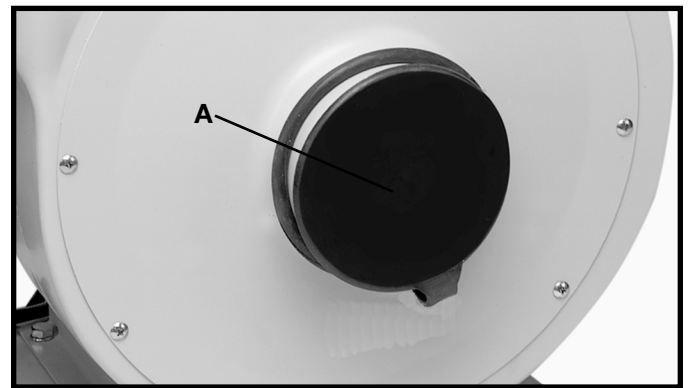


Fig. 31

SERVICE



PARTS, SERVICE OR WARRANTY ASSISTANCE

All Delta Machines and accessories are manufactured to high quality standards and are serviced by a network of Porter-Cable • Delta Factory Service Centers and Delta Authorized Service Stations. To obtain additional information regarding your Delta quality product or to obtain parts, service, warranty assistance, or the location of the nearest service outlet, please call 1-800-223-7278 (In Canada call 1-800-463-3582).

ACCESSORIES

A complete line of accessories is available from your Delta Supplier, Porter-Cable • Delta Factory Service Centers, and Delta Authorized Service Stations. Please visit our Web Site www.deltamachinery.com for a catalog or for the name of your nearest supplier.

▲ WARNING Since accessories other than those offered by Delta have not been tested with this product, use of such accessories could be hazardous. For safest operation, only Delta recommended accessories should be used with this product.

WARRANTY



Two Year Limited New Product Warranty

Delta will repair or replace, at its expense and at its option, any new Delta machine, machine part, or machine accessory which in normal use has proven to be defective in workmanship or material, provided that the customer returns the product prepaid to a Delta factory service center or authorized service station with proof of purchase of the product within two years and provides Delta with reasonable opportunity to verify the alleged defect by inspection. For all refurbished Delta product, the warranty period is 180 days. Delta may require that electric motors be returned prepaid to a motor manufacturer's authorized station for inspection and repair or replacement. Delta will not be responsible for any asserted defect which has resulted from normal wear, misuse, abuse or repair or alteration made or specifically authorized by anyone other than an authorized Delta service facility or representative. Under no circumstances will Delta be liable for incidental or consequential damages resulting from defective products. This warranty is Delta's sole warranty and sets forth the customer's exclusive remedy, with respect to defective products; all other warranties, express or implied, whether of merchantability, fitness for purpose, or otherwise, are expressly disclaimed by Delta.

Recolector de Polvo Portátil de Etapa Sencilla (Modelo AP300)



PIEZA NO. A05734 - 12-17-04
Copyright © 2004 Delta Machinery

 **DELTA**[®] *ShopMaster*[™]

Para obtener más información sobre Delta Machinery,
visite nuestro sitio web en: www.deltamachinery.com

ENGLISH: PAGE 1

Para las piezas, el servicio, la garantía o la otra ayuda

llaman por favor **1-800-223-7278** (en la llamada **1-800-463-3582** de Canada).

INSTRUCCIONES DE SEGURIDAD IMPORTANTES

▲ ADVERTENCIA Lea y entienda todas advertencias y las instrucciones operadoras antes de utilizar cualquier instrumento o el equipo. Cuando se usa instrumentos o equipo, las precauciones básicas de la seguridad siempre se deben seguir para reducir el riesgo de la herida personal. La operación impropia, la conservación o la modificación de instrumentos o equipo podrían tener como resultado el daño grave de la herida y la propiedad. Hay ciertas aplicaciones para que equipas con herramienta y el equipo se diseña. La Delta Machinery recomienda totalmente que este producto no sea modificado y/o utilizado para ninguna aplicación de otra manera que para que se diseñó. Si usted tiene cualquiera pregunta el pariente a su aplicación no utiliza el producto hasta que usted haya escrito Delta Machinery y nosotros lo hemos aconsejado.

La forma en línea del contacto en www.deltamachinery.com

El Correo Postal: Technical Service Manager

Delta Machinery

4825 Highway 45 North

Jackson, TN 38305

(IN CANADA: 125 Mural St. Suite 300, Richmond Hill, ON, L4B 1M4)

Información con respecto a la operación segura y apropiada de este instrumento está disponible de las fuentes siguientes:

Power Tool Institute

1300 Sumner Avenue, Cleveland, OH 44115-2851

www.powertoolinstitute.org

National Safety Council

1121 Spring Lake Drive, Itasca, IL 60143-3201

American National Standards Institute, 25 West 43rd Street, 4 floor, New York, NY 10036 www.ansi.org

ANSI 01.1 Safety Requirements for Woodworking Machines, and

the U.S. Department of Labor regulations www.osha.gov

GUARDE ESTAS INSTRUCCIONES!

PAUTAS DE SEGURIDAD/DEFINICIONES

Es importante para usted leer y entender este manual. La información que lo contiene relaciona a proteger SU SEGURIDAD y PREVENIR los PROBLEMAS. Los símbolos debajo de son utilizados para ayudarlo a reconocer esta información.



▲ PELIGRO

Indica una situación de inminente riesgo, la cual, si no es evitada, causará la muerte o lesiones serias.

▲ ADVERTENCIA

Indica una situación potencialmente riesgosa, que si no es evitada, podría resultar en la muerte o lesiones serias.

▲ PRECAUCIÓN

Indica una situación potencialmente peligrosa, la cual, si no es evitada, podría resultar en lesiones menores o mode-radas.

PRECAUCIÓN

Usado sin el símbolo de seguridad de alerta indica una situa-ción potencialmente riesgosa la que, si no es evitada, podría causar daños en la propiedad.

PROPOSICIÓN DE CALIFORNIA 65

▲ ADVERTENCIA

Algunos tipos de aserrín creados por máquinas eléctricas de lijado, aserrado, amolado, perforado u otras actividades de la construcción, contienen materiales químicos conocidos (en el Estado de California) como causantes de cáncer, defectos de nacimiento u otros daños del aparato reproductivo. Algunos ejemplos de dichos productos químicos son:

- El plomo contenido en algunas pinturas con base de plomo
- Sílice cristalizado proveniente de los ladrillos, el cemento y otros productos de albañilería
- Arsénico y cromo de madera tratada químicamente

Su riesgo por causa de estas exposiciones varía, dependiendo de con cuánta frecuencia realice este tipo de trabajo. Para reducir su exposición a estos agentes químicos: trabaje en un área bien ventilada y trabaje con equipo de seguridad aprobado, use siempre protección facial o respirador **NIOSH/OSHA** aprobados cuando deba utilizar dichas herramientas.

NORMAS GENERALES DE SEGURIDAD

▲ ADVERTENCIA SI NO SE SIGUEN ESTAS NORMAS, EL RESULTADO PODRÍA SER LESIONES GRAVES.

- 1. PARA SU PROPIA SEGURIDAD, LEA EL MANUAL DE INSTRUCCIONES ANTES DE UTILIZAR LA MÁQUINA.** Al aprender la aplicación, las limitaciones y los peligros específicos de la máquina, se minimizará enormemente la posibilidad de accidentes y lesiones.
- 2. USE PROTECCIÓN DE LOS OJOS Y DE LA AUDICIÓN. USE SIEMPRE ANTEOJOS DE SEGURIDAD.** Los lentes de uso diario NO son anteojos de seguridad. USE EQUIPO DE SEGURIDAD CERTIFICADO. El equipo de protección de los ojos debe cumplir con las normas ANSI Z87.1. El equipo de protección de la audición debe cumplir con las normas ANSI S3.19.
- 3. USE INDUMENTARIA ADECUADA.** No use ropa holgada, guantes, corbatas, anillos, pulseras u otras joyas que podrían engancharse en las piezas móviles. Se recomienda usar calzado antideslizante. Use una cubierta protectora del pelo para sujetar el pelo largo.
- 4. NO UTILICE LA MÁQUINA EN UN ENTORNO PELIGROSO.** La utilización de herramientas mecánicas en lugares húmedos o mojados, o en la lluvia, puede causar descargas eléctricas o electrocución. Mantenga bien iluminada el área de trabajo para evitar tropezar o poner en peligro los brazos, las manos y los dedos.
- 5. MANTENGA TODAS LAS HERRAMIENTAS Y MÁQUINAS EN CONDICIONES ÓPTIMAS.** Mantenga las herramientas afiladas y limpias para lograr el mejor y más seguro rendimiento. Siga las instrucciones de lubricación y cambio de accesorios. Las herramientas y las máquinas mal mantenidas pueden dañar más la herramienta o la máquina y/o causar lesiones.
- 6. COMPRUEBE SI HAY PIEZAS DAÑADAS.** Antes de utilizar la máquina, compruebe si hay piezas dañadas. Compruebe la alineación de las piezas móviles, si las piezas móviles se atascan, si hay piezas rotas y toda otra situación que podría afectar su funcionamiento. Un protector o cualquier otra pieza que presente daños debe repararse o reemplazarse apropiadamente. Las piezas dañadas pueden causar daños adicionales a la máquina y/o lesiones.
- 7. MANTENGA LIMPIA EL ÁREA DE TRABAJO.** Las áreas y los bancos desordenados invitan a que se produzcan accidentes.
- 8. MANTENGA ALEJADOS A LOS NIÑOS Y A LOS VISITANTES.** El taller es un entorno potencialmente peligroso. Los niños y los visitantes pueden sufrir lesiones.
- 9. REDUZCA EL RIESGO DE UN ARRANQUE NO INTENCIONADO.** Asegúrese de que el interruptor esté en la posición de apagado antes de enchufar el cable de alimentación. En caso de un apagón, mueva el interruptor a la posición de apagado. Un arranque accidental podría causar lesiones.
- 10. UTILICE LOS PROTECTORES.** Asegúrese de que todos los protectores estén colocados en su sitio, sujetos firmemente y funcionando correctamente para prevenir lesiones.
- 11. QUITÉ LAS LLAVES DE AJUSTE Y DE TUERCA ANTES DE ARRANCAR LA MÁQUINA.** Las herramientas, los pedazos de desecho y otros residuos pueden salir despedidos a alta velocidad, causando lesiones.
- 12. UTILICE LA MÁQUINA ADECUADA.** No fuerce una máquina o un aditamento a hacer un trabajo para el que no se diseñó. El resultado podría ser daños a la máquina y/o lesiones.
- 13. UTILICE ACCESORIOS RECOMENDADOS.** La utilización de accesorios y aditamentos no recomendados por Delta podría causar daños a la máquina o lesiones al usuario.
- 14. UTILICE EL CORDÓN DE EXTENSIÓN ADECUADO.** Asegúrese de que el cordón de extensión esté en buenas condiciones. Cuando utilice un cordón de extensión, asegúrese de utilizar un cordón que sea lo suficientemente pesado como para llevar la corriente que su producto tome. Un cordón de tamaño insuficiente causará una caída de la tensión de la línea, lo cual producirá una pérdida de potencia y recalentamiento. Consulte el Cuadro de cordones de extensión para obtener el tamaño correcto dependiendo de la longitud del cordón y la capacidad nominal en amperios indicada en la placa de especificaciones. En caso de duda, utilice el próximo calibre más grueso. Cuanto más pequeño sea el número de calibre, más pesado será el cordón.
- 15. SUJETE FIRMEMENTE LA PIEZA DE TRABAJO.** Utilice abrazaderas o un tornillo de carpintero para sujetar la pieza de trabajo cuando resulte práctico. La pérdida de control de una pieza de trabajo puede causar lesiones.
- 16. HAGA AVANZAR LA PIEZA DE TRABAJO CONTRA EL SENTIDO DE ROTACIÓN DE LA HOJA, EL CORTADOR O LA SUPERFICIE ABRASIVA.** Si la hace avanzar desde el otro sentido, el resultado será que la pieza de trabajo salga despedida a alta velocidad.
- 17. NO FUERCE LA PIEZA DE TRABAJO SOBRE LA MÁQUINA.** El resultado podría ser daños a la máquina y/o lesiones.
- 18. NO INTENTE ALCANZAR DEMASIADO LEJOS.** Una pérdida del equilibrio puede hacerle caer en una máquina en funcionamiento, causándole lesiones.
- 19. NO SE SUBA NUNCA A LA MÁQUINA.** Se podrían producir lesiones si la herramienta se inclina o si usted hace contacto accidentalmente con la herramienta de corte.
- 20. NO DEJE NUNCA DESATENDIDA LA MÁQUINA CUANDO ESTÉ EN MARCHA. APÁGUELA.** No deje la máquina hasta que ésta se detenga por completo. Un niño o un visitante podría resultar lesionado.
- 21. APAGUE LA MÁQUINA Y DESCONÉCTELA DE LA FUENTE DE ALIMENTACIÓN** antes de instalar o quitar accesorios, antes de ajustar o cambiar configuraciones o al realizar reparaciones. Un arranque accidental puede causar lesiones.
- 22. HAGA SU TALLER A PRUEBA DE NIÑOS CON CANDADOS E INTERRUPTORES MAESTROS O QUITANDO LAS LLAVES DE ARRANQUE.** El arranque accidental de una máquina por un niño o un visitante podría causar lesiones.
- 23. MANTÉNGASE ALERTA, FÍJESE EN LO QUE ESTÁ HACIENDO Y USE EL SENTIDO COMÚN. NO UTILICE LA MÁQUINA CUANDO ESTÉ CANSADO O BAJO LA INFLUENCIA DE DROGAS, ALCOHOL O MEDICAMENTOS.** Un momento de distracción mientras se estén utilizando herramientas mecánicas podría causar lesiones.
- 24. ▲ ADVERTENCIA EL USO DE ESTA HERRAMIENTA PUEDE GENERAR Y DISPERSAR POLVO U OTRAS PARTÍCULAS SUSPENDIDAS EN EL AIRE, INCLUYENDO POLVO DE MADERA, POLVO DE SÍLICE CRISTALINA Y POLVO DE ASBESTO.** Dirija las partículas de modo que se alejen de la cara y del cuerpo. Utilice siempre la herramienta en un área bien ventilada y proporcione un medio apropiado de remoción de polvo. Use un sistema de recolección de polvo en todos los lugares donde sea posible. La exposición al polvo puede causar lesiones respiratorias graves y permanentes u otras lesiones graves y permanentes, incluyendo silicosis (una enfermedad pulmonar grave), cáncer y muerte. Evite aspirar el polvo y evite el contacto prolongado con el polvo. Si se permite que el polvo entre en la boca o en los ojos, o que se deposite en la piel, se puede promover la absorción de material nocivo. Use siempre protección respiratoria aprobada por NIOSH/OSHA que se ajuste apropiadamente y sea adecuada para la exposición al polvo, y lávese las áreas expuestas con agua y jabón.

NORMAS ESPECÍFICAS ADICIONALES DE SEGURIDAD

▲ ADVERTENCIA EL NO ACATAR ESTAS REGLAS PUEDE TENER COMO RESULTADO GRAVES LESIONES FISICAS

▲ PELIGRO **UTILICE** el colector de polvo para recoger materiales de madera solamente. **NO** utilice el colector de polvo para recoger virutas metálicas, polvo metálico o piezas metálicas.

▲ ADVERTENCIA **NUNCA** utilice el colector de polvo para disipar vapores o humo. **NUNCA** recoja nada que esté ardiendo o desprendiendo humo, como cigarrillos, fósforos o cenizas calientes.

- NO UTILICE ESTA MÁQUINA** hasta que esté completamente montada e instalada de acuerdo con las instrucciones.
- OBTenga ASESORAMIENTO** de su supervisor, instructor u otra persona calificada si no está completamente familiarizado con la utilización de esta máquina.
- SIGA TODOS LOS CÓDIGOS DE CABLEADO** y las conexiones eléctricas recomendadas.
- NO** tire del colector de polvo por el cable de alimentación. **NUNCA** deje que el cable de alimentación entre en contacto con bordes afilados, superficies calientes, aceite o grasa. No ponga nada encima del cable de alimentación.
- Ponga **SIEMPRE** todos los controles en la posición de apagado antes de desenchufar el colector de polvo. **PARA REDUCIR EL RIESGO DE DESCARGAS ELÉCTRICAS**, no utilice la unidad sobre superficies mojadas. No la exponga a la lluvia. Guárdela en interiores.
- NO** utilice la unidad con ninguna abertura bloqueada; manténgala libre de polvo, pelusa, pelo y todo aquello que pueda reducir la circulación de aire.
- NO** utilice el colector de polvo para recoger líquidos inflamables o combustibles, como por ejemplo gasolina. **NUNCA** utilice el colector de polvo cerca de líquidos inflamables o combustibles.
- NO** introduzca los dedos ni objetos extraños en el orificio de entrada de polvo. Mantenga el pelo, la ropa holgada, los dedos y todas las partes del cuerpo alejados de las aberturas y las piezas móviles del colector de polvo.
- NUNCA** utilice el colector de polvo sin la bolsa de recolección de polvo colocada en su sitio y sujeta adecuadamente.
- INSPECCIONE PERIÓDICAMENTE** la bolsa para polvo con el fin de comprobar si tiene cortes, roturas o desgarraduras. **NUNCA** utilice el colector de polvo con una bolsa o manguera de aspiración dañada.
- Utilice **SIEMPRE** la cubierta de la entrada para cubrir el orificio para polvo cuando el colector de polvo no esté en uso o montado en una superficie de soporte para almacenamiento.
- NO** deje el colector de polvo enchufado en el tomacorriente eléctrico. Desenchufe el colector de polvo del tomacorriente cuando no se esté utilizando y antes de hacerle servicio, cambiar las bolsas, desatascarlo y limpiarlo.
- NUNCA** utilice el colector de polvo con una bolsa o manguera de aspiración dañada. **INSPECCIONE PERIÓDICAMENTE** la bolsa para polvo con el fin de comprobar si tiene cortes, roturas o desgarraduras.
- REEMPLACE** inmediatamente un cable de alimentación dañado. **NO** utilice un cable de alimentación o enchufe dañado. Si el colector de polvo no funciona correctamente, o si ha sufrido daños, se ha dejado a la intemperie o ha estado en contacto con agua, llévelo a un Centro de Servicio Autorizado para que le den servicio.
- APAGUE LA MÁQUINA Y DESCONÉCTELA** de la fuente de alimentación antes de instalar o quitar accesorios, antes de ajustar o cambiar las preparaciones o al hacer reparaciones.
- APAGUE LA MÁQUINA**, desconéctela de la fuente de alimentación y limpie la mesa/área de trabajo antes de dejar la máquina. **BLOQUEE EL INTERRUPTOR EN LA POSICIÓN DE APAGADO** para impedir el uso no autorizado.

GUARDE ESTAS INSTRUCCIONES.

Refiérase a ellas con frecuencia
y utilícelas para adiestrar a otros.

CONEXIONES A LA FUENTE DE ALIMENTACIÓN

Debe utilizarse un circuito eléctrico independiente para las máquinas. Este circuito debe tener alambre de no menos del No. 12 y debe estar protegido con un fusible de acción retardada de 20 A. Si se utiliza un cordón de extensión, utilice únicamente cordones de extensión de tres alambres que tengan enchufes de tipo de conexión a tierra con tres terminales y un receptáculo coincidente que acepte el enchufe de la máquina. Antes de conectar el máquina a la línea de alimentación, asegúrese de que el interruptor(s) esté en la posición de apagado y cerciórese de que la corriente eléctrica tenga las mismas características que las que estén indicadas en la máquina. Todas las conexiones a la línea de alimentación deben hacer buen contacto. El funcionamiento a bajo voltaje dañará el máquina.

⚠ PELIGRO NO EXPONGA LA MÁQUINA A LA LLUVIA NI LA UTILICE EN LUGARES HÚMEDOS.

ESPECIFICACIONES DEL MOTOR

La máquina está cableada para corriente alterna de 120 V, 60 Hz. Antes de conectar la máquina a la fuente de alimentación, asegúrese de que el interruptor esté en la posición de apagado.

INSTRUCCIONES DE CONEXIÓN A TIERRA

⚠ PELIGRO ESTA MÁQUINA DEBE ESTAR CONECTADA A TIERRA MIENTRAS SE ESTÉ UTILIZANDO, PARA PROTEGER AL OPERADOR CONTRA LAS DESCARGAS ELÉCTRICAS.

1. Todas las máquinas conectadas con cordón conectadas a tierra:

En caso de mal funcionamiento o avería, la conexión a tierra proporciona una ruta de resistencia mínima para la corriente eléctrica, con el fin de reducir el riesgo de descargas eléctricas. Esta máquina está equipada con un cordón eléctrico que tiene un conductor de conexión a tierra del equipo y un enchufe de conexión a tierra. El enchufe debe enchufarse en un tomacorriente coincidente que esté instalado y conectado a tierra adecuadamente, de acuerdo con todos los códigos y ordenanzas locales.

No modifique el enchufe suministrado. Si el enchufe no cabe en el tomacorriente, haga que un electricista calificado instale el tomacorriente apropiado.

La conexión inapropiada del conductor de conexión a tierra del equipo puede dar como resultado riesgo de descargas eléctricas. El conductor con aislamiento que tiene una superficie exterior de color verde con o sin franjas amarillas es el conductor de conexión a tierra del equipo. Si es necesario reparar o reemplazar el cordón eléctrico o el enchufe, no conecte el conductor de conexión a tierra del equipo a un terminal con corriente.

Consulte a un electricista competente o a personal de servicio calificado si no entiende completamente las instrucciones de conexión a tierra o si tiene dudas en cuanto a si la máquina está conectada a tierra apropiadamente.

Utilice únicamente cordones de extensión de tres alambres que tengan enchufes de tipo de conexión a tierra con tres terminales y receptáculos de tres conductores que acepten el enchufe de la máquina, tal como se muestra en la Fig. A.

Repáre o reemplace inmediatamente los cordones dañados o desgastados.

2. Máquinas conectadas con cordón conectadas a tierra diseñadas para utilizarse en un circuito de alimentación que tenga una capacidad nominal de menos de 150 V:

Si la máquina está diseñada para utilizarse en un circuito que tenga un tomacorriente parecido al que se ilustra en la Fig. A, la máquina tendrá un enchufe de conexión a tierra que se parece al enchufe ilustrado en la Fig. A. Puede utilizarse un adaptador temporal, que se parece al adaptador ilustrado en la Fig. B, para conectar este enchufe a un receptáculo coincidente de dos conductores, tal como se muestra en la Fig. B, si no se dispone de un tomacorriente conectado a tierra apropiadamente. El adaptador temporal debe utilizarse solamente hasta que un electricista calificado pueda instalar un tomacorriente conectado a tierra apropiadamente. La orejeta, lengüeta, etc., rígida de color verde que sobresale del adaptador debe conectarse a una toma de tierra permanente, como por ejemplo una caja tomacorriente conectada a tierra adecuadamente. Siempre que se utilice un adaptador, debe sujetarse en su sitio con un tornillo de metal.

NOTA: En Canadá, el uso de un adaptador temporal no está permitido por el Código Eléctrico Canadiense.

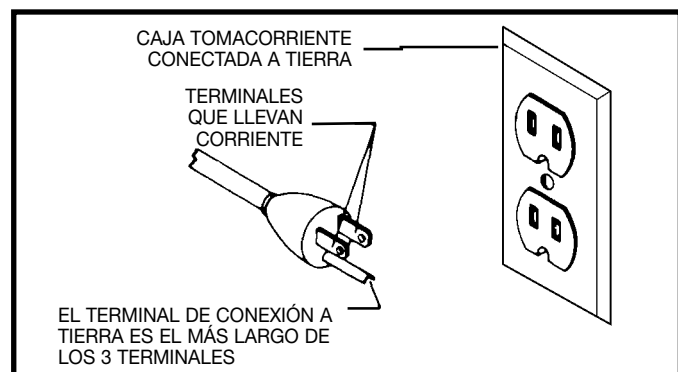


Fig. A

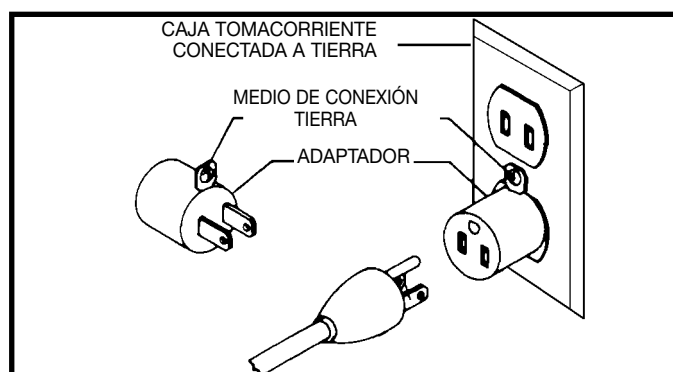


Fig. B

3. LA OPERACIÓN la MONOFÁSICO de 240 VOLTIOS

El motor provisto de su máquina es un voltaje dual, motor de 120/240 voltio. Es ready-to-run enviado para la operación de 120 voltios. Sin embargo, puede ser convertida para la operación de 240 voltios.

Un electricista cualificado debe hacer la conversión, o la máquina se puede llevar un centro de servicio autorizado del delta. Cuando está terminada, la máquina debe conformarse con el código eléctrico nacional y todos los códigos y ordenanzas locales.

La máquina es convertida cambiando el motor a 240 voltios, instalando un enchufe de 240 voltios a la cuerda de la fuente de alimentación y substituyendo el interruptor por una que sea clasificado para la operación de 240 voltios.

Sea seguro que el enchufe de 240 voltios está utilizado solamente en un enchufe que tiene la misma configuración que el enchufe ilustrado en Fig. C. Ningún adaptador no se debe utilizar con el enchufe de 240 voltios.

⚠ PELIGRO En todos los casos, asegúrese que el receptáculo en la pregunta esté puesto a tierra correctamente. Si usted no es seguro, haga que un electricista cualificado compruebe el receptáculo.

CORDONES DE EXTENSIÓN

Utilice cordones de extensión apropiados. Asegúrese de que el cordón de extensión esté en buenas condiciones y de que sea un cordón de extensión de tres alambres que tenga un enchufe de tipo de conexión a tierra con tres terminales y un receptáculo coincidente que acepte el enchufe de la máquina. Cuando utilice un cordón de extensión, asegúrese de emplear un cordón que sea lo suficientemente pesado como para llevar la corriente de la máquina. Un cordón de tamaño insuficiente causará una caída de la tensión de la línea eléctrica que dará como resultado pérdida de potencia y recalentamiento. En la Fig. D1 o D2 se muestra el calibre correcto que debe utilizarse dependiendo de la longitud del cordón. En caso de duda, utilice el siguiente calibre más pesado. Cuanto más pequeño sea el número de calibre, más pesado será el cordón.

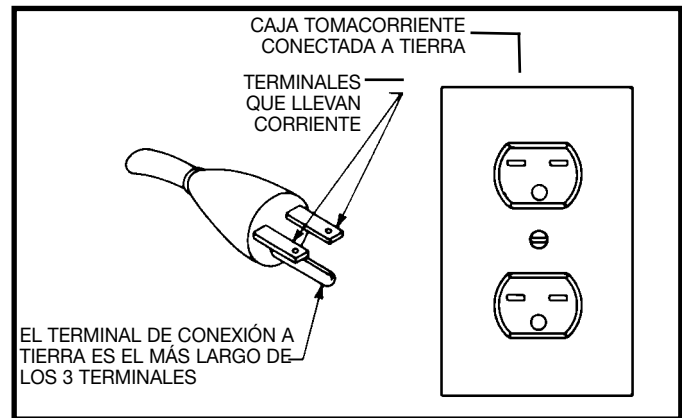


Fig. C

CORDÓN DE EXTENSIÓN DE CALIBRE MÍNIMO			
TAMAÑOS RECOMENDADOS PARA USO CON MÁQUINAS ELÉCTRICAS ESTACIONARIAS			
Capacidad Nominal En Amperios	Voltios	Longitud Total Del Cordon En Pies	Calibre Del Cordon De Extensión
0-6	120	Hasta 25	18 AWG
0-6	120	25-50	16 AWG
0-6	120	50-100	16 AWG
0-6	120	100-150	14 AWG
6-10	120	Hasta 25	18 AWG
6-10	120	25-50	16 AWG
6-10	120	50-100	14 AWG
6-10	120	100-150	12 AWG
10-12	120	Hasta 25	16 AWG
10-12	120	25-50	16 AWG
10-12	120	50-100	14 AWG
10-12	120	100-150	12 AWG
12-16	120	Hasta 25	14 AWG
12-16	120	25-50	12 AWG
12-16	120	NO SE RECOMIENDA LONGITUDES MAYOR DE 50 PIES	

Fig. D1

CORDÓN DE EXTENSIÓN DE CALIBRE MÍNIMO			
TAMAÑOS RECOMENDADOS PARA USO CON MÁQUINAS ELÉCTRICAS ESTACIONARIAS			
Capacidad Nominal En Amperios	Voltios	Longitud Total Del Cordon En Pies	Calibre Del Cordon De Extensión
0-6	240	Hasta 50	18 AWG
0-6	240	50-100	16 AWG
0-6	240	100-200	16 AWG
0-6	240	200-300	14 AWG
6-10	240	Hasta 50	18 AWG
6-10	240	50-100	16 AWG
6-10	240	100-200	14 AWG
6-10	240	200-300	12 AWG
10-12	240	Hasta 50	16 AWG
10-12	240	50-100	16 AWG
10-12	240	100-200	14 AWG
10-12	240	200-300	12 AWG
12-16	240	Hasta 50	14 AWG
12-16	240	50-100	12 AWG
12-16	240	NO SE RECOMIENDA LONGITUDES MAYOR DE 100 PIES	

Fig. D2

DESCRIPCIÓN FUNCIONAL

PROLOGO

El delta ShopMaster AP300 modelo es solo colector de polvo portable de la etapa.

NOTA: LA FOTO DE LA CUBIERTA DEL MANUAL ILUSTR A EL MODELO DE PRODUCCIÓN ACTUAL. TODAS LAS DEMÁS ILUSTRACIONES SON SOLAMENTE REPRESENTATIVAS Y ES POSIBLE QUE NO MUESTREN EL COLOR, EL ETIQUETADO Y LOS ACCESORIOS REALES.

CONTENIDO DE CARTON

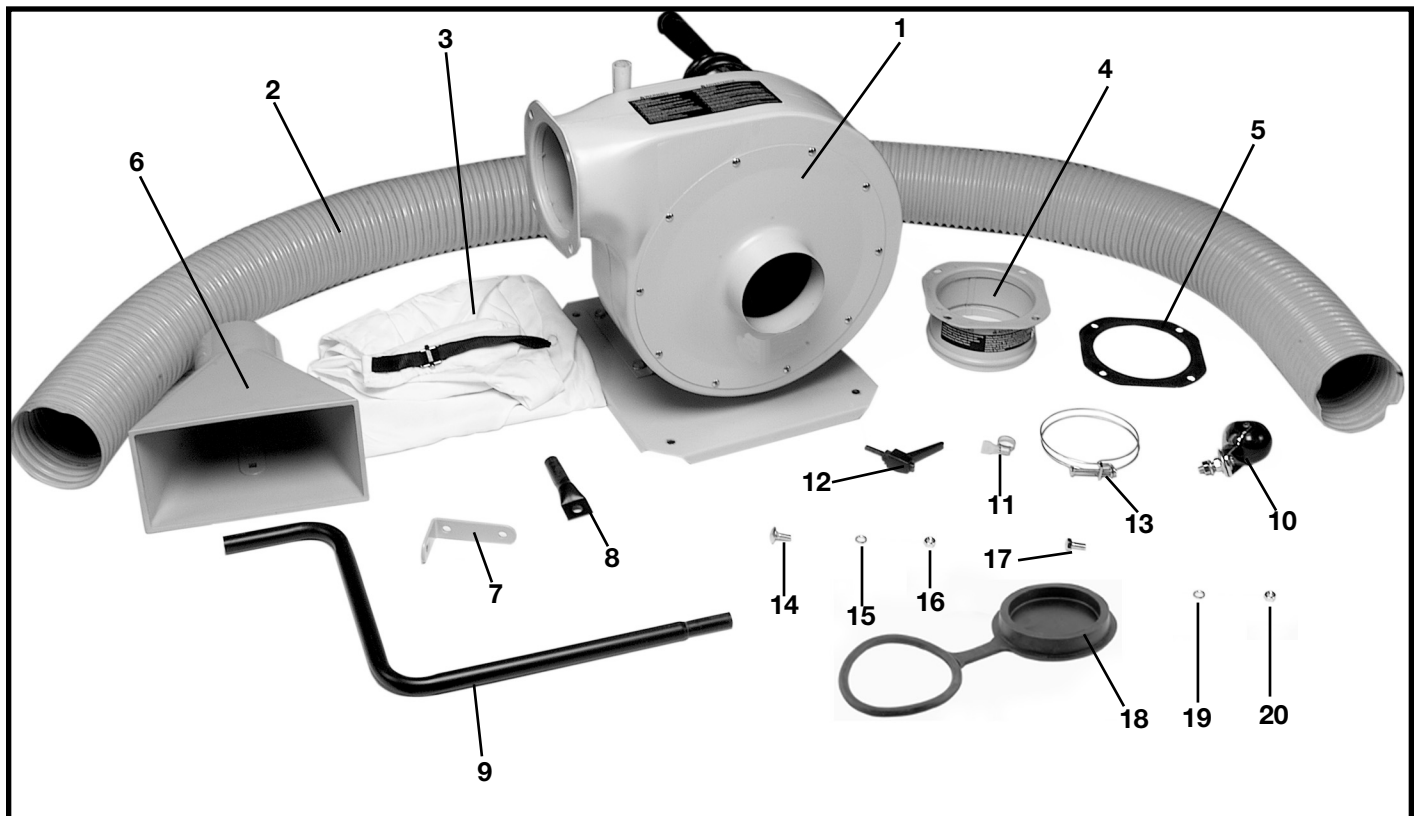


Fig. 2

- | | |
|---|--|
| 1. Colector de polvo | 11. Abrazaderas del soporte del tubo inferior (2) |
| 2. Manguera | 12. Palanca de fijación ajustable |
| 3. Bolsa para polvo | 13. Abrazaderas de manguera (2) |
| 4. Brida de la salida | 14. Perno de carruaje de cabeza semiesférica de 5/16-18x5/8" (2) |
| 5. Empaquetadura de la brida de la salida | 15. Arandela de seguridad de 5/16" |
| 6. Embudo de entrada | 16. Tuerca hexagonal reborde de 5/16" (6) |
| 7. Angular del soporte de la entrada | 17. Tornillo de cabeza hexagonal de 5/16-18x5/8" (4) |
| 8. Ménsula del soporte superior | 18. Tapa de la entrada |
| 9. Soporte del tubo inferior | 19. M8.4 arandela Plana |
| 10. Ruedecillas (4) | 20. Tuerca hexagonal reborde de 3/8" (4) |

DESEMPAQUETADO Y LIMPIEZA

Desempaque cuidadosamente la máquina y todas las piezas sueltas que están en el contenedor o contenedores de transporte. Quite el revestimiento protector de todas las superficies no pintadas. Este revestimiento puede quitarse con un paño suave humedecido con queroseno (no utilice acetona, gasolina ni diluyente de laca para este fin). Después de realizar la limpieza, cubra las superficies no pintadas con una cera en pasta doméstica de buena calidad para pisos.

ENSAMBLAJE

HERRAMIENTAS DE ENSAMBLAJE REQUERIDAS

1. 1/2" & 9/16" Abierto o la Caja Termina la Llave Inglesa - no proporcionó

2. 1/2" & 9/16" Enchufe y Maneja - no proporcionó

3. Plano o el Destornillador de Phillips - no proporcionó

ESTIMACIÓN DEL TIEMPO DE ENSAMBLAJE 1-2 hrs.

RUEDECILLAS

1. Coloque el colector de polvo sobre uno de sus lados.
2. Introduzca un perno de ruedecilla a través de los cuatro agujeros (A), Fig. 3, que están en la base del colector de polvo.
3. Enrosque una tuerca hexagonal reborde (B), Fig. 4, en la cabeza de cada uno de los cuatro pernos y apriétela firmemente.

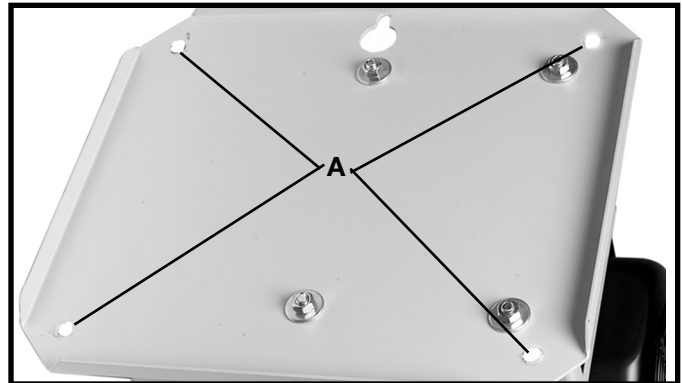


Fig. 3

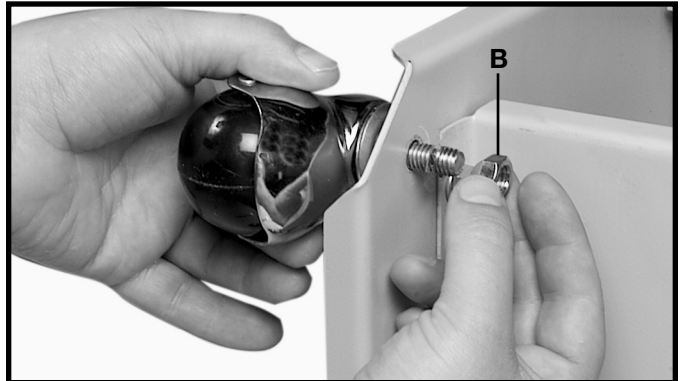


Fig. 4

DE LA BRIDA DE LA SALIDA

1. Alinee los agujeros de la brida de la salida (A), Fig. 5, con los agujeros que están en la empaquetadura de la brida de la salida (B).
2. Introduzca un perno de cabeza hexagonal de 5/16-18x5/8" a través de la brida de la salida, la empaquetadura de la brida de la salida y la unidad de la base, de la manera que se muestra en la Fig. 6.
3. Enrosque una tuerca hexagonal de 5/16" (B) en el perno de cabeza hexagonal de 5/16-18x5/8" (A), Fig. 6, y apriétela firmemente.
4. Repita este proceso para los tres pernos restantes.

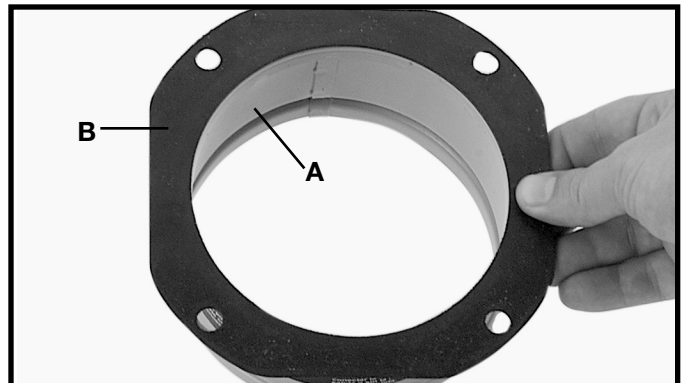


Fig. 5

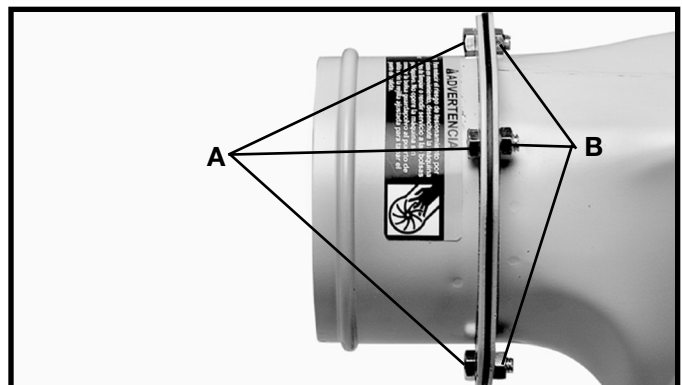


Fig. 6

DEL ORIFICIO PARA POLVO Y EL CONECTOR EN EL CUERPO DEL COLECTOR DE POLVO

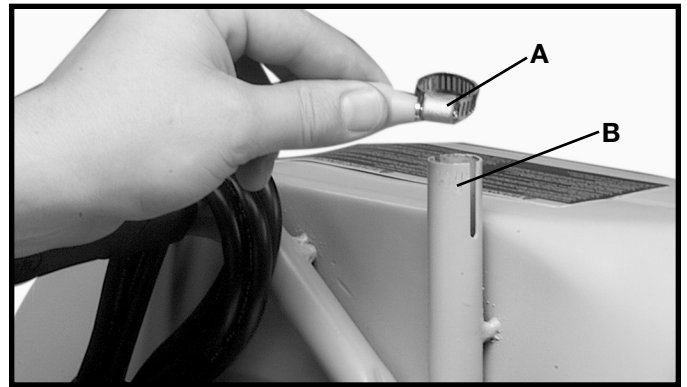


Fig. 7

1. Coloque la abrazadera de tubo (A), Fig. 7, sobre el portatubo del soporte inferior (B).

2. Introduzca la ménsula del soporte del tubo (A) en el portasoporte del tubo (B), de la manera que se muestra en la Fig. 8.

3. Coloque una abrazadera de tubo (A) sobre el soporte del tubo inferior, de la manera que se muestra en la Fig. 9.

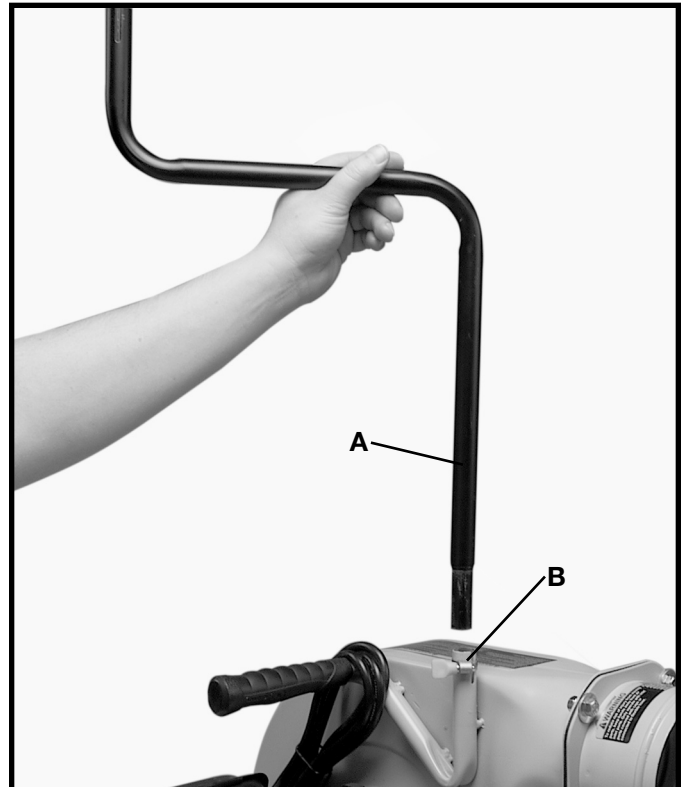


Fig. 8

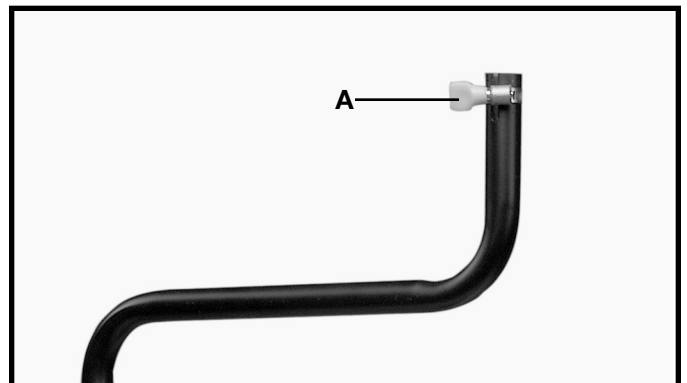


Fig. 9

4. Alinee los dos agujeros del anclaje del angular del soporte de la entrada (A), Fig. 10, con los dos agujeros del embudo de entrada (B).

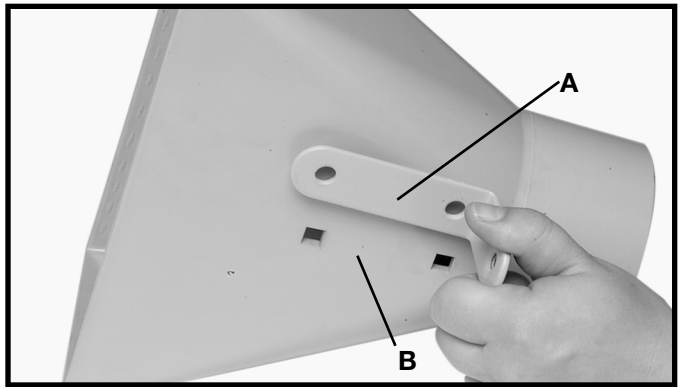


Fig. 10

5. Sujete el anclaje del angular del soporte de la entrada al embudo de entrada introduciendo los dos pernos de carruaje de cabeza semiesférica de 5/16-18x5/8" (C) a través del embudo de entrada (B) y el anclaje del angular del soporte de la entrada (A), de la manera que se muestra en la Fig. 11.

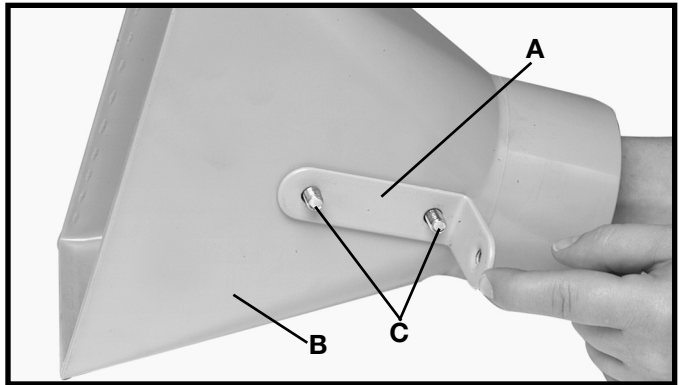


Fig. 11

6. Enrosque una tuerca hexagonal reborde de 5/16" (C) Fig. 12 en el perno (B) y apriétela firmemente.

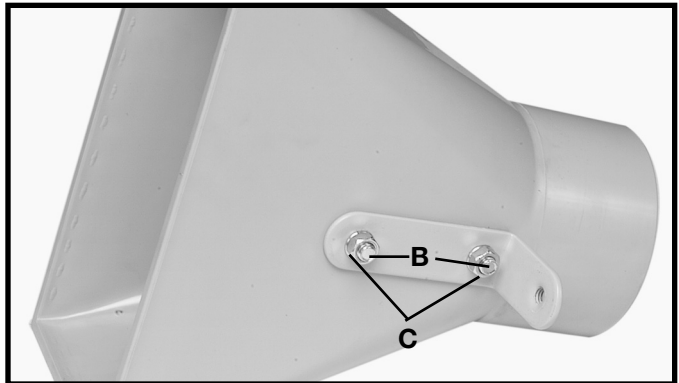


Fig. 12

7. Sujete la ménsula del soporte superior (B), Fig. 13, al angular del soporte de la entrada (C) con la palanca de fijación ajustable (D). **NOTA: COLOQUE UNA M8.4 ARANDELA PLANA (E) ARANDELA DE SEGURIDAD DE 5/16" (F), FIG. 13, EN EL TORNILLO DE LA PALANCA DE FIJACIÓN ANTES DE REALIZAR LA SUJECIÓN AL ANGULAR DEL SOPORTE DE LA ENTRADA.**

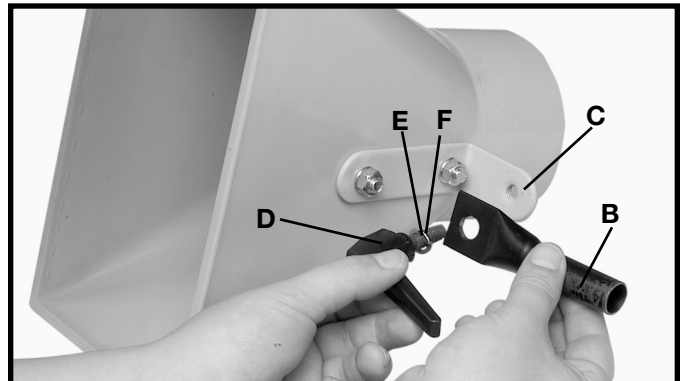


Fig. 13

8. Coloque el tubo de soporte inferior (B), Fig. 14, sobre el conjunto del embudo de entrada (A) y sujételo con la abrazadera de tubo (C).

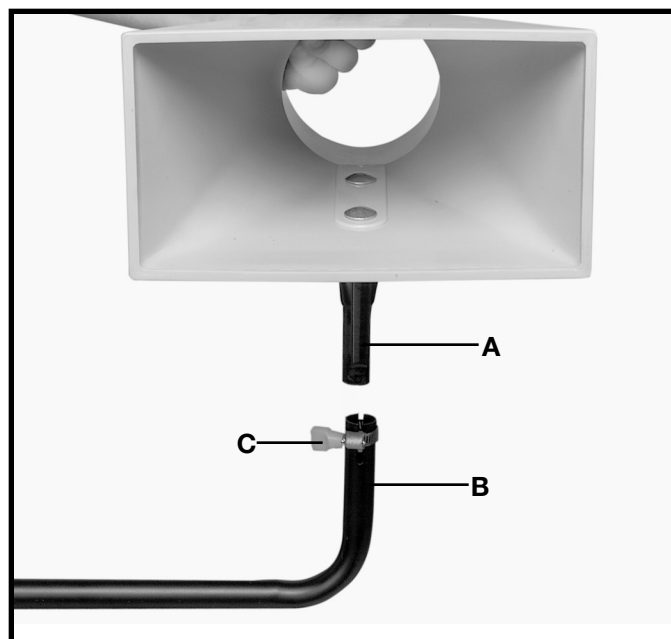


Fig. 14

DE UNA MANGUERA DE ASPIRACIÓN EN EL COLECTOR DE POLVO

1. Coloque el soporte de la tapa de la entrada (D) sobre el colector de polvo de la manera que se muestra en la Fig. 15. **NOTA: NO CUBRA EL ORIFICIO DE ENTRADA CON LA TAPA DE LA ENTRADA CUANDO ACOPLE LA MANGUERA AL ORIFICIO DE ENTRADA.**
2. Coloque la abrazadera de manguera (A), Fig. 15, en un extremo de la manguera de aspiración (B) y deslice la manguera alrededor del conector (C), de la manera que se muestra en la Fig. 16. Apriete la abrazadera de manguera (A).

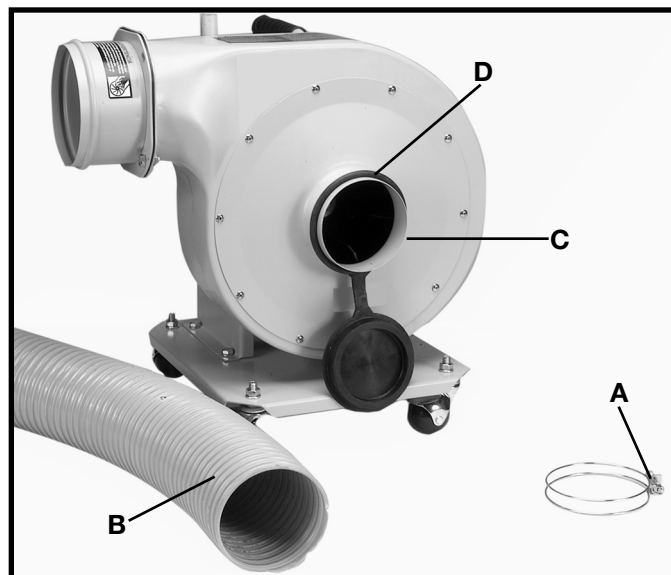


Fig. 15

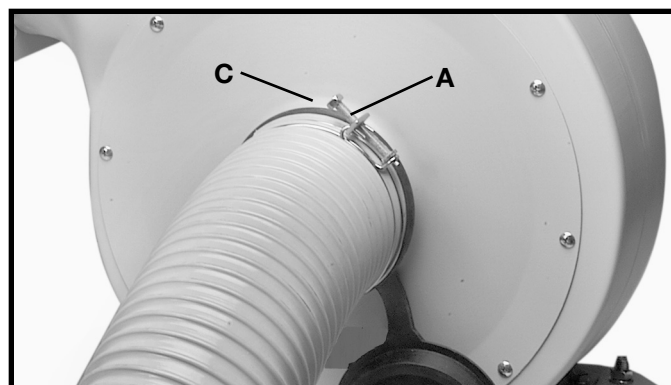


Fig. 16

3. Coloque la abrazadera de manguera restante (A), Fig. 17, alrededor del otro extremo de la manguera de aspiración (B), deslice la manguera (B) sobre el embudo de entrada (C) y apriete la abrazadera de manguera (A). NOTA: Si lo desea, el embudo de entrada (C) puede girarse hasta la posición vertical, de la manera que se muestra en la Fig. 18.

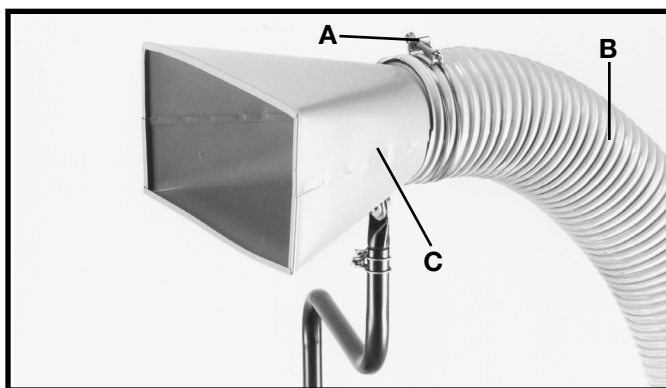


Fig. 17

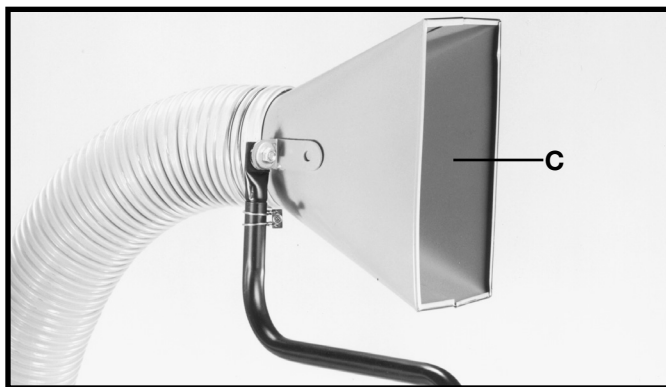


Fig. 18

DE LA BOLSA PARA POLVO EN EL COLECTOR DE POLVO

Inserte flojamente el extremo de la correa de la bolsa para polvo (A) a través de la abrazadera (B) de la manera que se muestra en la Fig. 19. Coloque el extremo abierto de la bolsa para polvo (C), Fig. 19, sobre la brida de la salida (D), Fig. 20, y tire firmemente de la correa (A) para sujetar la bolsa de recolección de polvo a la brida de la salida.

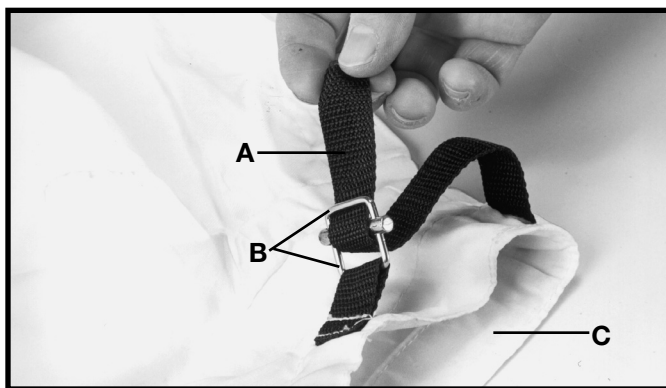


Fig. 19

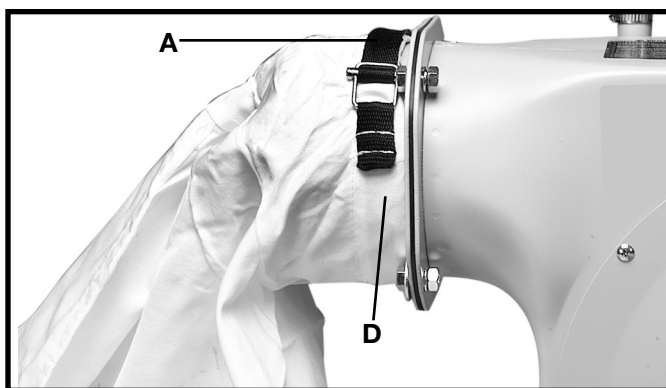


Fig. 20

OPERACIÓN

CONTROLES Y AJUSTES OPERACIONALES

⚠ ADVERTENCIA Antes de utilizar la máquina, para seguridad del operador, asegúrese de que el orificio de entrada de polvo está cubierto con la manguera de aspiración. El ventilador que gira en el interior de la carcasa del soplador es accesible a través del orificio de entrada de polvo y es peligroso. Asegúrese de que la tapa de la entrada cubra el orificio de entrada cuando se haya quitado la manguera. Use siempre indumentaria adecuada. No use alhajas y mantenga los dedos y todos los objetos extraños fuera del orificio de entrada de polvo. Siga siempre las normas de seguridad de este manual.

ARRANQUE Y PARADA DEL COLECTOR DE POLVO

1. El interruptor on/apagado. (A) la Fig. 24 está situada en el frente de la máquina. Para dar vuelta a ON de la máquina, mueva el interruptor hasta la posición de ON.
2. Para dar vuelta a OFF de la máquina, baje el interruptor (a) a la posición de OFF.

⚠ ADVERTENCIA CERCÍOARSE QUE EL INTERRUPTOR ESTÁ EN EL "LEJOS" LA POSICIÓN ANTES DE CONECTAR LA CUERDA DEL PODER. EN CASO DE UN FALLO DEL SUMINISTRO ELÉCTRICO, MUEVA EL INTERRUPTOR AL "LEJOS" LA POSICIÓN. UNA COMPANIA NUEVA ACCIDENTAL PUEDE CAUSAR LA HERIDA.

FIJACIÓN DEL INTERRUPTOR EN LA POSICIÓN DE APAGADO

IMPORTANTE: Cuando la herramienta no es adentro uso, el interruptor se debe bloquear en el OFF posición para prevenir uso desautorizado. Esto puede hacerse tomando la pieza acodada (B) y removiéndolo por completo del interruptor, tal como se ilustra en la Fig. 25. El interruptor no funcionará sin la pieza acodada (B). No obstante, si se quita la pieza acodada mientras que la sierra está funcionando, ésta puede ser apagada una vez, pero no puede volver a arrancar sin la inserción de la pieza acodada (B).



Fig. 24

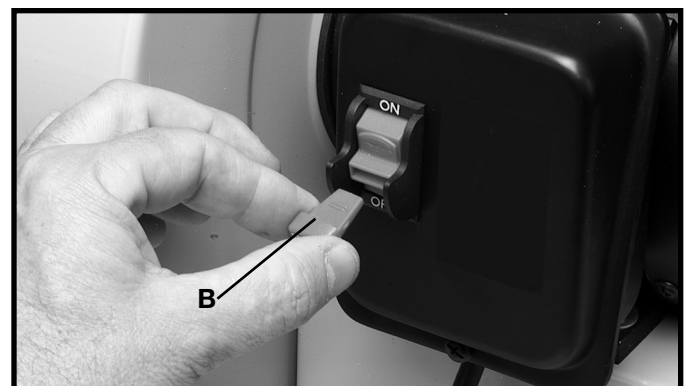


Fig. 25

UTILIZAR LA MAQUINA

Este versátil colector de polvo es liviano y compacto, y puede transportarse fácilmente a diversas ubicaciones para utilizarse dentro y fuera del taller. Este colector de polvo puede utilizarse con muchos tipos distintos de maquinaria de elaboración de la madera, tal como se muestra en las Figs. 26, 27 y 28. Este colector de polvo muestra su versatilidad en la forma en que el orificio de entrada puede posicionarse para acomodar distintos tipos de maquinaria de elaboración de la madera.

En la Fig. 26 se ilustra el colector de polvo utilizado en combinación con una fresadora. Observe que el orificio de entrada está ajustado de manera que podrá recolectar el polvo generado al utilizar la fresadora.

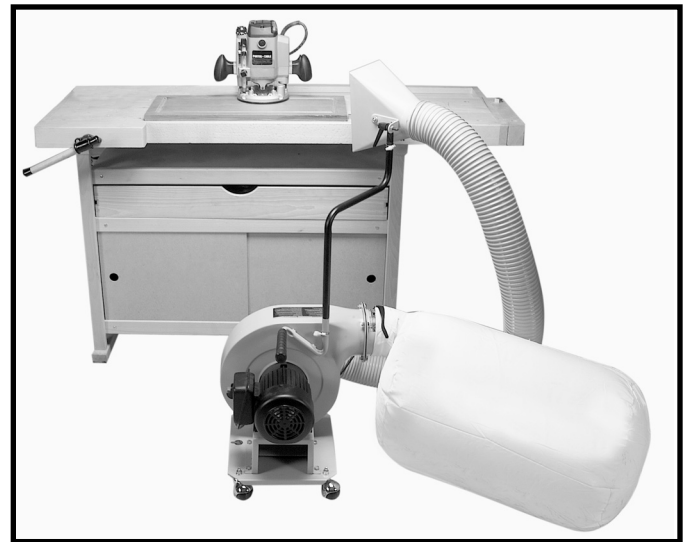


Fig. 26

En la Fig. 27 se ilustra el colector de polvo utilizado en combinación con una sierra de mesa. Observe que el orificio de entrada se ha quitado del soporte del tubo inferior. El embudo de entrada puede sujetarse con abrazaderas a una herramienta para proporcionar recolección de polvo de la manera que se muestra en la ilustración.



Fig. 27

En la Fig. 28 se ilustra el colector de polvo utilizado en combinación con una lijadora de tambor que está equipada con un orificio de remoción de polvo. Se puede quitar el embudo de entrada y conectar el tubo para polvo de 4 pulgadas directamente al orificio de remoción de polvo.



Fig. 28

TRANSPORTE Y ALMACENAMIENTO

1. El colector de polvo cuenta con una práctica asa de transporte con una empuñadura de goma (A), Fig. 29, que permite transportar fácilmente la unidad de un área de trabajo a otra. **IMPORTANTE: EL COLECTOR DE POLVO PESA APROXIMADAMENTE 46 LB. DEBE TENERSE CUIDADO AL LEVANTAR Y TRANSPORTAR LA MÁQUINA.**
2. Además del asa de transporte, la máquina cuenta con un soporte de montaje de almacenamiento (B), Fig. 30, con un agujero para montar el colector de polvo en una pared o un soporte de madera (cuando no se esté utilizando).

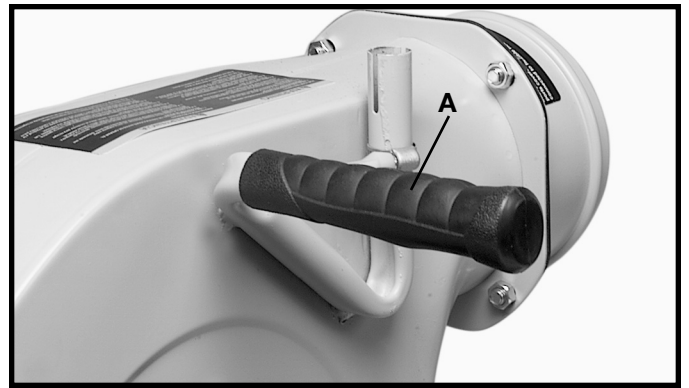


Fig. 29

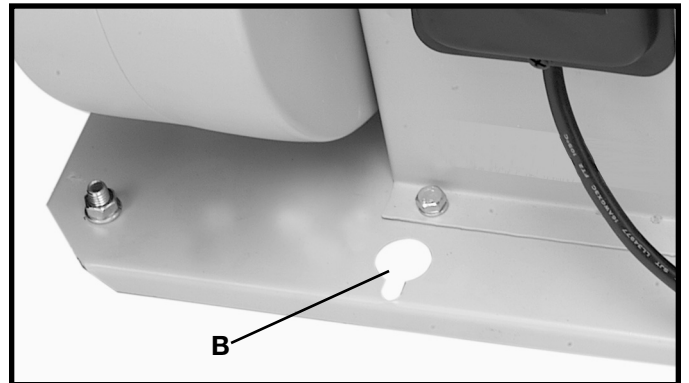


Fig. 30

LOCALIZACION DE FALLAS

Para obtener asistencia para su máquina, visite nuestro sitio Web en www.deltamachinery.com para tener acceso a una lista de centros de servicio o llame a la línea de ayuda de Delta Machinery al 1-800-223-7278. (En Canadá, llame al 1-800-463-3582.)

MANTENIMIENTO

⚠ ADVERTENCIA Antes de que se realice cualquier mantenimiento o servicio, asegúrese de que el colector de polvo esté desconectado de la fuente de alimentación para evitar un arranque accidental. Todo mantenimiento que no se relacione con los artículos recomendados en este manual debe ser realizado por un Centro de Servicio Delta autorizado.

1. **⚠ ADVERTENCIA** Desconecte siempre la máquina de la fuente de alimentación antes de realizar cualquier procedimiento de mantenimiento.
2. El estado de la bolsa para polvo debe comprobarse periódicamente para ver si hay daños, y la bolsa debe vaciarse de forma periódica. No transporte la máquina con una bolsa para polvo llena.
3. Limpie el impulsor y aplíquelo un lubricante de silicona seco mensualmente para quitar toda la suciedad o acumulación de resina, goma y virutas de madera.
4. **⚠ ADVERTENCIA** Asegúrese siempre de que la tapa de la entrada (A), Fig. 31, cubra el orificio de entrada cuando la manguera no esté conectada a la máquina.

MANTENGA LAS HERRAMIENTAS LIMPIAS

Periódicamente sople todos los conductos de ventilación con aire seco a presión. Todas las partes de plástico deben ser limpiadas con una tela suave y húmeda. NUNCA use solventes para limpiar las partes de plástico. Es posible que puedan disolver o de otra manera dañar el material.

⚠ ADVERTENCIA USE ANSI Z87.1 ANTEOJOS DE SEGURIDAD CUANDO USE AIRE A PRESIÓN.

FALLA DE PONERSE EN MARCHA

Si su herramienta falla de ponerse en marcha, revísela para asegurarse de que los contactos de la clavija estén en buen contacto con el tomacorriente. También, vea si hay fusibles fundidos o ruptores abiertos en el circuito.

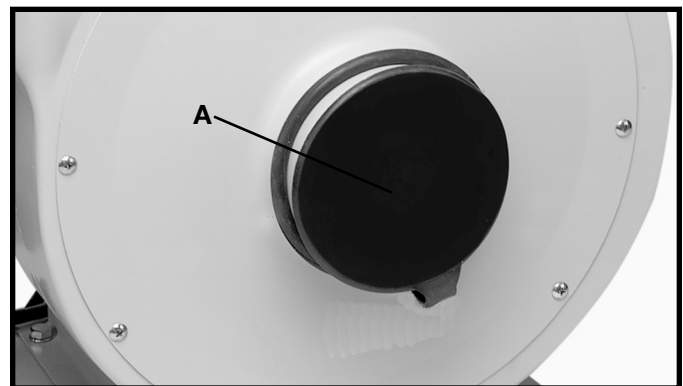


Fig. 31



PIEZAS, SERVICIO O ASISTENCIA DE GARANTÍA

Todas las máquinas y accesorios Delta se fabrican conforme a altos estándares de calidad y reciben servicio de una red de Centros de Servicio de Fábrica Porter-Cable • Delta y Estaciones de Servicio Autorizado Delta. Para obtener la información adicional con respecto a su producto de calidad del delta o para obtener piezas, el servicio, la ayuda de la garantía, o la localización del tomacorriente para servicio más cercano, llaman por favor 1-800-223-7278 (en la llamada 1-800-463-3582 de Canadá).

ACCESORIOS

Una línea completa de accesorios está disponible de su surtidor de Porter-Cable • Delta, centros de servicio de la fábrica de Porter-Cable • Delta, y estaciones autorizadas delta. Visite por favor nuestro Web site www.deltamachinery.com para un catálogo o para el nombre de su surtidor más cercano.

⚠ ADVERTENCIA Puesto que los accesorios con excepción de éstos ofrecidos por Delta no se han probado con este producto, el uso de tales accesorios podría ser peligroso. Para la operación más segura, solamente el delta recomendó los accesorios se debe utilizar con este producto.

GARANTÍA



Garantía limitada de dos años para productos nuevos

Delta reparará o reemplazará, a expensas y opción propias, cualquier máquina nueva, pieza de máquina nueva o accesorio de máquina nuevo Delta que durante el uso normal haya presentado defectos de fabricación o de material, siempre que el cliente devuelva el producto con el transporte prepago a un centro de servicio de fábrica Delta o una estación de servicio autorizado Delta, con un comprobante de compra del producto, dentro del plazo de dos años y dé a Delta una oportunidad razonable de verificar el supuesto defecto mediante la realización de una inspección. Para todos los productos Delta reacondicionados, el período de garantía es de 180 días. Delta podrá requerir que los motores eléctricos sean devueltos con el transporte prepago a una estación autorizada de un fabricante de motores para ser sometidos a inspección y reparación o para ser reemplazados. Delta no será responsable de ningún defecto alegado que haya resultado del desgaste normal, uso indebido, abuso o reparación o alteración realizada o autorizada específicamente por alguien que no sea un centro de servicio autorizado Delta o un representante autorizado Delta. Delta no será responsable en ninguna circunstancia de los daños incidentales o emergentes que se produzcan como resultado de productos defectuosos. Esta garantía es la única garantía de Delta y establece el recurso exclusivo del cliente en lo que respecta a los productos defectuosos; Delta rechaza expresamente todas las demás garantías, expresas o implícitas, tanto de comerciabilidad como de idoneidad para un propósito o de cualquier otro tipo.

PORTER-CABLE • DELTA SERVICE CENTERS (CENTROS DE SERVICIO DE PORTER-CABLE • DELTA)

Parts and Repair Service for Porter-Cable • Delta Machinery are Available at These Locations
(Obtenga Refaccion de Partes o Servicio para su Herramienta en los Siguietes Centros de Porter-Cable • Delta)

ARIZONA

Phoenix 85013-2906
4501 N. 7th Ave.
Phone: (602) 279-6414
Fax: (602) 279-5470

CALIFORNIA

Ontario 91761 (Los Angeles)
3949A East Guasti Road
Phone: (909) 390-5555
Fax: (909) 390-5554

San Diego 92111
7290 Clairemont Mesa Blvd.
Phone: (858) 279-2011
Fax: (858) 279-0362

San Leandro 94577 (Oakland)
3039 Teagarden Street
Phone: (510) 357-9762
Fax: (510) 357-7939

COLORADO

Denver 80223
700 West Mississippi Ave.
Phone: (303) 922-8325
Fax: (303) 922-0245

FLORIDA

Davie 33314 (Miami)
4343 South State Rd. 7 (441)
Unit #107
Phone: (954) 321-6635
Fax: (954) 321-6638

Tampa 33634
4909 West Waters Ave.
Phone: (813) 884-0434
Fax: (813) 888-5997

GEORGIA

Forest Park 30297 (Atlanta)
5442 Frontage Road,
Suite 112
Phone: (404) 608-0006
Fax: (404) 608-1123

ILLINOIS

Addison 60101 (Chicago)
400 South Rohlwing Rd.
Phone: (630) 424-8805
Fax: (630) 424-8895

KANSAS

Overland Park 66214
9201 Quivira Road
Phone: (913) 495-4330
Fax: (913) 495-4378

MARYLAND

Elkridge 21075 (Baltimore)
7397-102 Washington Blvd.
Phone: (410) 799-9394
Fax: (410) 799-9398

MASSACHUSETTS

Franklin 02038 (Boston)
Franklin Industrial Park
101E Constitution Blvd.
Phone: (508) 520-8802
Fax: (508) 528-8089

MICHIGAN

Madison Heights 48071 (Detroit)
30475 Stephenson Highway
Phone: (248) 597-5000
Fax: (248) 597-5004

MINNESOTA

Eden Prairie 55344
9709 Valley View Road
Phone: (952) 884-9191
Fax: (952) 884-3750

MISSOURI

St. Louis 63146
11477 Page Service Drive
Phone: (314) 997-9100
Fax: (314) 997-9183

NEW YORK

Flushing 11365-1595 (N.Y.C.)
175-25 Horace Harding Expwy.
Phone: (718) 225-2040
Fax: (718) 423-9619

NORTH CAROLINA

Charlotte 28270
9129 Monroe Road, Suite 115
Phone: (704) 841-1176
Fax: (704) 708-4625

OHIO

Columbus 43229
1948 Schrock Road
Phone: (614) 895-3112
Fax: (614) 895-3187

Parma Heights OH 44130
6485 Pearl Road
Phone: (440) 842-9100
Fax: (440) 884-3430

OREGON

Portland 97230
14811 North East Airport Way
Phone: (503) 255-6556
Fax: (503) 255-6543

PENNSYLVANIA

Willow Grove 19090
(Philadelphia)
520 North York Road
Phone: (215) 658-1430
Fax: (215) 658-1433

TEXAS

Carrollton 75006 (Dallas)
1300 Interstate 35 N, Suite 112
Phone: (972) 446-2996
Fax: (972) 446-8157

Houston 77022-2122
536 East Tidwell Rd.
Phone: (713) 692-7111
Fax: (713) 692-1107

WASHINGTON

Auburn 98001(Seattle)
3320 West Valley HWY, North
Building D, Suite 111
Phone: (253) 333-8353
Fax: (253) 333-9613

Authorized Service Stations are located in many large cities. Telephone **800-438-2486** or **731-541-6042** for assistance locating one. Parts and accessories for Porter-Cable•Delta products should be obtained by contacting any Porter-Cable•Delta Distributor, Authorized Service Center, or Porter-Cable•Delta Factory Service Center. If you do not have access to any of these, call **800-223-7278** and you will be directed to the nearest Porter-Cable•Delta Factory Service Center. Las Estaciones de Servicio Autorizadas están ubicadas en muchas grandes ciudades. Llame al **800-438-2486** ó al **731-541-6042** para obtener asistencia a fin de localizar una. Las piezas y los accesorios para los productos Porter-Cable•Delta deben obtenerse poniéndose en contacto con cualquier distribuidor Porter-Cable•Delta, Centro de Servicio Autorizado o Centro de Servicio de Fábrica Porter-Cable•Delta. Si no tiene acceso a ninguna de estas opciones, llame al **800-223-7278** y le dirigirán al Centro de Servicio de Fábrica Porter-Cable•Delta más cercano.

CANADIAN PORTER-CABLE • DELTA SERVICE CENTERS

ALBERTA

Bay 6, 2520-23rd St. N.E.
Calgary, Alberta
T2E 8L2
Phone: (403) 735-6166
Fax: (403) 735-6144

BRITISH COLUMBIA

8520 Baxter Place
Burnaby, B.C.
V5A 4T8
Phone: (604) 420-0102
Fax: (604) 420-3522

MANITOBA

1699 Dublin Avenue
Winnipeg, Manitoba
R3H 0H2
Phone: (204) 633-9259
Fax: (204) 632-1976

ONTARIO

505 Southgate Drive
Guelph, Ontario
N1H 6M7
Phone: (519) 767-4132
Fax: (519) 767-4131

QUÉBEC

1515 ave.
St-Jean Baptiste, Suite 160
Québec, Québec
G2E 5E2
Phone: (418) 877-7112
Fax: (418) 877-7123

1447, Begin
St-Laurent, (Montréal),
Québec
H4R 1V8
Phone: (514) 336-8772
Fax: (514) 336-3505

The following are trademarks of PORTER-CABLE • DELTA (Las siguientes son marcas registradas de PORTER-CABLE • DELTA S.A.) (Les marques suivantes sont des marques de fabricant de la PORTER-CABLE • DELTA): Auto-Set®, BAMMER®, B.O.S.S.®, Builder's Saw®, Contractor's Saw®, Contractor's Saw II™, Delta®, DELTACRAFT®, DELTAGRAM™, Delta Series 2000™, DURATRONIC™, Emc²™, FLEX®, Flying Chips™, FRAME SAW®, Grip Vac™, Homecraft®, INNOVATION THAT WORKS®, Jet-Lock®, JETSTREAM®, 'kickstand®, LASERLOC®, MICRO-SET®, Micro-Set®, MIDI LATHE®, MORTEN™, NETWORK™, OMNIJIG®, POCKET CUTTER®, PORTA-BAND®, PORTA-PLANE®, PORTER-CABLE®&(design), PORTER-CABLE®PROFESSIONAL POWER TOOLS, PORTER-CABLE REDEFINING PERFORMANCE™, Posi-Matic®, Q-3®&(design), QUICKSAND®&(design), QUICKSET™, QUICKSET II®, QUICKSET PLUS™, RIPTIDE™&(design), SAFE GUARD II®, SAFE-LOC®, Sanding Center®, SANDTRAP®&(design), SAW BOSS®, Sawbuck™, Sidekick®, SPEED-BLOC®, SPEEDMATIC®, SPEEDTRONIC®, STAIR EASE®, The American Woodshop®&(design), The Lumber Company®&(design), THE PROFESSIONAL EDGE®, THE PROFESSIONAL SELECT®, THIN-LINE™, TIGER®, TIGER CUB®, TIGER SAW®, TORQBUSTER®, TORQ-BUSTER®, TRU-MATCH™, TWIN-LITE®, UNIGUARD®, Unifence®, UNIFEEDER™, Unihead®, Uniplane™, Unirip®, Unisaw®, Univise®, Versa-Feeder®, VERSA-PLANE®, WHISPER SERIES®, WOODWORKER'S CHOICE™.

Trademarks noted with ™ and ® are registered in the United States Patent and Trademark Office and may also be registered in other countries. Las Marcas Registradas con el signo de ™ y ® son registradas por la Oficina de Registros y Patentes de los Estados Unidos y también pueden estar registradas en otros países.

PC7.2-0105-149

Free Manuals Download Website

<http://myh66.com>

<http://usermanuals.us>

<http://www.somanuals.com>

<http://www.4manuals.cc>

<http://www.manual-lib.com>

<http://www.404manual.com>

<http://www.luxmanual.com>

<http://aubethermostatmanual.com>

Golf course search by state

<http://golfingnear.com>

Email search by domain

<http://emailbydomain.com>

Auto manuals search

<http://auto.somanuals.com>

TV manuals search

<http://tv.somanuals.com>