

Note: Rockler may not carry all products and/or sizes listed in this vendor's publication

# 12" Bench Drill Press (w/Laser Guides) (Model DP300L)



21450

RTD10000255AA

PART NO. A14210-10-27-05 Rev. B  
Copyright © 2005 Delta Machinery

INSTRUCTION MANUAL

To learn more about DELTA MACHINERY  
visit our website at: [www.deltamachinery.com](http://www.deltamachinery.com).  
For Parts, Service, Warranty or other Assistance,

ESPAÑOL: PÁGINA 21  
FRANÇAISE : PAGE 41

please call **1-800-223-7278** (In Canada call **1-800-463-3582**).

Download from [www.Somanuals.com](http://www.Somanuals.com). All Manuals Search And Download.

# TABLE OF CONTENTS

IMPORTANT SAFETY INSTRUCTIONS .....	2
SAFETY GUIDELINES - DEFINITIONS .....	3
TOOL WARNING LABEL .....	3
GENERAL SAFETY RULES .....	4
ADDITIONAL SPECIFIC SAFETY RULES .....	5
ADDITIONAL SAFETY RULES FOR THE LASER .....	6
FUNCTIONAL DESCRIPTION .....	8
CARTON CONTENTS .....	9
ASSEMBLY .....	10
OPERATION .....	14
MAINTENANCE .....	20
SERVICE .....	20
ACCESSORIES .....	20
WARRANTY .....	20

## IMPORTANT SAFETY INSTRUCTIONS

**⚠ WARNING** Read and understand all warnings and operating instructions before using any tool or equipment. When using tools or equipment, basic safety precautions should always be followed to reduce the risk of personal injury. Improper operation, maintenance or modification of tools or equipment could result in serious injury and property damage. There are certain applications for which tools and equipment are designed. Delta Machinery strongly recommends that this product NOT be modified and/or used for any application other than for which it was designed.

If you have any questions relative to its application DO NOT use the product until you have written Delta Machinery and we have advised you.

Online contact form at [www.deltamachinery.com](http://www.deltamachinery.com)

Postal Mail: Technical Service Manager  
Delta Machinery  
4825 Highway 45 North  
Jackson, TN 38305  
(IN CANADA: 125 Mural St. Suite 300, Richmond Hill, ON, L4B 1M4)

Information regarding the safe and proper operation of this tool is available from the following sources:

Power Tool Institute  
1300 Sumner Avenue, Cleveland, OH 44115-2851  
[www.powertoolinstitute.org](http://www.powertoolinstitute.org)

National Safety Council  
1121 Spring Lake Drive, Itasca, IL 60143-3201

American National Standards Institute, 25 West 43rd Street, 4 floor, New York, NY 10036 [www.ansi.org](http://www.ansi.org)  
ANSI 01.1 Safety Requirements for Woodworking Machines, and the U.S. Department of Labor regulations [www.osha.gov](http://www.osha.gov)

**SAVE THESE INSTRUCTIONS!**

# SAFETY GUIDELINES - DEFINITIONS

It is important for you to read and understand this manual. The information it contains relates to protecting YOUR SAFETY and PREVENTING PROBLEMS. The symbols below are used to help you recognize this information.



- ⚠ DANGER** Indicates an imminently hazardous situation which, if not avoided, will result in death or serious injury.
- ⚠ WARNING** Indicates a potentially hazardous situation which, if not avoided, could result in death or serious injury.
- ⚠ CAUTION** Indicates a potentially hazardous situation which, if not avoided, may result in minor or moderate injury.
- CAUTION** Used without the safety alert symbol indicates potentially hazardous situation which, if not avoided, may result in property damage.

## CALIFORNIA PROPOSITION 65

**⚠ WARNING** Some dust created by power sanding, sawing, grinding, drilling, and other construction activities contains chemicals known to cause cancer, birth defects or other reproductive harm. Some examples of these chemicals are:

- lead from lead-based paints,
- crystalline silica from bricks and cement and other masonry products, and
- arsenic and chromium from chemically-treated lumber.

Your risk from these exposures varies, depending on how often you do this type of work. To reduce your exposure to these chemicals: work in a well ventilated area, and work with approved safety equipment, always wear NIOSH/OSHA approved, properly fitting face mask or respirator when using such tools.

## TOOL WARNING LABELS

⚠ WARNING	⚠ ADVERTENCIA	⚠ AVERTISSEMENT
<p><b>FOR YOUR OWN SAFETY. READ AND UNDERSTAND INSTRUCTION MANUAL BEFORE OPERATING DRILL PRESS. ALWAYS WEAR EYE PROTECTION AND WEAR PROPER RESPIRATORY PROTECTION. DO NOT WEAR GLOVES, NECKTIES, JEWELRY OR LOOSE CLOTHING. ALWAYS CLAMP WORKPIECE OR BRACE IT AGAINST COLUMN TO PREVENT ROTATION. KEEP HANDS AWAY FROM ROTATING BIT OR ACCESSORY. USE RECOMMENDED SPEED FOR THE DRILL AND WORKPIECE MATERIAL. BE SURE DRILL BIT OR CUTTING TOOL IS NOT DAMAGED AND PROPERLY LOCKED IN THE CHUCK BEFORE OPERATING. MAKE CERTAIN CHUCK KEY IS REMOVED BEFORE STARTING DRILL PRESS. DISCONNECT MACHINE FROM POWER SOURCE BEFORE MAKING REPAIRS OR ADJUSTMENTS. DO NOT EXPOSE TO RAIN OR USE IN DAMP LOCATIONS.</b></p>	<p><b>POR SU PROPIA SEGURIDAD. LEA Y COMPRENDA EL MANUAL DE INSTRUCCIONES ANTES DE UTILIZAR LA PRENSA DE TALADRO. SIEMPRE UTILICE PROTECCIÓN PARA LOS OJOS Y PROTECCIÓN APROPIADA PARA LA RESPIRACIÓN. NO USE GUANTES, CORBATAS, JOYAS NI ROPA HOLGADA. SIEMPRE SUJETE LA PIEZA DE TRABAJO CON ABRAZADERAS O AMÁRRELA CONTRA LA COLUMNA PARA EVITAR LA ROTACIÓN. MANTENGA LAS MANOS LEJOS DE LA BROCA O ACCESORIOS GIRATORIOS. USE LA VELOCIDAD RECOMENDADA PARA EL TALADRO Y EL MATERIAL DE LA PIEZA DE TRABAJO. ASEGÚRESE DE QUE LA BROCA DEL TALADRO O LA HERRAMIENTA DE CORTE NO ESTÉN DAÑADAS Y DE QUE ESTÉN CORRECTAMENTE BLOQUEADAS EN EL PORTABROCAS ANTES DE SU OPERACIÓN. ASEGÚRESE DE RETIRAR LA LLAVE DE PORTABROCAS ANTES DE ENCENDER LA PRENSA DE TALADRO. DESCONECTE LA MÁQUINA DE LA FUENTE DE ALIMENTACIÓN ANTES DE REALIZAR REPARACIONES O AJUSTES. NO EXPONGA A LA LLUVIA NI UTILICE EN LUGARES HUMEDOS.</b></p>	<p><b>POUR VOTRE PROPRE SÉCURITÉ. BIEN LIRE ET COMPRENDRE LE MODE D'EMPLOI AVANT D'UTILISER LA PERCEUSE À COLONNE. TOUJOURS PORTER UNE PROTECTION OCULAIRE ET DES ARTICLES DE PROTECTION DES VOIES RESPIRATOIRES APPROPRIÉS. NE PAS PORTER DE GANTS, CRAVATES, BIJOUX OU VÊTEMENTS AMPLES. TOUJOURS FIXER LA PIÈCE OU BIEN LA CALER CONTRE LA COLONNE POUR EMPÊCHER UNE ROTATION. TENIR VOS MAINS ÉLOIGNÉES DE LA MÈCHE ROTATIVE OU ACCESSOIRE. UTILISER LA VITESSE RECOMMANDÉE POUR LA PERCEUSE ET LE MATÉRIEL DE LA PIÈCE À PERCER. S'ASSURER QUE LA MÈCHE OU L'ORGANE DE COUPE N'EST PAS ENDOMMAGÉ ET QU'IL EST BIEN VERROUILLÉ DANS LE MANDRIN AVANT SON UTILISATION. S'ASSURER DE RETIRER LA CLÉ DU MANDRIN AVANT DE DÉMARRER LA PERCEUSE DE COLONNE. DÉBRANCHER LA MACHINE DE LA SOURCE D'ALIMENTATION AVANT D'EFFECTUER DES RÉPARATIONS OU DES RÉGLAGES. NE PAS L'EXPOSER À LA PLUIE ET NE PAS L'UTILISER DANS UN ENDROIT HUMIDE.</b></p>
<p><b>⚠ WARNING</b> To reduce the risk of fire, use 40-watt or less Track Light Bulb.</p>	<p><b>⚠ ADVERTENCIA</b> Para reducir el riesgo de incendio, use bombillas de luz en riel de 40 vatios o menos.</p>	<p><b>⚠ AVERTISSEMENT</b> Pour réduire le risque d'incendie, utiliser une ampoule incandescente de 40 watts ou moins.</p>

A14283

# GENERAL SAFETY RULES



**⚠ WARNING** READ AND UNDERSTAND ALL WARNINGS AND OPERATING INSTRUCTIONS BEFORE USING THIS EQUIPMENT. Failure to follow all instructions listed below, may result in electric shock, fire, and/or serious personal injury or property damage.

## IMPORTANT SAFETY INSTRUCTIONS

- FOR YOUR OWN SAFETY, READ THE INSTRUCTION MANUAL BEFORE OPERATING THE MACHINE.** Learning the machine's application, limitations, and specific hazards will greatly minimize the possibility of accidents and injury.
- WEAR EYE AND HEARING PROTECTION. ALWAYS USE SAFETY GLASSES.** Everyday eyeglasses are NOT safety glasses. USE CERTIFIED SAFETY EQUIPMENT. Eye protection equipment should comply with ANSI Z87.1 standards. Hearing equipment should comply with ANSI S3.19 standards.
- WEAR PROPER APPAREL.** Do not wear loose clothing, gloves, neckties, rings, bracelets, or other jewelry which may get caught in moving parts. Nonslip protective footwear is recommended. Wear protective hair covering to contain long hair.
- DO NOT USE THE MACHINE IN A DANGEROUS ENVIRONMENT.** The use of power tools in damp or wet locations or in rain can cause shock or electrocution. Keep your work area well-lit to prevent tripping or placing arms, hands, and fingers in danger.
- MAINTAIN ALL TOOLS AND MACHINES IN PEAK CONDITION.** Keep tools sharp and clean for best and safest performance. Follow instructions for lubricating and changing accessories. Poorly maintained tools and machines can further damage the tool or machine and/or cause injury.
- CHECK FOR DAMAGED PARTS.** Before using the machine, check for any damaged parts. Check for alignment of moving parts, binding of moving parts, breakage of parts, and any other conditions that may affect its operation. A guard or any other part that is damaged **should be properly repaired or replaced with Delta or factory authorized replacement parts.** Damaged parts can cause further damage to the machine and/or injury.
- KEEP THE WORK AREA CLEAN.** Cluttered areas and benches invite accidents.
- KEEP CHILDREN AND VISITORS AWAY.** Your shop is a potentially dangerous environment. Children and visitors can be injured.
- REDUCE THE RISK OF UNINTENTIONAL STARTING.** Make sure that the switch is in the "OFF" position before plugging in the power cord. In the event of a power failure, move the switch to the "OFF" position. An accidental start-up can cause injury. Do not touch the plug's metal prongs when unplugging or plugging in the cord.
- USE THE GUARDS.** Check to see that all guards are in place, secured, and working correctly to prevent injury.
- REMOVE ADJUSTING KEYS AND WRENCHES BEFORE STARTING THE MACHINE.** Tools, scrap pieces, and other debris can be thrown at high speed, causing injury.
- USE THE RIGHT MACHINE.** Don't force a machine or an attachment to do a job for which it was not designed. Damage to the machine and/or injury may result.
- USE RECOMMENDED ACCESSORIES.** The use of accessories and attachments not recommended by Delta may cause damage to the machine or injury to the user.
- USE THE PROPER EXTENSION CORD.** Make sure your extension cord is in good condition. When using an extension cord, be sure to use one heavy enough to carry the current your product will draw. An undersized cord will cause a drop in line voltage, resulting in loss of power and overheating. See the Extension Cord Chart for the correct size depending on the cord length and nameplate ampere rating. If in doubt, use the next heavier gauge. The smaller the gauge number, the heavier the cord.
- SECURE THE WORKPIECE.** Use clamps or a vise to hold the workpiece when practical. Loss of control of a workpiece can cause injury.
- FEED THE WORKPIECE AGAINST THE DIRECTION OF THE ROTATION OF THE BLADE, CUTTER, OR ABRASIVE SURFACE.** Feeding it from the other direction will cause the workpiece to be thrown out at high speed.
- DON'T FORCE THE WORKPIECE ON THE MACHINE.** Damage to the machine and/or injury may result.
- DON'T OVERREACH.** Loss of balance can make you fall into a working machine, causing injury.
- NEVER STAND ON THE MACHINE.** Injury could occur if the tool tips, or if you accidentally contact the cutting tool.
- NEVER LEAVE THE MACHINE RUNNING UNATTENDED. TURN THE POWER OFF.** Don't leave the machine until it comes to a complete stop. A child or visitor could be injured.
- TURN THE MACHINE "OFF", AND DISCONNECT THE MACHINE FROM THE POWER SOURCE** before installing or removing accessories, changing cutters, adjusting or changing set-ups. When making repairs, be sure to lock the start switch in the "OFF" position. An accidental start-up can cause injury.
- MAKE YOUR WORKSHOP CHILDPROOF WITH PADLOCKS, MASTER SWITCHES, OR BY REMOVING STARTER KEYS.** The accidental start-up of a machine by a child or visitor could cause injury.
- STAY ALERT, WATCH WHAT YOU ARE DOING, AND USE COMMON SENSE. DO NOT USE THE MACHINE WHEN YOU ARE TIRED OR UNDER THE INFLUENCE OF DRUGS, ALCOHOL, OR MEDICATION.** A moment of inattention while operating power tools may result in injury.
- ⚠ WARNING** USE OF THIS TOOL CAN GENERATE AND DISBURSE DUST OR OTHER AIRBORNE PARTICLES, INCLUDING WOOD DUST, CRYSTALLINE SILICA DUST AND ASBESTOS DUST. Direct particles away from face and body. Always operate tool in well ventilated area and provide for proper dust removal. Use dust collection system wherever possible. Exposure to the dust may cause serious and permanent respiratory or other injury, including silicosis (a serious lung disease), cancer, and death. Avoid breathing the dust, and avoid prolonged contact with dust. Allowing dust to get into your mouth or eyes, or lay on your skin may promote absorption of harmful material. Always use properly fitting NIOSH/OSHA approved respiratory protection appropriate for the dust exposure, and wash exposed areas with soap and water.

# ADDITIONAL SPECIFIC SAFETY RULES

**⚠ WARNING** FAILURE TO FOLLOW THESE RULES MAY RESULT IN SERIOUS INJURY.

1. **DO NOT OPERATE THIS MACHINE** until it is completely assembled and installed according to the instructions. A machine incorrectly assembled can cause serious injury.
2. **OBTAIN ADVICE** from your supervisor, instructor, or another qualified person if you are not thoroughly familiar with the operation of this machine. Knowledge is safety.
3. **FOLLOW ALL WIRING CODES** and recommended electrical connections to prevent shock or electrocution.
4. **SECURE THE MACHINE TO A SUPPORTING SUR-FACE.** Vibration can cause the machine to slide, walk, or tip over.
5. **NEVER START THE MACHINE BEFORE CLEARING THE TABLE OF ALL OBJECTS** (tools, scrap pieces, etc.). Debris can be thrown at high speed.
6. **NEVER START THE MACHINE** with the drill bit, cutting tool, or sanding drum against the workpiece. Loss of control of the workpiece can cause serious injury.
7. **PROPERLY LOCK THE DRILL BIT, CUTTING TOOL, OR SANDING DRUM IN THE CHUCK** before operating this machine.
8. **REMOVE THE CHUCK KEY BEFORE STARTING THE MACHINE.** The chuck key can be thrown out at a high speed.
9. **TIGHTEN ALL LOCK HANDLES** before starting the machine. Loss of control of the workpiece can cause serious injury.
10. **USE ONLY DRILL BITS, CUTTING TOOLS, SANDING DRUMS, OR OTHER ACCESSORIES** with shank size recommended in your instruction manual. The wrong size accessory can cause damage to the machine and/or serious injury.
11. **USE ONLY DRILL BITS, CUTTING TOOLS, OR SANDING DRUMS** that are not damaged. Damaged items can cause malfunctions that lead to injuries.
12. **USE RECOMMENDED SPEEDS** for all operations. Other speeds may cause the machine to malfunction causing damage to the machine and/or serious injury.
13. **AVOID AWKWARD OPERATIONS AND HAND POSITIONS.** A sudden slip could cause a hand to move into the bit.
14. **KEEP ARMS, HANDS, AND FINGERS** away from the bit. Serious injury to the hand can occur.
15. **HOLD THE WORKPIECE FIRMLY AGAINST THE TABLE.** Do not attempt to drill a workpiece that does not have a flat surface against the table, or that is not secured by a vise. Prevent the workpiece from rotating by clamping it to the table or by securing it against the drill press column. Loss of control of the workpiece can cause serious injury.
16. **TURN THE MACHINE "OFF" AND WAIT FOR THE DRILL BIT, CUTTING TOOL, OR SANDING DRUM TO STOP TURNING** prior to cleaning the work area, removing debris, removing or securing work-piece, or changing the angle of the table. A moving drill bit, cutting tool, or sanding drum can cause serious injury.
17. **PROPERLY SUPPORT LONG OR WIDE** work-pieces. Loss of control of the workpiece can cause severe injury.
18. **NEVER PERFORM LAYOUT, ASSEMBLY OR SET-UP WORK** on the table/work area when the machine is running. Serious injury can result.
19. **TURN THE MACHINE "OFF"**, disconnect the machine from the power source, and clean the table/work area before leaving the machine. **LOCK THE SWITCH IN THE "OFF" POSITION** to prevent unauthorized use. Someone else might accidentally start the machine and cause serious injury to themselves.
20. **ADDITIONAL INFORMATION** regarding the safe and proper operation of power tools (i.e. a safety video) is available from the Power Tool Institute, 1300 Sumner Avenue, Cleveland, OH 44115-2851 ([www.powertoolinstitute.com](http://www.powertoolinstitute.com)). Information is also available from the National Safety Council, 1121 Spring Lake Drive, Itasca, IL 60143-3201. Please refer to the American National Standards Institute ANSI O1.1 Safety Requirements for Woodworking Machines and the U.S. Department of Labor OSHA 1910.213 Regulations.

## SAVE THESE INSTRUCTIONS.

Refer to them often

and use them to instruct others.

# ADDITIONAL SAFETY RULES FOR THE LASER

**⚠ DANGER** FAILURE TO FOLLOW THESE RULES MAY RESULT IN SERIOUS INJURY.

**⚠ DANGER** EYE INJURY - LASER LIGHT

- \* Do not stare into beam aperture, or into a reflection from a mirror-like surface
- \* Do not use optical tools such as a telescope or transit to view the laser beam

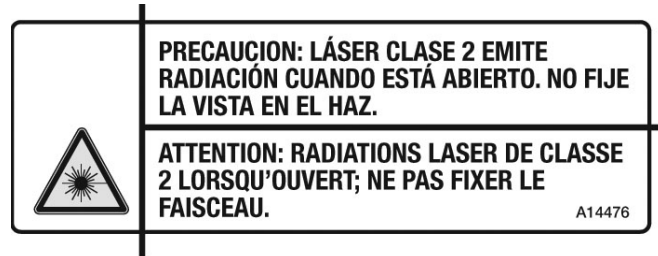
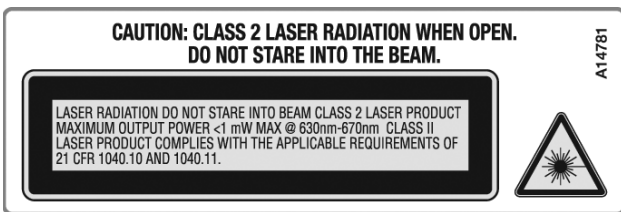
**⚠ WARNING** EYE INJURY - LASER LIGHT

- \* Do not operate the laser around children or allow children to operate the laser.
- \* Store idle laser out of reach of children and other untrained persons
- \* Turn the laser off when it is not in use
- \* Do not disassemble laser module. The class II laser output could be exceeded if the unit is disassembled. Laser complies with 21 CFR 1040.10 and 1040.11.

**⚠ WARNING** USE OF CONTROLS OR ADJUSTMENTS OR PERFORMANCE OF PROCEDURES OTHER THAN THOSE SPECIFIED HEREIN MAY RESULT IN HAZARDOUS RADIATION EXPOSURE.

**⚠ WARNING** EXPLOSION HAZARD. Do not operate the laser or drill press in explosive atmospheres such as in the presence of flammable liquids, gases, or dust. A spark could ignite the dust or fumes.

NOTE: Do not remove or deface warning labels.



## POWER CONNECTIONS

A separate electrical circuit should be used for your machines. This circuit should not be less than #12 wire and should be protected with a 20 Amp time lag fuse. If an extension cord is used, use only 3-wire extension cords which have 3-prong grounding type plugs and matching receptacle which will accept the machine's plug. Before connecting the machine to the power line, make sure the switch (s) is in the "OFF" position and be sure that the electric current is of the same characteristics as indicated on the machine. All line connections should make good contact. Running on low voltage will damage the machine.

**⚠ DANGER ELECTROCUTION HAZARD. DO NOT EXPOSE THE MACHINE TO RAIN OR OPERATE THE MACHINE IN DAMP LOCATIONS.**

## MOTOR SPECIFICATIONS

Your machine is wired for 120 Volts 60 HZ alternating current. Before connecting the machine to the power source, make sure the switch is in the "OFF" position.

## GROUNDING INSTRUCTIONS

**⚠ DANGER ELECTROCUTION HAZARD. THIS MACHINE MUST BE GROUNDED WHILE IN USE TO PROTECT THE OPERATOR FROM ELECTRIC SHOCK.**

### 1. All grounded, cord-connected machines:

In the event of a malfunction or breakdown, grounding provides a path of least resistance for electric current to reduce the risk of electric shock. This machine is equipped with an electric cord having an equipment-grounding conductor and a grounding plug. The plug must be plugged into a matching outlet that is properly installed and grounded in accordance with all local codes and ordinances.

Do not modify the plug provided - if it will not fit the outlet, have the proper outlet installed by a qualified electrician.

Improper connection of the equipment-grounding conductor can result in risk of electric shock. The conductor with insulation having an outer surface that is green with or without yellow stripes is the equipment-grounding conductor. If repair or replacement of the electric cord or plug is necessary, do not connect the equipment-grounding conductor to a live terminal.

Check with a qualified electrician or service personnel if the grounding instructions are not completely understood, or if in doubt as to whether the machine is properly grounded.

Use only 3-wire extension cords that have 3-prong grounding type plugs and matching 3-conductor receptacles that accept the machine's plug, as shown in Fig. A.

Repair or replace damaged or worn cord immediately.

### 2. Grounded, cord-connected machines intended for use on a supply circuit having a nominal rating less than 150 volts:

If the machine is intended for use on a circuit that has an outlet that looks like the one illustrated in Fig. A, the machine will have a grounding plug that looks like the plug illustrated in Fig. A. A temporary adapter, which looks like the adapter illustrated in Fig. B, may be used to connect this plug to a matching 2-conductor receptacle as shown in Fig. B if a properly grounded outlet is not available. The temporary adapter should be used only until a properly grounded outlet can be installed by a qualified electrician. The green-colored rigid ear, lug, and the like, extending from the adapter must be connected to a permanent ground such as a properly grounded outlet box. Whenever the adapter is used, it must be held in place with a metal screw.

**NOTE:** In Canada, the use of a temporary adapter is not permitted by the Canadian Electric Code.

**⚠ DANGER ELECTROCUTION HAZARD. IN ALL CASES, MAKE CERTAIN THAT THE RECEPTACLE IN QUESTION IS PROPERLY GROUNDED. IF YOU ARE NOT SURE, HAVE A QUALIFIED ELECTRICIAN CHECK THE RECEPTACLE.**

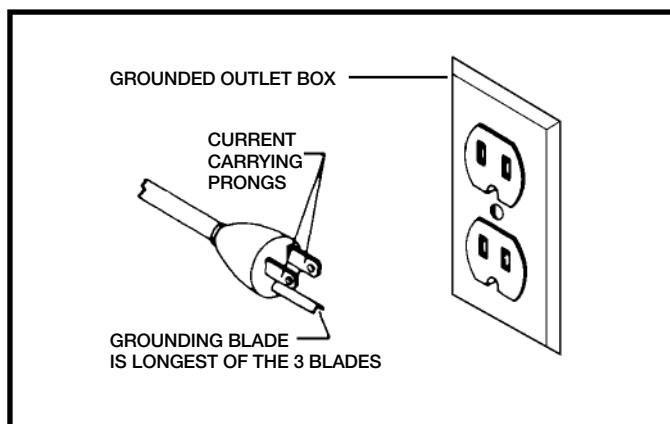


Fig. A

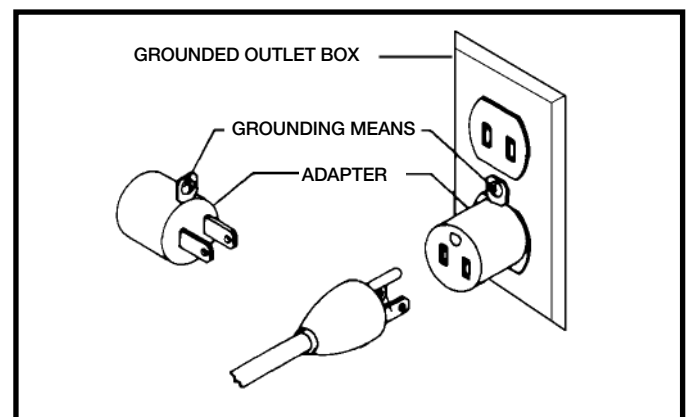


Fig. B

## EXTENSION CORDS

**⚠ WARNING** USE PROPER EXTENSION CORDS. MAKE SURE YOUR EXTENSION CORD IS IN GOOD CONDITION AND IS A 3-WIRE EXTENSION CORD WHICH HAS A 3-PRONG GROUNDING TYPE PLUG AND MATCHING RECEPTACLE WHICH WILL ACCEPT THE MACHINE'S PLUG. WHEN USING AN EXTENSION CORD, BE SURE TO USE ONE HEAVY ENOUGH TO CARRY THE CURRENT OF THE MACHINE. AN UNDERSIZED CORD WILL CAUSE A DROP IN LINE VOLTAGE, RESULTING IN LOSS OF POWER AND OVERHEATING. FIG. D-1 SHOWS THE CORRECT GAUGE TO USE DEPENDING ON THE CORD LENGTH. IF IN DOUBT, USE THE NEXT HEAVIER GAUGE. THE SMALLER THE GAUGE NUMBER, THE HEAVIER THE CORD.

MINIMUM GAUGE EXTENSION CORD			
RECOMMENDED SIZES FOR USE WITH STATIONARY ELECTRIC MACHINES			
Ampere Rating	Volts	Total Length of Cord in Feet	Gauge of Extension Cord
0-6	120	up to 25	18 AWG
		25-50	16 AWG
		50-100	16 AWG
		100-150	14 AWG
6-10	120	up to 25	18 AWG
		25-50	16 AWG
		50-100	14 AWG
		100-150	12 AWG
10-12	120	up to 25	16 AWG
		25-50	16 AWG
		50-100	14 AWG
		100-150	12 AWG
12-16	120	up to 25	14 AWG
		25-50	12 AWG
		GREATER THAN 50 FEET NOT RECOMMENDED	

Fig. D-1

## FUNCTIONAL DESCRIPTION

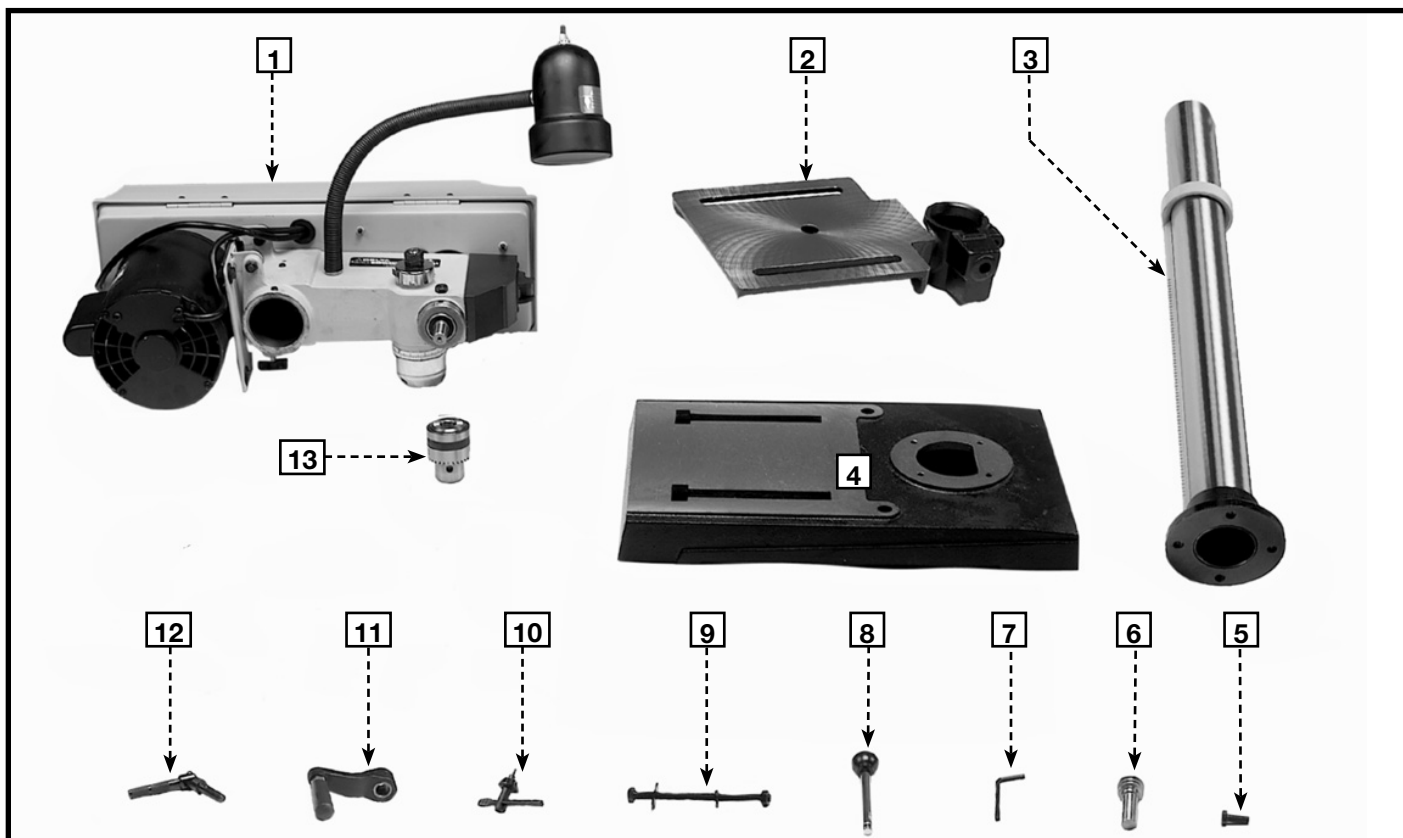
### FOREWORD

The Delta DP300L 12" Drill Press comes with a flexible work lamp, a laser guide for precise drilling and a utility tray for keeping tools within easy reach. This machine has a tilting table for angle drilling and side edges and parallel slots for fast workpiece clamping.

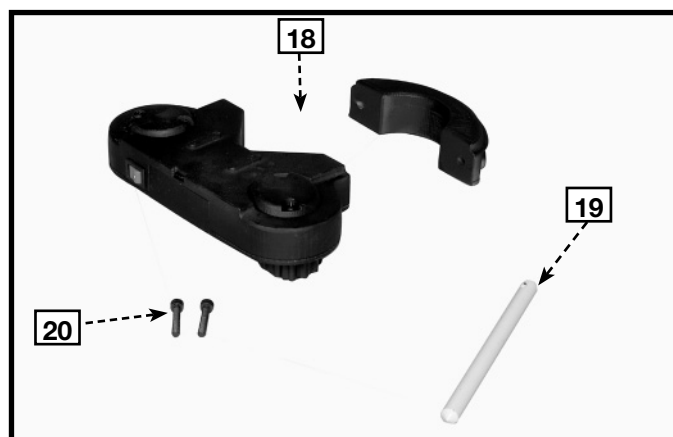
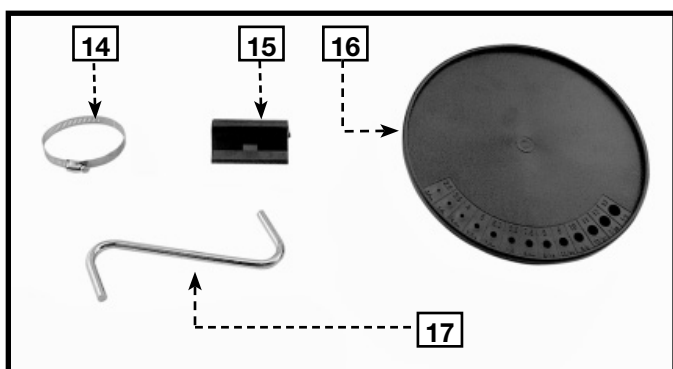
**NOTICE:** The photo on the manual cover illustrates the current production model. All other illustrations contained in the manual are representative only and may not depict the actual labeling or accessories included. These are intended to illustrate technique only.



# CARTON CONTENTS



1. Drill Press Head and Motor
2. Table
3. Column, Base Flange and Rack
4. Base
5. M8x1.25x25mm Hex Head Cap Screws (4)
6. Worm Gear for Table Raising and Lowering
7. Hex Wrenches (2)
8. Pinion Shaft Handles (3)
9. M8x1.25x125mm Carriage Head Screws (2), M8 Flat Washers (2), M8.1 Lock Washers (2), M8x1.25 Hex Nuts (2) (for fastening the base to a supporting surface)
10. Chuck Key
11. Table Raising and Lowering Handle
12. Table Clamp
13. Chuck



## UNPACKING AND CLEANING

Carefully unpack the machine and all loose items from the shipping container(s). Remove the rust-preventative oil from unpainted surfaces using a soft cloth moistened with mineral spirits, paint thinner or denatured alcohol.

**CAUTION** DO NOT USE HIGHLY VOLATILE SOLVENTS SUCH AS GASOLINE, NAPHTHA, ACETONE OR LACQUER THINNER FOR CLEANING YOUR MACHINE.

After cleaning, cover the unpainted surfaces with a good quality household floor paste wax.

# ASSEMBLY

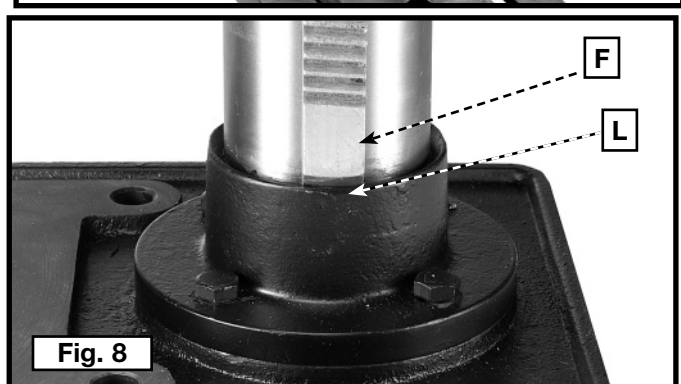
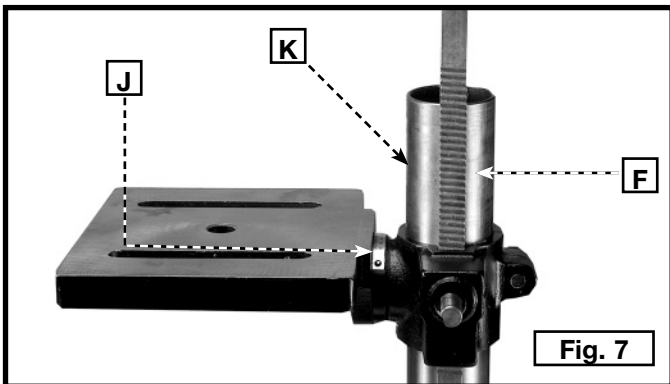
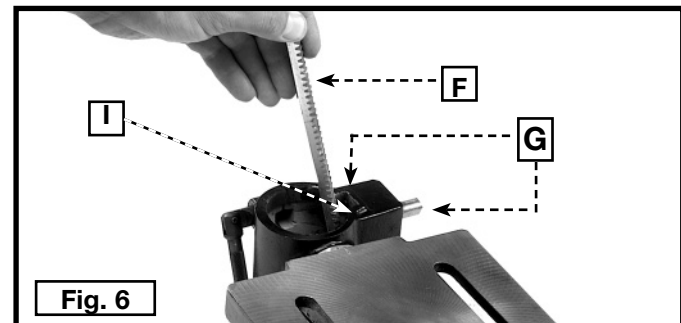
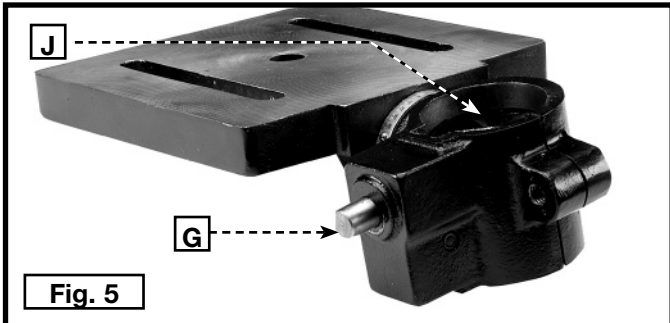
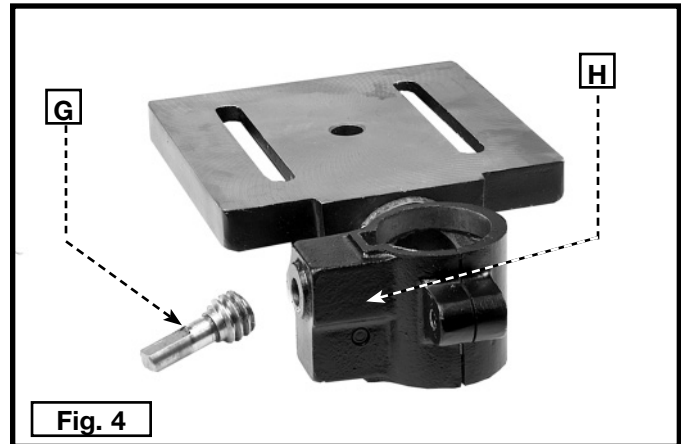
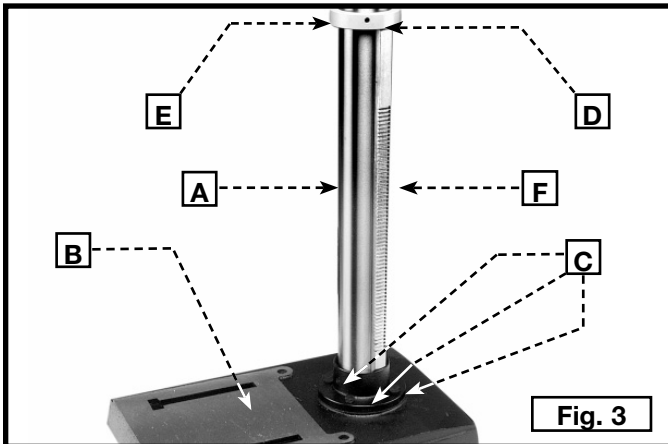
**⚠ WARNING** For your own safety, do not connect the machine to the power source until the machine is completely assembled and you read and understand the entire instruction manual.

## ASSEMBLY TOOLS REQUIRED

Hex Wrenches - (supplied)  
1/2 open end wrench - (not supplied)

## ASSEMBLY TIME ESTIMATE

Assembly for this machine takes approximately 15 to 30 minutes.

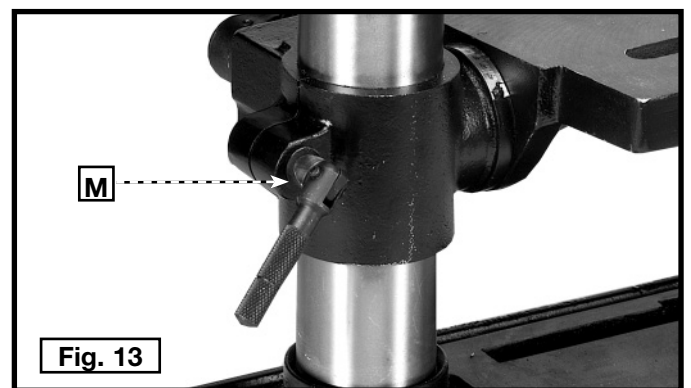
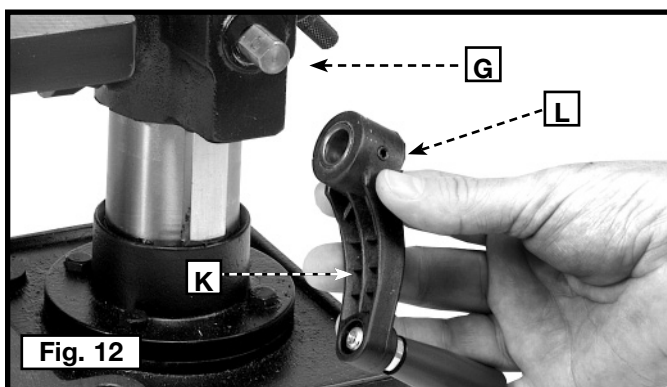
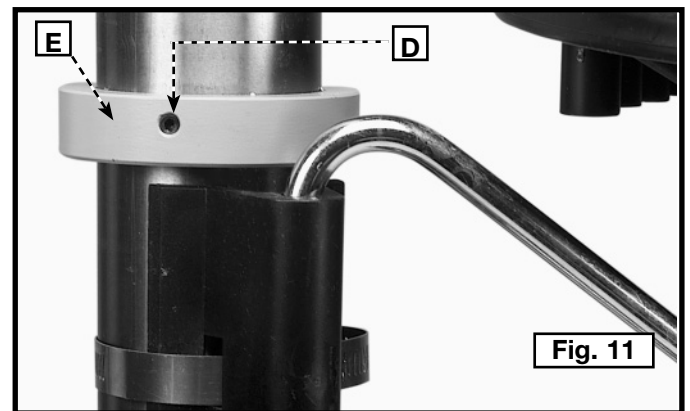
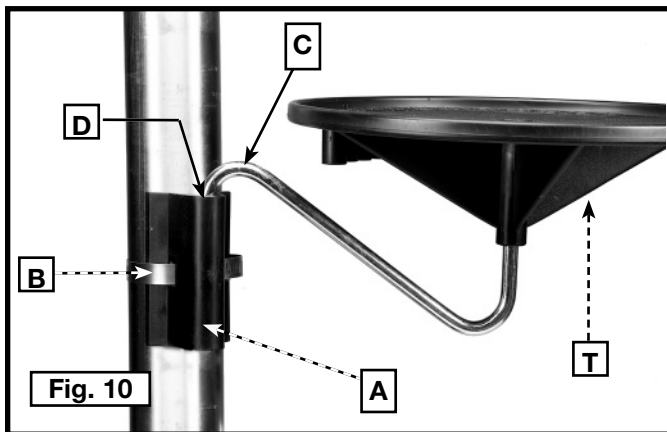
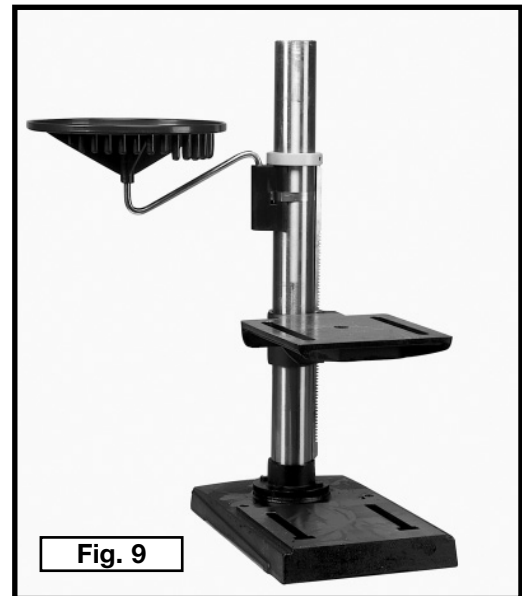


1. Attach the column (A) Fig. 3 to the base (B) using the four M8x1.25x25mm hex head screws (C), three of which are shown. Loosen the set screw (D) and remove the ring (E) and raising rack (F).
2. Place the worm gear (G) Fig. 4 in the table bracket (H).  
**NOTE:** Place the small end of the worm gear (G) Fig. 5 in the hole (J), then into the hole for the worm gear. The correct placement is shown in Fig. 5.
3. Insert the raising rack (F) Fig. 6 (removed in **STEP 1**) in the table bracket groove (I).  
**NOTE:** Place the teeth of the raising rack (F) in the teeth of the worm gear (G) located inside table bracket.
4. Slide the raising rack (F) Fig. 7 and the table with the table bracket (J) on the drill press column (K) Fig. 7.  
**NOTE:** Place the bottom of the raising rack (F) Fig. 8 inside the flange (L) on the drill press base.
5. Place the mounting bracket (A) Fig. 10 on the column.  
**NOTE:** Make sure the mounting bracket (A) Fig. 10 is on the opposite side of the column from the raising rack (F) Fig. 8.

6. Insert the clamp (B) Fig. 10 through the mounting bracket, under the raising rack, and around the column. Tighten the hose clamp securely.
7. Assemble the mounting arm (C) into the bracket hole (D) Fig. 10 and attach tray (T) to the mounting arm.
8. Be sure the bracket, mounting arm and raising rack are positioned in relation to the drill press table as shown in Fig. 9.
9. Install the ring (E) Fig. 11 (removed in **STEP 1**) on the column.

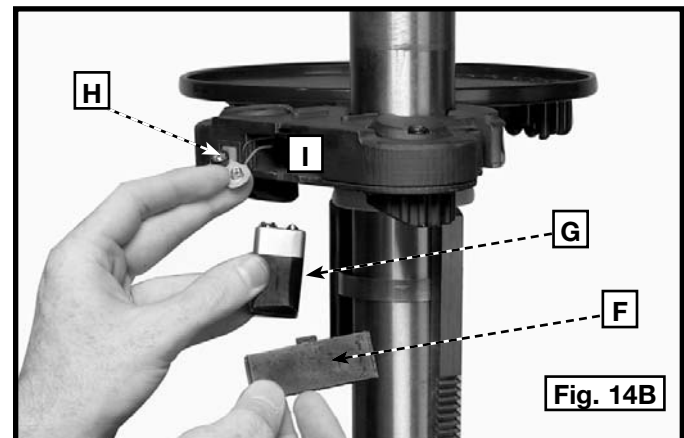
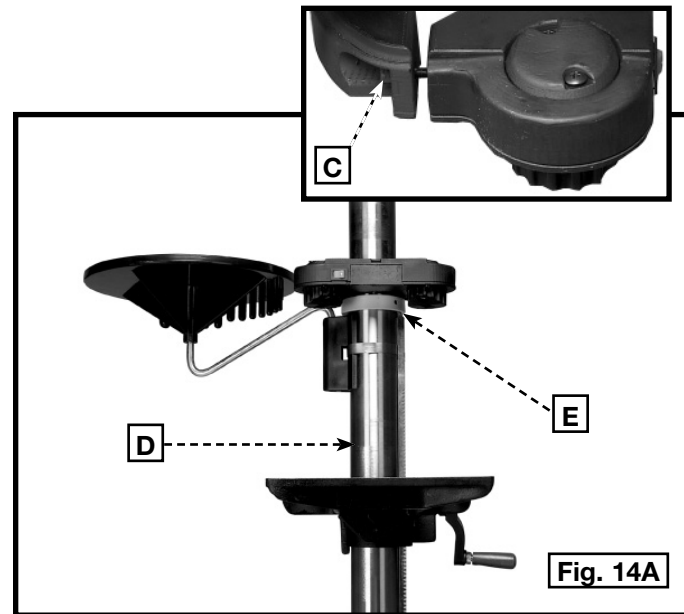
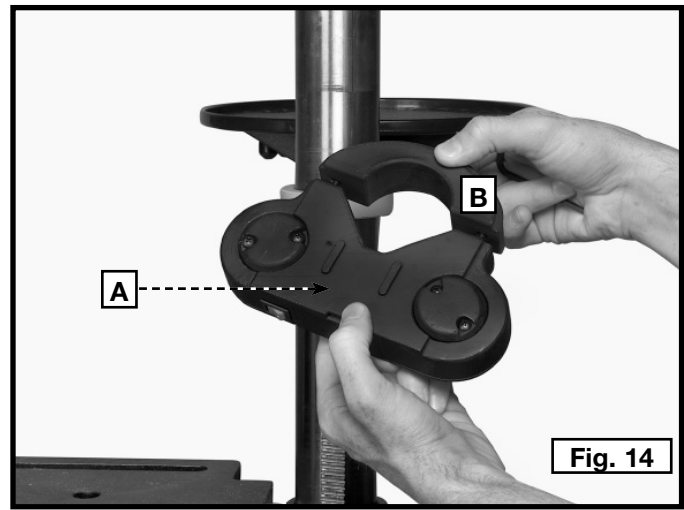
**IMPORTANT:** Place the raising rack under the bottom of the ring, but allow enough clearance so that the rack (F) can rotate around the column. Tighten the set screw (D) Fig. 11.

10. Attach the table raising and lowering handle (K) Fig. 12 on the worm gear shaft (G) and tighten the set screw (L) against the flat on the shaft.
11. Thread the stud of the clamp handle (M) Fig. 13 in the hole in the rear of the table bracket.



**⚠ WARNING EYE INJURY - LASER LIGHT. DO NOT STARE INTO THE LASER BEAM OR APERTURE OR INTO A REFLECTION FROM A MIRROR-LIKE SURFACE.**

12. Screw front laser housing (A) Fig. 14 to the rear laser housing (B) loosely using the two socket head cap screws (C) Fig. 14A inset included in laser packaging.
13. Place this laser housing assembly onto the drill press column (D) Fig. 14A and rest it on the collar (E) Fig. 14A.
14. Tighten the screws (C) Fig. 14A inset, making sure the laser housing is positioned so that one laser is to each side of the column (D), as shown in Fig 14A.
15. Remove battery cover (F) Fig. 14B from laser housing.
16. Connect a 9-volt battery (G) (not included) onto the battery terminal (H).
17. Place battery into the compartment (I) and replace the cover.



18. Seat the drill press head (N) Fig. 15 on the column (U). Align the head (A) Fig. 15A, with the table (B) and base (C). Tighten the two head locking screws (O) Fig. 15 with the supplied wrench.
19. Thread the three pinion shaft handles (P) Fig. 16 in the three tapped holes located in the pinion shaft (S).

**NOTE:** Make certain that the spindle taper (Q) Fig. 17 and the tapered hole in the chuck (R) are clean and free of grease, lacquer, or rust preventive coatings.

**NOTE:** Household oven cleaner can effectively remove any substance from the spindle and chuck. Carefully follow the manufacturer's safety rules concerning its use.

20. Open the chuck jaws as wide as possible by turning the chuck sleeve (N) Fig. 18. Hold the chuck on the taper of the spindle and tap with a rubber mallet (T) or a block of wood and hammer to set the chuck (Fig. 18).

**IMPORTANT:** To avoid damage to the chuck, **DO NOT** drive the chuck on the spindle with a metal hammer.

### FASTENING DRILL PRESS TO SUPPORTING SURFACE

If, during operation, the machine has a tendency to tip over, slide, or walk on the supporting surface, secure the machine base to the supporting surface with an M8x1.25x125mm carriage head screw, 8.5mm flat washer, 8.5mm lock washer, M8x1.25 hex nut through the two holes (A) Fig. 19 located in the machine base.

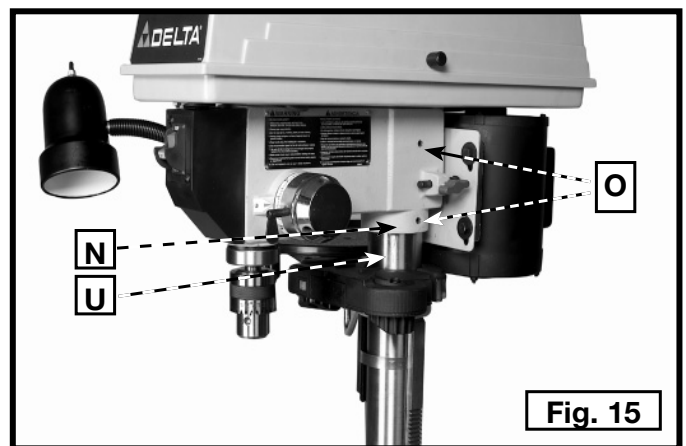


Fig. 15

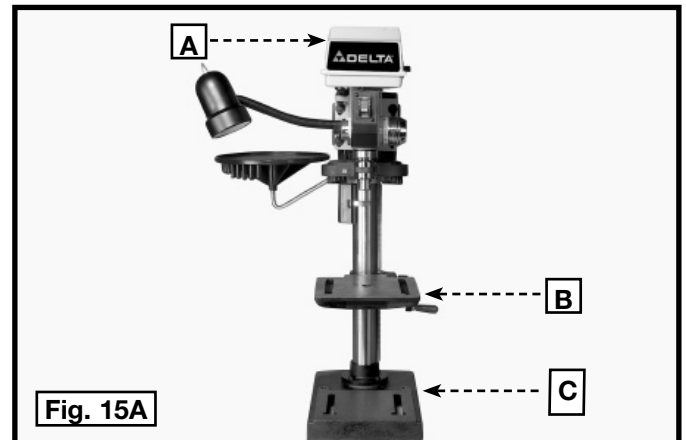


Fig. 15A

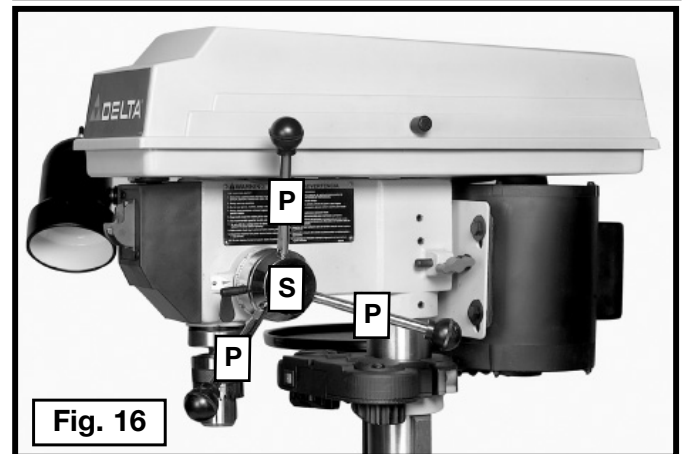


Fig. 16

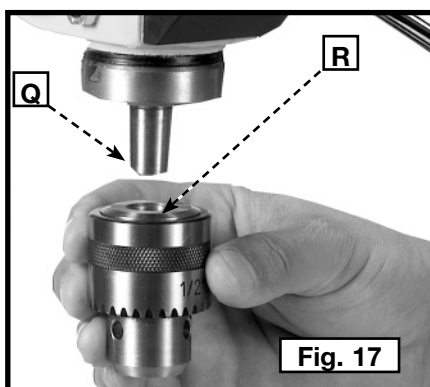


Fig. 17

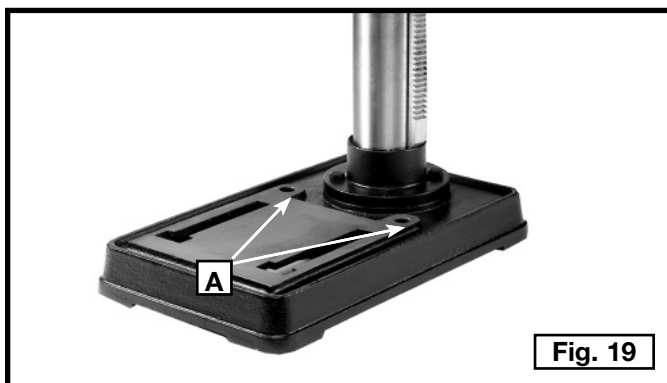


Fig. 19

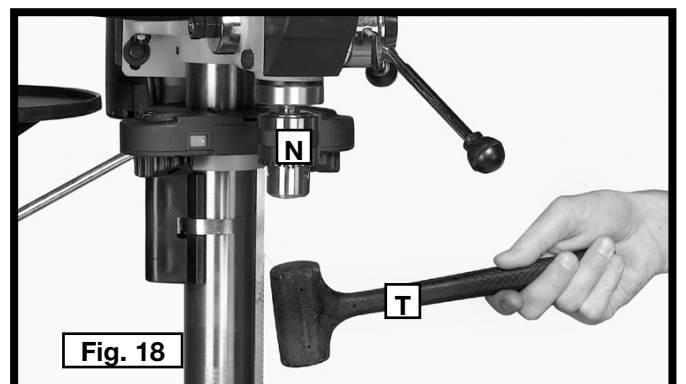


Fig. 18

# OPERATION

## OPERATIONAL CONTROLS AND ADJUSTMENTS

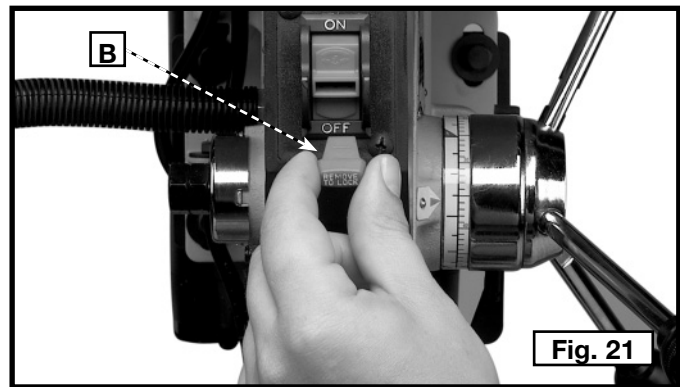
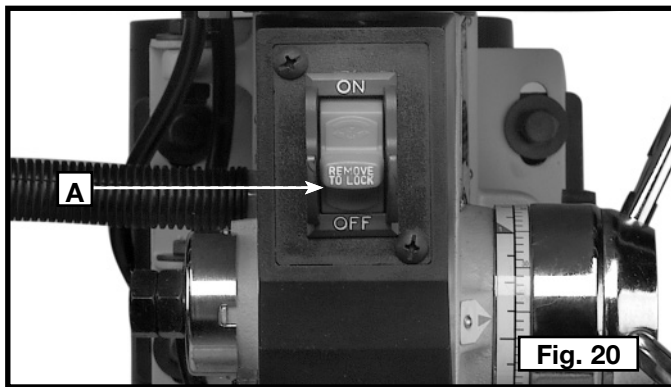
### STARTING AND STOPPING THE DRILL PRESS

1. The on/off switch (A) Fig. 20 is located on the front of the drill press head. To turn the machine "ON", move the switch up to the "ON" position.
2. To turn the machine "OFF", move the switch (A) down to the "OFF" position.

**⚠ WARNING** Make sure that the switch is in the "OFF" position before plugging in the power cord. In the event of a power failure, move the switch to the "OFF" position. An accidental start-up can cause injury.

### LOCKING SWITCH IN THE "OFF" POSITION

**IMPORTANT:** When the tool is not in use, the switch should be locked in the "OFF" position to prevent unauthorized use. To lock the machine, grasp the switch toggle (B) Fig. 21 and pull it out of the switch. With the switch toggle (B) removed, the switch will not operate. However, should the switch toggle be removed while the saw is running, the machine can be turned "OFF," but cannot be restarted without re-inserting the switch toggle (B).

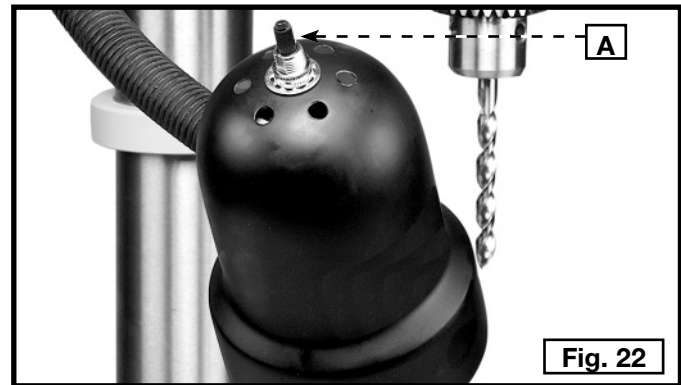


### FLEXIBLE LAMP

The flexible lamp operates independently of the drill press. To turn the lamp "ON" and "OFF", rotate switch (A) Fig. 22.

**⚠ WARNING**

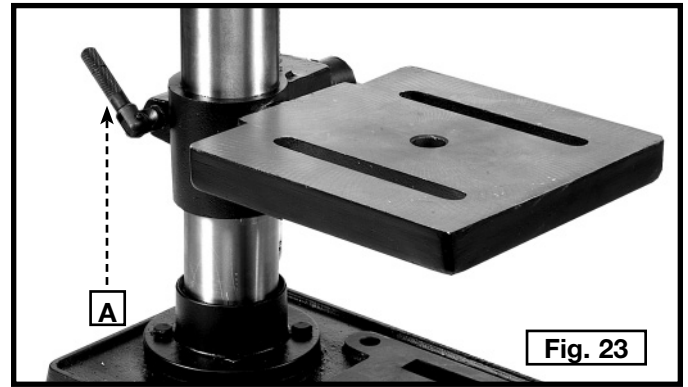
Fire Hazard. To reduce the risk of fire, use 40 watt or less, 120 volt, reflector track-type light bulb (not supplied). DO NOT use a standard household light bulb. The reflector track-type light bulb should not extend below the lamp shade.



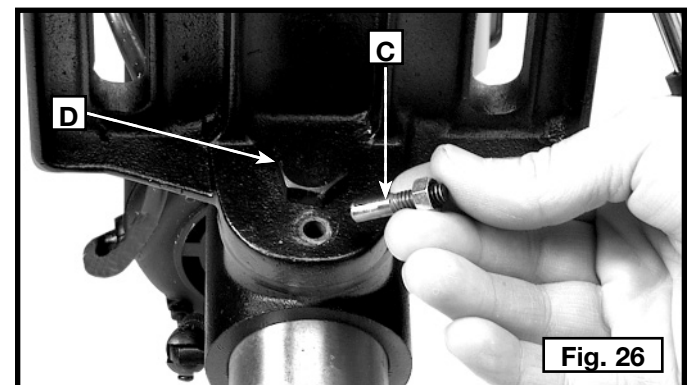
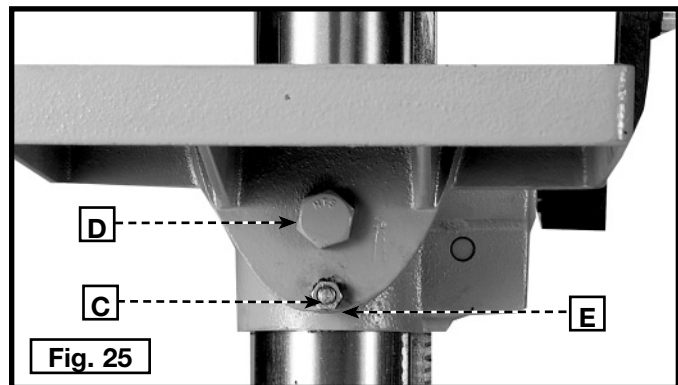
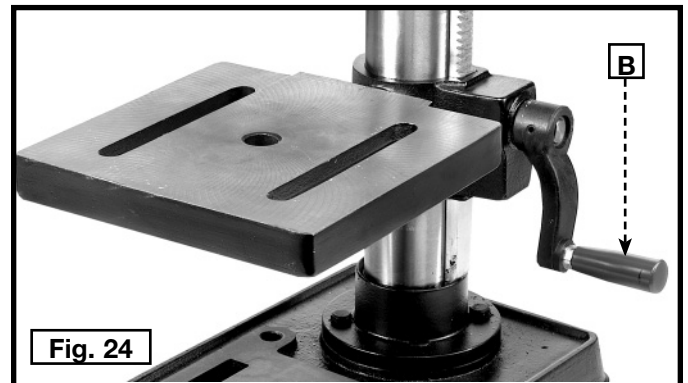
## TABLE ADJUSTMENTS

1. Raise or lower the table on the column by loosening the table clamp (A) Fig. 23, and turning the table raising and lowering handle (B) Fig. 24. After the table is at the desired height, tighten the clamp (A) Fig. 23.

**NOTE:** Always raise (rather than lower) the table to the final position to allow the gears to mesh and prevent slippage.



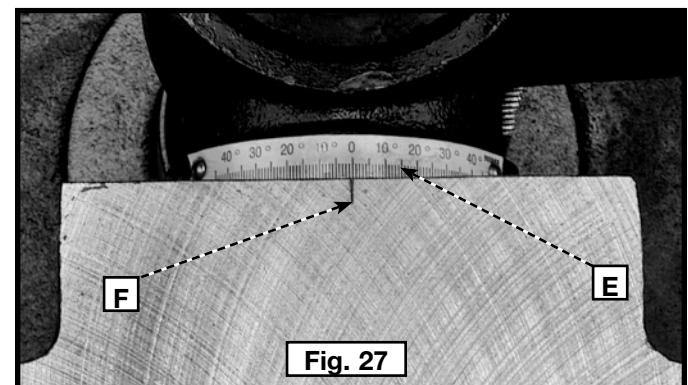
2. The table can be rotated 360 degrees on the column by loosening the clamp (A) Fig. 23, rotating the table to the desired position, and tightening the clamp (A).

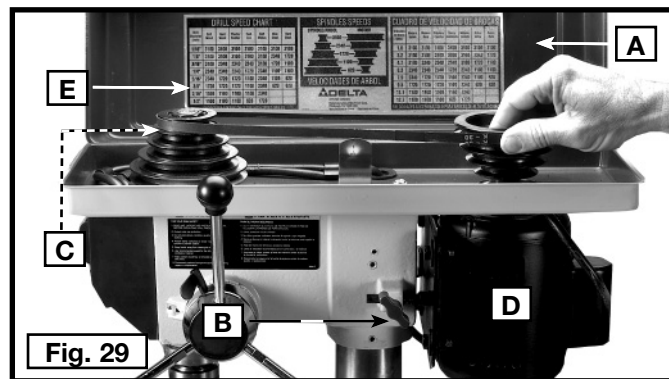
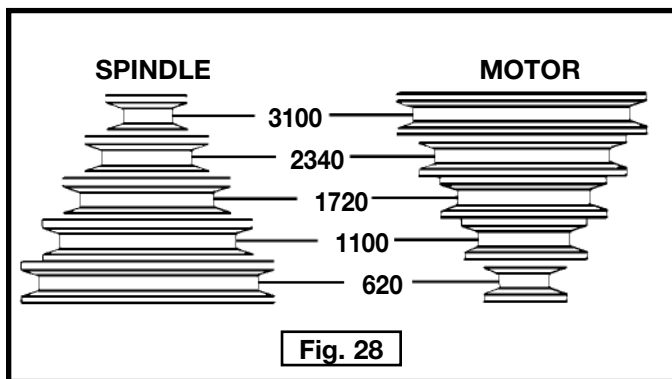


3. The table can be tilted right or left by removing the table alignment pin (C) Fig. 25.

**NOTE:** If the pin (C) is difficult to remove, turn the nut (E) clockwise to pull the pin out of the casting.

4. Loosen the table locking bolt (D) Fig. 26, tilt the table to the desired angle, and tighten the bolt (D). When you return the table to the level position, replace the table alignment pin (C) Fig. 25 to position the table surface 90 degrees to the spindle.
5. A tilt scale (E) Fig. 27 is provided on the table bracket casting to indicate the degree of tilt. A witness line and zero mark (F) are also provided on the table to align with the scale (E).





## SPINDLE SPEEDS

Five spindle speeds (620, 1100, 1720, 2340, and 3100 RPM) are available with your drill press. See the chart in Fig. 28 to select the correct belt placement for your project.

## CHANGING SPEEDS AND ADJUSTING BELT TENSION

**NOTE:** A belt-positioning speed chart (E) Fig. 29 is located on the inside top cover of the drill press.

**⚠ WARNING** Disconnect machine from power source.

1. Open the top cover (A) Fig. 29.
2. Loosen the tension lock knob (B) Fig. 29 to release belt tension. Pivot the motor (D) toward the front of the drill press.
3. Hold the motor in this position and place the belt (C) on your selected speeds according to the chart in Fig. 28.
4. Move the motor to the rear until the belt has proper tension.

**NOTE:** The belt should be just tight enough to prevent slipping. Excessive tension will reduce the life of the belt, pulleys and bearings. Correct tension is obtained when the belt (C) can be flexed about 1" out of line midway between the pulleys using light finger pressure.

5. Tighten the tension lock knob (B).

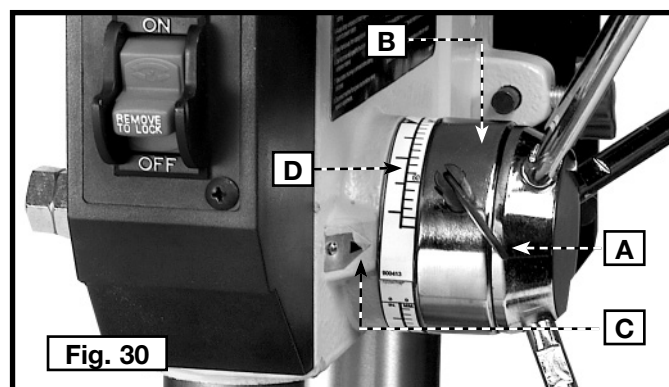
## DRILLING HOLES TO DEPTH

A depth stop is provided in the pinion shaft housing to allow you to drill any number of holes to the same depth. To use:

**⚠ WARNING** Disconnect machine from power source.

1. Insert the bit into the chuck.
2. Lower the spindle until the pointer (C) Fig. 30 aligns with your selected mark on the scale (D).
3. Tighten the lock screw (A).
4. Return the spindle to the up position.
5. Place the workpiece on the drill press table. Raise the drill press table until the workpiece touches the drill bit.
6. Drill a test hole to check the depth.

**NOTE:** Scale (D) is calibrated in both inches and millimeters.





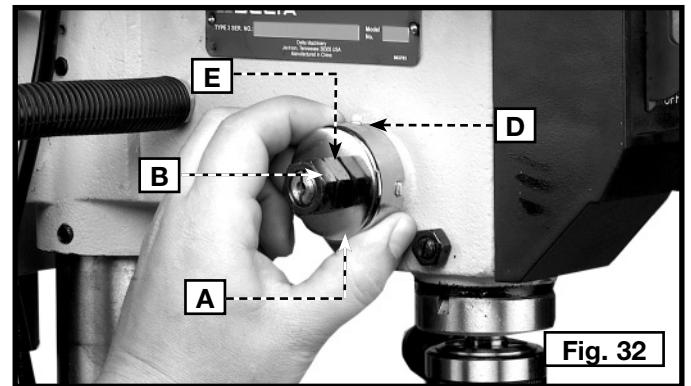
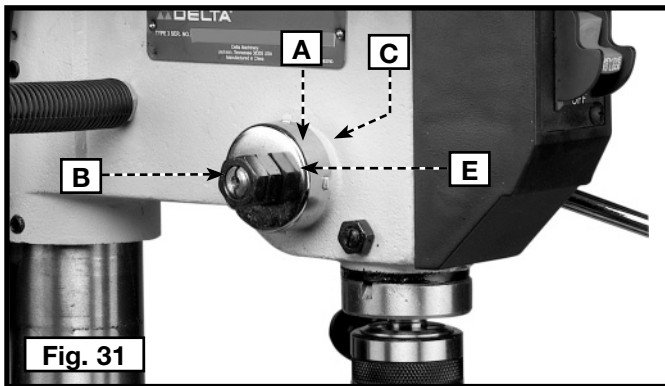
## ADJUSTING SPINDLE RETURN SPRING

The spindle will automatically return slowly to its upper position when the handle is released. The spindle return spring was properly adjusted at the factory. However, to adjust, if necessary:

**⚠ WARNING** Disconnect machine from power source.

1. Loosen the nuts (B) and (E) Fig. 31. Make sure that the spring housing (A) remains engaged with head casting (C).
2. While firmly holding the spring housing (A) Fig. 32, pull out the housing and rotate it (counter-clockwise to increase or clockwise to decrease the spring tension) until the boss (D) is engaged with the next notch on the housing. Turn the nut (E) until it contacts the spring housing (A), then back the nut (E) out 1/4 turn from the spring housing (A). Tighten the nut (B) against the nut (E) to hold the housing in place.

**IMPORTANT:** The inside nut (E) should not contact spring housing (A) when tightened.



## ADJUSTING LASERS

**⚠ WARNING** Disconnect machine from power source.

**⚠ WARNING** Laser Light. Do not stare into the beam, aperture, or into a reflection from a mirror-like surface.

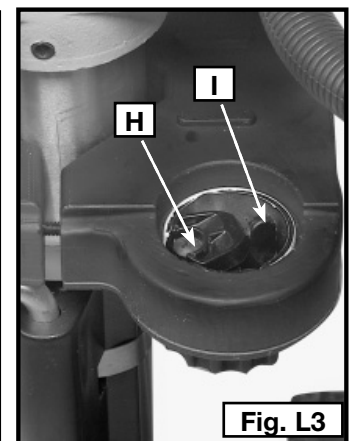
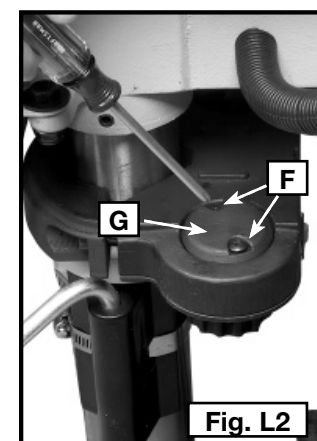
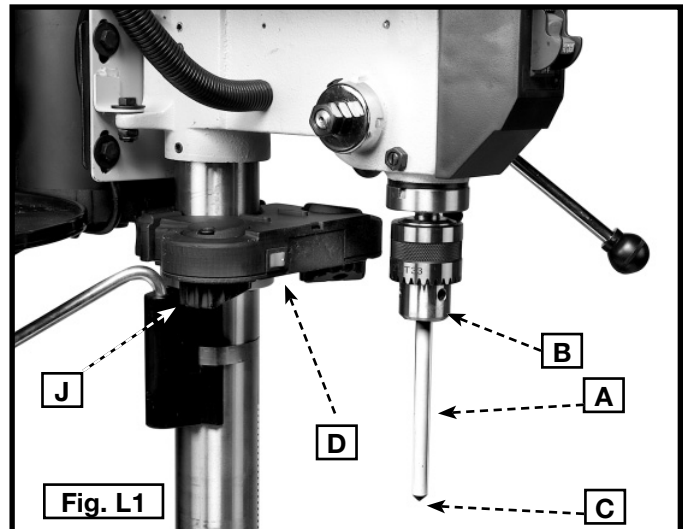
### MAKING LASERS PARALLEL

1. Install alignment pin (A) into chuck (B). Make sure that the pointed end (C) of the alignment pin is down, as shown in Fig. L1. The black scribed line on the pin should face towards the left laser.
2. Turn on lasers using switch (D) on the front of the laser housing.
3. With a Phillips head screwdriver, remove the two screws (F) Fig. L2 and cap (G) above the left side of laser housing.
4. Loosen the laser retainer screw (H) Fig. L3.
5. Move the laser lever (I) Fig. L3 so the laser is shining on the alignment pin. Adjust the lever (I) until the laser is parallel with the black line.

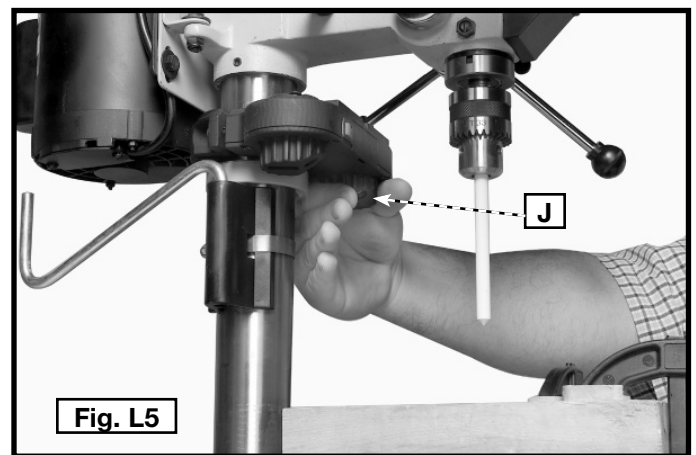
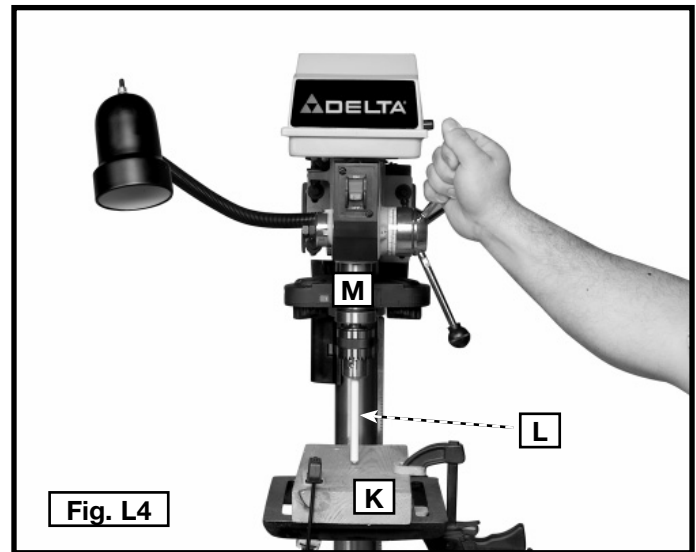
NOTE: It may be necessary to move the laser holder (J) Fig. L1 to get the laser to shine on the alignment pin. Once the light is on the pin, adjust the laser with the lever (I).

6. When laser is set, tighten the laser retainer screw (H) Fig. L3. Then, replace the cap (G) Fig. L2 and loosely tighten the two screws (F).
7. Repeat for the right side.

### MAKING LASERS INTERSECT



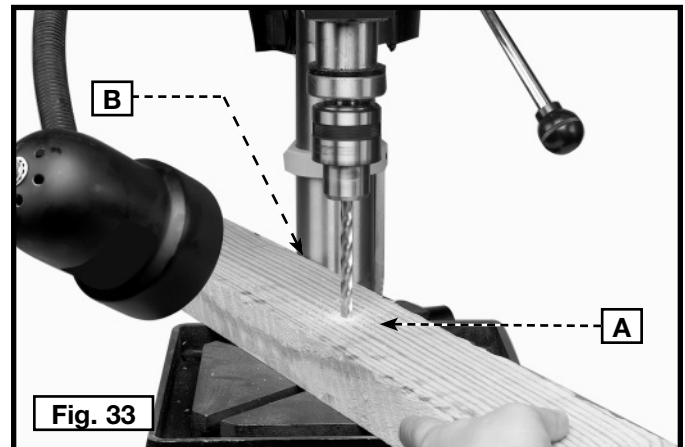
1. Place a piece of wood (K) Fig. L4 on the table and clamp in place.
2. Rotate quill (M) down and make an indentation in the wood with the alignment pin (L) Fig. L4.
3. Turn on laser and adjust both beams to cross that point by rotating the laser holder (J) Fig. L5.
4. Check if the lasers line up at different heights by either raising or lowering the table, making a new indentation and turning on the lasers to verify they cross at the indentation. If the laser does not align at different heights, the parallel adjustment needs to be readjusted.
5. Once the lasers are adjusted, tighten the screws on each side of the laser housing, two of which are shown at (F) Fig. L2.



## MACHINE USE

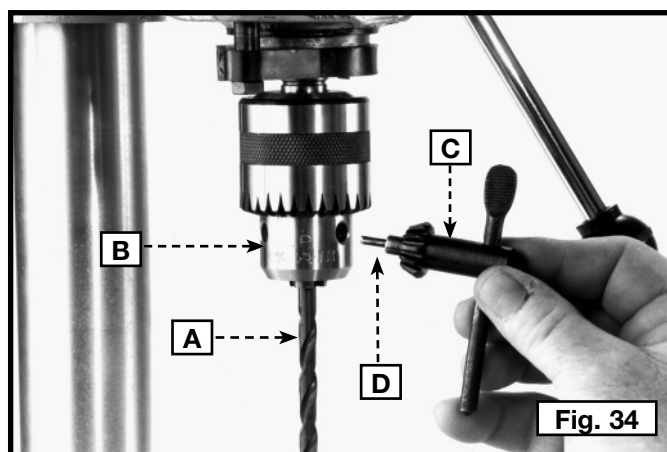
**⚠ WARNING** The use of accessories and attachments not recommended by Delta may result in risk of injury.

**IMPORTANT:** When the workpiece (A) Fig. 33 is long enough, position it on the table with one end against the left side of the column (B) to prevent the workpiece from rotating. If it is not possible to support the workpiece against the column, clamp the workpiece to the table.



**NOTE:** Use scrap material for practice to get a feel of the machine before attempting regular work.

## INSTALLING AND REMOVING DRILL BITS



**NOTE:** Use drill bits with a shank of 1/2" or less in diameter.

**⚠ WARNING** Disconnect machine from power source.

1. Insert the smooth end of drill bit (A) Fig. 34 in the chuck (B) as far as it will go, and then back the bit out 1/16" (or up to the flutes for small bits).
2. Center the drill bit (A) Fig. 34 in the chuck (B) before tightening the chuck with the key (C).
3. Turn the chuck key (C) Fig. 34 clockwise to tighten and counterclockwise to loosen the chuck jaws.
4. Tighten all three chuck jaws to secure the drill bit sufficiently to prevent slipping.
5. **Remove the chuck key (C)** Fig. 34 from the chuck before starting the drill press. The chuck key (C) is equipped with a self-ejecting pin (D) which helps minimize the potential for the key to be left in the chuck.

**⚠ CAUTION** Don't tether the chuck key to the tool. The cord could get tangled and chuck could be thrown at user or tool could be damaged.

## CORRECT DRILLING SPEEDS

Factors that determine the correct speed are: the workpiece, the size of the hole, the type of bit or other cutter, and the quality of cut.

**⚠ WARNING** Use the recommended speed for the drill press bit and workpiece.

## DRILLING WOOD

Twist drills, usually intended for metal drilling, can also be used for boring holes in wood. However, machine spur bits are generally preferred for working in wood. These bits cut a flat bottom hole and are designed for removal of wood chips. Do not use hand bits which have a screw tip. At drill press speeds, they will lift and rotate the workpiece.

For through boring, align the workpiece so that the bit will go through the center hole in the table. Scribe a vertical line on the front of the column and a matching mark on the table bracket and the drill press head, so that the table and drill press head can be clamped in the center position at any height.

Feed the workpiece slowly when the bit is close to cutting through the wood to prevent splintering the bottom face. Use a scrap piece of wood as a base block under the work. This helps to reduce splintering and protects the point of the bit.

## DRILLING METAL

Use clamps to hold the work when drilling metal. The workpiece should never be held in the bare hand. The drill bit may seize the work at any time, especially when breaking through the stock. If the piece is whirled out of the operator's hand, the operator may be injured. The drill bit will be broken if the workpiece strikes the column.

The workpiece must be clamped firmly while drilling. Any tilting, twisting, or shifting results not only in a rough hole, but also increases drill bit breakage. For flat work, lay the workpiece on a wooden base and clamp it firmly down against the table to prevent it from turning. If the workpiece is of irregular shape and cannot be laid flat on the table, it should be securely blocked and clamped.

## MAINTENANCE

### KEEP MACHINE CLEAN

Periodically blow out all air passages with dry compressed air. All plastic parts should be cleaned with a soft damp cloth. NEVER use solvents to clean plastic parts. They could possibly dissolve or otherwise damage the material.

**▲WARNING** Wear certified safety equipment for eye, hearing and respiratory protection while using compressed air.

### FAILURE TO START

Should your machine fail to start, check to make sure the prongs on the cord plug are making good contact in the outlet. Also, check for blown fuses or open circuit breakers in the line.

### LUBRICATION & RUST PROTECTION

Apply household floor paste wax to the machine table and extension table or other work surface weekly. Or use a commercially available protective product designed for this purpose. Follow the manufacturer's instructions for use and safety.

To clean cast iron tables of rust, you will need the following materials: a pushblock from a jointer, a sheet of medium Scotch-Brite™ Blending Hand Pad, a can of WD-40® and a can of degreaser. Apply the WD-40 and polish the table surface with the Scotch-Brite pad using the pushblock as a holddown. Degrease the table, then apply the protective product as described above.

## SERVICE

### REPLACEMENT PARTS

When servicing use only identical replacement parts. Check the parts list included for more information. Parts lists can also be found online at [servicenet.deltamachinery.com](http://servicenet.deltamachinery.com).

### SERVICE AND REPAIRS

All quality tools will eventually require servicing, or replacement of parts due to wear from normal use. For assistance with your tool, visit our website at [www.deltamachinery.com](http://www.deltamachinery.com)

[deltamachinery.com](http://deltamachinery.com) for a list of service centers or call the Customer Care Department at 1-800-223-7278. All repairs made by our service centers are fully guaranteed against defective material and workmanship. We cannot guarantee repairs made or attempted by others. Should you have any questions about your tool, feel free to write us at any time. In any communications, please give all information shown on the nameplate of your tool (model number, type, serial number, etc.).

## ACCESSORIES

A complete line of accessories is available from your Delta Supplier, Porter-Cable • Delta Factory Service Centers, and Delta Authorized Service Stations. Please visit our Web Site [www.deltamachinery.com](http://www.deltamachinery.com) for a catalog or for the name of your nearest supplier.

**▲WARNING** SINCE ACCESSORIES OTHER THAN THOSE OFFERED BY DELTA HAVE NOT BEEN TESTED WITH THIS PRODUCT, USE OF SUCH ACCESSORIES COULD BE HAZARDOUS. FOR SAFEST OPERATION, ONLY DELTA RECOMMENDED ACCESSORIES SHOULD BE USED WITH THIS PRODUCT.

## WARRANTY

To register your tool for warranty service visit our website at [www.deltamachinery.com](http://www.deltamachinery.com).



### Two Year Limited New Product Warranty

Delta will repair or replace, at its expense and at its option, any new Delta machine, machine part, or machine accessory which in normal use has proven to be defective in workmanship or material, provided that the customer returns the product prepaid to a Delta factory service center or authorized service station with proof of purchase of the product within two years and provides Delta with reasonable opportunity to verify the alleged defect by inspection. For all refurbished Delta product, the warranty period is 180 days. Delta may require that electric motors be returned prepaid to a motor manufacturer's authorized station for inspection and repair or replacement. Delta will not be responsible for any asserted defect which has resulted from normal wear, misuse, abuse or repair or alteration made or specifically authorized by anyone other than an authorized Delta service facility or representative. Under no circumstances will Delta be liable for incidental or consequential damages resulting from defective products. This warranty is Delta's sole warranty and sets forth the customer's exclusive remedy, with respect to defective products; all other warranties, express or implied, whether of merchantability, fitness for purpose, or otherwise, are expressly disclaimed by Delta.

# Prensa para Taladro de Banco de 305 mm (12") (con Guías de Láser)

(Modelo DP300L)



PIEZA NO. A14210 - 10-27-05 Rev. B  
Copyright © 2005 Delta Machinery

MANUAL DE INSTRUCCIONES

 **DELTA**<sup>®</sup>

Para obtener más información sobre Delta Machinery,  
visite nuestro sitio web en: [www.deltamachinery.com](http://www.deltamachinery.com)

Para las piezas, el servicio, la garantía o la otra ayuda

llaman por favor **1-800-223-7278** (en la llamada **1-800-463-3582** de Canada).

Download from [Www.Somanuals.com](http://Www.Somanuals.com). All Manuals Search And Download.

**ENGLISH: PAGE 1**  
**FRANÇAISE : PAGE 41**

# INSTRUCCIONES DE SEGURIDAD IMPORTANTES

**⚠ ADVERTENCIA** LEA Y ENTIENDA TODAS ADVERTENCIAS Y LAS INSTRUCCIONES OPERADORAS ANTES DE UTILIZAR CUALQUIER INSTRUMENTO O EL EQUIPO. CUANDO SE USA INSTRUMENTOS O EQUIPO, LAS PRECAUCIONES BÁSICAS DE LA SEGURIDAD SIEMPRE SE DEBEN SEGUIR PARA REDUCIR EL RIESGO DE LA HERIDA PERSONAL. LA OPERACIÓN IMPROPIA, LA CONSERVACIÓN O LA MODIFICACIÓN DE INSTRUMENTOS O EQUIPO PODRÍAN TENER COMO RESULTADO EL DAÑO GRAVE DE LA HERIDA Y LA PROPIEDAD. HAY CIERTAS APLICACIONES PARA QUE EQUIPAAS CON HERRAMIENTA Y EL EQUIPO SE DISEÑA. LA DELTA MACHINERY RECOMIENDA TOTALMENTE QUE ESTE PRODUCTO NO SEA MODIFICADO Y/O UTILIZADO PARA NINGUNA APLICACIÓN DE OTRA MANERA QUE PARA QUE SE DISEÑÓ.

Si usted tiene cualquiera pregunta el pariente a su aplicación no utiliza el producto hasta que usted haya escrito Delta Machinery y nosotros lo hemos aconsejado.

La forma en línea del contacto en [www.deltamachinery.com](http://www.deltamachinery.com)

El Correo Postal: Technical Service Manager  
Delta Machinery  
4825 Highway 45 North  
Jackson, TN 38305

**(IN CANADA: 125 Mural St. Suite 300, Richmond Hill, ON, L4B 1M4)**

Información con respecto a la operación segura y apropiada de este instrumento está disponible de las fuentes siguientes:

Power Tool Institute  
1300 Sumner Avenue, Cleveland, OH 44115-2851  
[www.powertoolinstitute.org](http://www.powertoolinstitute.org)

National Safety Council  
1121 Spring Lake Drive, Itasca, IL 60143-3201

American National Standards Institute, 25 West 43rd Street, 4 floor, New York, NY 10036 [www.ansi.org](http://www.ansi.org)

ANSI 01.1 Safety Requirements for Woodworking Machines, and the U.S. Department of Labor regulations [www.osha.gov](http://www.osha.gov)

**GUARDE ESTAS INSTRUCCIONES!**

## PAUTAS DE SEGURIDAD/DEFINICIONES

Es importante para usted leer y entender este manual. La información que lo contiene relaciona a proteger SU SEGURIDAD y PREVENIR los PROBLEMAS. Los símbolos debajo de son utilizados para ayudarlo a reconocer esta información.

**⚠ PELIGRO** Indica una situación de inminente riesgo, la cual, si no es evitada, causará la muerte o lesiones serias.

**⚠ ADVERTENCIA** Indica una situación potencialmente riesgosa, que si no es evitada, podría resultar en la muerte o lesiones serias.

**⚠ PRECAUCIÓN** Indica una situación potencialmente peligrosa, la cual, si no es evitada, podría resultar en lesiones menores o mode-radas.

**PRECAUCIÓN** Usado sin el símbolo de seguridad de alerta indica una situa-ción potencialmente riesgosa la que, si no es evitada, podría causar daños en la propiedad.

### PROPOSICIÓN DE CALIFORNIA 65

**⚠ ADVERTENCIA** ALGUNOS TIPOS DE ASERRÍN CREADOS POR MÁQUINAS ELÉCTRICAS DE LIJADO, ASERRADO, AMOLADO, PERFORADO U OTRAS ACTIVIDADES DE LA CONSTRUCCIÓN, CONTIENEN MATERIALES QUÍMICOS CONOCIDOS (EN EL ESTADO DE CALIFORNIA) COMO CAUSANTES DE CÁNCER, DEFECTOS DE NACIMIENTO U OTROS DAÑOS DEL APARATO REPRODUCTIVO. ALGUNOS EJEMPLOS DE DICHS PRODUCTOS QUÍMICOS SON:

- El plomo contenido en algunas pinturas con base de plomo
- Sílice cristalizado proveniente de los ladrillos, el cemento y otros productos de albañilería
- Arsénico y cromo de madera tratada químicamente

Su riesgo por causa de estas exposiciones varía, dependiendo de con cuánta frecuencia realice este tipo de trabajo. Para reducir su exposición a estos agentes químicos: trabaje en un área bien ventilada y trabaje con equipo de seguridad aprobado, use siempre protección facial o respirador **NIOSH/OSHA** aprobados cuando deba utilizar dichas herramientas.

# NORMAS GENERALES DE SEGURIDAD

**▲ ADVERTENCIA** SI NO SE SIGUEN ESTAS NORMAS, EL RESULTADO PODRÍA SER LESIONES GRAVES.

- 1. PARA SU PROPIA SEGURIDAD, LEA EL MANUAL DE INSTRUCCIONES ANTES DE UTILIZAR LA MÁQUINA.** Al aprender la aplicación, las limitaciones y los peligros específicos de la máquina, se minimizará enormemente la posibilidad de accidentes y lesiones.
- 2. USE PROTECCIÓN DE LOS OJOS Y DE LA AUDICIÓN. USE SIEMPRE ANTEOJOS DE SEGURIDAD.** Los lentes de uso diario NO son anteojos de seguridad. USE EQUIPO DE SEGURIDAD CERTIFICADO. El equipo de protección de los ojos debe cumplir con las normas ANSI Z87.1. El equipo de protección de la audición debe cumplir con las normas ANSI S3.19.
- 3. USE INDUMENTARIA ADECUADA.** No use ropa holgada, guantes, corbatas, anillos, pulseras u otras joyas que podrían engancharse en las piezas móviles. Se recomienda usar calzado antideslizante. Use una cubierta protectora del pelo para sujetar el pelo largo.
- 4. NO UTILICE LA MÁQUINA EN UN ENTORNO PELIGROSO.** La utilización de herramientas mecánicas en lugares húmedos o mojados, o en la lluvia, puede causar descargas eléctricas o electrocución. Mantenga bien iluminada el área de trabajo para evitar tropezar o poner en peligro los brazos, las manos y los dedos.
- 5. MANTENGA TODAS LAS HERRAMIENTAS Y MÁQUINAS EN CONDICIONES ÓPTIMAS.** Mantenga las herramientas afiladas y limpias para lograr el mejor y más seguro rendimiento. Siga las instrucciones de lubricación y cambio de accesorios. Las herramientas y las máquinas mal mantenidas pueden dañar más la herramienta o la máquina y/o causar lesiones.
- 6. COMPRUEBE SI HAY PIEZAS DAÑADAS.** Antes de utilizar la máquina, compruebe si hay piezas dañadas. Compruebe la alineación de las piezas móviles, si las piezas móviles se atascan, si hay piezas rotas y toda otra situación que podría afectar su funcionamiento. Un protector o cualquier otra pieza que presente daños debe repararse o reemplazarse apropiadamente. Las piezas dañadas pueden causar daños adicionales a la máquina y/o lesiones.
- 7. MANTENGA LIMPIA EL ÁREA DE TRABAJO.** Las áreas y los bancos desordenados invitan a que se produzcan accidentes.
- 8. MANTENGA ALEJADOS A LOS NIÑOS Y A LOS VISITANTES.** El taller es un entorno potencialmente peligroso. Los niños y los visitantes pueden sufrir lesiones.
- 9. REDUZCA EL RIESGO DE UN ARRANQUE NO INTENCIONADO.** Asegúrese de que el interruptor esté en la posición de apagado antes de enchufar el cable de alimentación. En caso de un apagón, mueva el interruptor a la posición de apagado. Un arranque accidental podría causar lesiones.
- 10. UTILICE LOS PROTECTORES.** Asegúrese de que todos los protectores estén colocados en su sitio, sujetos firmemente y funcionando correctamente para prevenir lesiones.
- 11. quite las llaves de ajuste y de tuerca antes de arrancar la máquina.** Las herramientas, los pedazos de desecho y otros residuos pueden salir despedidos a alta velocidad, causando lesiones.
- 12. UTILICE LA MÁQUINA ADECUADA.** No fuerce una máquina o un aditamento a hacer un trabajo para el que no se diseñó. El resultado podría ser daños a la máquina y/o lesiones.
- 13. UTILICE ACCESORIOS RECOMENDADOS.** La utilización de accesorios y aditamentos no recomendados por Delta podría causar daños a la máquina o lesiones al usuario.
- 14. UTILICE EL CORDÓN DE EXTENSIÓN ADECUADO.** Asegúrese de que el cordón de extensión esté en buenas condiciones. Cuando utilice un cordón de extensión, asegúrese de utilizar un cordón que sea lo suficientemente pesado como para llevar la corriente que su producto tome. Un cordón de tamaño insuficiente causará una caída de la tensión de la línea, lo cual producirá una pérdida de potencia y recalentamiento. Consulte el Cuadro de cordones de extensión para obtener el tamaño correcto dependiendo de la longitud del cordón y la capacidad nominal en amperios indicada en la placa de especificaciones. En caso de duda, utilice el próximo calibre más grueso. Cuanto más pequeño sea el número de calibre, más pesado será el cordón.
- 15. SUJETE FIRMEMENTE LA PIEZA DE TRABAJO.** Utilice las abrazaderas o el tornillo cuando usted no puede asegurar el objeto en la tabla y contra la mano o cuando su mano estará peligroso cerca de la lámina (dentro de 6").
- 16. HAGA AVANZAR LA PIEZA DE TRABAJO CONTRA EL SENTIDO DE ROTACIÓN DE LA HOJA, EL CORTADOR O LA SUPERFICIE ABRASIVA.** Si la hace avanzar desde el otro sentido, el resultado será que la pieza de trabajo salga despedida a alta velocidad.
- 17. NO FUERCE LA PIEZA DE TRABAJO SOBRE LA MÁQUINA.** El resultado podría ser daños a la máquina y/o lesiones.
- 18. NO INTENTE ALCANZAR DEMASIADO LEJOS.** Una pérdida del equilibrio puede hacerle caer en una máquina en funcionamiento, causándole lesiones.
- 19. NO SE SUBA NUNCA A LA MÁQUINA.** Se podrían producir lesiones si la herramienta se inclina o si usted hace contacto accidentalmente con la herramienta de corte.
- 20. NO DEJE NUNCA DESATENDIDA LA MÁQUINA CUANDO ESTÉ EN MARCHA. APÁGUELA.** No deje la máquina hasta que ésta se detenga por completo. Un niño o un visitante podría resultar lesionado.
- 21. APAGUE LA MÁQUINA Y DESCONÉCTELA DE LA FUENTE DE ALIMENTACIÓN** antes de instalar o quitar accesorios, antes de ajustar o cambiar configuraciones o al realizar reparaciones. Un arranque accidental puede causar lesiones.
- 22. HAGA SU TALLER A PRUEBA DE NIÑOS CON CANDADOS E INTERRUPTORES MAESTROS O QUITANDO LAS LLAVES DE ARRANQUE.** El arranque accidental de una máquina por un niño o un visitante podría causar lesiones.
- 23. MANTÉNGASE ALERTA, FÍJESE EN LO QUE ESTÁ HACIENDO Y USE EL SENTIDO COMÚN. NO UTILICE LA MÁQUINA CUANDO ESTÉ CANSADO O BAJO LA INFLUENCIA DE DROGAS, ALCOHOL O MEDICAMENTOS.** Un momento de distracción mientras se estén utilizando herramientas mecánicas podría causar lesiones.
- 24. ▲ ADVERTENCIA EL USO DE ESTA HERRAMIENTA PUEDE GENERAR Y DISPERSAR POLVO U OTRAS PARTÍCULAS SUSPENDIDAS EN EL AIRE, INCLUYENDO POLVO DE MADERA, POLVO DE SÍLICE CRISTALINA Y POLVO DE ASBESTO.** Dirija las partículas de modo que se alejen de la cara y del cuerpo. Utilice siempre la herramienta en un área bien ventilada y proporcione un medio apropiado de remoción de polvo. Use un sistema de recolección de polvo en todos los lugares donde sea posible. La exposición al polvo puede causar lesiones respiratorias graves y permanentes u otras lesiones graves y permanentes, incluyendo silicosis (una enfermedad pulmonar grave), cáncer y muerte. Evite aspirar el polvo y evite el contacto prolongado con el polvo. Si se permite que el polvo entre en la boca o en los ojos, o que se deposite en la piel, se puede promover la absorción de material nocivo. Use siempre protección respiratoria aprobada por NIOSH/ OSHA que se ajuste apropiadamente y sea adecuada para la exposición al polvo, y lávese las áreas expuestas con agua y jabón.

# NORMAS ESPECÍFICAS ADICIONALES DE SEGURIDAD

**⚠ ADVERTENCIA** SI NO SE SIGUEN ESTAS NORMAS, EL RESULTADO PODRÍA SER LESIONES PERSONALES GRAVES.

1. **NO OPERE ESTA MÁQUINA HASTA** que no esté armada e instalada completamente, según las instrucciones. Una máquina montada de manera incorrecta puede provocar lesiones graves.
2. **SOLICITE EL ASESORAMIENTO** de su supervisor, instructor o alguna persona calificada si no está familiarizado con el funcionamiento de esta máquina. El conocimiento garantiza la seguridad.
3. **RESPETE TODOS LOS CÓDIGOS DE CABLEADO** y las conexiones eléctricas recomendadas para prevenir los riesgos de descargas eléctricas o electrocución.
4. **FIJE LA MÁQUINA EN UNA SUPERFICIE DE APOYO.** La vibración puede hacer que la máquina se deslice, se mueva o se incline.
5. **NUNCA ENCIENDA LA MÁQUINA ANTES DE QUITAR** todos los objetos de la mesa (herramientas, piezas de descarte, etc.). Los desechos pueden ser arrojados a alta velocidad.
6. **NUNCA ENCIENDA LA MÁQUINA** con la broca del taladro, la herramienta de corte o el tambor para lijar apoyado contra la pieza de trabajo. La pérdida del control de la pieza de trabajo puede causar lesiones graves.
7. **BLOQUEE CORRECTAMENTE LA BROCA DEL TALADRO,** la herramienta de corte o el tambor para lijar en el portabrocas antes de operar esta máquina.
8. **RETIRE LA LLAVE DE PORTABROCAS ANTES DE ENCENDER LA MÁQUINA.** La llave de portabrocas puede ser arrojada a alta velocidad.
9. **AJUSTE TODOS LOS MANGOS DE BLOQUEO** antes de encender la máquina. La pérdida del control de la pieza de trabajo puede causar lesiones graves.
10. **USE SOLAMENTE BROCAS PARA TALADRO, HERRAMIENTAS DE CORTE, TAMBORES PARA LIJAR U OTROS ACCESORIOS** con el tamaño de vástago recomendado en el manual de instrucciones. Un accesorio del tamaño incorrecto puede provocar daños en la máquina y/o lesiones graves.
11. **USE SOLAMENTE BROCAS PARA TALADRO, HERRAMIENTAS DE CORTE O TAMBORES PARA LIJAR QUE NO ESTÉN DAÑADOS.** Los elementos dañados pueden generar un mal funcionamiento capaz de ocasionar lesiones.
12. **USE LAS VELOCIDADES RECOMENDADAS PARA TODAS LAS OPERACIONES.** Otras velocidades pueden generar un mal funcionamiento de la máquina y dañarla u ocasionar lesiones graves.
13. **EVITE OPERACIONES Y POSICIONES DE LAS MANOS COMPLICADAS.** Un deslizamiento repentino podría llevar la mano hacia la broca.
14. **MANTENGA LOS BRAZOS, LAS MANOS Y LOS DEDOS** lejos de la broca. Puede provocar lesiones graves en la mano.
15. **SUJETE LA PIEZA DE TRABAJO CON FIRMEZA CONTRA LA MESA.** No intente taladrar una pieza de trabajo cuya superficie plana no esté apoyada contra la mesa y fija con una prensa. Evite que la pieza de trabajo gire; para ello, sujétela con abrazaderas a la mesa o fíjela contra la columna de la prensa de taladro. La pérdida del control de la pieza de trabajo puede causar lesiones graves.
16. **APAGUE LA MÁQUINA Y ESPERE A QUE LA BROCA DEL TALADRO, LA HERRAMIENTA DE CORTE O EL TAMBOR PARA LIJAR** dejen de GIRAR antes de limpiar el área de trabajo, retirar los desechos, retirar o fijar la pieza de trabajo, o cambiar el ángulo de la mesa. Una broca de taladro, herramienta de corte o tambor para lijar en movimiento puede ocasionar lesiones graves.
17. **APOYE ADECUADAMENTE LAS PIEZAS DE TRABAJO LARGAS O ANCHAS.** La pérdida del control de la pieza de trabajo puede causar lesiones graves.
18. **NUNCA REALICE TRABAJOS DE TRAZADO,** armado o instalación en la mesa o área de trabajo cuando la máquina esté en funcionamiento. Puede causar lesiones graves.
19. **APAGUE LA MÁQUINA, DESCONÉCTELA DE LA FUENTE DE ALIMENTACIÓN Y LIMPIE LA MESA O ÁREA DE TRABAJO ANTES DE ABANDONARLA.** Bloquee el interruptor en la posición de "APAGADO" (OFF) para evitar el uso no autorizado. Alguien podría encender la máquina por accidente y esto podría ocasionar lesiones graves.
20. **ENCONTRARÁ INFORMACIÓN ADICIONAL** disponible acerca de la operación correcta y segura de herramientas eléctricas (por ejemplo: un vídeo de seguridad) en el Instituto de Herramientas Eléctricas (Power Tool Institute), 1300 Sumner Avenue, Cleveland, OH 44115-2851 ([www.powertoolinstitute.com](http://www.powertoolinstitute.com)). Además, encontrará información disponible en el Consejo Nacional de Seguridad (National Safety Council), 1121 Spring Lake Drive, Itasca, IL 60143-3201. Remítase a los Requisitos de Seguridad 01.1 para las máquinas de carpintería del Instituto Estadounidense de Normas Nacionales (American National Standards Institute - ANSI) y a las Normas OSHA 1910.213 del Ministerio de Trabajo de los Estados Unidos.

## GUARDE ESTAS INSTRUCCIONES.

Refiérase a ellas con frecuencia y utilícelas para adiestrar a otros.



# ETIQUETAS AMONESTADORAS DE LA HERRAMIENTA

⚠ WARNING	⚠ ADVERTENCIA	⚠ AVERTISSEMENT
<p><b>FOR YOUR OWN SAFETY, READ AND UNDERSTAND INSTRUCTION MANUAL BEFORE OPERATING DRILL PRESS. ALWAYS WEAR EYE PROTECTION AND WEAR PROPER RESPIRATORY PROTECTION. DO NOT WEAR GLOVES, NECKTIES, JEWELRY OR LOOSE CLOTHING. ALWAYS CLAMP WORKPIECE OR BRACE IT AGAINST COLUMN TO PREVENT ROTATION. KEEP HANDS AWAY FROM ROTATING BIT OR ACCESSORY. USE RECOMMENDED SPEED FOR THE DRILL AND WORKPIECE MATERIAL. BE SURE DRILL BIT OR CUTTING TOOL IS NOT DAMAGED AND PROPERLY LOCKED IN THE CHUCK BEFORE OPERATING. MAKE CERTAIN CHUCK KEY IS REMOVED BEFORE STARTING DRILL PRESS. DISCONNECT MACHINE FROM POWER SOURCE BEFORE MAKING REPAIRS OR ADJUSTMENTS. DO NOT EXPOSE TO RAIN OR USE IN DAMP LOCATIONS.</b></p>	<p><b>POR SU PROPIA SEGURIDAD, LEA Y COMPRENDA EL MANUAL DE INSTRUCCIONES ANTES DE UTILIZAR LA PRENSA DE TALADRO. SIEMPRE UTILICE PROTECCIÓN PARA LOS OJOS Y PROTECCIÓN APROPIADA PARA LA RESPIRACIÓN. NO USE GUANTES, CORBATAS, JOYAS NI ROPA HOLGADA. SIEMPRE SUJETE LA PIEZA DE TRABAJO CON ABRAZADERAS O AMÁRRELA CONTRA LA COLUMNA PARA EVITAR LA ROTACIÓN. MANTENGA LAS MANOS LEJOS DE LA BROCA O ACCESORIOS GIRATORIOS. USE LA VELOCIDAD RECOMENDADA PARA EL TALADRO Y EL MATERIAL DE LA PIEZA DE TRABAJO. ASEGÚRESE DE QUE LA BROCA DEL TALADRO O LA HERRAMIENTA DE CORTE NO ESTÉN DAÑADAS Y DE QUE ESTÉN CORRECTAMENTE BLOQUEADAS EN EL PORTABROCAS ANTES DE SU OPERACIÓN. ASEGÚRESE DE RETIRAR LA LLAVE DE PORTABROCAS ANTES DE ENCENDER LA PRENSA DE TALADRO. DESCONECTE LA MÁQUINA DE LA FUENTE DE ALIMENTACIÓN ANTES DE REALIZAR REPARACIONES O AJUSTES. NO EXPONGA A LA LLUVIA NI UTILICE EN LUGARES HÚMEDOS.</b></p>	<p><b>POUR VOTRE PROPRE SÉCURITÉ, BIEN LIRE ET COMPRENDRE LE MODE D'EMPLOI AVANT D'UTILISER LA PERCEUSE À COLONNE. TOUJOURS PORTER UNE PROTECTION OCULAIRE ET DES ARTICLES DE PROTECTION DES VOIES RESPIRATOIRES APPROPRIÉS. NE PAS PORTER DE GANTS, CRAVATES, BIJOUX OU VÊTEMENTS AMPLES. TOUJOURS FIXER LA PIÈCE OU BIEN LA CALER CONTRE LA COLONNE POUR EMPÊCHER UNE ROTATION. TENIR VOS MAINS ÉLOIGNÉES DE LA MÈCHE ROTATIVE OU ACCESSOIRE. UTILISER LA VITESSE RECOMMANDÉE POUR LA PERCEUSE ET LE MATÉRIEL DE LA PIÈCE À PERCER. S'ASSURER QUE LA MÈCHE OU L'ORGANE DE COUPE N'EST PAS ENDOMMAGÉ ET QU'IL EST BIEN VERROUILLÉ DANS LE MANDRIN AVANT SON UTILISATION. S'ASSURER DE RETIRER LA CLÉ DU MANDRIN AVANT DE DÉMARRER LA PERCEUSE DE COLONNE. DÉBRANCHER LA MACHINE DE LA SOURCE D'ALIMENTATION AVANT D'EFFECTUER DES RÉPARATIONS OU DES RÉGLAGES. NE PAS L'EXPOSER À LA PLUIE ET NE PAS L'UTILISER DANS UN ENDROIT HUMIDE.</b></p>

⚠ WARNING
To reduce the risk of fire, use 40-watt or less Track Light Bulb.
⚠ ADVERTENCIA
Para reducir el riesgo de incendio, use bombillas de luz en riel de 40 vatios o menos.
⚠ AVERTISSEMENT
Pour réduire le risque d'incendie, utiliser une ampoule incandescente de 40 watts ou moins.

A14282

## OTRAS REGLAS DE SEGURIDAD PARA EL LÁSER

**⚠ ADVERTENCIA** SI NO SE SIGUEN ESTAS NORMAS, EL RESULTADO PODRÍA SER LESIONES PERSONALES GRAVES.

### ⚠ PELIGRO LESIONES OCULARES - LUZ LÁSER

- \* No fije la vista en el orificio del rayo ni en su reflejo sobre superficies similares a un espejo.
- \* No utilice herramientas ópticas, como por ejemplo un telescopio o un teodolito para ver el rayo láser.

### ⚠ ADVERTENCIA LESIONES OCULARES - LUZ LÁSER


- \* No opere el láser con niños alrededor ni permita que los niños operen el láser.
- \* Guarde el láser fuera del alcance de los niños y de personas no entrenadas
- \* Apague el láser cuando no esté en uso

**⚠ ADVERTENCIA** \* No desarme el módulo del láser. La salida de láser clase II puede excederse si la unidad se desarma. Cumple con 21 CFR 1040.10 y 1040.11.

**LA UTILIZACIÓN DE CONTROLES O AJUSTES, O PROCEDIMIENTOS DE RENDIMIENTO DIFERENTES A LOS**

**⚠ ADVERTENCIA** AQUÍ ESPECIFICADOS PODRÍA OCASIONAR UNA EXPOSICIÓN A RADIACIÓN PELIGROSA. PELIGRO DE EXPLOSIÓN. NO OPERE EL LÁSER O LA PRENSA DE TALADRO EN ATMÓSFERAS EXPLOSIVAS, COMO AMBIENTES EN LOS QUE HAYA LÍQUIDOS, GASES O POLVO INFLAMABLES. UNA CHISPA PUEDE ENCENDER EL POLVO O LOS VAPORES.

**NOTA:** No retire ni borre las etiquetas de advertencia.

<p><b>CAUTION: CLASS 2 LASER RADIATION WHEN OPEN. DO NOT STARE INTO THE BEAM.</b></p>	A14781
<p>LASER RADIATION DO NOT STARE INTO BEAM CLASS 2 LASER PRODUCT MAXIMUM OUTPUT POWER &lt;1 mW MAX @ 630nm-670nm CLASS II LASER PRODUCT COMPLIES WITH THE APPLICABLE REQUIREMENTS OF 21 CFR 1040.10 AND 1040.11.</p>	

<p><b>PRECAUCION: LÁSER CLASE 2 EMITE RADIACIÓN CUANDO ESTÁ ABIERTO. NO FIJE LA VISTA EN EL HAZ.</b></p>
<p><b>ATTENTION: RADIATIONS LASER DE CLASSE 2 LORSQU'OUVERT; NE PAS FIXER LE FAISCEAU.</b></p>

A14476

## CONEXIONES A LA FUENTE DE ALIMENTACIÓN

Debe utilizarse un circuito eléctrico independiente para las máquinas. Este circuito debe tener alambre de no menos del No. 12 y debe estar protegido con un fusible de acción retardada de 20 A. Si se utiliza un cordón de extensión, utilice únicamente cordones de extensión de tres alambres que tengan enchufes de tipo de conexión a tierra con tres terminales y un receptáculo coincidente que acepte el enchufe de la máquina. Antes de conectar el máquina a la línea de alimentación, asegúrese de que el interruptor(s) esté en la posición de apagado y cerciúrese de que la corriente eléctrica tenga las mismas características que las que estén indicadas en la máquina. Todas las conexiones a la línea de alimentación deben hacer buen contacto. El funcionamiento a bajo voltaje dañará el máquina.

**⚠ PELIGRO PELIGRO DE ELECTROCUCIÓN - NO EXPONGA LA MÁQUINA A LA LLUVIA NI LA UTILICE EN LUGARES HÚMEDOS.**

## ESPECIFICACIONES DEL MOTOR

La máquina está cableada para corriente alterna de 120V, 60 Hz. Antes de conectar la máquina a la fuente de alimentación, asegúrese de que el interruptor esté en la posición de apagado.

## INSTRUCCIONES DE CONEXIÓN A TIERRA

**⚠ PELIGRO PELIGRO DE ELECTROCUCIÓN - ESTA MÁQUINA DEBE ESTAR CONECTADA A TIERRA MIENTRAS SE ESTÉ UTILIZANDO, PARA PROTEGER AL OPERADOR CONTRA LAS DESCARGAS ELÉCTRICAS.**

### 1. Todas las máquinas conectadas con cordón conectadas a tierra:

En caso de mal funcionamiento o avería, la conexión a tierra proporciona una ruta de resistencia mínima para la corriente eléctrica, con el fin de reducir el riesgo de descargas eléctricas. Esta máquina está equipada con un cordón eléctrico que tiene un conductor de conexión a tierra del equipo y un enchufe de conexión a tierra. El enchufe debe enchufarse en un tomacorriente coincidente que esté instalado y conectado a tierra adecuadamente, de acuerdo con todos los códigos y ordenanzas locales.

No modifique el enchufe suministrado. Si el enchufe no cabe en el tomacorriente, haga que un electricista calificado instale el tomacorriente apropiado.

La conexión inapropiada del conductor de conexión a tierra del equipo puede dar como resultado riesgo de descargas eléctricas. El conductor con aislamiento que tiene una superficie exterior de color verde con o sin franjas amarillas es el conductor de conexión a tierra del equipo. Si es necesario reparar o reemplazar el cordón eléctrico o el enchufe, no conecte el conductor de conexión a tierra del equipo a un terminal con corriente.

Consulte a un electricista competente o a personal de servicio calificado si no entiende completamente las instrucciones de conexión a tierra o si tiene dudas en cuanto a si la máquina está conectada a tierra apropiadamente.

Utilice únicamente cordones de extensión de tres alambres que tengan enchufes de tipo de conexión a tierra con tres terminales y receptáculos de tres conductores que acepten el enchufe de la máquina, tal como se muestra en la Fig. A.

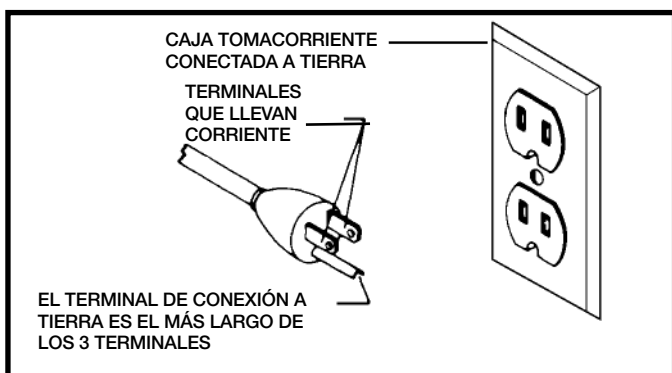


Fig. A

Repare o reemplace inmediatamente los cordones dañados o desgastados.

### 2. Máquinas conectadas con cordón conectadas a tierra diseñadas para utilizarse en un circuito de alimentación que tenga una capacidad nominal de menos de 150 V:

Si la máquina está diseñada para utilizarse en un circuito que tenga un tomacorriente parecido al que se ilustra en la Fig. A, la máquina tendrá un enchufe de conexión a tierra que se parece al enchufe ilustrado en la Fig. A. Puede utilizarse un adaptador temporal, que se parece al adaptador ilustrado en la Fig. B, para conectar este enchufe a un receptáculo coincidente de dos conductores, tal como se muestra en la Fig. B, si no se dispone de un tomacorriente conectado a tierra apropiadamente. El adaptador temporal debe utilizarse solamente hasta que un electricista calificado pueda instalar un tomacorriente conectado a tierra apropiadamente. La orejeta, lengüeta, etc., rígida de color verde que sobresale del adaptador debe conectarse a una toma de tierra permanente, como por ejemplo una caja tomacorriente conectada a tierra adecuadamente. Siempre que se utilice un adaptador, debe sujetarse en su sitio con un tornillo de metal.

**NOTA: En Canadá, el uso de un adaptador temporal no está permitido por el Código Eléctrico Canadiense.**

**⚠ PELIGRO PELIGRO DE ELECTROCUCIÓN-EN TODOS LOS CASOS, ASEGÚRESE DE QUE EL RECEPTÁCULO EN CUESTIÓN ESTÉ CONECTADO A TIERRA ADECUADAMENTE. SI NO ESTÁ SEGURO, HAGA QUE UN ELECTRICISTA CALIFICADO COMPRUEBE EL RECEPTÁCULO.**

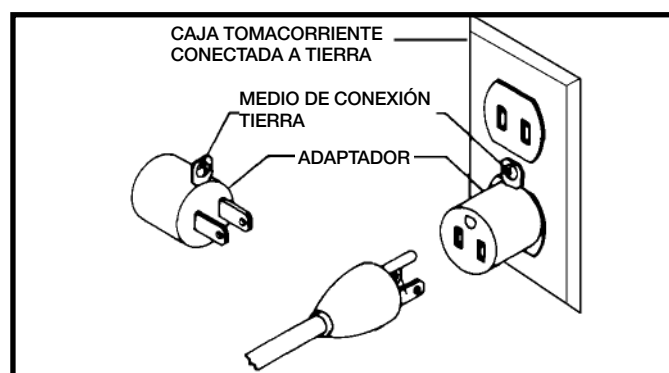


Fig. B

# CORDONES DE EXTENSIÓN

## CORDONES DE EXTENSIÓN

**⚠ ADVERTENCIA** UTILICE CORDONES DE EXTENSIÓN APROPIADOS. ASEGÚRESE DE QUE EL CORDÓN DE EXTENSIÓN ESTÉ EN BUENAS CONDICIONES Y DE QUE SEA UN CORDÓN DE EXTENSIÓN DE TRES ALAMBRES QUE TENGA UN ENCHUFE DE TIPO DE CONEXIÓN A TIERRA CON TRES TERMINALES Y UN RECEPTÁCULO COINCIDENTE QUE ACEPTE EL ENCHUFE DE LA MÁQUINA. CUANDO UTILICE UN CORDÓN DE EXTENSIÓN, ASEGÚRESE DE EMPLEAR UN CORDÓN QUE SEA LO SUFICIENTEMENTE PESADO COMO PARA LLEVAR LA CORRIENTE DE LA MÁQUINA. UN CORDÓN DE TAMAÑO INSUFICIENTE CAUSARÁ UNA CAÍDA DE LA TENSIÓN DE LA LÍNEA ELÉCTRICA QUE DARÁ COMO RESULTADO PÉRDIDA DE POTENCIA Y RECALENTAMIENTO. EN LA FIG. D1 O D2 SE MUESTRA EL CALIBRE CORRECTO QUE DEBE UTILIZARSE DEPENDIENDO DE LA LONGITUD DEL CORDÓN. EN CASO DE DUDA, UTILICE EL SIGUIENTE CALIBRE MÁS PESADO. CUANTO MÁS PEQUEÑO SEA EL NÚMERO DE CALIBRE, MÁS PESADO SERÁ EL CORDÓN.

CORDÓN DE EXTENSIÓN DE CALIBRE MÍNIMO			
TAMAÑOS RECOMENDADOS PARA USO CON MÁQUINAS ELÉCTRICAS ESTACIONARIAS			
Capacidad Nominal En Amperios	Voltios	Longitud Total Del Cordon En Pies	Calibre Del Cordon De Extensión
0-6	120	Hasta 25	18 AWG
0-6	120	25-50	16 AWG
0-6	120	50-100	16 AWG
0-6	120	100-150	14 AWG
6-10	120	Hasta 25	18 AWG
6-10	120	25-50	16 AWG
6-10	120	50-100	14 AWG
6-10	120	100-150	12 AWG
10-12	120	Hasta 25	16 AWG
10-12	120	25-50	16 AWG
10-12	120	50-100	14 AWG
10-12	120	100-150	12 AWG
12-16	120	Hasta 25	14 AWG
12-16	120	25-50	12 AWG
12-16	120	NO SE RECOMIENDA LONGITUDES MAYOR DE 50 PIES	

Fig. D

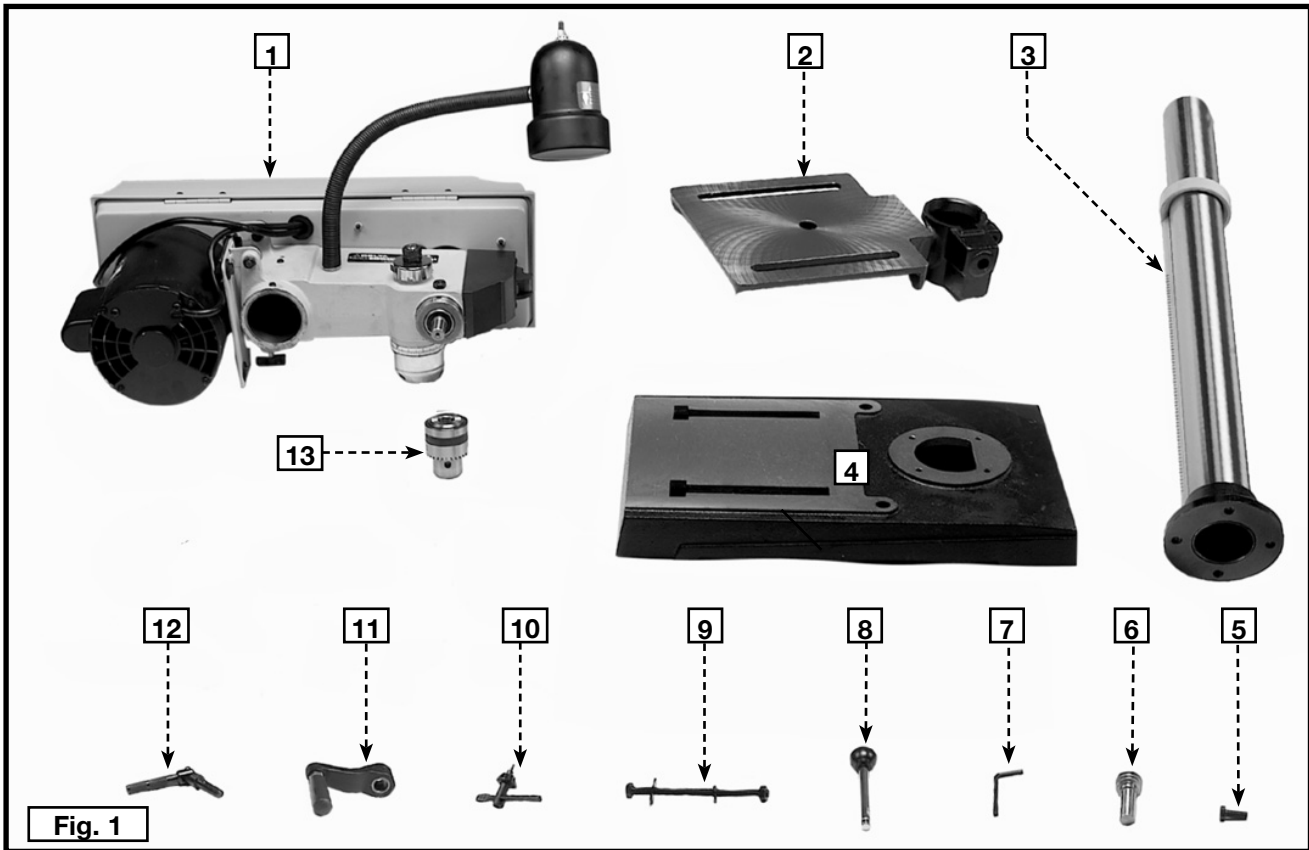
## INSTRUCCIONES DE FUNCIONAMIENTO

### PREFACIO

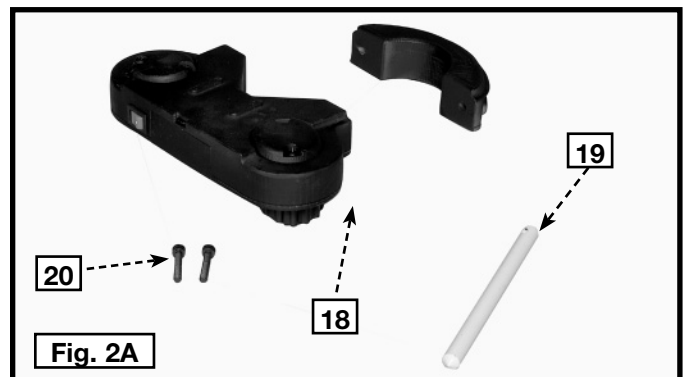
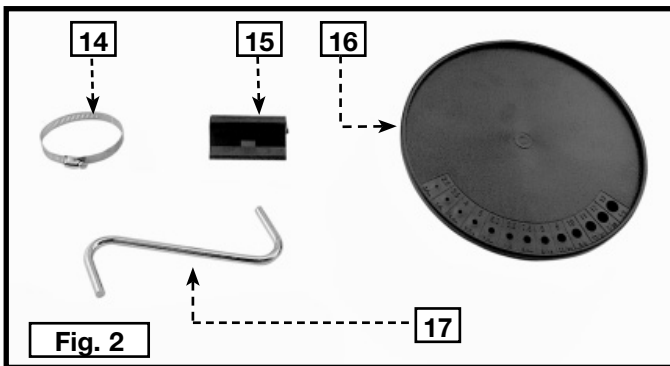
La prensa de taladro Delta DP300L de 304,5 mm (12") viene con una lámpara de trabajo flexible, una guía de láser para perforaciones precisas y una bandeja utilitaria para mantener las herramientas a mano. Esta máquina posee una mesa inclinable para perforación en ángulo, y bordes laterales y ranuras paralelas para sujetar rápidamente la pieza de trabajo con abrazaderas.

**NOTA:** La foto del cubierta del manual ilustra el modelo de production actual. Todas las demas ilustraciones son solamente representativas y es posible que no muestren el color, el etiquetado y los accesorios reales.

# CONTENIDO DE CARTON



1. Cabezal y motor de la taladradora
2. Mesa
3. Columna, pestaña de base, y mecanismo de elevación de mesa
4. Base
5. Tornillos de tapón de cabeza hexagonal de M8x1.25x25mm (4)
6. Tornillo sin fin para el mecanismo de elevación y bajado de mesa
7. Llaves (2)
8. Agarraderas del eje del piñón (3)
9. Tornillos de Carrocería de M8x1.25x125 mm (2), M8 arandelas planas (2), M8.1 arandelas de cierre (2), M8x1.25tuercas hexagonales (2)
10. Llave del mandrino
11. Vector que levanta y que baja la manija
12. Abrazadera de mesa
13. Mandrino
14. Abrazadera de manguera
15. Corchete de montaje
16. Bandeja del dígito binario de taladros
17. Brazo del montaje
18. Láser
19. Varilla de alineación del láser
20. Tornillos de cabeza troncocónica para el enchufe (2)



## DESEMPAQUETADO Y LIMPIEZA

Desembale cuidadosamente la máquina y todos los elementos sueltos del o los contenedores de envío. Retire el aceite anticorrosivo de las superficies sin pintura con un paño suave humedecido con alcohol mineral, solvente o alcohol desnaturalizado.

### **⚠ PRECAUCIÓN**

**NO USE SOLVENTES VOLÁTILES COMO GASOLINA, NAFTA, ACETONA O SOLVENTE DE BARNIZ PARA LIMPIAR LA SIERRA.**

Luego de limpiar, cubra las superficies sin pintura con cera en pasta de buena calidad que se utiliza para los pisos del hogar.

# ENSAMBLAJE

## HERRAMIENTAS DE ENSAMBLAJE REQUERIDAS

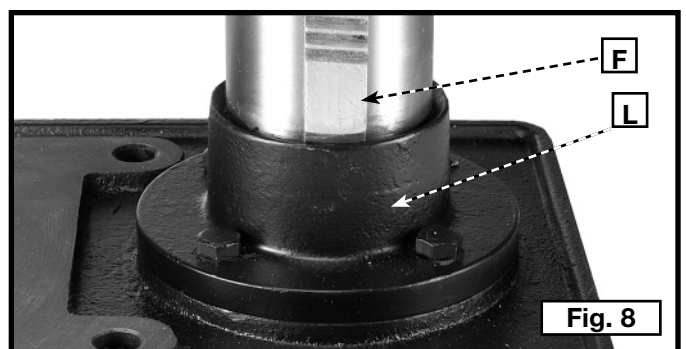
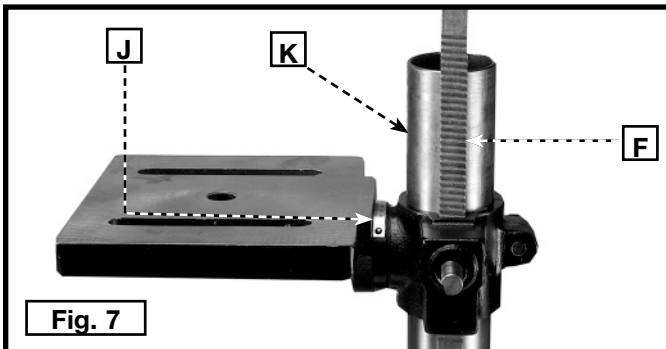
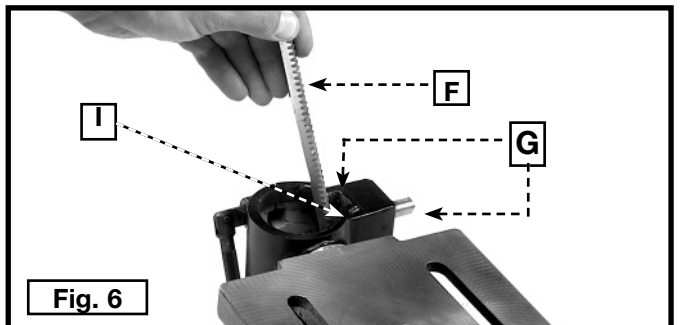
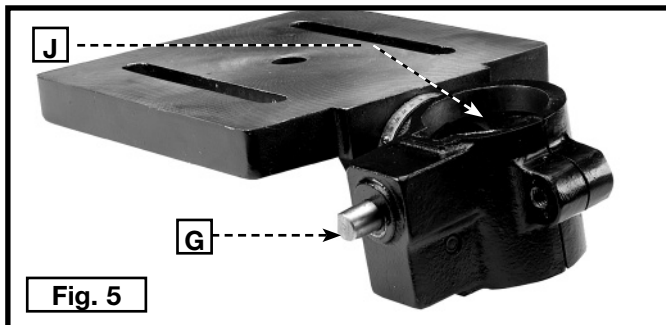
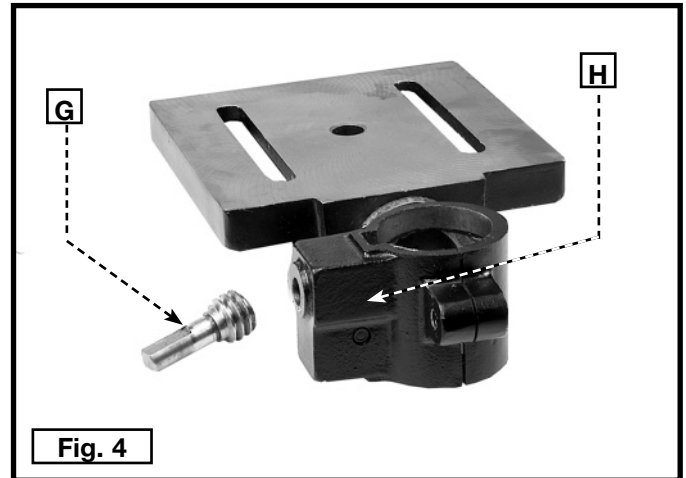
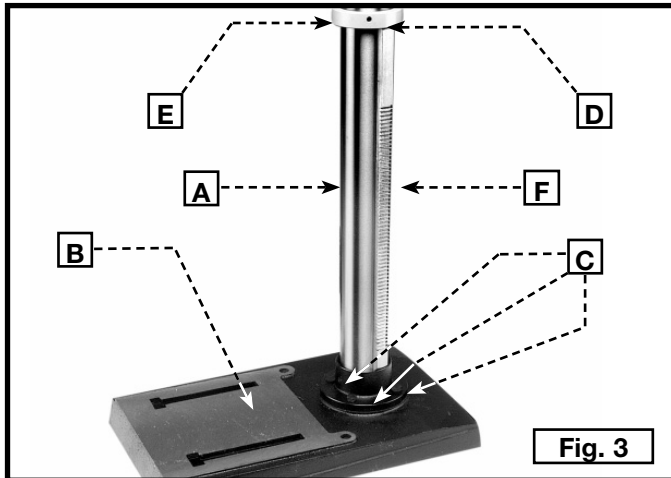
Llaves hexagonales (suministradas)

Llave abierta 1/2 (no suministrada)

## ESTIMACIÓN DEL TIEMPO DE ENSAMBLAJE

La asamblea para esta máquina es más o menos 1-2 horas.

**⚠ ADVERTENCIA** PARA SU PROPIA SEGURIDAD, NO CONECTE LA MAQUINA A LA FUENTE DE ENERGIA HASTA QUE LA MAQUINA HAYA SIDO ENSAMBLADA POR COMPLETO Y USTED HAYA LEIDO Y ENTENDIDO COMPLETAMENTE EL MANUAL DEL PROPIETARIO.



1. Adjunte la columna (A), Fig. 3, a la base (B) utilizando cuatro tornillos de cabeza hexagonal M8 x 1,25 x 25 mm (C), tres de ellos se muestran. Suelte el tornillo de sujeción (D) y retire el anillo (E) y la cremallera de elevación (F).
2. Coloque el engranaje de los tornillos sin fin (G), Fig. 4, en el soporte de la mesa (H).  
NOTA: Coloque el extremo pequeño del engranaje de los tornillos sin fin (G), Fig. 5, en el orificio (J). Luego, en el orificio para el engranaje de los tornillos sin fin. La ubicación correcta se muestra en la Fig. 5.
3. Inserte la cremallera de elevación (F), Fig. 6, (retirada en el PASO 1) en la ranura del soporte para la mesa (I).  
NOTA: Coloque los dientes de la cremallera de elevación (F) en los dientes del engranaje de los tornillos sin fin (G) ubicados dentro del soporte para la mesa.
4. Deslice la cremallera de elevación (F), Fig. 7, y la mesa con el soporte para la mesa (J) en la columna de la prensa para taladro (K), Fig. 7.  
NOTA: Coloque la parte inferior de la cremallera de elevación (F), Fig. 8; dentro de la brida (L) en la base de la prensa para taladro.
5. Coloque el soporte de montaje (A), Fig. 10, en la columna.  
NOTA: Asegúrese de que el soporte de montaje (A), Fig. 10, esté en el lado opuesto de la columna de la cremallera de elevación (F), Fig. 8.

6. Inserte la abrazadera (B), Fig. 10, a través del soporte de montaje debajo de la cremallera de elevación y alrededor de la columna. Ajuste la abrazadera de la manguera son firmeza.
7. Ensamble el brazo de montaje (C) en el orificio del soporte (D), Fig. 10, y adjunte la bandeja (T) al brazo de montaje.
8. Asegúrese de que el soporte, el brazo de montaje y la cremallera de elevación estén colocados en relación con la mesa de la prensa de taladro como se muestra en la Fig. 9.
9. Instale el anillo (E), Fig. 11, (retirado en el PASO 1) en la columna.

**IMPORTANTE:** Coloque la cremallera de elevación debajo de la parte inferior del anillo, pero deje espacio suficiente de modo que la cremallera (F) pueda girar alrededor de la columna. Ajuste el tornillo de sujeción (D), Fig. 11.

10. Adjunte el mango para elevar y bajar la mesa (K), Fig. 12, en el eje del engranaje de tornillos sin fin (G) y ajuste el tornillo de sujeción (L) contra la parte plana en el eje.
11. Enrosque la clavija del mango de la abrazadera (M), Fig. 13, en el orificio en la parte posterior del soporte para la mesa.

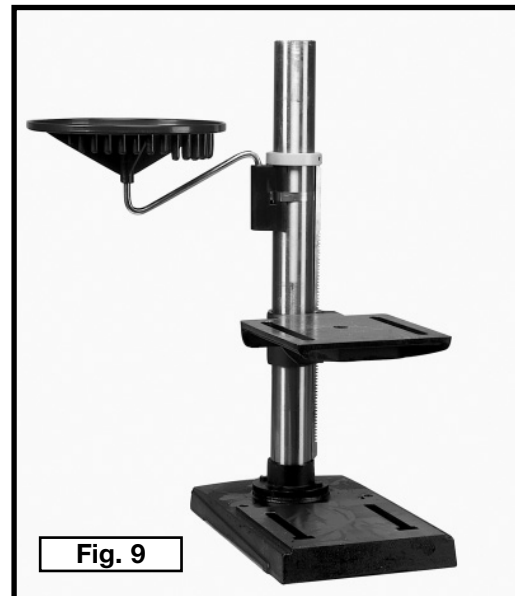


Fig. 9

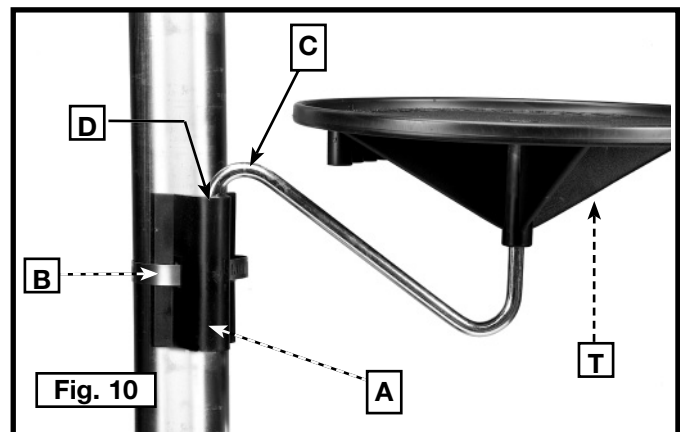


Fig. 10

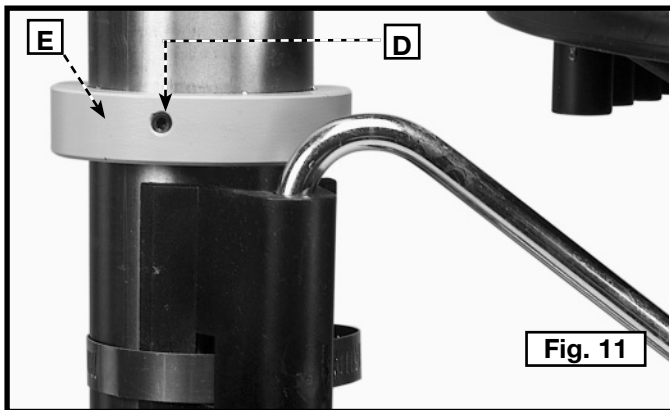


Fig. 11

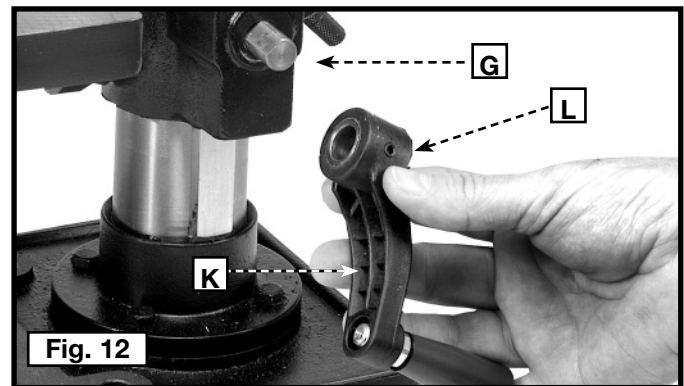


Fig. 12

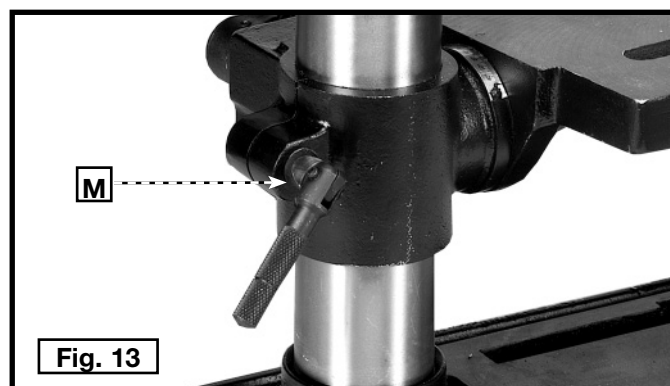
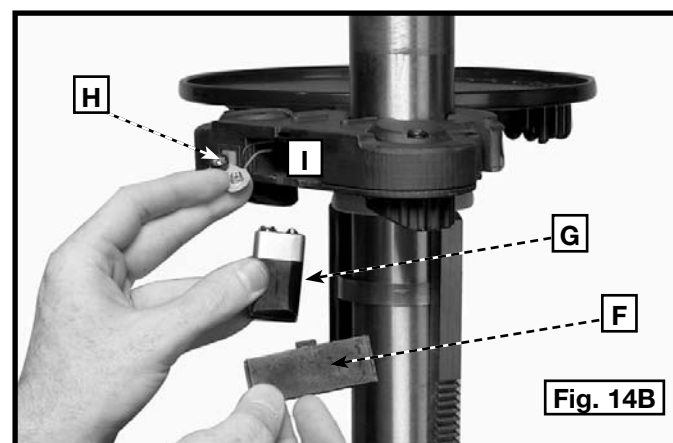
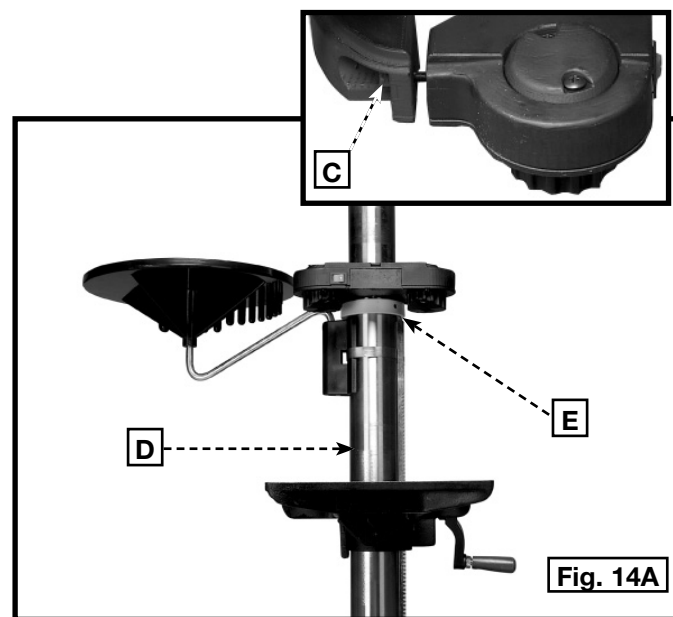
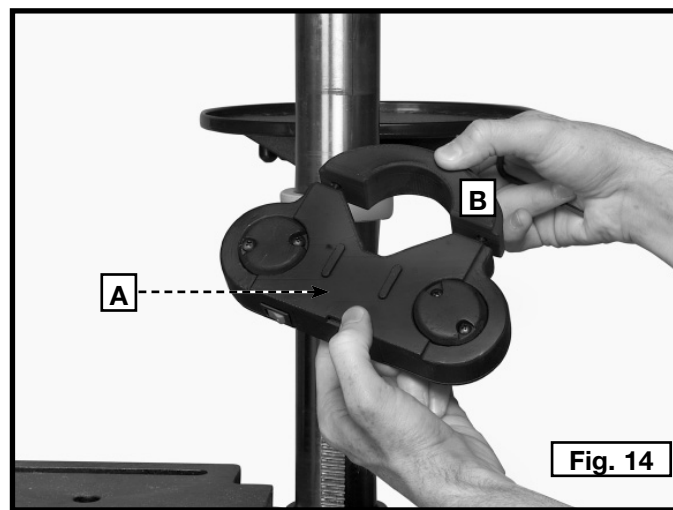


Fig. 13

# ENSAMBLADO DEL LÁSER

**⚠ PELIGRO** Lesiones oculares - Luz láser. No fije la vista en el rayo del láser o en el orificio, ni en un reflejo sobre superficies similares a un espejo.

12. Atornille la parte frontal de la caja del láser (A), Fig. 14, a la parte posterior de la caja del láser (B) sin ajustar excesivamente con los dos tornillos de cabeza troncocónica para enchufes (C) Fig. 14A inserción incluidos en el embalaje del láser.
13. Coloque este ensamblado de la caja del láser sobre la columna de la prensa de taladro (D) Fig. 14A inserción y apóyelo sobre el anillo (E), Fig. 14A.
14. Ajuste los tornillos (C) Fig. 14A inserción, asegurándose de que la caja del láser esté colocada de tal forma que haya un láser a cada lado de la columna (D) Fig. 14A.
15. Retire la cubierta de las baterías (F), Fig. 14CB de la caja del láser.
16. Conecte una batería de 9 voltios (G) (no incluida) en el terminal de la batería (H).
17. Coloque la batería en el compartimiento (I) y vuelva a colocar la cubierta.



18. Coloque la cabeza de la prensa de taladro (N), Fig. 15, en la columna (U). Alinee la cabeza (A), Fig. 15A, con la mesa (B) y la base (C). Ajuste los dos tornillos de bloqueo de la cabeza (O), Fig. 15, con la llave suministrada.
19. Enrosque los tres mangos del eje del piñón (P), Fig. 16, en los tres orificios roscados ubicados en el eje del piñón (S).

NOTA: Asegúrese de que el cono del eje (Q), Fig. 17, y el orificio roscado en el portabrocas (R) estén limpios y sin grasa, laca o recubrimientos para la prevención del óxido.

NOTA: El limpiador para hornos doméstico puede retirar eficazmente cualquier sustancia del eje y del portabrocas. Siga detenidamente las reglas de seguridad del fabricante en relación con su uso.

20. Abra las mordazas del portabrocas tanto como sea posible girando el manguito del portabrocas (N), Fig. 18. Sujete el portabrocas en el cono del eje y golpee suavemente con un mazo de goma (T) o un trozo de madera y un martillo para fijar el portabrocas (Fig. 18).

IMPORTANTE: Para evitar daños en el portabrocas, NO coloque el portabrocas en el eje con un martillo de metal.

## AFIANZANDO LA TALADRADORA DE BANCO A LA SUPERFICIE DE APOYO

Si durante la operación hay alguna tendencia para que la máquina incline encima, la diapositiva o la caminata en la superficie de soporte, la base de la máquina se debe asegurar a la superficie de soporte con un tornillo de la cabeza del carro de M8x1.25x125mm, arandela plana de 8.5mm, arandela de cerradura de 8.5mm, tuerca de tuerca hexagonal M8x1.25, a través de la Fig. 19 de dos agujeros (A), situada en la base de la máquina.

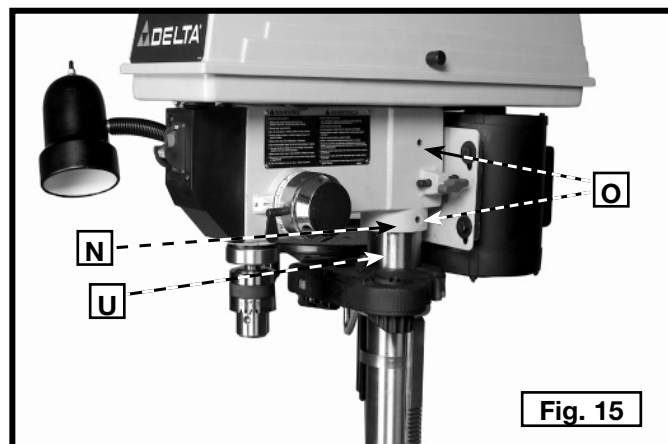


Fig. 15

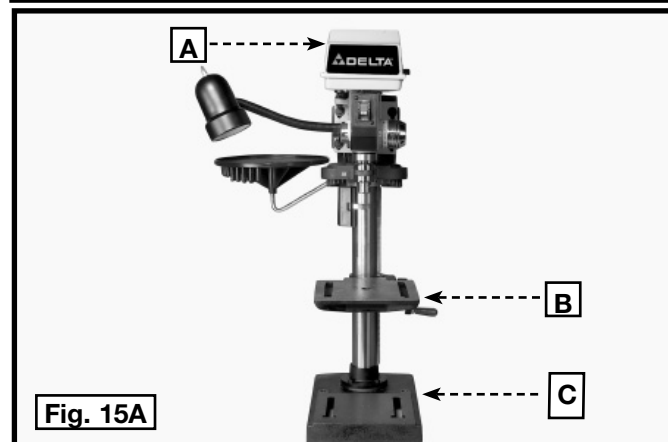


Fig. 15A

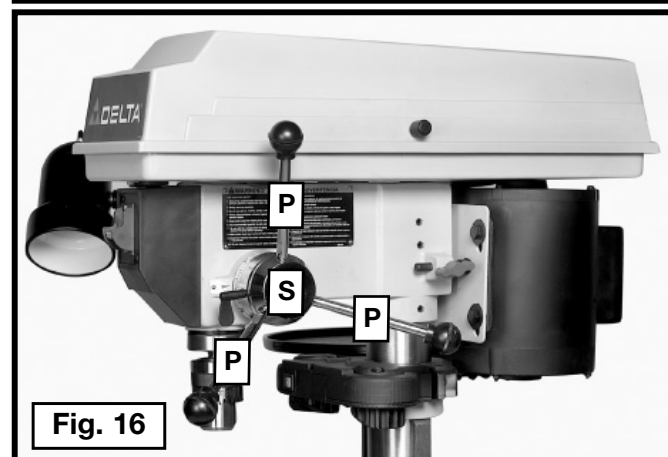


Fig. 16

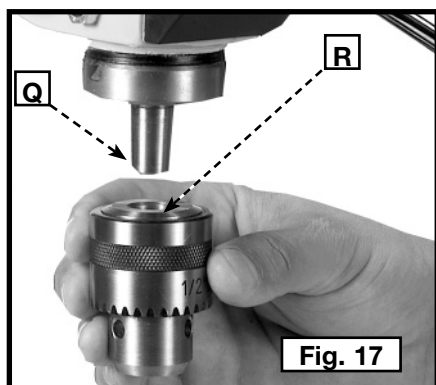


Fig. 17

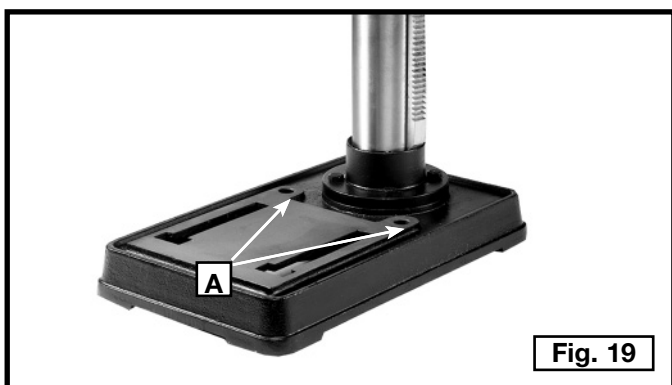


Fig. 19

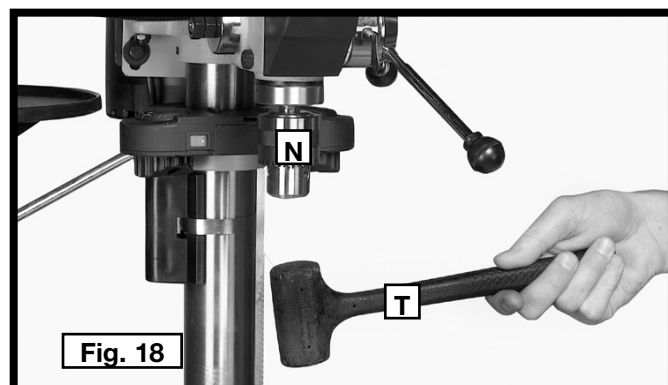


Fig. 18



# OPERACIÓN

## CONTROLES Y AJUSTES OPERACIONALES

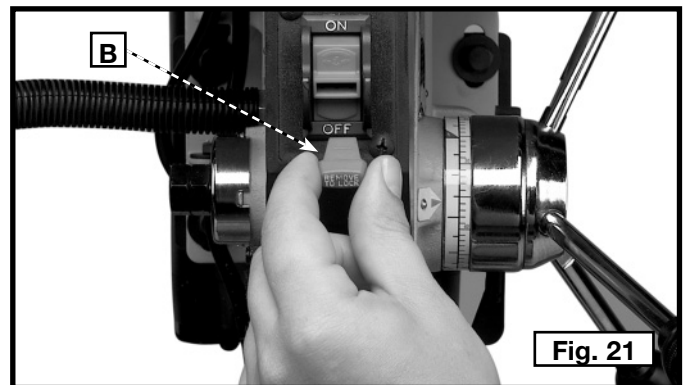
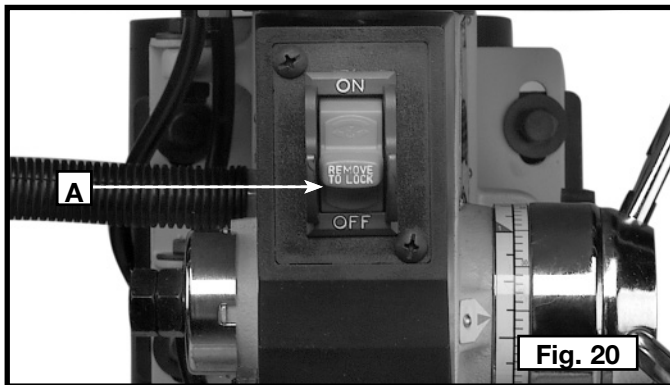
### ARRANCANDO Y DETENIENDO LA PRENSA PARA TALADRO DE BANCO

El interruptor de ENCENDIDO/APAGADO (A) Fig. 20 está localizado en la parte delantera del cabezal de la taladradora. Para ENCENDER la máquina, mueva el interruptor (A) a la posición elevada. Para APAGAR la máquina, mueva el interruptor (A) a la posición inferior.

**⚠ ADVERTENCIA** CERCÍOARSE QUE EL INTERRUPTOR ESTÁ EN EL “LEJOS” LA POSICIÓN ANTES DE CONECTAR LA CUERDA DEL PODER. EN CASO DE UN FALLO DEL SUMINISTRO ELÉCTRICO, MUEVA EL INTERRUPTOR AL “LEJOS” LA POSICIÓN. UNA COMPANIA NUEVA ACCIDENTAL PUEDE CAUSAR LA HERIDA.

### FIJANDO EL INTERRUPTOR EN LA POSICION DE APAGADO

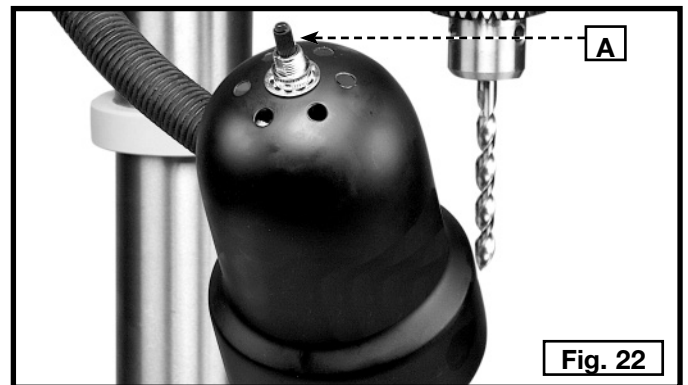
**IMPORTANTE:** Cuando la herramienta no es adentro uso, el interruptor se debe bloquear en el OFF posición para prevenir uso desautorizado. Esto puede hacerse tomando la pieza acodada (B) y removiéndolo por completo del interruptor, tal como se ilustra en la Fig. 21. El interruptor no funcionará sin la pieza acodada (B). No obstante, si se quita la pieza acodada mientras que la sierra está funcionando, ésta puede ser apagada una vez, pero no puede volver a arrancar sin la inserción de la pieza acodada (B).



### LÁMPARA FLEXIBLE

La lámpara flexible funciona independientemente de la taladro. Para encender y apagar la lámpara, gire el interruptor (A) Fig. 22.

**Para reducir el riesgo de incendio, utilice focos para reflectores sobre rieles de 40 vatios o menos y de 120 voltios (no incluidos). No debe utilizarse un foco doméstico estándar. El foco para reflectores sobre rieles no debe extenderse más allá de la pantalla de la lámpara.**

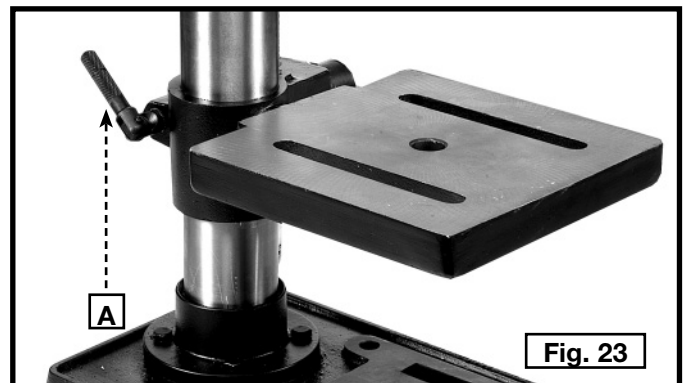


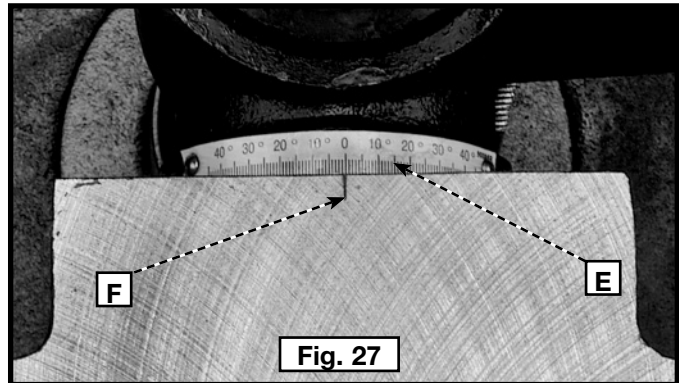
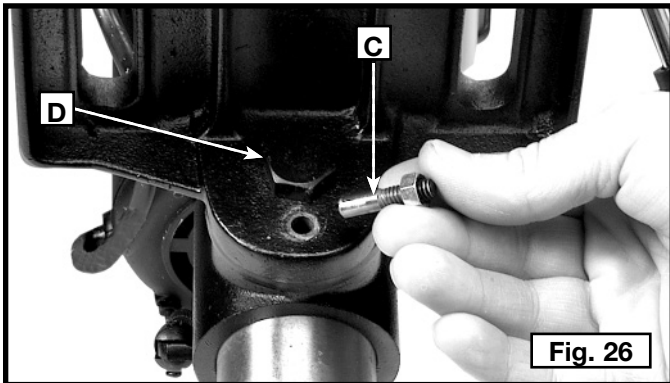
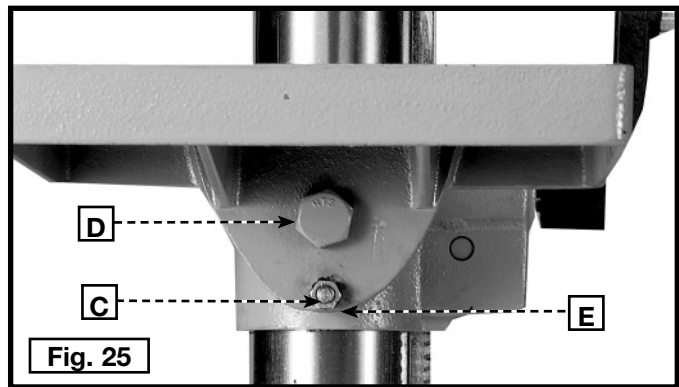
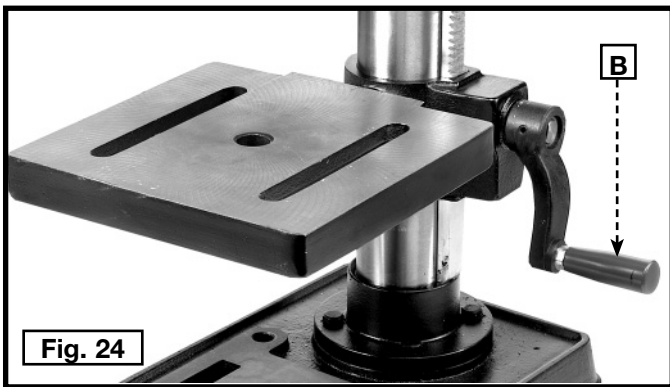
### AJUSTES DE LA MESA

1. La mesa puede ser elevada o bajada sobre la columna de la taladradora mediante el aflojado de la agarradera de abrazadera de mesa (A) Fig. 23, y virando la agarradera de elevación y bajado de mesa (B) Fig. 24. Después de que la mesa se encuentre a la altura deseada, apriete la agarradera (A) Fig. 23..

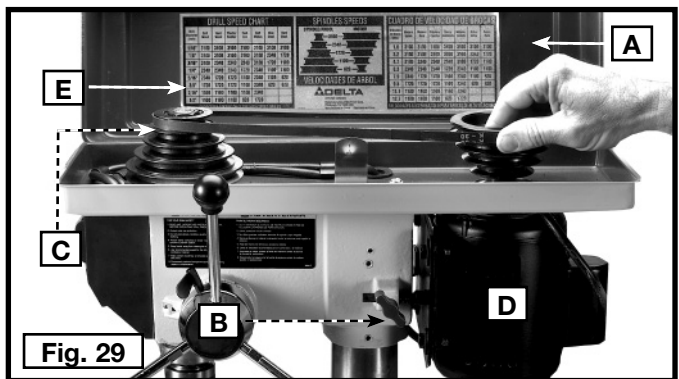
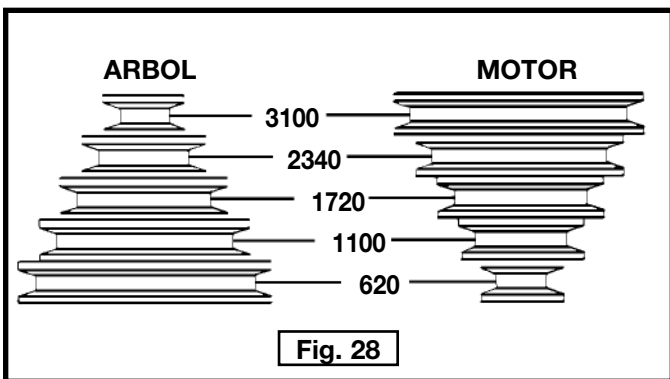
**NOTA:** Levante siempre (más bien que más bajo) la mesa a la posición final para permitir que los engranajes endienten y prevengan resbalamiento.

2. La mesa puede ser girada a 360 grados sobre la columna mediante el aflojamiento de la agarradera de la abrazadera (A) Fig. 23, girando la mesa a la posición deseada, y apretando la agarradera de abrazadera nuevamente (A).





3. La mesa puede inclinarse a la derecha o a la izquierda al extraer y quitar el pasador de alineamiento de la mesa (C) Fig. 25 y al aflojar el perno de cierre de la mesa (D). **NOTA:** Si se hace difícil la extracción del pasador (C), vire la tuerca (E) contra el sentido de las manecillas del reloj para extraer el pasador de la estructura. Incline la mesa al ángulo deseado y apriete el perno (D).
4. Cuando vaya a devolverla mesa a su posición nivelada, reponga el pasador de alineamiento de mesa (C) Fig. 26. Esto colocará la superficie de la mesa automáticamente a 90 grados del árbol. Vuelva a apretar el perno (D).
5. Se proporciona una escala de inclinación (E) Fig. 27 sobre la estructura del soporte de mesa para indicar los grados de inclinación. También se proporcionan una marca índice y marca de cero (F) para el alineamiento con la escala (E).



## VELOCIDADES DE ARBOL

Hay cinco velocidades de árbol disponibles con su tala-dradora: 620, 1100, 1720, 2340 y 3100 RPM. Vea la carta en fig. 28 para seleccionar la colocación correcta de la correa para su proyecto.

## CAMBIO DE VELOCIDADES Y AJUSTE DEL TENSIONAMIENTO DE CORREA

**NOTA:** Una carta de la velocidad (E) Fig. 29 está situada en la cubierta superior interior de la prensa del taladro.

**DESCONECTE LA MÁQUINA DE FUENTE DE ENERGÍA.**

1. Levante la correa y el protector de polea (A) Fig. 29.
2. Suelte la tensión de la correa aflojando la perilla de cierre de tensión (B) Fig. 29, articulando el motor hacia la parte delantera de la taladradora.
3. Sostenga el motor en esta posición y coloque la correa (c) en usted seleccionó velocidades según la carta en Fig. 28.
4. Mueva el motor a la parte posterior hasta que la correa tiene tensión apropiada.

**NOTA:** La correa debe estar sólo lo suficientemente apretada como para impedir el deslizamiento. La tensión excesiva reducirá la vida de la correa, las poleas y los cojinetes. Se obtiene la tensión correcta cuando la correa (C) puede ser flexionada unas 2.5 cm fuera de la línea entre medio de las poleas, utilizando presión ligera con los dedos.

5. Apriete la perilla de la cerradura de la tensión.

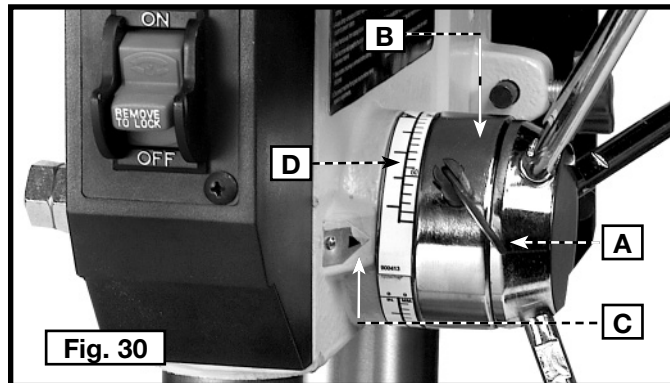
## PERFORACION DE AGUJEROS A PROFUNDIDAD

En dónde deben taladrarse un número de agujeros exactamente ala misma profundidad, las tuercas de parada en la vara de parada fileteada se utilizan en la siguiente forma:

### DESCONECTE LA MÁQUINA DE FUENTE DE ENERGÍA.

1. Inserte el pedacito en tirada.
2. Baje el huso hasta del indicador (C) Fig. 30, se alinea con la marca en la escala (D).
3. Entonces apriete el tornillo de la cerradura (A).
4. Vuelva el huso a la posición ascendente.
5. Ponga el material que se perforará en la tabla de la prensa del taladro. Levante la tabla de la prensa del taladro hasta que el material para ser tactos justos perforados el pedacito de taladro.
6. Perfore un agujero de la prueba para comprobar el ajuste.

**NOTA:** La escala (D) está calibrada en pulgadas y los milímetros.



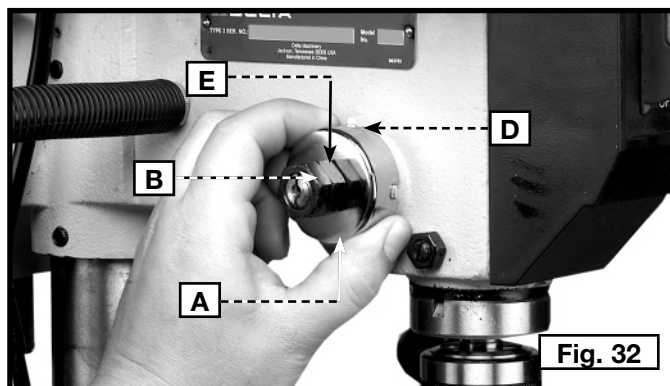
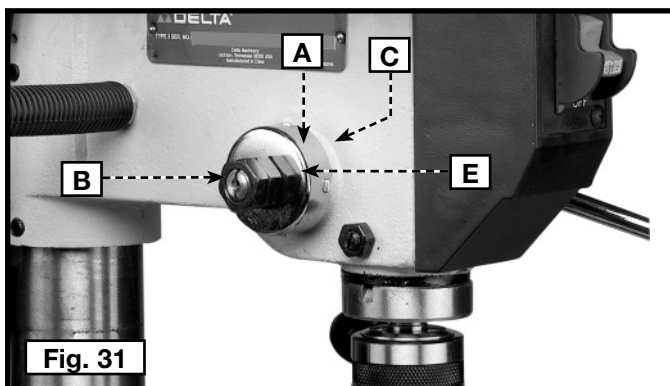
## AJUSTE DEL RESORTE DE RETORNO DEL ARBOL

El arbol volverá automáticamente lentamente a su posición superior cuando se lanza la manija. El resorte de vuelta del arbol fue ajustado correctamente en la fábrica. Sin embargo, ajustar, en caso de necesidad:

### DESCONECTE LA MÁQUINA DE FUENTE DE ENERGÍA.

1. Afloje los dos tornillos (B) Fig. 31 aproximadamente 1/4 pulg. No quite las tuercas (B) del eje (C).
2. Mientras que detiene con firmeza el alojamiento del resorte (A) Fig. 32, tire del alojamiento y gñelo hasta que el cubo (D) esté engranado con la próxima muesca en el alojamiento. Vire el alojamiento en el sentido contrario alas manecillas del reloj para aumentar, y en sentido de las manecillas del reloj para reducir la tensión del resorte. Apriete entonces las dos tuercas (B) para sujetar el alojamiento en su sitio.

**IMPORTANTE:** La tuerca interior (E) no debe entrar en contacto con la cubierta del resorte (A) cuando está apretada.



# AJUSTE DEL LÁSER

**⚠ ADVERTENCIA** Desconecte la máquina de la fuente de energía.

**⚠ ADVERTENCIA** Luz láser. No fije la vista en el rayo, en el orificio o en un reflejo sobre superficies similares a un espejo.

## CÓMO COLOCAR LOS LÁSERES EN PARALELO

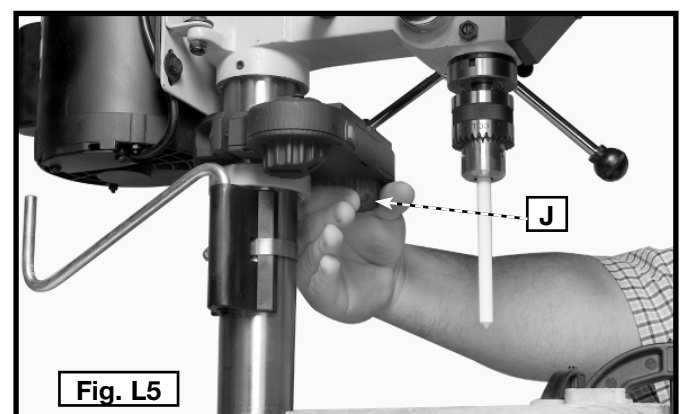
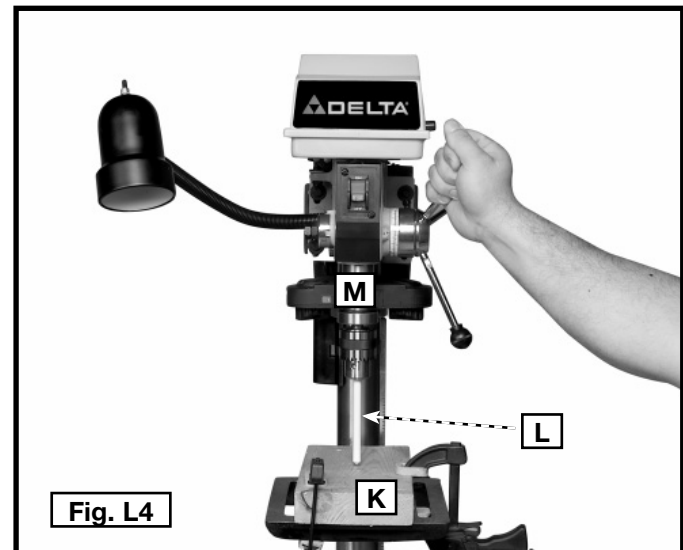
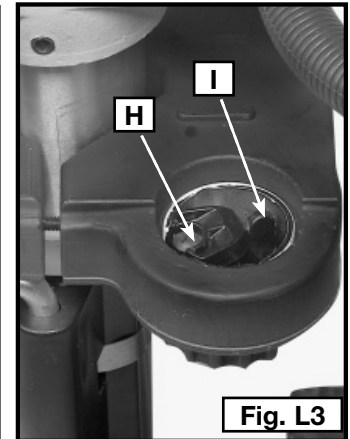
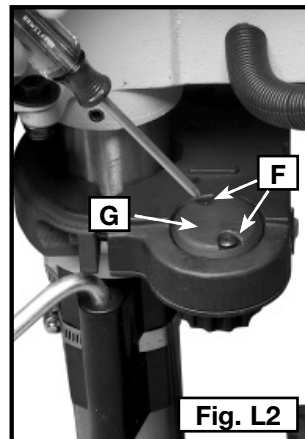
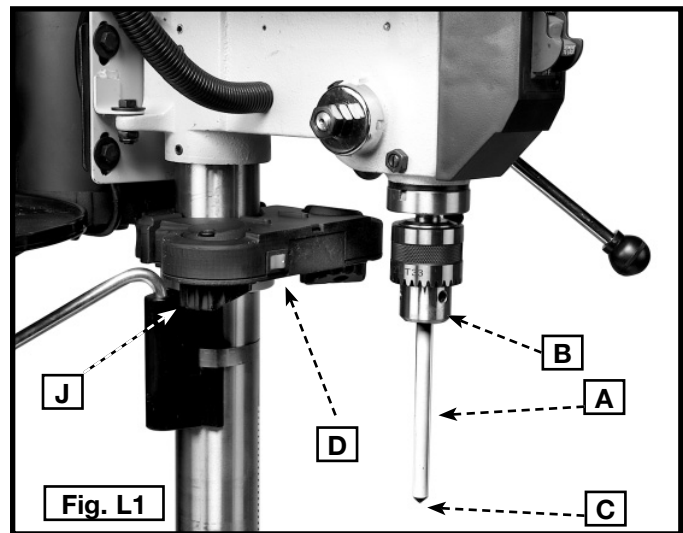
1. Instale la clavija de alineación (A) en el portabrocas (B). Asegúrese de que el extremo de punta (C) de la clavija de alineación esté hacia abajo, como se muestra en la Fig. L1. La línea negra trazada debe estar frente al láser izquierdo como se muestra.
2. Encienda el láser utilizando el interruptor (D) en la parte frontal de la caja del láser.
3. Con un destornillador de cabeza Phillips, quite los dos tornillos (F) y la tapa (G) encima de la parte izquierda de la caja del láser.
4. Suelte el tornillo de fijación del láser (H), Fig. L3.
5. Mueva la palanca láser (I), Fig. L3; de modo que el láser brille en la clavija de alineación. Ajuste la palanca (I) hasta que el láser esté paralelo a la línea negra.

NOTA: posiblemente sea necesario mover el sujetador del láser (J), Fig. L1, para que el láser brille en la clavija de alineación. Una vez que la luz esté en la clavija, ajuste el láser con la palanca (I).

6. Cuando el láser esté configurado, ajuste el tornillo de fijación del láser (H), Fig. L3. A continuación, vuelva a colocar la tapa (G), Fig. L2, y ajuste sin excesiva firmeza los dos tornillos (F).
7. Repita el procedimiento para el lado derecho.

## CÓMO INTERSECTAR LOS LÁSERES

1. Coloque una pieza de madera (K), Fig. L4, en la mesa y fíjela en su lugar con abrazaderas.
2. Gire la broca (M) hacia abajo y realice una mella en la madera con el perno de alineación (L) Fig. L4.
3. Encienda el láser y ajuste los rayos de modo que crucen ese punto girando el sujetador del láser (J), Fig. L5.
4. Verifique si los láseres se alinean en alturas diferentes elevando o bajando la mesa, realizando una nueva mella y encendiendo los láseres para verificar si se cruzan en la mella. Si el láser no está alineado en alturas diferentes, se debe volver a ajustar el ajuste en paralelo.
5. Una vez ajustados los láseres, ajuste los tornillos en cada lado de la caja del láser, dos de ellos se muestran en (F), Fig. L2.



## UTILIZAR LA MAQUINA

El uso de accesorios y conexiones no recomendadas por DELTA puede resultar en el riesgo de lesionamiento.

**IMPORTANTE:** Cuando el material Fig. 33 es lo suficientemente largo, debe ser colocado siempre sobre la mesa con un extremo contra la columna (B) para evitar que el objeto rote. Si no resulta posible apoyar el material de trabajo contra la columna, deben utilizarse abrazaderas o un tornillo de banco para sujetar el material contra la mesa.

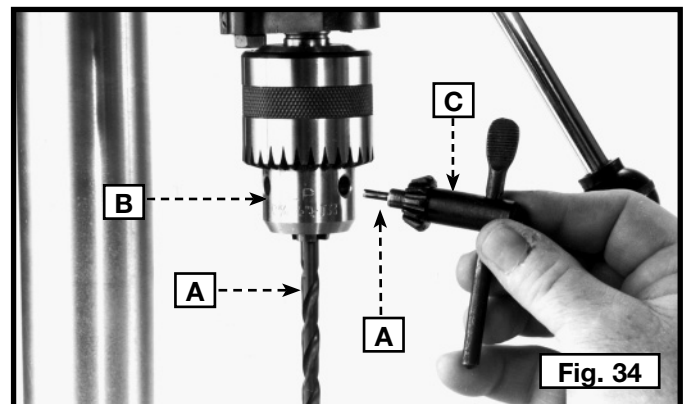
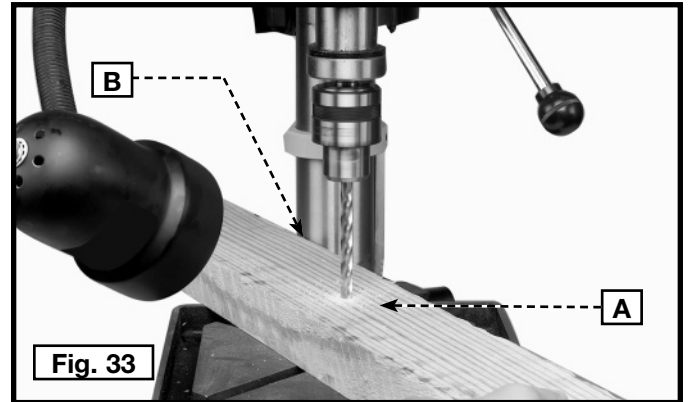
**NOTA:** Utilice material descartado para practicar y acostumbrarse a la máquina antes de intentar tareas regulares.

### INSTALACION Y EXTRACCION DE BROCAS

NOTA: Su taladradora debe utilizarse con brocas de 1/2 pulg. de diámetro o menos.

#### DESCONECTE LA MÁQUINA DE FUENTE DE ENERGÍA.

1. Inserte la broca (A) Fig. 34 dentro del mandrino (B) por lo que irá y entonces mueva hacia atrás el pedacito fuera del 1/16" (o hasta las flautas para los pedacitos pequeños).
2. Asegúrese que la broca (A) Fig. 34 esté centrada dentro del mandrino (B) antes de apretar el mandrino con la llave (C).
3. Gire la llave del mandrino (C) Fig. 34 en el sentido de las manecillas del reloj para apretar las mandíbulas del mandrino, y en el sentido contrario para aflojarlas.
4. Apriete las tres mandíbulas del mandrino para asegurar la broca lo suficiente como para que no se deslice durante el taladrado.
5. **ASEGURESE** que la llave del mandrino (C) Fig. 34 haya sido quitada del mandrino antes de arrancar la taladradora. Su llave de mandrino (C) está equipada con un pasador autoexpulsador (D) que elimina el riesgo de olvidar que la llave se encuentra aún en el mandrino.



**⚠ PRECAUCIÓN** NO ATE CON UNA CORREA LA LLAVE DEL PORTABROCAS A LA HERRAMIENTA. EL CABLE PUEDE ENREDARSE Y EL PORTABROCAS PUEDE SALIR DISPARADO HACIA EL USUARIO, O LA HERRAMIENTA PUEDE DAÑARSE.

### VELOCIDADES QUE PERFORAN CORRECTAS

Los factores que determinan la mejor velocidad para utilizar son: clase de material que es trabajado, de tamaño del agujero, de tipo del taladro o del otro cortador, y de calidad del corte deseada.

Utilice la velocidad recomendada para el material del pedacito y del objeto de la prensa del taladro.

## **PERFORACION DE MADERAS**

Las brocas espirales, aunque estén diseñadas para la perforación de metales, pueden ser utilizadas también para el taladrado de agujeros en la madera. No obstante, se prefiere por lo general el uso de brocas de espuela maquinadas para la perforación de madera, ya que cortan un agujero de fondo cuadrado y están diseñadas para la extracción de astillas de madera. No utilice las brocas de mano con punta de tornillo, ya que a las velocidades de la taladradora, viran en la madera con tanta rapidez que levantan el material de la mesa con acción de remolino.

Para el taladrado en pasada, debe alinear la mesa para que la broca entre en el agujero central, evitando así el daño. Trace una línea vertical en la parte delantera de la columna y una marca de referencia sobre el soporte de la mesa, de modo que la mesa pueda ser abrazada en la posición central a cualquier altura.

Alimente lentamente cuando la broca esté a punto de cortar a través de la madera para impedir el astillamiento de la cara inferior. Utilice un pedazo de madera descartada para formar una base de bloque debajo del material. Esto ayuda a reducir el astillamiento y protege la punta de la broca.

## **PERFORACION DE METALES**

Utilice abrazaderas para sujetar el material durante la perforación de metales. El material jamás debe ser sujetado con la mano solamente, ya que los bordes de la taladradora puede atrapar el material en cualquier momento, particularmente cuando se rompe a través del material. Si el material se escapa de la mano del operario, este último puede resultar lesionado. En todo caso, la taladradora quedará averiada cuando el material se golpee contra la columna.

El material debe ser sujetado con firmeza durante la perforación. Cualquier inclinamiento, torcedura o cambio repentino tiene como resultado no sólo un agujero rudimentario, sino que aumenta el daño a la taladradora. Para materiales planos, coloque el material sobre una base de madera y abrácela firmemente contra la mesa para impedir que dé vueltas. Si el material es de forma irregular y no puede colocarse de manera plana sobre la mesa, debe ser bloqueado de manera segura y abrazada.

# LOCALIZACION DE FALLAS

Para obtener asistencia para su máquina, visite nuestro sitio Web en [www.deltamachinery.com](http://www.deltamachinery.com) para tener acceso a una lista de centros de servicio o llame a la línea de ayuda de Delta Machinery al 1-800-223-7278. (En Canadá, llame al 1-800-463-3582.)

# MANTENIMIENTO

## MANTENGA LA MÁQUINA LIMPIA

Periódicamente sople por todas las entradas de aire con aire comprimido seco. Todas las piezas de plástico deben limpiarse con un paño suave y húmedo. NUNCA utilice solventes para limpiar las piezas de plástico. Podrían derretirse o dañar el material.

**▲ ADVERTENCIA** UTILICE EQUIPO DE SEGURIDAD CERTIFICADO PARA PROTEGER SUS OJOS, OÍDOS Y VÍAS RESPIRATORIAS CUANDO USE AIRE COMPRIMIDO.

## FALLA EN EL ENCENDIDO

Si la máquina no enciende, verifique que las patas del enchufe del cable hagan buen contacto en el tomacorriente. Además, revise que no hayan fusibles quemados o interruptores automáticos de circuito abierto en la línea.

## LUBRICACIÓN Y PROTECCIÓN CONTRA ÓXIDO

Aplique semanalmente cera en pasta para pisos a la mesa de la máquina y a la extensión u otra superficie de trabajo. También puede usar productos protectores disponibles en comercios y diseñados con este propósito. Siga las instrucciones del fabricante para su uso y seguridad.

Para limpiar el óxido de las mesas de hierro fundido, necesitará los siguientes materiales: 1 bloque de empuje de empalmadora, 1 hoja de Almohadilla Manual para Matizado mediana Scotch-Brite™, 1 lata de WD-40® y 1 lata de desgrasador. Aplique el WD-40 y pule la superficie de la mesa con la almohadilla Scotch-Brite utilizando el bloque de empuje como sujeción. Desgrase la mesa y luego aplique el producto protector como se muestra más arriba.

# SERVICIO

## PIEZAS DE REPUESTO

Utilice sólo piezas de repuesto idénticas. Para obtener una lista de piezas o para solicitar piezas, visite nuestro sitio web en [servicenet.deltamachinery.com](http://servicenet.deltamachinery.com). También puede solicitar piezas en nuestro centro más cercano, o llamando a nuestro Centro de atención al cliente al 1-800-223-7278 para obtener asistencia personalizada de nuestros técnicos capacitados.

con garantía autorizado, visite nuestro sitio web en [www.deltamachinery.com](http://www.deltamachinery.com) o llame a nuestro Centro de atención al cliente al 1-800-223-7278. Todas las reparaciones realizadas por nuestros centros de mantenimiento están completamente garantizadas en relación con los materiales defectuosos y la mano de obra. No podemos otorgar garantías en relación con las reparaciones ni los intentos de reparación de otras personas.

## MANTENIMIENTO Y REPARACIONES

Con el paso del tiempo, todas las herramientas de calidad requieren mantenimiento o reemplazo de las piezas. Para obtener información acerca de Delta Machinery, sus sucursales propias o un Centro de mantenimiento

También puede escribirnos solicitando información a Delta Machinery, 4825 Highway 45 North, Jackson, Tennessee 38305 - Mantenimiento de productos. Asegúrese de incluir toda la información mencionada en la placa de la herramienta (número de modelo, tipo, número de serie, etc.)

# ACCESORIOS

Una línea completa de accesorios está disponible de su surtidor de Porter-Cable • Delta, centros de servicio de la fábrica de Porter-Cable • Delta, y estaciones autorizadas delta. Visite por favor nuestro Web site [www.deltamachinery.com](http://www.deltamachinery.com) para un catálogo o para el nombre de su surtidor más cercano.

**▲ ADVERTENCIA** PUESTO QUE LOS ACCESORIOS CON EXCEPCIÓN DE ÉSOS OFRECIDOS POR DELTA NO SE HAN PROBADO CON ESTE PRODUCTO, EL USO DE TALES ACCESORIOS PODRÍA SER PELIGROSO. PARA LA OPERACIÓN MÁS SEGURA, SOLAMENTE EL DELTA RECOMENDÓ LOS ACCESORIOS SE DEBE UTILIZAR CON ESTE PRODUCTO.

# GARANTIA

Para registrar la herramienta para obtener el mantenimiento cubierto por la garantía de la herramienta, visite nuestro sitio web en [www.deltamachinery.com](http://www.deltamachinery.com).

## Garantía limitada de dos años para productos nuevos

Delta reparará o reemplazará, a expensas y opción propias, cualquier máquina nueva, pieza de máquina nueva o accesorio de máquina nuevo Delta que durante el uso normal haya presentado defectos de fabricación o de material, siempre que el cliente devuelva el producto con el transporte prepago a un centro de servicio de fábrica Delta o una estación de servicio autorizado Delta, con un comprobante de compra del producto, dentro del plazo de dos años y dé a Delta una oportunidad razonable de verificar el supuesto defecto mediante la realización de una inspección. Para todos los productos Delta reacondicionados, el período de garantía es de 180 días. Delta podrá requerir que los motores eléctricos sean devueltos con el transporte prepago a una estación autorizada de un fabricante de motores para ser sometidos a inspección y reparación o para ser reemplazados. Delta no será responsable de ningún defecto alegado que haya resultado del desgaste normal, uso indebido, abuso o reparación o alteración realizada o autorizada específicamente por alguien que no sea un centro de servicio autorizado Delta o un representante autorizado Delta. Delta no será responsable en ninguna circunstancia de los daños incidentales o emergentes que se produzcan como resultado de productos defectuosos. Esta garantía es la única garantía de Delta y establece el recurso exclusivo del cliente en lo que respecta a los productos defectuosos; Delta rechaza expresamente todas las demás garantías, expresas o implícitas, tanto de comerciabilidad como de idoneidad para un propósito o de cualquier otro tipo.



# Perceuse à colonne de table de 30,5 cm (12 po) (guidée par laser) (Modèle DP300L)

MANUEL D'UTILISATION



No. de pièce A14210 - 10-27-05 Rev. B  
Copyright © 2005 Delta Machinery

 **DELTA**<sup>®</sup>

Pour apprendre plus de la MACHINERIE DE DELTA  
visitez notre site web à: [www.deltamachinery.com](http://www.deltamachinery.com).

Pour les Parties, le Service, la Garantie ou l'autre Assistance,

s'il vous plaît appeler **1-800-223-7278** (Dans l'appel de Canada **1-800-463-3582**).

**ENGLISH: PAGE 1**  
**ESPAÑOL: PÁGINA 21**

# LES INSTRUCTIONS IMPORTANTES DE SURETE

**⚠ AVERTISSEMENT** LIRE ET COMPRENDRE TOUTES INSTRUCTIONS D'AVERTISSEMENTS ET OPERATION AVANT D'UTILISER N'IMPORTE QUEL OUTIL OU N'IMPORTE QUEL EQUIPEMENT. EN UTILISANT LES OUTILS OU L'EQUIPEMENT, LES PRECAUTIONS DE SURETE FONDAMENTALES TOUJOURS DEVRAIENT ETRE SUIVIES POUR REDUIRE LE RISQUE DE BLESSURE PERSONNELLE. L'OPERATION DEPLACÉE, L'ENTRETIEN OU LA MODIFICATION D'OUTILS OU D'EQUIPEMENT ONT POUR RESULTAT LA BLESSURE SERIEUX ET LES DOMMAGES DE PROPRIÉTÉ. IL Y A DE CERTAINES APPLICATIONS POUR LEQUEL OUTILS ET L'EQUIPEMENT SONT CONÇUS. LA PORTER-CABLE RECOMMANDE AVEC FORCE QUE CE PRODUIT N'AIT PAS MODIFIÉ ET/OU UTILISÉ POUR L'APPLICATION AUTREMENT QUE POUR LEQUEL IL A ÉTÉ CONÇU.

Si vous avez n'importe quelles questions relatives à son application n'utilisent pas le produit jusqu'à ce que vous avez écrit Porter-Cable et nous vous avons conseillé.

La forme en ligne de contact à [www.porter-cable.com](http://www.porter-cable.com)

Courrier Postal: Technical Service Manager  
Delta Machinery  
4825 Highway 45 North  
Jackson, TN 38305

Information en ce qui concerne l'opération sûre et correcte de cet outil est disponible des sources suivantes:

Power Tool Institute

1300 Sumner Avenue, Cleveland, OH 44115-2851

[www.powertoolinstitute.org](http://www.powertoolinstitute.org)

National Safety Council

1121 Spring Lake Drive, Itasca, IL 60143-3201

American National Standards Institute, 25 West 43rd Street, 4 floor, New York, NY 10036 [www.ansi.org](http://www.ansi.org) ANSI 01.1 Safety Requirements for Woodworking Machines, and the U.S. Department of Labor regulations [www.osha.gov](http://www.osha.gov)

## MESURES DE SÉCURITÉ - DÉFINITIONS

Ce guide contient des renseignements importants que vous deviez bien saisir. Cette information porte sur **VOTRE SÉCURITÉ** et sur **LA PRÉVENTION DE PROBLÈMES D'ÉQUIPEMENT**. Afin de vous aider à identifier cette information, nous avons utilisé les symboles ci-dessous. Veuillez lire attentivement ce guide en portant une attention particulière à ces sections.

**⚠ DANGER** Indique un danger imminent qui, s'il n'est pas évité, causera de graves blessures ou la mort.

**⚠ AVERTISSEMENT** Indique la possibilité d'un danger qui, s'il n'est pas évité, pourrait causer de graves blessures ou la mort.

**⚠ ATTENTION** Indique la possibilité d'un danger qui, s'il n'est pas évité, peut causer des dommages à la propriété.

**ATTENTION** Sans le symbole d'alerte. Indique la possibilité d'un danger qui, s'il n'est pas évité, peut causer des dommages; mineurs ou moyennes.

### LA PROPOSITION DE CALIFORNIE 65

**⚠ AVERTISSEMENT** LA POUSSIÈRE PRODUITE PAR LE PONÇAGE ÉLECTRIQUE LE SCIAGE, LE MEULAGE, LE PERÇAGE ET AUTRES ACTIVITÉS DE CONSTRUCTION PEUT CONTENIR DES PRODUITS CHIMIQUES QUI SONT RECONNUS, PAR L'ÉTAT DE LA CALIFORNIE, DE CAUSER LE CANCER, LES ANOMALIES CONGÉNITALES OU AUTRES MAUX DE REPRODUCTION. CES PRODUITS CHIMIQUES COMPRENNENT, ENTRE AUTRES :

- le plomb provenant des peintures à base de plomb;
- la silice cristalline provenant de briques, de béton ou d'autres produits de maçonnerie
- l'arsenic et le chrome provenant du bois de charpente traité chimiquement

Le risque d'exposition à ces produits dépend de la fréquence d'exécution de ce genre de travaux. Afin de réduire l'exposition à ces produits chimiques, travaillez dans un endroit bien aéré et utilisez de l'équipement de sécurité approuvé, portez toujours un masque facial ou respirateur homologué **MSHA/NIOSH** bien ajusté lorsque vous utilisez de tels outils.

**CONSERVEZ CES INSTRUCTIONS!**

# RÈGLES DE SÉCURITÉ GÉNÉRALES



**AVERTISSEMENT** Lisez le Guide de l'utilisateur. Ne tentez pas d'utiliser cet appareil avant d'avoir lu les directives sur la *sécurité, l'assemblage, l'utilisation et l'entretien* de ce Guide de l'utilisateur.

## **AVERTISSEMENT** L'INOBSERVATION DE CES RÈGLES PEUT CONDUIRE À DES BLESSURES GRAVES.

- 1. POUR SA SECURITE PERSONNELLE, LIRE LA NOTICE D'UTILISATION, AVANT DE METTRE LA MACHINE EN MARCHÉ,** et pour aussi apprendre l'application et les limites de la machine ainsi que les risques qui lui sont particuliers ainsi, les possibilités d'accident et de blessures seront beaucoup réduites.
- 2. PORTEZ DES DISPOSITIFS DE PROTECTION DES YEUX ET DE L'OUÏE. UTILISEZ TOUJOURS DES LUNETTES DE SÉCURITÉ.** Des lunettes ordinaires ne constituent PAS des lunettes de sécurité. **UTILISEZ DES ÉQUIPEMENTS DE SÛRETÉ HOMOLOGUÉS.** Les dispositifs de protection des yeux doivent être conformes aux normes ANSI Z87.1. Les dispositifs de protection de l'ouïe doivent être conformes aux normes ANSI S3.19.
- 3. PORTER UNE TENUE APPROPRIÉE.** Pas de cravates, de gants, ni de vêtements amples. Enlever montre, bagues et autres bijoux. Rouler les manches. Les vêtements ou les bijoux qui se trouvent pris dans les pièces mobiles peuvent entraîner des blessures.
- 4. NE PAS UTILISER LA MACHINE DANS UN ENVIRONNEMENT DANGEREUX.** L'utilisation d'outils électriques dans des endroits humides ou sous la pluie peut entraîner des décharges électriques ou une électrocution. Garder la zone de travail bien éclairée pour éviter de trébucher ou d'exposer les doigts, les mains ou les bras à une situation dangereuse.
- 5. GARDER LES OUTILS ET LES MACHINES EN PARFAIT ÉTAT.** Garder les outils affûtés et propres afin d'obtenir le meilleur et le plus sûr rendement. Suivre les instructions pour lubrifier et changer les accessoires. Les outils et les machines mal entretenus peuvent se dégrader davantage, et/ou entraîner des blessures.
- 6. INSPECTER LES PIÈCES POUR DÉCELER TOUT DOMMAGE.** Avant d'utiliser la machine, la vérifier pour voir s'il n'y a pas de pièces endommagées. Vérifier l'alignement des pièces mobiles et si ces pièces ne se coincent pas, la rupture de pièces, ou toute autre condition pouvant en affecter le fonctionnement. Toute pièce ou protecteur endommagé doit être réparé ou remplacé. Les pièces endommagées peuvent dégrader davantage la machine et/ou entraîner des blessures.
- 7. GARDER L'AIRE DE TRAVAIL PROPRE.** Les zones et établis encombrés favorisent les accidents.
- 8. GARDER LES ENFANTS ET LES VISITEURS À DISTANCE.** L'atelier est un lieu potentiellement dangereux. Les enfants et les visiteurs peuvent se blesser.
- 9. ÉVITER LE DÉMARRAGE ACCIDENTEL.** S'assurer que l'interrupteur est sur « OFF » (ARRÊT) avant de brancher le cordon. En cas de coupure de courant, placer l'interrupteur à la position « OFF » (ARRÊT). Un démarrage accidentel peut entraîner des blessures.
- 10. UTILISER LES DISPOSITIFS PROTECTEURS.** Vérifier que tous les dispositifs protecteurs sont bien en place, bien fixés et en bon état de marche pour éviter les blessures.
- 11. ENLEVER LES CLÉS DE RÉGLAGE ET CELLES DE SERRAGE AVANT DE METTRE LA MACHINE EN MARCHÉ.** Les outils, les chutes et les autres débris peuvent être projetés violemment et blesser.
- 12. UTILISER LA BONNE MACHINE.** Ne pas forcer la machine ou l'accessoire à faire un travail pour lequel il n'a pas été conçu. Des dommages à la machine et/ou des blessures pourraient s'ensuivre.
- 13. UTILISER LES ACCESSOIRES RECOMMANDÉS.** L'utilisation d'accessoires non recommandés par Delta peut endommager la machine et blesser l'utilisateur.
- 14. UTILISER LE CORDON PROLONGATEUR APPROPRIÉ.** S'assurer que le cordon prolongateur est en bon état. Lorsqu'un cordon prolongateur est utilisé, s'assurer que celui-ci est d'un calibre suffisant pour l'alimentation nécessaire à la machine. Un cordon d'un calibre insuffisant entraînera une perte de tension d'où une perte de puissance et surchauffe. Voir le tableau sur les cordons prolongateurs pour obtenir le calibre approprié selon la longueur du cordon et l'ampérage de la machine. S'il y a un doute, utiliser un cordon d'un calibre supérieur. Plus le chiffre est petit, plus le fil est gros.
- 15. FIXER LA PIÈCE.** Utilisez les brides ou l'étau quand vous ne pouvez pas fixer l'objet sur la table et contre la barrière à la main ou quand votre main sera dangereusement près de la lame (à moins de 6").
- 16. AVANCER LA PIÈCE DANS LE SENS CONTRAIRE À LA ROTATION DE LA LAME, DE LA FRAISE OU DE LA SURFACE ABRASIVE.** L'alimentation dans l'autre sens peut entraîner une projection violente de la pièce.
- 17. NE PAS FORCER LA MACHINE EN AVANÇANT LA PIÈCE TROP VITE.** Des dommages et/ou des blessures peuvent s'ensuivre.
- 18. NE PAS SE PENCHER AU-DESSUS DE LA MACHINE.** Une perte de l'équilibre peut entraîner une chute sur la machine en marche et causer des blessures.
- 19. NE JAMAIS MONTER SUR LA MACHINE.** On peut se blesser gravement si la machine bascule ou si l'on touche accidentellement son outil tranchant.
- 20. NE JAMAIS LAISSER LA MACHINE EN MARCHÉ SANS SURVEILLANCE. COUPER LE COURANT.** Ne pas quitter la machine tant qu'elle n'est pas complètement arrêtée. Un enfant ou un visiteur pourrait se blesser.
- 21. METTRE LA MACHINE À L'ARRÊT « OFF » ET LA DÉBRANCHER** avant d'installer ou d'enlever des accessoires, d'ajuster ou de changer des montages, ou lors des réparations. Un démarrage accidentel peut entraîner des blessures.
- 22. METTRE L'ATELIER À L'ABRI DES ENFANTS AU MOYEN DE CADENAS, D'INTERRUPTEURS PRINCIPAUX OU EN ENLEVANT LES BOUTONS DES DISPOSITIFS DE MISE EN MARCHÉ.** Le démarrage accidentel de la machine par un enfant ou un visiteur peut entraîner des blessures.
- 23. RESTER VIGILANT, ATTENTIF, ET FAIRE PREUVE DE BON SENS. NE PAS UTILISER LA MACHINE LORSQUE L'ON EST FATIGUÉ OU SOUS L'INFLUENCE DE DROGUES, D'ALCOOL OU DE MÉDICAMENTS.** Un instant d'inattention lors de l'utilisation d'outils électriques peut entraîner des blessures graves.
- 24. AVERTISSEMENT** L'UTILISATION DE CET OUTIL PEUT PRODUIRE ET DISPERSER DE LA POUSSIÈRE OU D'AUTRES PARTICULES EN SUSPENSION DANS L'AIR, TELLES QUE LA SCIURE DE BOIS, LA POUSSIÈRE DE SILICIUM CRISTALLIN ET LA POUSSIÈRE D'AMIANTE. Dirigez les particules loin du visage et du corps. Faites toujours fonctionner l'outil dans un espace bien ventilé et prévoyez l'évacuation de la poussière. Utilisez un système de dépolluissage chaque fois que possible. L'exposition à la poussière peut causer des problèmes de santé graves et permanents, respiratoires ou autres, tels que la silicose (une maladie pulmonaire grave) et le cancer, et même le décès de la personne affectée. Évitez de respirer de la poussière et de rester en contact prolongé avec celle-ci. En laissant la poussière pénétrer dans vos yeux ou votre bouche, ou en la laissant reposer sur votre peau, vous risquez de promouvoir l'absorption de substances toxiques. Portez toujours des dispositifs de protection respiratoire homologués par NIOSH/OSHA, appropriés à l'exposition à la poussière et de taille appropriée, et lavez à l'eau et au savon les surfaces de votre corps qui ont été exposées.

# RÈGLES SPÉCIFIQUES ADDITIONNELLES DE SÛRETÉ

**▲ AVERTISSEMENT** RISQUE D'OPÉRATION PEU SÛRE. L'inobservation de ces règles peut conduire à des blessures graves.

- NE PAS FAIRE FONCTIONNER CETTE MACHINE AVANT QU'ELLE NE SOIT ENTIÈREMENT ASSEMBLÉE ET INSTALLÉE CONFORMÉMENT À CES DIRECTIVES.** Une machine mal assemblée peut provoquer des blessures graves.
- DEMANDER CONSEIL** à un superviseur, instructeur, ou toute autre personne qualifiée si vous ne maîtrisez pas parfaitement l'utilisation de cette machine. La connaissance est synonyme de sécurité.
- SUIVRE TOUS LES CODES DE CÂBLAGE** et les connexions électriques recommandées afin d'éviter tout choc électrique ou électrocution.
- FIXER LA MACHINE SUR UNE SURFACE DE SUPPORT.** Les vibrations sont susceptibles de faire glisser, « marcher », ou basculer la machine.
- NE JAMAIS DÉMARRER LA MACHINE AVANT DE RETIRER DE LA TABLE** tout objet (outils, morceaux de déchet de découpe, etc.). Les débris peuvent être projetés à grande vitesse.
- NE JAMAIS DÉMARRER LA MACHINE** avec une mèche, un outil de coupe ou un cylindre de contact contre l'ouvrage. La perte de contrôle de l'ouvrage peut provoquer de graves blessures.
- VERROUILLER CORRECTEMENT LA MÈCHE, L'OUTIL DE COUPE OU LE CYLINDRE DE CONTACT DANS LE MANDRIN AVANT D'UTILISER CETTE MACHINE.**
- RETIRER LA CLÉ DU MANDRIN AVANT DE DÉMARRER LA MACHINE.** La clé du mandrin risque d'être projetée à grande vitesse.
- SERRER TOUTES LES POIGNÉES DE VERROUILLAGE** avant de démarrer la machine. La perte de contrôle de l'ouvrage peut provoquer de graves blessures.
- UTILISER SEULEMENT DES MÈCHES, OUTILS DE COUPE, CYLINDRES DE CONTACT OU AUTRES ACCESSOIRES** avec une queue à la dimension recommandée dans le mode d'emploi. Un accessoire de la mauvaise taille peut endommager la machine et/ou provoquer de graves blessures.
- UTILISER SEULEMENTS DES MÈCHES, outils de coupe OU CYLINDRES DE CONTACT** intacts. Des articles endommagés peuvent provoquer des défaillances qui mèneraient à des blessures.
- UTILISER LES VITESSES RECOMMANDÉES POUR TOUTES OPÉRATIONS.** D'autres vitesses peuvent provoquer des défaillances de la machine qui endommageraient celle-ci et/ou provoqueraient de graves blessures.
- ÉVITER LES OPÉRATIONS MALADROITES** et éviter d'avoir les mains mal placées. En glissant inopinément, votre main pourrait percuter la mèche.
- TENIR LES BRAS, MAINS ET DOIGTS ÉLOIGNÉS DE LA MÈCHE.** De graves blessures à la main peuvent survenir.
- TENIR FERMEMENT L'OUVRAGE CONTRE LA TABLE.** Ne pas percer un ouvrage si celui-ci ne repose pas sur un côté plat contre la table ou s'il n'est pas fixé dans un état. Empêcher l'ouvrage de tourner en le rattachant à la table ou en le fixant contre la colonne de la perceuse. La perte de contrôle de l'ouvrage peut provoquer de graves blessures.
- ÉTEINDRE LA MACHINE ET ATTENDRE QUE LA MÈCHE, L'OUTIL DE COUPE OU LE CYLINDRE DE CONTACT** s'arrête complètement avant de nettoyer la zone de travail, d'enlever des débris, de retirer ou de fixer un ouvrage ou de changer l'angle de la table. Une mèche, un outil de coupe ou un cylindre de contact en mouvement peut provoquer de graves blessures.
- SOUTENIR CORRECTEMENT LES OUVRAGES LONGS OU LARGES.** La perte de contrôle de l'ouvrage peut provoquer de graves blessures.
- NE JAMAIS EFFECTUER D'OPÉRATIONS DE TRAÇAGE, D'ASSEMBLAGE, OU DE RÉGLAGE SUR LA TABLE/L'ESPACE DE TRAVAIL LORSQUE LA MACHINE EST EN MARCHÉ.** De graves blessures pourraient survenir.
- ÉTEINDRE LA MACHINE, LA DÉBRANCHER, ET NETTOYER LA TABLE/L'ESPACE DE TRAVAIL AVANT DE LAISSER LA MACHINE.** Verrouiller l'interrupteur en position d'arrêt afin d'éviter toute utilisation non autorisée. Il se peut que quelqu'un démarre accidentellement la machine et se blesse gravement.
- DES INFORMATIONS SUPPLÉMENTAIRES** (i.e. une vidéo sur la sécurité), indiquant comment utiliser des outils électriques correctement et en toute sécurité, sont disponibles auprès du Power Tool Institute, 1300 Sumner Avenue, Cleveland, OH 44115-2851, États-Unis ([www.powertoolinstitute.com](http://www.powertoolinstitute.com)). Vous pouvez également vous procurer des informations auprès du National Safety Council, 1121 Spring Lake Drive, Itasca, IL 60143-3201, États-Unis. Veuillez vous reporter à la norme ANSI 01.01 de l'American National Standards Institute concernant les machines de travail du bois, ainsi que la réglementation OSHA 1910.213. du département américain du travail.

## CONSERVER CES INSTRUCTIONS.

S'Y REPORTER FRÉQUEMMENT ET LES UTILISER POUR INFORMER LES AUTRES UTILISATEURS.

# ÉTIQUETTES D'AVERTISSEMENT D'OUTIL

⚠ WARNING	⚠ ADVERTENCIA	⚠ AVERTISSEMENT
<p><b>FOR YOUR OWN SAFETY. READ AND UNDERSTAND INSTRUCTION MANUAL BEFORE OPERATING DRILL PRESS. ALWAYS WEAR EYE PROTECTION AND WEAR PROPER RESPIRATORY PROTECTION. DO NOT WEAR GLOVES, NECKTIES, JEWELRY OR LOOSE CLOTHING. ALWAYS CLAMP WORKPIECE OR BRACE IT AGAINST COLUMN TO PREVENT ROTATION. KEEP HANDS AWAY FROM ROTATING BIT OR ACCESSORY. USE RECOMMENDED SPEED FOR THE DRILL AND WORKPIECE MATERIAL. BE SURE DRILL BIT OR CUTTING TOOL IS NOT DAMAGED AND PROPERLY LOCKED IN THE CHUCK BEFORE OPERATING. MAKE CERTAIN CHUCK KEY IS REMOVED BEFORE STARTING DRILL PRESS. DISCONNECT MACHINE FROM POWER SOURCE BEFORE MAKING REPAIRS OR ADJUSTMENTS. DO NOT EXPOSE TO RAIN OR USE IN DAMP LOCATIONS.</b></p>	<p><b>POR SU PROPIA SEGURIDAD. LEA Y COMPRENDA EL MANUAL DE INSTRUCCIONES ANTES DE UTILIZAR LA PRENSA DE TALADRO. SIEMPRE UTILICE PROTECCIÓN PARA LOS OJOS Y PROTECCIÓN APROPIADA PARA LA RESPIRACIÓN. NO USE GUANTES, CORBATAS, JOYAS NI ROPA HOLGADA. SIEMPRE SUJETE LA PIEZA DE TRABAJO CON ABRAZADERAS O AMÁRRELA CONTRA LA COLUMNA PARA EVITAR LA ROTACIÓN. MANTENGA LAS MANOS LEJOS DE LA BROCA O ACCESORIOS GIRATORIOS. USE LA VELOCIDAD RECOMENDADA PARA EL TALADRO Y EL MATERIAL DE LA PIEZA DE TRABAJO. ASEGÚRESE DE QUE LA BROCA DEL TALADRO O LA HERRAMIENTA DE CORTE NO ESTÉN DAÑADAS Y DE QUE ESTÉN CORRECTAMENTE BLOQUEADAS EN EL PORTABROCAS ANTES DE SU OPERACIÓN. ASEGÚRESE DE RETIRAR LA LLAVE DE PORTABROCAS ANTES DE ENCENDER LA PRENSA DE TALADRO. DESCONECTE LA MÁQUINA DE LA FUENTE DE ALIMENTACIÓN ANTES DE REALIZAR REPARACIONES O AJUSTES. NO EXPONGA A LA LLUVIA NI UTILICE EN LUGARES HÚMEDOS.</b></p>	<p><b>POUR VOTRE PROPRE SÉCURITÉ. BIEN LIRE ET COMPRENDRE LE MODE D'EMPLOI AVANT D'UTILISER LA PERCEUSE À COLONNE. TOUJOURS PORTER UNE PROTECTION OCULAIRE ET DES ARTICLES DE PROTECTION DES VOIES RESPIRATOIRES APPROPRIÉS. NE PAS PORTER DE GANTS, CRAVATES, BIJOUX OU VÊTEMENTS AMPLES. TOUJOURS FIXER LA PIÈCE OU BIEN LA CALER CONTRE LA COLONNE POUR EMPÊCHER UNE ROTATION. TENIR VOS MAINS ÉLOIGNÉES DE LA MÈCHE ROTATIVE OU ACCESSOIRE. UTILISER LA VITESSE RECOMMANDÉE POUR LA PERCEUSE ET LE MATÉRIEL DE LA PIÈCE À PERCER. S'ASSURER QUE LA MÈCHE OU L'ORGANE DE COUPE N'EST PAS ENDOMMAGÉ ET QU'IL EST BIEN VERROUILLÉ DANS LE MANDRIN AVANT SON UTILISATION. S'ASSURER DE RETIRER LA CLÉ DU MANDRIN AVANT DE DÉMARRER LA PERCEUSE DE COLONNE. DÉBRANCHER LA MACHINE DE LA SOURCE D'ALIMENTATION AVANT D'EFFECTUER DES RÉPARATIONS OU DES RÉGLAGES. NE PAS L'EXPOSER À LA PLUIE ET NE PAS L'UTILISER DANS UN ENDRIT HUMIDE.</b></p>

⚠ WARNING
<p><b>To reduce the risk of fire, use 40-watt or less Track Light Bulb.</b></p>
⚠ ADVERTENCIA
<p><b>Para reducir el riesgo de incendio, use bombillas de luz en riel de 40 vatios o menos.</b></p>
⚠ AVERTISSEMENT
<p><b>Pour réduire le risque d'incendie, utiliser une ampoule incandescente de 40 watts ou moins.</b></p>

A14283

## RÈGLES ADDITIONNELLES DE SÛRETÉ POUR LE LASER

**⚠ AVERTISSEMENT** RISQUE D'OPÉRATION PEU SÛRE. L'inobservation de ces règles peut conduire à des blessures graves.

**⚠ DANGER** BLESSURE AUX YEUX – RAYONNEMENT LASER

- \* Ne pas fixer du regard l'ouverture du faisceau ou le reflet du rayon sur une surface réfléchissante.
- \* Ne pas utiliser d'outils optiques comme un télescope ou un théodolite pour regarder le faisceau laser

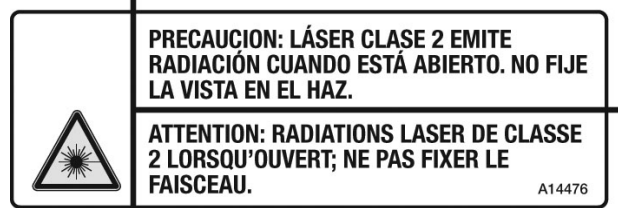
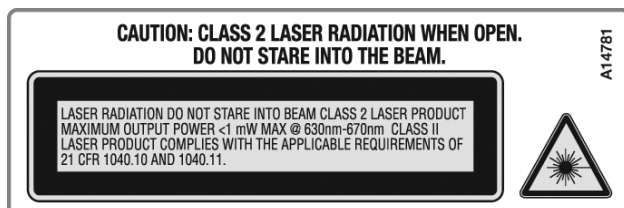
**⚠ AVERTISSEMENT** BLESSURE AUX YEUX – RAYONNEMENT LASER

- \* NE PAS UTILISER LE LASER PRÈS DES ENFANTS ET NE PAS LAISSER LES ENFANTS UTILISER LE LASER.
- \* RANGER LE LASER INUTILISÉ HORS DE LA PORTÉE DES ENFANTS ET DES PERSONNES SANS EXPÉRIENCE.
- \* ÉTEINDRE LE LASER LORSQU'IL N'EST PAS UTILISÉ
- \* NE PAS DÉMONTER LE MODULE LASER. LE RAYONNEMENT DE CLASSE II, PRODUIT PAR L'APPAREIL, POURRAIT DÉPASSER LA LIMITE SI L'APPAREIL EST DÉMONTÉ. LASER CONFORME AUX NORMES 21 CFR 1040.10 ET 1040.11.

**L'UTILISATION DE COMMANDES OU DE RÉGLAGES OU L'EXÉCUTION DE PROCÉDURES AUTRES QUE CELLES**  
**⚠ AVERTISSEMENT** PRÉCISÉES DANS LA PRÉSENTE PEUT ENTRAÎNER UNE EXPOSITION AU RAYONNEMENT DANGEREUX.

**RISQUE D'EXPLOSION. NE PAS FAIRE FONCTIONNER LE LASER OU LA PERCEUSE DE COLONNE DANS UN MILIEU DÉFLAGRANT, COMME EN PRÉSENCE DE LIQUIDES, DE GAZ OU DE POUSSIÈRES INFLAMMABLES. UNE ÉTINCELLE POURRAIT ENFLAMMER LES POUSSIÈRES OU LES VAPEURS.**

**REMARQUE :** NE PAS ENLEVER NI ALTÉRER LES ÉTIQUETTES DE MISES EN GARDE.



## RACCORDEMENTS ÉLECTRIQUES

Un circuit électrique séparé doit être utilisé pour les machines. Les fils de ce circuit doivent être au moins de calibre 12. Ce circuit doit être protégé par un fusible temporisé de 20 A. Si on utilise un cordon prolongateur, ce cordon doit être à trois fils, avoir une fiche à trois broches et une prise de courant à trois cavités, mise à la terre qui correspond à la fiche de la machine. Avant de brancher la machine, s'assurer que l'interrupteur (les interrupteurs) se trouve(nt) en position « OFF » (ARRÊT) et que le courant électrique présente les mêmes caractéristiques que celles qui sont inscrites sur la machine. Toutes les connexions électriques doivent établir un bon contact. Le fonctionnement sur une basse tension endommagera la machine.

**⚠ DANGER RISQUE D'ÉLECTROCUTION: NE PAS EXPOSER LA MACHINE À LA PLUIE, ET NE PAS L'UTILISER DANS DES ENDROITS HUMIDES.**

## SPÉCIFICATIONS DU MOTEUR

Cette machine est câblée pour un fonctionnement sur un courant alternatif de 120 volts 60 Hz. Avant de brancher la machine, s'assurer que l'interrupteur se trouve à la position « OFF » (ARRÊT).

## INSTRUCTIONS DE MISE À LA TERRE

**⚠ DANGER RISQUE D'ÉLECTROCUTION: CETTE MACHINE DOIT ÊTRE MISE À LA TERRE PENDANT SON EMPLOI, AFIN DE PROTÉGER L'UTILISATEUR DES DÉCHARGES ÉLECTRIQUES**

1. **Toutes les machines avec cordon mis à la terre:** Dans l'éventualité d'un mauvais fonctionnement ou d'une panne, la mise à la terre fournit un trajet de moindre résistance permettant de réduire le risque de décharge électrique. Cette machine est dotée d'un cordon électrique possédant un conducteur de mise à la terre de l'équipement ainsi que d'une fiche mise à la terre. La fiche doit être branchée dans une prise de courant correspondante, installée de façon adéquate et mise à la terre conformément à tous les codes et règlements locaux.

Ne pas modifier la fiche fournie - si elle ne s'adapte pas à la prise de courant, il faut faire installer une prise de courant convenable par un électricien compétent.

Un mauvais raccordement du conducteur de mise à la terre de l'équipement peut entraîner un risque de décharge électrique. Le conducteur possédant un isolant avec surface extérieure de couleur verte, avec ou sans rayures jaunes, est le conducteur de mise à la terre de l'équipement. Si une réparation ou un remplacement du cordon électrique s'avère nécessaire, ne pas brancher le conducteur de mise à la terre de l'équipement à une borne sous tension.

Consulter un électricien compétent ou le personnel de service après-vente si on ne comprend pas entièrement les instructions de mise à la terre, ou si l'on doute que la machine soit correctement mise à la terre.

Utiliser seulement des cordons prolongateurs à trois fils dotés d'une fiche mise à la terre, à trois broches, et de prises à trois cavités convenant à la fiche de la machine, comme l'illustre la figure A.

Réparer ou remplacer sans délai tout cordon endommagé ou usé.

2. **Machines avec cordon mis à la terre prévues pour une utilisation sur une alimentation nominale inférieure à 150 volts :** Si cette machine est prévue pour être utilisée sur un circuit qui comporte une prise semblable à celle illustrée à la figure A, la machine devra comporter une fiche mise à la terre semblable à celle illustrée à la figure A. Un adaptateur temporaire semblable à celui illustré à la figure B, peut être utilisé pour raccorder cette fiche à une prise à deux cavités comme celle illustrée à la figure B, si une prise correctement mise à la terre n'est pas disponible. L'adaptateur temporaire ne doit être utilisé que jusqu'au moment où une prise correctement mise à la terre est installée par un électricien compétent. L'oreiller rigide ou autre dispositif semblable de couleur verte, sur le dessus de l'adaptateur, doit être connecté sur une mise à la terre permanente comme, par exemple une boîte à prises correctement mise à la terre. Quand un adaptateur est utilisé, celui-ci doit être retenu en place par une vis en métal.

**REMARQUE: Au Canada, le Code canadien de l'électricité ne permet pas l'emploi d'un adaptateur temporaire.**

**⚠ DANGER RISQUE D'ÉLECTROCUTION: DANS TOUS LES CAS, S'ASSURER QUE LA PRISE EN QUESTION EST BIEN MISE À LA TERRE. DANS LE DOUTE, DEMANDER À UN ÉLECTRICIEN COMPÉTENT DE VÉRIFIER LA PRISE.**

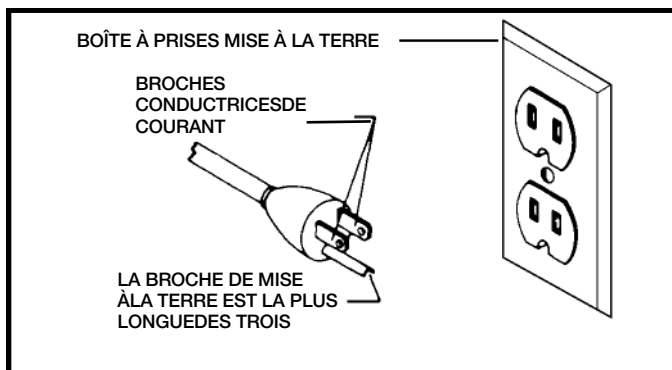


Fig. A

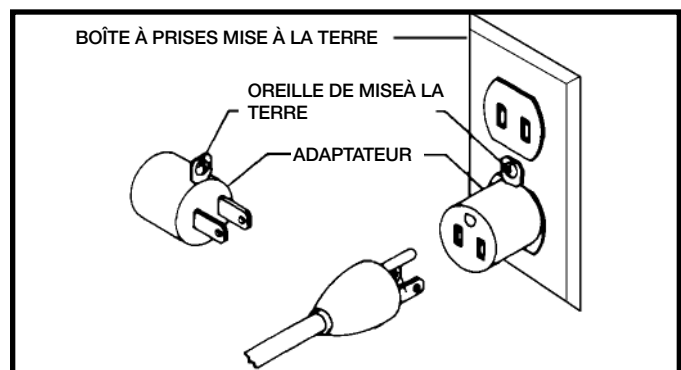


Fig. B

## CORDON DE RALLONGE

**⚠ AVERTISSEMENT** EMPLOYEZ LES CORDES APPROPRIÉES DE PROLONGATION. S'ASSUREZ VOTRE CORDE DE PROLONGATION EST EN BON ÉTAT. EN UTILISANT UNE CORDE DE PROLONGATION, SOYEZ SÛR D'EMPLOYER UN ASSEZ LOURD POUR PORTER LE COURANT DE LA MACHINE. UNE CORDE TROP PETITE CAUSERA UNE BAISSÉ DANS LA TENSION SECTEUR, AYANT POUR RÉSULTAT LA PERTE DE PUISSANCE ET DE SURCHAUFFE. FIG. D-1, EXPOSITIONS LA MESURE CORRECTE À EMPLOYER SELON LA LONGUEUR DE CORDE. EN CAS DE DOUTE, UTILISEZ LA PROCHAINE MESURE PLUS LOURDE. PLUS LE NOMBRE DE MESURE EST PETIT, PLUS LA CORDE EST LOURDE.

MESUR MINIMUM DE CORDE D'EXTENSION			
TAILLES RECOMMANDÉES POUR L'USAGE AVEC STATIONNAIRES ÉLECTRIQUES LES OUTILS			
Estimation père	Volts	Longueur Totale De Corde En Pieds	Mesure De Corde D'Am D'Extension
0-6	120	up to 25	18 AWG
0-6	120	25-50	16 AWG
0-6	120	50-100	16 AWG
0-6	120	100-150	14 AWG
6-10	120	up to 25	18 AWG
6-10	120	25-50	16 AWG
6-10	120	50-100	14 AWG
6-10	120	100-150	12 AWG
10-12	120	up to 25	16 AWG
10-12	120	25-50	16 AWG
10-12	120	50-100	14 AWG
10-12	120	100-150	12 AWG
12-16	120	up to 25	14 AWG
12-16	120	25-50	12 AWG
12-16	120	50 PI PLUS GRANDS QUE NON RECOMMANDÉS	

Fig. D-1

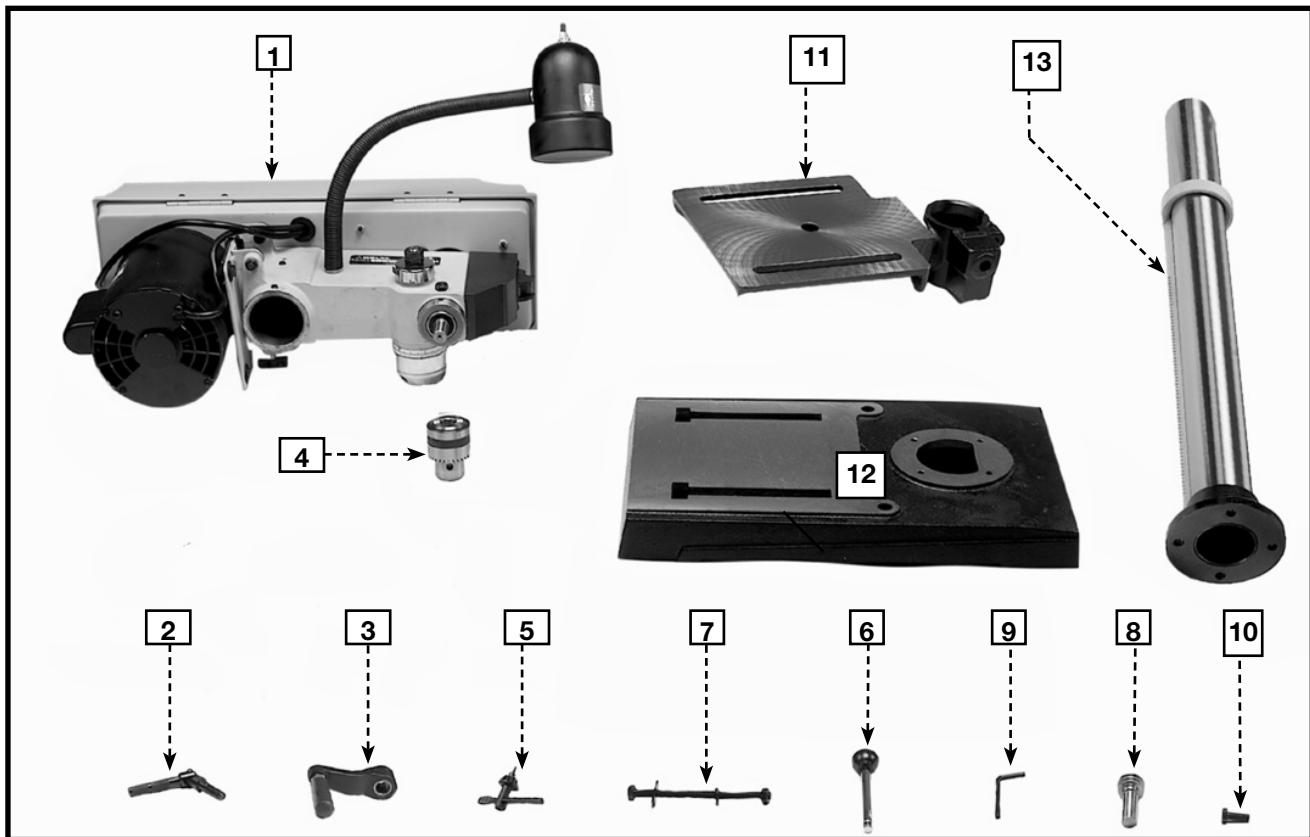
## DESCRIPTION FONCTIONNELLE

### AVANT-PROPOS

La perceuse à colonne Delta DP300L de 30,5 cm (12 po) est livrée avec une lampe de travail flexible, guidée par laser pour un perçage précis et munie d'une table utilitaire pour tenir les outils à la portée de la main. Cette machine dispose d'une table qui s'incline pour le perçage d'angle et de bords sur les côtés et de fentes parallèles pour la fixation rapide de l'ouvrage.

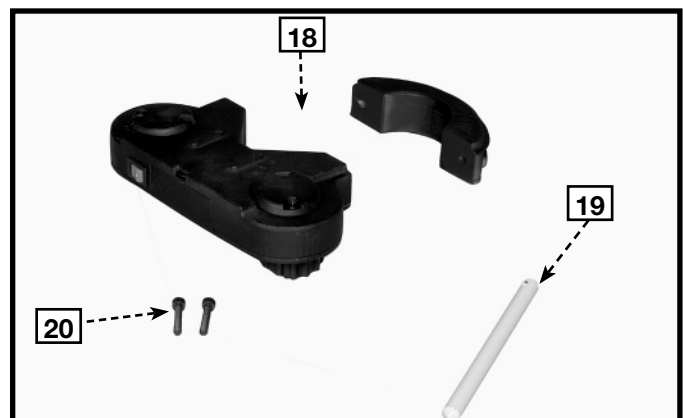
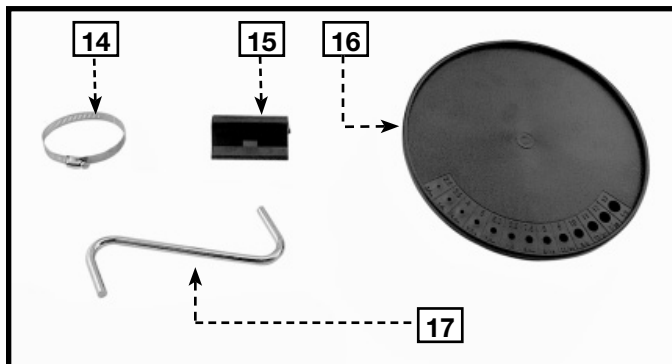
**REMARQUE :** La photo de la couverture du mode d'emploi illustre le modèle de production actuel. Les autres illustrations de ce mode d'emploi ne sont présentes qu'à titre indicatif et il est possible que les étiquettes et accessoires actuels diffèrent des caractéristiques réelles de ce modèle. Ces illustrations ont uniquement pour but d'illustrer la technique.

# CONTENUS DE BOITE



- 1 - Tête et moteur de la perceuse à colonne
- 2 - Manivelle de relèvement et d'abaissement du table
- 3 - Levier de blocage du table
- 4 - Mandrin
- 5 - Clé de mandrin
- 6 - Manette de l'arbre du pignon (3)
- 7 - Vis à collet carré M8 x 1,25 x 125 mm (2), rondelle plate M8 (2), rondelle-frein M8.1 (2), écrou hex. M8 x 1,25 (2) (pour fixer le socle à la surface portante)
- 8 - Engrenage à vis sans fin pour le mécanisme de relèvement et d'abaissement du table
- 9 - Clé Allen (2)

- 10 - Vis à tête hex. M8 x 1,25 x 25 mm (4)
- 11 - Table
- 12 - Base
- 13 - Colonne, bride et crémaillère
- 14 - Collier de serrage
- 15 - Support de montage
- 16 - Table utilitaire
- 17 - Bras de montage
- 18. Laser
- 19. Tige d'alignement pour laser
- 20. Vis d'Assemblage à Six Pans Creux (2)



## DÉSEMBALLAGE ET NETTOYAGE

Désemballer soigneusement la machine et toutes les pièces de ou des emballage(s) d'expédition. Retirer l'huile anti-corrosion des surfaces non peintes à l'aide d'un chiffon doux humidifié avec de l'alcool, du diluant à peinture ou de l'alcool dénaturé.

**⚠ ATTENTION** MISE EN GARDE : N'UTILISER PAS DE SOLVANTS HAUTEMENT VOLATILS TEL L'ESSENCE, LE NAPHTÉ, L'ACÉTONE OU DU DILUANT À LAQUE POUR NETTOYER.

Après nettoyage, couvrir les surfaces non peintes d'une cire à parquets d'usage domestique de bonne qualité.



# ASSEMBLAGE

**⚠ AVERTISSEMENT** POUR VOTRE PROPRE SÛRETÉ, NE RELIEZ PAS LA MACHINE À LA SOURCE D'ÉNERGIE JUSQU'À CE QUE LA MACHINE SOIT COMPLÈTEMENT ASSEMBLÉE ET VOUS LISEZ ET COMPRENEZ LE MANUEL D'INSTRUCTION ENTIER.

## OUTILS NÉCESSAIRES

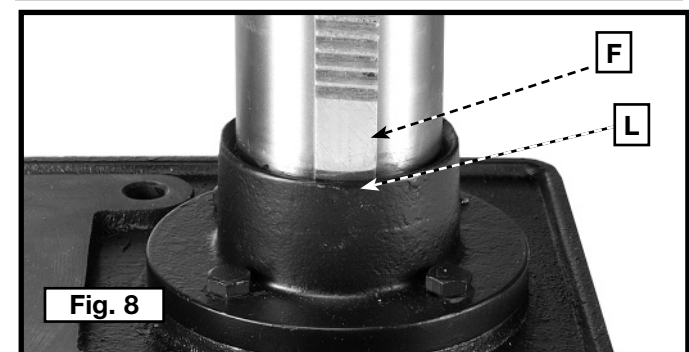
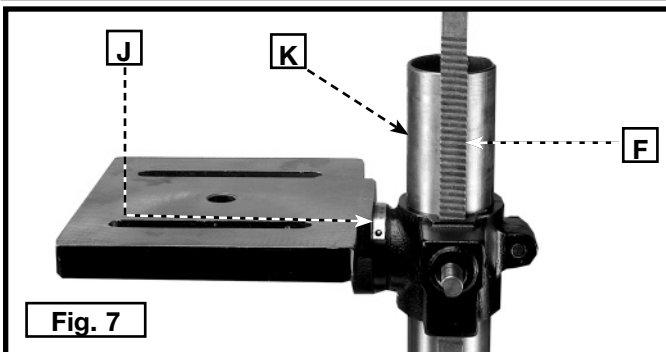
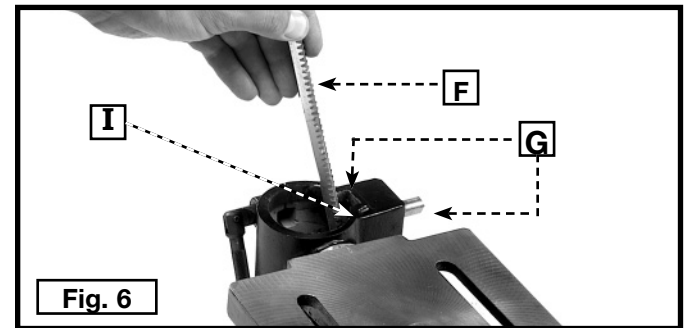
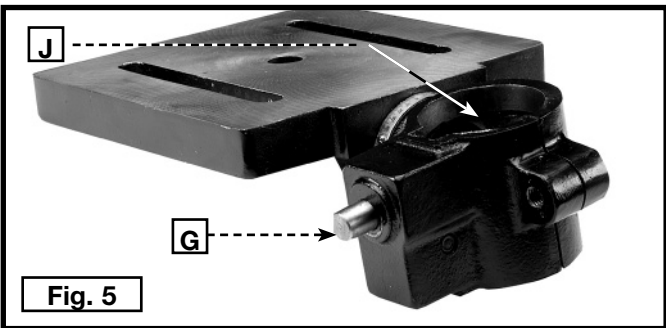
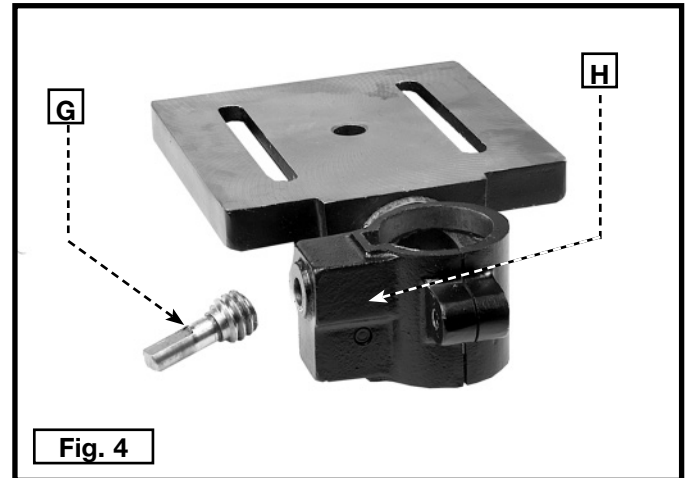
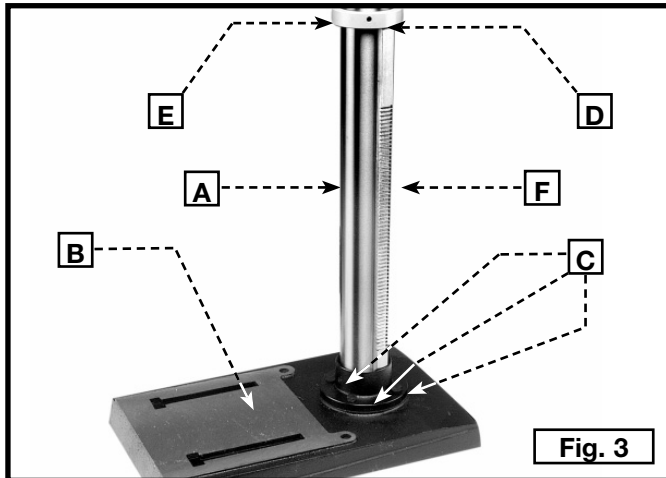
Clé (fournie)

Clé hexagonale de 2 mm (fournie)

Clé à fourche 11,11 mm (7/16 po) (non fournie)

## L'ESTIMATION DE TEMPS D'ASSEMBLEE

L'Assemblée pour cette machine prend les heures approximativement 30 minutes.

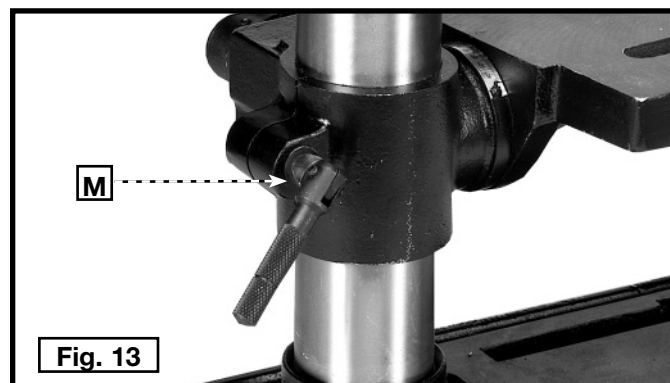
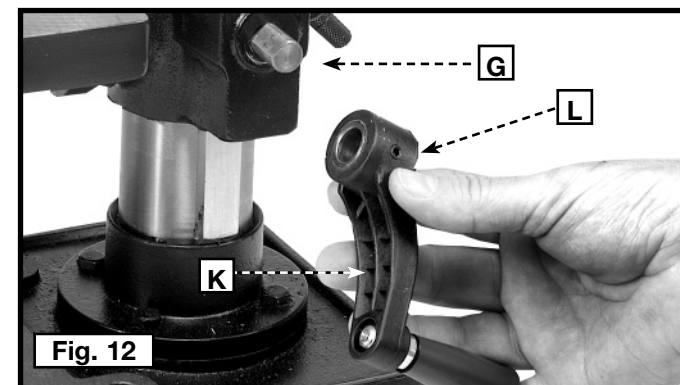
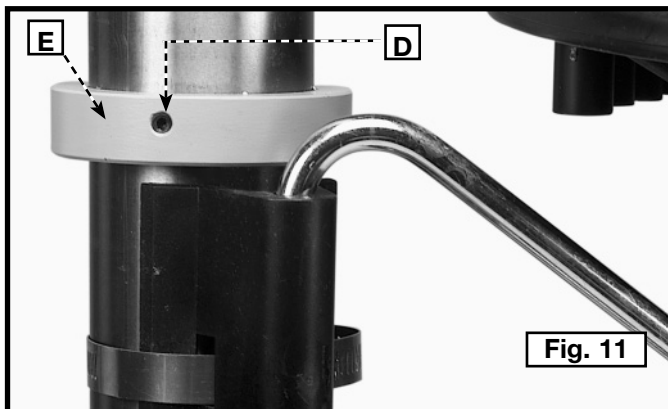
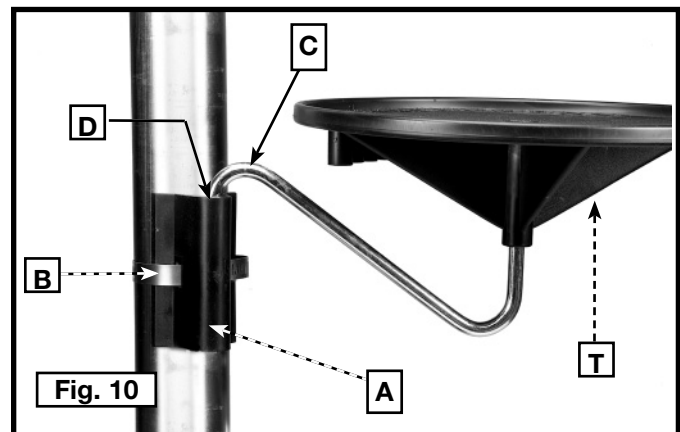
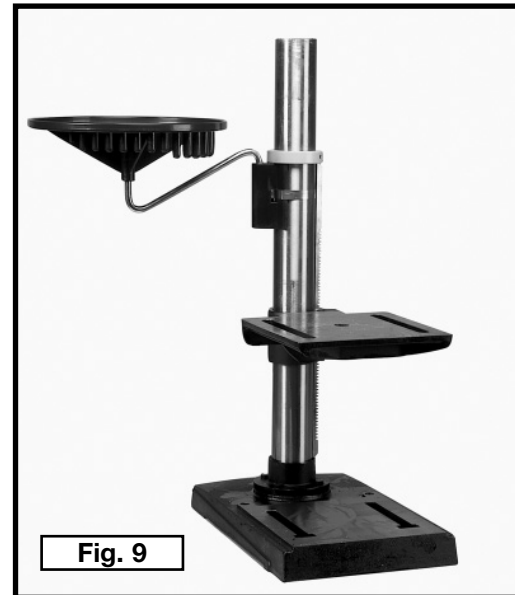


1. Attacher la colonne (A, fig. 3) à la base (B) à l'aide des quatre vis à tête hexagonale (C) M8x1,25x25 mm, dont trois sont illustrées. Desserrer la vis de calage (D) puis déposer l'anneau (E) et la crémaillère (F).
2. Placer la vis sans fin (G, fig. 4) dans le support de la table (H).  
REMARQUE : Insérer la petite extrémité de la vis sans fin (G, fig. 5) dans le trou (J) puis dans le trou pour la vis sans fin. La position correcte est illustrée à la figure 5.
3. Insérer la crémaillère (F, fig. 6) (déposée à l'ÉTAPE 1) dans la rainure (I) du support de la table.  
REMARQUE : Insérer les dents de la crémaillère (F) dans celles de la vis sans fin (G) située à l'intérieur du support de la table.
4. Glisser la crémaillère (F, fig. 7) et la table avec le support de table (J) sur la colonne de la perceuse.  
REMARQUE : Insérer la partie inférieure de la crémaillère (F, fig. 8) dans la bride (L) de la base de la presse à colonne.
5. Placer le support de fixation (A, fig. 10) sur la colonne.  
REMARQUE : S'assurer que le support de fixation (A, fig. 10) est du côté opposé de la colonne par rapport à la crémaillère (F, fig. 8).

6. Insérer le collier de serrage (B, fig. 10) sur le support de fixation puis sous la crémaillère et autour de la colonne. Serrer solidement le collier de serrage sur le flexible.
7. Insérer le bras de montage (C) dans le trou du support (D, fig. 10) et attacher le table (T) au bras de montage.
8. S'assurer que le support, le bras de montage et la crémaillère sont positionnés, par rapport à la table de la presse à colonne, comme indiqué à la figure 9.
9. Installer l'anneau (E, fig. 11) (déposée à l'ÉTAPE 1) sur la colonne.

**IMPORTANT** : Placer la crémaillère sous la partie inférieure de l'anneau. Laisser assez d'espace pour que la crémaillère (F) puisse tourner autour de la colonne. Serrer la vis de calage (D, fig. 11).

10. Fixer la poignée (K, fig. 12), qui lève et abaisse la table, à la tige de la vis sans fin (G) et serrer la vis de calage (L) contre la partie plate de la tige.
11. Visser le montant de la poignée de fixation (M, fig. 13) dans le trou à l'arrière du support de la table.



**⚠ DANGER** Blessure aux yeux – rayonnement laser. Ne pas fixer du regard le faisceau du laser, l'ouverture ou le reflet du rayon sur une surface réfléchissante.

12. Visser lâchement la partie avant du boîtier du système laser (A, fig. 14) à la partie arrière du boîtier (B) à l'aide des deux vis d'assemblage à six pans creux (C) Fig. 14A encart compris dans l'emballage du laser.

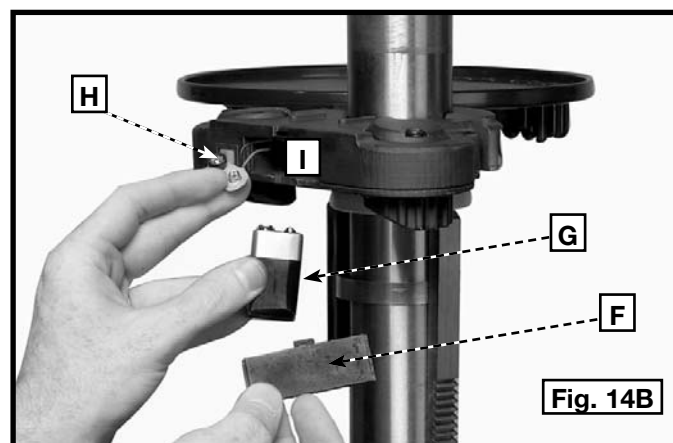
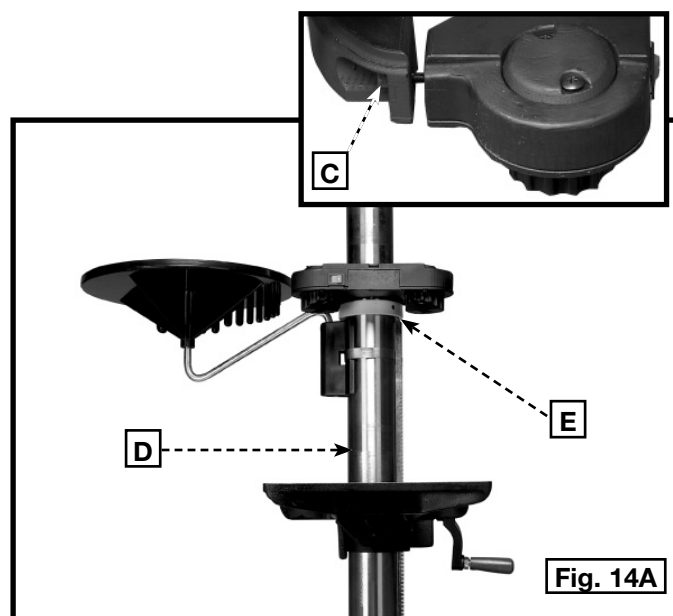
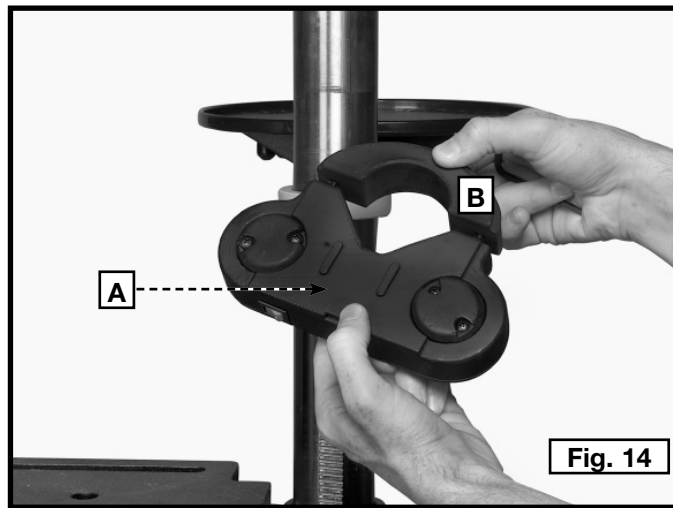
13. Installer le boîtier assemblé du système laser sur la colonne de la perceuse (D) Fig. 14A et la déposer sur le collet (E).

14. Serrer les vis (C, fig. 14A encart). S'assurer que le boîtier du système laser est positionné de sorte qu'il y ait un laser de chaque côté de la colonne (D).

15. Déposer le couvercle de la pile (F, fig. 14B) du boîtier du système laser.

16. Insérer une pile (G) de 9 volts (non fournie) entre les bornes (H).

17. Insérer la pile dans le compartiment (I) et refermer le couvercle.



18. Asseoir la tête de la presse à colonne (N, fig. 15) sur la colonne (U). Aligner la tête (A, fig. 15A) avec la table (B) et la base (C). Serrer les deux vis de blocage (O, fig. 15) avec la clé fournie.
19. Visser les trois poignées (P, fig. 16) de l'arbre pignon dans les trois trous taraudés situés sur l'arbre pignon (S).

**REMARQUE :** S'assurer que la broche conique (Q, fig. 17) et le trou taraudé du mandrin (R) sont propres et exempts de graisse et de couches protectrices de vernis ou d'antirouille.

**REMARQUE :** Un nettoyeur à four domestique nettoie efficacement toute substance sur la broche ou le mandrin. Suivre soigneusement les consignes de sécurité du fabricant lors de son utilisation.

20. Ouvrir les mâchoires du mandrin autant que possible en tournant le manchon du mandrin (N, fig. 18). Tenir le mandrin sur le bout conique de la broche et frapper avec un marteau-caoutchouc (T), ou un bloc de bois et un marteau, pour fixer le mandrin (fig. 18).

**IMPORTANT :** Pour empêcher tout dommage au mandrin, NE PAS ENFONCER le mandrin sur la broche à l'aide d'un marteau en métal.

## FIXATION DE LA PERCEUSE À COLONNE À UNE SURFACE PORTANTE

Si pendant l'emploi, la machine a tendance à se renverser, glisser ou se déplacer sur la surface portante, son socle doit être immobilisé à la surface portante à l'aide de vis à collet carré M8 x 1,25 x 125 mm, de rondelles plates 8,5 mm, de rondelles-freins 8,5 mm et d'écrous hex. M8 x 1,25 installés dans les deux trous (A) fig. 19 du socle.

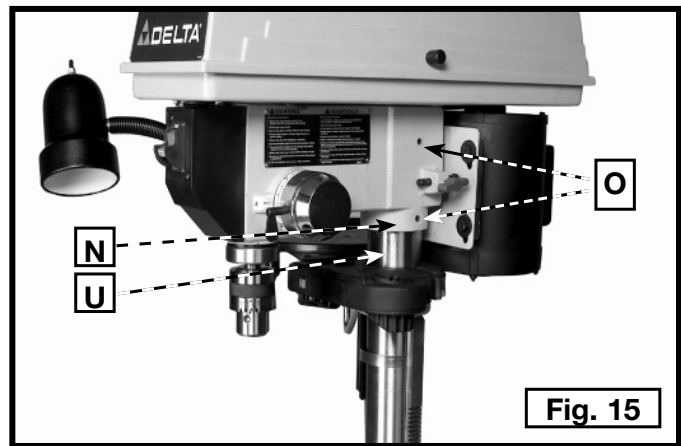


Fig. 15

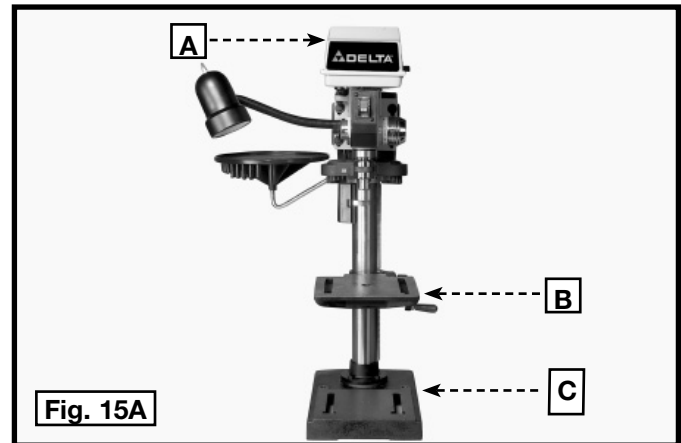


Fig. 15A

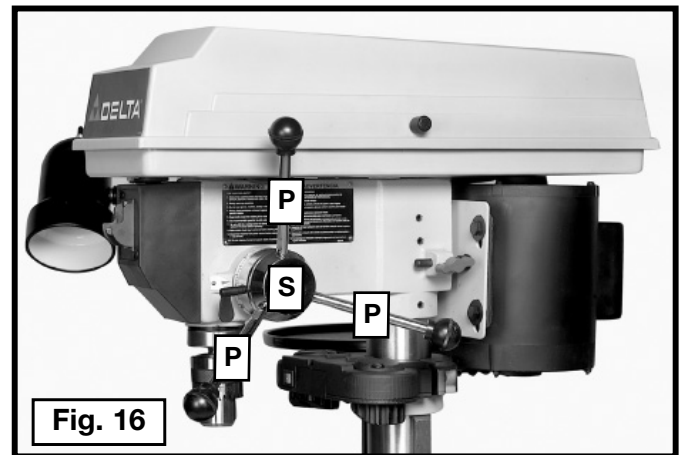


Fig. 16

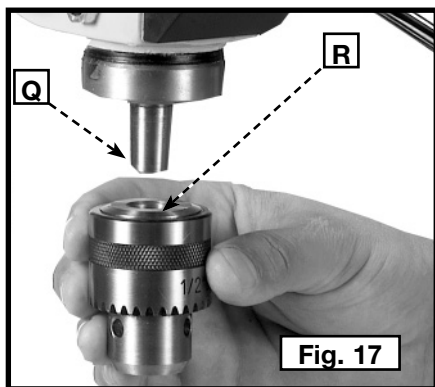


Fig. 17

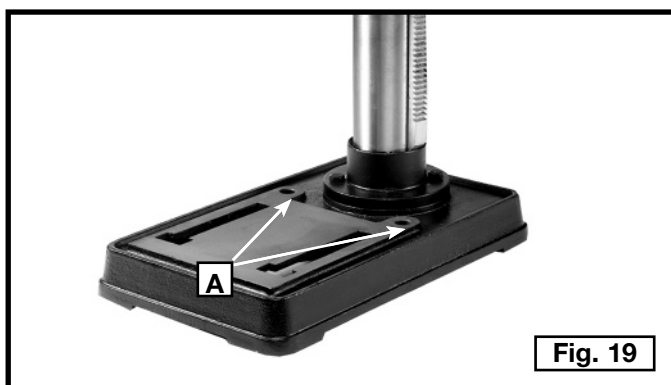


Fig. 19

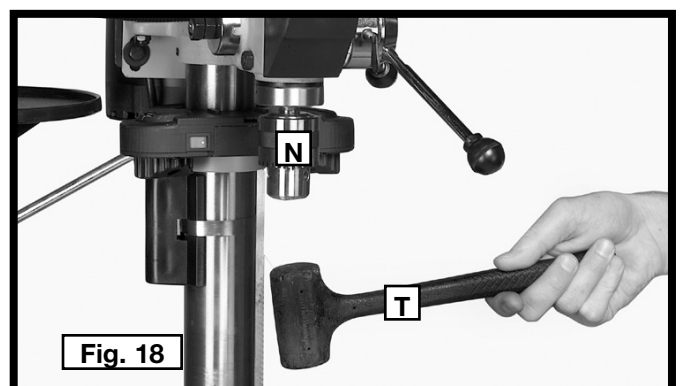


Fig. 18

# FONCTIONNEMENT

## L'OPERATION CONTROLE DE LE ET LES AJUSTEMENT

### MISE EN MARCHÉ ET ARRÊT DE LA PERCEUSE À COLONNE

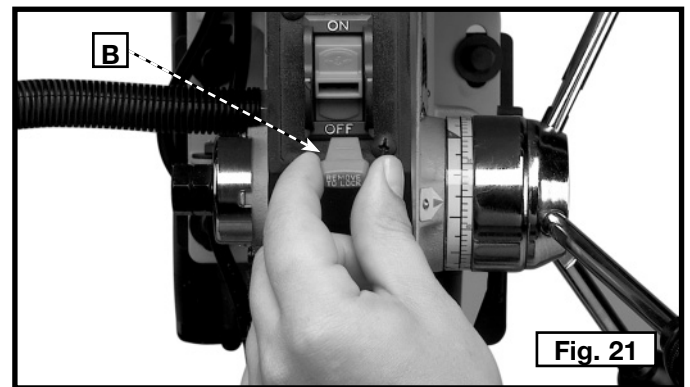
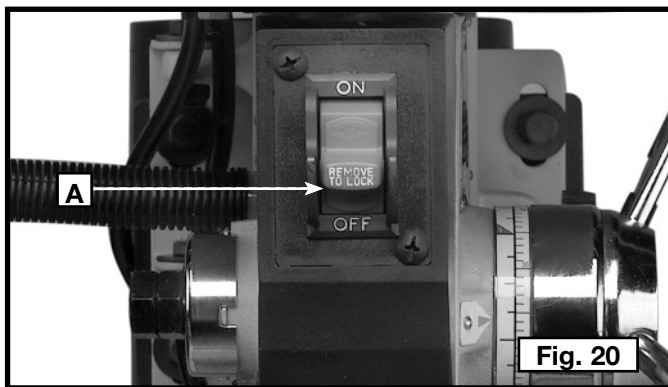
**⚠ AVERTISSEMENT** S'ASSURER QUE L'INTERRUPTEUR SE TROUVE SUR LA POSITION D'ARRÊT AVANT DE BRANCHER LE CORDON D'ALIMENTATION DANS LA PRISE. NE PAS TOUCHER AUX LAMES MÉTALLIQUES DE LA FICHE LORS DU BRANCHEMENT OU DÉBRANCHEMENT DU CORDON.

1. L'interrupteur (A) fig. 20 est situé à l'avant de la tête de la perceuse à colonne. Pour mettre la perceuse à colonne en marche, relevez le bouton à la position «ON» (MARCHÉ).
2. Pour l'arrêter, abaissez le bouton à la position «OFF» (ARRÊT).

### VERROUILLAGE DE L'INTERRUPTEUR EN POSITION «OFF» (ARRÊT)

**IMPORTANT** : Il est conseillé de verrouiller l'interrupteur de la machine à la position «OFF» (ARRÊT) lorsque celle-ci n'est pas utilisée pour empêcher l'emploi non autorisé de cette machine. Pour cela, il faut saisir le bouton de l'interrupteur (B) et le retirer de l'interrupteur comme l'illustre la figure 21. Une fois le bouton (B) enlevé, l'interrupteur ne fonctionne plus. Toutefois, si le bouton est enlevé lorsque la perceuse est en marche, la perceuse peut être tout de même mise à l'ARRÊT, mais elle ne pourra pas être remise en marche sans ce bouton (B).

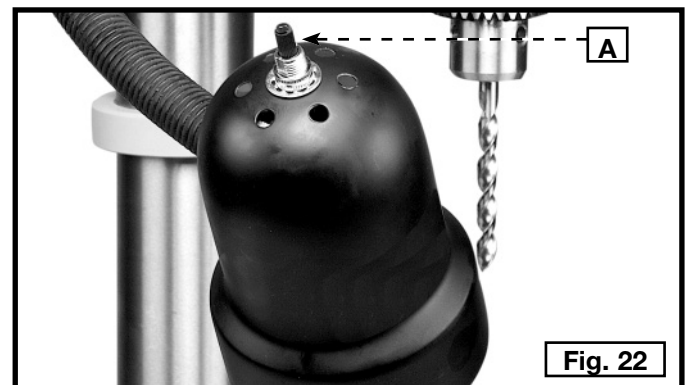
**⚠ AVERTISSEMENT** EN CAS DE PANNE D'ÉLECTRICITÉ (TELLE UN DISJONCTEUR DÉARMÉ OU UN FUSIBLE GRILLÉ), TOUJOURS DÉPLACER L'INTERRUPTEUR EN POSITION D'ARRÊT (OFF) JUSQU'À CE QUE L'ALIMENTATION SOIT RÉTABLIE.



### LAMPE À COL-DE-CYGNE FLEXIBLE

La lampe col-de-cygne flexible fonctionne indépendamment de la perceuse. Pour l'ALLUMER et l'ÉTEINDRE, tournez son interrupteur (A) fig. 22.

**⚠ AVERTISSEMENT** POUR RÉDUIRE LE RISQUE D'INCENDIE, UTILISEZ UNE AMPOULE DE 40 WATTS MAXIMUM, 120 VOLTS, DE TYPE À PROJECTEUR SUR RAIL (NON FOURNIE). UNE AMPOULE DOMESTIQUE STANDARD NE DOIT PAS ÊTRE UTILISÉE. L'AMPOULE DE TYPE À PROJECTEUR SUR RAIL NE DOIT PAS DÉPASSER LE BAS DE L'ABAT-JOUR.



## RÉGLAGES DU TABLE

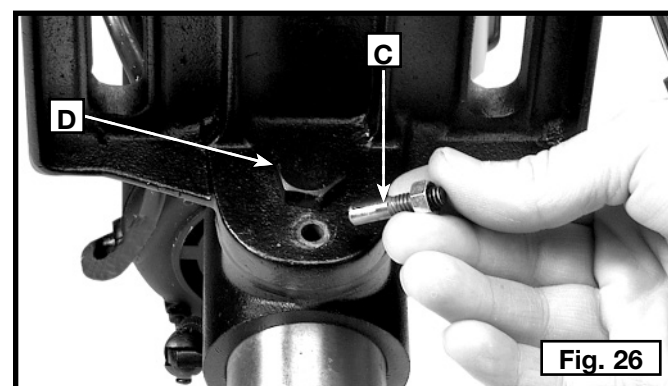
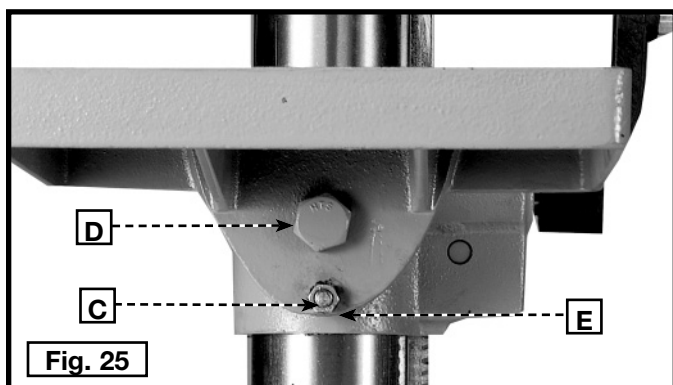
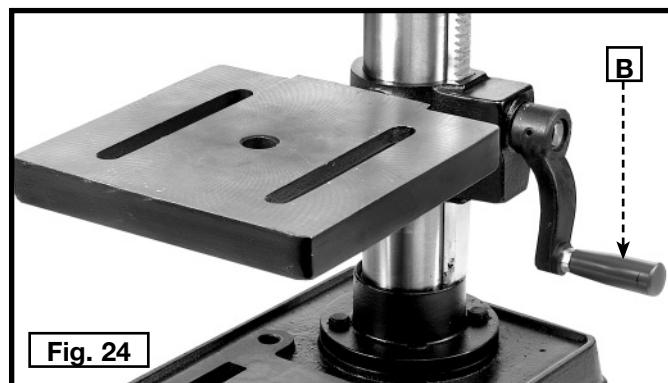
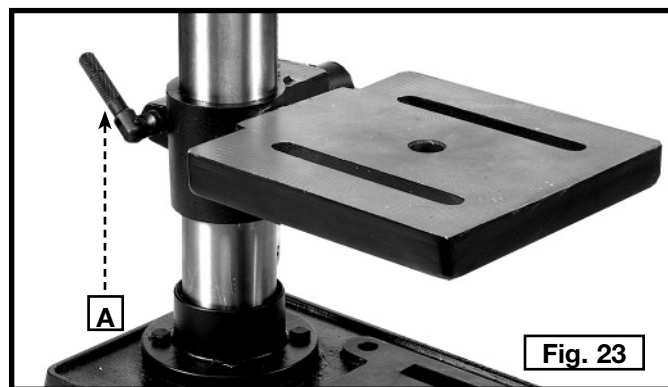
1. Le table peut être relevé ou abaissé sur la colonne de la perceuse en desserrant le levier de blocage du table (A) fig. 23, et en tournant la manivelle (B) fig. 24, pour le relever ou l'abaisser. Une fois le table à la hauteur voulue, serrez le levier (A) fig. 23.

**REMARQUE :** Le positionnement final du table de la perceuse doit toujours être obtenu en le relevant.

2. Le table peut être tourné sur 360 degrés autour de la colonne en desserrant le levier de blocage (A) fig. 23, puis, en tournant le table à la position voulue et en resserrant le levier (A).

3. Le table peut être incliné vers la droite ou la gauche en retirant l'axe d'alignement du table (C) fig. 25.

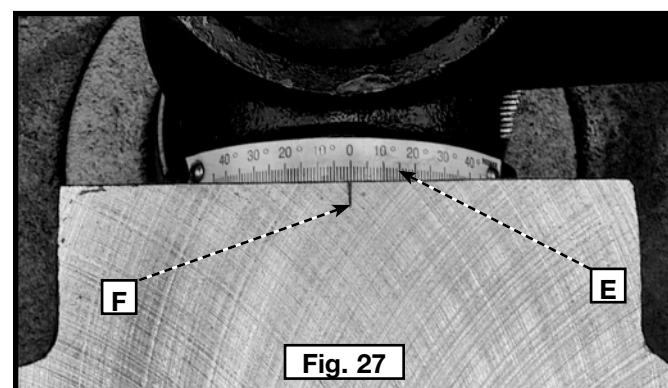
**REMARQUE :** S'il est difficile de retirer l'axe (C),

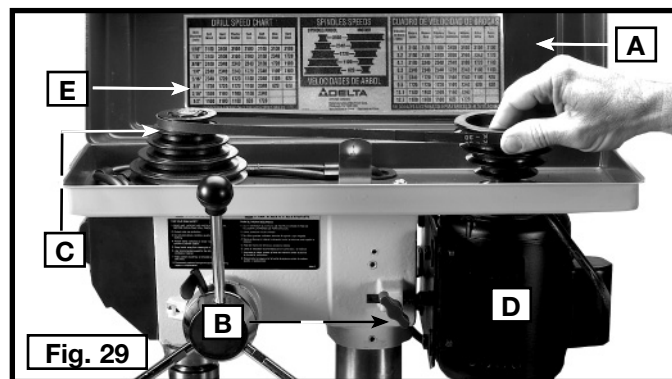
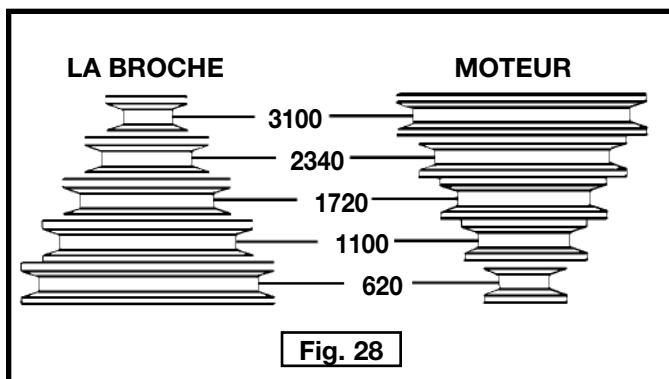


tournez l'écrou (E) vers la droite pour retirer l'axe de la partie en fonte.

4. La figure 26 montre l'axe d'alignement du table (C) enlevé. Desserrez le boulon de blocage (D), inclinez le table à l'angle voulu et resserrez le boulon (D). Lorsque le table est remis à l'horizontale, remontez l'axe (C). Ceci permet de remettre le table à la perpendiculaire par rapport à la broche.

5. Une échelle d'inclinaison (E) fig. 27, est fournie sur le support en fonte du table pour indiquer l'angle de l'inclinaison en degré. Un repère et une marque «zéro» (F) sont aussi fournis sur le table pour l'aligner avec l'échelle (E).





## VITESSES DE LA BROCHE

La broche de cette perceuse peut tourner à cinq vitesses : 620, 1 100, 1 720, 2 340 et 3 100 tr/mn. La figure 28 illustre les diverses dispositions de la courroie sur les différents gradins des poulies qui permettent d'obtenir les cinq différentes vitesses.

## CHANGEMENT DES VITESSES ET RÉGLAGE DE LA TENSION DE LA COURROIE

**REMARQUE :** UN TABLEAU DE VITESSE (E) FIG. 29 AVEC DISPOSITIONS DE LA COURROIE EST FOURNI SOUS LE CAPOT DE LA PERCEUSE À COLONNE.

### ⚠ AVERTISSEMENT DÉBRANCHEZ LA MACHINE.

1. Relevez le carter des poulies et de la courroie (A) fig. 29.
2. Détendez la courroie en desserrant le bouton de verrouillage de la tension (B) fig. 29 et en pivotant le moteur (D) vers l'avant de la perceuse à colonne.
3. Tout en retenant le moteur vers l'avant de la tête de la perceuse, placez la courroie (C) sur les gradins voulus de la poulie de la broche et de celle du moteur, comme l'illustre la figure 28.
4. Une fois la courroie en place sur les gradins voulus de la poulie du moteur et de celle de la broche, déplacez vers l'arrière le moteur (D) fig. 29, jusqu'à ce que la courroie soit bien tendue, puis serrez le bouton de verrouillage de la tension (B).

**REMARQUE :** La courroie doit juste être assez tendue pour empêcher tout patinage. Une tension trop forte réduira la durée de la courroie, des poulies et des roulements. La bonne tension est obtenue lorsque la courroie (C) peut être fléchi d'environ 1 po de sa ligne normale à mi-chemin entre les poulies par une pression du doigt.

5. Fermez la couverture supérieure.

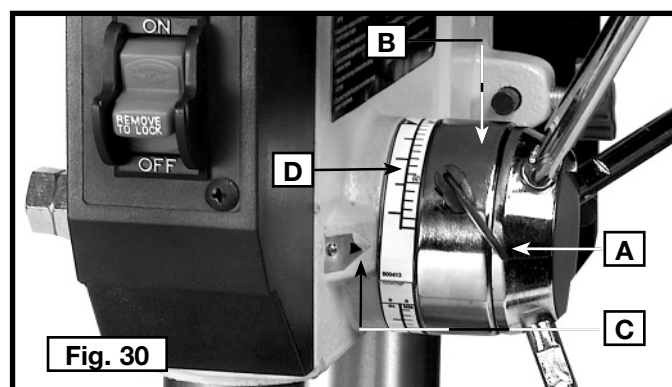
## PERÇAGE À UNE PROFONDEUR PARTICULIÈRE

Lorsque de nombreux trous doivent être percés exactement à la même profondeur, utilisez la butée de profondeur fournie sur le boîtier de l'arbre du pignon, comme suit :

### ⚠ AVERTISSEMENT DÉBRANCHEZ LA MACHINE.

1. Insérez un foret dans le mandrin.
2. Abaissez la broche jusqu'à ce que l'aiguille (C) fig. 30 s'aligne avec la profondeur voulue indiquée sur l'échelle (D).
3. Ensuite, serrez la vis de verrouillage (A).
4. Remettez la broche à la position relevée.
5. Mettez la pièce à percer sur le table. Relevez le table jusqu'à ce que le foret arrive au ras de la pièce.
6. Faites un trou d'essai pour vérifier l'ajustement.

**REMARQUE :** L'échelle (D) est calibrée en pouces et en millimètres.



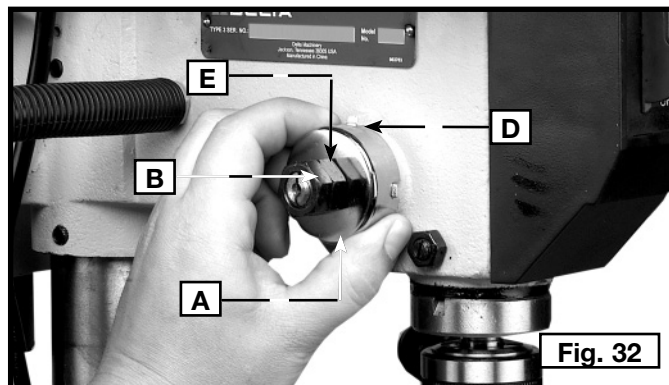
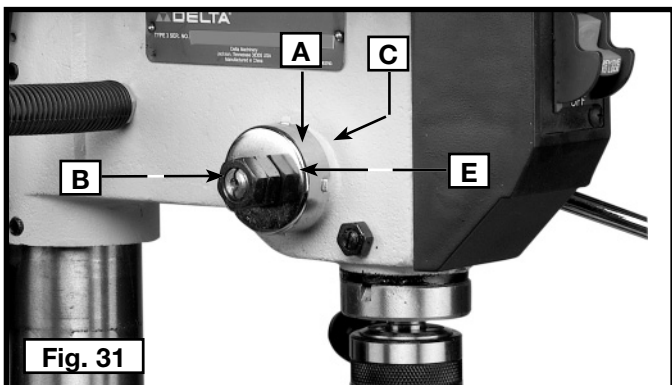
## RÉGLAGE DU RESSORT DE RETOUR DE LA BROCHE

La broche retourne automatiquement à sa position haute une fois l'une des trois manettes relâchée. Il est recommandé de retenir cette manette pour que la broche retourne lentement à sa position supérieure à la suite de chaque perçage. Ce ressort a été réglé d'une manière adéquate à l'usine et ne devrait pas être touché à moins que cela ne soit absolument nécessaire. Pour régler le ressort de retour de la broche, procédez comme suit :

### ⚠ AVERTISSEMENT DÉBRANCHEZ LA MACHINE.

1. Desserrez les écrous (B) et (E) fig. 31. Assurez-vous que le boîtier du ressort (A) reste bien logé sur le côté en fonte de la tête.
2. Tout en **TENANT FERMEMENT** le boîtier du ressort (A) fig. 32, tirez ce boîtier et tournez-le jusqu'à ce que la saillie (D) s'adapte au prochain cran du boîtier. Tournez le boîtier dans le sens antihoraire pour augmenter la tension du ressort et dans le sens horaire pour la réduire. Serrez l'écrou (E) jusqu'à ce qu'il entre en contact avec le boîtier du ressort (A) ensuite, reculez-le de 1/4 de tour. Serrez l'écrou (B) contre l'écrou (E) pour qu'ils retiennent bien le boîtier en place.

**IMPORTANT :** L'écrou intérieur (E), une fois serré, ne doit pas toucher le boîtier du ressort (A).



## RÉGLAGE DES LASERS

⚠ AVERTISSEMENT Débrancher la machine de la source d'alimentation.

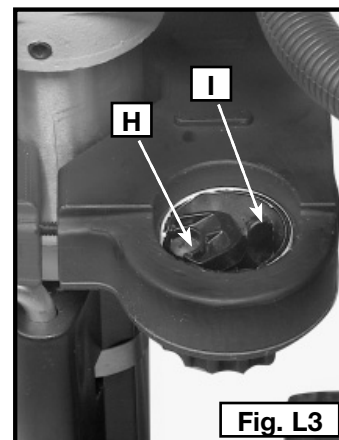
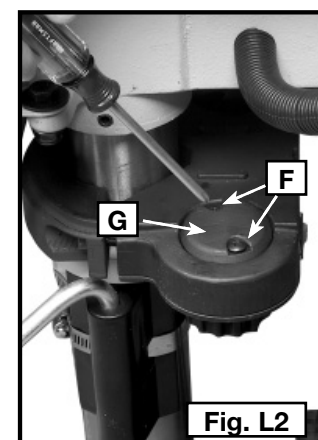
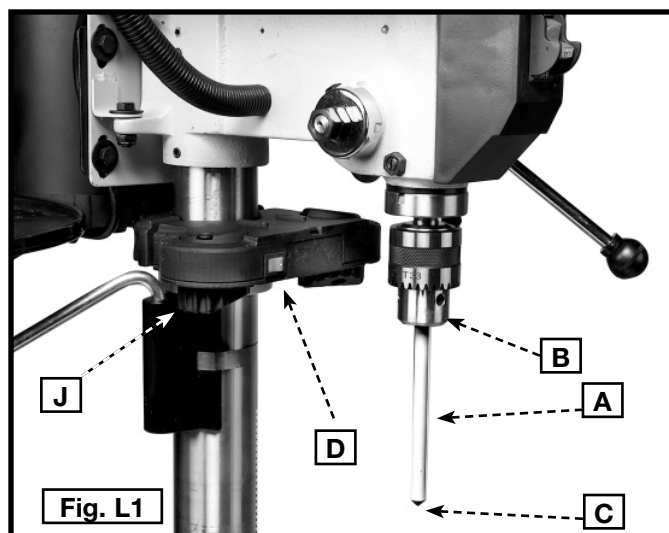
⚠ AVERTISSEMENT Rayonnement laser. Ne pas fixer du regard le faisceau, l'ouverture ou le reflet du rayon sur une surface réfléchissante.

### ALIGNEMENT PARALLÈLE DES LASERS

1. Insérer la goupille d'alignement (A) dans le mandrin (B). S'assurer que l'extrémité pointue (C) de la goupille pointe vers le bas comme indiqué à la figure L1. La ligne noire tracée devrait faire face au laser de gauche comme indiqué.
2. Allumer les lasers à l'aide de l'interrupteur (D) sur le devant du boîtier.
3. À l'aide d'un tournevis à tête cruciforme, déposer les deux vis (F, fig. L2), et le couvercle (G) au dessus du côté gauche du boîtier.
4. Desserrez la vis de sûreté (H, fig. L3) du laser.
5. Déplacer le levier du laser (I, fig. L3) de sorte que le faisceau brille sur la goupille d'alignement. Régler le levier (I) jusqu'à ce que le laser soit parallèle avec la ligne noire.

**REMARQUE :** Il sera peut-être nécessaire de déplacer le porte-laser (J, fig. L1) pour que le faisceau brille sur la goupille d'alignement. Une fois le faisceau sur la goupille, régler le laser à l'aide du levier (I)

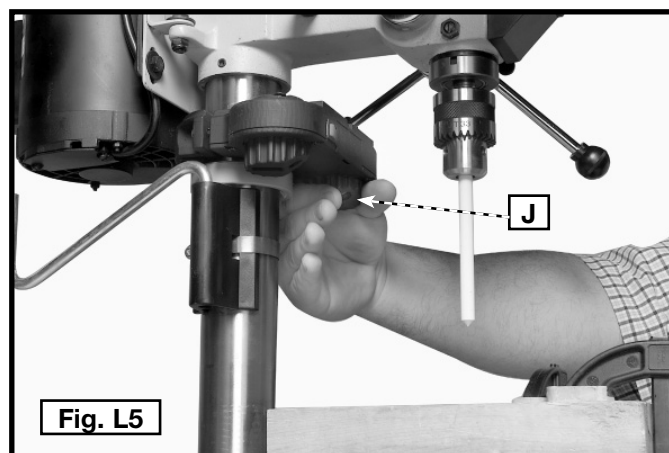
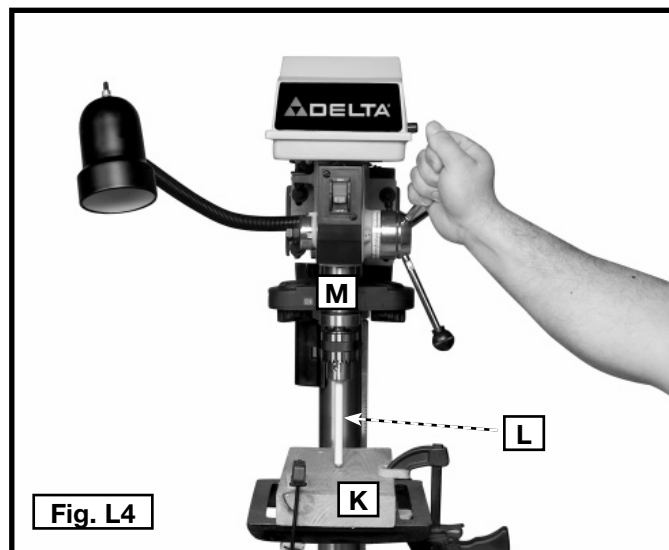
6. Une fois le tout terminé, serrer la vis de sûreté (H, fig. L3) du laser, puis replacer le couvercle (G, fig. L2) et serrer lâchement les deux vis (F).
7. Répéter pour le côté droit.





## RÉGLAGE DU POINT D'INTERSECTION DES LASERS

1. Placer une pièce de bois (K, fig. L5) sur la table et la fixer en place.
2. Tourner le fourreau (M) pour l'abaisser et faire une indentation dans le bois avec la goupille d'alignement (L) Fig. L4.
3. Allumer le laser et régler les deux faisceaux de sorte qu'ils se croisent à ce point en tournant le porte-laser (J, fig. L5).
4. Vérifier si les lasers s'alignent à différentes hauteurs en élevant ou abaissant la table. Faire une nouvelle indentation et allumer les lasers pour vérifier s'ils se croisent à ce point. Si les lasers ne se croisent pas à différentes hauteurs, refaire le réglage de l'alignement parallèle.
5. Une fois les lasers réglés, serrer les vis de chaque côté du boîtier du système laser. Deux d'entre elles sont illustrées en (F) à la figure L2.

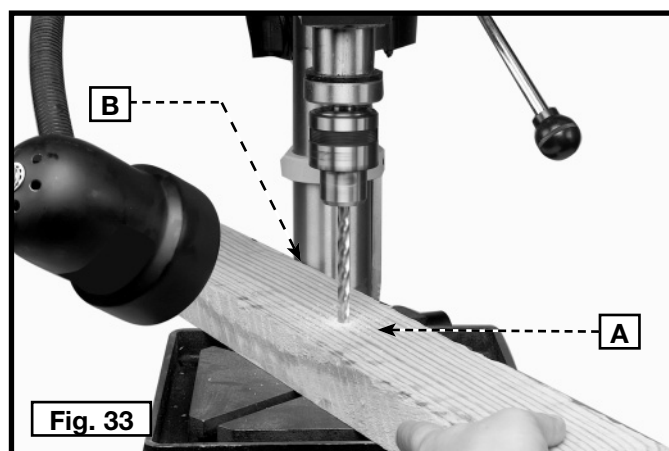


## UTILISATION DE LA MACHINE

### ⚠ AVERTISSEMENT

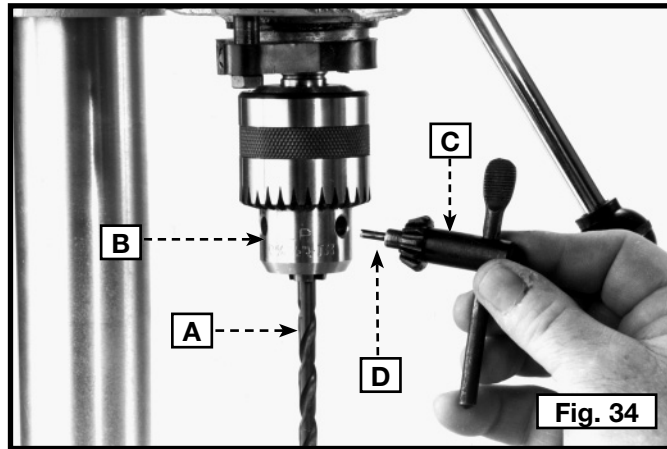
L'utilisation des accessoires non recommandés par Delta peut entraîner des blessures.

**IMPORTANT :** Lorsque la pièce à percer est assez longue, elle doit être placée sur la table, l'une des extrémités de celle-ci étant contre le côté gauche de la colonne, comme l'illustre la figure 33. Cela empêche la pièce de tourner avec le foret ou l'outil tranchant, au risque sinon d'endommager la pièce et blesser l'utilisateur. S'il n'est pas possible de placer la pièce contre la colonne, celle-ci doit toujours être fixée à l'aide de serre-joint ou placée dans un étau.



**REMARQUE:** Avant d'entreprendre le travail courant, faites des essais sur des chutes pour en prendre l'habitude.

## INSTALLATION ET ENLÈVEMENT DES FORETS



**REMARQUE :** Employez le peu de foret avec une jambe de 1/2" ou moins de diamètre.

### **⚠ AVERTISSEMENT** DÉBRANCHEZ LA MACHINE.

1. Insérez l'extrémité lisse du foret/de la mèche (A) fig. 34 aussi loin que possible dans le mandrin (B), puis reculez-la de 1/16 po ou bien jusqu'aux goujures dans le cas des petits forets.
2. Assurez-vous que le foret (A) fig. 34 est bien centré dans le mandrin (B) avant de serrer le mandrin avec la clé (C).
3. Tournez la clé (C) fig. 34 dans le sens horaire pour serrer les mâchoires et dans le sens antihoraire pour les desserrer.
4. Serrez les trois mâchoires pour bien fixer le foret afin que celui-ci ne patine pas lors du perçage.
5. ASSUREZ-VOUS que la clé de mandrin (C) fig. 34 est retirée du mandrin avant de mettre la perceuse à colonne en marche. Votre clé de mandrin (C) est équipée d'une goupille d'éjection (D) qui élimine la possibilité de laisser cette clé sur le mandrin.

**⚠ ATTENTION** Ne pas attacher la clé du mandrin à l'outil. Le cordon pourrait s'enchevêtrer, le mandrin pourrait être projeté en direction de l'utilisateur ou l'outil pourrait s'endommager.

## BONNES VITESSES DE PERÇAGE

Facteurs déterminant le meilleur régime de travail sur les perceuses à colonne : la sorte de matériau, la grandeur du trou, le genre de foret ou d'outil, et la qualité de la coupe voulue.

**⚠ AVERTISSEMENT** Utilisez la vitesse recommandée pour le foret et le matériau à percer.

## PERÇAGE DU BOIS

Les forets à goujures hélicoïdales, bien que prévus pour le perçage des métaux, peuvent aussi être employés pour percer le bois. Toutefois, les mèches sont généralement préférées pour le travail du bois; elles coupent un trou dont le fond est plat et sont conçues pour permettre l'enlèvement des copeaux. N'employez pas de mèches à main dotées d'une pointe à vis; car avec la vitesse de la perceuse cette pointe peut faire soulever la pièce hors du table et la faire tourbillonner. Pour un perçage total, alignez le table afin que la mèche pénètre dans le trou central et évitez ainsi des dommages. Faites une ligne de repère verticale sur le devant de la colonne et un repère correspondant sur le support du table et sur la tête de perceuse à colonne, afin que le table et la tête de la perceuse à colonne puissent être verrouillés à la position centrale à n'importe quelle hauteur. Abaissez lentement la broche lorsque la mèche se trouve au point de traverser la pièce, pour empêcher d'endommager son côté inférieur. Utilisez un morceau de bois de rebut en tant que base à placer sous la pièce à percer; ceci réduit les éclats et protège la pointe de la mèche.

## PERÇAGE DES MÉTAUX

Utilisez des serre-joints pour maintenir en place la pièce en métal à percer. Il ne faut jamais la tenir à la main; le foret peut entraîner la pièce à n'importe quel moment et surtout lorsque le foret la traverse. L'opérateur pourrait être blessé par la pièce arrachée de sa main. De plus, le foret pourrait se briser au moment où la pièce à percer frappe la colonne. La pièce à perforer doit être bien serrée lors du perçage; car toute inclinaison, tortillement ou déplacement donne un trou inégal, et augmente aussi le risque de casser le foret. Pour les pièces plates, posez ces dernières sur une base en bois et serrez-les fermement sur le table pour les empêcher de tourner. Calez et serrez bien toute pièce de forme irrégulière qui ne peut pas être posée à plat sur le table.

## DEPANNAGE

Pour l'assistance avec votre outil, visiter notre site web à [www.deltamachinery.com](http://www.deltamachinery.com) pour une liste de centres de maintenance ou appeler la ligne d'aide de Delta Machinery à 1-800-223-7278. (Canada: 1-800-463-3582).

## ENTRETIEN

### GARDER LA MACHINE PROPRE

Dégager régulièrement toutes les conduites d'air avec de l'air comprimé sec. Toutes les pièces en plastique doivent être nettoyées à l'aide d'un chiffon doux humide. NE JAMAIS utiliser de solvants pour nettoyer les pièces en plastique. Les solvants peuvent dissoudre ou endommager le matériel.

**▲ AVERTISSEMENT** PORTER DES PROTECTIONS OCULAIRE ET AUDITIVE HOMOLOGUÉES ET UTILISER UN APPAREIL RESPIRATOIRE LORS DE L'UTILISATION D'AIR COMPRIMÉ.

### DÉMARRAGE IMPOSSIBLE

Si la machine ne démarre pas, s'assurer que les lames de la fiche du cordon d'alimentation sont bien enfoncées dans la prise de courant. Vérifier également que les fusibles ne sont pas grillés ou que le disjoncteur ne s'est pas déclenché.

### LUBRIFICATION ET PROTECTION CONTRE LA ROUILLE

Appliquer chaque semaine une cire à parquets d'usage domestique sur la table de la machine, sur la rallonge de table ou toute autre surface de travail. Ou utiliser un produit protecteur commercial conçu à cet effet. Suivre les directives du fabricant pour l'utilisation et la sécurité.

Pour nettoyer les tables en fonte contre la rouille, utiliser le matériel suivant : un table-poussoir de rainureuse, une feuille de papier à poncer Scotch-Brite™ medium, une boîte de WD-40® et une boîte de dégraissant. Appliquer le WD-40 et polir la surface de la table avec le papier à poncer Scotch-Brite, en utilisant le table-poussoir comme serre-flan. Dégraisser la table puis appliquer le produit protecteur comme décrit ci-dessus.

## SERVICE

### PIÈCES DE RECHANGE

Utiliser seulement des pièces de rechange identiques. Pour obtenir une liste des pièces de rechange ou pour en commander, consulter notre site Web au [servicenet.deltamachinery.com](http://servicenet.deltamachinery.com). Commander aussi des pièces auprès d'une succursale d'usine ou composer le 1-800-223-7278 pour le service à la clientèle et recevoir ainsi une assistance personnalisée de techniciens bien formés.

### ENTRETIEN ET RÉPARATION

Tous les outils de qualité finissent par demander un entretien ou un changement de pièce. Pour de plus amples renseignements à propos de Delta Machinery, ses succursales d'usine ou un centre de réparation sous

garantie autorisé, consulter notre site Web au [www.deltamachinery.com](http://www.deltamachinery.com) ou composer le 1-800-223-7278 pour le service à la clientèle. Toutes les réparations effectuées dans nos centres de réparation sont entièrement garanties contre les défauts de matériaux et de main-d'oeuvre. Nous ne pouvons garantir les réparations effectuées en partie ou totalement par d'autres.

Pour de plus amples renseignements par courrier, écrire à Delta Machinery, 4825 Highway 45 North, Jackson, Tennessee 38305, É.-U. – à l'attention de : Product Service. S'assurer d'indiquer toutes les informations figurant sur la plaque signalétique de l'outil (numéro du modèle, type, numéro de série, etc.).

# ACCESSOIRES

Une ligne complète des accessoires est fournie des centres commerciaux d'usine de par votre de Porter-Cable•Delta fournisseur, de Porter-Cable•Delta, et des stations service autorisées par Porter-Cable. Veuillez visiter notre site Web [www.deltamachinery.com](http://www.deltamachinery.com) pour un catalogue ou pour le nom de votre fournisseur plus proche.

**⚠ AVERTISSEMENT** DEPUIS DES ACCESSOIRES AUTRE QUE CEUX OFFERTS PAR PORTER-CABLE•DELTA N'ONT PAS ÉTÉ TESTÉS AVEC CE PRODUIT, UTILISATION DE TELS ACCESSOIRES A PU ÊTRE DANGEREUX. POUR L'EXPLOITATION SÛRE, SEULEMENT PORTER-CABLE•DELTA A RECOMMANDÉ DES ACCESSOIRES DEVRAIT ÊTRE UTILISÉ AVEC CE PRODUIT.

# GARANTIE

Pour enregistrer votre outil pour la garantie service la visite notre site Web à [www.deltamachinery.com](http://www.deltamachinery.com).

## Garantie limitée de deux ans

Delta réparera ou remplacera, à ses frais et à sa discrétion, toute nouvelle machine Delta, pièce de rechange ou tout accessoire qui, dans des circonstances d'utilisation normale, s'est avéré défectueux en raison de défauts de matériau ou de fabrication, à condition que le client retourne le produit (transport payé d'avance) au centre de réparation de l'usine Delta ou à un centre de réparation autorisé accompagné d'une preuve d'achat et dans les deux ans de la date d'achat du produit, et fournisse à Delta une opportunité raisonnable de vérifier le défaut présumé par une inspection. La période de garantie des produits Delta réusinés est de 180 jours. Delta peut demander que les moteurs électriques soient retournés (transport payé d'avance) à un centre de réparation autorisé du fabricant du moteur en vue d'une inspection, d'une réparation ou d'un remplacement. Delta ne peut être tenu pour responsable des défauts résultants de l'usure normale, de la mauvaise utilisation, de l'abus, de la réparation ou de la modification du produit, sauf en cas d'autorisation spécifique d'un centre de réparation ou d'un représentant Delta autorisé. En aucune circonstance Delta ne peut être tenu pour responsable des dommages accidentels ou indirects résultant d'un produit défectueux. Cette garantie constitue la seule garantie de Delta et le recours exclusif des clients en ce qui concerne les produits défectueux ; toutes les autres garanties, expresse ou implicites, de qualité marchande, d'adéquation à un usage particulier, ou autre, sont expressément déclinées par Delta.

The following are trademarks of PORTER-CABLE • DELTA (Las siguientes son marcas registradas de PORTER-CABLE • DELTA S.A.) (Les marques suivantes sont des marques de fabricant de la PORTER-CABLE • DELTA): Auto-Set®, BAMMER®, B.O.S.S.®, Builder's Saw®, Contractor's Saw®, Contractor's Saw II™, Delta®, DELTACRAFT®, DELTAGRAM™, Delta Series 2000™, DURATRONIC™, Erc2™, FLEX®, Flying Chips™, FRAME SAW®, Grip Vac™, Homecraft®, INNOVATION THAT WORKS®, Jet-Lock®, JETSTREAM®, 'kickstand®, LASERLOC®, MICRO-SET®, Micro-Set®, MIDI LATHE®, MORTEN™, NETWORK™, OMNIJIG®, POCKET CUTTER®, PORTA-BAND®, PORTA-PLANE®, PORTER-CABLE®&(design), PORTER-CABLE®PROFESSIONAL POWER TOOLS, PORTER-CABLE REDEFINING PERFORMANCE™, Posi-Matic®, Q-3®&(design), QUICKSAND®&(design), QUICKSET™, QUICKSET II®, QUICKSET PLUS™, RIPTIDE™&(design), SAFE GUARD II®, SAFE-LOC®, Sanding Center®, SANDTRAP®&(design), SAW BOSS®, Sawbuck™, Sidekick®, SPEED-BLOC®, SPEEDMATIC®, SPEEDTRONIC®, STAIR EASE®, The American Woodshop®&(design), The Lumber Company®&(design), THE PROFESSIONAL EDGE®, THE PROFESSIONAL SELECT®, THIN-LINE™, TIGER®, TIGER CUB®, TIGER SAW®, TORQBUSTER®, TORQ-BUSTER®, TRU-MATCH™, TWIN-LITE®, UNIGUARD®, Unifence®, UNIFEEDER™, Unihead®, Uniplane™, Unirip®, Unisaw®, Univise®, Versa-Feeder®, VERSA-PLANE®, WHISPER SERIES®, WOODWORKER'S CHOICE™.

Trademarks noted with ™ and ® are registered in the United States Patent and Trademark Office and may also be registered in other countries. Las Marcas Registradas con el signo de ™ y ® son registradas por la Oficina de Registros y Patentes de los Estados Unidos y también pueden estar registradas en otros países. Marques déposées, indiquées par la lettre ™ et ®, sont déposées au Bureau des brevets d'invention et marques déposées aux Etats-Unis et pourraient être déposées aux autres pays.



Delta Machinery  
4825 Highway 45 North  
Jackson, TN 38305  
[www.deltamachinery.com](http://www.deltamachinery.com)

## Free Manuals Download Website

<http://myh66.com>

<http://usermanuals.us>

<http://www.somanuals.com>

<http://www.4manuals.cc>

<http://www.manual-lib.com>

<http://www.404manual.com>

<http://www.luxmanual.com>

<http://aubethermostatmanual.com>

Golf course search by state

<http://golfingnear.com>

Email search by domain

<http://emailbydomain.com>

Auto manuals search

<http://auto.somanuals.com>

TV manuals search

<http://tv.somanuals.com>