

8 Mbit (1024K x 8/512K x 16) nvSRAM

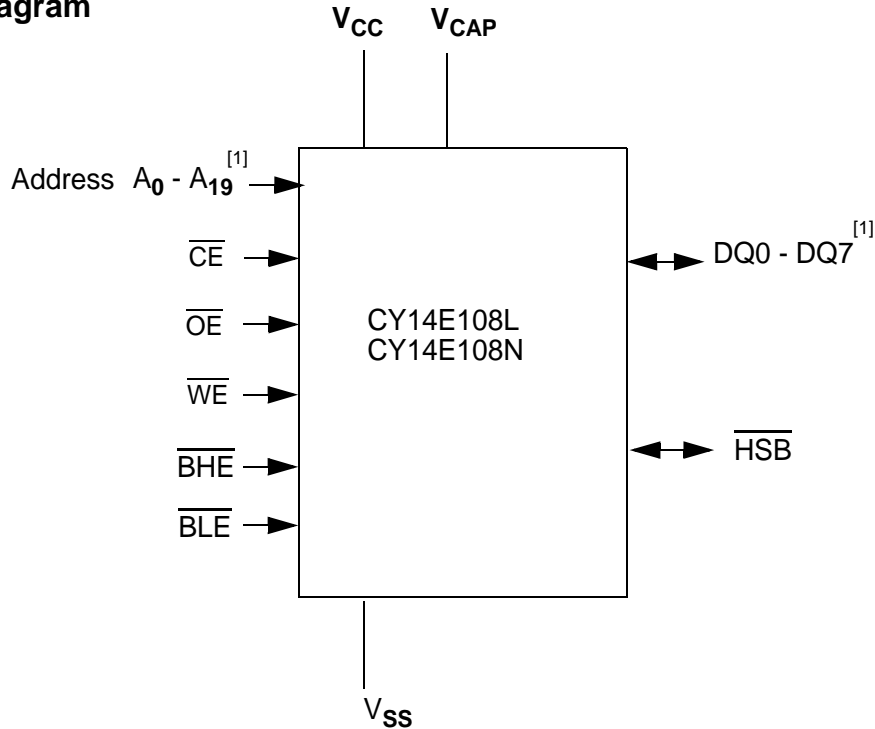
Features

- 20 ns, 25 ns, and 45 ns access times
- Internally organized as 1024K x 8 (CY14E108L) or 512K x 16 (CY14E108N)
- Hands off automatic STORE on power down with only a small capacitor
- STORE to QuantumTrap® nonvolatile elements initiated by software, device pin, or AutoStore® on power down
- RECALL to SRAM initiated by software or power up
- Infinite read, write, and recall cycles
- 200,000 STORE cycles to QuantumTrap
- 20 year data retention
- Single 5V ±10% operation
- Commercial and industrial temperatures
- 48-pin FBGA, 44 and 54-pin TSOP II packages
- Pb-free and RoHS compliance

Functional Description

The Cypress CY14E108L/CY14E108N is a fast static RAM, with a nonvolatile element in each memory cell. The memory is organized as 1024K words of 8 bits each or 512K words of 16 bits each. The embedded nonvolatile elements incorporate QuantumTrap technology, producing the world's most reliable nonvolatile memory. The SRAM provides infinite read and write cycles, while independent nonvolatile data resides in the highly reliable QuantumTrap cell. Data transfers from the SRAM to the nonvolatile elements (the STORE operation) takes place automatically at power down. On power up, data is restored to the SRAM (the RECALL operation) from the nonvolatile memory. Both the STORE and RECALL operations are also available under software control.

Logic Block Diagram



Note

1. Address A₀ - A₁₉ and Data DQ₀ - DQ₇ for x8 configuration, Address A₀ - A₁₈ and Data DQ₀ - DQ₁₅ for x16 configuration.

Pinouts

Figure 1. Pin Diagram - 48 FBGA

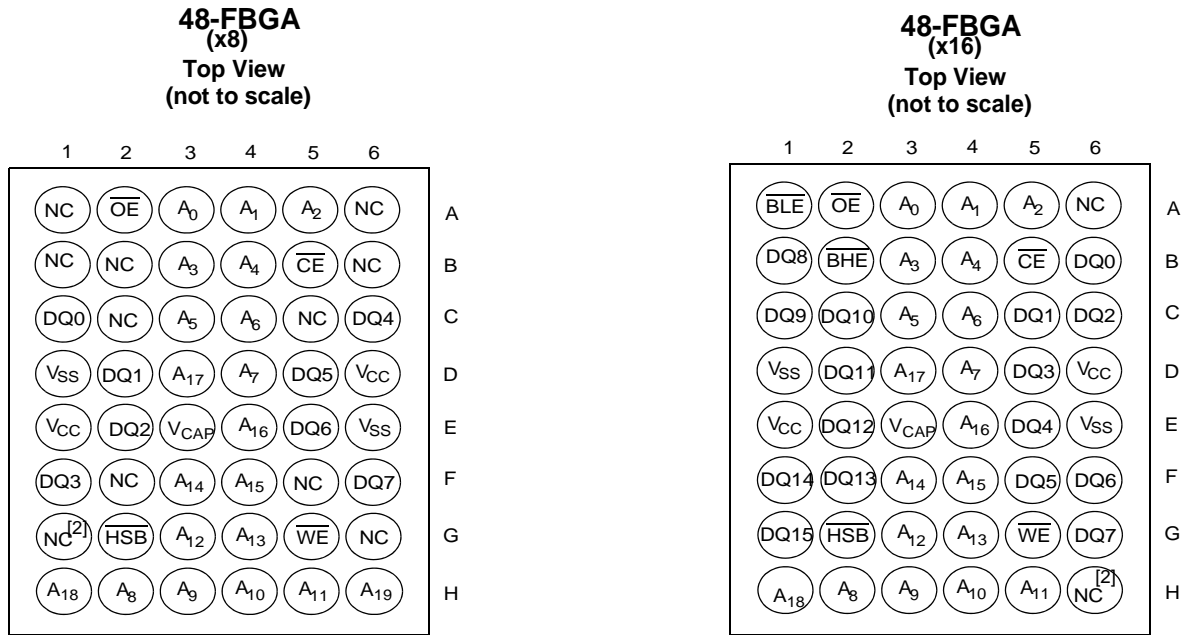
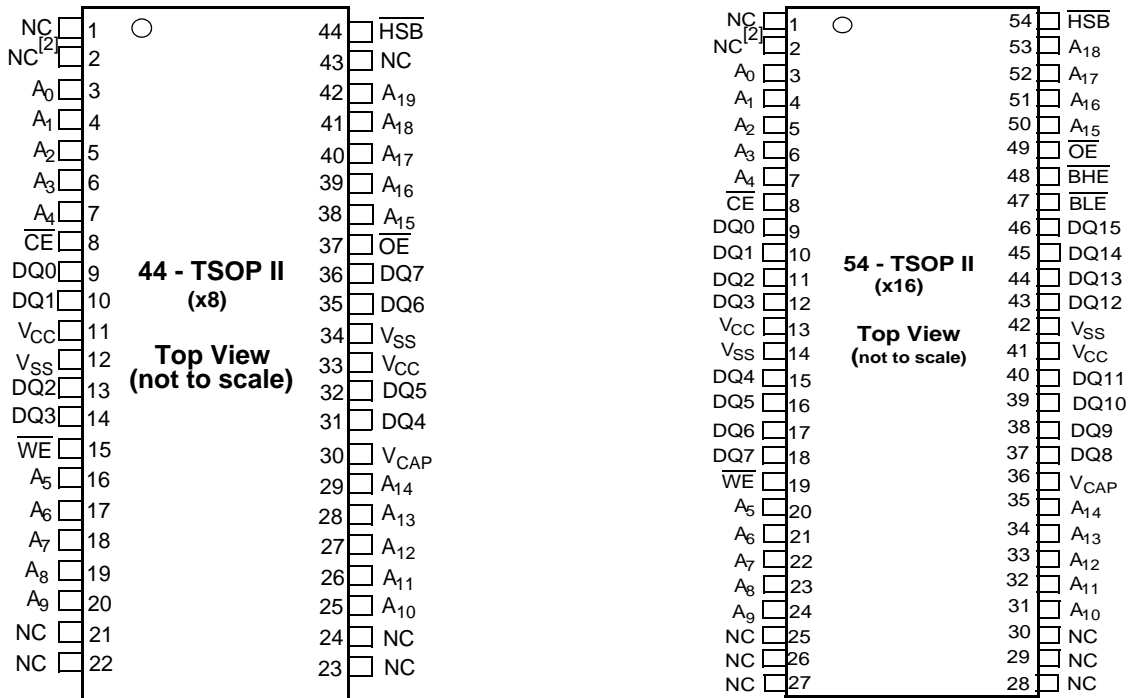


Figure 2. Pin Diagram - 44/54 TSOP II



Note

2. Address expansion for 16 Mbit. NC pin not connected to die.

Pin Definitions

Pin Name	IO Type	Description
A ₀ – A ₁₉	Input	Address Inputs Used to Select One of the 1,048,576 bytes of the nvSRAM for x8 Configuration.
A ₀ – A ₁₈		Address Inputs Used to Select One of the 524, 288 bytes of the nvSRAM for x16 Configuration.
DQ ₀ – DQ ₇	Input/Output	Bidirectional Data IO Lines for x8 Configuration. Used as input or output lines depending on operation.
DQ ₀ – DQ ₁₅		Bidirectional Data IO Lines for x16 Configuration. Used as input or output lines depending on operation.
\overline{WE}	Input	Write Enable Input, Active LOW. When selected LOW, data on the IO pins is written to the address location latched by the falling edge of CE.
\overline{CE}	Input	Chip Enable Input, Active LOW. When LOW, selects the chip. When HIGH, deselects the chip.
\overline{OE}	Input	Output Enable, Active LOW. The active LOW \overline{OE} input enables the data output buffers during read cycles. IO pins are tri-stated on deasserting \overline{OE} high.
\overline{BHE}	Input	Byte High Enable, Active LOW. Controls DQ ₁₅ - DQ ₈ .
\overline{BLE}	Input	Byte Low Enable, Active LOW. Controls DQ ₇ - DQ ₀ .
V _{SS}	Ground	Ground for the Device. Must be connected to the ground of the system.
V _{CC}	Power Supply	Power Supply Inputs to the Device.
\overline{HSB}	Input/Output	Hardware Store Busy (HSB). When LOW this output indicates that a hardware store is in progress. When pulled LOW external to the chip it initiates a nonvolatile STORE operation. A weak internal pull up resistor keeps this pin HIGH if not connected (connection optional).
V _{CAP}	Power Supply	AutoStore Capacitor. Supplies power to the nvSRAM during power loss to store data from the SRAM to nonvolatile elements.
NC	No Connect	No Connect. Do not connect this pin to the die.

Device Operation

The CY14E108L/CY14E108N nvSRAM is made up of two functional components paired in the same physical cell. They are an SRAM memory cell and a nonvolatile QuantumTrap cell. The SRAM memory cell operates as a standard fast static RAM. Data in the SRAM is transferred to the nonvolatile cell (the STORE operation), or from the nonvolatile cell to the SRAM (the RECALL operation). Using this unique architecture all cells are stored and recalled in parallel. During the STORE and RECALL operations SRAM read and write operations are inhibited. The CY14E108L/CY14E108N supports infinite reads and writes similar to a typical SRAM. In addition, it provides infinite RECALL operations from the nonvolatile cells and up to 200K STORE operations.

SRAM Read

The CY14E108L/CY14E108N performs a READ cycle when \overline{CE} and OE are LOW and WE and HSB are HIGH. The address specified on pins A₀₋₁₉ or A₀₋₁₈ determines which of the 1,048,576 data bytes or 524,288 words of 16 bits each is accessed. When the read is initiated by an address transition, the outputs are valid after a delay of t_{AA}. If the read is initiated by \overline{CE} or OE, the outputs are valid at t_{ACE} or at t_{DOE}, whichever is later. The data outputs repeatedly respond to address changes within the t_{AA} access time without the need for transitions on any control input pins. This remains valid until another address change or until CE or OE is brought HIGH, or WE or HSB is brought LOW.

SRAM Write

A WRITE cycle is performed when \overline{CE} and \overline{WE} are LOW and HSB is HIGH. The address inputs must be stable before entering the WRITE cycle and must remain stable until either \overline{CE} or WE goes high at the end of the cycle. The data on the common IO pins DQ₀₋₁₅ are written into the memory if the data is valid t_{SD} before the end of a \overline{WE} controlled WRITE or before the end of a \overline{CE} controlled WRITE. It is recommended that OE be kept HIGH during the entire WRITE cycle to avoid data bus contention on common IO lines. If OE is left LOW, internal circuitry turns off the output buffers t_{HZWE} after WE goes LOW.

AutoStore Operation

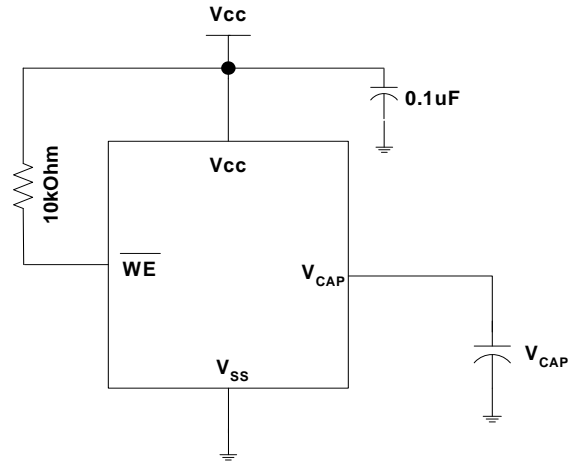
The CY14B108L/CY14B108N stores data to the nvSRAM using one of the following three storage operations: Hardware Store activated by HSB; Software Store activated by an address sequence; AutoStore on device power down. The AutoStore operation is a unique feature of QuantumTrap technology and is enabled by default on the CY14B108L/CY14B108N.

During a normal operation, the device draws current from V_{CC} to charge a capacitor connected to the V_{CAP} pin. This stored charge is used by the chip to perform a single STORE operation. If the voltage on the V_{CC} pin drops below V_{SWITCH}, the part automatically disconnects the V_{CAP} pin from V_{CC}. A STORE operation is initiated with power provided by the V_{CAP} capacitor.

Figure 3 shows the proper connection of the storage capacitor (V_{CAP}) for automatic store operation. Refer to the section DC Electrical Characteristics on page 7 for the size of V_{CAP}.

To reduce unnecessary nonvolatile stores, AutoStore and Hardware Store operations are ignored unless at least one WRITE operation has taken place since the most recent STORE or RECALL cycle. Software initiated STORE cycles are performed regardless of whether a WRITE operation has taken place. Monitor the HSB signal by the system to detect if an AutoStore cycle is in progress.

Figure 3. AutoStore Mode



Hardware STORE Operation

The CY14B108L/CY14B108N provides the \overline{HSB} pin to control and acknowledge the STORE operations. Use the HSB pin to request a hardware STORE cycle. When the HSB pin is driven LOW, the CY14B108L/CY14B108N conditionally initiates a STORE operation after t_{DELAY}. An actual STORE cycle only begins if a WRITE to the SRAM took place since the last STORE or RECALL cycle. The HSB pin also acts as an open drain driver that is internally driven LOW to indicate a busy condition while the STORE (initiated by any means) is in progress.

SRAM READ and WRITE operations that are in progress when HSB is driven LOW by any means are given time to complete before the STORE operation is initiated. After HSB goes LOW, the CY14B108L/CY14B108N continues SRAM operations for t_{DELAY}. During t_{DELAY}, multiple SRAM READ operations may take place. If a WRITE is in progress when HSB is pulled low it is allowed a time, t_{DELAY} to complete. However, any SRAM WRITE cycles requested after HSB goes LOW is inhibited until HSB returns HIGH.

During any STORE operation, regardless of how it was initiated, the CY14B108L/CY14B108N continues to drive the HSB pin LOW, releasing it only when the STORE is complete. Upon completion of the STORE operation, the CY14B108L/CY14B108N remains disabled until the HSB pin returns HIGH. Leave the HSB unconnected if it is not used.

Hardware RECALL (Power Up)

During power up or after any low power condition (V_{CC} < V_{SWITCH}), an internal RECALL request is latched. When V_{CC} again exceeds the sense voltage of V_{SWITCH}, a RECALL cycle is automatically initiated and takes t_{HRECALL} to complete.

Software STORE

Transfer data from the SRAM to the nonvolatile memory with a software address sequence. The CY14B108L/CY14B108N software STORE cycle is initiated by executing sequential \overline{CE} controlled READ cycles from six specific address locations in exact order. During the STORE cycle an erase of the previous nonvolatile data is first performed, followed by a program of the nonvolatile elements. After a STORE cycle is initiated, further input and output are disabled until the cycle is completed.

Because a sequence of READs from specific addresses is used for STORE initiation, it is important that no other READ or WRITE accesses intervene in the sequence. If there are intervening READ or WRITE accesses, the sequence is aborted and no STORE or RECALL takes place.

To initiate the software STORE cycle, the following READ sequence must be performed.

1. Read Address 0x4E38 Valid READ
2. Read Address 0xB1C7 Valid READ
3. Read Address 0x83E0 Valid READ
4. Read Address 0x7C1F Valid READ
5. Read Address 0x703F Valid READ
6. Read Address 0x8FC0 Initiate STORE Cycle

The software sequence may be clocked with \overline{CE} controlled READs or \overline{OE} controlled READs. After the sixth address in the sequence is entered, the STORE cycle commences and the chip

is disabled. It is important to use READ cycles and not WRITE cycles in the sequence, although it is not necessary that \overline{OE} be LOW for a valid sequence. After the t_{STORE} cycle time is fulfilled, the SRAM is activated again for the READ and WRITE operation.

Software RECALL

Transfer the data from the nonvolatile memory to the SRAM with a software address sequence. A software RECALL cycle is initiated with a sequence of READ operations in a manner similar to the software STORE initiation. To initiate the RECALL cycle, the following sequence of \overline{CE} controlled READ operations must be performed.

1. Read Address 0x4E38 Valid READ
2. Read Address 0xB1C7 Valid READ
3. Read Address 0x83E0 Valid READ
4. Read Address 0x7C1F Valid READ
5. Read Address 0x703F Valid READ
6. Read Address 0x4C63 Initiate RECALL Cycle

Internally, RECALL is a two step procedure. First, the SRAM data is cleared and then the nonvolatile information is transferred into the SRAM cells. After the t_{RECALL} cycle time, the SRAM is again ready for READ and WRITE operations. The RECALL operation does not alter the data in the nonvolatile elements.

Table 1. Mode Selection

\overline{CE}	\overline{WE}	\overline{OE}	A15 - A0	Mode	IO	Power
H	X	X	X	Not Selected	Output High Z	Standby
L	H	L	X	Read SRAM	Output Data	Active
L	L	X	X	Write SRAM	Input Data	Active
L	H	L	0x4E38 0xB1C7 0x83E0 0x7C1F 0x703F 0x8B45	Read SRAM Read SRAM Read SRAM Read SRAM Read SRAM AutoStore Disable	Output Data Output Data Output Data Output Data Output Data Output Data	Active ^[3,4,5]
L	H	L	0x4E38 0xB1C7 0x83E0 0x7C1F 0x703F 0x4B46	Read SRAM Read SRAM Read SRAM Read SRAM Read SRAM AutoStore Enable	Output Data Output Data Output Data Output Data Output Data Output Data	Active ^[3,4,5]

Notes

3. The six consecutive address locations must be in the order listed. \overline{WE} must be HIGH during all six cycles to enable a nonvolatile cycle.
4. While there are 20/19 address lines on the CY14B108L/CY14B108N, only the lower 16 lines are used to control software modes.
5. IO state depends on the state of OE, BHE, and BLE. The IO table shown assumes OE, BHE, and BLE LOW.

Table 1. Mode Selection (continued)

\overline{CE}	\overline{WE}	\overline{OE}	A15 - A0	Mode	IO	Power
L	H	L	0x4E38 0xB1C7 0x83E0 0x7C1F 0x703F 0x8FC0	Read SRAM Read SRAM Read SRAM Read SRAM Read SRAM Nonvolatile Store	Output Data Output Data Output Data Output Data Output Data Output High Z	Active I _{CC2} ^[3,4,5]
L	H	L	0x4E38 0xB1C7 0x83E0 0x7C1F 0x703F 0x4C63	Read SRAM Read SRAM Read SRAM Read SRAM Read SRAM Nonvolatile Recall	Output Data Output Data Output Data Output Data Output Data Output High Z	Active ^[3,4,5]

Preventing AutoStore

The AutoStore function is disabled by initiating an AutoStore disable sequence. A sequence of read operations is performed in a manner similar to the software STORE initiation. To initiate the AutoStore disable sequence, the following sequence of \overline{CE} controlled read operations must be performed:

1. Read address 0x4E38 Valid READ
2. Read address 0xB1C7 Valid READ
3. Read address 0x83E0 Valid READ
4. Read address 0x7C1F Valid READ
5. Read address 0x703F Valid READ
6. Read address 0x8B45 AutoStore Disable

The AutoStore is re-enabled by initiating an AutoStore enable sequence. A sequence of read operations is performed in a manner similar to the software RECALL initiation. To initiate the AutoStore enable sequence, the following sequence of \overline{CE} controlled read operations must be performed:

1. Read address 0x4E38 Valid READ
2. Read address 0xB1C7 Valid READ
3. Read address 0x83E0 Valid READ
4. Read address 0x7C1F Valid READ
5. Read address 0x703F Valid READ
6. Read address 0x4B46 AutoStore Enable

If the AutoStore function is disabled or re-enabled a manual STORE operation (hardware or software) must be issued to save the AutoStore state through subsequent power down cycles. The part comes from the factory with AutoStore enabled.

Data Protection

The CY14E108L/CY14E108N protects data from corruption during low voltage conditions by inhibiting all externally initiated STORE and write operations. The low voltage condition is detected when $V_{CC} < V_{SWITCH}$. If the CY14E108L/CY14E108N is in a write mode (both \overline{CE} and \overline{WE} LOW) at power up, after a RECALL or STORE, the write is inhibited until a negative transition on \overline{CE} or \overline{WE} is detected. This protects against inadvertent writes during power up or brown out conditions.

Noise Considerations

Refer CY Application Note [AN1064](#).

Maximum Ratings

Exceeding maximum ratings may impair the useful life of the device. These user guidelines are not tested.

- Storage Temperature -65°C to +150°C
- Ambient Temperature with Power Applied -55°C to +150°C
- Supply Voltage on V_{CC} Relative to GND -0.5V to 7.0V
- Voltage Applied to Outputs in High-Z State -0.5V to V_{CC} + 0.5V
- Input Voltage -0.5V to V_{CC}+0.5V
- Transient Voltage (<20 ns) on Any Pin to Ground Potential -2.0V to V_{CC} + 2.0V

- Package Power Dissipation Capability (T_A = 25°C) 1.0W
- Surface Mount Pb Soldering Temperature (3 Seconds) +260°C
- Output Short Circuit Current ^[6] 15 mA
- Static Discharge Voltage > 2001V (per MIL-STD-883, Method 3015)
- Latch Up Current > 200 mA

Operating Range

Range	Ambient Temperature	V _{CC}
Commercial	0°C to +70°C	4.5V to 5.5V
Industrial	-40°C to +85°C	4.5V to 5.5V

DC Electrical Characteristics

Over the Operating Range (V_{CC} = 2.7V to 3.6V)^[8]

Parameter	Description	Test Conditions	Min	Max	Unit
I _{CC1}	Average V _{CC} Current	t _{RC} = 20 ns	Commercial	70	mA
		t _{RC} = 25 ns		70	mA
		t _{RC} = 45 ns		55	mA
		Dependent on output loading and cycle rate. Values obtained without output loads.	Industrial	75	mA
		I _{OUT} = 0 mA		75	mA
				57	mA
I _{CC2}	Average V _{CC} Current During STORE	All Inputs Don't Care, V _{CC} = Max Average current for duration t _{STORE}		12	mA
I _{CC3} ^[7]	Average V _{CC} Current at t _{RC} = 200 ns, 5V, 25°C typical	$\overline{WE} > (V_{CC} - 0.2)$. All other I/P cycling. Dependent on output loading and cycle rate. Values obtained without output loads.		38	mA
I _{CC4}	Average V _{CAP} Current During AutoStore Cycle	All Inputs Don't Care, V _{CC} = Max Average current for duration t _{STORE}		12	mA
I _{SB}	V _{CC} Standby Current	$\overline{CE} > (V_{CC} - 0.2)$. All others V _{IN} < 0.2V or > (V _{CC} - 0.2V). Standby current level after nonvolatile cycle is complete. Inputs are static. f = 0 MHz.		6	mA
I _{IX}	Input Leakage Current (except HSB)	V _{CC} = Max, V _{SS} ≤ V _{IN} ≤ V _{CC}	-2	+2	μA
	Input Leakage Current (For HSB)	V _{CC} = Max, V _{SS} ≤ V _{IN} ≤ V _{CC}	-200	+2	μA
I _{OZ}	Off-State Output Leakage Current	V _{CC} = Max, V _{SS} ≤ V _{IN} ≤ V _{CC} , \overline{CE} or $\overline{OE} > V_{IH}$	-2	+2	μA
V _{IH}	Input HIGH Voltage		2.0	V _{CC} + 0.5	V
V _{IL}	Input LOW Voltage		V _{SS} - 0.5	0.8	V
V _{OH}	Output HIGH Voltage	I _{OUT} = -2 mA	2.4		V
V _{OL}	Output LOW Voltage	I _{OUT} = 4 mA		0.4	V
V _{CAP}	Storage Capacitor	Between V _{CAP} pin and V _{SS} , 5V Rated	122	164	μF

Notes

- 6. Outputs shorted for no more than one second. No more than one output shorted at a time.
- 7. Typical conditions for the active current shown on the front page of the data sheet are average values at 25°C (room temperature) and V_{CC} = 5V. Not 100% tested.
- 8. The HSB pin has I_{OUT}=-10uA for V_{OH} of 2.4V. This parameter is characterized but not tested.

Capacitance

In the following table, the capacitance parameters are listed [9].

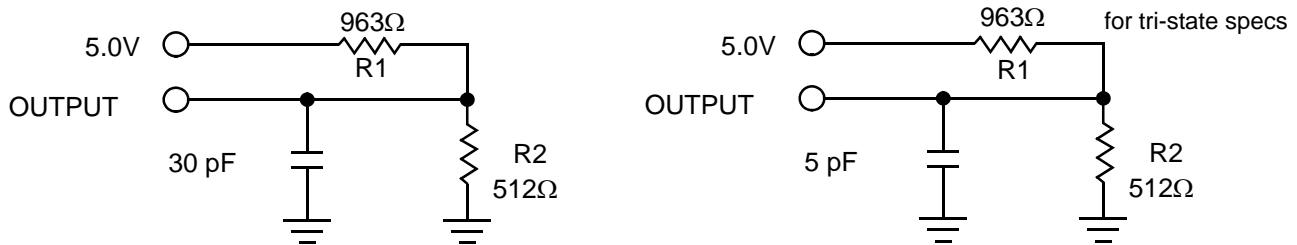
Parameter	Description	Test Conditions	Max	Unit
C _{IN}	Input Capacitance	T _A = 25°C, f = 1 MHz, V _{CC} = 0 to 3.0V	14	pF
C _{OUT}	Output Capacitance		14	pF

Thermal Resistance

In the following table, the thermal resistance parameters are listed [9].

Parameter	Description	Test Conditions	48-FBGA	44-TSOP II	54-TSOP II	Unit
θ _{JA}	Thermal Resistance (Junction to Ambient)	Test conditions follow standard test methods and procedures for measuring thermal impedance, in accordance with EIA/JESD51.	28.82	31.11	30.73	°C/W
θ _{JC}	Thermal Resistance (Junction to Case)		7.84	5.56	6.08	°C/W

Figure 4. AC Test Loads



AC Test Conditions

Input Pulse Levels0V to 3V
 Input Rise and Fall Times (10% - 90%) <5 ns
 Input and Output Timing Reference Levels 1.5V

Note

9. These parameters are guaranteed but not tested.

AC Switching Characteristics

In the following table, the AC switching characteristics are listed.

Parameters		Description	20 ns		25 ns		45 ns		Unit
Cypress Parameters	Alt Parameters		Min	Max	Min	Max	Min	Max	
SRAM Read Cycle									
t _{ACE}	t _{ACS}	Chip Enable Access Time		20		25		45	ns
t _{RC} ^[10]	t _{RC}	Read Cycle Time	20		25		45		ns
t _{AA} ^[11]	t _{AA}	Address Access Time		20		25		45	ns
t _{DOE}	t _{OE}	Output Enable to Data Valid		10		12		20	ns
t _{OHA}	t _{OH}	Output Hold After Address Change	3		3		3		ns
t _{LZCE} ^[12]	t _{LZ}	Chip Enable to Output Active	3		3		3		ns
t _{HZCE} ^[12]	t _{HZ}	Chip Disable to Output Inactive		8		10		15	ns
t _{LZOE} ^[12]	t _{OLZ}	Output Enable to Output Active	0		0		0		ns
t _{HZOE} ^[12]	t _{OHZ}	Output Disable to Output Inactive		8		10		15	ns
t _{PU} ^[10]	t _{PA}	Chip Enable to Power Active	0		0		0		ns
t _{PD} ^[10]	t _{PS}	Chip Disable to Power Standby		20		25		45	ns
t _{DBE}	-	Byte Enable to Data Valid		10		12		20	ns
t _{LZBE}	-	Byte Enable to Output Active	0		0		0		ns
t _{HZBE}	-	Byte Disable to Output Inactive		8		10		15	ns
SRAM Write Cycle									
t _{WC}	t _{WC}	Write Cycle Time	20		25		45		ns
t _{PWE}	t _{WP}	Write Pulse Width	15		20		30		ns
t _{SCE}	t _{CW}	Chip Enable To End of Write	15		20		30		ns
t _{SD}	t _{DW}	Data Setup to End of Write	8		10		15		ns
t _{HD}	t _{DH}	Data Hold After End of Write	0		0		0		ns
t _{AW}	t _{AW}	Address Setup to End of Write	15		20		30		ns
t _{SA}	t _{AS}	Address Setup to Start of Write	0		0		0		ns
t _{HA}	t _{WR}	Address Hold After End of Write	0		0		0		ns
t _{HZWE} ^[12,13]	t _{WZ}	Write Enable to Output Disable		8		10		15	ns
t _{LZWE} ^[12]	t _{OW}	Output Active after End of Write	3		3		3		ns
t _{BW}	-	Byte Enable to End of Write	15		20		30		ns

Notes

- 10. WE must be HIGH during SRAM read cycles.
- 11. Device is continuously selected with CE and OE both LOW.
- 12. Measured ±200 mV from steady state output voltage.
- 13. If WE is LOW when CE goes LOW, the output goes into high impedance state.

AutoStore and Power Up RECALL

Parameters	Description	CY14E108L/CY14E108N		Unit
		Min	Max	
$t_{HRECALL}^{[14]}$	Power Up RECALL Duration		20	ms
$t_{STORE}^{[15]}$	STORE Cycle Duration		15	ms
V_{SWITCH}	Low Voltage Trigger Level		4.4	V
$t_{VCCRISE}$	VCC Rise Time	150		μ s

Software Controlled STORE and RECALL Cycle

In the following table, the software controlled STORE/RECALL cycle parameters are listed.^[16, 17]

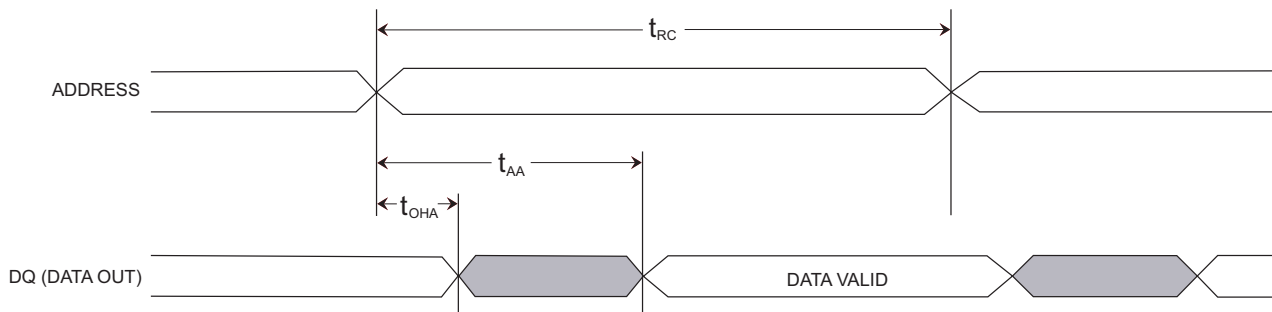
Parameters	Description	20ns		25ns		45ns		Unit
		Min	Max	Min	Max	Min	Max	
t_{RC}	STORE/RECALL Initiation Cycle Time	20		25		45		ns
t_{AS}	Address Setup Time	0		0		0		ns
t_{CW}	Clock Pulse Width	15		20		30		ns
t_{GHAX}	Address Hold Time	1		1		1		ns
t_{RECALL}	RECALL Duration		200		200		200	μ s
$t_{SS}^{[18, 19]}$	Soft Sequence Processing Time		70		70		70	μ s

Hardware STORE Cycle

Parameters	Description	CY14E108L/CY14E108N		Unit
		Min	Max	
$t_{DELAY}^{[20]}$	Time allowed to complete SRAM cycle	1	70	μ s
t_{HLHX}	Hardware STORE pulse width	15		ns

Switching Waveforms

Figure 5. SRAM Read Cycle #1: Address Controlled^[10, 11, 21]



Notes

14. $t_{HRECALL}$ starts from the time V_{CC} rises above V_{SWITCH} .
15. If an SRAM Write has not taken place since the last nonvolatile cycle, no STORE takes place.
16. The software sequence is clocked with \overline{CE} controlled or \overline{OE} controlled reads.
17. The six consecutive addresses must be read in the order listed in the mode selection table. \overline{WE} must be HIGH during all six consecutive cycles.
18. This is the amount of time it takes to take action on a soft sequence command. V_{CC} power must remain HIGH to effectively register command.
19. Commands such as STORE and RECALL lock out IO until operation is complete which further increases this time. See the specific command
20. On a hardware STORE initiation, SRAM operation continues to be enabled for time t_{DELAY} to allow read and write cycles to complete.
21. \overline{HSB} must remain HIGH during READ and WRITE cycles.

Switching Waveforms (continued)

Figure 6. SRAM Read Cycle #2: \overline{CE} and \overline{OE} Controlled^[10, 21, 23]

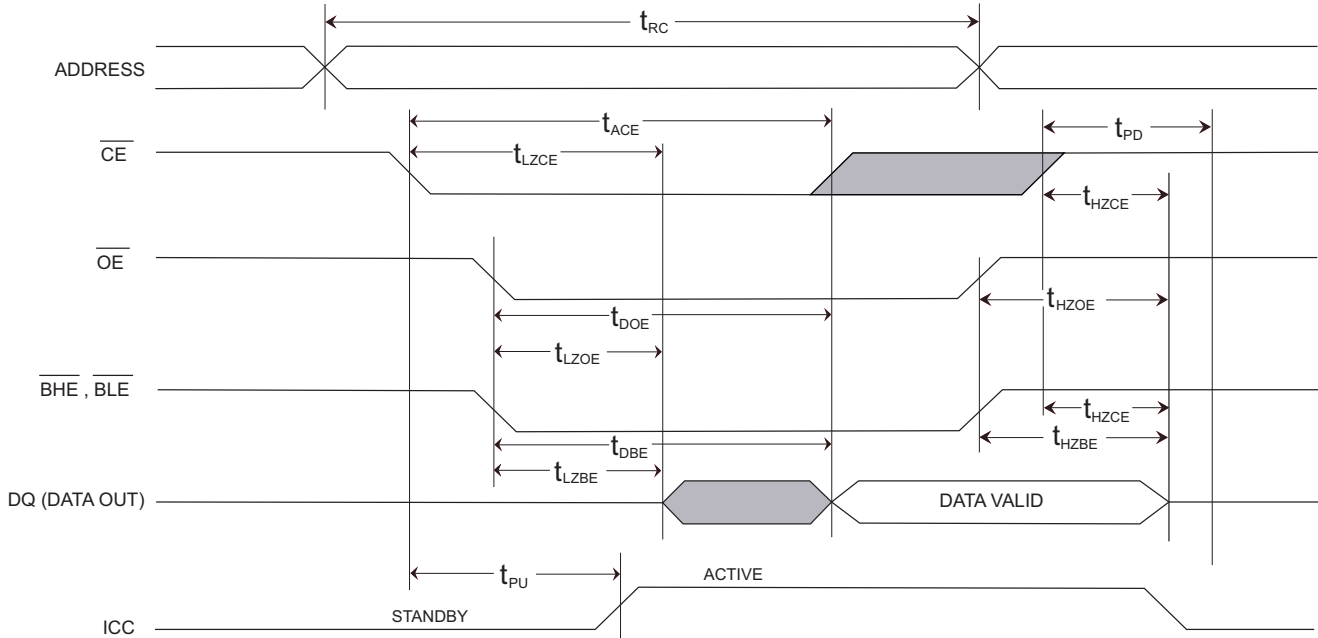
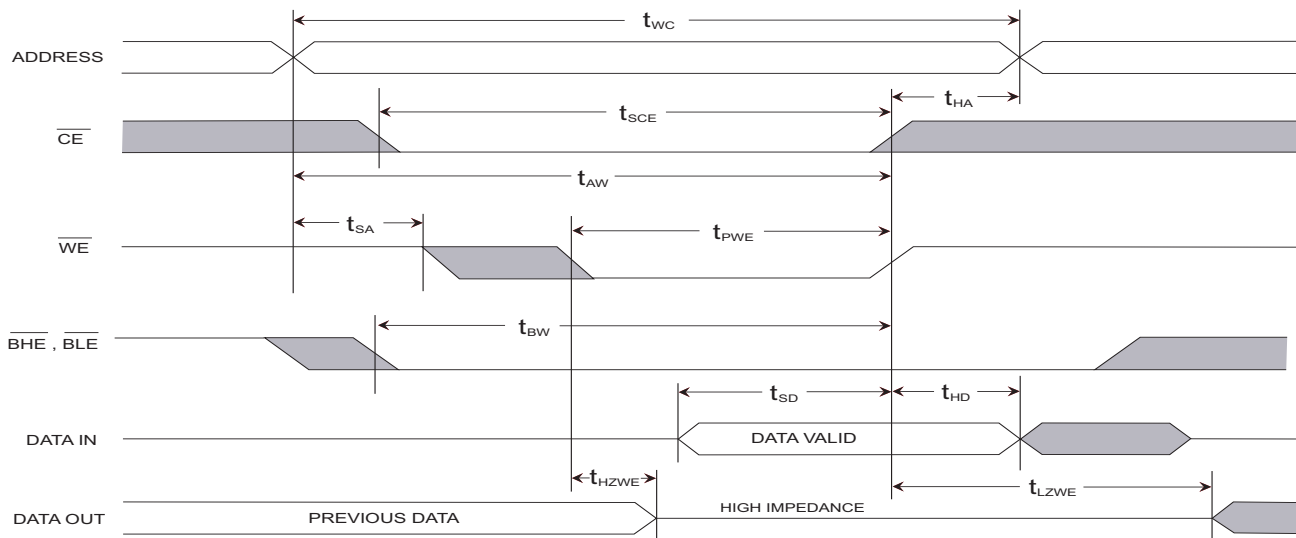


Figure 7. SRAM Write Cycle #1: \overline{WE} Controlled^[13, 21, 22, 23]



Notes

- 22. \overline{CE} or \overline{WE} must be $\geq V_{IH}$ during address transitions.
- 23. BHE and BLE are applicable for x16 configuration only.

Switching Waveforms (continued)

Figure 8. SRAM Write Cycle #2: $\overline{\text{CE}}$ Controlled^[13, 21, 22, 23]

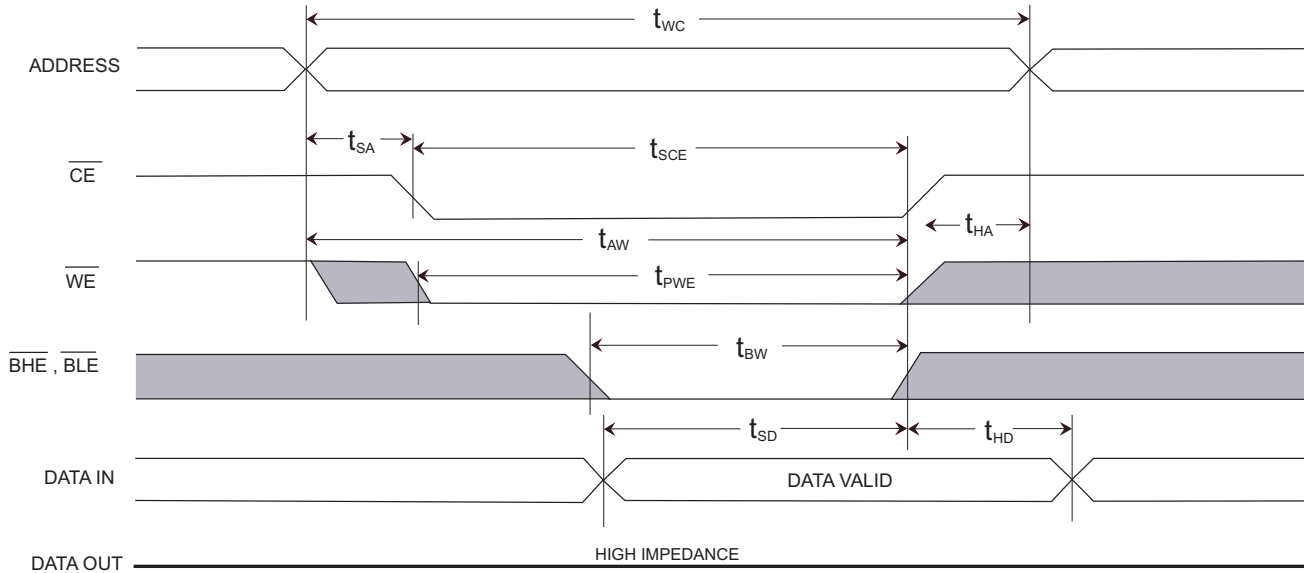
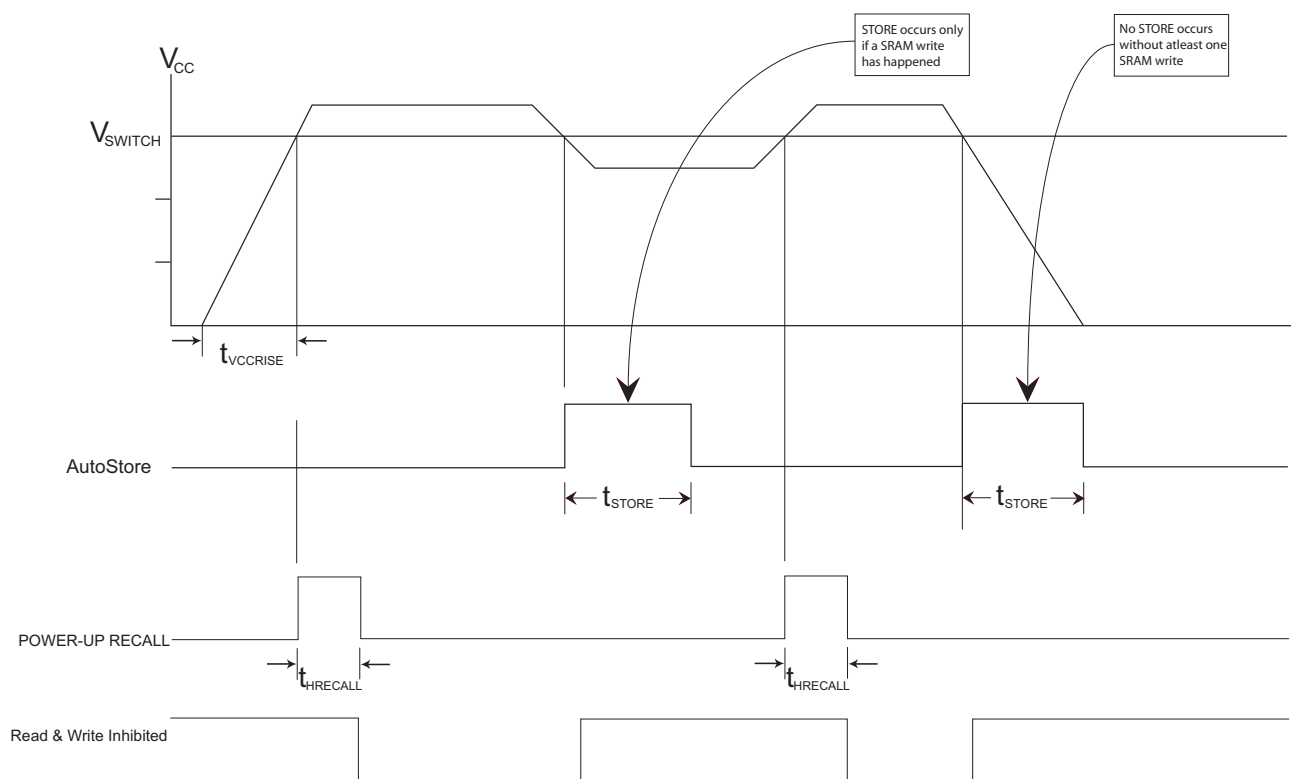


Figure 9. AutoStore or Power Up RECALL^[24]



Note
24. Read and Write cycles are ignored during STORE, RECALL, and while VCC is below V_{SWITCH} .

Switching Waveforms (continued)

Figure 10. $\overline{\text{CE}}$ Controlled Software STORE/RECALL Cycle^[17]

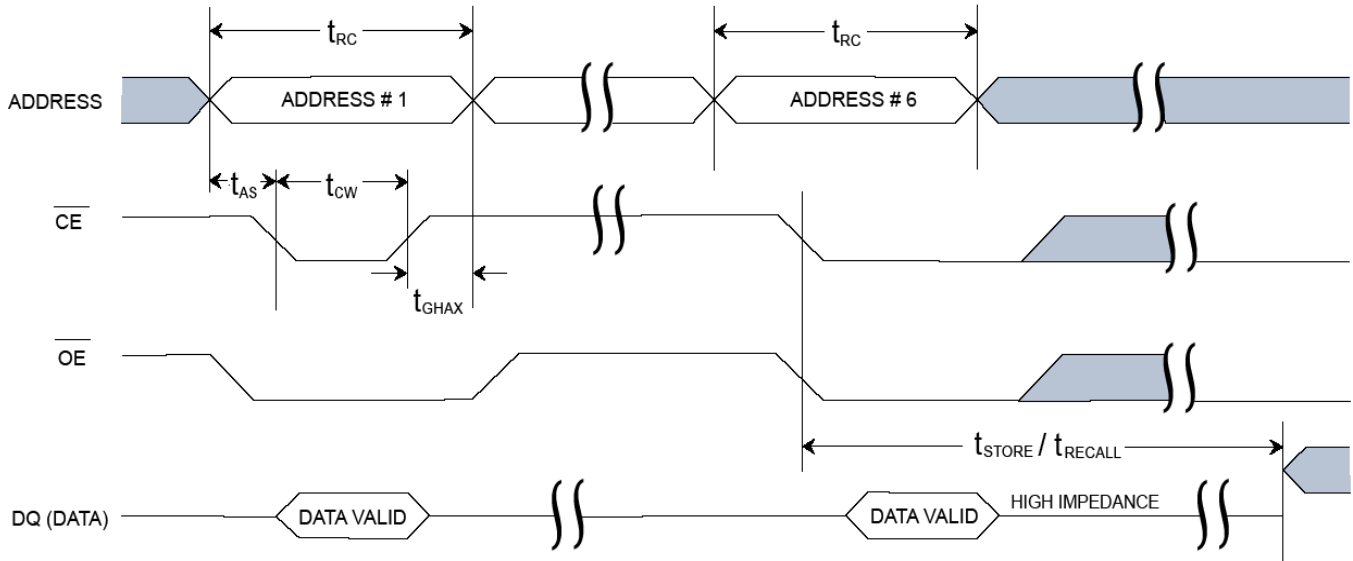
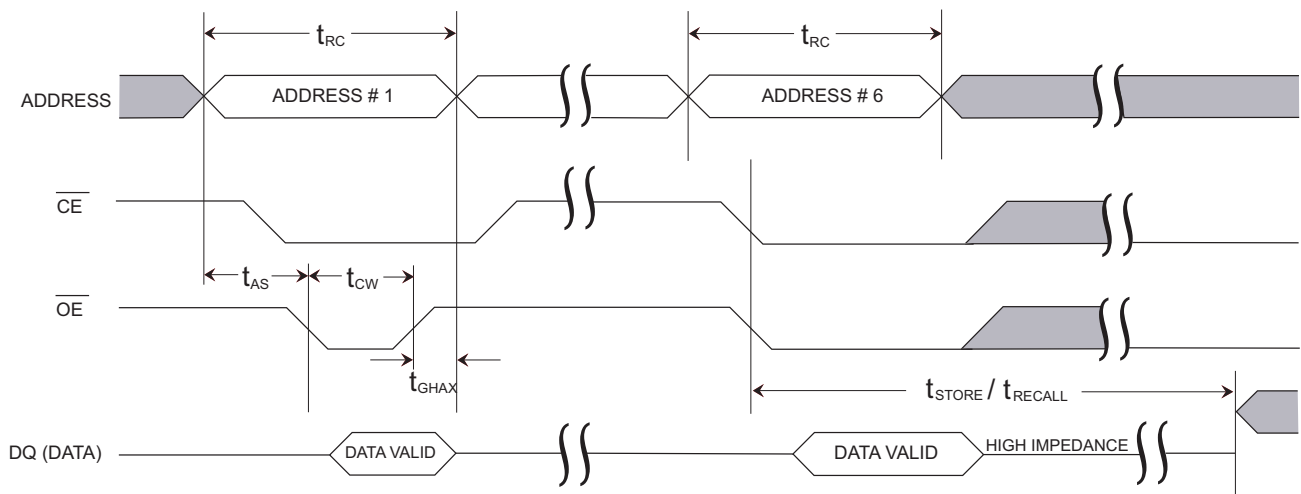


Figure 11. $\overline{\text{OE}}$ Controlled Software STORE/RECALL Cycle^[17]



Switching Waveforms (continued)

Figure 12. Hardware STORE Cycle^[20]

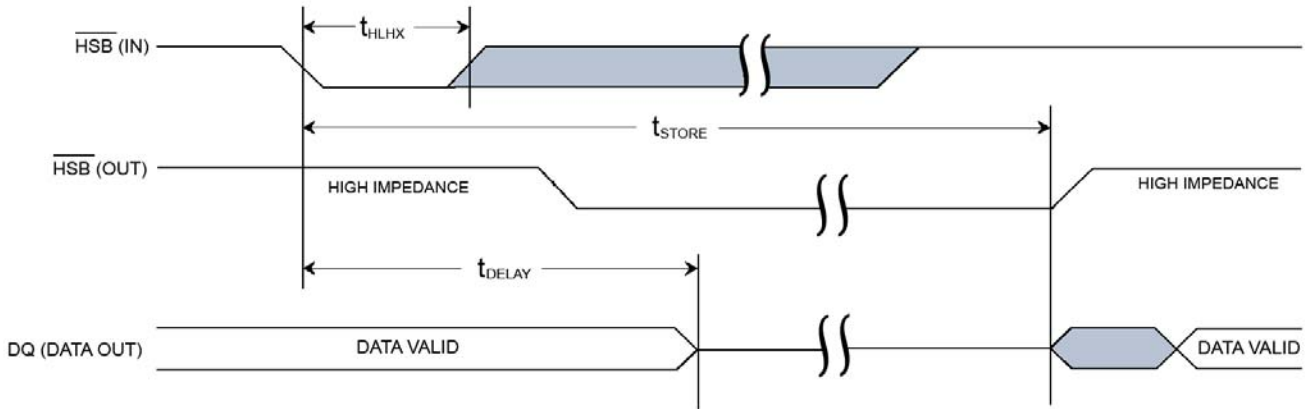
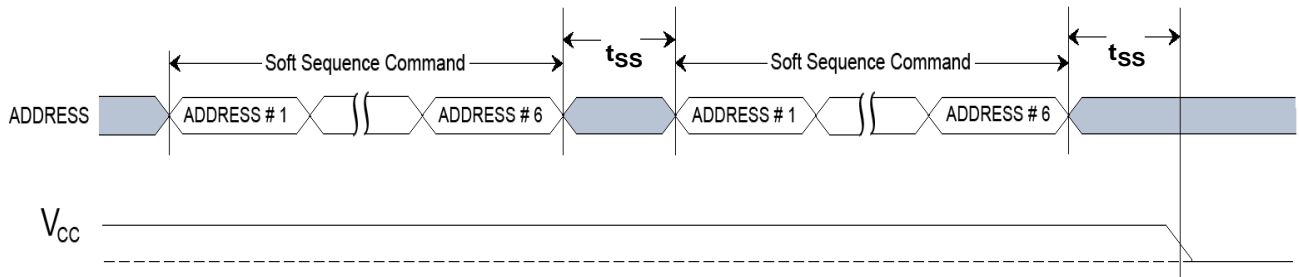


Figure 13. Soft Sequence Processing^[18, 19]



Ordering Information

Speed (ns)	Ordering Code	Package Diagram	Package Type	Operating Range
20	CY14E108L-ZS20XCT	51-85087	44-pin TSOP II	Commercial
	CY14E108L-ZS20XIT	51-85087	44-pin TSOP II	Industrial
	CY14E108L-ZS20XI	51-85087	44-pin TSOP II	
	CY14E108L-BA20XCT	51-85128	48-ball FBGA	Commercial
	CY14E108L-BA20XIT	51-85128	48-ball FBGA	Industrial
	CY14E108L-BA20XI	51-85128	48-ball FBGA	
	CY14E108L-ZSP20XCT	51-85160	54-pin TSOP II	Commercial
	CY14E108L-ZSP20XIT	51-85160	54-pin TSOP II	Industrial
	CY14E108L-ZSP20XI	51-85160	54-pin TSOP II	
	CY14E108N-BA20XCT	51-85128	48-ball FBGA	Commercial
	CY14E108N-BA20XIT	51-85128	48-ball FBGA	Industrial
	CY14E108N-BA20XI	51-85128	48-ball FBGA	
	CY14E108N-ZSP20XCT	51-85160	54-pin TSOP II	Commercial
	CY14E108N-ZSP20XIT	51-85160	54-pin TSOP II	Industrial
	CY14E108N-ZSP20XI	51-85160	54-pin TSOP II	
25	CY14E108L-ZS25XCT	51-85087	44-pin TSOP II	Commercial
	CY14E108L-ZS25XIT	51-85087	44-pin TSOP II	Industrial
	CY14E108L-ZS25XI	51-85087	44-pin TSOP II	
	CY14E108L-BA25XIT	51-85128	48-ball FBGA	Industrial
	CY14E108L-BA25XI	51-85128	48-ball FBGA	
	CY14E108N-BA25XCT	51-85128	48-ball FBGA	Commercial
	CY14E108L-ZSP25XCT	51-85160	54-pin TSOP II	Commercial
	CY14E108L-ZSP25XIT	51-85160	54-pin TSOP II	Industrial
	CY14E108L-ZSP25XI	51-85160	54-pin TSOP II	
	CY14E108N-BA25XCT	51-85128	48-ball FBGA	Commercial
	CY14E108N-BA25XIT	51-85128	48-ball FBGA	Industrial
	CY14E108N-BA25XI	51-85128	48-ball FBGA	
	CY14E108N-ZSP25XCT	51-85160	54-pin TSOP II	Commercial
	CY14E108N-ZSP25XIT	51-85160	54-pin TSOP II	Industrial
	CY14E108N-ZSP25XI	51-85160	54-pin TSOP II	

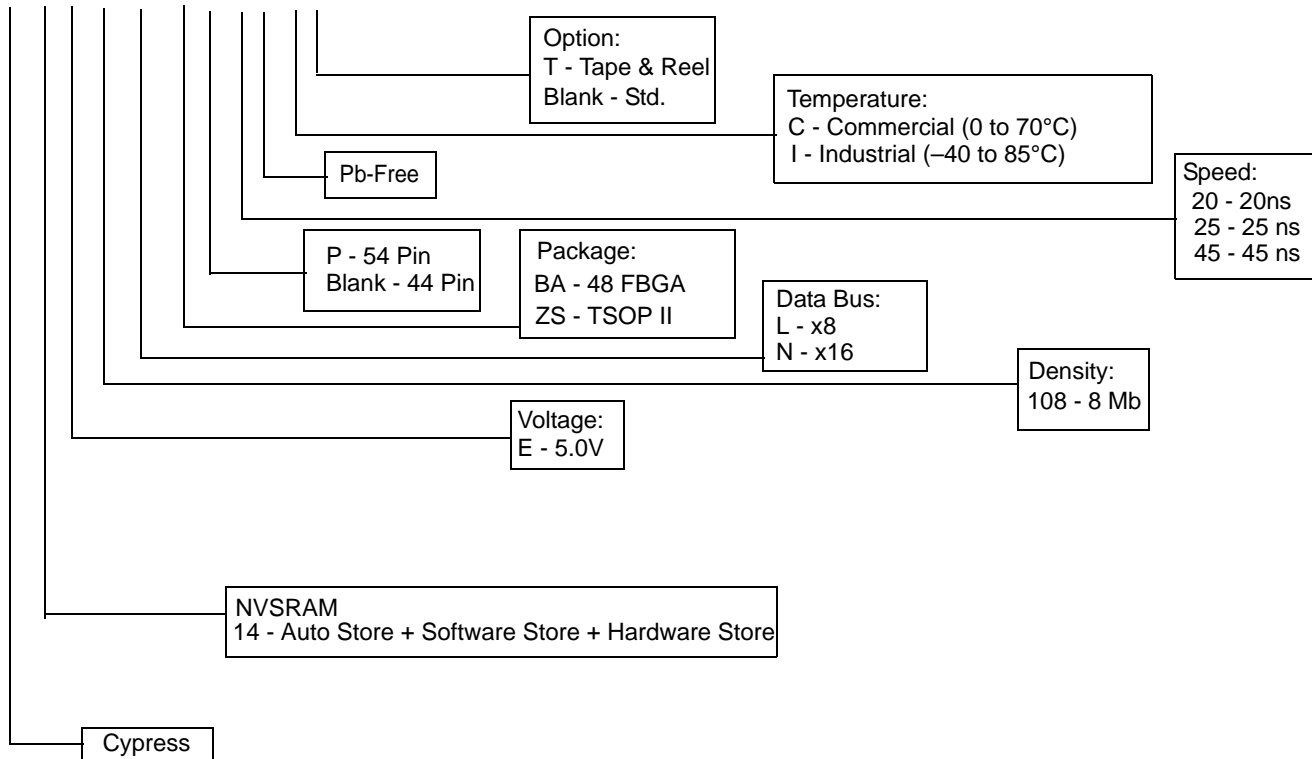
Ordering Information (continued)

Speed (ns)	Ordering Code	Package Diagram	Package Type	Operating Range
45	CY14E108L-ZS45XCT	51-85087	44-pin TSOP II	Commercial
	CY14E108L-ZS45XIT	51-85087	44-pin TSOP II	Industrial
	CY14E108L-ZS45XI	51-85087	44-pin TSOP II	
	CY14E108L-BA45XCT	51-85128	48-ball FBGA	Commercial
	CY14E108L-BA45XIT	51-85128	48-ball FBGA	Industrial
	CY14E108L-BA45XI	51-85128	48-ball FBGA	
	CY14E108L-ZSP45XCT	51-85160	54-pin TSOP II	Commercial
	CY14E108L-ZSP45XIT	51-85160	54-pin TSOP II	Industrial
	CY14E108L-ZSP45XI	51-85160	54-pin TSOP II	
	CY14E108N-BA45XCT	51-85128	48-ball FBGA	Commercial
	CY14E108N-BA45XIT	51-85128	48-ball FBGA	Industrial
	CY14E108N-BA45XI	51-85128	48-ball FBGA	
	CY14E108N-ZSP45XCT	51-85160	54-pin TSOP II	Commercial
	CY14E108N-ZSP45XIT	51-85160	54-pin TSOP II	Industrial
	CY14E108N-ZSP45XI	51-85160	54-pin TSOP II	

All parts are Pb-free. The above table contains Advance information. Please contact your local Cypress sales representative for availability of these parts.

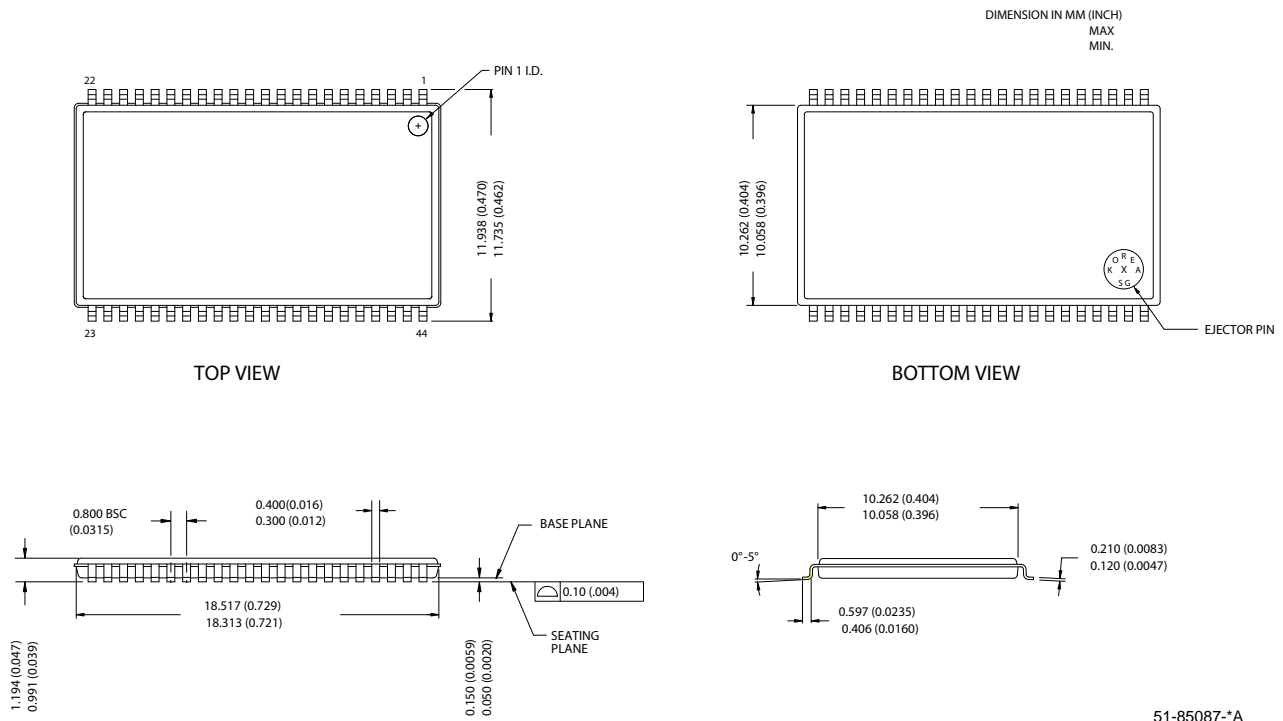
Part Numbering Nomenclature

CY 14 E 108 L - ZS P 20 X C T



Package Diagrams

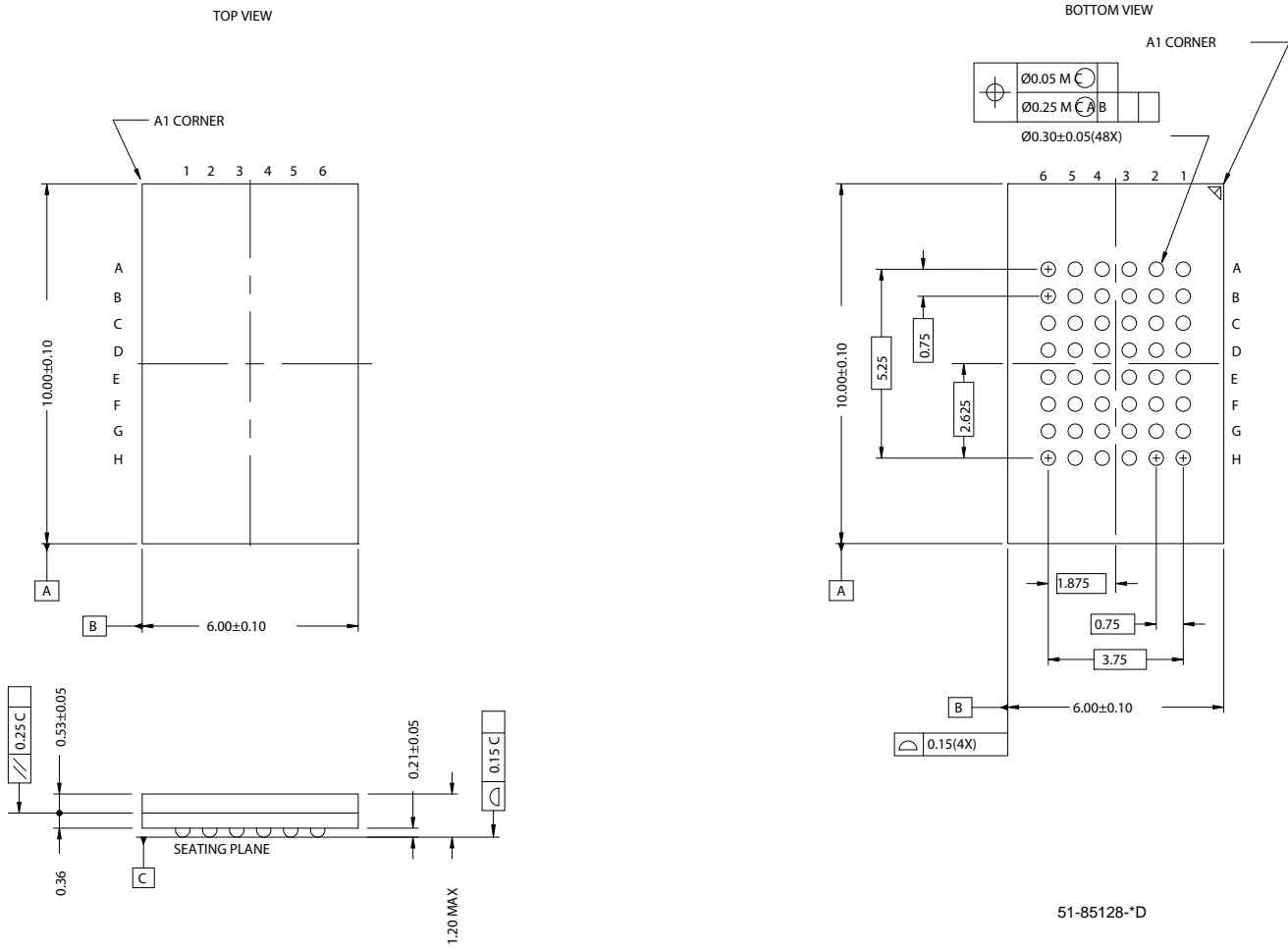
Figure 14. 44-Pin TSOP II (51-85087)



51-85087-*A

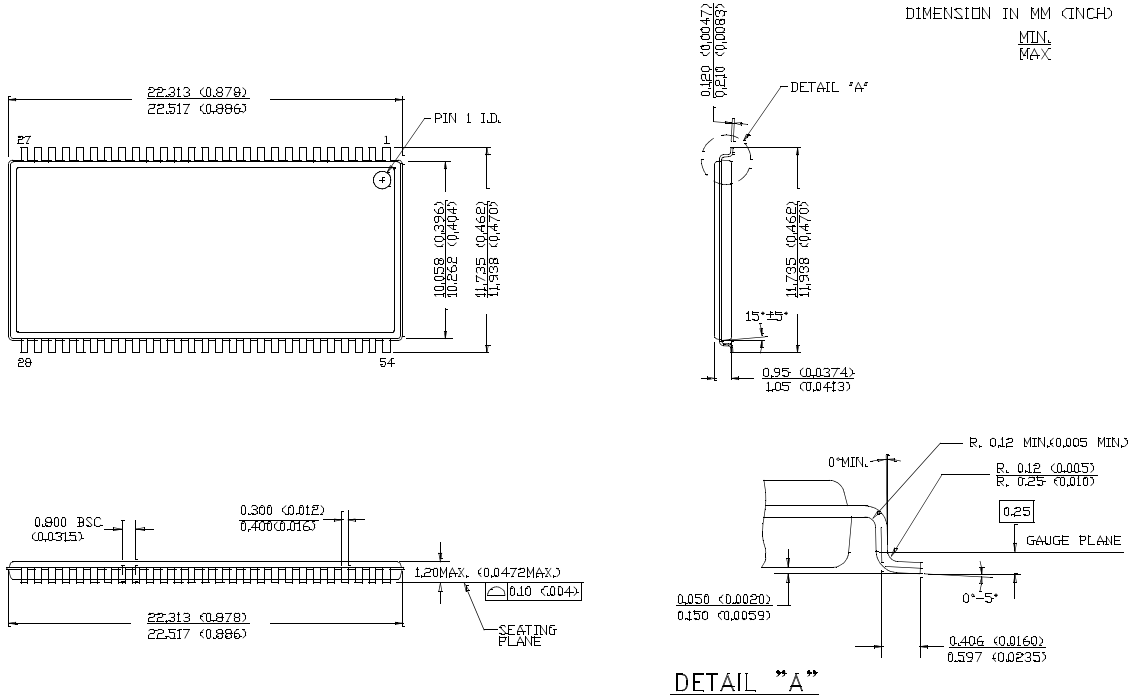
Package Diagrams (continued)

Figure 15. 48-ball FBGA - 6 mm x 10 mm x 1.2 mm (51-85128)



Package Diagrams (continued)

Figure 16. 54-Pin TSOP II (51-85160)



51-85160-**

Document History Page

Document Title: CY14E108L/CY14E108N 8 Mbit (1024K x 8/512K x 16) nvSRAM Document Number: 001- 45524				
REV.	ECN NO.	Submission Date	Orig. of Change	Description of Change
**	2428826	See ECN	GVCH	New Data Sheet
**	2520023	06/23/08	GVCH/PYRS	Updated I _{CC1} for t _{RC} =20ns, 25ns and 45ns access speed for both industrial and Commercial temperature Grade Updated Thermal resistance values for 48-FBGA,44-TSOP II and 54-TSOP II packages Changed t _{CW} value from 16ns to 15ns

Sales, Solutions, and Legal Information

Worldwide Sales and Design Support

Cypress maintains a worldwide network of offices, solution centers, manufacturer’s representatives, and distributors. To find the office closest to you, visit us at cypress.com/sales.

Products

- PSoC psoc.cypress.com
- Clocks & Buffers clocks.cypress.com
- Wireless wireless.cypress.com
- Memories memory.cypress.com
- Image Sensors image.cypress.com

PSoC Solutions

- General psoc.cypress.com/solutions
- Low Power/Low Voltage psoc.cypress.com/low-power
- Precision Analog psoc.cypress.com/precision-analog
- LCD Drive psoc.cypress.com/lcd-drive
- CAN 2.0b psoc.cypress.com/can
- USB psoc.cypress.com/usb

© Cypress Semiconductor Corporation, 2008. The information contained herein is subject to change without notice. Cypress Semiconductor Corporation assumes no responsibility for the use of any circuitry other than circuitry embodied in a Cypress product. Nor does it convey or imply any license under patent or other rights. Cypress products are not warranted nor intended to be used for medical, life support, life saving, critical control or safety applications, unless pursuant to an express written agreement with Cypress. Furthermore, Cypress does not authorize its products for use as critical components in life-support systems where a malfunction or failure may reasonably be expected to result in significant injury to the user. The inclusion of Cypress products in life-support systems application implies that the manufacturer assumes all risk of such use and in doing so indemnifies Cypress against all charges.

Any Source Code (software and/or firmware) is owned by Cypress Semiconductor Corporation (Cypress) and is protected by and subject to worldwide patent protection (United States and foreign), United States copyright laws and international treaty provisions. Cypress hereby grants to licensee a personal, non-exclusive, non-transferable license to copy, use, modify, create derivative works of, and compile the Cypress Source Code and derivative works for the sole purpose of creating custom software and or firmware in support of licensee product to be used only in conjunction with a Cypress integrated circuit as specified in the applicable agreement. Any reproduction, modification, translation, compilation, or representation of this Source Code except as specified above is prohibited without the express written permission of Cypress.

Disclaimer: CYPRESS MAKES NO WARRANTY OF ANY KIND, EXPRESS OR IMPLIED, WITH REGARD TO THIS MATERIAL, INCLUDING, BUT NOT LIMITED TO, THE IMPLIED WARRANTIES OF MERCHANTABILITY AND FITNESS FOR A PARTICULAR PURPOSE. Cypress reserves the right to make changes without further notice to the materials described herein. Cypress does not assume any liability arising out of the application or use of any product or circuit described herein. Cypress does not authorize its products for use as critical components in life-support systems where a malfunction or failure may reasonably be expected to result in significant injury to the user. The inclusion of Cypress’ product in a life-support systems application implies that the manufacturer assumes all risk of such use and in doing so indemnifies Cypress against all charges.

Use may be limited by and subject to the applicable Cypress software license agreement.

Free Manuals Download Website

<http://myh66.com>

<http://usermanuals.us>

<http://www.somanuals.com>

<http://www.4manuals.cc>

<http://www.manual-lib.com>

<http://www.404manual.com>

<http://www.luxmanual.com>

<http://aubethermostatmanual.com>

Golf course search by state

<http://golfingnear.com>

Email search by domain

<http://emailbydomain.com>

Auto manuals search

<http://auto.somanuals.com>

TV manuals search

<http://tv.somanuals.com>