

# Clarion

## PSWFRGR Camouflage Powered Subwoofer

Ford Ranger Pick-up  
Fits '93 - '97 Ford Ranger Reg. Cab Trucks

### PREPARATION

#### Parts list

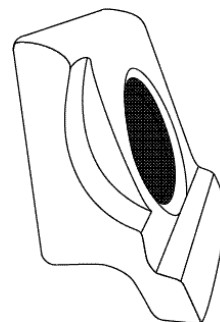
(Qty) Component

##### Preassembled

- (1) Roto-molded subwoofer enclosure
- (1) 8"; 2 ohm subwoofer
- (1) 100W class "D" amplifier
- (1) Speaker grille

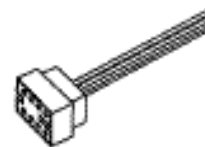
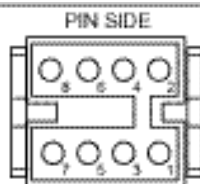
##### Loose Components

- (1) 17' wire harness w/ pigtail style connector
- (2) Attachment brackets
- (4) 3/4" pilot point wafer Phillips head screws
- (4) 1" self tapping wafer Phillips head screws
- (1) 1/2" ground screw
- (1) Star washer



#### WIRING:

1	Green	Left + Speaker Level Input
2	Violet/Bik	Right - Speaker Level Input
3	Green/Bik	Left - Speaker Level Input
4	Violet	Right + Speaker Level Input
5	Blank	Not Used
6	Black	Chassis Ground
7	Blue	Amplifier Turn-on Lead
8	Yellow	+12V Constant



Note: Installer **MUST** disconnect speaker-input leads to amplifier when using line-level input

### OVERVIEW

The Clarion Camouflage subwoofer system provides for the installation of a low frequency driver in an enclosure which is powered by a small low current, high power class "D" (Digital) amplifier. The advantage to using this type of amplifier is in the low current consumption of the amplifier at high power levels. The class "D" amplifier provided with this system will produce a rated 100W into a 2 ohm load. The woofer supplied with this system uses a voice coil with rated impedance of 2 ohms, and therefore is not considered a standard woofer. Replacing the woofer with any driver having an impedance greater than 2 ohms will yield lower power output from the amplifier, and is not recommended.

### PROCEDURE

Proper installation of this product requires proper tools and knowledge of car audio principles. If you are not comfortable performing any of the outlined tasks below, contact a professional installation facility to perform the work.

#### OUTLINE

- Remove the head unit.
- Connect the Clarion "T" harness between the radio and factory wiring and route the harness extension to transmission hump of the vehicle.
- Install subwoofer enclosure.
- Test subwoofer enclosure and head unit functions (fade, balance, dim, etc.).
- Adjust subwoofer gain.

**THIS DEVICE COMPLIES WITH PART 15 OF THE FCC RULES. OPERATION IS SUBJECT TO THE FOLLOWING TWO CONDITIONS.**

- (1) THIS DEVICE MAY NOT CAUSE HARMFUL INTERFERENCE, AND**
- (2) THIS DEVICE MUST ACCEPT ANY INTERFERENCE RECEIVED, INCLUDING INTERFERENCE THAT MAY CAUSE UNDESIRABLE OPERATION.**

## Ia. WIRING USING A CLARION "T" HARNESS

There are 2 methods to connect this product to the vehicle. Please refer to section Ia and Ib for each.

### • STEP 1:

Remove the Radio.

### • STEP 2:

Connect the "T" Harness.

- Unplug factory wires from radio.
- Plug the "T" harness in line with the radio wiring. SEE DIAGRAM 1.
- Connect the BLACK wire on "T" harness to radio chassis.

### • STEP 3:

Route the wire harness from the radio to transmission hump of the vehicle.

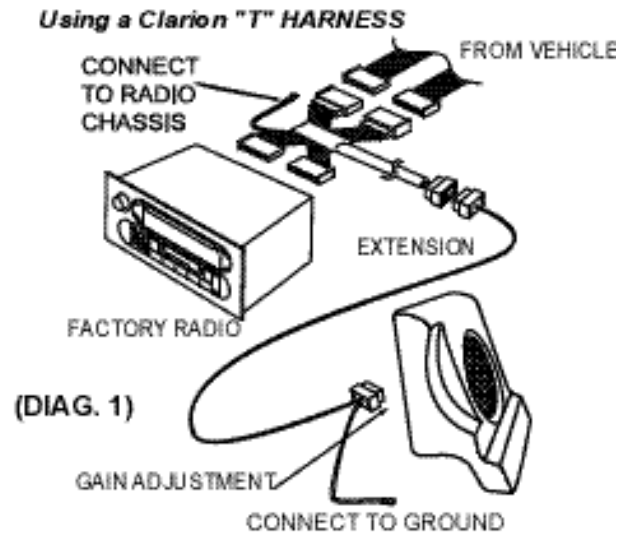
### •STEP 4:

Connect the amplifier ground wire to a clean chassis ground near the subwoofer enclosure.

### STEP 5:

TEST and SET the GAIN.

- Turn on the system and be sure all speakers are working properly.
- Set the subwoofer amplifier gain to a suitable level.



## Ib. WIRING USING THE SUPPLIED HARNESS

### • STEP 1:

Remove the Radio.

### • STEP 2:

Connect the wires.

- |               |   |
|---------------|---|
| Yellow:       | Connect to Constant 12V Power                   |
| Black:        | Connect to Radio Ground or Chassis              |
| Blue:         | Connect to Amp/Antenna Turn-on Lead             |
| Green:        | Connect to Left Rear Speaker (+) Positive Lead  |
| Green/Black:  | Connect to Left Rear Speaker (-) Negative Lead  |
| Violet:       | Connect to Right Rear Speaker (+) Positive Lead |
| Violet/Black: | Connect to Right Rear Speaker (-) Negative Lead |

### • STEP 3:

Route the wire harness from the radio to transmission hump of the vehicle.

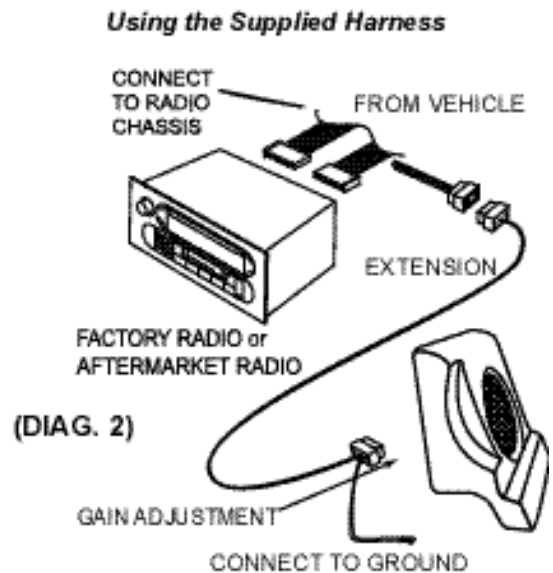
### •STEP 4:

Connect the amplifier ground wire to a clean chassis ground near the subwoofer enclosure.

### STEP 5:

TEST and SET the GAIN.

- Turn on the system and be sure all speakers are working properly.
- Set the subwoofer amplifier gain to a suitable level.

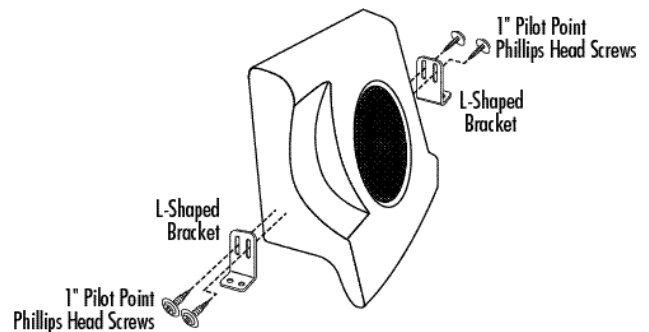


## II. RUN WIRE HARNESS

- A. Route wire harness behind the drivers seat.
- B. Plug in Clarion™ harness or hard wire pigtail harness in the dash.

## III. INSTALL THE BRACKETS TO THE ENCLOSURE

- A. Position enclosure upright.
- B. Locate the two horizontal dimples on each side of the enclosure.
- C. Screw in the attachment brackets through the dimples using the (4) supplied pilot point wafer head screws.

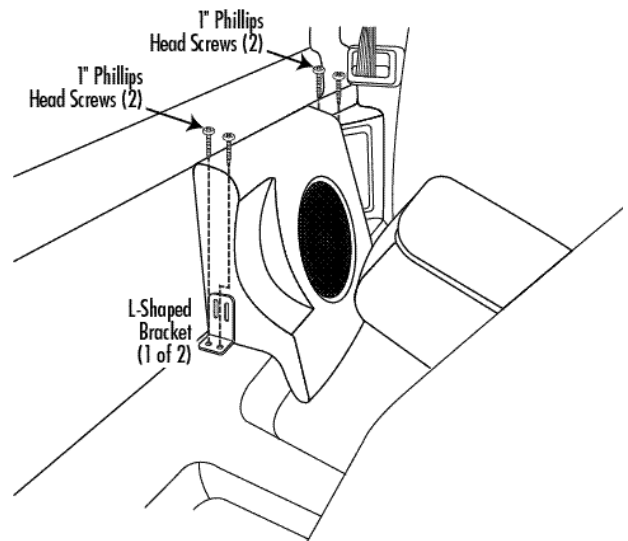


## IV. TEST THE ENCLOSURE

- A. Plug in the Clarion "T" harness or hardwire the pigtail harness behind the radio.
- B. Place the enclosure into the vehicle (correct position is on the transmission hump).
- C. Plug in the wire harness to the enclosure.
- D. Adjust subwoofer gain (gain pod is located on the amplifier next to the wire harness connector, and is adjustable with a Phillips screw driver).

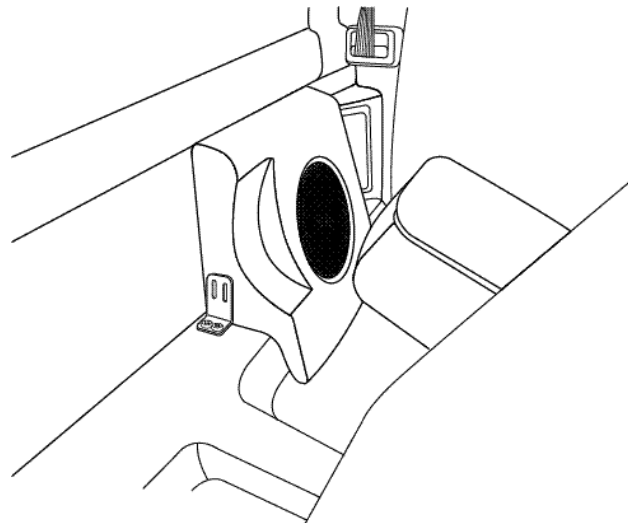
## V. ATTACH THE ENCLOSURE TO VEHICLE

- A. Press enclosure firmly against the rear wall.
- B. Screw in brackets to the vehicle floor using the (4) supplied 1" self tapping screws.



## VI. REASSEMBLE THE VEHICLE

- A. Make sure all the wires are hidden. Then do the process in reverse order.



Clarion Corporation of America  
661 West Redondo Beach Blvd Gardena, CA 90247  
800-Go-Clarion  
www.clarion-usa.com © 2000 Clarion Corporation, Gardena, CA

## Free Manuals Download Website

<http://myh66.com>

<http://usermanuals.us>

<http://www.somanuals.com>

<http://www.4manuals.cc>

<http://www.manual-lib.com>

<http://www.404manual.com>

<http://www.luxmanual.com>

<http://aubethermostatmanual.com>

Golf course search by state

<http://golfingnear.com>

Email search by domain

<http://emailbydomain.com>

Auto manuals search

<http://auto.somanuals.com>

TV manuals search

<http://tv.somanuals.com>