

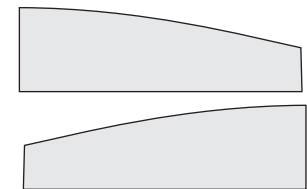
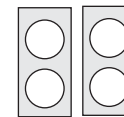
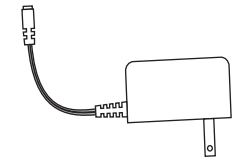
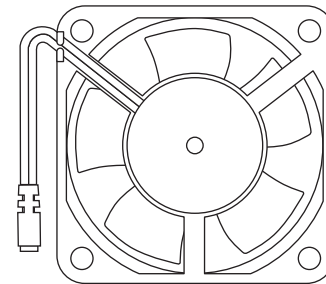
CHANNEL VISION Limited Warranty

Channel Vision Technology will repair or replace any defect in material or workmanship which occurs during normal use of this product with new or rebuilt parts, free of charge in the USA, for two years from the date of original purchase. This is a no hassle warranty with no mail in warranty card needed. This warranty does not cover damages in shipment, failures caused by other products not supplied by Channel Vision Technology, or failures due to accident, misuse, abuse, or alteration of the equipment. This warranty is extended only to the original purchaser, and a purchase receipt, invoice, or other proof of original purchase date will be required before warranty repairs are provided.

Mail in service can be obtained during the warranty period by calling (800) 840-0288 toll free. A Return Authorization number must be obtained in advance and can be marked on the outside of the shipping carton.

This warranty gives you specific legal rights and you may have other rights (which vary from state to state). If a problem with this product develops during or after the warranty period, please contact Channel Vision Technology, your dealer or any factory-authorized service center.

500-100 RevB



C-1322 **Fan Kit for models:** **C-0128D, C-0138D, & C-0150D**

 CHANNEL VISION™
CENTRAL

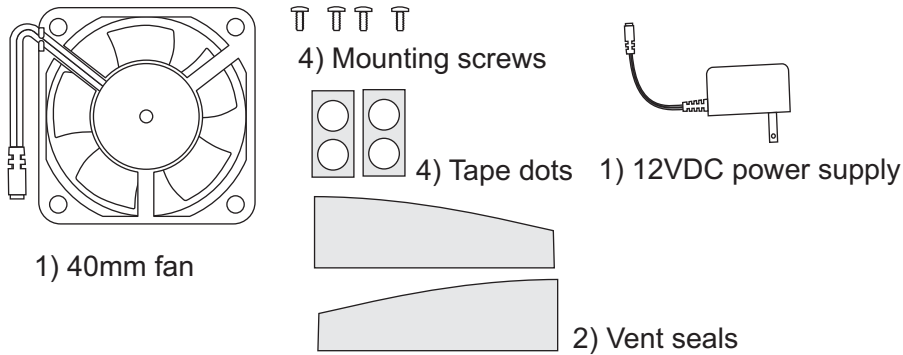
©2005 CHANNEL VISION TECHNOLOGY

The **C-1322** fan kit is compatible with Channel Vision's new designer doors: C-0128D, C-0138D, and C-0150D.

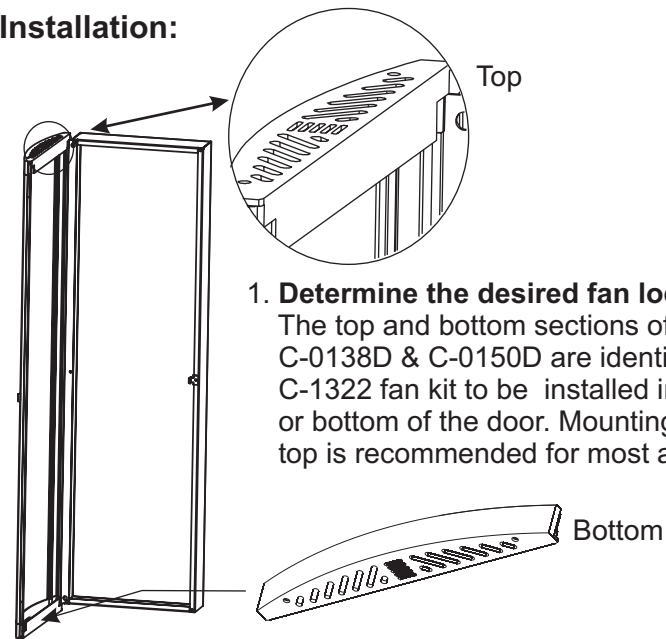
Features:

- Provides increased airflow through the enclosure
- Extends the life expectancy of heat sensitive electronics
- Quick and easy installation

What is included:



Installation:

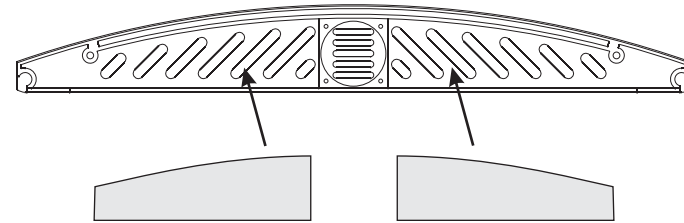


- 1. Determine the desired fan location:**
The top and bottom sections of the C-0128D, C-0138D & C-0150D are identical, allowing the C-1322 fan kit to be installed in either the top or bottom of the door. Mounting the fan at the top is recommended for most applications.

C-0150D shown for reference only

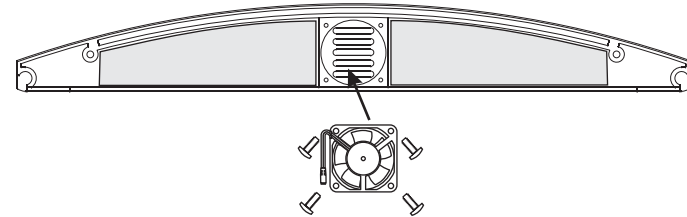
2. Install vent seals:

Sealing the vents adjacent to the fan will force air into the fan, making it more effective.



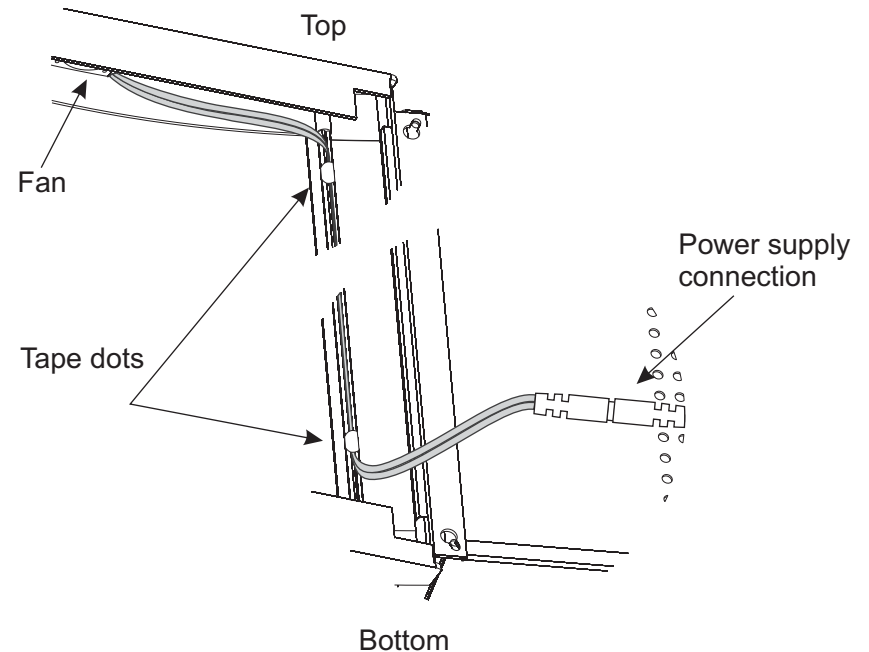
3. Mount the fan:

Attach the fan with the screws provided.



4. Route the fan wire:

All compatible doors have a groove for routing the fan wire. Place the wire in the groove and secure it with the tape dots.



Free Manuals Download Website

<http://myh66.com>

<http://usermanuals.us>

<http://www.somanuals.com>

<http://www.4manuals.cc>

<http://www.manual-lib.com>

<http://www.404manual.com>

<http://www.luxmanual.com>

<http://aubethermostatmanual.com>

Golf course search by state

<http://golfingnear.com>

Email search by domain

<http://emailbydomain.com>

Auto manuals search

<http://auto.somanuals.com>

TV manuals search

<http://tv.somanuals.com>