

CONTENTS

INTRODUCTION	1
MOUNTING RECOMMENDATIONS	2
FAN INSTALLATION	3
CONTROL FEATURES:	
INTELI•TOUCH OPERATION	12
WALL CONTROL PREPARATION	11
OPERATION	15
CHANGING TRANSMITTER FREQUENCY SETTING	16
BEZEL REPLACEMENT	19

READ AND SAVE THESE INSTRUCTIONS SAFETY FIRST

Safety and the proper operation of your Casablanca fan both require a thorough knowledge of the product and proper installation; therefore, before attempting to install and operate your Casablanca fan, read this owner's manual completely and carefully. Retain this manual for future reference.

CAUTION: To avoid possible electrical shock, make certain that electricity is turned off at the circuit breaker or fuse box before attempting any installation procedure.

BEFORE YOU START

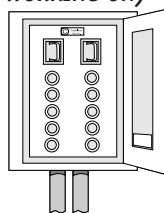
- All wiring must be in accordance with the National Electric Code ANSI/NFPA 70-1993 and the appropriate local electrical codes. The National Electric Code requires proper grounding as a precaution against electrical shock. A qualified electrician should be consulted if you are unsure.
- This fan is designed to be installed on an existing electrical outlet box. The outlet box must be UL Listed for ceiling fan installations, if it is not, a new box must be installed. Casablanca extension poles are available for sloped or high ceiling installations.
- This ceiling fan requires a grounded electrical supply of 120 VAC, 60 Hz and a minimum 15 amp circuit. The maximum current requirement for the fan with light fixture is 3.8 amps. The fan uses about 1 amp or 100 watts. Maximum light current is 2.8 amps or 340 watts of lighting.
- Where wire nuts are employed, be sure all bare wires are within the connectors. When installing the canopy hatch, make sure all wires are within the canopy and that no wires are being pinched.

**For best performance and for your warranty to be valid,
use only genuine Casablanca blades, light fixtures, and accessories.**

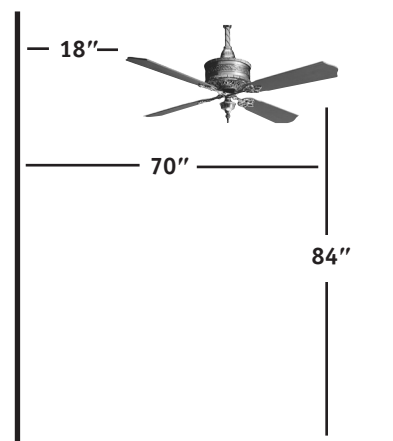
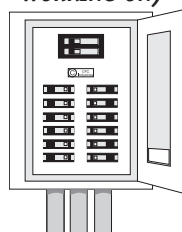
SAFE USE

- The blades in each pack are matched for equal weight to assure smooth fan operation. If more than one fan is being installed, be careful not to mix blades from different cartons.
- Inspect the contents of your carton for possible shipping or handling damage and report any such damage directly to your authorized Casablanca dealer.
- It is always a good idea to have an assistant to help with the installation.
- When cleaning, painting, or working near your fan, be very careful of the fan and blades. Always turn the power OFF to the ceiling fan before servicing it, working on it, or replacing light bulbs.
- Never insert anything into the path of the fan blades while the fan is in operation.
- Never install a fan over a pool or spa.
- Never operate a fan that has been damaged in any way. Contact Casablanca Fan Company by calling 1-888-227-2178, or contact your local authorized Casablanca dealer for assistance in obtaining service.

**FUSE BOX
(REMOVE FUSE FOR THE
CIRCUIT YOU WILL BE
WORKING ON)**



**CIRCUIT BREAKER
(TRIP BREAKER FOR THE
CIRCUIT YOU WILL BE
WORKING ON)**



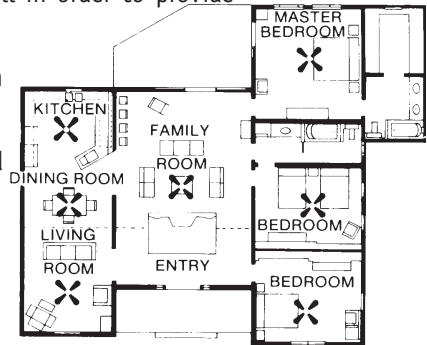
MOUNTING RECOMMENDATIONS

Before mounting your Casablanca fan, read the following helpful recommendations. The location of the fan, air circulation, and fan size are all important factors to consider before installation.

Location

Ceiling fans have practical uses in almost every room in your home. We suggest you follow these mounting recommendations as you decide where to install your Casablanca fan.

- For safety reasons, the fan blades must be a minimum of 7' above the floor.
- Do not locate the fan in a doorway or above a swinging door.
- In any installation, the tips of the blades must be at least 18" from the wall in order to provide sufficient clearance for the blades.
- In bedrooms, fans work best when mounted above the foot of the bed.
- Over pool tables, be sure to provide plenty of clearance to avoid damage from pool cues.
- In kitchens be sure to allow for open cupboard doors to clear the fan blades.
- Do not install a fan close to, or over, a pool or spa. High humidity combined with corrosive gases will destroy the finish and warp the blades.



Fan Size

Variable fan speed capability permits the use of a full-size 52" fan even in smaller rooms. For very large rooms, two fans may be needed.

SLOPED CEILING INSTALLATIONS

Suggested Extension Pole Lengths	
Ceiling Height	Pole Length
10'	Standard
11'	18"
12'	24"
13'	36"
14'	48"

When to Use Extension Poles

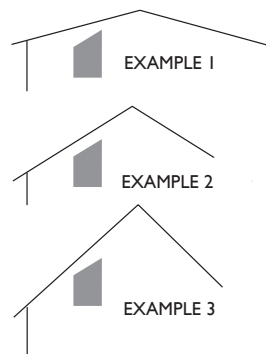
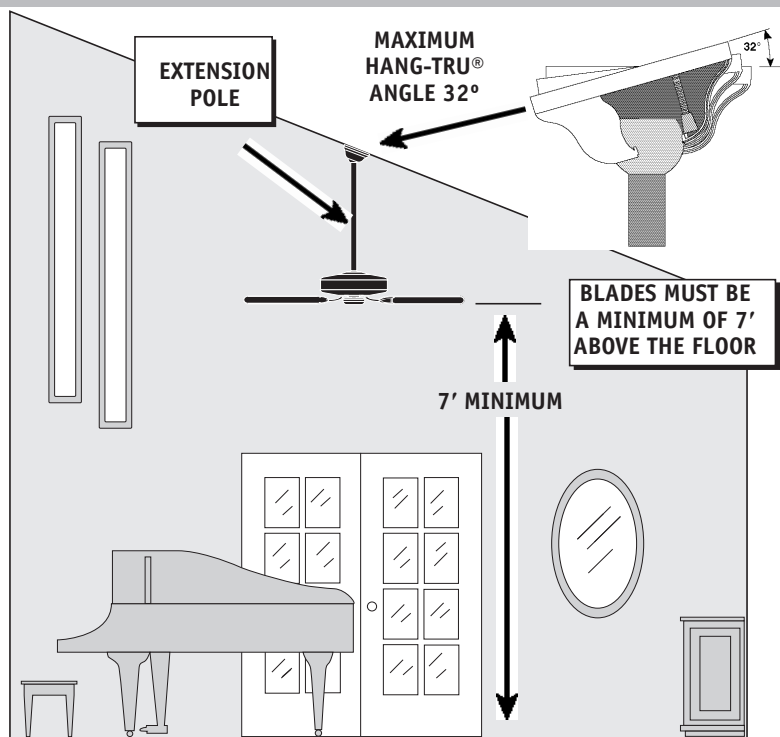
For best performance and best appearance, an extension pole should be used with your Casablanca fan when installing on high (cathedral) ceilings or sloped ceilings. Casablanca offers standard poles in increments of 6" up to 5'. Custom poles are available in lengths up to 10'. See your Authorized Casablanca Dealer for details.

Note: Fan may wobble or vibrate if pole length is not long enough and inside blade is too close to downslope or side wall. Extending pole length will usually solve problem.

Calculation of 32°

Use the tear-off *Ceiling Angle Template* card inserted in the back of this manual, it provides you with a simple 'go' or 'no-go' for installing your fan on a sloped ceiling.

Note: The canopy cover (Step 11) can NOT be used on a sloped ceiling.



EXAMPLE 1

This slope is less than 32°. It is OK to install your fan.

EXAMPLE 2

This slope is 32°. This is the maximum slope that will allow the fan to hang straight down. It is OK to install your fan.

EXAMPLE 3

This slope is more than 32°. Your fan will not hang straight down, an adaptor is necessary. Contact your local Authorized Casablanca Dealer in regards to purchasing a "Slope Ceiling Adaptor."

PREPARATION INSTRUCTIONS

Unpacking: Before assembling and installing your ceiling fan, remove all parts from the shipping cartons and check them against the parts listed here. Before discarding packaging material, be certain that all parts have been removed.

GETTING STARTED

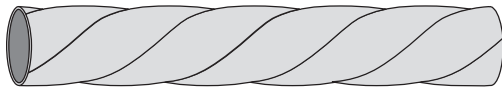
Carton Contents

The fan carton contains the fan body, warranty card, owner's manual, and all the parts necessary to assemble and install your Casablanca ceiling fan. These parts are shown at the start of each installation section. Before you start, go through this Owner's Manual and confirm that you have all the parts shown in each section.

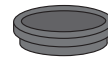
Be sure to use only genuine Casablanca blades. The blade shrink wrap holds 4 blades of matched weight. If more than one fan is being installed, be sure not to mix blade sets.

CAUTION: When removing the shrink wrap, be careful not to scratch the blades.

PERMA•LOCKTM HARDWARE



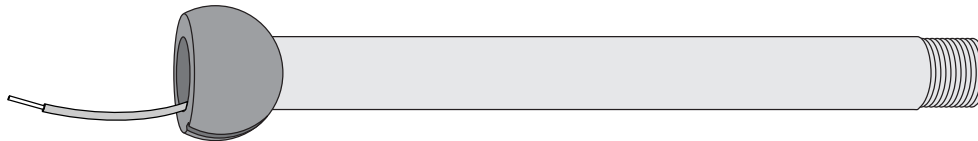
DOWNROD COVER



RUBBER DOWNROD GASKET



METAL DOWNROD GASKET

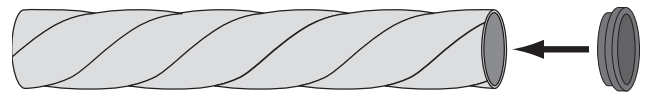


DOWNROD & BALL ASSEMBLY

INSTALL RUBBER GASKET

Prepare the downrod as follows:

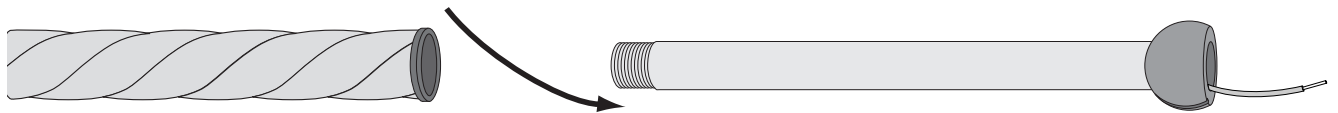
Step A. Insert the small lip of the rubber gasket into the downrod cover.



ATTACH COVER TO DOWNROD

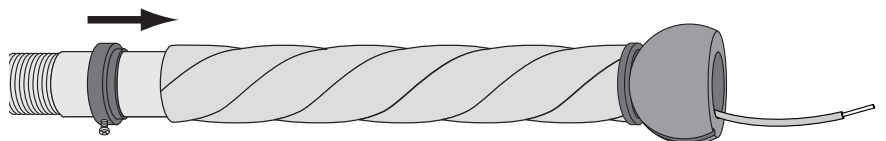
Step B. Slide the downrod cover, rubber gasket first, onto the downrod by using a twisting motion. Continue until the rubber gasket is flush with the downrod ball.

CAUTION: Do not attach the cover onto the downrod by pounding the downrod into the floor. This will damage the hanging mechanism and may cause the fan to fall.



INSTALL METAL GASKET

Step C. Attach the metal gasket onto the downrod assembly as shown. Using the provided screw, secure the metal gasket. Tighten the screw by hand only.



FAN PREPARATION

IMPORTANT SAFETY INFORMATION!
BEFORE STARTING THE INSTALLATION OF YOUR CEILING FAN,
INSTALL THE THREADED DOWNROD INTO THE MOTOR COUPLING AND
LOCK THE ASSEMBLY

Prepare for fan installation as follows:

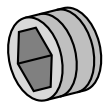
Step D. Route the wires from the motor through the Perma•Lock™ downrod and ball assembly, keeping the wires to one side of the cross pin.

NOTE: The downrod has a tapered thread that is designed to lock completely when correctly installed.

Step E. Using the provided allen wrench, loosen the allen set screw. Thread the downrod into the motor coupling until it stops turning, this will take at least four and a half full turns.

Step F. Securely tighten the allen set screw with the provided allen wrench to ensure safe operation of your fan.

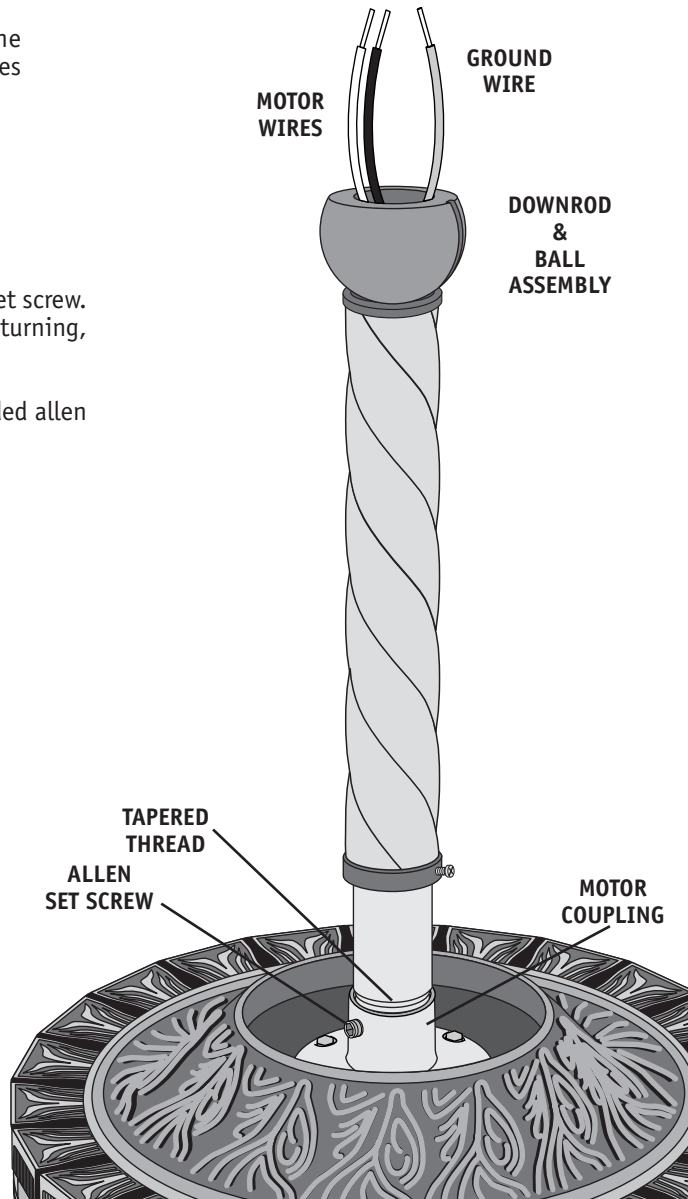
CAUTION: Failure to fully lock in the downrod before securely tightening the locking bolt may cause the fan to fall during normal operation!



ALLEN SET SCREW
1/4-20 x 1/4"
(PRE-INSTALLED)



3mm
ALLEN WRENCH



GETTING STARTED

Installing a New Ceiling Fixture Outlet Box

If you do not have an existing fixture located where you wish to place your Casablanca fan, an approved ceiling fixture outlet box must be installed and wired.

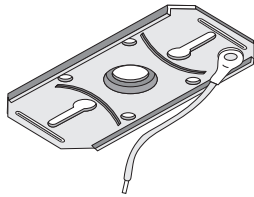
Warning: To reduce the risk of fire, electrical shock, or personal injury, mount to outlet box marked acceptable for ceiling fan support using the mounting hardware provided with the outlet box.

Using Existing Ceiling Fixture Outlet Box

After turning the power OFF at its source (either circuit breaker or fuse box), lower the old fixture and disconnect the wiring. Check the ceiling fixture outlet box to be sure that it is marked 'Approved for ceiling fan mounting'. If it is not, a new box must be installed.

NOTE: The fan weight is 35 pounds.

CEILING HARDWARE

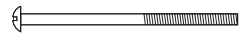


CROSSBAR MOUNTING BRACKET



WIRE NUT (4)

ADDITIONAL HARDWARE



2 1/4" x 8-32 ROUNDED HEAD SCREW (2)

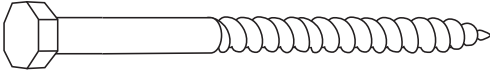


1" x 8-32 ROUNDED HEAD SCREW (2)



FLAT WASHER (2)

SUPPORT INSTALLATION PARTS



LAG SCREW
3/8" #7 X 5" (1)



LARGE FLAT WASHER
3/8" (1)

CROSSBAR MOUNTING BRACKET INSTALLATION

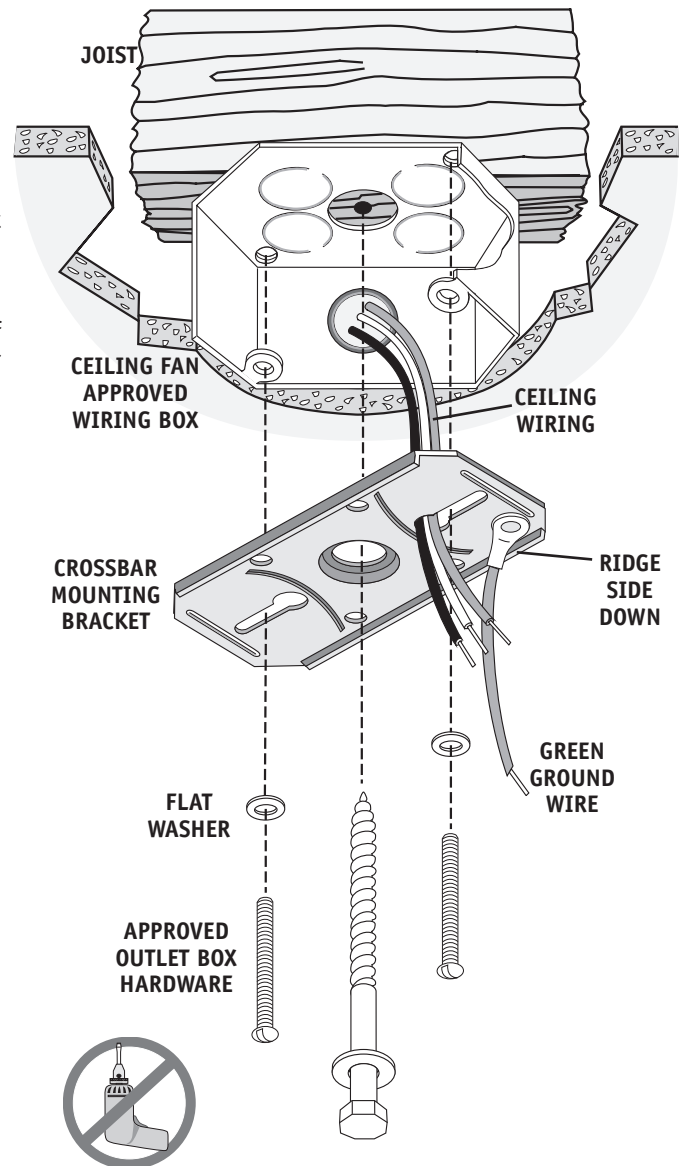
Note: After removing the old fixture, check the outlet box to insure that it is supported by a joist or beam across its upper surface. If not, a 2" x 4" stud must be installed.

Step 1. Remove the knockout plug in the center of the outlet box or drill a 1/2" hole for the lag screw to pass through. Then drill a 1/4" guide hole into the joist or beam to a depth of 3".

Step 2. Route the outlet box wires through the keyhole slot of the crossbar mounting bracket as shown. Attach the crossbar mounting bracket to outlet box with screws provided, assuring that the outlet box wires are not pinched by the washer.

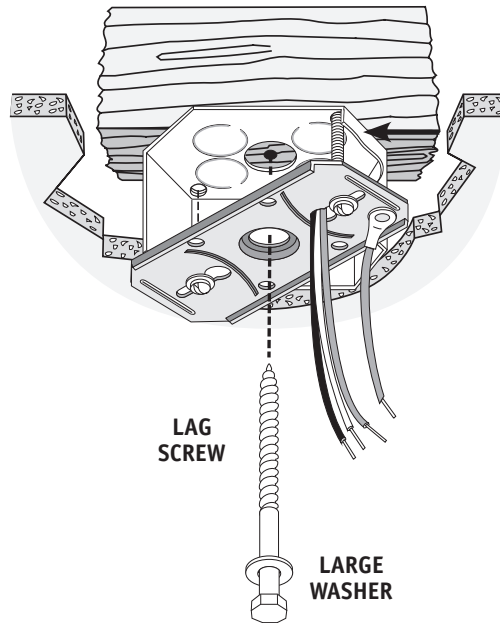
CAUTION: To reduce the risk of personal injury, use only the mounting hardware provided with the approved outlet box to install the crossbar mounting bracket.

WARNING!
SUPPORT DIRECTLY TO BUILDING STRUCTURE ONLY.

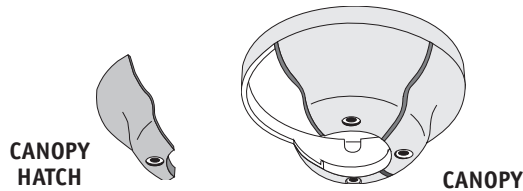


LAG SCREWW INSATALLATION

Step 3. With the large washer attached, pass the lag screw through the center hole of the crosbar mounting bracket and screw into guide hole. Tighten until outlet box is firmly mounted to beam. This box must be firmly secured to the ceiling. We recommend that the ceiling fixture outlet box be of sufficient capacity enabling it to support the weight of fan and light fixture under any conditions.



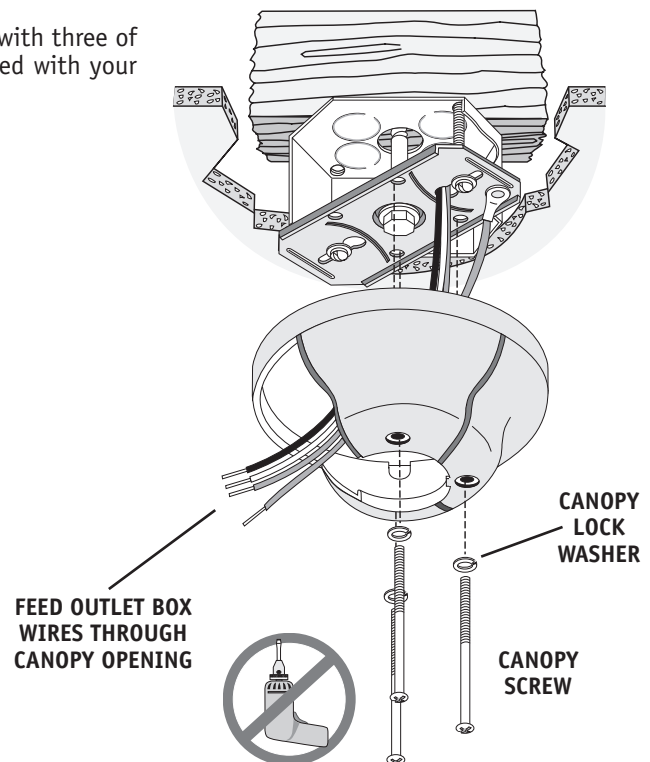
CANOPY HARDWARE



CANOPY INSTALLATION

Step 4. Attach the canopy to the crossbar mounting bracket with three of the 8-32 x 2 1/2" long canopy screws and lock washers provided with your Casablanca fan. Hand tighten until snug against the ceiling.

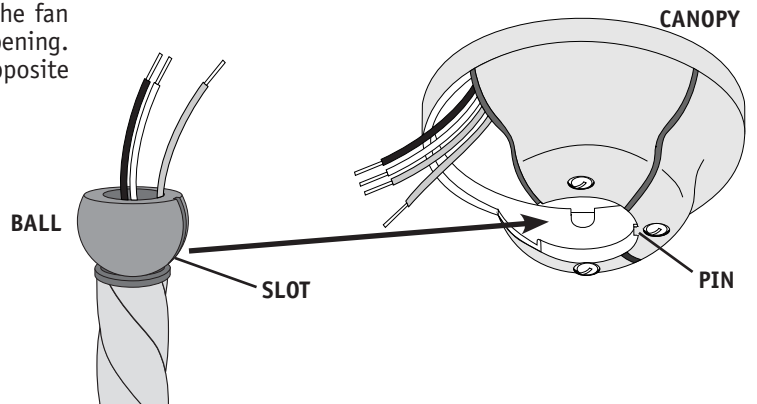
Note: On sloped ceilings, align the canopy opening toward the top or peak of the room.



HANGING THE FAN

Step 5. To hang the fan body in the canopy, hold the fan body firmly and insert the nylon ball into the canopy opening. Rotate fan body until slot on nylon ball fits into pin opposite canopy opening.

NOTE: The fan weight is 35 pounds.

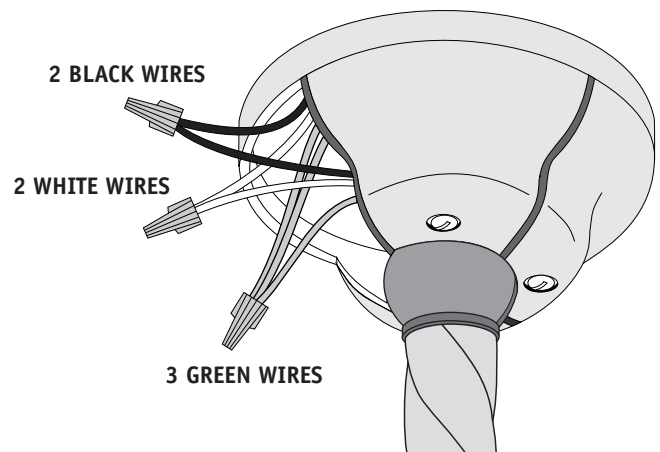


CANOPY ELECTRICAL CONNECTIONS

Step 6. Connect the fan wires to the outlet box wiring by placing the bare ends of the wires together and then securing with a wire nut. Connect in this order:

- GREEN leads from mounting plate and fan to GROUND conductor of power source. Secure with wire nut.
- WHITE wire from fan to white NEUTRAL wire in ceiling fixture outlet box. Secure with wire nut.
- BLACK wire from fan to black POWER wire in ceiling fixture outlet box. Secure with wire nut.

Inspect each wire nut and ensure that no bare wire is visible; pull on each wire to test the connection is mechanically sound.



CANOPY HATCH INSTALLATION

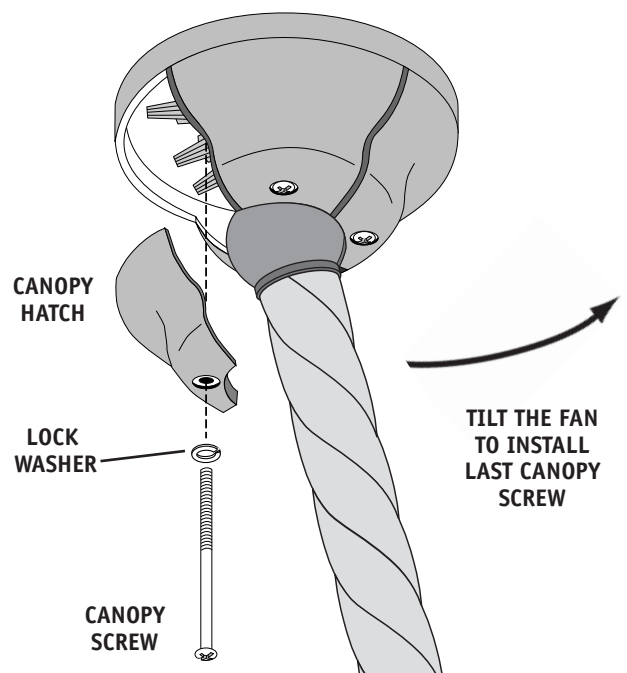
Step 7. Tuck the wires into the canopy with the wire nuts pointed upwards, so that the WHITE and BLACK wires are on opposite sides of the canopy and all wires are clear of the canopy opening.

Step 8. Install canopy hatch with the last canopy screw and lock washer. To do this, tilt the fan body away from the hatch opening. Tighten the screws firmly by hand only,

Step 9. Straighten the fan, then check to ensure that there is no movement between the canopy and ceiling or Hang-Tru ball and top support shaft.

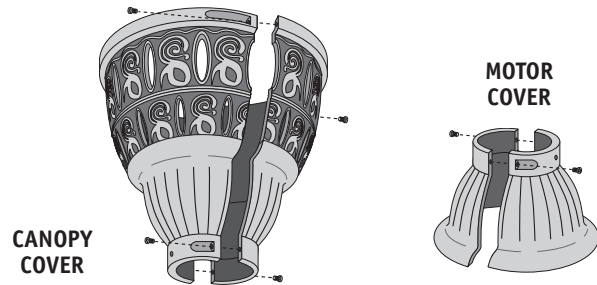


Note: Write down the Serial Number and the model number for future reference.



DISASSEMBLE CANOPY AND MOTOR COVERS

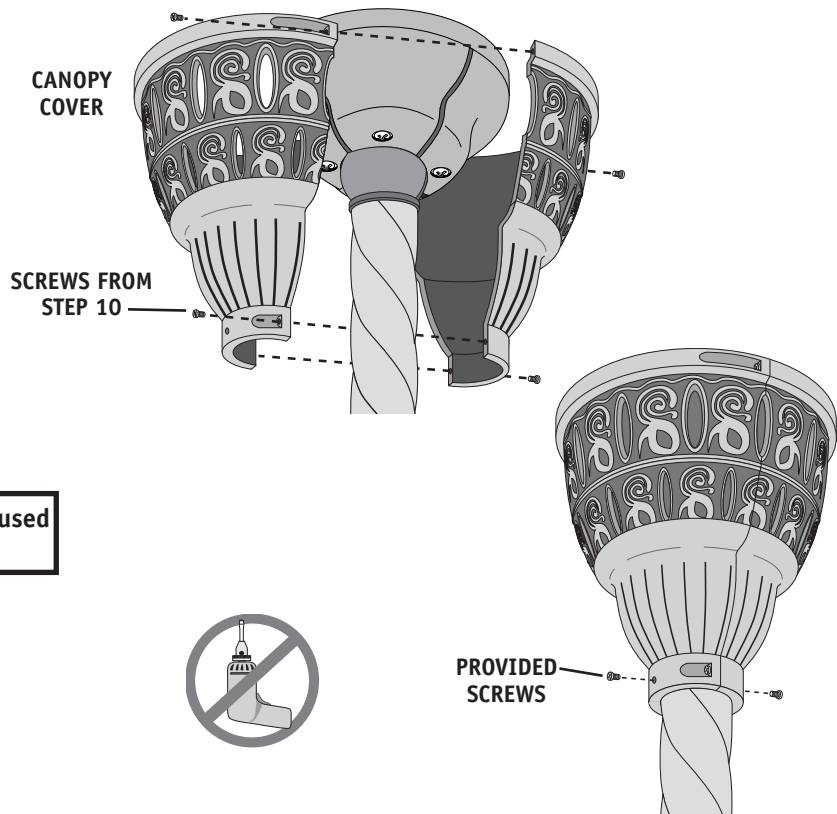
Step 10. Remove the screws from the canopy cover and the motor cover and set aside for later use.



INSTALL CANOPY COVER

Step 11. Take the two pieces of the canopy cover and assemble them around the downrod as shown. Using the four screws removed in Step 10, assemble the canopy cover.

Slide the canopy cover to the ceiling and secure to the downrod using the two provided screws. Tighten by hand only.



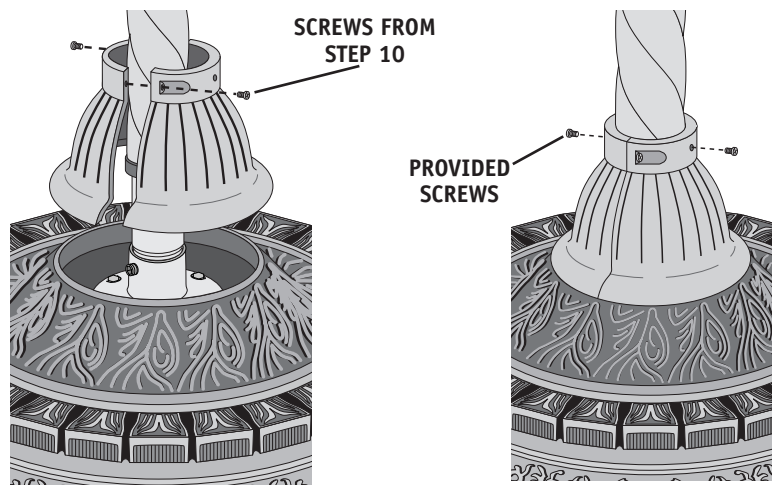
CAUTION: The canopy cover can NOT be used on sloped ceilings.

INSTALL MOTOR COVER

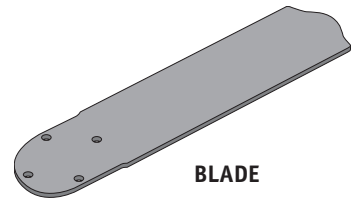
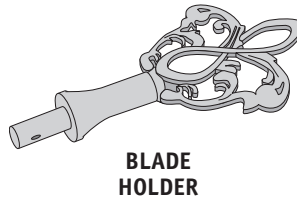
Step 12. Take the two pieces of the motor cover and assemble them around the downrod as shown. Using the two screws removed in Step 10, assemble the motor cover.

Slide the motor cover down onto the top of the fan and secure to the downrod using the two provided screws.

Using the screwdriver, tighten securely by *hand* only.



BLADE HARDWARE

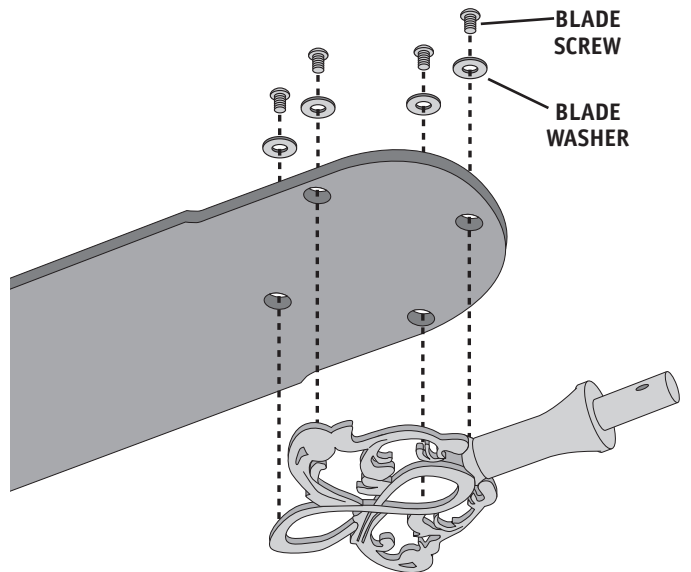


ATTACH BLADE HOLDERS

Step 13. Attach the blades to the blade holders by aligning the screw holes of the holder with the holes of the blade.

Attach the blade holder using the four blade screws and blade washers provided for each blade.

Using the screwdriver, tighten securely by *hand* only.

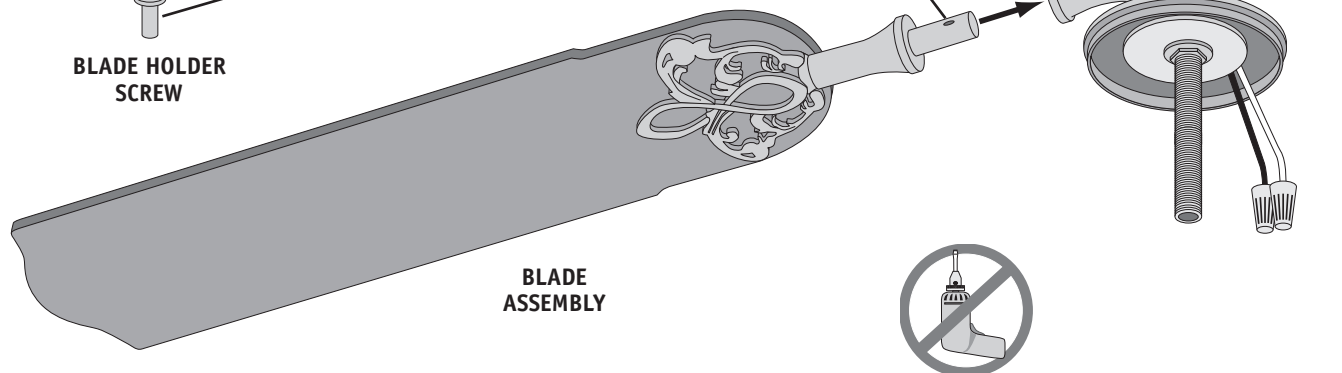
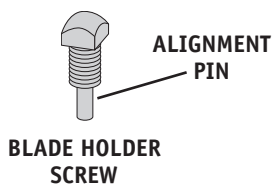


INSTALL BLADE ASSEMBLY

Step 14. Remove the blade holder screw from the fan. Slide the blade assembly into the cross bar, assuring that the alignment holes line up.

Reinstall the blade holder screw, making sure that the blade assembly is secure and does not rotate when turned.

Using a wrench or pliers, tighten securely by *hand* only.



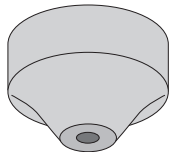
SWITCH HOUSING CUP INSTALLATION

Note: If you have purchased the exclusive accessory light fixture for this fan, please go to **Step 16**. If not please continue with **Step 15**.

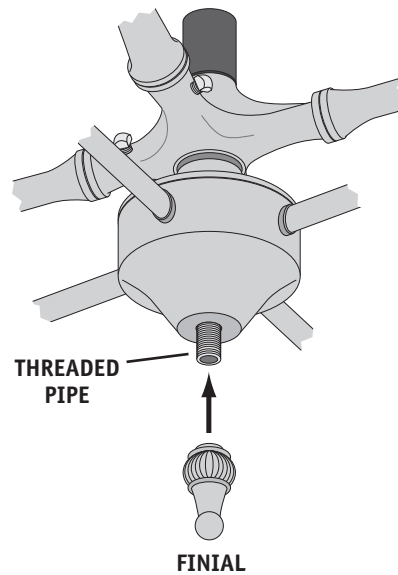
Step 15. Slide the switch housing cup over the threaded pipe from the switch housing. Assure that no wires are pinched.

Secure the cup to the fan with the finial.

Tighten securely *by hand* only.



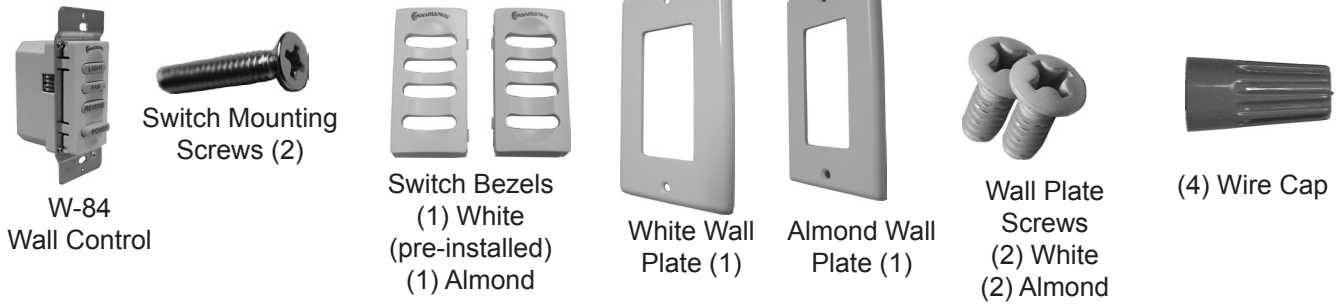
SWITCH HOUSING
CUP





W-84 WALL CONTROL PREPARATION

WALL CONTROL AND HARDWARE (not to scale)



Prepare for W-84 Wall Control Bezel replacement as follows:

Before installing the W-84 wall control you will need to check and see if you will need to change the bezel on the front of the wall control from WHITE to ALMOND. If you are going to use white, skip these steps and go to wall control installation starting on page 24. If you are going to use the ALMOND bezel and wall plate you will first need to change the bezel on the front of the switch before installing the switch in to the wall.

Step 1a. Locate the four (4) tabs holding the bezel to the front of the switch, then press in on each tab one at a time, removing the bezel as shown in Figure #1.

Step 1b. Locate the rubber key pad attached to the four (4) locating pins as shown in Figure #2 and remove rubber key pad from the WHITE bezel, also as shown in Figure #2.

Step 1c. Reinstall the rubber key pad on to the four (4) locating pins located on the almond bezel as shown in Figure #3.

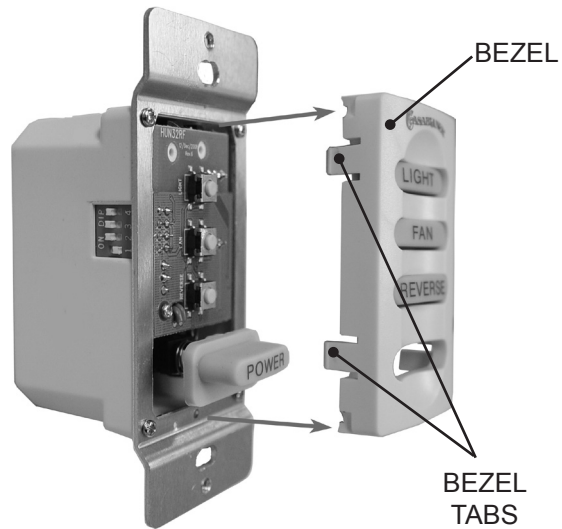


Figure #1

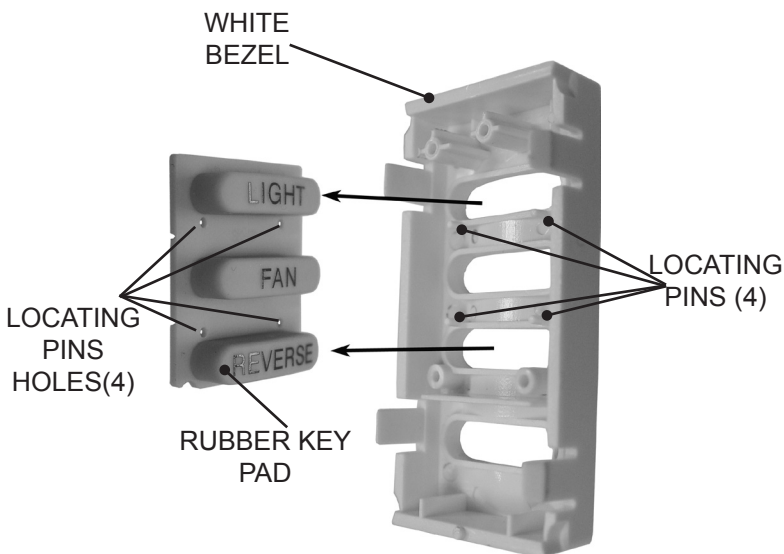


Figure #2

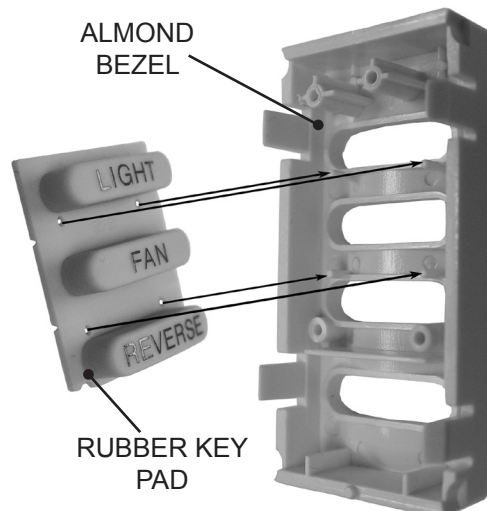


Figure #3



Intel • Touch® 3

Prepare for W-84 Wall Control installation - Continued

Step 1d. Before attaching the bezel back on to the front of the switch, make sure that the rubber key pad is attached to the locating pins on the bezel as shown in Figure #4.

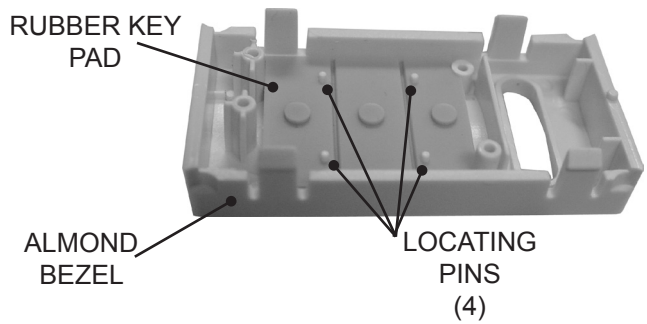


Figure #4

Step 1e. To attach the bezel back onto the front of the switch you will need to align the four (4) tabs on the bezel with the front of the wall control. Gently press on both top and bottom of the bezel at the same time, snap the bezel back on to the front of the switch as shown in both figures #5 and #6.

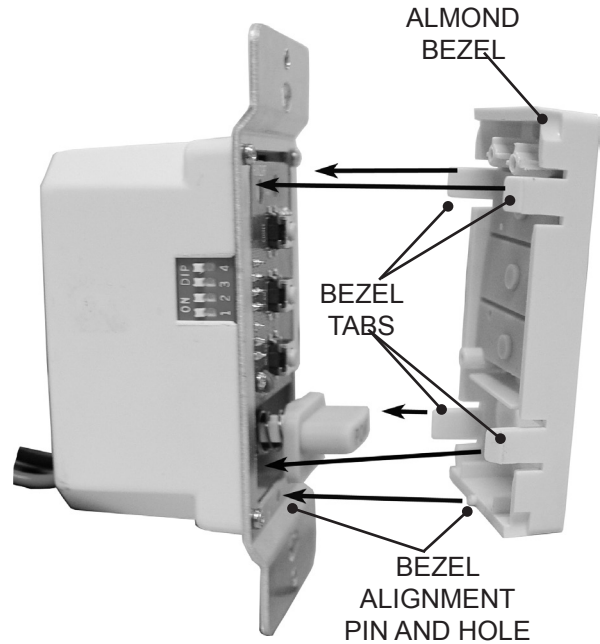


Figure #5

Step 1f. Check your work by pressing on the light, fan, reverse and power buttons, making sure that the buttons do not stick and that each switch functions properly.

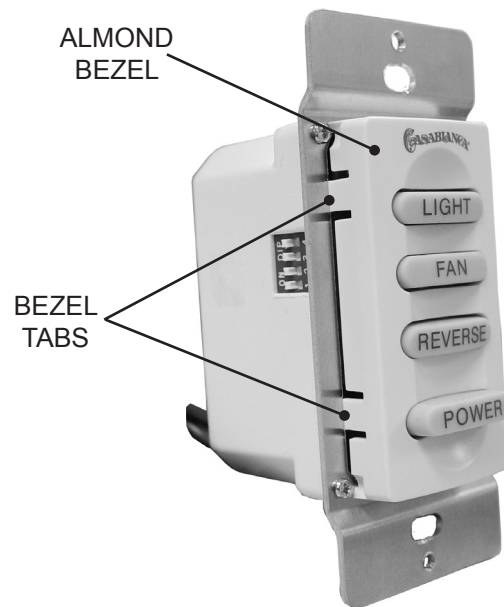


Figure #6

W-84 CONTROL INSTALLATION

INSTALLING THE W-84 WALL CONTROL

NOTE: W-84 Wall Control should only be installed on Casablanca's Intelli-Touch[®] 3 fans with UPLIGHTS ONLY or both an UPLIGHT and a DOWNLIGHT on the fan.

The wall control installs in the same manner as an ordinary light switch, using an existing wall box and wiring. This controller is designed to signal the fan microcomputer as well as perform normal switching operations. For this reason the following precautions must be observed:

1. Use only the Casablanca W-84 wall control.
2. Do not use any additional control with your Intelli-Touch 3 fan (for example, dimmer, or fan speed control).
3. Do not use more than one fan per wall control.
4. No other light fixtures or electrical appliances may be connected on the circuit controlled by the W-84 wall control.

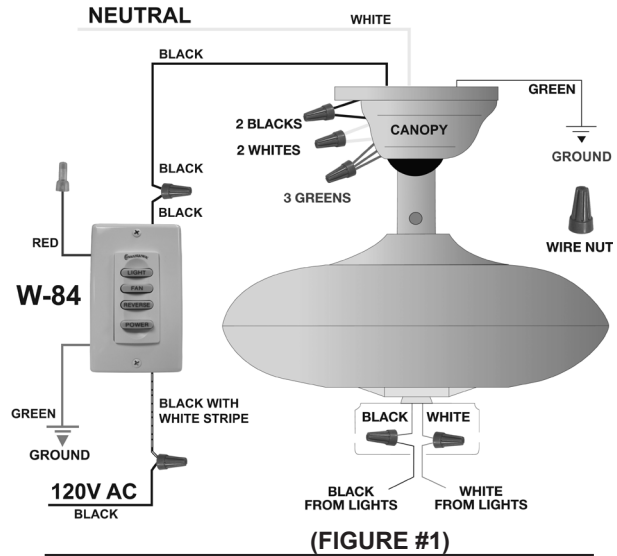
SINGLE W-84 INSTALLATION

CAUTION!

Ensure power is turned OFF at the breaker or fuse panel before starting installation.

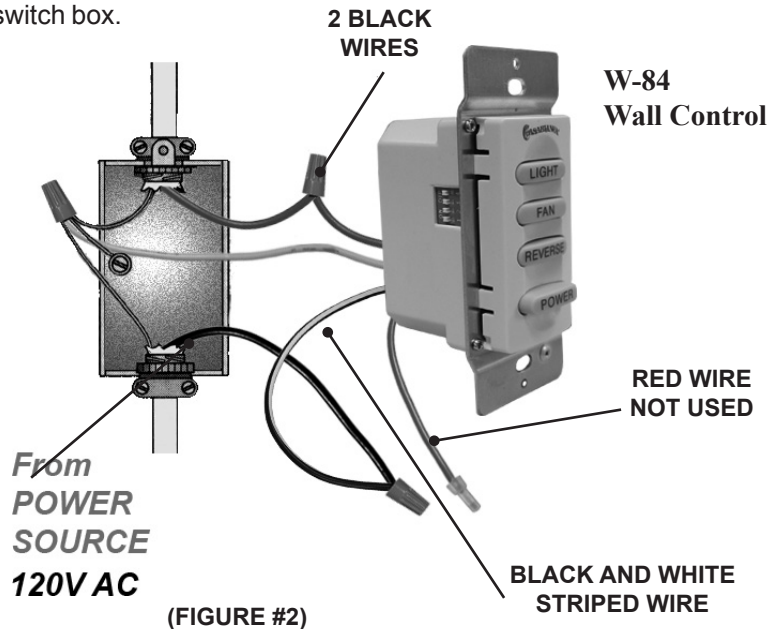
W-84 is used to describe either white (-11) or almond finish. If you have multiple Intelli-Touch[®] 3 fans, refer to the section "Changing Frequency Setting" on page 6.

1. Remove the screws and switch plate from the existing switch box.
2. Remove the screws holding the switch in the switch box.
3. Pull the existing switch from the switch box to expose the wire connections.
4. Remove the two wires from the switch.
5. Connect the BLACK wire from the POWER SOURCE that you just removed from the switch to the BLACK/WHITE STRIP wire on the W-84 wall control. Secure this connection with a wire nut.
6. Connect the second BLACK wire that you just removed from the switch to the second BLACK wire on the located on the back of the W-84 wall control. Secure this connection with a wire nut.
7. Connect the green ground wire coming from the back of the W-84 control to the ground wire in the switch box. Secure the splice with a wire nut.



NOTE: The RED wire is not used in this application. DO NOT remove the crimped cap from the wire.

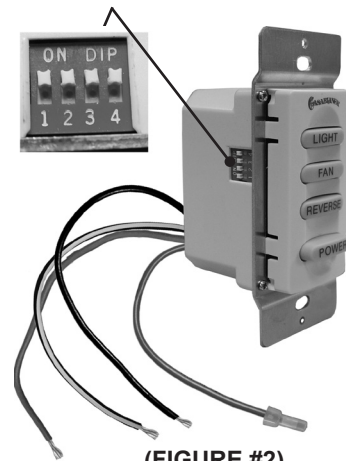
8. Check your work by using the wiring diagrams as shown in Figures # 1 and #2.
9. Install the W-84 in the wall box with the two long screws provided.
10. Install the wall plate with the two color-matched screws.





To control the fan and lights from two locations (a three-way circuit), use two W-84 wall controls as shown in the wiring diagram in Figure #1. Before installing the two switches into the wall, place both switches side by side, then locate the 4 dip switches on the side of the two switches as shown in Figure #2. Then make sure that the dip switches are set to the same address on both switches as shown in Figure #2. When setting these dip switches you are setting the channel number that is required to control both your fan and lights from both sides of the room. If you are installing other Intelli-Touch® 3 fans within your home you may need to reset the dip switches on these other fans to a different channel before installing your W-84 wall control into the wall. Please review the section on channel changing within this part of the operation manual as shown on page #27.

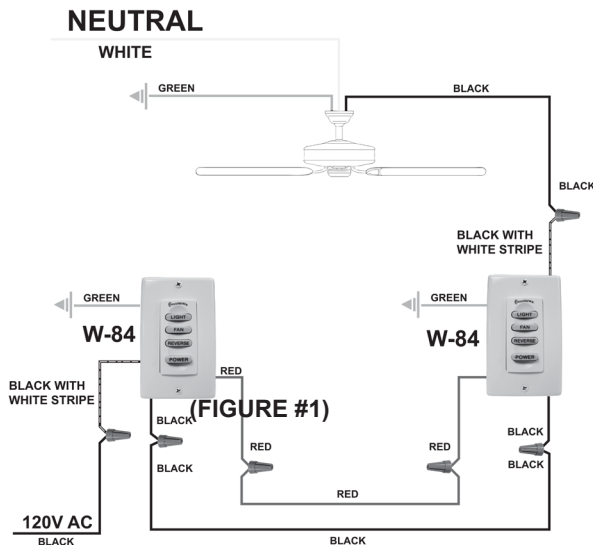
DIP SWITCHES



(FIGURE #2)

CAUTION!

Ensure power is turned OFF at the breaker or fuse panel before starting installation.

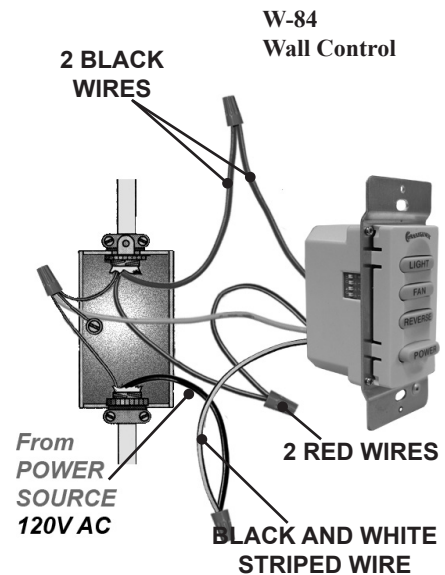


(FIGURE #1)

To control the fan and lights from two locations (a three-way circuit), use two W-84 wall controls.

1. Remove the screws and switch plate from the existing switch box and the screws holding the switch in the switch box.
2. Pull the existing switch from the switch box to expose the wire connections.
3. Determine which wire is connected to the common terminal from the power source (120V AC) of the three-way switch. (The terminal will be marked on switch).

4. Remove the wire from the common terminal of the three-way switch. Connect this wire to the remaining black/white striped wire on the W-84 control. Secure this splice with a wire nut.
5. Remove the two remaining wires from the three-way switch. Connect the black wire of these wires to a black wire on the W-84 control. Secure the splice with a wire nut. The remaining red wire is to be connected to the other red wire on the W-84. Secure the splice with a wire nut.
6. Connect the green ground wire coming from the back of the W-84 control to the ground wire in the switch box. Secure the splice with a wire nut.
7. Check your work by using the wiring diagrams as shown in Figures # 1 and #3 on this page.
8. Install the W-84 in the wall box with the two long screws provided.
9. Install the wall plate with the two short color-matched screws provided.
10. Installation of the second W-84 control is identical. Repeat steps 1 through 7.

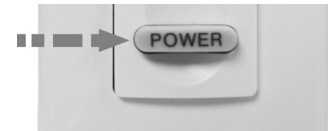


(FIGURE #3)

OPERATION POWER

The **POWER** button is normally left in the on position. Always turn the power off during cleaning or servicing the fan and during thunderstorms. It is also used to exit or enter additional programs.

The **POWER** button must be left on to retain a previously set fan speed or light level.



OPERATION SPEED CONTROL

There are six individual speed settings for the fan; each speed is indicated by an audible tone of increasing pitch.

To select the desired fan speed:

1. With fan off, press and hold the button labeled **FAN**. The fan blades will start rotating at the slowest speed, and will increase in steps.
2. Release the button when the desired speed is reached.

The fan speed is now in memory and will automatically come on at the same speed each time the **FAN** button is used. To maintain this level of speed, turn the fan on by pressing **FAN** less than one second. To lower speed, turn fan off, then on by pressing and holding the **FAN** button until the desired speed is reached. When the fan is on, you may increase the speed by pressing and holding the **FAN** button until the desired speed is reached, then release it.

FAN CONTROL

ON - OFF:
A momentary press of the **FAN** button

CHANGE SPEED:
Press and hold **FAN** button longer than one second



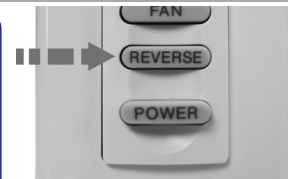
OPERATION REVERSING AIRFLOW

The direction of airflow can be changed from downward to upward or from upward to downward.

To reverse the airflow:

1. Make sure the **FAN** is on and blades are Turning.
2. Press the **REVERSE** button.

Note: A four-toned signal indicates the command was accepted by the fan. A few seconds later the fan will slow to a stop and then reverse direction.



OPERATION LIGHTS

To turn the lights off and on, press and release the **LIGHT** button for less than one second.

1. First press/release of the **LIGHT** button- Both lights shall turn ON.
2. Second press/release of the **LIGHT** button- Both lights shall turn OFF.
3. Third press/release of the **LIGHT** button – Downlight turns ON only.
4. Fourth press/release of the **LIGHT** button – Downlight turns OFF.
5. Fifth press/release of the **LIGHT** button – Uplights turns ON only.
6. Sixth press/release of the **LIGHT** button - Uplights turns OFF only.

To vary the light brightness at each touch level:

Make sure where you are in the sequence to the right.

To dim both lights at the same time:

1. Make sure you have the uplight on.
2. Turn the light off, then press and hold the **LIGHT** button. After one second, both lights will come on at their lowest setting and gradually become brighter or dimmest level if you continue holding the **LIGHT** button.
3. Release the **LIGHT** button when the desired brightness is reached.



LIGHT CONTROL

ON - OFF:
A momentary press of the **LIGHT** button

CHANGE BRIGHTNESS:
PRESS AND HOLD LIGHT BUTTON LONGER THAN ONE SECOND



To dim just the up light:

1. Make sure you have just the downlight on.
2. Turn the light off, then press and hold the **LIGHT** button. After one second, the up light will come on at their lowest setting and gradually become brighter or dimmest level if you continue holding the **LIGHT** button.
3. Release the **LIGHT** button when the desired brightness is reached.

To dim just the down light:

1. Make sure you have both lights on.
2. Turn the light off, then press and hold the **LIGHT** button. After one second, down light will come on at their lowest setting and gradually become brighter or dimmest level if you continue holding the **LIGHT** button.
3. Release the **LIGHT** button when the desired brightness is reached.

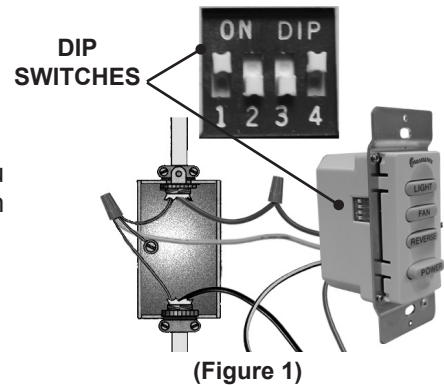
NOTE: Light Operation - the light varies from "bright" to "dim" over approximately 8 seconds. This sequence will reverse the light when it reaches the brightest or dimmest level if you continue to hold the **LIGHT** button. Release the button when the desired level is reached.

CHANGING FREQUENCY SETTING

NOTE: All fans leave the factory set to "1111"

You will only have to change the dip switch settings in the remote if you are using more than one fan in the same area and want to control them separately.

NOTE: DO NOT set dip switch setting in the remote to '0000', this may cause frequency interference from other Casablanca Products.



Step 1. Turn power OFF at the circuit breaker or fuse box and at the toggle switch, for the fan you want to change.

Step 2. Remove the screws and switch plate from the existing switch box.

Step 3. Remove the screws holding the switch in the switch box.

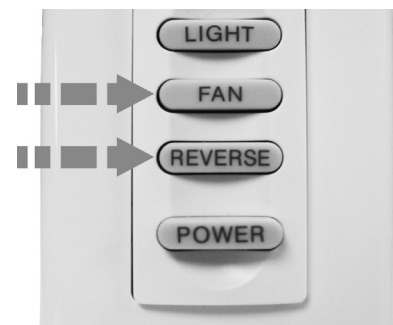
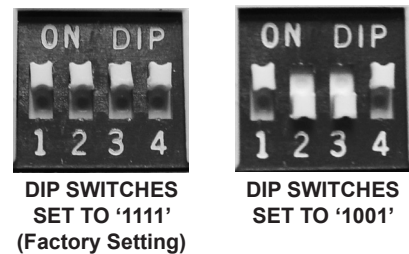
Step 4. Pull the existing W-84 switch from the switch box to expose the dip switches located on the side of the control as shown in Figure #1.

Step 5. Change the dip switch settings, assuring that they are different from the previously installed Intel-Touch® 3 fan.

Step 6. Mount the W-84 Wall Control unit back into the wall electrical box.

Step 7. At the circuit breaker or fuse box and at the toggle switch, turn the power off for the fan whose frequency you are changing.

Step 8. Within 20 seconds of restoring power to the ceiling fan and the W-84 Wall Control press and hold both the "FAN" and "REVERSE" buttons as shown in Figure #2. For 3 seconds, you will hear one tone from the Piezo Buzzer indicating the command has been accepted.





Intel • Touch® 3

AUTOMATIC DEMONSTRATION PROGRAM

Programmed into every Intelli-Touch® Series fan is an Automatic Demonstration Program. It can be used to fully demonstrate and test the operation of the fan.

To enter the demonstration program:

1. Turn **POWER** off for at least 5 seconds. This will clear the fan memory ready for programming.
2. Turn **POWER** on.
3. Immediately operate the buttons in the following sequence:



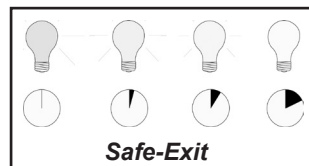
A multi-tone signal will verify the start of the test program which proceeds as follows:

- Lights slowly increase to full intensity.
- Fan accelerates to speed three with audio tones.
- Light dims to half intensity.
- Fan accelerates to full speed with audio tones.
- Fan reverses at full speed with audio tones.
- Fan operates at full speed.
- Fan turns off with audio tones (blades coast for a short time).
- Lights turn off.

The complete cycle lasts slightly over one minute. It will continue to repeat until the **POWER** is turned off for more than five seconds, cancelling the program.

OPERATION SAFE-EXIT® AND LIGHT-MINDER® PROGRAM

NOTE: Both Light-Minder and Safe-Exit programs will always run at the same time.



The **Safe-Exit Program** gives you about thirty seconds of light when you turn the lights off, enabling you to exit your home before the lights go out. To enter the Safe-Exit Program:

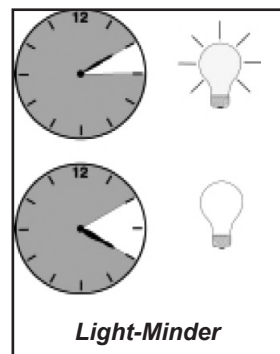
- 1) To operate the lights for Safe-Exit Program – Press the **POWER** button off for at least five seconds.
- 2) Turn the Power on. Immediately press the buttons in the following sequence: **FAN** + **FAN** + **LIGHT** + **LIGHT**. The **LIGHT** Button should be immediately press after an audio tone is heard from the fan controller. The lights shall blink to indicate this command has been accepted. The lights shall stay on for 30 seconds and then begin to dim. After thirty seconds have elapsed, the lights shall be completely off.
- 3) To cancel the Safe-Exit Program, press the **POWER** button off for five seconds.

NOTE: If the lights are left on in the room, the lights will automatically turn OFF after 2 hours. (this is Light-Minder)

The **Light-Minder Program** automatically turns OFF the fan mounted lights after two hours.

To enter the Light-Minder Program:

- 1) To operate the lights for Light Minder Program – Press the **POWER** button off for at least 5 seconds.
- 2) Turn the **POWER** on. Immediately press the buttons in the following sequence: **FAN** + **FAN** + **LIGHT** + **LIGHT**. A series of tones will be heard through the piezo-buzzer indicating the command has been accepted. Once the lights turn on, they will automatically turn off after 2 hours.
- 3) Light operation still remains normal, if you leave the room and turn OFF the lights will blink to indicate this Safe-Exit command has been accepted. The lights will stay on for 30 seconds and then begin to dim. After thirty seconds have elapsed, the lights will turn completely off.
- 4) To cancel the Light-Minder and Safe-Exit Programs, press the **POWER** button.





Intel • Touch® 3

OPERATION HOME-SAFE® PROGRAM

The **Home-Safe Program** makes an unoccupied home appear occupied by turning the lights on and off at random times.

To enter the Home-Safe Program:

- 1) To operate the lights and fan for Home Safe Program – Press the **POWER** Button off for a least 5 seconds.
- 2) Turn the **POWER** on. Immediately press the buttons in the following sequence: **LIGHT** + **FAN** + **LIGHT** + **FAN** . A series of tones will be heard through the piezo-buzzer and flashing lights indicating the command has been accepted will follow. This program overrides all manual control of lights and fan. Once the lights turn on, they will automatically turn off after 2 hours.
- 3) The lights will automatically cycled on and off in a controlled sequence as follows: ON 1 hour, OFF ½ hour, ON 2 hours, OFF 1 hour, ON ½ hour then OFF 2 hours. This seven hour pattern will repeat continuously so that a different pattern of lighting is seen each day of the week.
- 4) To cancel the Home-Safe Program, press the **POWER** Button OFF for five seconds.



OPERATION FAN-MINDER™ PROGRAM

The **Fan-Minder** feature will add to your comfort when used in the bedroom. The program reduces the speed of the fan each two-hour interval to compensate for cooling night air.

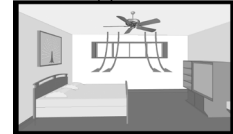
To enter the Fan-Minder Program:

1. Turn the **POWER** OFF for at least 5 seconds.
2. Turn the **POWER** ON.
3. Immediately operate the buttons in the following sequence:

LIGHT + **LIGHT** + **FAN** + **FAN**

4. The fan will respond with three descending tones. A timer is now initiated and the fan will reduce one speed for each two-hour interval. The fan will not, however, descend below the first or the lowest speed.
5. You may increase the fan speed by pressing and holding the **FAN** button until the desired speed is reached, then release it. The fan will again reduce one speed for each 2 hour interval.
5. To cancel the Fan-Minder Program, turn the **POWER** OFF for three seconds.

Fan Minder (A)



STRONG AIRFLOW

Fan Minder (B)



GENTLE AIRFLOW



Intel • Touch® 3

IN THE WALL BEZEL REPLACEMENT

WALL CONTROL AND HARDWARE (not to scale)



W-84
Wall Control



Switch Mounting
Screws (2)



Switch Bezels
(1) White
(1) Almond



White Wall
Plate(1)



Almond Wall
Plate(1)



Wall Plate
Screws
(2) White
(2) Almond



(4) Wire Cap

WARNING!

To avoid possible electrical shock, make certain that electricity is turned off at the circuit breaker or fuse box before attempting any installation or repair procedure

CAUTION! NOT turning the power OFF at the circuit breaker or fuse box may cause damage to the electronics within the wall control and/ or the PC board on the fan.

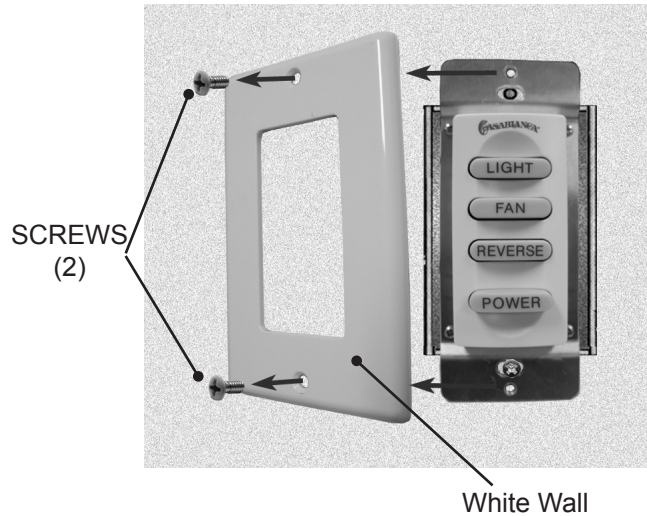


Figure #1

W-84 Wall Control Bezel Replacement installation as follows - (In the Wall Replacement):

Step 1a. Locate the two (2) screws holding the switch plate to the wall control and remove the cover plate as shown in Figure #1.

Step 1a. Locate the four (4) tabs holding the bezel to the front of the switch, then press in on each tab one at a time, removing the bezel as shown in Figure #2.

Step 1b. Locate the rubber key pad attached to the four (4) locating pins as shown in Figure #2 and remove rubber key pad from the WHITE bezel, also as shown in Figure #2.

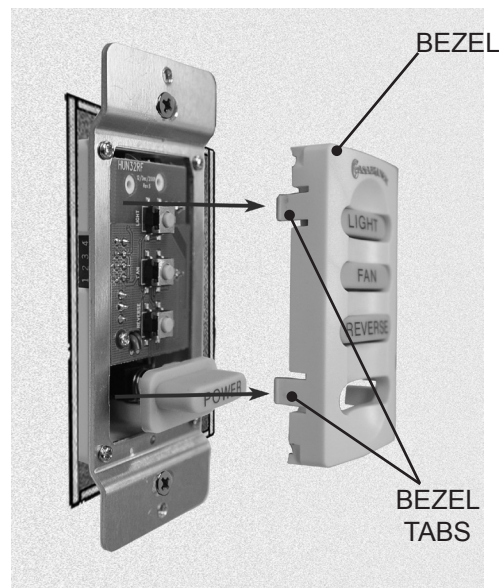


Figure #2

**W-84 Wall Control Bezel replacement: -
CONTINUED**

Step 1c. Locate the rubber key pad attached to the four (4) locating pins and remove rubber key pad from the WHITE bezel, also as shown in Figure #3.

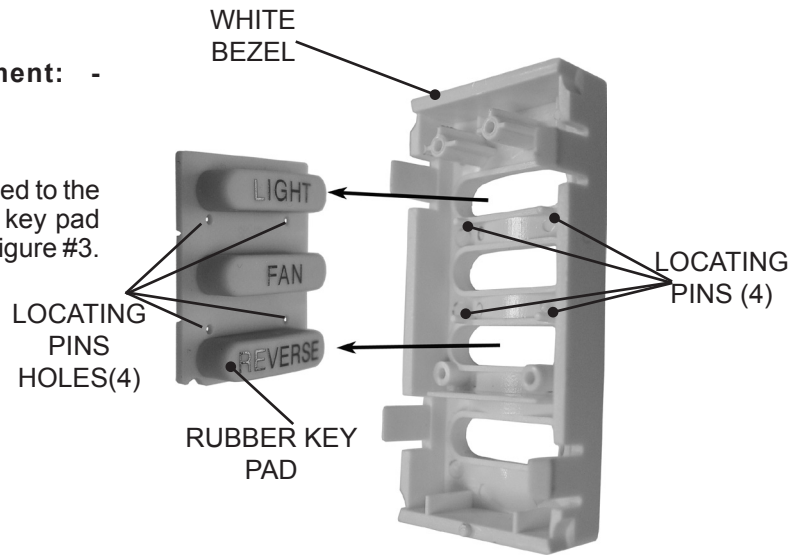


Figure #3

Step 1d. Reinstall the rubber key pad on to the four (4) locating pins located on the almond bezel as shown in Figure #4.

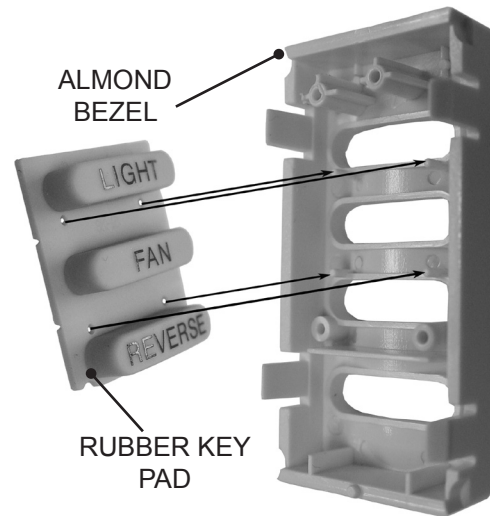


Figure #4

Step 1e. Before attaching the bezel back onto the front of the switch, make sure that the rubber key pad is attached to the locating pins on the bezel as shown in Figure #5.

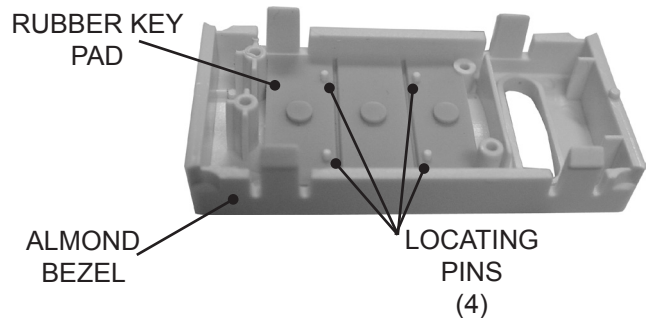


Figure #5

W-84 Wall Control Bezel replacement: - CONTINUED

Step 1e. To attach the bezel back on to the front of the switch you will need to align the four (4) tabs on the bezel with the front of the wall control and by gently pressing on both top and bottom of the bezel at the same time, snap the bezel back on to the front of the switch as shown in both figures #6.

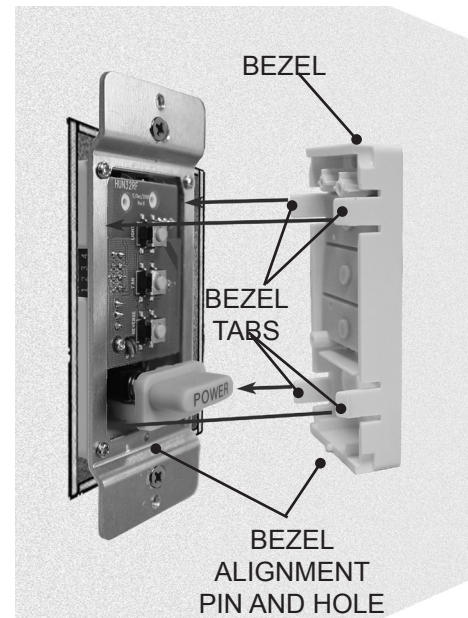


Figure #6

Step 1f. Re-attach the wall plate using the two (2) almond screws as shown in Figure #7. Check your work by pressing on the light, fan, reverse and power buttons, making sure that the buttons do not stick and that each switch functions properly. Turn the power back ON and test the fan and lights.

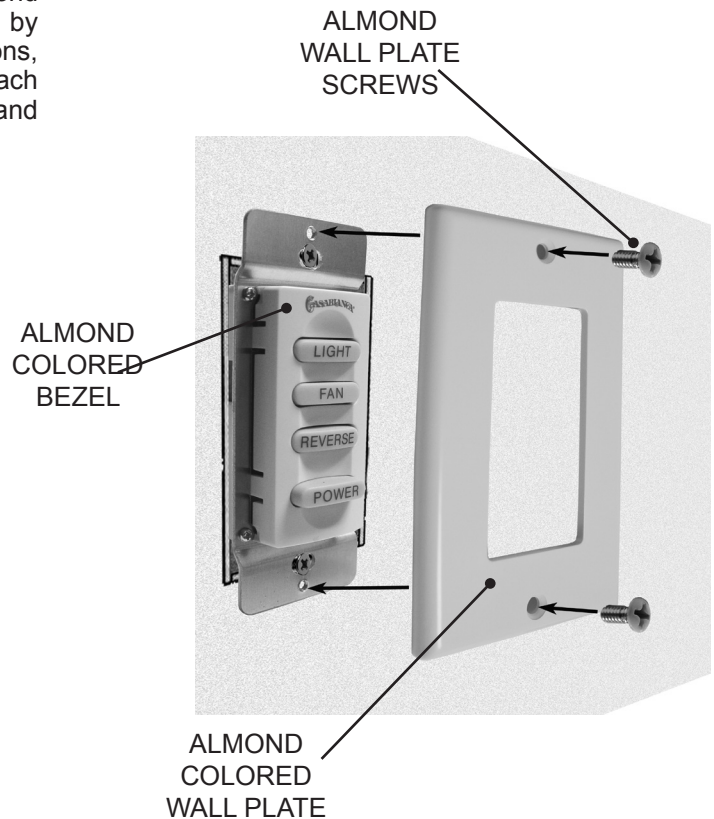


Figure #7

TROUBLESHOOTING TIPS

Please refer to this troubleshooting guide before requesting service or contacting your dealer for assistance.

PROBLEM	POSSIBLE REMEDIES
Fan will not start	<ul style="list-style-type: none"> • Check the main circuit fuses, circuit breakers, and wall switch position. Check all wire connections. Make sure the power is turned off during this inspection. • Pin connectors are not making good contact. Check all connections. • The fan receiver is defective. Replace the fan receiver.
Fan is noisy during operation	<ul style="list-style-type: none"> • Reset the frequency setting: Turn the power off at the circuit breaker for the fan that is not functioning only. Within 20 seconds from restoring power to the ceiling fan and the W-84 Wall Control press and hold both the "Fan" and "REVERSE" buttons as shown in Figure #2 for 3 seconds, you will hear one tone from the Piezo Buzzer indicating the command has been accepted. The Fan will come on at "low" speed in the reverse direction. into the slot on the ball. • Check that the blade holders have not been bent during installation and the blades are balanced. • The hanger bracket and/or the ceiling outlet are attached too loosely. Make sure the hanger bracket is attached tightly to the ceiling outlet box and the downrod assembly is secured firmly. • The downrod is attached to the downrod base too loosely. Make sure all the screws are securely tightened.
Fan does not run on low speed	<ul style="list-style-type: none"> • When changing fan speeds, you may hear several audible clicks. This is normal operation. • Check and tighten the light fixture retaining screws, glass shade screws, and/or lightbulb(s). • Tighten the canopy screws and mounting plate assembly. Make sure the wire nuts inside the canopy and switch housing are not touching the metal parts and that they have not fallen off the wire splices. Tighten as necessary. • Tighten the blade holders to the flywheel (or Direct Drive motor) and the blades to the bladeholder screws. • Make sure all the screws in the motor housing are snug but not overly tight.

This device complies with RSS-210 of Industry Canada. Operation is subject to the following two conditions: (1) this device may not cause interference, and (2) this device must accept any interference, including interference that may cause undesired operation of the device.

1. This device complies with part 15 of the FCC Rules. Operation is subject to the following two conditions: (1) this device may not cause harmful interference, and (2) this device must accept any interference received, including interference that may cause undesired operation.

2. This equipment has been tested and found to comply with the limits for a Class B digital device, pursuant to Part 15 of the FCC Rules. These limits are designed to provide reasonable protection against harmful interference in a residential installation. This equipment generates, uses and can radiate radio frequency energy and, if not installed and used in accordance with the instructions, may cause harmful interference to radio communications. However there is no guarantee that interference will not occur in a particular installation. If this equipment does cause harmful interference to radio or television reception, which can be determined by turning the equipment off and on, the user is encouraged to try to correct the interference by one or more of the following measures: Reorient or relocate the receiving antenna, increase the separation between the equipment and receiver, Connect the equipment into an outlet on a circuit different from that to which the receiver is connected. Consult the dealer or an experienced radio/TV technician for help. Note: Any changes or modifications to the transmitter or receiver not expressly approved by Casablanca Fan Company may void one's authority to operate this remote control.

CARE RECOMMENDATIONS

Fan Finishes

- For cleaning, a soft brush or lint-free cloth should be used to prevent scratching the finish.
- A vacuum cleaner brush nozzle can remove heavier dust.
- Surface smudges or an accumulation of dirt and dust can be removed easily using a mild detergent and slightly dampened soft cloth. An antistatic agent may be used, but **never use abrasive cleaning agents** as these will damage the finish.

Blades

- Wood-finish blades should be cleaned with a furniture polishing cloth. Occasionally, a light coat of furniture polish may be applied for added protection and beauty.
- For painted and high-gloss blades, surface smudges or an accumulation of dirt and dust can be removed easily using a mild detergent and slightly dampened soft cloth. An antistatic agent may be used, but **never use abrasive cleaning agents** as these will damage the finish.

No Need for Lubrication

- **Never lubricate this fan!** The precision motor at the heart of your Casablanca fan features sealed bearings that are lubricated for life.
- Do not attempt to oil the motor.

Changing Lightbulbs

- Be sure to turn the power to OFF at the wall switch or circuit breaker before changing lightbulbs.
- Replace bulbs with the same type as you removed from the light fixture.

For questions or to locate the nearest Casablanca Authorized Service Center

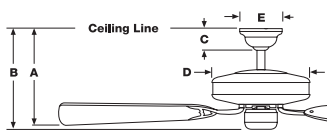
call toll free: 1-888-227-2178
or visit us on the web at: www.casablancafanco.com

PRODUCT SPECIFICATIONS

Model Name: 19th Century

Model Number: 99UxxZ

Dimensions:
A = 22.5"
B = 28.05"
C = 6.71"
D = 10.65"
E = 6.57"



Weight: 36 lbs.

Motor: XLP Plus™

Blade Span: 60"

Blade Iron Pitch: 15°

No. of Blades: 5

Technology: Intelli-Touch®³ W-84

Airflow: 6050 cfm

Electricity Use: 107 watts

Airflow Efficiency: 56 cfm/watt



Free Manuals Download Website

<http://myh66.com>

<http://usermanuals.us>

<http://www.somanuals.com>

<http://www.4manuals.cc>

<http://www.manual-lib.com>

<http://www.404manual.com>

<http://www.luxmanual.com>

<http://aubethermostatmanual.com>

Golf course search by state

<http://golfingnear.com>

Email search by domain

<http://emailbydomain.com>

Auto manuals search

<http://auto.somanuals.com>

TV manuals search

<http://tv.somanuals.com>