

HRVCCLHA, HRVCCSVU, HRVCCLVU HRVCCSVB, HRVCCSHB Heat Recovery Ventilator



Owner's Manual

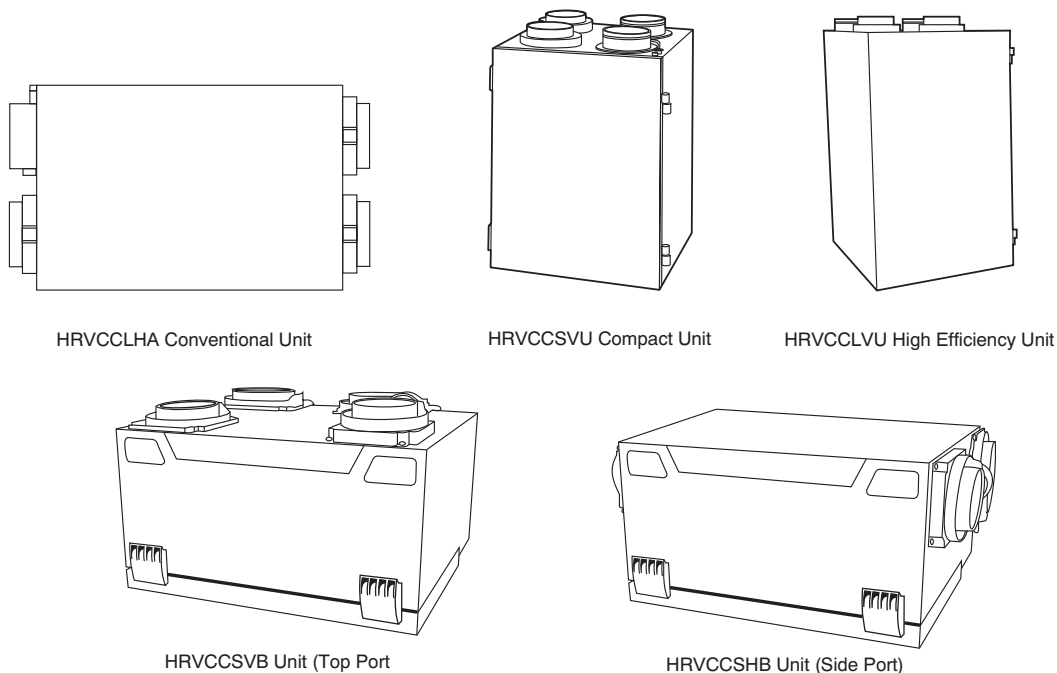


Fig. 1 - Heat Recovery Ventilators

A09702

NOTE TO EQUIPMENT OWNER:

For your convenience, please record the model and serial numbers of your new equipment in the spaces provided. This information, along with the installation data and dealer contact information will be helpful should your system require maintenance or service.

HEAT RECOVERY VENTILATOR

Model # _____

Serial # _____

ACCESSORIES (List type and model #)

INSTALLATION INFORMATION:

Date Installed _____

DEALERSHIP CONTACT INFORMATION:

Company Name _____

Address _____

Phone Number _____

Technician Name _____

NOTE TO INSTALLER:

This manual must be left with the equipment owner.

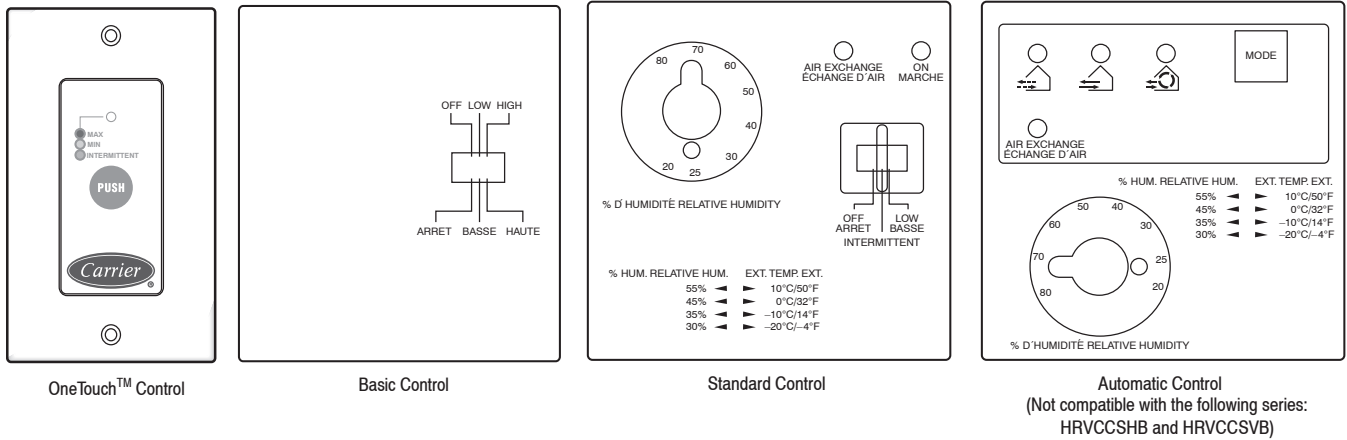



Fig. 2 - Controls

A10003

SAFETY CONSIDERATIONS

Recognize safety information. This is the safety-alert symbol . When you see this symbol on the unit and in instructions or manuals, be alert to the potential for personal injury. Understand these signal words; DANGER, WARNING, and CAUTION. These words are used with the safety-alert symbol. DANGER identifies the most serious hazards which **will** result in severe personal injury or death. WARNING signifies hazards which **could** result in personal injury or death. CAUTION is used to identify unsafe practices which **would** result in minor personal injury or product and property damage. NOTE is used to highlight suggestions which **will** result in enhanced installation, reliability, or operation.

OPERATING YOUR HEAT RECOVERY VENTILATOR (HRV) WITH ONE TOUCH™ CONTROL:

Press “PUSH” until the desired ventilation operation is selected. There are three selections:

High, Low, Intermittent. The power indicator light indicates which mode has been selected.

High: This mode is recommended for the removal of excess pollutants and humidity. The ventilator will operate at its maximum speed continuously. The power indicator light will be lit red when this mode is selected.

Low: This mode is recommended for normal daily operation. The ventilator will operate at its minimum speed continuously. The power indicator light will be lit yellow when this mode is selected.

Intermittent: This mode is recommended when the inside air is too dry in the heating season or too humid in the cooling season. The ventilator will operate at its minimum speed for 20 minutes per hour and be off for 40 minutes per hour. The power indicator light will be lit green when this mode is selected.

Off: To turn the ventilator off, press “Push” until the power indicator light is turned off.

OPERATING YOUR HEAT RECOVERY VENTILATOR (HRV) WITH BASIC, STANDARD AND AUTOMATIC CONTROL

Your HRV is designed to operate as an integral part of your total heating and cooling system. With the exception of high capacity models, which are available with standard controls only, all HRVs offer 4 control options (See Fig. 2).

- Basic Controls: Allow the user to manually set the unit to low- or high- fan speed as required to maximize comfort. Controls

may be unit mounted.

- Standard Controls: Offer automatic dehumidistat control and the option to select low speed or intermittent fan during heating season.
- Automatic Controls: In addition to the operational features found with standard controls, automatic controls feature a recirculation mode. Not for use with forced-air HVAC systems.

Fan Speed Control — Enables user to modulate fan speed from low to high.

Dehumidistat Control — Allows the user to select the relative humidity level at which the unit would change fan speed to avoid condensation problems while heating during the winter months. (See Table 1).

Continuous Mode — If the relative humidity inside the building is lower than selected, air exchange would occur with the outside at low speed. If the relative humidity level inside the building is higher than selected, air exchange would occur outside at high speed. This ensures continuous air exchange for constant air quality.

Intermittent Mode — If the relative humidity inside the building is lower than selected, no air exchange would occur, and the system would turn off. If the relative humidity inside the building is higher than selected, air exchange would occur with outside at high speed. This ensures minimum air exchange level when the building is unoccupied to minimize operating cost.

Recirculation Mode — If the relative humidity inside the building is lower than selected, indoor air would be circulated and filtered at high speed. If the relative humidity inside the house is higher than selected, air exchange would occur with outside at high speed. This ensures continuous movement and filtration of air for maximum comfort.

WARNING

ELECTRICAL OPERATION HAZARD

Failure to follow this warning could result in personal injury or death.

Before servicing system, always turn off main power to system. Turn off accessory heater power if applicable. There may be more than 1 disconnect switch.

⚠ CAUTION

CUT HAZARD

Failure to follow this caution may result in personal injury.

Although special care has been taken to minimize sharp edges in the construction of your unit, be extremely careful when handling parts or reaching into the unit. Wear appropriate protective clothing and gloves when working on this unit.

PERFORMING ROUTINE MAINTENANCE

1. The motors are factory lubricated. Lubricating the bearings is not recommended.
2. The heat recovery core must be handled with care. To ensure maximum efficiency of the plastic partitions wash core once a year following the season of most intense use. Allow the heat recovery core to soak for 3 hours in a solution of warm water and mild soap. Rinse under a stream of warm water. Hot water and strong detergent should NOT be used, as it will damage the heat recovery core.

3. A dirty air filter will cause excessive strain on the blower motor. The filters in your HRV are washable and should be cleaned every 3 months. Use a vacuum cleaner to remove the heaviest portion of accumulated dust, then wash in warm water.

The Air Exchange Indicator light on the auto control will indicate when filters should be cleaned. The light will flash on and off until the door is opened to service the unit.

4. Regularly check the screen on the exterior intake hood and clean as necessary.

5. Examine the condensate drain pan to ensure drains are functioning properly. Gently clean tray with mild soapy water. (See Fig. 3 and 4).

BEFORE YOU REQUEST A SERVICE CALL

- Check the main power disconnect switch. Verify that the circuit breakers are ON or that fuses have not blown. If you must reset breakers or replace fuses, do so only once. Contact your servicing dealer for assistance if the breakers trip or the fuses blow a second time.
- Check for sufficient airflow. Check air filters for accumulations of large particles. Check for blocked exhaust-air grilles or ductwork. Keep grilles and duct work open and unobstructed.
- If the condensate fails to drain properly, check the grommet and drain tube for obstructions. Make sure that the condensate drain tube has a slight slope and is not kinked.

If your HRV still fails to operate properly, contact your servicing dealer. Give him your model and serial number. With this information, the dealer will be able to correct any problems.

HRV

Table 1 – Recommended Humidity Levels

OUTSIDE TEMPERATURE	DOUBLE-PANE WINDOWS	TRIPLE-PANE WINDOWS
50°F / 10°C	55%	65%
32°F / 0°C	45%	55%
14°F / -10°C	35%	45%
-4°F / -20°C	30%	45%
-22°F / -30°C	25%	35%

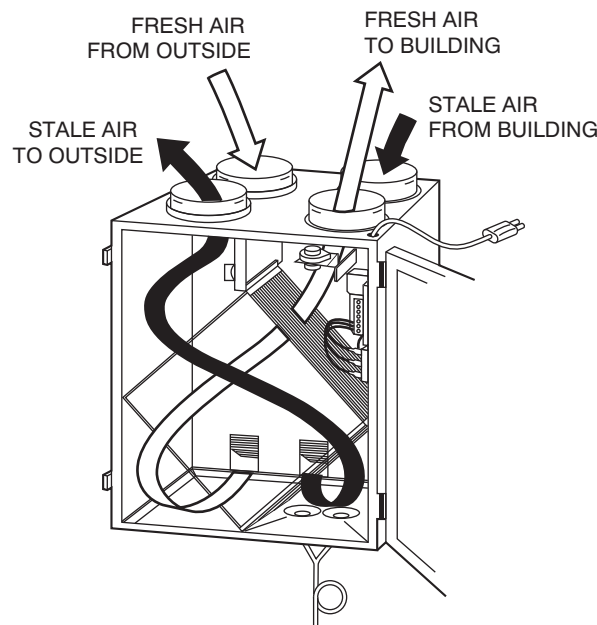


Fig. 3 - Vertical Application

A92382

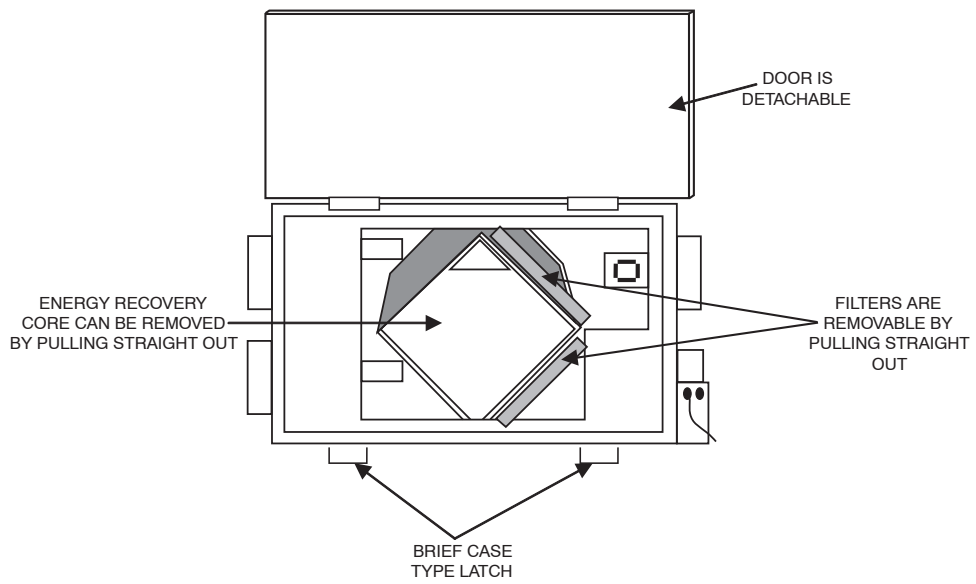


Fig. 4 - Horizontal Application

A99300

Free Manuals Download Website

<http://myh66.com>

<http://usermanuals.us>

<http://www.somanuals.com>

<http://www.4manuals.cc>

<http://www.manual-lib.com>

<http://www.404manual.com>

<http://www.luxmanual.com>

<http://aubethermostatmanual.com>

Golf course search by state

<http://golfingnear.com>

Email search by domain

<http://emailbydomain.com>

Auto manuals search

<http://auto.somanuals.com>

TV manuals search

<http://tv.somanuals.com>