



Installation Instructions

Heater Part Numbers: CRHEATER200A00 through CRHEATER263A00
 Single Point Box Part Numbers: CSINGLE028A00 through CRSINGLE036A00

HEATER PACKAGE CONTENTS

ITEM	QUANTITY
Heater Module	1
Wiring Label	1

SINGLE POINT BOX PACKAGE CONTENTS

ITEM	QUANTITY
Single Point Box	1
Terminal Block	*
Wiring Label	1
Fuse Block†	*

* Quantity varies by kit.

† If single point box has fuses, contents will include a hinged cover, rivets, and magnetic latch.


TABLE OF CONTENTS

SAFETY CONSIDERATIONS 1
 GENERAL 1
 INSTALLATION 1-31
 Heater Installation 1
 Install Single Point Box 4
 Configuring ComfortLink™ Control 4

SAFETY CONSIDERATIONS


Improper installation, adjustment, alteration, service, maintenance, or use can cause explosion, fire, electrical shock, or other conditions which may cause personal injury or property damage. Consult a qualified installer, service agency, or your distributor or branch for information or assistance. The qualified installer or agency must use factory—authorized kits or accessories when modifying this product. Refer to the individual instructions packaged with kits or accessories when installing.

Follow all safety codes. Wear safety glasses and work gloves. Use quenching cloth for brazing operations. Have fire extinguisher available. Read these instructions thoroughly and follow all warnings or cautions attached to the unit. Consult local building codes and National Electrical Code (NEC) for special requirements.

Recognize safety information. This is the safety—alert symbol . When you see this symbol on the furnace and in instructions or manuals, be alert to the potential for personal injury.

Understand the signal words DANGER, WARNING, and CAUTION. These words are used with the safety—alert symbol. DANGER identifies the most serious hazards which **will** result in severe personal injury or death. WARNING signifies a hazard which **could** result in personal injury or death. CAUTION is used to identify unsafe practices which **may** result in minor personal


injury or product and property damage. NOTE is used to highlight suggestions which **will** result in enhanced installation, reliability, or operation.

 **CAUTION**

ELECTRICAL OPERATION HAZARD

Failure to follow this caution may cause personal injury and damage to equipment.

Field modification of electric heat staging may result in the overriding of electric heat safety switches and is prohibited.

 **CAUTION**

PROPERTY DAMAGE HAZARD

Failure to follow this caution may result in property damage.

When removing panels from the unit, be careful not to damage the roof or other surfaces with the panels.

GENERAL

This installation instruction covers accessory heaters CRHEATER200A00 through CRHEATER263A00. A single point box may be required for some heaters. The single point box must be ordered separately when required.

INSTALLATION

Heater Installation

Perform the following procedure to install the accessory electric heaters:

1. Turn off power to the unit. Install “Lock—Out Tag—Out” tag on unit disconnect or breaker.
2. Configure unit for horizontal duct configuration, if desired.

NOTE: The 50PG16 size requires an accessory conversion kit for converting from vertical to horizontal duct configuration.

3. Permanently mark the appropriate block on the unit nameplate for the accessory heater installed.
4. Verify unit input power wire sizing and circuit protection per requirements on the unit nameplate for the accessory heater installed.
5. Open the electric heater section, compressor section, and indoor fan section access doors. (See Fig. 1.)

6. Remove the block-off plate from electric heater compartment and save screws. (See Fig. 2.)
7. Slide heater module into heater compartment by aligning the heater frame with the heater opening. Do NOT handle heater assembly by the heating coils. Handle by sheet metal panel only. (See Fig. 3.)

NOTE: The 50PG16 heater bottom-rear flange will secure into a slot on the internal cross rail when fully installed. Check that the heater flange is straight and flat before installing.

8. Secure electric heater to unit using screws from item 6. Heater will attach to the block off plate screw holes.
9. Route heater power wires to the left through the foam bushing and to the single point power connection box in the compressor section. (See Fig. 3 and 4.)
10. Install the single point box, if required. Refer to the Install Single Point Box, Step 2, for details.

11. Route the control wires to the left through the foam bushing. Connect to the mating plug (PL-3) in the wire harness in the indoor fan section. Do not route 24 volt low voltage wiring beside high voltage wiring. Maintain at least a 1-2" separation.

12. Set the manual reset limit switch on the fan housing by pressing the button located between the terminals on the switch. (See Fig. 3.)

NOTE: This switch is added as a supplemental means to de-energize the electric heat contactor in case of indoor airflow failure. The switch should only open and require reset for a switch temperature above 200°F.

13. Apply heater wiring label to inside of electric heater section door. (See Fig. 5.)
14. Close all access doors.
15. Remove "Lock-Out Tag-Out" tag. Apply power to unit.

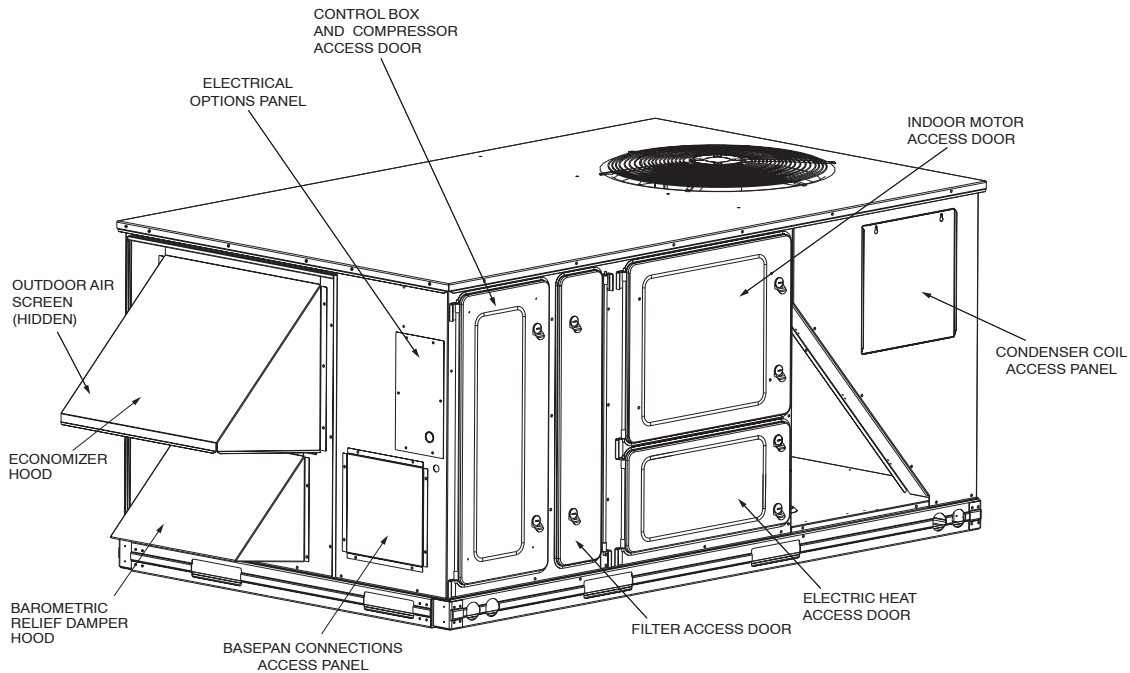


Fig. 1 – Panel Locations

C06182

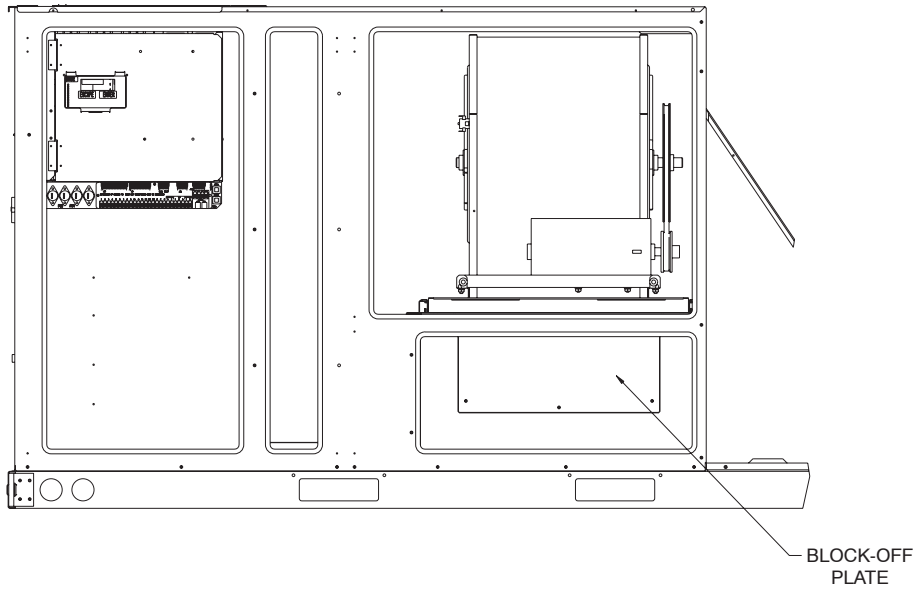


Fig. 2 – Block-Off Plate

C06183

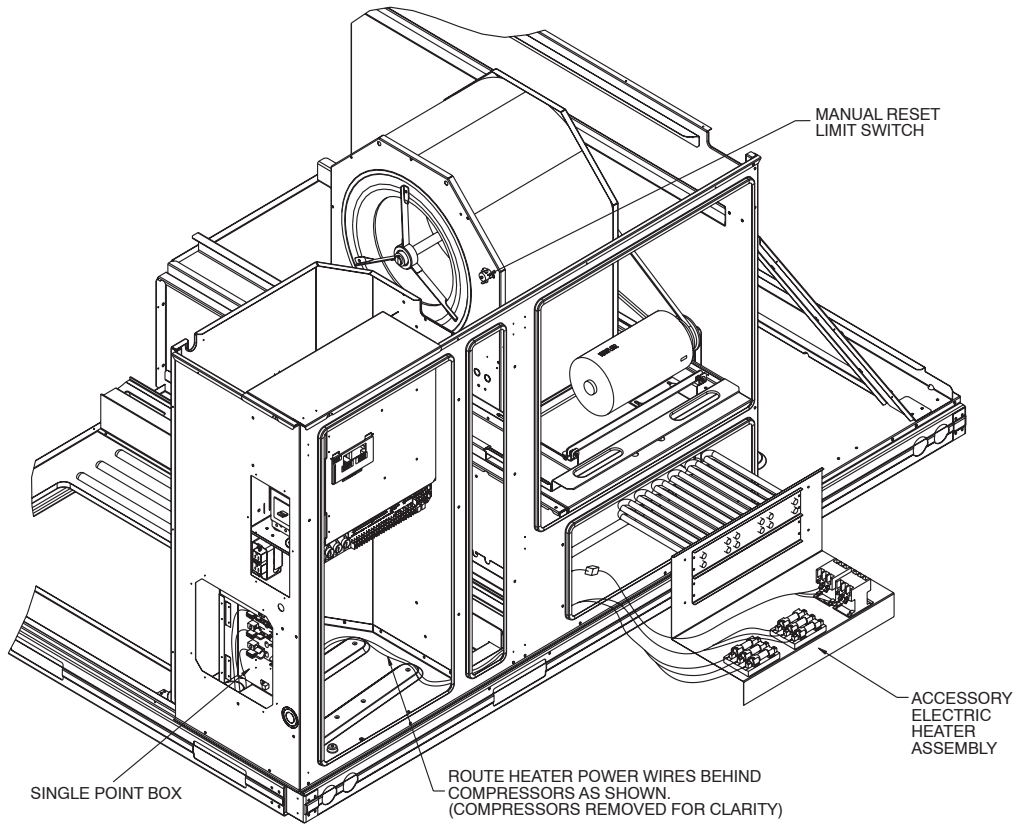


Fig. 3 – Electric Heater Installation

C06184

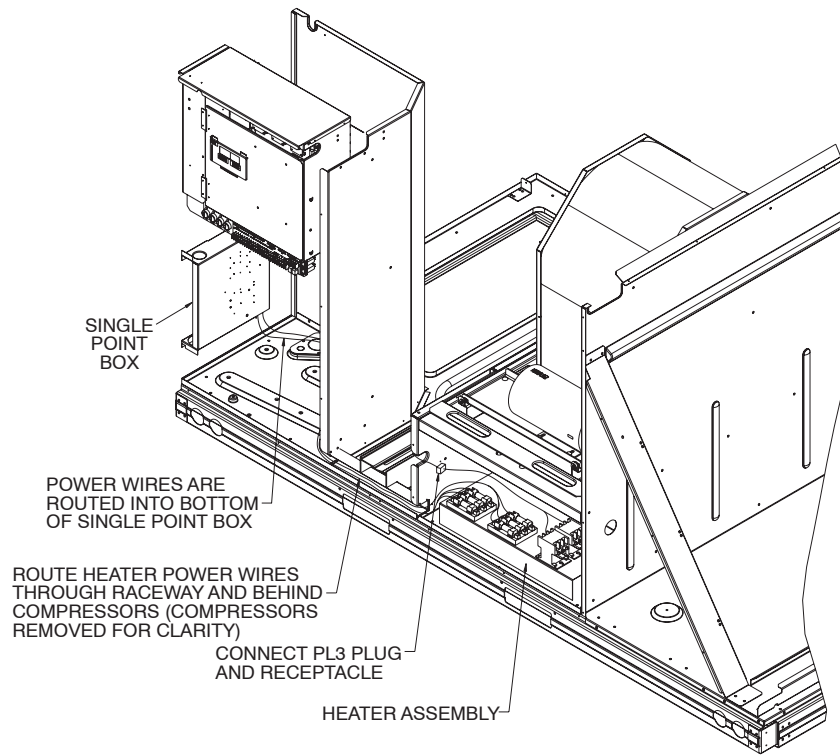


Fig. 4 – Electric Heater Wire Routing

C06185

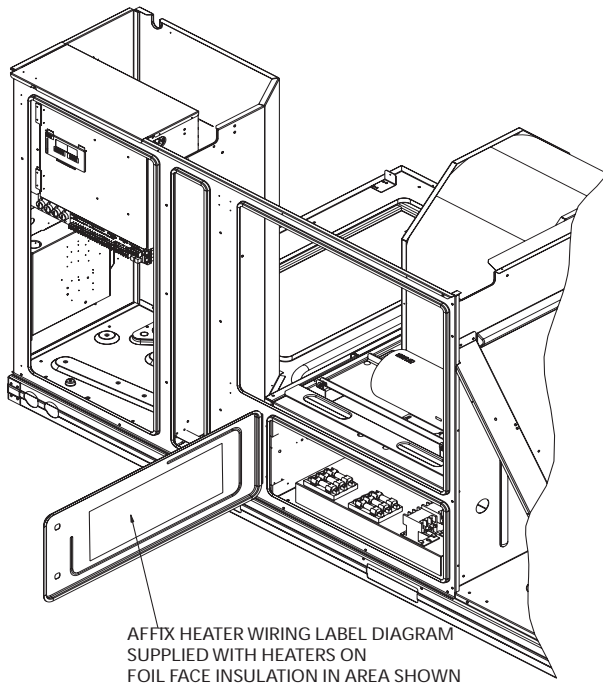


Fig. 5 – Heater Label Location

C06186

Install Single Point Box

See Tables 1 and 2 to determine the correct single point box accessory for the selected heater. The appropriate single point box is determined by the MOCP (maximum overcurrent protection) for the heater and unit combination. Refer to the correct figure for correct installation of the single point box components.

Single point accessories CRSINGLE028A00 and CRSINGLE030A00 are for use on units where the combined MOCP rating is less than 60 amps. These accessories contain

only a terminal block; no fuses are provided. Fuses are not required per the National Electrical Code in these single point accessories since the circuit is below 60 amps. Field-supplied pressure connectors (Kerneys) may be used in place of these single point boxes.

All fuses provided in the single point boxes are rated at 60 amps.

UNIT VOLTAGE	FUSE VOLTAGE RATING	UL CLASS
208/230	250	RK5
460	600	T
575	600	T

To install single point box:

1. Remove single point box access panel located on the end of the unit. Save panel and screws. (See Fig. 3.)
2. Using the screws provided, install the terminal blocks and fuse blocks (if required). (See Fig. 6-12.)
3. If required, using the wires provided, connect the terminal block to the fuse block. (See Fig. 13-22.)
4. Route power wires from the control box and electric heaters into the single point box. Route power wires from the disconnect into the single point box through power entry hole located next to the access panel. Make all wiring connections.
5. If single point box has fuses, install hinged cover using rivets provided. Install magnetic latch in rectangular hole. (See Fig. 7-10 and 12.)
6. Install wiring label on back of single point box access panel or on hinged cover.
7. Replace single point box access panel removed in item 1.

Configuring the *ComfortLink*™ Control

The *ComfortLink* control must be configured for Electric Heat (default is No Heat). In addition, if a single-stage electric heater has been installed, it will be necessary to change the N.HTR configuration (2 is the default setting). These configurations are changed through the Scrolling Marquee Display or a Carrier network device.

NOTE: Consult the Controls and Troubleshooting Guide for in depth instructions on using and configuring the *ComfortLink* control. The following instructions are written for the Scrolling Marquee Display or Navigator™ accessory.

1. The *ComfortLink* control must be configured to use the electric heater accessory. A password may be required to edit the configurations depending on the previous settings configured in the unit. Default password is “1111.”
2. To configure the *ComfortLink* control, use the arrow keys to scroll the red LED on the display to the “Configuration” position and press ENTER.
3. Use the arrow keys to scroll down until the display shows “HEAT.” This is the Heating Configuration Sub Mode. Press ENTER.
4. The *ComfortLink* control will display the Type of Heat (HT.TY) setting. Press ENTER once to select the HT.TY setting for configuration. Press ENTER again. A “0” will begin flashing.
5. Use the arrow keys to change the configuration from “0” (No Heat) to “2” (Electric Heat) and press ENTER. Press ESCAPE to save the setting.
6. For single-stage electric heaters only (10 kW or less), the Number of Heat Stages must be changed from 2 to 1.
 - a. Use the arrow keys to scroll down to the Number of Heat Stages setting (N.HTR). Press ENTER to select the N.HTR setting for configuration.
 - b. Press ENTER again. Configuration value will flash.
 - c. Use the arrow keys to change the configuration from “2” (2 stages of heat) to “1” (one stage of heat) and press ENTER.
 - d. Press ESCAPE to save the configuration change.
7. Configuration of *ComfortLink*™ control is now complete. Pressing ESCAPE multiple times will return the display to the auto-scroll setting.
8. Close and secure all access doors.

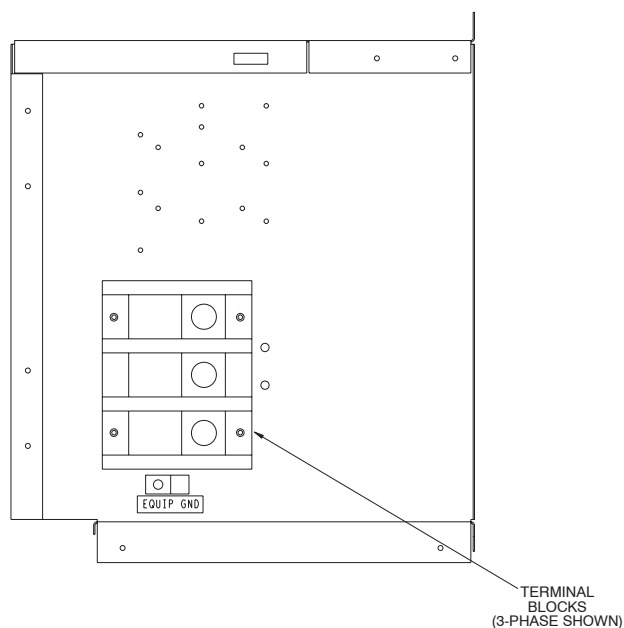
THERMOSTAT CONTROL

For heat mode to operate, the accessory thermostat must be connected to the corresponding W1 and W2 terminals on the field connection terminal board located in the unit control box.

SPACE TEMPERATURE CONTROL

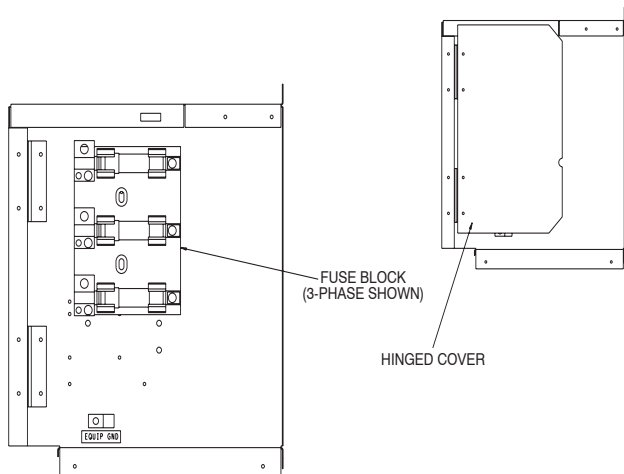
(Direct Wired or CCN)

For heat mode to operate, a jumper must be connected between R and W1 on the field-connection terminal board located in the unit control box.



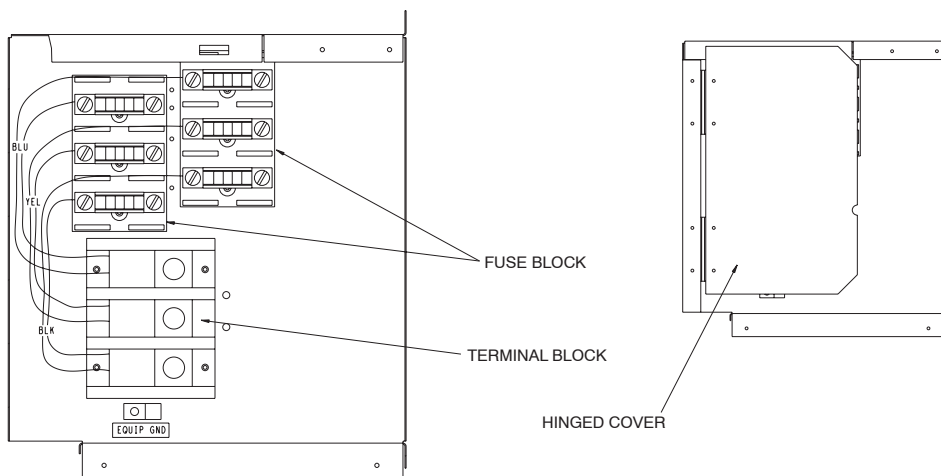
C06187

**Fig. 6 – Single Point Box
CRSINGLE028A00, CRSINGLE030A00**



C06188

**Fig. 7 – Single Point Box
CRSINGLE029A00, CRSINGLE031A00**



C06189

Fig. 8 – Single Point Box CRSINGLE032A00

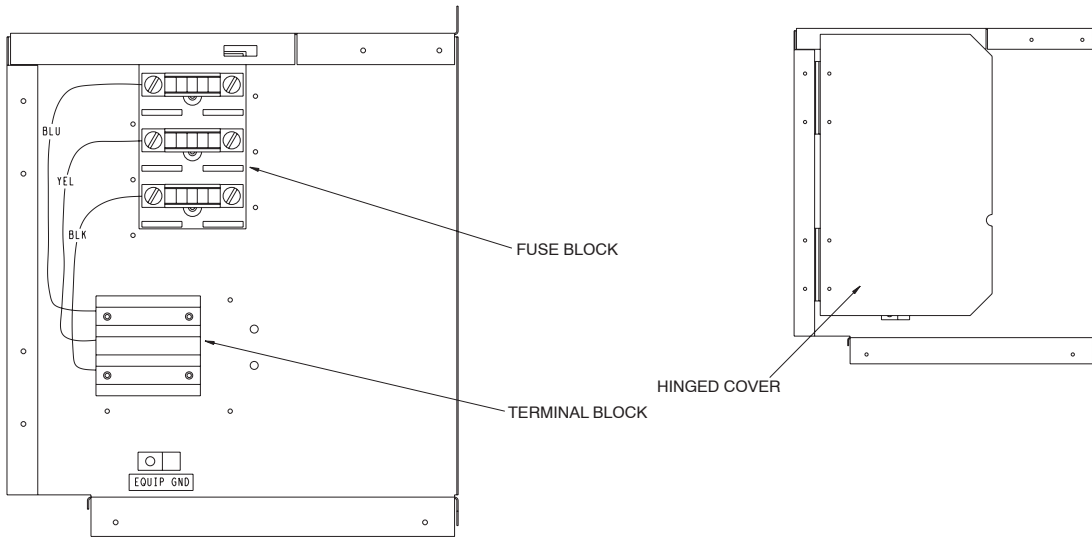


Fig. 9 – Single Point Box CRSINGLE033A00

C06190

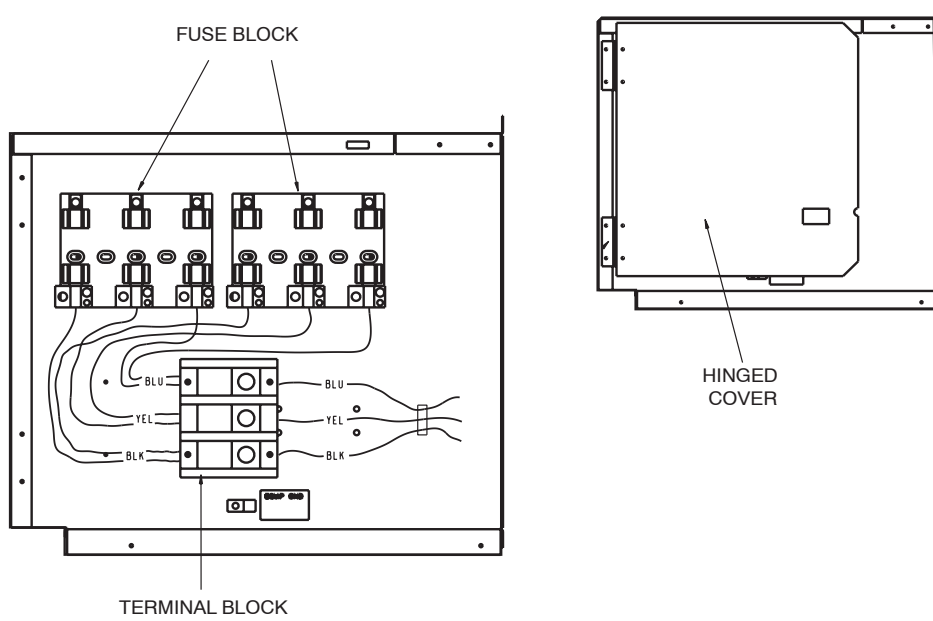


Fig. 10 – Single Point Box CRSINGLE034A00

C06191

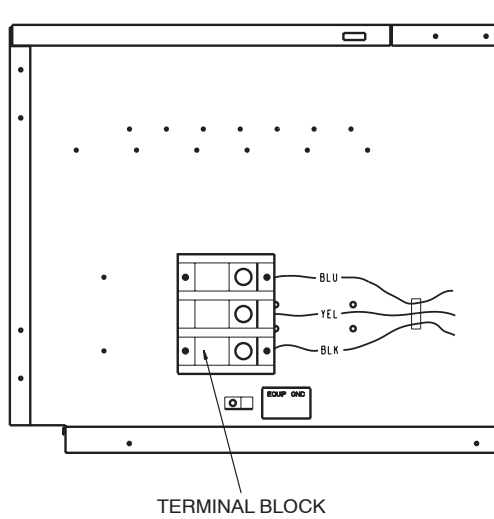


Fig. 11 – Single Point Box CRSINGLE035A00

C06192

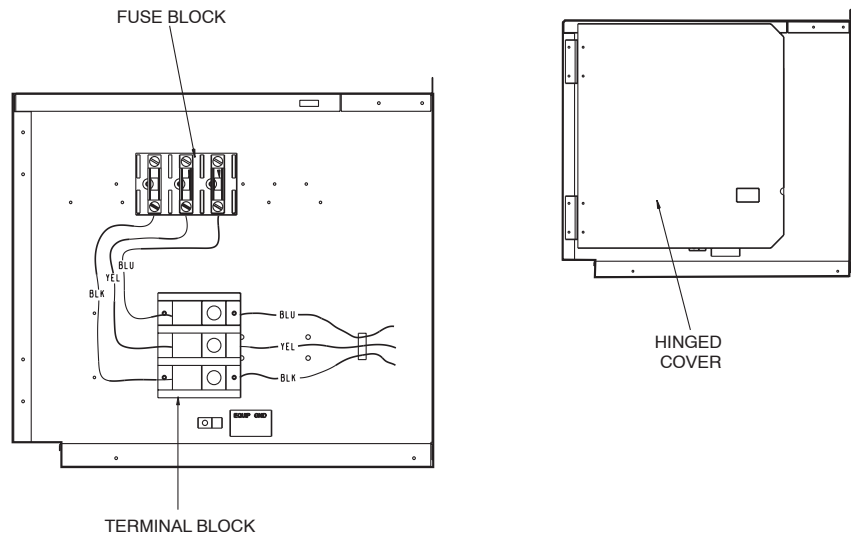


Fig. 12 — Single Point Box CRSINGLE036A00

C06192

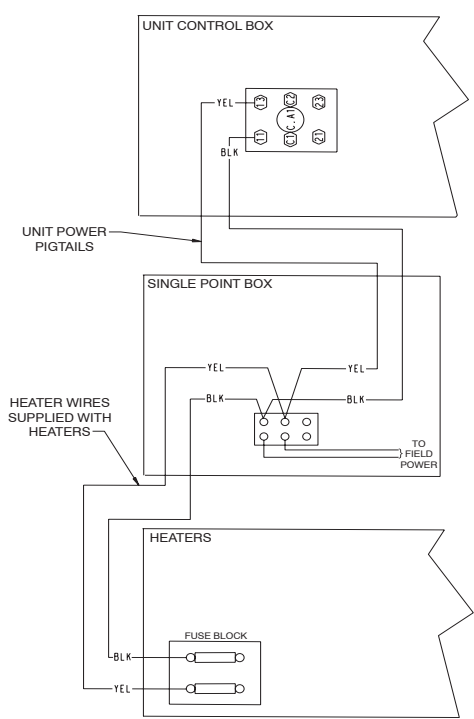


Fig. 13 — Heater Wiring CRSINGLE028A00

C06194

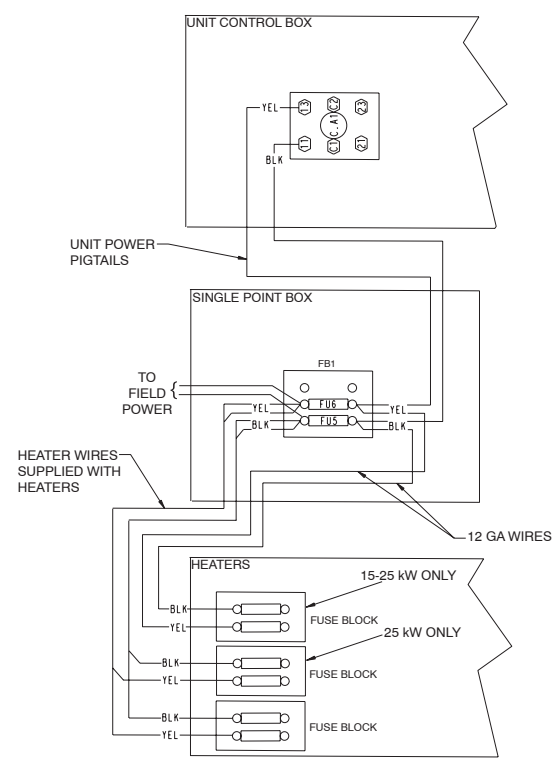


Fig. 14 — Heater Wiring CRSINGLE029A00

C06195

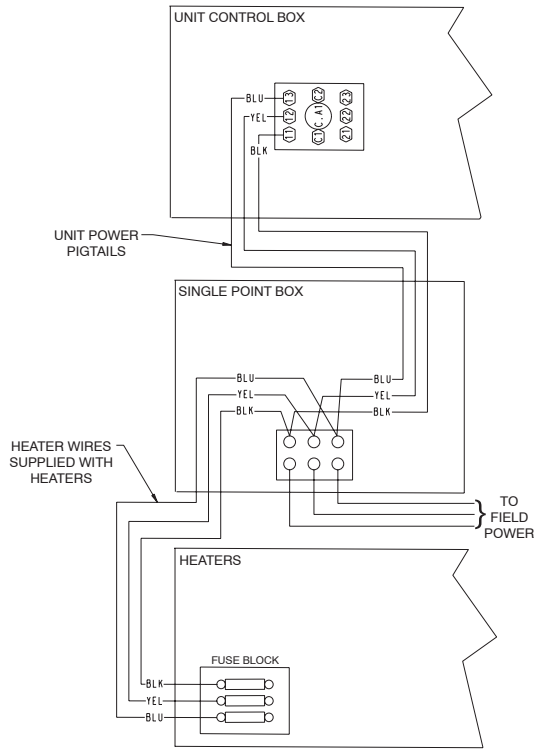


Fig. 15 — Heater Wiring CRSINGLE030A00

C06196

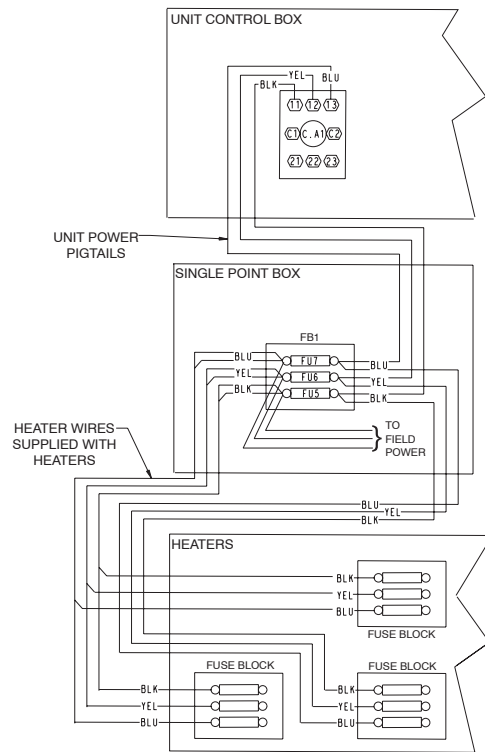


Fig. 17 — Heater Wiring CRSINGLE031A00, 35-50 kW

C06198

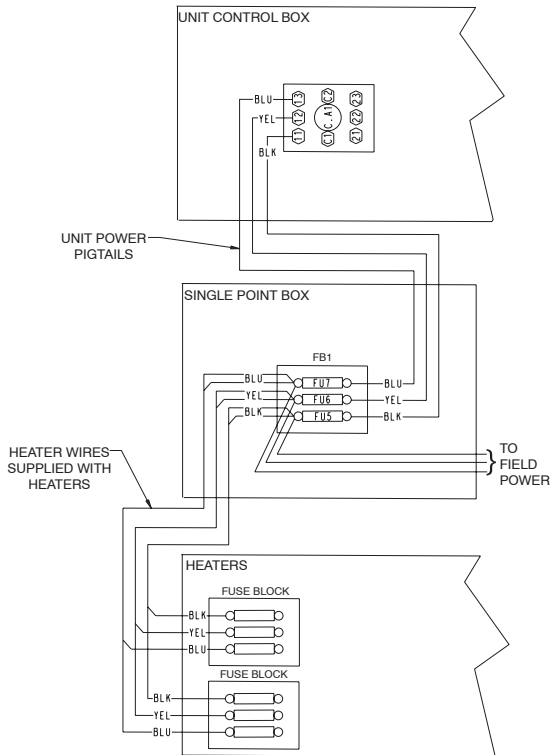


Fig. 16 — Heater Wiring CRSINGLE031A00

C06197

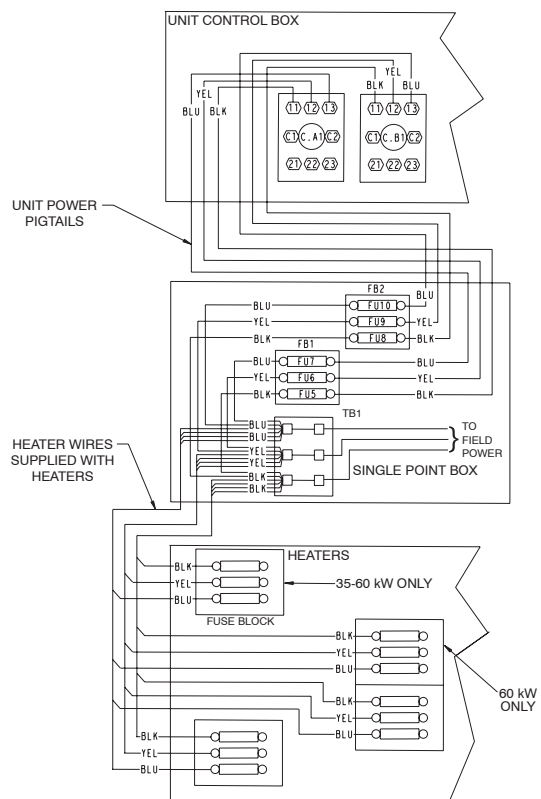


Fig. 18 — Heater Wiring CRSINGLE032A00

C06199

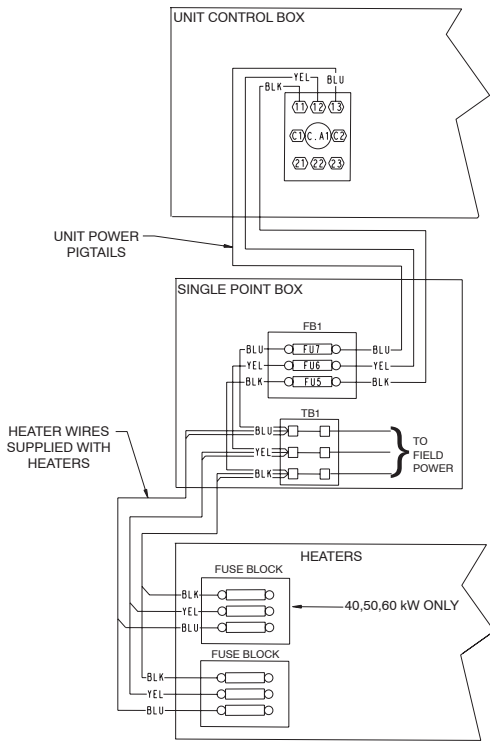


Fig. 19 — Heater Wiring CRSINGLE033A00

C06200

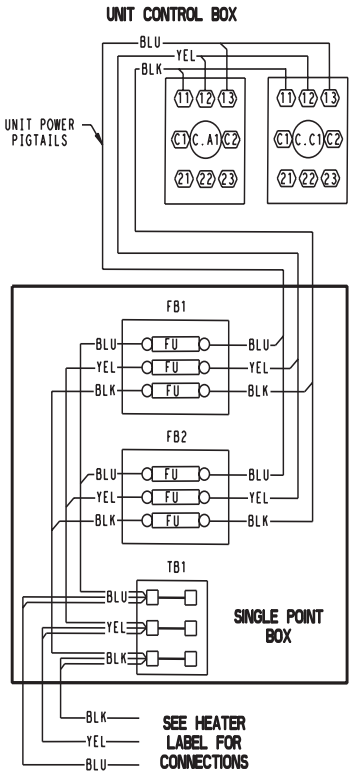


Fig. 20 — Heater Wiring CRSINGLE034A00

C06201

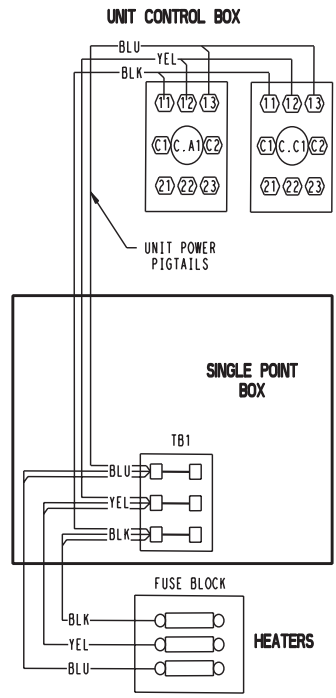


Fig. 21 — Heater Wiring CRSINGLE035A00

C06202

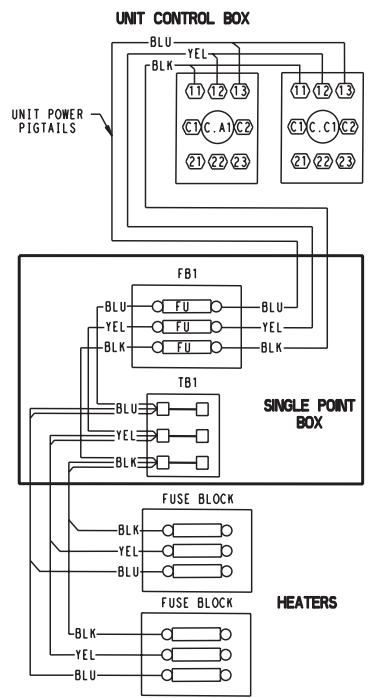


Fig. 22 — Heater Wiring CRSINGLE036A00

C06203

Table 1 — Electrical Data — Units Without Optional Powered Convenience Outlet

UNIT 50PG	NOMINAL POWER SUPPLY VOLTS—PH—HZ	VOLTAGE RANGE		COMPRESSOR (EA)		OFM FLA	IFM FLA	POWER EXHAUST FLA	IFM TYPE	ELECTRIC HEAT			POWER SUPPLY		CRSINGLE PART NO. (Note 3)	DISCONNECT SIZE		WIRING FIG. NO.	
		MIN	MAX	RLA	LRA					CRHEATER PART NO.	FLA	NOMINAL KW*	MCA	MOCP†		FLA	LRA		
03	208/230-1-60	187	253	12.8	60	0.9	4.9	—	—	Low	—	—	—/—	21.8/21.8	30/30	—	21/21	73/73	—
											200A00	10.8/12.5	2.3/ 3.0	21.8/21.8	30/30	028A00	21/21	73/73	13
											201A00	17.3/20.0	3.8/ 5.0	27.8/31.1	30/35	028A00	26/29	73/73	13
											202A00	26.0/30.0	5.6/ 7.5	38.6/43.6	40/45	028A00	36/40	73/73	13
											203A00	34.7/40.0	7.5/10.0	49.5/56.1	50/60	028A00	45/52	73/73	13
											—	—	—/—	21.8/21.8	30/30	—	21/21	73/73	—
										High	200A00	10.8/12.5	2.3/ 3.0	21.8/21.8	30/30	028A00	21/21	73/73	13
											201A00	17.3/20.0	3.8/ 5.0	27.8/31.1	30/35	028A00	26/29	73/73	13
											202A00	26.0/30.0	5.6/ 7.5	38.6/43.6	40/45	028A00	36/40	73/73	13
											203A00	34.7/40.0	7.5/10.0	49.5/56.1	50/60	028A00	45/52	73/73	13
											—	—	—/—	23.2/23.2	30/30	—	23/23	75/75	—
											200A00	10.8/12.5	2.3/ 3.0	23.2/23.5	30/30	028A00	23/23	75/75	13
04	208/230-1-60	187	253	15.4	83	0.9	4.9	—	—	Low	—	—	—/—	25.0/25.0	30/30	—	24/24	96/96	—
											200A00	10.8/12.5	2.3/ 3.0	25.0/25.0	30/30	028A00	24/24	96/96	13
											201A00	17.3/20.0	3.8/ 5.0	27.8/31.1	30/40	028A00	26/29	96/96	13
											202A00	26.0/30.0	5.6/ 7.5	38.6/43.6	40/45	028A00	36/40	96/96	13
											203A00	34.7/40.0	7.5/10.0	49.5/56.1	50/60	028A00	45/52	96/96	13
											204A00	52.0/60.0	11.3/15.0	71.1/81.1	80/90	029A00	65/75	96/96	14
										High	200A00	10.8/12.5	2.3/ 3.0	25.0/25.0	30/30	028A00	24/24	96/96	13
											201A00	17.3/20.0	3.8/ 5.0	27.8/31.1	30/40	028A00	26/29	96/96	13
											202A00	26.0/30.0	5.6/ 7.5	38.6/43.6	40/45	028A00	36/40	96/96	13
											203A00	34.7/40.0	7.5/10.0	49.5/56.1	50/60	028A00	45/52	96/96	13
											204A00	52.0/60.0	11.3/15.0	71.1/81.1	80/90	029A00	65/75	96/96	14
											—	—	—/—	26.4/26.4	40/40	—	26/26	98/98	—
04	208/230-3-60	187	253	11.5	77	0.9	4.9	—	—	Low	207A00	6.3/ 7.2	2.3/ 3.0	20.2/20.2	30/30	030A00	20/20	90/90	15
											208A00	10.0/11.5	3.8/ 5.0	20.2/20.6	30/30	030A00	20/20	90/90	15
											209A00	15.0/17.3	5.6/ 7.5	24.9/27.8	30/30	030A00	23/26	90/90	15
											210A00	20.0/23.1	7.5/10.0	31.1/35.0	35/40	030A00	29/32	90/90	15
											211A00	30.0/34.6	11.3/15.0	43.6/49.4	45/50	030A00	40/45	90/90	15
											—	—	—/—	20.2/20.2	30/30	—	20/20	90/90	—
										High	207A00	6.3/ 7.2	2.3/ 3.0	20.2/20.2	30/30	030A00	20/20	90/90	15
											208A00	10.0/11.5	3.8/ 5.0	20.2/20.6	30/30	030A00	20/20	90/90	15
											209A00	15.0/17.3	5.6/ 7.5	24.9/27.8	30/30	030A00	23/26	90/90	15
											210A00	20.0/23.1	7.5/10.0	31.1/35.0	35/40	030A00	29/32	90/90	15
											211A00	30.0/34.6	11.3/15.0	43.6/49.4	45/50	030A00	40/45	90/90	15
											—	—	—/—	20.2/20.2	30/30	—	20/20	90/90	—

LEGEND

- FLA** — Full Load Amps
- HACR** — Heating, Air Conditioning and Refrigeration
- IFM** — Indoor — Fan Motor
- LRA** — Locked Rotor Amps
- MCA** — Minimum Circuit Amps
- MOCP** — Maximum Overcurrent Protection
- NEC** — National Electrical Code
- OFM** — Outdoor—Fan Motor
- RLA** — Rated Load Amps



Example: Supply voltage is 460-3-60



AB = 224 v
 BC = 231 v
 AC = 226 v
 Average Voltage = $\frac{224 + 231 + 226}{3}$
 = $\frac{681}{3}$
 = 227

Determine maximum deviation from average voltage.

- (AB) 227 - 223 = 3 v
 - (BC) 231 - 227 = 4 v
 - (AC) 227 - 226 = 1 v
- Maximum deviation is 4 v.

Determine percent of voltage imbalance.

% Voltage Imbalance = $100 \times \frac{4}{227}$
 = 1.76%

This amount of phase imbalance is satisfactory as it is below the maximum allowable 2%.

IMPORTANT: If the supply voltage phase imbalance is more than 2%, contact your local electric utility company immediately.

- 3. Single point kits CRSINGLE028A00 and CRSINGLE030A00 are not required if field-supplied pressure connectors are used.

% Voltage Imbalance = $100 \times \frac{\text{max voltage deviation from average voltage}}{\text{average voltage}}$

50PG03-16

Table 1 — Electrical Data — Units Without Optional Powered Convenience Outlet (cont)

UNIT 50PG	NOMINAL POWER SUPPLY VOLTS—PH—HZ	VOLTAGE RANGE		COMPRESSOR (EA)		OFM FLA	IFM FLA	POWER EXHAUST FLA	IFM TYPE	ELECTRIC HEAT			POWER SUPPLY		CRSINGLE PART NO. (NOTES)	DISCONNECT SIZE		WIRING FIG. NO.	
		MIN	MAX	RLA	LRA					CPHEATER PART NO.	FLA	NOMINAL KW*	MCA	MOCP†		FLA	LRA		
													FLA	LRA					
04 (cont)	208/230-3-60 (cont)	187	253	11.5	77	0.9	4.9	1.4	Low	—	—	—/—	21.6/21.6	30/30	—	22/22	92/92	—	
										207A00	6.3/ 7.2	2.3/ 3.0	21.6/21.6	30/30	030A00	22/22	92/92	15	
										208A00	10.0/11.5	3.8/ 5.0	21.6/22.3	30/30	030A00	22/22	92/92	15	
										209A00	15.0/17.3	5.6/ 7.5	26.6/29.5	30/30	030A00	25/27	92/92	15	
										210A00	20.0/23.1	7.5/10.0	32.9/36.7	35/40	030A00	30/34	92/92	15	
										211A00	30.0/34.6	11.3/15.0	45.4/51.2	50/60	030A00	42/47	92/92	15	
										—	—	—/—	21.6/21.6	30/30	—	22/22	92/92	—	
										207A00	6.3/ 7.2	2.3/ 3.0	21.6/21.6	30/30	030A00	22/22	92/92	15	
										208A00	10.0/11.5	3.8/ 5.0	21.6/22.3	30/30	030A00	22/22	92/92	15	
										209A00	15.0/17.3	5.6/ 7.5	26.6/29.5	30/30	030A00	25/27	92/92	15	
										210A00	20.0/23.1	7.5/10.0	32.9/36.7	35/40	030A00	30/34	92/92	15	
										211A00	30.0/34.6	11.3/15.0	45.4/51.2	50/60	030A00	42/47	92/92	15	
	04 (cont)	460-3-60	414	506	5.1	35	0.5	2.1	—	Low	—	—	—	9.0	15	—	9	42	—
											214A00	3.5	3.0	9.0	15	030A00	9	42	15
											215A00	5.8	5.0	9.8	15	030A00	9	42	15
											216A00	8.7	7.5	13.5	15	030A00	12	42	15
											217A00	11.5	10.0	17.1	20	030A00	16	42	15
											218A00	17.3	15.0	24.3	25	030A00	22	42	15
											—	—	—	9.0	15	—	9	42	—
											214A00	3.5	3.0	9.0	15	030A00	9	42	15
											215A00	5.8	5.0	9.8	15	030A00	9	42	15
											216A00	8.7	7.5	13.5	15	030A00	12	42	15
											217A00	11.5	10.0	17.1	20	030A00	16	42	15
											218A00	17.3	15.0	24.3	25	030A00	22	42	15
04 (cont)		460-3-60	414	506	5.1	35	0.5	2.1	—	High	—	—	—	9.0	15	—	9	42	—
											214A00	3.5	3.0	9.0	15	030A00	9	42	15
											215A00	5.8	5.0	9.8	15	030A00	9	42	15
											216A00	8.7	7.5	13.5	15	030A00	12	42	15
											217A00	11.5	10.0	17.1	20	030A00	16	42	15
											218A00	17.3	15.0	24.3	25	030A00	22	42	15
											—	—	—	9.6	15	—	10	43	—
											214A00	3.5	3.0	9.6	15	030A00	10	43	15
											215A00	5.8	5.0	10.6	15	030A00	10	43	15
											216A00	8.7	7.5	14.2	15	030A00	13	43	15
											217A00	11.5	10.0	17.8	20	030A00	16	43	15
											218A00	17.3	15.0	25.0	30	030A00	23	43	15
04 (cont)	575-3-60	518	632	4.3	31.0	0.4	2.2	—	Low	—	—	—	8.0	15	—	8	37	—	
										221A00	9.2	10.0	14.1	15	030A00	13	37	15	
										222A00	13.9	15.0	20.0	25	030A00	18	37	15	
										—	—	—	8.0	15	—	8	37	—	
										221A00	9.2	10.0	14.1	15	030A00	13	37	15	
										222A00	13.9	15.0	20.0	25	030A00	18	37	15	
										—	—	—	9.4	15	—	10	39	—	
										221A00	9.2	10.0	15.9	20	030A00	15	39	15	
										222A00	13.9	15.0	21.8	25	030A00	20	39	15	
										—	—	—	9.4	15	—	10	39	—	
										221A00	9.2	10.0	15.9	20	030A00	15	39	15	
										222A00	13.9	15.0	21.8	25	030A00	20	39	15	
	05	208/230-1-60	187	253	20.5	109	0.9	4.9	—	Low	—	—	—/—	31.4/ 31.4	50/ 50	—	30/30	122/122	—
											201A00	17.3/20.0	3.8/ 5.0	31.4/ 31.4	50/ 50	028A00	30/30	122/122	13
											202A00	26.0/30.0	5.6/ 7.5	38.6/ 43.6	50/ 50	028A00	36/40	122/122	13
											203A00	34.7/40.0	7.5/10.0	49.5/ 56.1	50/ 60	028A00	45/52	122/122	13
											204A00	52.0/60.0	11.3/15.0	71.1/ 81.1	80/ 90	029A00	65/76	122/122	14
											205A00	69.3/80.0	15.0/20.0	92.8/106.1	100/110	029A00	85/98	122/122	14
											—	—	—/—	33.5/ 33.5	50/ 50	—	33/ 33	148/148	—
											201A00	17.3/20.0	3.8/ 5.0	33.5/ 33.8	50/ 50	028A00	33/ 33	148/148	13
											202A00	26.0/30.0	5.6/ 7.5	41.2/ 46.3	50/ 50	028A00	38/ 43	148/148	13
											203A00	34.7/40.0	7.5/10.0	52.1/ 58.8	60/ 60	028A00	48/ 54	148/148	13
											204A00	52.0/60.0	11.3/15.0	73.7/ 83.8	80/ 90	029A00	68/ 77	148/148	14
											205A00	69.3/80.0	15.0/20.0	95.4/108.8	100/110	029A00	88/100	148/148	14
05		208/230-1-60	187	253	20.5	109	0.9	4.9	—	High	—	—	—	32.8/ 32.8	50/ 50	—	32/32	124/124	—
											201A00	17.3/20.0	3.8/ 5.0	32.8/ 32.9	50/ 50	028A00	32/32	124/124	13
											202A00	26.0/30.0	5.6/ 7.5	40.4/ 45.4	50/ 50	028A00	37/42	124/124	13
											203A00	34.7/40.0	7.5/10.0	51.2/ 57.9	60/ 60	028A00	47/53	124/124	13
											204A00	52.0/60.0	11.3/15.0	72.9/ 82.9	80/ 90	029A00	67/76	124/124	14
											205A00	69.3/80.0	15.0/20.0	94.5/107.9	100/110	029A00	87/99	124/124	14
											—	—	—/—	34.9/ 34.9	50/ 50	—	34/ 34	150/150	—
											201A00	17.3/20.0	3.8/ 5.0	34.9/ 35.5	50/ 50	028A00	34/ 34	150/150	13
											202A00	26.0/30.0	5.6/ 7.5	43.0/ 48.0	50/ 50	028A00	40/ 44	150/150	13
											203A00	34.7/40.0	7.5/10.0	53.8/ 60.5	60/ 70	028A00	50/ 56	150/150	13
											204A00	52.0/60.0	11.3/15.0	75.5/ 85.5	80/ 90	029A00	69/ 79	150/150	14
											205A00	69.3/80.0	15.0/20.0	97.2/110.5	100/125	029A00	89/102	150/150	14
05	208/230-3-60	187	253	14.6	91	0.9	4.9	—	Low	—	—	—	24.0/24.0	30/30	—	23/23	104/104	—	
										208A00	10.0/11.5	3.8/ 5.0	24.0/24.0	30/30	030A00	23/23	104/104	15	
										209A00	15.0/17.3	5.6/ 7.5	24.9/27.8	30/30	030A00	23/26	104/104	15	
										210A00	20.0/23.1	7.5/10.0	31.1/35.0	35/40	030A00	29/32	104/104	15	
										211A00	30.0/34.6	11.3/15.0	43.6/49.4	45/50	030A00	40/45	104/104	15	
										212A00	40.0/46.2	15.0/20.0	56.2/63.9	60/70	031A00	52/59	104/104	16	
										—	—	—/—	24.3/24.3	30/30	—	24/24	123/123	—	
										208A00	10.0/11.5	3.8/ 5.0	24.3/24.3	30/30	030A00	24/24	123/123	15	
										209A00	15.0/17.3	5.6/ 7.5	25.3/28.2	30/30	030A00	24/26	123/123	15	
										210A00	20.0/23.1	7.5/10.0	31.5/35.4	35/40	030A00	29/33	123/123	15	
										211A00	30.0/34.6	11.3/15.0	44.0/49.8	45/50	030A00	41/46	123/123	15	
										212A00	40.0/46.2	15.0/20.0	56.5/64.2	60/70	031A00	52/59	123/123	16	

50PG03-16

Table 1 — Electrical Data — Units Without Optional Powered Convenience Outlet (cont)

UNIT 50PG	NOMINAL POWER SUPPLY VOLTS—PH—HZ	VOLTAGE RANGE		COMPRESSOR (EA)		OFM FLA	IFM FLA	POWER EXHAUST FLA	IFM TYPE	ELECTRIC HEAT			POWER SUPPLY		CRSINGLE PART NO. (NOTE3)	DISCONNECT SIZE		WIRING FIG. NO.
		MIN	MAX	RLA	LRA					CRHEATER PART NO.	FLA	NOMINAL KW*	MCA	MOCP†		FLA	LRA	
05 (cont)	208/230-3-60 (cont)	187	253	14.6	91	0.9	4.9	1.4	Low	—	—	—/—	25.4/25.4	30/30	—	25/25	106/106	—
										208A00	10.0/11.5	3.8/ 5.0	25.4/25.4	30/30	030A00	25/25	106/106	15
										209A00	15.0/17.3	5.6/ 7.5	26.6/29.5	30/30	030A00	25/27	106/106	15
										210A00	20.0/23.1	7.5/10.0	32.9/36.7	40/40	030A00	30/34	106/106	15
										211A00	30.0/34.6	11.3/15.0	45.4/51.2	50/60	030A00	42/47	106/106	15
										212A00	40.0/46.2	15.0/20.0	57.9/65.6	60/70	031A00	53/60	106/106	16
										—	—	—/—	25.7/25.7	30/30	—	25/25	125/125	—
										208A00	10.0/11.5	3.8/ 5.0	25.7/25.7	30/30	030A00	25/25	125/125	15
										209A00	15.0/17.3	5.6/ 7.5	27.0/29.9	30/30	030A00	25/28	125/125	15
										210A00	20.0/23.1	7.5/10.0	33.3/37.1	40/40	030A00	31/34	125/125	15
										211A00	30.0/34.6	11.3/15.0	45.8/51.6	50/60	030A00	42/47	125/125	15
										212A00	40.0/46.2	15.0/20.0	58.3/66.0	60/70	031A00	54/61	125/125	16
	460-3-60	414	506	7.1	46	0.5	2.1	—	Low	—	—	—	11.4	15	—	11	53	—
										215A00	5.8	5.0	11.4	15	030A00	11	53	15
										216A00	8.7	7.5	13.5	15	030A00	12	53	15
										217A00	11.5	10.0	17.1	20	030A00	16	53	15
										218A00	17.3	15.0	24.3	25	030A00	22	53	15
										219A00	23.1	20.0	31.5	35	030A00	29	53	15
										—	—	—	11.9	15	—	12	62	—
										215A00	5.8	5.0	11.9	15	030A00	12	62	15
										216A00	8.7	7.5	14.1	15	030A00	13	62	15
										217A00	11.5	10.0	17.7	20	030A00	16	62	15
										218A00	17.3	15.0	24.9	25	030A00	23	62	15
										219A00	23.1	20.0	32.1	35	030A00	30	62	15
	575-3-60	518	632	5.0	34.0	0.4	2.0	0.6	Low	—	—	—	12.0	15	—	12	54	—
										215A00	5.8	5.0	12.0	15	030A00	12	54	15
										216A00	8.7	7.5	14.2	15	030A00	13	54	15
										217A00	11.5	10.0	17.8	20	030A00	16	54	15
										218A00	17.3	15.0	25.0	30	030A00	23	54	15
										219A00	23.1	20.0	32.2	35	030A00	30	54	15
										—	—	—	12.5	15	—	12	63	—
										215A00	5.8	5.0	12.5	15	030A00	12	63	15
										216A00	8.7	7.5	14.8	15	030A00	14	63	15
										217A00	11.5	10.0	18.4	20	030A00	17	63	15
										218A00	17.3	15.0	25.7	30	030A00	24	63	15
										219A00	23.1	20.0	32.9	35	030A00	30	63	15
	575-3-60	518	632	5.0	34.0	0.4	2.0	1.4	Low	—	—	—	9.0	15	—	9	40	—
										221A00	9.2	10.0	14.1	15	030A00	13	40	15
										222A00	13.9	15.0	20.0	25	030A00	18	40	15
										223A00	18.5	20.0	25.8	30	030A00	24	40	15
										—	—	—	8.9	15	—	9	46	—
										221A00	9.2	10.0	14.0	15	030A00	13	46	15
										222A00	13.9	15.0	19.9	20	030A00	18	46	15
										223A00	18.5	20.0	25.6	30	030A00	24	46	15
										—	—	—	10.4	15	—	10	42	—
										221A00	9.2	10.0	15.9	20	030A00	15	42	15
										222A00	13.9	15.0	21.8	25	030A00	20	42	15
										223A00	18.5	20.0	27.5	30	030A00	25	42	15
575-3-60	518	632	5.0	34.0	0.4	2.0	1.4	High	—	—	—	10.3	15	—	10	48	—	
									221A00	9.2	10.0	15.8	20	030A00	14	48	15	
									222A00	13.9	15.0	21.6	25	030A00	20	48	15	
223A00	18.5	20.0	27.4	30	030A00	25	48	15										

LEGEND

- FLA** — Full Load Amps
- HACR** — Heating, Air Conditioning and Refrigeration
- IFM** — Indoor — Fan Motor
- LRA** — Locked Rotor Amps
- MCA** — Minimum Circuit Amps
- MOCP** — Maximum Overcurrent Protection
- NEC** — National Electrical Code
- OFM** — Outdoor—Fan Motor
- RLA** — Rated Load Amps



Example: Supply voltage is 460-3-60



AB = 224 v
 BC = 231 v
 AC = 226 v
 Average Voltage = $\frac{224 + 231 + 226}{3}$
 = $\frac{681}{3}$
 = 227

Determine maximum deviation from average voltage.

- (AB) 227 - 223 = 3 v
- (BC) 231 - 227 = 4 v
- (AC) 227 - 226 = 1 v
- Maximum deviation is 4 v.
- Determine percent of voltage imbalance.

% Voltage Imbalance = $100 \times \frac{4}{227}$
 = 1.76%

This amount of phase imbalance is satisfactory as it is below the maximum allowable 2%.

IMPORTANT: If the supply voltage phase imbalance is more than 2%, contact your local electric utility company immediately.

- 3. Single point kits CRSINGLE028A00 and CRSINGLE030A00 are not required if field-supplied pressure connectors are used.

* Heater capacity (kW) is based on heater voltage of 208 v, 240 v, or 480 v. If power distribution voltage to unit varies from rated heater voltage, heater kW will vary accordingly.
 † Fuse or HACR circuit breaker.

NOTES:

1. In compliance with NEC requirements for multimotor and combination load equipment (refer to NEC Articles 430 and 440), the overcurrent protective device for the unit shall be fuse or HACR breaker.
2. **Unbalanced 3-Phase Supply Voltage**
 Never operate a motor where a phase imbalance in supply voltage is greater than 2%. Use the following formula to determine the percentage of voltage imbalance.

% Voltage Imbalance = $100 \times \frac{\text{max voltage deviation from average voltage}}{\text{average voltage}}$

50PG03-16

Table 1 — Electrical Data — Units Without Optional Powered Convenience Outlet (cont)

UNIT 50PG	NOMINAL POWER SUPPLY VOLTS-PH-HZ	VOLTAGE RANGE		COMPRESSOR (EA)		OFM	IFM	POWER EXHAUST FLA	IFM TYPE	ELECTRIC HEAT			POWER SUPPLY		PR SINGLE PART NO. (NOTE3)	DISCONNECT SIZE		WIRING FIG. NO.
		MIN	MAX	RLA	LRA	FLA	FLA			FLA	NOMINAL KW*	MCA	MOCPT	FLA		LRA		
06	208/230-1-60	187	253	26.9	145	1.5	4.9	Low	—	—	—/—	40.1/ 40.1	60/ 60	—	38 /38	159/159	—	
									201A00	17.3/ 20.0	3.8/ 5.0	40.1/ 40.1	60/ 60	028A00	38/ 38	159/159	13	
									202A00	26.0/ 30.0	5.6/ 7.5	40.1/ 43.6	60/ 60	028A00	38/ 40	159/159	13	
									203A00	34.7/ 40.0	7.5/10.0	49.5/ 56.1	50/ 60	028A00	45/ 52	159/159	13	
									204A00	52.0/ 60.0	11.3/15.0	71.1/ 81.1	80/ 90	029A00	65/ 75	159/159	14	
									205A00	69.3/ 80.0	15.0/20.0	92.8/106.1	100/110	029A00	85/ 98	159/159	14	
									206A00	86.7/100.0	18.8/25.0	114.4/131.1	125/150	029A00	105/121	159/159	14	
									—	—	—/—	42.2/ 42.2	60/ 60	—	41/ 41	185/185	—	
									201A00	17.3/ 20.0	3.8/ 5.0	42.2/ 42.2	60/ 60	028A00	41/ 41	185/185	13	
									202A00	26.0/ 30.0	5.6/ 7.5	42.2/ 46.3	60/ 60	028A00	41/ 43	185/185	13	
									203A00	34.7/ 40.0	7.5/10.0	52.1/ 58.8	60/ 60	028A00	48/ 54	185/185	13	
									204A00	52.0/ 60.0	11.3/15.0	73.7/ 83.8	80/ 90	029A00	68/ 77	185/185	14	
							205A00	69.3/ 80.0	15.0/20.0	95.4/108.8	100/110	029A00	88/100	185/185	14			
							206A00	86.7/100.0	18.8/25.0	117.1/133.8	125/150	029A00	108/123	185/185	14			
							—	—	—/—	41.5/ 41.5	60/ 60	—	40/ 40	161/161	—			
							201A00	17.3/ 20.0	3.8/ 5.0	41.5/ 41.5	60/ 60	028A00	40/ 40	161/161	13			
							202A00	26.0/ 30.0	5.6/ 7.5	41.5/ 45.4	60/ 60	028A00	40/ 42	161/161	13			
							203A00	34.7/ 40.0	7.5/10.0	51.2/ 57.9	60/ 60	028A00	47/ 53	161/161	13			
							204A00	52.0/ 60.0	11.3/15.0	72.9/ 82.9	80/ 90	029A00	67/ 76	161/161	14			
							205A00	69.3/ 80.0	15.0/20.0	94.5/107.9	100/110	029A00	89/ 99	161/161	14			
							206A00	86.7/100.0	18.8/25.0	116.2/132.9	125/150	029A00	107/122	161/161	14			
							—	—	—/—	43.6/ 43.6	60/ 60	—	42/ 42	187/187	—			
							201A00	17.3/ 20.0	3.8/ 5.0	43.6/ 43.6	60/ 60	028A00	42/ 42	187/187	13			
							202A00	26.0/ 30.0	5.6/ 7.5	43.6/ 48.0	60/ 60	028A00	42/ 44	187/187	13			
	203A00	34.7/ 40.0	7.5/10.0	53.8/ 60.5	60/ 70	028A00	50/ 56	187/187	13									
	204A00	52.0/ 60.0	11.3/15.0	75.5/ 85.5	80/ 90	029A00	69/ 79	187/187	14									
	205A00	69.3/ 80.0	15.0/20.0	97.2/110.5	100/125	029A00	89/102	187/187	14									
	206A00	86.7/100.0	18.8/25.0	118.8/135.5	125/150	029A00	109/125	187/187	14									
	—	—	—/—	28.7/28.7	45/45	—	28/28	156/156	—									
	208A00	10.0/11.5	3.8/ 5.0	28.7/28.7	45/45	030A00	28/28	156/156	15									
	209A00	15.0/17.3	5.6/ 7.5	28.7/28.7	45/45	030A00	28/28	156/156	15									
	210A00	20.0/23.1	7.5/10.0	31.5/35.4	45/45	030A00	29/33	156/156	15									
	211A00	30.0/34.6	11.3/15.0	44.0/49.8	45/50	030A00	41/46	156/156	15									
	212A00	40.0/46.2	15.0/20.0	56.5/64.2	60/70	031A00	52/59	156/156	16									
	213A00	50.0/57.7	18.8/25.0	69.0/78.7	70/80	031A00	64/72	156/156	16									
	—	—	—/—	28.7/28.7	45/45	—	28/28	156/156	—									
	208A00	10.0/11.5	3.8/ 5.0	28.7/28.7	45/45	030A00	28/28	156/156	15									
	209A00	15.0/17.3	5.6/ 7.5	28.7/28.7	45/45	030A00	28/28	156/156	15									
	210A00	20.0/23.1	7.5/10.0	31.5/35.4	45/45	030A00	29/33	156/156	15									
	211A00	30.0/34.6	11.3/15.0	44.0/49.8	45/50	030A00	41/46	156/156	15									
	212A00	40.0/46.2	15.0/20.0	56.5/64.2	60/70	031A00	52/59	156/156	16									
	213A00	50.0/57.7	18.8/25.0	69.0/78.7	70/80	031A00	64/72	156/156	16									
	—	—	—/—	30.1/30.1	45/45	—	30/30	158/158	—									
	208A00	10.0/11.5	3.8/ 5.0	30.1/30.1	45/45	030A00	30/30	158/158	15									
	209A00	15.0/17.3	5.6/ 7.5	30.1/30.1	45/45	030A00	30/30	158/158	15									
	210A00	20.0/23.1	7.5/10.0	33.3/37.1	45/45	030A00	31/34	158/158	15									
	211A00	30.0/34.6	11.3/15.0	45.8/51.6	50/60	030A00	42/47	158/158	15									
	212A00	40.0/46.2	15.0/20.0	58.3/66.0	60/70	031A00	54/61	158/158	16									
213A00	50.0/57.7	18.8/25.0	70.8/80.4	80/90	031A00	65/74	158/158	16										
—	—	—/—	13.0	20	—	13	67	—										
215A00	5.8	5.0	13.0	20	030A00	13	67	15										
216A00	8.7	7.5	14.1	20	030A00	13	67	15										
217A00	11.5	10.0	17.7	20	030A00	16	67	15										
218A00	17.3	15.0	24.9	25	030A00	23	67	15										
219A00	23.1	20.0	32.1	35	030A00	30	67	15										
220A00	28.9	25.0	39.3	40	030A00	36	67	15										
—	—	—/—	13.0	20	—	13	67	—										
215A00	5.8	5.0	13.0	20	030A00	13	67	15										
216A00	8.7	7.5	14.1	20	030A00	13	67	15										
217A00	11.5	10.0	17.7	20	030A00	16	67	15										
218A00	17.3	15.0	24.9	25	030A00	23	67	15										
219A00	23.1	20.0	32.1	35	030A00	30	67	15										
220A00	28.9	25.0	39.3	40	030A00	36	67	15										
—	—	—/—	13.6	20	—	13	68	—										
215A00	5.8	5.0	13.6	20	030A00	13	68	15										
216A00	8.7	7.5	14.8	20	030A00	14	68	15										
217A00	11.5	10.0	18.4	20	030A00	17	68	15										
218A00	17.3	15.0	25.7	30	030A00	24	68	15										
219A00	23.1	20.0	32.9	35	030A00	30	68	15										
220A00	28.9	25.0	40.1	45	030A00	37	68	15										
—	—	—/—	13.6	20	—	13	68	—										
215A00	5.8	5.0	13.6	20	030A00	13	68	15										
216A00	8.7	7.5	14.8	20	030A00	14	68	15										
217A00	11.5	10.0	18.4	20	030A00	17	68	15										
218A00	17.3	15.0	25.7	30	030A00	24	68	15										
219A00	23.1	20.0	32.9	35	030A00	30	68	15										
220A00	28.9	25.0	40.1	45	030A00	37	68	15										

50PG03-16

Table 1 — Electrical Data — Units Without Optional Powered Convenience Outlet (cont)

UNIT 50PG	NOMINAL POWER SUPPLY VOLTS-PH-HZ	VOLTAGE RANGE		COMPRESSOR (EA)		OFM FLA	IFM FLA	POWER EXHAUST FLA	IFM TYPE	ELECTRIC HEAT			POWER SUPPLY		CRSINGLE PART NO. (NOTE3)	DISCONNECT SIZE		WIRING FIG. NO.
		MIN	MAX	RLA	LRA					CRHEATER PART NO.	FLA	NOMINAL KW*	MCA	MOCP†		FLA	LRA	
06 (cont)	575-3-60	518	632	6.1	40	0.8	2.0	—	Low and High	—	—	—	10.4	15	—	10	53	—
										221A00	9.2	10.0	14.0	15	030A00	13	53	15
										222A00	13.9	15.0	20.1	20	030A00	18	53	15
										223A00	18.5	20.0	25.6	30	030A00	24	53	15
										254A00	23.1	25.0	31.4	30	030A00	29	53	15
										—	—	—	11.7	15	—	12	54	—
										221A00	9.2	10.0	15.8	20	030A00	15	54	15
										222A00	13.9	15.0	21.6	25	030A00	20	54	15
										223A00	18.5	20.0	27.3	30	030A00	25	54	15
										254A00	23.1	25.0	33.1	30	030A00	30	54	15
07	208/230-3-60	187	253	20.5	149	1.5	5.2	—	Low	—	—	—	32.3/32.3	50/50	—	31/31	182/182	—
										208A00	10.0/11.5	3.8/ 5.0	32.3/32.3	50/50	030A00	31/31	182/182	15
										209A00	15.0/17.3	5.6/ 7.5	32.3/32.3	50/50	030A00	31/31	182/182	15
										210A00	20.0/23.1	7.5/10.0	32.3/35.4	50/50	030A00	31/33	182/182	15
										211A00	30.0/34.6	11.3/15.0	44.0/49.8	50/50	030A00	41/46	182/182	15
										212A00	40.0/46.2	15.0/20.0	56.5/64.2	60/70	031A00	52/59	182/182	16
										213A00	50.0/57.7	18.8/25.0	69.0/78.7	70/80	031A00	64/72	182/182	16
										—	—	—	34.6/34.6	50/50	—	34/34	208/208	—
										208A00	10.0/11.5	3.8/ 5.0	34.6/34.6	50/50	030A00	34/34	208/208	15
										209A00	15.0/17.3	5.6/ 7.5	34.6/34.6	50/50	030A00	34/34	208/208	15
										210A00	20.0/23.1	7.5/10.0	34.6/38.2	50/50	030A00	34/35	208/208	15
										211A00	30.0/34.6	11.3/15.0	46.9/52.7	50/60	030A00	43/48	208/208	15
							212A00	40.0/46.2	15.0/20.0	59.4/67.1	60/70	031A00	55/62	208/208	16			
							213A00	50.0/57.7	18.8/25.0	71.9/81.5	80/90	031A00	66/75	208/208	16			
							—	—	—	33.7/33.7	50/50	—	33/33	184/184	—			
							208A00	10.0/11.5	3.8/ 5.0	33.7/33.7	50/50	030A00	33/33	184/184	15			
							209A00	15.0/17.3	5.6/ 7.5	33.7/33.7	50/50	030A00	33/33	184/184	15			
							210A00	20.0/23.1	7.5/10.0	33.7/33.1	50/50	030A00	33/34	184/184	15			
							211A00	30.0/34.6	11.3/15.0	45.8/51.5	50/60	030A00	42/47	184/184	15			
							212A00	40.0/46.2	15.0/20.0	58.3/66.0	60/70	031A00	54/61	184/184	16			
							213A00	50.0/57.7	18.8/25.0	70.8/80.4	80/90	031A00	65/74	184/184	16			
							—	—	—	36/36	50/50	—	36/36	210/210	—			
							208A00	10.0/11.5	3.8/ 5.0	36.0/36.0	50/50	030A00	36/36	210/210	15			
							209A00	15.0/17.3	5.6/ 7.5	36.0/36.0	50/50	030A00	36/36	210/210	15			
							210A00	20.0/23.1	7.5/10.0	36.1/40.0	50/50	030A00	36/37	210/210	15			
							211A00	30.0/34.6	11.3/15.0	48.6/54.4	50/60	030A00	45/50	210/210	15			
							212A00	40.0/46.2	15.0/20.0	61.1/68.9	70/70	031A00	56/63	210/210	16			
							213A00	50.0/57.7	18.8/25.0	73.6/83.3	80/90	031A00	68/77	210/210	16			
							—	—	—	15.4	25	—	15	92	—			
							215A00	5.8	5.0	15.4	25	030A00	15	92	15			
							216A00	8.7	7.5	15.4	25	030A00	15	92	15			
							217A00	11.5	10.0	17.7	25	030A00	16	92	15			
							218A00	17.3	15.0	24.9	25	030A00	23	92	15			
							219A00	23.1	20.0	32.1	35	030A00	30	92	15			
							220A00	28.9	25.0	39.3	40	030A00	36	92	15			
							—	—	—	16.2	25	—	16	105	—			
							215A00	5.8	5.0	16.2	25	030A00	16	105	15			
							216A00	8.7	7.5	16.2	25	030A00	16	105	15			
							217A00	11.5	10.0	18.7	25	030A00	17	105	15			
							218A00	17.3	15.0	25.9	30	030A00	24	105	15			
							219A00	23.1	20.0	33.1	35	030A00	30	105	15			
							220A00	28.9	25.0	40.3	45	030A00	37	105	15			
							—	—	—	16.0	25	—	16	93	—			
							215A00	5.8	5.0	16.0	25	030A00	16	93	15			
							216A00	8.7	7.5	16.0	25	030A00	16	93	15			
							217A00	11.5	10.0	18.4	25	030A00	17	93	15			
							218A00	17.3	15.0	25.7	30	030A00	24	93	15			
							219A00	23.1	20.0	32.9	35	030A00	30	93	15			
220A00	28.9	25.0	40.1	45	030A00	37	93	15										
—	—	—	16.8	25	—	17	106	—										
215A00	5.8	5.0	16.8	25	030A00	17	106	15										
216A00	8.7	7.5	16.8	25	030A00	17	106	15										
217A00	11.5	10.0	19.4	25	030A00	18	106	15										
218A00	17.3	15.0	26.7	30	030A00	25	106	15										
219A00	23.1	20.0	33.9	35	030A00	31	106	15										
220A00	28.9	25.0	41.1	45	030A00	38	106	15										

LEGEND

- FLA** — Full Load Amps
- HACR** — Heating, Air Conditioning and Refrigeration
- IFM** — Indoor — Fan Motor
- LRA** — Locked Rotor Amps
- MCA** — Minimum Circuit Amps
- MOCP** — Maximum Overcurrent Protection
- NEC** — National Electrical Code
- OFM** — Outdoor—Fan Motor
- RLA** — Rated Load Amps



Example: Supply voltage is 460-3-60



AB = 224 v
 BC = 231 v
 AC = 226 v
 Average Voltage = $\frac{224 + 231 + 226}{3}$
 = $\frac{681}{3}$
 = 227

Determine maximum deviation from average voltage.

- (AB) 227 - 223 = 3 v
 - (BC) 231 - 227 = 4 v
 - (AC) 227 - 226 = 1 v
- Maximum deviation is 4 v.

Determine percent of voltage imbalance.

% Voltage Imbalance = $100 \times \frac{4}{227}$
 = 1.76%

This amount of phase imbalance is satisfactory as it is below the maximum allowable 2%.

IMPORTANT: If the supply voltage phase imbalance is more than 2%, contact your local electric utility company immediately.

- 3. Single point kits CRSINGLE028A00 and CRSINGLE030A00 are not required if field-supplied pressure connectors are used.

* Heater capacity (kW) is based on heater voltage of 208 v, 240 v, or 480 v. If power distribution voltage to unit varies from rated heater voltage, heater kW will vary accordingly.

† Fuse or HACR circuit breaker.

NOTES:

1. In compliance with NEC requirements for multimotor and combination load equipment (refer to NEC Articles 430 and 440), the overcurrent protective device for the unit shall be fuse or HACR breaker.

2. Unbalanced 3-Phase Supply Voltage

Never operate a motor where a phase imbalance in supply voltage is greater than 2%. Use the following formula to determine the percentage of voltage imbalance.

% Voltage Imbalance = $100 \times \frac{\text{max voltage deviation from average voltage}}{\text{average voltage}}$

50PG03-16

Table 1 — Electrical Data — Units Without Optional Powered Convenience Outlet (cont)

UNIT 50PG	NOMINAL POWER SUPPLY VOLTS-PH-HZ	VOLTAGE RANGE		COMPRESSOR (EA.)		OFM FLA	IFMF LA	POWER EXHAUST FLA	IFM TYPE	ELECTRIC HEAT			POWER SUPPLY		CRSINGLE PART NO. (NOTE3)	DISCONNECT SIZE		WIRING FIG. NO.	
		MIN	MAX	RLA	LRA					CRHEATER PART NO.	FLA	NOMINAL KW*	MCA	MOCPT†		FLA	LRA		
													FLA	LRA					
07 (cont)	575-3-60	518	632	7.6	54.0	0.8	2.0	—	Low	—	—	—	12.3	15	—	12	67	—	
										221A00	9.2	10.0	14.0	15	030A00	13	67	15	
										222A00	13.9	15.0	20.1	20	030A00	18	67	15	
										223A00	18.5	20.0	25.6	30	030A00	24	67	15	
										254A00	23.1	25.0	31.4	30	030A00	29	67	15	
										224A00	27.7	30.0	37.1	40	030A00	34	67	15	
									2.8	High	—	—	—	13.1	20	—	13	76	—
											221A00	9.2	10.0	15.0	20	030A00	14	76	15
											222A00	13.9	15.0	20.8	25	030A00	19	76	15
											223A00	18.5	20.0	26.6	30	030A00	24	76	15
											254A00	23.1	25.0	32.4	30	030A00	30	76	15
											224A00	27.7	30.0	38.1	40	030A00	35	76	15
							2.0	Low	—	—	—	13.6	20	—	13	68	—		
									221A00	9.2	10.0	15.8	20	030A00	15	68	15		
									222A00	13.9	15.0	21.6	25	030A00	20	68	15		
									223A00	18.5	20.0	27.3	30	030A00	25	68	15		
									254A00	23.1	25.0	33.1	30	030A00	30	68	15		
									224A00	27.7	30.0	38.9	40	030A00	36	68	15		
								2.9	High	—	—	—	14.4	20	—	14	80	—	
										221A00	9.2	10.0	16.8	20	030A00	15	80	15	
										222A00	13.9	15.0	22.6	25	030A00	21	80	15	
										223A00	18.5	20.0	28.3	30	030A00	26	80	15	
										254A00	23.1	25.0	34.1	35	030A00	31	80	15	
										224A00	27.7	30.0	39.9	40	030A00	37	80	15	
08	208/230-3-60	187	253	13.5	88	1.5	5.2	—	Low	—	—	—/—	38.5/ 38.5	50/ 50	—	40/ 40	212/212	—	
										225A00	20.0/23.1	7.5/10.0	38.5/ 38.5	50/ 50	030A00	40/ 40	212/212	15	
										226A00	30.0/34.6	11.3/15.0	44.0/ 49.8	50/ 50	030A00	41/ 46	212/212	15	
										227A00	50.0/57.7	18.8/25.0	69.0/ 78.7	70/ 80	031A00	64/ 72	212/212	16	
										228A00	70.0/80.8	26.3/35.0	94.1/107.5	100/110	031A00	87/ 99	212/212	17	
										229A00	80.0/92.4	30.0/40.0	106.6/122.0	110/125	031A00	98/112	212/212	17	
									7.5	High	—	—	—/—	40.8/ 40.8	50/ 50	—	43/ 43	238/238	—
											225A00	20.0/23.1	7.5/10.0	40.8/ 40.8	50/ 50	030A00	43/ 43	238/238	15
											226A00	30.0/34.6	11.3/15.0	46.9/ 52.7	50/ 60	030A00	43/ 48	238/238	15
											227A00	50.0/57.7	18.8/25.0	71.9/ 81.5	80/ 90	031A00	66/ 75	238/238	16
											228A00	70.0/80.8	26.3/35.0	96.9/110.4	100/125	031A00	89/102	238/238	17
											229A00	80.0/92.4	30.0/40.0	109.4/124.8	110/125	031A00	101/115	238/238	17
							5.2	Low	—	—	—/—	41.5/ 41.5	50/ 50	—	44/ 44	216/216	—		
									225A00	20.0/23.1	7.5/10.0	41.5/ 41.5	50/ 50	030A00	44/ 44	216/216	15		
									226A00	30.0/34.6	11.3/15.0	47.8/ 53.6	50/ 60	030A00	44/ 49	216/216	15		
									227A00	50.0/57.7	18.8/25.0	72.8/ 82.4	80/ 90	031A00	67/ 76	216/216	16		
									228A00	70.0/80.8	26.3/35.0	97.8/111.3	100/125	031A00	90/102	216/216	17		
									229A00	80.0/92.4	30.0/40.0	110.3/125.7	125/150	031A00	101/116	216/216	17		
								7.5	High	—	—	—/—	43.8/ 43.8	50/ 50	—	46/ 46	242/242	—	
										225A00	20.0/23.1	7.5/10.0	43.8/ 43.8	50/ 50	030A00	46/ 46	242/242	15	
										226A00	30.0/34.6	11.3/15.0	50.6/ 56.4	60/ 60	030A00	47/ 52	242/242	15	
										227A00	50.0/57.7	18.8/25.0	75.7/ 85.3	80/ 90	031A00	70/ 78	242/242	16	
										228A00	70.0/80.8	26.3/35.0	100.7/114.2	110/125	031A00	93/105	242/242	17	
										229A00	80.0/92.4	30.0/40.0	113.2/128.6	125/150	031A00	104/118	242/242	17	
460-3-60	414	506	6.4	39	0.8	2.6	—	Low	—	—	—	18.6	25	—	20	96	—		
									232A00	11.5	10.0	18.6	25	030A00	20	96	15		
									233A00	17.3	15.0	24.9	25	030A00	23	96	15		
									234A00	28.9	25.0	39.3	40	030A00	36	96	15		
									235A00	40.4	35.0	53.8	60	030A00	49	96	15		
									236A00	46.2	40.0	61.0	70	033A00	56	96	19		
								3.4	High	—	—	—	19.4	25	—	20	109	—	
										232A00	11.5	10.0	19.4	25	030A00	20	109	15	
										233A00	17.3	15.0	25.9	30	030A00	24	109	15	
										234A00	28.9	25.0	40.3	45	030A00	37	109	15	
										235A00	40.4	35.0	54.8	60	030A00	50	109	15	
										236A00	46.2	40.0	62.0	70	033A00	57	109	19	
						2.6	Low	—	—	—	19.8	25	—	21	99	—			
								232A00	11.5	10.0	19.8	25	030A00	21	99	15			
								233A00	17.3	15.0	26.4	30	030A00	24	99	15			
								234A00	28.9	25.0	40.8	45	030A00	38	99	15			
								235A00	40.4	35.0	55.3	60	030A00	51	99	15			
								236A00	46.2	40.0	62.5	70	033A00	57	99	19			
							3.4	High	—	—	—	20.6	25	—	22	112	—		
									232A00	11.5	10.0	20.6	25	030A00	22	112	15		
									233A00	17.3	15.0	27.4	30	030A00	25	112	15		
									234A00	28.9	25.0	41.8	45	030A00	38	112	15		
									235A00	40.4	35.0	56.3	60	030A00	52	112	15		
									236A00	46.2	40.0	63.5	70	033A00	58	112	19		
575-3-60	518	632	6.4	30.0	0.8	2.0	—	Low	—	—	—	18.0	20	—	19	84	—		
									239A00	13.9	15.0	20.1	20	030A00	19	84	15		
									240A00	23.1	25.0	31.4	35	030A00	29	84	15		
									241A00	32.3	35.0	42.9	45	030A00	39	84	15		
									242A00	37.0	40.0	48.7	50	030A00	45	84	15		
									—	—	—	18.8	20	—	20	102	—		
								High	239A00	13.9	15.0	20.8	25	030A00	20	102	15		
									240A00	23.1	25.0	32.4	35	030A00	30	102	15		
									241A00	32.3	35.0	43.9	45	030A00	40	102	15		
									242A00	37.0	40.0	49.7	50	030A00	46	102	15		

50PG03-16

Table 1 — Electrical Data — Units Without Optional Powered Convenience Outlet (cont)

UNIT 50PG	NOMINAL POWER SUPPLY VOLTS-PH-HZ	VOLTAGE RANGE		COMPRESSOR (EA.)		OFM	IFM	POWER EXHAUST FLA	IFM TYPE	ELECTRIC HEAT			POWER SUPPLY		CRSINGLE PART NO. (NOTE3)	DISCONNECT SIZE		WIRING FIG. NO.
		MIN	MAX	RLA	LRA	FLA	FLA			CRHEATER PART NO.	FLA	NOMINAL KW*	MCA	MOCP†		FLA	LRA	
08 (cont)	575-3-60 (cont)	518	632	6.4	30.0	0.8	2.8	3.0	Low	—	—	—	18.1	20	—	19	86	—
										239A00	13.9	15.0	23.6	25	030A00	22	86	15
										240A00	23.1	25.0	35.1	40	030A00	32	86	15
										241A00	32.3	35.0	46.7	50	030A00	43	86	15
										242A00	37.0	40.0	52.4	60	030A00	48	86	15
										—	—	—	18.9	25	—	20	98	—
										239A00	13.9	15.0	24.6	25	030A00	23	98	15
										240A00	23.1	25.0	36.1	40	030A00	33	98	15
										241A00	32.3	35.0	47.7	50	030A00	44	98	15
										242A00	37.0	40.0	53.4	60	030A00	49	98	15
09	208/230-3-60	187	253	16.0	91	1.5	5.2	—	Low	—	—	—/—	44.3/ 44.3	60/ 60	—	46/ 46	218/218	—
										225A00	20.0/23.1	7.5/10.0	44.3/ 44.3	60/ 60	030A00	46/ 46	218/218	15
										226A00	30.0/34.6	11.3/15.0	44.3/ 49.8	60/ 60	030A00	46/ 46	218/218	15
										227A00	50.0/57.7	18.8/25.0	69.0/ 78.7	70/ 80	031A00	64/ 72	218/218	16
										228A00	70.0/80.8	26.3/35.0	94.1/107.5	100/110	031A00	87/ 99	218/218	17
										229A00	80.0/92.4	30.0/40.0	106.6/122.0	110/125	031A00	98/112	218/218	17
									—	—	—/—	49.3/ 49.3	60/ 60	—	52/ 52	261/261	—	
									225A00	20.0/23.1	7.5/10.0	49.3/ 49.3	60/ 60	030A00	52/ 52	261/261	15	
									226A00	30.0/34.6	11.3/15.0	50.3/ 56.1	60/ 60	030A00	52/ 52	261/261	15	
									227A00	50.0/57.7	18.8/25.0	75.3/ 84.9	80/ 90	031A00	69/ 78	261/261	16	
									228A00	70.0/80.8	26.3/35.0	100.3/113.8	110/125	031A00	92/105	261/261	17	
									229A00	80.0/92.4	30.0/40.0	112.8/128.2	125/150	031A00	104/118	261/261	17	
									—	—	—/—	47.3/ 47.3	60/ 60	—	50/ 50	222/222	—	
									225A00	20.0/23.1	7.5/10.0	47.3/ 47.3	60/ 60	030A00	50/ 50	222/222	15	
									226A00	30.0/34.6	11.3/15.0	47.8/ 53.6	60/ 60	030A00	50/ 50	222/222	15	
									227A00	50.0/57.7	18.8/25.0	72.8/ 82.4	80/ 90	031A00	67/ 76	222/222	16	
									228A00	70.0/80.8	26.3/35.0	97.8/111.3	100/125	031A00	90/102	222/222	17	
									229A00	80.0/92.4	30.0/40.0	110.3/125.7	125/150	031A00	101/116	222/222	17	
	—	—	—/—	52.3/ 52.3	60/ 60	—	55/ 55	265/265	—									
	225A00	20.0/23.1	7.5/10.0	52.3/ 52.3	60/ 60	030A00	55/ 55	265/265	15									
	226A00	30.0/34.6	11.3/15.0	54.0/ 59.8	60/ 60	030A00	55/ 55	265/265	15									
	227A00	50.0/57.7	18.8/25.0	79.0/ 88.7	80/ 90	031A00	73/ 82	265/265	16									
	228A00	70.0/80.8	26.3/35.0	104.1/117.5	110/125	031A00	96/108	265/265	17									
	229A00	80.0/92.4	30.0/40.0	116.6/132.0	125/150	031A00	107/121	265/265	17									
	—	—	—	20.1	25	—	21	110	—									
	232A00	11.5	10.0	20.1	25	030A00	21	110	15									
	233A00	17.3	15.0	24.9	25	030A00	23	110	15									
	234A00	28.9	25.0	39.3	40	030A00	36	110	15									
	235A00	40.4	35.0	53.8	60	030A00	49	110	15									
	236A00	46.2	40.0	61.0	70	033A00	56	110	19									
—	—	—	22.3	25	—	24	132	—										
232A00	11.5	10.0	22.3	25	030A00	24	132	15										
233A00	17.3	15.0	27.7	30	030A00	25	132	15										
234A00	28.9	25.0	42.1	45	030A00	39	132	15										
235A00	40.4	35.0	56.5	60	030A00	52	132	15										
236A00	46.2	40.0	63.7	70	033A00	59	132	19										

LEGEND

- FLA** — Full Load Amps
- HACR** — Heating, Air Conditioning and Refrigeration
- IFM** — Indoor — Fan Motor
- LRA** — Locked Rotor Amps
- MCA** — Minimum Circuit Amps
- MOCP** — Maximum Overcurrent Protection
- NEC** — National Electrical Code
- OFM** — Outdoor—Fan Motor
- RLA** — Rated Load Amps



Example: Supply voltage is 460-3-60



AB = 224 v
 BC = 231 v
 AC = 226 v
 Average Voltage = $\frac{224 + 231 + 226}{3}$
 = $\frac{681}{3}$
 = 227

Determine maximum deviation from average voltage.

- (AB) 227 - 223 = 3 v
- (BC) 231 - 227 = 4 v
- (AC) 227 - 226 = 1 v

Maximum deviation is 4 v.

Determine percent of voltage imbalance.

% Voltage Imbalance = $100 \times \frac{4}{227}$
 = 1.76%

This amount of phase imbalance is satisfactory as it is below the maximum allowable 2%.

IMPORTANT: If the supply voltage phase imbalance is more than 2%, contact your local electric utility company immediately.

- 3. Single point kits CRSINGLE028A00 and CRSINGLE030A00 are not required if field-supplied pressure connectors are used.

* Heater capacity (kW) is based on heater voltage of 208 v, 240 v, or 480 v. If power distribution voltage to unit varies from rated heater voltage, heater kW will vary accordingly.
 † Fuse or HACR circuit breaker.

NOTES:

1. In compliance with NEC requirements for multimotor and combination load equipment (refer to NEC Articles 430 and 440), the overcurrent protective device for the unit shall be fuse or HACR breaker.
2. **Unbalanced 3-Phase Supply Voltage**
 Never operate a motor where a phase imbalance in supply voltage is greater than 2%. Use the following formula to determine the percentage of voltage imbalance.

% Voltage Imbalance = $100 \times \frac{\text{max voltage deviation from average voltage}}{\text{average voltage}}$

50PG03-16

Table 1 — Electrical Data — Units Without Optional Powered Convenience Outlet (cont)

UNIT 50PG	NOMINAL POWER SUPPLY VOLTS-PH-HZ	VOLTAGE RANGE		COMPRESSOR (EA.)		OFM FLA	IFM FLA	POWER EXHAUST FLA	IFM TYPE	ELECTRIC HEAT			POWER SUPPLY		CRSINGLE PART NO. (NOTES)	DISCONNECT SIZE		WIRING FIG. NO.
		MIN	MAX	RLA	LRA					CRHEATER PART NO.	FLA	NOMINAL KW*	MCA	MOCPT†		FLA	LRA	
													FLA	LRA				
09 (cont)	460-3-60 (cont)	414	506	7.1	46	0.8	2.6	1.2	Low	—	—	—	21.3	25	—	22	113	—
										232A00	11.5	10.0	21.3	25	030A00	22	113	15
										233A00	17.3	15.0	26.4	30	030A00	24	113	15
										234A00	28.9	25.0	40.8	45	030A00	38	113	15
										235A00	40.4	35.0	55.3	60	030A00	51	113	15
										236A00	46.2	40.0	62.5	70	033A00	57	113	19
										—	—	—	23.5	30	—	25	134	—
										232A00	11.5	10.0	23.5	30	030A00	25	134	15
										233A00	17.3	15.0	29.2	30	030A00	27	134	15
										234A00	28.9	25.0	43.6	45	030A00	40	134	15
										235A00	40.4	35.0	58.0	60	030A00	53	134	15
										236A00	46.2	40.0	65.2	70	033A00	60	134	19
	575-3-60	518	632	5.6	37.0	0.8	2.0	—	Low	—	—	—	16.2	20	—	17	98	—
										239A00	13.9	15.0	20.1	20	030A00	18	98	15
										240A00	23.1	25.0	31.4	35	030A00	29	98	15
										241A00	32.3	35.0	42.9	45	030A00	39	98	15
										242A00	37.0	40.0	48.7	50	030A00	45	98	15
										—	—	—	17.5	20	—	19	136	—
										239A00	13.9	15.0	21.4	25	030A00	20	136	15
										240A00	23.1	25.0	33.0	35	030A00	30	136	15
										241A00	32.3	35.0	45.1	45	030A00	41	136	15
										242A00	37.0	40.0	50.3	50	030A00	46	136	15
										—	—	—	19.1	25	—	20	92	—
										239A00	13.9	15.0	23.6	25	030A00	22	92	15
240A00	23.1	25.0	35.1	40	030A00	32	92	15										
241A00	32.3	35.0	46.7	50	030A00	43	92	15										
242A00	37.0	40.0	52.4	60	030A00	48	92	15										
208/230-3-60	187	253	17.6	123	1.9	7.5	—	Low	—	—	—/—	51.0/ 51.0	60/ 60	—	54/ 54	314/314	—	
									225A00	20.0/ 23.1	7.5/10.0	51.0/ 51.0	60/ 60	030A00	54/ 54	314/314	15	
									226A00	30.0/ 34.6	11.3/15.0	51.0/ 52.7	60/ 60	030A00	54/ 54	314/314	15	
									227A00	50.0/ 57.7	18.8/25.0	71.9/ 81.5	80/ 90	031A00	66/ 75	314/314	16	
									228A00	70.0/ 80.8	26.3/35.0	96.9/110.4	100/125	031A00	89/102	314/314	17	
									229A00	80.0/ 92.4	30.0/40.0	109.4/124.8	110/125	031A00	101/115	314/314	17	
									230A00	100.1/115.5	37.6/50.0	134.5/124.8	150/150	031A00	124/141	314/314	17	
									—	—	—/—	53.7/ 53.7	60/ 60	—	57/ 57	331/331	—	
									225A00	20.0/ 23.1	7.5/10.0	53.7/ 53.7	60/ 60	030A00	57/ 57	331/331	15	
									226A00	30.0/ 34.6	11.3/15.0	53.7/ 56.1	60/ 60	030A00	57/ 57	331/331	15	
									227A00	50.0/ 57.7	18.8/25.0	75.3/ 84.9	80/ 90	031A00	69/ 78	331/331	16	
									228A00	70.0/ 80.8	26.3/35.0	100.3/113.8	110/125	031A00	92/105	331/331	17	
229A00	80.0/ 92.4	30.0/40.0	112.8/128.2	125/150	031A00	104/118	331/331	17										
230A00	100.1/115.5	37.6/50.0	137.8/128.2	150/150	031A00	127/145	331/331	17										
460-3-60	414	506	7.7	50	1.0	3.4	—	Low	—	—	—	22.7	30	—	24	130	—	
									232A00	11.5	10.0	22.7	30	030A00	24	130	15	
									233A00	17.3	15.0	25.9	30	030A00	24	130	15	
									234A00	28.9	25.0	40.3	45	030A00	37	130	15	
									235A00	40.4	35.0	54.8	60	030A00	50	130	15	
									236A00	46.2	40.0	62.0	70	033A00	57	130	19	
									237A00	57.7	50.0	62.0	70	033A00	70	130	19	
									—	—	—	24.1	30	—	26	139	—	
									232A00	11.5	10.0	24.1	30	030A00	26	139	15	
									233A00	17.3	15.0	27.7	30	030A00	26	139	15	
									234A00	28.9	25.0	42.1	45	030A00	39	139	15	
									235A00	40.4	35.0	56.5	60	030A00	52	139	15	
236A00	46.2	40.0	63.7	70	033A00	59	139	19										
237A00	57.7	50.0	63.7	70	033A00	72	139	19										
460-3-60	414	506	7.7	50	1.0	3.4	—	Low	—	—	—	23.9	30	—	25	133	—	
									232A00	11.5	10.0	23.9	30	030A00	25	133	15	
									233A00	17.3	15.0	27.4	30	030A00	25	133	15	
									234A00	28.9	25.0	41.8	45	030A00	38	133	15	
									235A00	40.4	35.0	56.3	60	030A00	52	133	15	
									236A00	46.2	40.0	63.5	70	033A00	58	133	19	
									237A00	57.7	50.0	63.5	70	033A00	72	133	19	
									—	—	—	25.3	30	—	27	141	—	
									232A00	11.5	10.0	25.3	30	030A00	27	141	15	
									233A00	17.3	15.0	29.2	30	030A00	27	141	15	
									234A00	28.9	25.0	43.6	45	030A00	40	141	15	
									235A00	40.4	35.0	58.0	60	030A00	53	141	15	
236A00	46.2	40.0	65.2	70	033A00	60	141	19										
237A00	57.7	50.0	65.2	70	033A00	73	141	19										

50PG03-16

Table 1 — Electrical Data — Units Without Optional Powered Convenience Outlet (cont)

UNIT 50PG	NOMINAL POWER SUPPLY VOLTS-PH-HZ	VOLTAGE RANGE		COMPRESSOR (EA.)		OFM FLA	IFM FLA	POWER EXHAUST FLA	IFM TYPE	ELECTRIC HEAT			POWER SUPPLY		CRSINGLE PART NO.(NOTE3)	DISCONNECT SIZE		WIRING FIG. NO.	
		MIN	MAX	RLA	LRA					CRHEATER PART NO.	FLA	NOMINAL KW*	MCA	MOCP†		FLA	LRA		
12 (cont)	575-3-60	518	632	6.1	40.0	0.8	2.8	—	Low	—	—	—	20.1	20	—	21	124	—	
										239A00	13.9	15.0	20.8	25	030A00	21	124	15	
										240A00	23.1	25.0	32.4	35	030A00	32	124	15	
										241A00	32.3	35.0	43.9	45	030A00	42	124	15	
										242A00	37.0	40.0	49.7	50	030A00	48	124	15	
										243A00	46.2	50.0	49.7	60	030A00	58	124	15	
									3.3	High	—	—	—	18.6	20	—	20	142	—
											239A00	13.9	15.0	21.4	25	030A00	20	142	15
											240A00	23.1	25.0	33.0	35	030A00	30	142	15
											241A00	32.3	35.0	45.1	45	030A00	41	142	15
											242A00	37.0	40.0	50.3	50	030A00	46	142	15
											243A00	46.2	50.0	50.3	60	030A00	57	142	15
							2.8	3.0	Low	—	—	—	21.1	25	—	23	110	—	
										239A00	13.9	15.0	24.6	25	030A00	23	110	15	
										240A00	23.1	25.0	36.1	40	030A00	33	110	15	
										241A00	32.3	35.0	47.7	50	030A00	44	110	15	
										242A00	37.0	40.0	53.4	60	030A00	49	110	15	
										243A00	46.2	50.0	53.4	60	030A00	60	110	15	
								3.3	High	—	—	—	21.1	25	—	23	110	—	
										239A00	13.9	15.0	24.6	25	030A00	23	110	15	
										240A00	23.1	25.0	36.1	40	030A00	33	110	15	
										241A00	32.3	35.0	47.7	50	030A00	44	110	15	
										242A00	37.0	40.0	53.4	60	030A00	49	110	15	
										243A00	46.2	50.0	53.4	60	030A00	60	110	15	

LEGEND

- FLA** — Full Load Amps
- HACR** — Heating, Air Conditioning and Refrigeration
- IFM** — Indoor — Fan Motor
- LRA** — Locked Rotor Amps
- MCA** — Minimum Circuit Amps
- MOCP** — Maximum Overcurrent Protection
- NEC** — National Electrical Code
- OFM** — Outdoor—Fan Motor
- RLA** — Rated Load Amps



Example: Supply voltage is 460-3-60



AB = 224 v
 BC = 231 v
 AC = 226 v
 Average Voltage = $\frac{224 + 231 + 226}{3}$
 = $\frac{681}{3}$
 = 227

Determine maximum deviation from average voltage.

- (AB) 227 - 223 = 3 v
 - (BC) 231 - 227 = 4 v
 - (AC) 227 - 226 = 1 v
- Maximum deviation is 4 v.

Determine percent of voltage imbalance.

% Voltage Imbalance = $100 \times \frac{4}{227}$
 = 1.76%

This amount of phase imbalance is satisfactory as it is below the maximum allowable 2%.

IMPORTANT: If the supply voltage phase imbalance is more than 2%, contact your local electric utility company immediately.

3. Single point kits CRSINGLE028A00 and CRSINGLE030A00 are not required if field-supplied pressure connectors are used.

% Voltage Imbalance = $100 \times \frac{\text{max voltage deviation from average voltage}}{\text{average voltage}}$

* Heater capacity (kW) is based on heater voltage of 208 v, 240 v, or 480 v. If power distribution voltage to unit varies from rated heater voltage, heater kW will vary accordingly.
 † Fuse or HACR circuit breaker.

NOTES:

1. In compliance with NEC requirements for multimotor and combination load equipment (refer to NEC Articles 430 and 440), the overcurrent protective device for the unit shall be fuse or HACR breaker.
2. **Unbalanced 3-Phase Supply Voltage**
 Never operate a motor where a phase imbalance in supply voltage is greater than 2%. Use the following formula to determine the percentage of voltage imbalance.

50PG03-16

Table 1 — Electrical Data — Units Without Optional Powered Convenience Outlet (cont)

UNIT 50PG	NOMINAL POWER SUPPLY VOLTS-PH-HZ	VOLTAGE RANGE		COMPRESSOR (EA.)		OFM FLA	IFM FLA	POWER EXHAUST FLA	IFM TYPE	ELECTRIC HEAT			POWER SUPPLY		CRSINGLE PART NO.(NOTES)	DISCONNECT SIZE		WIRING FIG. NO.
		MIN	MAX	RLA	LRA					CRHEATER PART NO.	FLA	NOMINAL KW*	MCA	MOCPT†		FLA	LRA	
14	208/230-3-60	187	253	22.4	149	1.9	10.2	—	Low	—	—	—/—	64.5/ 64.5	80/ 80	—	68/ 68	383/383	—
										225A00	20.0/ 23.1	7.5/10.0	64.5/ 64.5	80/ 80	032A00	68/ 68	383/383	18
										226A00	30.0/ 34.6	11.3/15.0	64.5/ 64.5	80/ 80	032A00	68/ 68	383/383	18
										227A00	50.0/ 57.7	18.8/25.0	75.3/ 84.9	80/ 90	032A00	69/ 78	383/383	18
										228A00	70.0/ 80.8	26.3/35.0	100.3/113.8	110/125	032A00	92/105	383/383	18
										230A00	100.1/115.5	37.6/50.0	137.8/128.2	150/150	032A00	127/145	383/383	18
									231A00	120.1/138.6	45.1/60.0	162.8/151.3	175/175	032A00	150/171	383/383	18	
									—	—	—/—	69.3/ 69.3	90/ 90	—	73/ 73	391/391	—	
									225A00	20.0/ 23.1	7.5/10.0	69.3/ 69.3	90/ 90	032A00	73/ 73	391/391	18	
									226A00	30.0/ 34.6	11.3/15.0	69.3/ 69.3	90/ 90	032A00	73/ 73	391/391	18	
									227A00	50.0/ 57.7	18.8/25.0	81.3/ 90.9	90/100	032A00	75/ 84	391/391	18	
									228A00	70.0/ 80.8	26.3/35.0	106.3/119.8	110/125	032A00	98/110	391/391	18	
							230A00	100.1/115.5	37.6/50.0	143.8/134.2	150/150	032A00	132/150	391/391	18			
							231A00	120.1/138.6	45.1/60.0	168.8/157.3	175/175	032A00	155/177	391/391	18			
							—	—	—/—	67.5/ 67.5	80/ 80	—	71/ 71	387/387	—			
							225A00	20.0/ 23.1	7.5/10.0	67.5/ 67.5	80/ 80	032A00	71/ 71	387/387	18			
							226A00	30.0/ 34.6	11.3/15.0	67.5/ 67.5	80/ 80	032A00	71/ 71	387/387	18			
							227A00	50.0/ 57.7	18.8/25.0	79.0/ 88.7	80/ 90	032A00	73/ 82	387/387	18			
							228A00	70.0/ 80.8	26.3/35.0	104.1/117.5	110/125	032A00	96/108	387/387	18			
							230A00	100.1/115.5	37.6/50.0	141.6/132.0	150/150	032A00	130/148	387/387	18			
							231A00	120.1/138.6	45.1/60.0	166.6/155.1	175/175	032A00	153/175	387/387	18			
							—	—	—/—	72.3/ 72.3	90/ 90	—	77/ 77	395/395	—			
							225A00	20.0/ 23.1	7.5/10.0	72.3/ 72.3	90/ 90	032A00	77/ 77	395/395	18			
							226A00	30.0/ 34.6	11.3/15.0	72.3/ 72.3	90/ 90	032A00	77/ 77	395/395	18			
	227A00	50.0/ 57.7	18.8/25.0	85.0/ 94.7	90/100	032A00	78/ 87	395/395	18									
	228A00	70.0/ 80.8	26.3/35.0	110.1/123.5	125/125	032A00	101/114	395/395	18									
	230A00	100.1/115.5	37.6/50.0	147.6/138.0	150/150	032A00	136/153	395/395	18									
	231A00	120.1/138.6	45.1/60.0	172.6/161.1	175/175	032A00	159/180	395/395	18									
	460-3-60	414	506	10.6	75	1.0	4.8	—	Low	—	—	—	30.6	40	—	32	190	—
										232A00	11.5	10.0	30.6	40	030A00	32	190	15
										233A00	17.3	15.0	30.6	40	030A00	32	190	15
										234A00	28.9	25.0	42.1	45	030A00	39	190	15
										235A00	40.4	35.0	56.5	60	030A00	52	190	15
										237A00	57.7	50.0	63.7	70	033A00	72	190	19
									238A00	69.3	60.0	75.3	90	033A00	85	190	19	
									—	—	—	33.2	40	—	35	194	—	
									232A00	11.5	10.0	33.2	40	030A00	35	194	15	
									233A00	17.3	15.0	33.2	40	030A00	35	194	15	
									234A00	28.9	25.0	45.3	50	030A00	42	194	15	
									235A00	40.4	35.0	59.8	60	030A00	55	194	15	
							237A00	57.7	50.0	67.0	80	033A00	75	194	19			
							238A00	69.3	60.0	78.5	90	033A00	88	194	19			
							4.8	Low	—	—	—	31.8	40	—	34	192	—	
									232A00	11.5	10.0	31.8	40	030A00	34	192	15	
									233A00	17.3	15.0	31.8	40	030A00	34	192	15	
									234A00	28.9	25.0	43.6	45	030A00	40	192	15	
									235A00	40.4	35.0	58.0	60	030A00	53	192	15	
									237A00	57.7	50.0	65.2	70	033A00	73	192	19	
238A00								69.3	60.0	76.8	90	033A00	87	192	19			
High								—	—	—	34.4	45	—	37	197	—		
								232A00	11.5	10.0	34.4	45	030A00	37	197	15		
								233A00	17.3	15.0	34.4	45	030A00	37	197	15		
	234A00	28.9	25.0	46.8	50	030A00		43	197	15								
	235A00	40.4	35.0	61.3	70	033A00		56	197	15								
	237A00	57.7	50.0	68.5	80	033A00	76	197	19									
238A00	69.3	60.0	80.0	90	033A00	90	197	19										
7.4	Low	—	—	—	28.7	25	—	30	180	—								
		239A00	13.9	15.0	28.7	25	030A00	30	180	15								
		240A00	23.1	25.0	33.0	35	030A00	30	180	15								
		241A00	32.3	35.0	45.1	45	030A00	41	180	15								
		242A00	37.0	40.0	50.3	50	030A00	46	180	15								
		243A00	46.2	50.0	50.3	60	030A00	57	180	15								
	244A00	55.4	60.0	59.6	60	030A00	68	180	15									
	High	—	—	—	31.0	30	—	33	191	—								
		239A00	13.9	15.0	31.0	30	030A00	33	191	15								
		240A00	23.1	25.0	35.9	40	030A00	33	191	15								
		241A00	32.3	35.0	47.4	50	030A00	44	191	15								
		242A00	37.0	40.0	53.2	60	030A00	49	191	15								
243A00		46.2	50.0	53.2	60	030A00	60	191	15									
244A00	55.4	60.0	62.4	70	033A00	70	191	19										
5.6	Low	—	—	—	24.7	30	—	26	138	—								
		239A00	13.9	15.0	24.7	30	030A00	26	138	15								
		240A00	23.1	25.0	36.1	40	030A00	33	138	15								
		241A00	32.3	35.0	47.7	50	030A00	44	138	15								
		242A00	37.0	40.0	53.4	60	030A00	49	138	15								
		243A00	46.2	50.0	53.4	60	030A00	60	138	15								
	244A00	55.4	60.0	62.7	70	033A00	70	138	19									
	High	—	—	—	27.5	30	—	29	151	—								
		239A00	13.9	13.9	28.1	30	030A00	29	151	15								
		240A00	23.1	23.1	39.6	40	030A00	36	151	15								
		241A00	32.3	32.3	51.2	60	030A00	47	151	15								
		242A00	37.0	37.0	56.9	60	030A00	52	151	15								
243A00		46.2	46.2	56.9	60	030A00	63	151	15									
244A00	55.4	55.4	66.2	70	033A00	74	151	19										

50PG03-16

Table 1 — Electrical Data — Units Without Optional Powered Convenience Outlet (cont)

UNIT SOPG	NOMINAL POWER SUPPLY (V-PH-HZ)	VOLTAGE RANGE		COMPR NO. 1		COMPR NO. 2		COMPR NO. 3		OF MFL A	POWER EXHAUST		IFM TYPE	IFM FLA	ELECTRIC HEAT			POWER SUPPLY		CRSINGLE PART NO. (NOTE3)	DISCONNECT SIZE		WIRING FIG. NO.
		MIN	MAX	RLA	LRA	RLA	LRA	RLA	LRA		QTY	FLA			CRHEATER PART NO.	FLA	NOMINAL KW*	MCA	MOCP		FLA	LRA	
16	208/230-3-60	187	253	18.1	137	18.1	137	17.6	123	1.9			Low	10.2	—	—	—/—	74.2/ 74.2	90/ 90	—	80/ 80	482/482	—
															255A00	52.1/ 60.1	18.8/25.0	77.9/ 87.9	90/ 90	034	80/ 81	482/482	20
															256A00	104.2/120.3	37.6/50.0	143.0/133.0	150/150	034	132/150	482/482	20
															257A00	156.3/180.4	56.3/75.0	169.1/193.2	200/225	034	192/219	482/482	20
															—	—	—/—	79.0/ 79.0	90/ 90	—	86/ 86	491/491	—
															255A00	52.1/ 60.1	18.8/25.0	83.9/ 93.9	90/100	034	86/ 86	491/491	20
															256A00	104.2/120.3	37.6/50.0	149.0/139.0	150/175	034	137/156	491/491	20
															257A00	156.3/180.4	56.3/75.0	175.1/199.2	200/225	034	197/225	491/491	20
															—	—	—/—	83.4/ 83.4	100/100	—	91/ 91	529/529	—
													255A00	52.1/ 60.1	18.8/25.0	89.4/ 99.4	100/100	034	91/ 91	529/529	20		
													256A00	104.2/120.3	37.6/50.0	154.5/144.5	175/175	034	142/161	529/529	20		
													257A00	156.3/180.4	56.3/75.0	180.6/204.7	200/225	034	202/230	529/529	20		
	460-3-60	414	506	9.0	62	9.0	62	7.7	50	1.0			Low	4.8	—	—	—/—	77.2/ 77.2	90/ 90	—	84/ 84	486/486	—
															255A00	52.1/ 60.1	18.8/25.0	81.6/ 91.7	90/100	034	84/ 84	486/486	20
															256A00	104.2/120.3	37.6/50.0	146.8/136.8	150/150	034	135/154	486/486	20
															257A00	156.3/180.4	56.3/75.0	172.8/196.9	200/225	034	195/223	486/486	20
															—	—	—/—	82.0/ 82.0	100/100	—	89/ 89	495/495	—
															255A00	52.1/ 60.1	18.8/25.0	87.6/ 97.7	100/100	034	89/ 90	495/495	20
															256A00	104.2/120.3	37.6/50.0	152.8/142.8	175/175	034	141/159	495/495	20
															257A00	156.3/180.4	56.3/75.0	178.8/202.9	200/225	034	200/228	495/495	20
															—	—	—/—	86.4/ 86.4	100/100	—	94/ 94	533/533	—
													255A00	52.1/ 60.1	18.8/25.0	93.1/103.2	100/110	034	94/ 95	533/533	20		
													256A00	104.2/120.3	37.6/50.0	158.3/148.3	175/175	034	146/164	533/533	20		
													257A00	156.3/180.4	56.3/75.0	184.3/208.4	200/250	034	206/233	533/533	20		
	575-3-60	518	633	6.8	50	6.8	50	6.1	40	0.8			Low	2.8	—	—	—/—	35.8	40	—	39	215	—
															258A00	30.1	25.0	43.6	45	035	40	215	21
															259A00	60.1	50.0	66.1	80	036	75	215	22
															260A00	90.2	75.0	96.2	100	036	109	215	22
															—	—	—/—	38.4	45	—	42	219	—
															258A00	30.1	25.0	46.8	50	035	43	219	21
															259A00	60.1	50.0	69.4	80	036	78	219	22
															260A00	90.2	75.0	99.5	110	036	112	219	22
															—	—	—/—	40.7	50	—	44	238	—
													258A00	30.1	25.0	49.7	50	035	46	238	21		
													259A00	60.1	50.0	72.3	80	036	80	238	22		
													260A00	90.2	75.0	102.3	125	036	115	238	22		
2												Low	4.8	—	—	—/—	37.0	45	—	40	217	—	
														258A00	30.1	25.0	45.1	50	035	41	217	21	
														259A00	60.1	50.0	67.6	80	036	76	217	22	
														260A00	90.2	75.0	97.7	100	036	111	217	22	
														—	—	—/—	39.6	45	—	43	222	—	
														258A00	30.1	25.0	48.3	50	035	44	222	21	
														259A00	60.1	50.0	70.9	80	036	79	222	22	
														260A00	90.2	75.0	101.0	110	036	114	222	22	
														—	—	—/—	41.9	50	—	46	241	—	
												258A00	30.1	25.0	51.2	60	036	47	241	21			
												259A00	60.1	50.0	73.8	80	036	82	241	22			
												260A00	90.2	75.0	103.8	125	036	116	241	22			
2												Mid-Low	5.6	—	—	—/—	26.6	30	—	29	167	—	
														261A00	24.1	25.0	33.6	35	035	31	167	21	
														262A00	46.2	50.0	49.7	60	035	56	167	21	
														263A00	72.2	75.0	75.7	80	036	86	167	22	
														—	—	—/—	29.4	35	—	32	181	—	
														261A00	24.1	25.0	37.1	40	035	34	181	21	
														262A00	46.2	50.0	53.2	60	035	60	181	21	
														263A00	72.2	75.0	79.2	90	036	89	181	22	
														—	—	—/—	31.6	35	—	34	196	—	
												261A00	24.1	25.0	39.8	40	035	37	196	21			
												262A00	46.2	50.0	55.9	60	035	62	196	21			
												263A00	72.2	75.0	81.9	90	036	92	196	22			
2												Low	2.8	—	—	—/—	29.6	35	—	32	171	—	
														261A00	24.1	25.0	37.3	40	035	34	171	21	
														262A00	46.2	50.0	53.4	60	035	60	171	21	
														263A00	72.2	75.0	79.4	90	036	90	171	22	
														—	—	—/—	32.4	35	—	35	185	—	
														261A00	24.1	25.0	40.8	45	035	38	185	21	
														262A00	46.2	50.0	56.9	60	035	63	185	21	
														263A00	72.2	75.0	82.9	90	036	93	185	22	
														—	—	—/—	34.6	40	—	38	200	—	
												261A00	24.1	25.0	43.6	45	035	40	200	21			
												262A00	46.2	50.0	59.7	70	035	66	200	21			
												263A00	72.2	75.0	85.7	100	036	95	200	22			

50PG03-16

Table 2 — Electrical Data — Units With Optional Powered Convenience Outlet

UNIT 50PG	NOMINAL POWER SUPPLY VOLTS-PH-HZ	VOLTAGE RANGE		COMPRESSOR (EA)		OFM FLA	IFM FLA	POWER EXHAUST FLA	IFM TYPE	ELECTRIC HEAT			POWER SUPPLY		CRSINGLE PART NO. (NOTE3)	DISCONNECT SIZE		WIRING FIG. NO.	
		MIN	MAX	RLA	LRA					CRHEATER PART NO.	FLA	NOMINAL KW*	MCA	MOCP†		FLA	LRA		
03	208/230-1-60	187	253	12.8	60	0.9	4.9	—	Low	—	—	—/—	27.8/27.8	30/30	—	27/27	78/78	—	
										200A00	10.8/12.5	2.3/3.0	27.8/27.8	30/30	028A00	27/27	78/78	13	
										201A00	17.3/20.0	3.8/5.0	32.8/36.1	35/40	028A00	31/34	78/78	13	
										202A00	26.0/30.0	5.6/7.5	43.6/48.6	45/50	028A00	41/46	78/78	13	
										203A00	34.7/40.0	7.5/10.0	54.5/61.1	60/70	028A00	51/57	78/78	13	
										—	—	—/—	27.8/27.8	30/30	—	27/27	78/78	—	
									High	200A00	10.8/12.5	2.3/3.0	27.8/27.8	30/30	028A00	27/27	78/78	13	
										201A00	17.3/20.0	3.8/5.0	32.8/36.1	35/40	028A00	31/34	78/78	13	
										202A00	26.0/30.0	5.6/7.5	43.6/48.6	45/50	028A00	41/46	78/78	13	
										203A00	34.7/40.0	7.5/10.0	54.5/61.1	60/70	028A00	51/57	78/78	13	
										—	—	—/—	29.2/29.2	40/40	—	29/29	80/80	—	
										200A00	10.8/12.5	2.3/3.0	29.2/29.2	40/40	028A00	29/29	80/80	13	
		1.4	—	Low	—	—	—	—	—	—	200A00	10.8/12.5	2.3/3.0	29.2/29.2	40/40	028A00	29/29	80/80	13
											201A00	17.3/20.0	3.8/5.0	34.5/37.9	40/40	028A00	33/36	80/80	13
											202A00	26.0/30.0	5.6/7.5	45.4/50.4	50/60	028A00	43/47	80/80	13
											203A00	34.7/40.0	7.5/10.0	56.2/62.9	60/70	028A00	53/59	80/80	13
											—	—	—/—	29.2/29.2	40/40	—	29/29	80/80	—
											200A00	10.8/12.5	2.3/3.0	29.2/29.2	40/40	028A00	29/29	80/80	13
				High	201A00	17.3/20.0	3.8/5.0	34.5/37.9	40/40	028A00	33/36	80/80	13						
					202A00	26.0/30.0	5.6/7.5	45.4/50.4	50/60	028A00	43/47	80/80	13						
					203A00	34.7/40.0	7.5/10.0	56.2/62.9	60/70	028A00	53/59	80/80	13						
					—	—	—/—	31.0/31.0	45/45	—	30/30	101/101	—						
					200A00	10.8/12.5	2.3/3.0	31.0/31.0	45/45	028A00	30/30	101/101	13						
					201A00	17.3/20.0	3.8/5.0	32.8/36.1	45/45	028A00	31/34	101/101	13						
04	208/230-1-60	187	253	15.4	83	0.9	4.9	—	Low	200A00	10.8/12.5	2.3/3.0	31.0/31.0	45/45	028A00	30/30	101/101	13	
										201A00	17.3/20.0	3.8/5.0	32.8/36.1	45/45	028A00	31/34	101/101	13	
										202A00	26.0/30.0	5.6/7.5	43.6/48.6	45/50	028A00	41/46	101/101	13	
										203A00	34.7/40.0	7.5/10.0	54.5/61.1	60/70	028A00	51/57	101/101	13	
										204A00	52.0/60.0	11.3/15.0	76.1/86.1	80/90	029A00	71/80	101/101	14	
										—	—	—/—	31.0/31.0	45/45	—	30/30	101/101	—	
									High	200A00	10.8/12.5	2.3/3.0	31.0/31.0	45/45	028A00	30/30	101/101	13	
										201A00	17.3/20.0	3.8/5.0	32.8/36.1	45/45	028A00	31/34	101/101	13	
										202A00	26.0/30.0	5.6/7.5	43.6/48.6	45/50	028A00	41/46	101/101	13	
										203A00	34.7/40.0	7.5/10.0	54.5/61.1	60/70	028A00	51/57	101/101	13	
										204A00	52.0/60.0	11.3/15.0	76.1/86.1	80/90	029A00	71/80	101/101	14	
										—	—	—/—	32.4/32.4	45/45	—	32/32	103/103	—	
		1.4	—	Low	—	—	—	—	—	—	200A00	10.8/12.5	2.3/3.0	32.4/32.4	45/45	028A00	32/32	103/103	13
											201A00	17.3/20.0	3.8/5.0	34.5/37.9	45/45	028A00	33/36	103/103	13
											202A00	26.0/30.0	5.6/7.5	45.4/50.4	50/60	028A00	43/47	103/103	13
											203A00	34.7/40.0	7.5/10.0	56.2/62.9	60/70	028A00	53/59	103/103	13
											204A00	52.0/60.0	11.3/15.0	77.9/87.9	80/90	029A00	73/82	103/103	14
											—	—	—/—	32.4/32.4	45/45	—	32/32	103/103	—
				High	200A00	10.8/12.5	2.3/3.0	32.4/32.4	45/45	028A00	32/32	103/103	13						
					201A00	17.3/20.0	3.8/5.0	34.5/37.9	45/45	028A00	33/36	103/103	13						
					202A00	26.0/30.0	5.6/7.5	45.4/50.4	50/60	028A00	43/47	103/103	13						
					203A00	34.7/40.0	7.5/10.0	56.2/62.9	60/70	028A00	53/59	103/103	13						
					204A00	52.0/60.0	11.3/15.0	77.9/87.9	80/90	029A00	73/82	103/103	14						
					—	—	—/—	25.0/25.0	30/30	—	25/25	95/95	—						
208/230-3-60	187	253	11.5	77	0.9	4.9	—	—	Low	207A00	6.3/7.2	2.3/3.0	25.0/25.0	30/30	030A00	25/25	95/95	15	
										208A00	10.0/11.5	3.8/5.0	25.0/26.0	30/30	030A00	25/25	95/95	15	
										209A00	15.0/17.3	5.6/7.5	30.9/33.2	35/35	030A00	28/31	95/95	15	
										210A00	20.0/23.1	7.5/10.0	37.2/40.4	40/45	030A00	34/38	95/95	15	
										211A00	30.0/34.6	11.3/15.0	49.7/54.9	50/60	030A00	46/51	95/95	15	
										—	—	—/—	25.0/25.0	30/30	—	25/25	95/95	—	
									High	207A00	6.3/7.2	2.3/3.0	25.0/25.0	30/30	030A00	25/25	95/95	15	
										208A00	10.0/11.5	3.8/5.0	25.0/26.0	30/30	030A00	25/25	95/95	15	
										209A00	15.0/17.3	5.6/7.5	30.9/33.2	35/35	030A00	28/31	95/95	15	
										210A00	20.0/23.1	7.5/10.0	37.2/40.4	40/45	030A00	34/38	95/95	15	
										211A00	30.0/34.6	11.3/15.0	49.7/54.9	50/60	030A00	46/51	95/95	15	
										—	—	—/—	25.0/25.0	30/30	—	25/25	95/95	—	

50PG03-16

LEGEND

- FLA — Full Load Amps
- HACR — Heating, Air Conditioning and Refrigeration
- IFM — Indoor — Fan Motor
- LRA — Locked Rotor Amps
- MCA — Minimum Circuit Amps
- MOCP — Maximum Overcurrent Protection
- NEC — National Electrical Code
- OFM — Outdoor—Fan Motor
- RLA — Rated Load Amps



Example: Supply voltage is 460-3-60



AB = 224 v
 BC = 231 v
 AC = 226 v
 Average Voltage = $\frac{224 + 231 + 226}{3}$
 = $\frac{681}{3}$
 = 227

Determine maximum deviation from average voltage.

- (AB) 227 - 223 = 3 v
 - (BC) 231 - 227 = 4 v
 - (AC) 227 - 226 = 1 v
- Maximum deviation is 4 v.

Determine percent of voltage imbalance.

% Voltage Imbalance = $100 \times \frac{4}{227}$
 = 1.76%

This amount of phase imbalance is satisfactory as it is below the maximum allowable 2%.

IMPORTANT: If the supply voltage phase imbalance is more than 2%, contact your local electric utility company immediately.

- 3. Single point kits CRSINGLE028A00 and CRSINGLE030A00 are not required if field-supplied pressure connectors are used.

% Voltage Imbalance = $100 \times \frac{\text{max voltage deviation from average voltage}}{\text{average voltage}}$

Table 2 — Electrical Data — Units With Optional Powered Convenience Outlet (cont)

UNIT 50PG	NOMINAL POWER SUPPLY VOLTS-PH-HZ	VOLTAGE RANGE		COMPRESSOR (EA)		OFM FLA	IFM FLA	POWER EXHAUST FLA	IFM TYPE	ELECTRIC HEATC			POWER SUPPLY		CRSINGLE PART NO. (NOTE3)	DISCONNECT SIZE		WIRING FIG. NO.							
		MIN	MAX	RLA	LRA					CRHEATER PART NO.	FLA	NOMINAL KW*	MCA	MOCP†		FLA	LRA								
04	208/230-3-60 (cont)	187	253	11.5	77	0.9	4.9	1.4	Low	—	—	—	26.4/26.4	30/30	—	27/27	97/97	—							
										207A00	6.3/ 7.2	2.3/ 3.0	26.4/26.4	30/30	030A00	27/27	97/97	15							
										208A00	10.0/11.5	3.8/ 5.0	26.4/27.7	30/30	030A00	27/27	97/97	15							
										209A00	15.0/17.3	5.6/ 7.5	32.6/35.0	35/40	030A00	30/33	97/97	15							
										210A00	20.0/23.1	7.5/10.0	38.9/42.2	40/45	030A00	36/39	97/97	15							
										211A00	30.0/34.6	11.3/15.0	51.4/56.6	60/60	030A00	47/53	97/97	15							
									High	—	—	—	26.4/26.4	30/30	—	27/27	97/97	15							
										207A00	6.3/ 7.2	2.3/ 3.0	26.4/26.4	30/30	030A00	27/27	97/97	15							
										208A00	10.0/11.5	3.8/ 5.0	26.4/27.7	30/30	030A00	27/27	97/97	15							
										209A00	15.0/17.3	5.6/ 7.5	32.6/35.0	35/40	030A00	30/33	97/97	15							
										210A00	20.0/23.1	7.5/10.0	38.9/42.2	40/45	030A00	36/39	97/97	15							
										211A00	30.0/34.6	11.3/15.0	51.4/56.6	60/60	030A00	47/53	97/97	15							
	460-3-60	414	506	5.1	35	0.5	2.1	—	Low	—	—	—	11.2	15	—	11	44	—							
										214A00	3.5	3.0	11.2	15	030A00	11	44	15							
										215A00	5.8	5.0	12.6	15	030A00	12	44	15							
										216A00	8.7	7.5	16.2	20	030A00	15	44	15							
										217A00	11.5	10.0	19.8	20	030A00	18	44	15							
										218A00	17.3	15.0	27.0	30	030A00	25	44	15							
										High	—	—	—	11.2	15	—	11	44	—						
											214A00	3.5	3.0	11.2	15	030A00	11	44	15						
											215A00	5.8	5.0	12.6	15	030A00	12	44	15						
											216A00	8.7	7.5	16.2	20	030A00	15	44	15						
											217A00	11.5	10.0	19.8	20	030A00	18	44	15						
											218A00	17.3	15.0	27.0	30	030A00	25	44	15						
									0.6	Low	—	—	—	11.8	15	—	12	45	—						
											214A00	3.5	3.0	11.8	15	030A00	12	45	15						
											215A00	5.8	5.0	13.3	15	030A00	12	45	15						
											216A00	8.7	7.5	16.9	20	030A00	16	45	15						
											217A00	11.5	10.0	20.5	25	030A00	19	45	15						
											218A00	17.3	15.0	27.7	30	030A00	26	45	15						
										High	—	—	—	11.8	15	—	12	45	—						
											214A00	3.5	3.0	11.8	15	030A00	12	45	15						
											215A00	5.8	5.0	13.3	15	030A00	12	45	15						
											216A00	8.7	7.5	16.9	20	030A00	16	45	15						
											217A00	11.5	10.0	20.5	25	030A00	19	45	15						
											218A00	17.3	15.0	27.7	30	030A00	26	45	15						
	575-3-60	518	632	4.3	31.0	0.4	2.2	—	Low	—	—	—	9.7	15	—	10	39	—							
										221A00	9.2	10.0	16.3	20	030A00	15	39	15							
										222A00	13.9	15.0	22.1	25	030A00	20	38	15							
										High	—	—	—	9.7	15	—	10	39	—						
											221A00	9.2	10.0	16.3	20	030A00	15	39	15						
											222A00	13.9	15.0	22.1	25	030A00	20	39	15						
									1.4	Low	—	—	—	11.1	15	—	12	41	—						
											221A00	9.2	10.0	18.0	20	030A00	17	41	15						
											222A00	13.9	15.0	23.9	25	030A00	22	41	15						
										High	—	—	—	11.1	15	—	12	41	—						
											221A00	9.2	10.0	18.0	20	030A00	17	41	15						
											222A00	13.9	15.0	23.9	25	030A00	22	41	15						
05	208/230-1-60	187	253	20.5	109	0.9	—	Low	—	—	—	37.4/ 37.4	50/ 50	—	36/ 36	127/127	—								
									201A00	17.3/20.0	3.8/ 5.0	37.4/ 37.4	50/ 50	028A00	36/ 36	127/127	13								
									202A00	26.0/30.0	5.6/ 7.5	43.6/ 48.6	50/ 50	028A00	41/ 46	127/127	13								
									203A00	34.7/40.0	7.5/10.0	54.5/ 61.1	60/ 70	028A00	51/ 57	127/127	13								
									204A00	52.0/60.0	11.3/15.0	76.1/ 86.1	80/ 90	029A00	71/ 80	127/127	14								
									205A00	69.3/80.0	15.0/20.0	97.8/111.1	100/125	029A00	91/103	127/127	14								
									High	—	—	—	39.5/ 39.5	50/ 50	—	38/ 38	153/153	—							
										201A00	17.3/20.0	3.8/ 5.0	39.5/ 39.5	50/ 50	028A00	38/ 38	153/153	13							
										202A00	26.0/30.0	5.6/ 7.5	46.2/ 51.3	50/ 60	028A00	43/ 48	153/153	13							
										203A00	34.7/40.0	7.5/10.0	57.1/ 63.8	60/ 70	028A00	53/ 60	153/153	13							
										204A00	52.0/60.0	11.3/15.0	78.7/ 88.8	80/ 90	029A00	73/ 83	153/153	14							
										205A00	69.3/80.0	15.0/20.0	100.4/113.8	110/125	029A00	93/106	153/153	14							
								208/230-3-60	187	253	14.6	91	0.9	—	—	Low	—	—	—	38.8/ 38.8	50/ 50	—	37/ 37	129/129	—
																	201A00	17.3/20.0	3.8/ 5.0	38.8/ 38.8	50/ 50	028A00	37/ 37	129/129	13
																	202A00	26.0/30.0	5.6/ 7.5	45.4/ 50.4	50/ 60	028A00	43/ 47	129/129	13
																	203A00	34.7/40.0	7.5/10.0	56.2/ 62.9	60/ 70	028A00	53/ 59	129/129	13
																	204A00	52.0/60.0	11.3/15.0	77.9/ 87.9	80/ 90	029A00	73/ 82	129/129	14
																	205A00	69.3/80.0	15.0/20.0	99.5/112.9	110/125	029A00	92/105	129/129	14
																High	—	—	—	40.9/ 40.9	60/ 60	—	40/ 40	155/155	—
																	201A00	17.3/20.0	3.8/ 5.0	40.9/ 40.9	60/ 60	028A00	40/ 40	155/155	13
																	202A00	26.0/30.0	5.6/ 7.5	48.0/ 53.0	60/ 60	028A00	45/ 50	155/155	13
																	203A00	34.7/40.0	7.5/10.0	58.8/ 65.5	60/ 70	028A00	55/ 61	155/155	13
																	204A00	52.0/60.0	11.3/15.0	80.5/ 90.5	90/100	029A00	75/ 84	155/155	14
																	205A00	69.3/80.0	15.0/20.0	102.2/115.5	110/125	029A00	95/107	155/155	14
	208/230-3-60	187	253	14.6	91	0.9	—	—	Low	—	—	—	28.8/28.8	40/40	—	29/29	109/109	—							
										208A00	10.0/11.5	3.8/ 5.0	28.8/28.8	40/40	030A00	29/29	109/109	15							
										209A00	15.0/17.3	5.6/ 7.5	30.9/33.2	40/40	030A00	29/31	109/109	15							
										210A00	20.0/23.1	7.5/10.0	37.2/40.4	40/45	030A00	34/38	109/109	15							
										211A00	30.0/34.6	11.3/15.0	49.7/54.9	50/60	030A00	46/51	109/109	15							
										212A00	40.0/46.2	15.0/20.0	62.2/69.3	70/70	031A00	57/64	109/109	16							
									High	—	—	—	29.1/29.1	40/40	—	29/29	128/128	—							
										208A00	10.0/11.5	3.8/ 5.0	29.1/29.1	40/40	030A00	29/29	128/128	15							
										209A00	15.0/17.3	5.6/ 7.5	31.3/33.6	40/40	030A00	29/31	128/128	15							
										210A00	20.0/23.1	7.5/10.0	37.5/40.8	40/45	030A00	35/38	128/128	15							
										211A00	30.0/34.6	11.3/15.0	50.0/55.2	60/60	030A00	46/51	128/128	15							
										212A00	40.0/46.2	15.0/20.0	62.5/69.7	70/80	031A00	58/65	128/128	16							

50PG03-16

Table 2 — Electrical Data — Units With Optional Powered Convenience Outlet (cont)

UNIT 50PG	NOMINAL POWER SUPPLY VOLTS-PH-HZ	VOLTAGE RANGE		COMPRESSOR (EA)		OFM FLA	IFM FLA	POWER EXHAUST FLA	IFM TYPE	ELECTRIC HEAT			POWER SUPPLY		CRSINGLE PART NO. (NOTE3)	DISCONNECT SIZE		WIRING FIG. NO.								
		MIN	MAX	RLA	LRA					CRHEATER PART NO.	FLA	NOMINAL KW*	MCA	MOCP†		FLA	LRA									
05 (cont)	208/230-3-60 (cont)	187	253	14.6	91	0.9	4.9	1.4	Low	—	—	—/—	30.2/30.2	40/40	—	31/31	111/111	—								
										208A00	10.0/11.5	3.8/ 5.0	30.2/30.2	40/40	030A00	31/31	111/111	15								
										209A00	15.0/17.3	5.6/ 7.5	32.6/35.0	40/40	030A00	31/33	111/111	15								
										210A00	20.0/23.1	7.5/10.0	38.9/42.2	40/45	030A00	36/39	111/111	15								
										211A00	30.0/34.6	11.3/15.0	51.4/56.6	60/60	030A00	47/53	111/111	15								
										212A00	40.0/46.2	15.0/20.0	63.9/71.0	70/80	031A00	59/66	111/111	16								
										—	—	—/—	30.5/30.5	45/45	—	31/31	130/130	—								
										208A00	10.0/11.5	3.8/ 5.0	30.5/30.5	45/45	030A00	31/31	130/130	15								
										209A00	15.0/17.3	5.6/ 7.5	33.0/35.3	45/45	030A00	31/33	130/130	15								
										210A00	20.0/23.1	7.5/10.0	39.3/42.6	45/45	030A00	36/40	130/130	15								
										211A00	30.0/34.6	11.3/15.0	51.8/57.0	60/60	030A00	48/53	130/130	15								
										212A00	40.0/46.2	15.0/20.0	64.3/71.4	70/80	031A00	59/66	130/130	16								
	460-3-60	414	506	7.1	46	0.5	2.1	—	Low	—	—	—	13.6	20	—	14	55	—								
										215A00	5.8	5.0	13.6	20	030A00	14	55	15								
										216A00	8.7	7.5	16.2	20	030A00	15	55	15								
										217A00	11.5	10.0	19.8	20	030A00	18	55	15								
										218A00	17.3	15.0	27.0	30	030A00	25	55	15								
										219A00	23.1	20.0	34.2	35	030A00	31	55	15								
										—	—	—	14.1	20	—	14	64	—								
										215A00	5.8	5.0	14.1	20	030A00	14	64	15								
										216A00	8.7	7.5	16.8	20	030A00	15	64	15								
										217A00	11.5	10.0	20.4	25	030A00	19	64	15								
										218A00	17.3	15.0	27.6	30	030A00	25	64	15								
										219A00	23.1	20.0	34.8	35	030A00	32	64	15								
575-3-60										518	632	5.0	34.0	0.4	2.0	—	Low	—	—	—	14.2	20	—	14	56	—
																		215A00	5.8	5.0	14.2	20	030A00	14	56	15
																		216A00	8.7	7.5	16.9	20	030A00	16	56	15
																		217A00	11.5	10.0	20.5	25	030A00	19	56	15
																		218A00	17.3	15.0	27.7	30	030A00	26	56	15
																		219A00	23.1	20.0	35.0	40	030A00	32	56	15
																		—	—	—	14.7	20	—	15	65	—
																		215A00	5.8	5.0	14.7	20	030A00	15	65	15
																		216A00	8.7	7.5	17.5	20	030A00	16	65	15
																		217A00	11.5	10.0	21.2	25	030A00	19	65	15
																		218A00	17.3	15.0	28.4	30	030A00	26	65	15
																		219A00	23.1	20.0	35.6	40	030A00	33	65	15
208/230-1-60	187	253	26.9	145	1.5	4.9	—	Low	—	—	—	46.1/ 46.1	60/ 60	—	44/ 44	164/164	—									
									201A00	17.3/ 20.0	3.8/ 5.0	46.1/ 46.1	60/ 60	028A00	44/ 44	164/164	13									
									202A00	26.0/ 30.0	5.6/ 7.5	46.1/ 48.6	60/ 60	028A00	44/ 46	164/164	13									
									203A00	34.7/ 40.0	7.5/10.0	54.5/ 61.1	60/ 70	028A00	51/ 57	164/164	13									
									204A00	52.0/ 60.0	11.3/15.0	76.1/ 86.1	80/ 90	029A00	71/ 80	164/164	14									
									205A00	69.3/ 80.0	15.0/20.0	97.8/111.1	100/125	029A00	91/103	164/164	14									
									206A00	86.7/100.0	18.8/25.0	119.4/136.1	125/150	029A00	111/126	164/164	14									
									—	—	—/—	48.2/ 48.2	60/ 60	—	46/ 46	190/190	—									
									201A00	17.3/ 20.0	3.8/ 5.0	48.2/ 48.2	60/ 60	028A00	46/ 46	190/190	13									
									202A00	26.0/ 30.0	5.6/ 7.5	48.2/ 51.3	60/ 60	028A00	46/ 48	190/190	13									
									203A00	34.7/ 40.0	7.5/10.0	57.1/ 63.8	60/ 70	028A00	53/ 60	190/190	13									
									204A00	52.0/ 60.0	11.3/15.0	78.7/ 88.8	80/ 90	029A00	73/ 83	190/190	14									
205A00	69.3/ 80.0	15.0/20.0	100.4/113.8	110/125	029A00	93/106	190/190	14																		
206A00	86.7/100.0	18.8/25.0	122.1/138.8	125/150	029A00	113/129	190/190	14																		

50PG03-16

LEGEND

- FLA** — Full Load Amps
- HACR** — Heating, Air Conditioning and Refrigeration
- IFM** — Indoor — Fan Motor
- LRA** — Locked Rotor Amps
- MCA** — Minimum Circuit Amps
- MOCP** — Maximum Overcurrent Protection
- NEC** — National Electrical Code
- OFM** — Outdoor—Fan Motor
- RLA** — Rated Load Amps



Example: Supply voltage is 460-3-60



AB = 224 v
 BC = 231 v
 AC = 226 v
 Average Voltage = $\frac{224 + 231 + 226}{3}$
 = $\frac{681}{3}$
 = 227

Determine maximum deviation from average voltage.

- (AB) 227 - 223 = 3 v
 - (BC) 231 - 227 = 4 v
 - (AC) 227 - 226 = 1 v
- Maximum deviation is 4 v.

Determine percent of voltage imbalance.

% Voltage Imbalance = $100 \times \frac{4}{227}$
 = 1.76%

This amount of phase imbalance is satisfactory as it is below the maximum allowable 2%.

IMPORTANT: If the supply voltage phase imbalance is more than 2%, contact your local electric utility company immediately.

- 3. Single point kits CRSINGLE028A00 and CRSINGLE030A00 are not required if field-supplied pressure connectors are used.

* Heater capacity (kW) is based on heater voltage of 208 v, 240 v, or 480 v. If power distribution voltage to unit varies from rated heater voltage, heater kW will vary accordingly.

† Fuse or HACR circuit breaker.

NOTES:

1. In compliance with NEC requirements for multimotor and combination load equipment (refer to NEC Articles 430 and 440), the overcurrent protective device for the unit shall be fuse or HACR breaker.
2. **Unbalanced 3-Phase Supply Voltage**
Never operate a motor where a phase imbalance in supply voltage is greater than 2%. Use the following formula to determine the percentage of voltage imbalance.

% Voltage Imbalance = $100 \times \frac{\text{max voltage deviation from average voltage}}{\text{average voltage}}$

Table 2 — Electrical Data — Units With Optional Powered Convenience Outlet (cont)

UNIT 50PG	NOMINAL POWER SUPPLY VOLTS-PH-HZ	VOLTAGE RANGE		COMPRESSOR		OFM FLA	IFM FLA	POWER EXHAUST FLA	IFM TYPE	ELECTRIC HEAT			POWER SUPPLY		CRSINGLE PART NO. (NOTES)	DISCONNECT SIZE		WIRING FIG. NO.	
		MIN	MAX	RLA	LRA					CRHEATER PART NO.	FLA	NOMINAL KW*	MCA	MOCPT†		FLA	LRA		
													FLA	LRA					
208/230-1-60 (cont)	187	253	26.9	145	1.5	4.9	1.4	—	Low	—	—	—/—	46.2/ 46.2	60/ 60	—	45/ 45	166/166	—	
										201A00	17.3/ 20.0	3.8/ 5.0	46.2/ 46.2	60/ 60	028A00	45/ 45	166/166	13	
										202A00	26.0/ 30.0	5.6/ 7.5	46.4/ 51.4	60/ 60	028A00	45/ 47	166/166	13	
										203A00	34.7/ 40.0	7.5/10.0	57.3/ 63.9	60/ 70	028A00	53/ 59	166/166	13	
										204A00	52.0/ 60.0	11.3/15.0	78.9/ 88.9	80/ 90	029A00	73/ 82	166/166	14	
										205A00	69.3/ 80.0	15.0/20.0	100.5/1139	110/125	029A00	92/105	166/166	14	
										206A00	86.7/100.0	18.8/25.0	122.3/138.9	125/150	029A00	112/128	166/166	14	
										—	—	—/—	49.6/ 49.6	60/ 60	—	48/ 48	192/192	—	
										201A00	17.3/ 20.0	3.8/ 5.0	49.6/ 49.6	60/ 60	028A00	48/ 48	192/192	13	
										202A00	26.0/ 30.0	5.6/ 7.5	49.6/ 53.0	60/ 60	028A00	48/ 50	192/192	13	
										203A00	34.7/ 40.0	7.5/10.0	58.8/ 65.5	60/ 70	028A00	55/ 61	192/192	13	
										204A00	52.0/ 60.0	11.3/15.0	80.5/ 90.5	90/100	029A00	75/ 84	192/192	14	
	205A00	69.3/ 80.0	15.0/20.0	102.2/115.5	110/125	029A00	95/107	192/192	14										
	206A00	86.7/100.0	18.8/25.0	123.8/140.5	125/150	029A00	115/130	192/192	14										
	208/230-3-60	187	253	17.6	123	1.5	5.2	—	—	Low	—	—	—/—	33.5/33.5	50/50	—	34/34	161/161	—
											208A00	10.0/11.5	3.8/ 5.0	33.5/33.5	50/50	030A00	34/34	161/161	15
											209A00	15.0/17.3	5.6/ 7.5	33.5/33.6	50/50	030A00	34/34	161/161	15
											210A00	20.0/23.1	7.5/10.0	37.5/40.8	50/50	030A00	35/38	161/161	15
											211A00	30.0/34.6	11.3/15.0	50.0/55.2	60/60	030A00	46/51	161/161	15
											212A00	40.0/46.2	15.0/20.0	62.5/69.7	70/80	031A00	58/65	161/161	16
											213A00	50.0/57.7	18.8/25.0	75.1/84.1	80/90	031A00	69/78	161/161	16
											—	—	—/—	33.5/33.5	50/50	—	34/34	161/161	—
											208A00	10.0/11.5	3.8/ 5.0	33.5/33.5	50/50	030A00	34/34	161/161	15
											209A00	15.0/17.3	5.6/ 7.5	33.5/33.6	50/50	030A00	34/34	161/161	15
210A00											20.0/23.1	7.5/10.0	37.5/40.8	50/50	030A00	35/38	161/161	15	
211A00											30.0/34.6	11.3/15.0	50.0/55.2	60/60	030A00	46/51	161/161	15	
212A00		40.0/46.2	15.0/20.0	62.5/69.7	70/80	031A00	58/65	161/161	16										
213A00		50.0/57.7	18.8/25.0	75.1/84.1	80/90	031A00	69/78	161/161	16										
460-3-60		414	506	7.7	50	0.8	2.6	—	—	Low	—	—	—/—	34.9/34.9	50/50	—	35/35	163/163	—
											208A00	10.0/11.5	3.8/ 5.0	34.9/34.9	50/50	030A00	35/35	163/163	15
											209A00	15.0/17.3	5.6/ 7.5	34.9/35.3	50/50	030A00	35/35	163/163	15
											210A00	20.0/23.1	7.5/10.0	39.3/42.6	50/50	030A00	36/40	163/163	15
											211A00	30.0/34.6	11.3/15.0	51.8/57.0	60/60	030A00	48/53	163/163	15
											212A00	40.0/46.2	15.0/20.0	64.3/71.4	70/80	031A00	59/66	163/163	16
											213A00	50.0/57.7	18.8/25.0	76.8/85.9	80/90	031A00	71/80	163/163	16
											—	—	—/—	34.9/34.9	50/50	—	35/35	163/163	—
											208A00	10.0/11.5	3.8/ 5.0	34.9/34.9	50/50	030A00	35/35	163/163	15
											209A00	15.0/17.3	5.6/ 7.5	34.9/35.3	50/50	030A00	35/35	163/163	15
	210A00										20.0/23.1	7.5/10.0	39.3/42.6	50/50	030A00	36/40	163/163	15	
	211A00										30.0/34.6	11.3/15.0	51.8/57.0	60/60	030A00	48/53	163/163	15	
	212A00	40.0/46.2	15.0/20.0	64.3/71.4	70/80	031A00	59/66	163/163	16										
	213A00	50.0/57.7	18.8/25.0	76.8/85.9	80/90	031A00	71/80	163/163	16										
	575-3-60	518	632	6.1	40.0	0.8	2.0	—	—	Low	—	—	—/—	15.2	20	—	15	69	—
											215A00	5.8	5.0	15.2	20	030A00	15	69	15
											216A00	8.7	7.5	16.8	20	030A00	15	69	15
											217A00	11.5	10.0	20.4	25	030A00	19	69	15
											218A00	17.3	15.0	27.6	30	030A00	25	69	15
											219A00	23.1	20.0	34.8	35	030A00	32	69	15
											220A00	28.9	25.0	42.1	45	030A00	39	69	15
											—	—	—/—	15.2	20	—	15	69	—
											215A00	5.8	5.0	15.2	20	030A00	15	69	15
											216A00	8.7	7.5	16.8	20	030A00	15	69	15
217A00											11.5	10.0	20.4	25	030A00	19	69	15	
218A00											17.3	15.0	27.6	30	030A00	25	69	15	
219A00		23.1	20.0	34.8	35	030A00	32	69	15										
220A00		28.9	25.0	42.1	45	030A00	39	69	15										
575-3-60		518	632	6.1	40.0	0.8	2.0	—	—	Low	—	—	—/—	15.8	20	—	16	70	—
											215A00	5.8	5.0	15.8	20	030A00	16	70	15
											216A00	8.7	7.5	17.5	20	030A00	16	70	15
											217A00	11.5	10.0	21.2	25	030A00	19	70	15
											218A00	17.3	15.0	28.4	30	030A00	26	70	15
											219A00	23.1	20.0	35.6	40	030A00	33	70	15
											220A00	28.9	25.0	42.8	45	030A00	39	70	15
											—	—	—/—	15.8	20	—	16	70	—
											215A00	5.8	5.0	15.8	20	030A00	16	70	15
											216A00	8.7	7.5	17.5	20	030A00	16	70	15
	217A00										11.5	10.0	21.2	25	030A00	19	70	15	
	218A00										17.3	15.0	28.4	30	030A00	26	70	15	
	219A00	23.1	20.0	35.6	40	030A00	33	70	15										
	220A00	28.9	25.0	42.8	45	030A00	39	70	15										
	575-3-60	518	632	6.1	40.0	0.8	2.0	—	—	Low	—	—	—/—	12.1	15	—	12	54	—
											221A00	9.2	10.0	16.2	20	030A00	15	54	15
											222A00	13.9	15.0	22.0	25	030A00	20	54	15
											223A00	18.5	20.0	27.8	30	030A00	26	54	15
											224A00	23.1	25.0	33.5	35	030A00	31	54	15
											—	—	—/—	13.5	15	—	14	56	—
											221A00	9.2	10.0	18.0	20	030A00	17	56	15
											222A00	13.9	15.0	23.7	25	030A00	22	56	15
											223A00	18.5	20.0	29.5	30	030A00	27	56	15
											224A00	23.1	25.0	35.3	35	030A00	32	56	15
—											—	—/—	12.1	20	—	12	54	—	
221A00											9.2	10.0	16.2	20	030A00	15	54	15	
222A00		13.9	15.0	22.0	25	030A00	20	54	15										
223A00		18.5	20.0	27.8	30	030A00	26	54	15										
224A00		23.1	25.0	33.5	40	030A00	31	54	15										
575-3-60		518	632	6.1	40.0	0.8	2.0	1.4	—	Low	—	—	—/—	13.5	20	—	14	56	—
											221A00	9.2	10.0	18.0	20	030A00	17	56	15
											222A00	13.9	15.0	23.7	25	030A00	22	56	15
											223A00	18.5	20.0	29.5	30	030A00	27	56	15
											224A00	23.1	25.0	35.3	40	030A00	32	56	15
											—	—	—/—	13.5	20	—	14	56	—
		221A00	9.2	10.0	18.0	20	030A00	17	56	15									
		222A00	13.9	15.0	23.7	25	030A00	22	56	15									
		223A00	18.5	20.0	29.5	30	030A00	27	56	15									
	224A00	23.1	25.0	35.3	40	030A00	32	56	15										

50PG03-16

Table 2 — Electrical Data — Units With Optional Powered Convenience Outlet (cont)

UNIT 50PG	NOMINAL POWER SUPPLY VOLTS-PH-HZ	VOLTAGE RANGE		COMPRESSOR		OFM FLA	IFM FLA	POWER EXHAUST FLA	IFM TYPE	ELECTRIC HEAT			POWER SUPPLY		CRSINGLE PART NO. (NOTE3)	DISCONNECT SIZE		WIRING FIG. NO.
		MIN	MAX	RLA	LRA					CRHEATER PART NO.	FLA	NOMINAL KW*	MCA	MOCP†		FLA	LRA	
07	208/230-3-60	187	253	20.5	149	1.5	5.2	—	Low	—	—	—/—	37.2/37.2	50/50	—	37/37	187/187	—
										208A00	10.0/11.5	3.8/ 5.0	37.2/37.2	50/50	030A00	37/37	187/187	15
										209A00	15.0/17.3	5.6/ 7.5	37.2/37.2	50/50	030A00	37/37	187/187	15
										210A00	20.0/23.1	7.5/10.0	37.5/40.8	50/50	030A00	37/38	187/187	15
										211A00	30.0/34.6	11.3/15.0	50.0/55.2	50/50	030A00	46/51	187/187	15
										212A00	40.0/46.2	15.0/20.0	62.5/69.7	60/70	031A00	58/65	187/187	16
										213A00	50.0/57.7	18.8/25.0	75.1/84.1	70/80	031A00	69/78	187/187	16
										—	—	—/—	39.5/39.5	50/50	—	39/39	213/213	—
										208A00	10.0/11.5	3.8/ 5.0	39.5/39.5	50/50	030A00	39/39	213/213	15
										209A00	15.0/17.3	5.6/ 7.5	39.5/39.5	50/50	030A00	39/39	213/213	15
										210A00	20.0/23.1	7.5/10.0	40.4/43.7	50/50	030A00	39/41	213/213	15
										211A00	30.0/34.6	11.3/15.0	52.9/58.1	60/60	030A00	49/54	213/213	15
							212A00	40.0/46.2	15.0/20.0	65.4/72.5	70/80	031A00	60/67	213/213	16			
							213A00	50.0/57.7	18.8/25.0	77.9/87.0	80/90	031A00	72/81	213/213	16			
							—	—	—/—	38.6/38.6	50/50	—	38/38	189/189	—			
							208A00	10.0/11.5	3.8/ 5.0	38.6/38.6	50/50	030A00	38/38	189/189	15			
							209A00	15.0/17.3	5.6/ 7.5	38.6/38.6	50/50	030A00	38/38	189/189	15			
							210A00	20.0/23.1	7.5/10.0	39.3/42.6	50/50	030A00	38/40	189/189	15			
							211A00	30.0/34.6	11.3/15.0	51.8/57.0	60/60	030A00	48/53	189/189	15			
							212A00	40.0/46.2	15.0/20.0	64.3/71.4	70/80	031A00	59/66	189/189	16			
							213A00	50.0/57.7	18.8/25.0	76.8/85.9	80/90	031A00	71/80	189/189	16			
							—	—	—/—	40.9/40.9	60/60	—	41/41	214/214	—			
							208A00	10.0/11.5	3.8/ 5.0	40.9/40.9	60/60	030A00	41/41	214/214	15			
							209A00	15.0/17.3	5.6/ 7.5	40.9/40.9	60/60	030A00	41/41	214/214	15			
	210A00	20.0/23.1	7.5/10.0	42.2/45.4	60/60	030A00	41/42	214/214	15									
	211A00	30.0/34.6	11.3/15.0	54.7/59.9	60/70	031A00	50/56	214/214	15									
	212A00	40.0/46.2	15.0/20.0	67.2/74.3	70/80	031A00	62/69	214/214	16									
	213A00	50.0/57.7	18.8/25.0	79.7/88.7	80/90	031A00	73/82	214/214	16									
	—	—	—/—	17.6	25	—	17	94	—									
	215A00	5.8	5.0	17.6	25	030A00	17	94	15									
	216A00	8.7	7.5	17.6	25	030A00	17	94	15									
	217A00	11.5	10.0	20.4	25	030A00	19	94	15									
	218A00	17.3	15.0	27.6	30	030A00	25	94	15									
	219A00	23.1	20.0	34.8	35	030A00	32	94	15									
	220A00	28.9	25.0	42.1	45	030A00	39	94	15									
	—	—	—/—	18.4	25	—	18	107	—									
	215A00	5.8	5.0	18.4	25	030A00	18	107	15									
	216A00	8.7	7.5	18.4	25	030A00	18	107	15									
	217A00	11.5	10.0	21.4	25	030A00	20	107	15									
	218A00	17.3	15.0	28.6	30	030A00	26	107	15									
	219A00	23.1	20.0	35.8	40	030A00	33	107	15									
	220A00	28.9	25.0	43.1	45	030A00	40	107	15									
	—	—	—/—	18.2	25	—	18	95	—									
	215A00	5.8	5.0	18.2	25	030A00	18	95	15									
	216A00	8.7	7.5	18.2	25	030A00	18	95	15									
	217A00	11.5	10.0	21.2	25	030A00	19	95	15									
	218A00	17.3	15.0	28.4	30	030A00	26	95	15									
	219A00	23.1	20.0	35.6	40	030A00	33	95	15									
220A00	28.9	25.0	42.8	45	030A00	39	95	15										
—	—	—/—	19.0	25	—	19	108	—										
215A00	5.8	5.0	19.0	25	030A00	19	108	15										
216A00	8.7	7.5	19.0	25	030A00	19	108	15										
217A00	11.5	10.0	22.2	25	030A00	20	108	15										
218A00	17.3	15.0	29.4	30	030A00	27	108	15										
219A00	23.1	20.0	36.6	40	030A00	34	108	15										
220A00	28.9	25.0	43.8	45	030A00	40	108	15										

50PG03-16

LEGEND

- FLA — Full Load Amps
- HACR — Heating, Air Conditioning and Refrigeration
- IFM — Indoor — Fan Motor
- LRA — Locked Rotor Amps
- MCA — Minimum Circuit Amps
- MOCP — Maximum Overcurrent Protection
- NEC — National Electrical Code
- OFM — Outdoor—Fan Motor
- RLA — Rated Load Amps



Example: Supply voltage is 460-3-60



AB = 224 v
 BC = 231 v
 AC = 226 v
 Average Voltage = $\frac{224 + 231 + 226}{3}$
 = $\frac{681}{3}$
 = 227

Determine maximum deviation from average voltage.

- (AB) 227 - 223 = 3 v
 - (BC) 231 - 227 = 4 v
 - (AC) 227 - 226 = 1 v
- Maximum deviation is 4 v.

Determine percent of voltage imbalance.

% Voltage Imbalance = $100 \times \frac{4}{227}$
 = 1.76%

This amount of phase imbalance is satisfactory as it is below the maximum allowable 2%.

IMPORTANT: If the supply voltage phase imbalance is more than 2%, contact your local electric utility company immediately.

- 3. Single point kits CRSINGLE028A00 and CRSINGLE030A00 are not required if field-supplied pressure connectors are used.

* Heater capacity (kW) is based on heater voltage of 208 v, 240 v, or 480 v. If power distribution voltage to unit varies from rated heater voltage, heater kW will vary accordingly.
 † Fuse or HACR circuit breaker.

NOTES:

1. In compliance with NEC requirements for multimotor and combination load equipment (refer to NEC Articles 430 and 440), the overcurrent protective device for the unit shall be fuse or HACR breaker.
2. **Unbalanced 3-Phase Supply Voltage**
 Never operate a motor where a phase imbalance in supply voltage is greater than 2%. Use the following formula to determine the percentage of voltage imbalance.

% Voltage Imbalance = $100 \times \frac{\text{max voltage deviation from average voltage}}{\text{average voltage}}$

Table 2 — Electrical Data — Units With Optional Powered Convenience Outlet (cont)

UNIT 50PG	NOMINAL POWER SUPPLY VOLTS-PH-HZ	VOLTAGE RANGE		COMPRESSOR		OFM FLA	IFM FLA	POWER EXHAUST FLA	IFM TYPE	ELECTRIC HEAT			POWER SUPPLY		CRSINGLE PART NO. (NOTE3)	DISCONNECT SIZE		WIRING FIG. NO.	
		MIN	MAX	RLA	LRA					CRHEATER PART NO.	FLA	NOMINAL KW*	MCA	MOCPT		FLA	LRA		
07 (cont)	575-3-60	518	632	7.6	54.0	0.8	2.0	—	Low	—	—	—	14.1	20	—	14	68	—	
										221A00	9.2	10.0	16.2	20	030A00	15	68	15	
										222A00	13.9	15.0	22.0	25	030A00	20	68	15	
										223A00	18.5	20.0	27.8	30	030A00	26	68	15	
										254A00	23.1	25.0	33.5	35	030A00	31	68	15	
										224A00	27.7	30.0	39.3	40	030A00	36	68	15	
									2.8	High	—	—	—	15.1	20	—	15	77	—
											221A00	9.2	10.0	17.2	20	030A00	16	77	15
											222A00	13.9	15.0	23.0	25	030A00	21	77	15
											223A00	18.5	20.0	28.8	30	030A00	26	77	15
											254A00	23.1	25.0	34.5	35	030A00	32	77	15
											224A00	27.7	30.0	40.3	45	030A00	37	77	15
							2.0	1.4	Low	—	—	—	15.4	20	—	15	70	—	
										221A00	9.2	10.0	18.0	20	030A00	17	70	15	
										222A00	13.9	15.0	23.7	25	030A00	22	70	15	
										223A00	18.5	20.0	29.5	30	030A00	27	70	15	
										254A00	23.1	25.0	35.3	40	030A00	32	70	15	
										224A00	27.7	30.0	41.1	45	030A00	38	70	15	
									2.8	High	—	—	—	16.2	20	—	16	81	—
											221A00	9.2	10.0	19.0	20	030A00	17	81	15
											222A00	13.9	15.0	24.7	25	030A00	23	81	15
											223A00	18.5	20.0	30.5	35	030A00	28	81	15
											254A00	23.1	25.0	36.3	40	030A00	33	81	15
											224A00	27.7	30.0	42.1	45	030A00	39	81	15
08	208/230-3-60	187	253	13.5	88	1.5	5.2	—	Low	—	—	—/—	43.3/ 43.3	50/ 50	—	46/ 46	217/217	—	
										225A00	20.0/23.1	7.5/10.0	43.3/ 43.3	50/ 50	030A00	46/ 46	217/217	15	
										226A00	30.0/34.6	11.3/15.0	50.0/ 55.2	60/ 60	030A00	46/ 51	217/217	15	
										227A00	50.0/57.7	18.8/25.0	75.1/ 84.1	80/ 90	031A00	69/ 78	217/217	16	
										228A00	70.0/80.8	26.3/35.0	100.1/113.0	110/125	031A00	92/104	217/217	17	
										229A00	80.0/92.4	30.0/40.0	112.6/127.4	125/150	031A00	104/118	217/217	17	
									7.5	High	—	—	—/—	45.6/ 45.6	50/ 50	—	49/ 49	243/243	—
											225A00	20.0/23.1	7.5/10.0	45.6/ 45.6	50/ 50	030A00	49/ 49	243/243	15
											226A00	30.0/34.6	11.3/15.0	52.9/ 58.1	60/ 60	030A00	49/ 54	243/243	15
											227A00	50.0/57.7	18.8/25.0	77.9/ 87.0	80/ 90	031A00	72/ 81	243/243	16
											228A00	70.0/80.8	26.3/35.0	102.9/115.9	110/125	031A00	95/107	243/243	17
											229A00	80.0/92.4	30.0/40.0	115.4/130.3	125/150	031A00	106/120	243/243	17
							5.2	3.0	Low	—	—	—/—	46.3/ 46.3	50/ 50	—	49/ 49	221/221	—	
										225A00	20.0/23.1	7.5/10.0	46.3/ 46.3	50/ 50	030A00	49/ 49	221/221	15	
										226A00	30.0/34.6	11.3/15.0	53.8/ 59.0	60/ 60	030A00	49/ 55	221/221	15	
										227A00	50.0/57.7	18.8/25.0	78.8/ 87.9	80/ 90	031A00	72/ 81	221/221	16	
										228A00	70.0/80.8	26.3/35.0	103.8/116.7	110/125	031A00	96/108	221/221	17	
										229A00	80.0/92.4	30.0/40.0	116.3/131.2	125/150	031A00	107/121	221/221	17	
									7.5	High	—	—	—/—	48.6/ 48.6	60/ 60	—	52/ 52	247/247	—
											225A00	20.0/23.1	7.5/10.0	48.6/ 48.6	60/ 60	030A00	52/ 52	247/247	15
											226A00	30.0/34.6	11.3/15.0	56.7/ 61.9	60/ 70	031A00	52/ 57	247/247	15
											227A00	50.0/57.7	18.8/25.0	81.7/ 90.7	90/100	031A00	75/ 84	247/247	16
											228A00	70.0/80.8	26.3/35.0	106.7/119.6	110/125	031A00	98/111	247/247	17
											229A00	80.0/92.4	30.0/40.0	119.2/134.0	125/150	031A00	110/124	247/247	17
460-3-60	414	506	6.4	39	0.8	2.6	—	Low	—	—	—	20.8	25	—	22	98	—		
									232A00	11.5	10.0	20.8	25	030A00	22	98	15		
									233A00	17.3	15.0	27.6	30	030A00	25	98	15		
									234A00	28.9	25.0	42.1	45	030A00	39	98	15		
									235A00	40.4	35.0	56.5	60	030A00	52	98	15		
									236A00	46.2	40.0	63.7	70	033A00	59	98	19		
								3.4	High	—	—	—	21.6	25	—	23	111	—	
										232A00	11.5	10.0	21.6	25	030A00	23	111	15	
										233A00	17.3	15.0	28.6	30	030A00	26	111	15	
										234A00	28.9	25.0	43.1	45	030A00	40	111	15	
										235A00	40.4	35.0	57.5	60	030A00	53	111	15	
										236A00	46.2	40.0	64.7	70	033A00	60	111	19	
						2.6	1.2	Low	—	—	—	22.0	25	—	23	101	—		
									232A00	11.5	10.0	22.0	25	030A00	23	101	15		
									233A00	17.3	15.0	29.1	30	030A00	27	101	15		
									234A00	28.9	25.0	43.6	45	030A00	40	101	15		
									235A00	40.4	35.0	58.0	60	030A00	53	101	15		
									236A00	46.2	40.0	65.2	70	033A00	60	101	19		
								3.4	High	—	—	—	22.8	25	—	24	114	—	
										232A00	11.5	10.0	22.9	25	030A00	24	114	15	
										233A00	17.3	15.0	30.1	35	030A00	28	114	15	
										234A00	28.9	25.0	44.6	45	030A00	41	114	15	
										235A00	40.4	35.0	59.0	60	030A00	54	114	15	
										236A00	46.2	40.0	66.2	70	033A00	61	114	19	

50PG03-16

Table 2 — Electrical Data — Units With Optional Powered Convenience Outlet (cont)

UNIT 50PG	NOMINAL POWER SUPPLY VOLTS-PH-HZ	VOLTAGE RANGE		COMPRESSOR		OFM FLA	IFM FLA	POWER EXHAUST FLA	IFM TYPE	ELECTRIC HEAT			POWER SUPPLY		CRSINGLE PART NO. (NOTE3)	DISCONNECT SIZE		WIRING FIG. NO.							
		MIN	MAX	RLA	LRA					FLA	FLA	NOMINAL KW*	MCA	MOCP†		FLA	LRA								
08 (cont)	575-3-60	518	632	6.4	30.0	0.8	2.0	—	Low	—	—	—	20.1	20	—	21	86	—							
										239A00	13.9	15.0	22.0	25	030A00	21	86	15							
										240A00	23.1	25.0	33.5	35	030A00	31	86	15							
										241A00	32.3	35.0	45.1	50	030A00	41	86	15							
										242A00	37.0	40.0	50.9	60	030A00	47	86	15							
										—	—	—	20.6	20	—	22	104	—							
										239A00	13.9	15.0	23.0	25	030A00	22	104	15							
	240A00	23.1	25.0	34.5	35	030A00	32	104	15																
	241A00	32.3	35.0	46.1	50	030A00	42	104	15																
	242A00	37.0	40.0	51.9	60	030A00	48	104	15																
	575-3-60	518	632	6.4	30.0	0.8	2.8	3.0	Low	—	—	—	19.9	25	—	21	88	—							
										239A00	13.9	15.0	25.7	30	030A00	24	88	15							
										240A00	23.1	25.0	37.3	40	030A00	34	88	15							
										241A00	32.3	35.0	48.8	50	030A00	45	88	15							
242A00										37.0	40.0	54.6	60	030A00	50	88	15								
—										—	—	20.7	25	—	22	100	—								
239A00										13.9	15.0	26.7	30	030A00	25	100	15								
240A00	23.1	25.0	38.3	40	030A00	35	100	15																	
241A00	32.3	35.0	49.8	50	030A00	46	100	15																	
242A00	37.0	40.0	55.6	60	030A00	51	100	15																	
09	208/230-3-60	187	253	16.0	91	1.5	—	Low	—	—	—	49.1/ 49.1	60/ 60	—	52/ 52	223/223	—								
									225A00	20.0/23.1	7.5/10.0	49.1/ 49.1	60/ 60	030A00	52/ 52	223/223	15								
									226A00	30.0/34.6	11.3/15.0	50.0/ 55.2	60/ 60	030A00	52/ 52	223/223	15								
									227A00	50.0/57.7	18.8/25.0	75.1/ 84.1	80/ 90	031A00	69/ 78	223/223	16								
									228A00	70.0/80.8	26.3/35.0	100.1/113.0	110/125	031A00	92/104	223/223	17								
									229A00	80.0/92.4	30.0/40.0	112.6/127.4	125/150	031A00	104/118	223/223	17								
									—	—	—	54.1/ 54.1	60/ 60	—	58/ 58	266/266	—								
									225A00	20.0/23.1	7.5/10.0	54.1/ 54.1	60/ 60	031A00	58/ 58	266/266	15								
									226A00	30.0/34.6	11.3/15.0	56.3/ 61.5	60/ 70	031A00	58/ 58	266/266	15								
									227A00	50.0/57.7	18.8/25.0	81.3/ 90.4	90/100	031A00	75/ 84	266/266	16								
									228A00	70.0/80.8	26.3/35.0	106.3/119.2	110/125	031A00	98/110	266/266	17								
									229A00	80.0/92.4	30.0/40.0	118.8/133.7	125/150	031A00	109/123	266/266	17								
									460-3-60	414	506	7.1	46	0.8	—	Low	—	—	—	52.1/ 52.1	60/ 60	—	55/ 55	227/227	—
																	225A00	20.0/23.1	7.5/10.0	52.1/ 52.1	60/ 60	031A00	55/ 55	227/227	15
	226A00	30.0/34.6	11.3/15.0	53.8/ 59.0	60/ 60	031A00	55/ 55	227/227									15								
	227A00	50.0/57.7	18.8/25.0	78.8/ 87.9	80/ 90	031A00	72/ 81	227/227									16								
	228A00	70.0/80.8	26.3/35.0	103.8/116.7	110/125	031A00	96/108	227/227									17								
	229A00	80.0/92.4	30.0/40.0	116.3/131.2	125/150	031A00	107/121	227/227									17								
	—	—	—	57.1/ 57.1	70/ 70	—	61/ 61	270/270									—								
	225A00	20.0/23.1	7.5/10.0	57.1/ 57.1	70/ 70	030A00	61/ 61	270/270									15								
	226A00	30.0/34.6	11.3/15.0	60.0/ 65.2	70/ 70	030A00	61/ 61	270/270									15								
	227A00	50.0/57.7	18.8/25.0	85.1/ 94.1	90/100	031A00	78/ 87	270/270									16								
	228A00	70.0/80.8	26.3/35.0	110.1/123.0	125/125	031A00	101/114	270/270									17								
	229A00	80.0/92.4	30.0/40.0	122.6/137.4	125/150	031A00	113/127	270/270									17								
	460-3-60	414	506	7.1	46	0.8	—	High									—	—	—	22.2	25	—	24	112	—
																	232A00	11.5	10.0	22.2	25	030A00	24	112	15
									233A00	17.3	15.0	27.6	30	030A00	25	112	15								
									234A00	28.9	25.0	42.1	45	030A00	39	112	15								
235A00									40.4	35.0	56.5	60	030A00	52	112	15									
236A00									46.2	40.0	63.7	70	033A00	59	112	19									
—									—	—	24.4	30	—	26	134	—									
232A00									11.5	10.0	24.4	30	030A00	26	134	15									
233A00									17.3	15.0	30.4	35	030A00	28	134	15									
234A00									28.9	25.0	44.8	45	030A00	41	134	15									
235A00									40.4	35.0	59.2	60	030A00	54	134	15									
236A00									46.2	40.0	66.5	70	033A00	61	134	19									

50PG03-16

LEGEND

- FLA — Full Load Amps
- HACR — Heating, Air Conditioning and Refrigeration
- IFM — Indoor — Fan Motor
- LRA — Locked Rotor Amps
- MCA — Minimum Circuit Amps
- MOCP — Maximum Overcurrent Protection
- NEC — National Electrical Code
- OFM — Outdoor—Fan Motor
- RLA — Rated Load Amps



Example: Supply voltage is 460-3-60



AB = 224 v
 BC = 231 v
 AC = 226 v
 Average Voltage = $\frac{224 + 231 + 226}{3}$
 = $\frac{681}{3}$
 = 227

Determine maximum deviation from average voltage.

- (AB) 227 - 223 = 3 v
 - (BC) 231 - 227 = 4 v
 - (AC) 227 - 226 = 1 v
- Maximum deviation is 4 v.

Determine percent of voltage imbalance.

% Voltage Imbalance = $100 \times \frac{4}{227}$
 = 1.76%

This amount of phase imbalance is satisfactory as it is below the maximum allowable 2%.

IMPORTANT: If the supply voltage phase imbalance is more than 2%, contact your local electric utility company immediately.

- 3. Single point kits CRSINGLE028A00 and CRSINGLE030A00 are not required if field-supplied pressure connectors are used.

% Voltage Imbalance = $100 \times \frac{\text{max voltage deviation from average voltage}}{\text{average voltage}}$

Table 2 — Electrical Data — Units With Optional Powered Convenience Outlet (cont)

UNIT 50PG	NOMINAL POWER SUPPLY VOLTS-PH-HZ	VOLTAGE RANGE		COMPRESSOR		OFM FLA	IFM FLA	POWER EXHAUST FLA	IFM TYPE	ELECTRIC HEAT			POWER SUPPLY		CRSINGLE PART NO. (NOTE3)	DISCONNECT SIZE		WIRING FIG. NO.								
		MIN	MAX	RLA	LRA					CRHEATER PART NO.	FLA	NOMINAL KW*	MCA	MOCPT		FLA	LRA									
09 (cont)	460-3-60 (cont)	414	506	7.1	46	0.8	2.6	1.2	Low	—	—	—	23.4	30	—	25	115	—								
										232A00	11.5	10.0	23.4	30	030A00	25	115	15								
										233A00	17.3	15.0	29.1	30	030A00	27	115	15								
										234A00	28.9	25.0	43.6	45	030A00	40	115	15								
										235A00	40.4	35.0	58.0	60	030A00	53	115	15								
										236A00	46.2	40.0	65.2	70	033A00	60	115	19								
									High	—	—	—	25.6	30	—	27	136	—								
										232A00	11.5	10.0	25.6	30	030A00	27	136	15								
										233A00	17.3	15.0	31.9	35	030A00	29	136	15								
										234A00	28.9	25.0	46.3	50	030A00	43	136	15								
										235A00	40.4	35.0	60.7	70	033A00	56	136	15								
										236A00	46.2	40.0	68.0	70	033A00	63	136	19								
	575-3-60	518	632	5.6	37.0	0.8	2.0	—	Low	—	—	—	17.9	20	—	19	100	—								
										239A00	13.9	15.0	22.0	25	030A00	20	100	15								
										240A00	23.1	25.0	33.5	35	030A00	31	100	15								
										241A00	32.3	35.0	45.1	50	030A00	41	100	15								
										242A00	37.0	40.0	50.9	60	030A00	47	100	15								
										High	—	—	—	19.2	25	—	21	138	—							
									239A00		13.9	15.0	23.6	25	030A00	22	138	15								
									240A00		23.1	25.0	35.2	35	030A00	32	138	15								
									241A00		32.3	35.0	46.7	50	030A00	43	138	15								
									242A00		37.0	40.0	52.5	60	030A00	48	138	15								
									208/230-3-60		187	253	17.6	123	1.9	7.5	—	Low	—	—	—/—	55.8/ 55.8	70/ 70	—	59/ 59	318/318
										225A00									20.0/ 23.1	7.5/10.0	55.8/ 55.8	70/ 70	031A00	59/ 59	318/318	15
226A00	30.0/ 34.6	11.3/15.0	55.8/ 58.1	70/ 70	031A00	59/ 59	318/318	15																		
227A00	50.0/ 57.7	18.8/25.0	77.9/ 87.0	80/ 90	031A00	72/ 81	318/318	16																		
228A00	70.0/ 80.8	26.3/35.0	102.9/115.9	110/125	031A00	95/107	318/318	17																		
229A00	80.0/ 92.4	30.0/40.0	115.4/130.3	125/150	031A00	106/120	318/318	17																		
High	—	—	—/—	58.5/ 58.5	70/ 70	—	62/ 62	335/335		—																
	225A00	20.0/ 23.1	7.5/10.0	58.5/ 58.5	70/ 70	031A00	62/ 62	335/335		15																
	226A00	30.0/ 34.6	11.3/15.0	58.5/ 61.5	70/ 70	031A00	62/ 62	335/335		16																
	227A00	50.0/ 57.7	18.8/25.0	81.3/ 90.4	90/100	031A00	75/ 84	335/335		16																
	228A00	70.0/ 80.8	26.3/35.0	106.3/119.2	110/125	031A00	98/110	335/335		17																
	229A00	80.0/ 92.4	30.0/40.0	118.8/133.7	125/150	031A00	109/123	335/335		17																
12	460-3-60	414	506	7.7	50	1.0	3.4	—	Low	—	—	—	58.8/ 58.8	70/ 70	—	63/ 63	322/322	—								
										225A00	20.0/ 23.1	7.5/10.0	58.8/ 58.8	70/ 70	031A00	63/ 63	322/322	15								
										226A00	30.0/ 34.6	11.3/15.0	58.8/ 61.9	70/ 70	031A00	63/ 63	322/322	16								
										227A00	50.0/ 57.7	18.8/25.0	81.7/ 90.7	90/100	031A00	75/ 84	322/322	16								
										228A00	70.0/ 80.8	26.3/35.0	106.7/119.6	110/125	031A00	98/111	322/322	17								
										229A00	80.0/ 92.4	30.0/40.0	119.2/134.0	125/150	031A00	110/124	322/322	17								
									High	—	—	—/—	61.5/ 61.5	70/ 70	—	66/ 66	339/339	—								
										225A00	20.0/ 23.1	7.5/10.0	61.5/ 61.5	70/ 70	031A00	66/ 66	339/339	15								
										226A00	30.0/ 34.6	11.3/15.0	61.5/ 65.2	70/ 70	031A00	66/ 66	339/339	16								
										227A00	50.0/ 57.7	18.8/25.0	85.1/ 94.1	90/100	031A00	78/ 87	339/339	16								
										228A00	70.0/ 80.8	26.3/35.0	110.1/123.0	125/125	031A00	101/114	339/339	17								
										229A00	80.0/ 92.4	30.0/40.0	122.6/137.4	125/150	031A00	113/127	339/339	17								
	460-3-60	414	506	7.7	50	1.0	3.4	—	Low	—	—	—	24.9	30	—	26	132	—								
										232A00	11.5	10.0	24.9	30	030A00	26	132	15								
										233A00	17.3	15.0	28.6	30	030A00	26	132	15								
										234A00	28.9	25.0	43.1	45	030A00	40	132	15								
										235A00	40.4	35.0	57.5	60	030A00	53	132	15								
										236A00	46.2	40.0	64.7	70	033A00	60	132	19								
									High	—	—	—	26.3	30	—	28	141	—								
										232A00	11.5	10.0	26.3	30	030A00	28	141	15								
										233A00	17.3	15.0	30.4	35	030A00	28	141	15								
										234A00	28.9	25.0	44.8	45	030A00	41	141	15								
										235A00	40.4	35.0	59.2	60	030A00	54	141	15								
										236A00	46.2	40.0	66.5	70	033A00	61	141	19								
237A00	57.7	50.0	66.5	80	033A00	74	141	19																		

50PG03-16

Table 2 — Electrical Data — Units With Optional Powered Convenience Outlet (cont)

UNIT 50PG	NOMINAL POWER SUPPLY VOLTS-PH-HZ	VOLTAGE RANGE		COMPRESSOR		OFM FLA	IFM FLA	POWER EXHAUST FLA	IFM TYPE	ELECTRIC HEAT			POWER SUPPLY		CRSINGLE PART NO. (NOTE3)	DISCONNECT SIZE		WIRING FIG. NO.											
		MIN	MAX	RLA	LRA					CRHEATER PART NO.	FLA	NOMINAL KW*	MCA	MOCP†		FLA	LRA												
													FLA	LRA															
12 (cont)	460-3-60 (cont)	414	506	7.7	50	1.0	3.4	1.2	Low	—	—	—	26.1	30	—	28	135	—											
										232A00	11.5	10.0	26.1	30	030A00	28	135	15											
										233A00	17.3	15.0	30.1	35	030A00	28	135	15											
										234A00	28.9	25.0	44.6	45	030A00	41	135	15											
										235A00	40.4	35.0	59.0	60	030A00	54	135	15											
										236A00	46.2	40.0	66.2	70	033A00	61	135	19											
										237A00	57.7	50.0	66.2	70	033A00	74	135	19											
										—	—	—	27.5	30	—	29	143	—											
										232A00	11.5	10.0	27.5	30	030A00	29	143	15											
										233A00	17.3	15.0	31.9	35	030A00	29	143	15											
										234A00	28.9	25.0	46.3	50	030A00	43	143	15											
										235A00	40.4	35.0	60.7	70	033A00	56	143	15											
										236A00	46.2	40.0	68.0	70	033A00	63	143	19											
										237A00	57.7	50.0	68.0	80	033A00	76	143	19											
	12 (cont)	575-3-60	518	632	6.1	40.0	0.8	2.8	—	Low	—	—	—	20.1	25	—	21	124	—										
											239A00	13.9	15.0	23.0	25	030A00	21	124	15										
											240A00	23.1	25.0	34.5	35	030A00	32	124	15										
											241A00	32.3	35.0	46.1	50	030A00	42	124	15										
											242A00	37.0	40.0	51.9	60	030A00	48	124	15										
											243A00	46.2	50.0	51.9	60	030A00	58	124	15										
											—	—	—	20.4	25	—	22	144	—										
											239A00	13.9	15.0	23.6	25	030A00	22	144	15										
											240A00	23.1	25.0	35.2	35	030A00	32	144	15										
											241A00	32.3	35.0	46.7	50	030A00	43	144	15										
											242A00	37.0	40.0	52.5	60	030A00	48	144	15										
											243A00	46.2	50.0	52.5	60	030A00	59	144	15										
											14	208/230-3-60	187	253	22.4	149	1.9	10.2	—	Low	—	—	—	69.3/ 69.3	90/ 90	—	73/ 73	387/387	—
																					225A00	20.0/ 23.1	7.5/10.0	69.3/ 69.3	90/ 90	032A00	73/ 73	387/387	18
226A00		30.0/ 34.6	11.3/15.0	69.3/ 69.3	90/ 90	032A00	73/ 73	387/387	18																				
227A00		50.0/ 57.7	18.8/25.0	81.3/ 90.4	90/100	032A00	75/ 84	387/387	18																				
228A00		70.0/ 80.8	26.3/35.0	106.3/119.2	110/125	032A00	98/110	387/387	18																				
230A00		100.1/115.5	37.6/50.0	143.8/133.7	150/150	032A00	132/150	387/387	18																				
231A00		120.1/138.6	45.1/60.0	168.9/156.8	175/175	032A00	155/177	387/387	18																				
15.0		High	—	—	—	74.1/ 74.1	90/ 90	—	79/ 79	396/396								—											
			225A00	20.0/ 23.1	7.5/10.0	74.1/ 74.1	90/ 90	032A00	79/ 79	396/396								18											
			226A00	30.0/ 34.6	11.3/15.0	74.1/ 74.1	90/ 90	032A00	79/ 79	396/396								18											
			227A00	50.0/ 57.7	18.8/25.0	87.3/ 96.4	90/100	032A00	80/ 89	396/396								18											
			228A00	70.0/ 80.8	26.3/35.0	112.3/125.2	125/150	032A00	103/116	396/396								18											
			230A00	100.1/115.5	37.6/50.0	149.8/139.7	150/150	032A00	138/156	396/396								18											
			231A00	120.1/138.6	45.1/60.0	174.9/162.8	175/175	032A00	161/182	396/396								18											

50PG03-16

LEGEND

- FLA** — Full Load Amps
- HACR** — Heating, Air Conditioning and Refrigeration
- IFM** — Indoor — Fan Motor
- LRA** — Locked Rotor Amps
- MCA** — Minimum Circuit Amps
- MOCP** — Maximum Overcurrent Protection
- NEC** — National Electrical Code
- OFM** — Outdoor—Fan Motor
- RLA** — Rated Load Amps



AB = 224 v
 BC = 231 v
 AC = 226 v
 Average Voltage = $\frac{224 + 231 + 226}{3}$
 = $\frac{681}{3}$
 = 227

Determine maximum deviation from average voltage.

- (AB) 227 - 223 = 3 v
 - (BC) 231 - 227 = 4 v
 - (AC) 227 - 226 = 1 v
- Maximum deviation is 4 v.

Determine percent of voltage imbalance.

% Voltage Imbalance = $100 \times \frac{4}{227}$
 = 1.76%

This amount of phase imbalance is satisfactory as it is below the maximum allowable 2%.

IMPORTANT: If the supply voltage phase imbalance is more than 2%, contact your local electric utility company immediately.

- 3. Single point kits CRSINGLE028A00 and CRSINGLE030A00 are not required if field-supplied pressure connectors are used.

% Voltage Imbalance = $100 \times \frac{\text{max voltage deviation from average voltage}}{\text{average voltage}}$

Table 2 — Electrical Data — Units With Optional Powered Convenience Outlet (cont)

UNIT 50PG	NOMINAL POWER SUPPLY VOLTS-PH-HZ	VOLTAGE RANGE		COMPRESSOR		OFM FLA	IFM FLA	POWER EXHAUST FLA	IFM TYPE	ELECTRIC HEAT			POWER SUPPLY		CRSINGLE PART NO. (NOTES)	DISCONNECT SIZE		WIRING FIG. NO.
		MIN	MAX	RLA	LRA					CRHEATER PART NO.	FLA	NOMINAL KW*	MCA	MOCPT		FLA	LRA	
14 (cont)	208/230-3-60 (cont)	187	253	22.4	149	1.9	10.2	3.0	Low	—	—	—/—	72.3/ 72.3	90/ 90	—	77/ 77	391/391	—
										225A00	20.0/ 23.1	7.5/10.0	72.3/ 72.3	90/ 90	032A00	77/ 77	391/391	18
										226A00	30.0/ 34.6	11.3/15.0	72.3/ 72.3	90/ 90	032A00	77/ 77	391/391	18
										227A00	50.0/ 57.7	18.8/25.0	85.1/ 94.1	90/100	032A00	78/ 87	391/391	18
										228A00	70.0/ 80.8	26.3/35.0	110.1/123.0	125/125	032A00	101/114	391/391	18
										230A00	100.1/115.5	37.6/50.0	147.6/137.4	150/150	032A00	136/154	391/391	18
									231A00	120.1/138.6	45.1/60.0	172.6/160.5	175/175	032A00	159/180	391/391	18	
									High	—	—	—/—	77.1/ 77.1	90/ 90	—	82/ 82	400/400	—
										225A00	20.0/ 23.1	7.5/10.0	77.1/ 77.1	90/ 90	032A00	82/ 82	400/400	18
										226A00	30.0/ 34.6	11.3/15.0	77.1/ 77.1	90/ 90	032A00	82/ 82	400/400	18
										227A00	50.0/ 57.7	18.8/25.0	91.1/100.1	100/110	032A00	84/ 93	400/400	18
										228A00	70.0/ 80.8	26.3/35.0	116.1/129.0	125/150	032A00	107/119	400/400	18
	230A00	100.1/115.5	37.6/50.0	153.6/143.4	175/150	032A00	141/159	400/400		18								
	231A00	120.1/138.6	45.1/60.0	178.6/166.5	200/175	032A00	164/186	400/400	18									
	460-3-60	414	506	10.6	75	1.0	4.8	—	Low	—	—	—	32.8	40	—	35	192	—
										232A00	11.5	10.0	32.8	40	030A00	35	192	15
										233A00	17.3	15.0	32.8	40	030A00	35	192	15
										234A00	28.9	25.0	44.8	45	030A00	41	192	15
										235A00	40.4	35.0	59.2	60	030A00	54	192	15
										237A00	57.7	50.0	66.5	80	033A00	74	192	19
									238A00	69.3	60.0	78.0	90	033A00	88	192	19	
									High	—	—	—	35.4	45	—	38	196	—
										232A00	11.5	10.0	35.4	45	030A00	38	196	15
										233A00	17.3	15.0	35.4	45	030A00	38	196	15
234A00										28.9	25.0	48.1	50	030A00	44	196	15	
235A00										40.4	35.0	62.5	70	033A00	57	196	15	
237A00	57.7	50.0	69.7	80	033A00	77	196	19										
238A00	69.3	60.0	81.3	90	033A00	91	196	19										
460-3-60	414	506	10.6	75	1.0	7.4	—	Low	—	—	—	34.0	40	—	36	194	—	
									232A00	11.5	10.0	34.0	40	030A00	36	194	15	
									233A00	17.3	15.0	34.0	40	030A00	36	194	15	
									234A00	28.9	25.0	46.3	50	030A00	43	194	15	
									235A00	40.4	35.0	60.7	70	033A00	56	194	15	
									237A00	57.7	50.0	68.0	80	033A00	76	194	19	
								238A00	69.3	60.0	79.5	90	033A00	89	194	19		
								High	—	—	—	36.6	45	—	39	199	—	
									232A00	11.5	10.0	36.6	45	030A00	39	199	15	
									233A00	17.3	15.0	36.6	45	030A00	39	199	15	
									234A00	28.9	25.0	49.6	50	030A00	46	199	15	
									235A00	40.4	35.0	64.0	70	033A00	59	199	19	
237A00	57.7	50.0	71.2	80	033A00	79	199		19									
238A00	69.3	60.0	82.8	90	033A00	92	199	19										
575-3-60	518	632	10.6	59.0	0.8	3.3	—	Low	—	—	—	30.4	30	—	32	182	—	
									239A00	13.9	15.0	30.4	30	030A00	32	182	15	
									240A00	23.1	25.0	35.2	35	030A00	32	182	15	
									241A00	32.3	35.0	46.7	50	030A00	43	182	15	
									242A00	37.0	40.0	52.5	60	030A00	48	182	15	
									243A00	46.2	50.0	52.5	60	030A00	59	182	15	
								244A00	55.4	60.0	61.7	70	033A00	70	182	19		
								High	—	—	—	32.7	30	—	35	193	—	
									239A00	13.9	15.0	32.7	30	030A00	35	193	15	
									240A00	23.1	25.0	38.0	40	030A00	35	193	15	
									241A00	32.3	35.0	49.6	50	030A00	46	183	15	
									242A00	37.0	40.0	55.4	60	030A00	51	193	15	
243A00	46.2	50.0	55.4	60	030A00	62	183		15									
244A00	55.4	60.0	65.1	70	033A00	72	193	19										
575-3-60	518	632	10.6	59.0	0.8	3.3	3.0	Low	—	—	—	26.4	30	—	28	139	—	
									239A00	13.9	15.0	26.7	30	030A00	28	139	15	
									240A00	23.1	25.0	38.3	40	030A00	35	139	15	
									241A00	32.3	35.0	49.8	50	030A00	46	139	15	
									242A00	37.0	40.0	55.6	60	030A00	51	139	15	
									243A00	46.2	50.0	55.6	60	030A00	62	139	15	
								244A00	55.4	60.0	64.9	70	033A00	72	139	19		
								High	—	—	—	29.2	35	—	31	153	—	
									239A00	13.9	15.0	30.2	35	030A00	31	153	15	
									240A00	23.1	25.0	41.8	45	030A00	38	153	15	
									241A00	32.3	35.0	53.3	60	030A00	49	153	15	
									242A00	37.0	40.0	59.1	60	030A00	54	153	15	
243A00	46.2	50.0	59.1	60	030A00	65	153		15									
244A00	55.4	60.0	68.4	70	033A00	76	153	19										

See legend pg. 32.

Table 2 — Electrical Data — Units With Optional Powered Convenience Outlet (cont)

UNIT 50PG	NOMINAL POWER SUPPLY (V-PH-HZ)	VOLTAGE RANGE		COMPR NO. 1		COMPR NO. 2		COMPR NO. 3		OFM	POWER EXHAUST		IFM TYPE	IFM FLA	ELECTRIC HEAT			POWER SUPPLY		CRSINGLE PART NO. (NOTE 3)	DISCONNECT SIZE		WIRING FIG. NO.			
		MIN	MAX	RLA	LRA	RLA	LRA	RLA	LRA	FLA	QTY	FLA			FLA	CRHEATER PART NO.	FLA	NOMINAL KW*	MCA		MOCP	FLA		LRA		
																	FLA	FLA	LRA							
16	208/230-3-60	187	253	18.1	137	18.1	137	17.6	123	1.9	—	—	—	—	10.2	—	—	—/—	79.0/ 79.0	90/ 90	—	86/ 86	487/487	—		
																255A00	52.1/ 60.1	18.8/25.0	83.9/ 93.4	90/100	034	86/ 86	487/487	20		
																256A00	104.2/120.3	37.6/50.0	149.1/138.5	150/150	034	137/156	487/487	20		
																257A00	156.3/180.4	56.3/75.0	175.1/198.6	200/225	034	197/225	487/487	20		
																Mid-Low	15.0	—	—	—/—	83.8/ 83.8	100/100	—	91/ 91	495/495	—
																		255A00	52.1/ 60.1	18.8/25.0	89.9/ 99.4	100/100	034	91/ 92	495/495	20
																		256A00	104.2/120.3	37.6/50.0	155.1/144.5	175/175	034	143/161	495/495	20
																		257A00	156.3/180.4	56.3/75.0	181.1/204.6	200/225	034	203/230	495/495	20
																High	19.4	—	—	—/—	88.2/ 88.2	100/100	—	96/ 96	534/534	—
																		255A00	52.1/ 60.1	18.8/25.0	95.4/104.9	100/110	034	96/ 97	534/534	20
																		256A00	104.2/120.3	37.6/50.0	160.6/150.0	175/175	034	148/166	534/534	20
																		257A00	156.3/180.4	56.3/75.0	186.6/210.1	200/250	034	208/235	534/534	20
	460-3-60	414	506	9.0	62	9.0	62	7.7	50	1.0	—	—	—	—	10.2	—	—	—/—	82.0/ 82.0	100/100	—	89/ 89	491/491	—		
																255A00	52.1/ 60.1	18.8/25.0	87.7/ 97.1	100/100	034	89/ 90	491/491	20		
																256A00	104.2/120.3	37.6/50.0	152.8/142.2	175/175	034	141/159	491/491	20		
																257A00	156.3/180.4	56.3/75.0	178.9/202.4	200/225	034	201/228	491/491	20		
																Mid-Low	15.0	—	—	—/—	86.8/ 86.8	100/100	—	95/ 95	499/499	—
																		255A00	52.1/ 60.1	18.8/25.0	93.7/103.1	100/110	034	95/ 95	499/499	20
																		256A00	104.2/120.3	37.6/50.0	158.8/148.2	175/175	034	146/165	499/499	20
																		257A00	156.3/180.4	56.3/75.0	184.9/208.4	200/225	034	206/234	499/499	20
																High	19.4	—	—	—/—	91.2/ 91.2	100/100	—	100/100	538/538	—
																		255A00	52.1/ 60.1	18.8/25.0	99.2/108.6	100/110	034	100/100	538/538	20
																		256A00	104.2/120.3	37.6/50.0	164.3/153.7	175/175	034	151/170	538/538	20
																		257A00	156.3/180.4	56.3/75.0	190.4/213.9	200/250	034	211/239	538/538	20
	75-3-60	518	633	6.8	50	6.8	50	6.1	40	0.8	—	—	—	—	4.8	—	—	—/—	37.9	45	—	41	217	—		
																258A00	30.1	25.0	46.3	50	035	43	217	21		
																259A00	60.1	50.0	68.9	80	036	77	217	22		
																260A00	90.2	75.0	98.9	100	036	112	217	22		
																Mid-Low	7.4	—	—	—/—	40.5	45	—	44	221	—
																		258A00	30.1	25.0	49.6	50	035	46	221	21
																		259A00	60.1	50.0	72.1	80	036	80	221	22
																		260A00	90.2	75.0	102.2	110	036	115	221	22
																High	9.7	—	—	—/—	42.8	50	—	47	240	—
																		258A00	30.1	25.0	52.4	60	035	48	240	21
																		259A00	60.1	50.0	75.0	80	036	83	240	22
																		260A00	90.2	75.0	105.1	125	036	117	240	22
	2	2	1.2	4.8	—	—	—/—	39.1	45	—	42	220	—													
					258A00	30.1	25.0	47.8	50	035	44	220	21													
					259A00	60.1	50.0	70.4	80	036	79	220	22													
					260A00	90.2	75.0	100.4	110	036	113	220	22													
					Mid-Low	7.4	—	—	—/—	41.7	50	—	45	224	—											
							258A00	30.1	25.0	51.1	60	035	47	224	21											
							259A00	60.1	50.0	73.6	80	036	82	224	22											
							260A00	90.2	75.0	103.7	125	036	116	224	22											
					High	9.7	—	—	—/—	44.0	50	—	48	243	—											
							258A00	30.1	25.0	53.9	60	035	50	243	21											
							259A00	60.1	50.0	76.5	80	036	84	243	22											
							260A00	90.2	75.0	106.6	125	036	119	243	22											
	2	2	3.0	2.8	—	—	—/—	28.3	35	—	31	169	—													
					261A00	24.1	25.0	35.7	40	035	33	169	21													
					262A00	46.2	50.0	51.9	60	035	58	169	21													
					263A00	72.2	75.0	77.8	90	036	88	169	22													
					Mid-Low	5.6	—	—	—/—	31.1	35	—	34	183	—											
							261A00	24.1	25.0	39.2	40	035	36	183	21											
							262A00	46.2	50.0	55.4	60	035	62	183	21											
							263A00	72.2	75.0	81.3	90	036	91	183	22											
					High	7.8	—	—	—/—	33.3	40	—	36	198	—											
							261A00	24.1	25.0	42.0	45	035	39	198	21											
							262A00	46.2	50.0	58.1	60	035	64	198	21											
							263A00	72.2	75.0	84.1	100	036	94	198	22											
	2	2	3.0	2.8	—	—	—/—	31.3	35	—	34	173	—													
					261A00	24.1	25.0	39.5	40	035	36	173	21													
					262A00	46.2	50.0	55.6	60	035	62	173	21													
					263A00	72.2	75.0	81.6	90	036	92	173	22													
					Mid-Low	5.6	—	—	—/—	34.1	40	—	37	187	—											
							261A00	24.1	25.0	43.0	45	035	40	187	21											
							262A00	46.2	50.0	59.1	60	035	65	187	21											
							263A00	72.2	75.0	85.1	90	036	95	187	22											
					High	7.8	—	—	—/—	36.3	40	—	40	202	—											
							261A00	24.1	25.0	45.7	50	035	42	202	21											
							262A00	46.2	50.0	61.9	70	036	68	202	21											
							263A00	72.2	75.0	87.8	100	036	97	202	22											

See legend pg. 32.

50PG03-16

LEGEND

- FLA – Full Load Amps
- HACR – Heating, Air Conditioning and Refrigeration
- IFM – Indoor – Fan Motor
- LRA – Locked Rotor Amps
- MCA – Minimum Circuit Amps
- MOCP – Maximum Overcurrent Protection
- NEC – National Electrical Code
- OFM – Outdoor–Fan Motor
- RLA – Rated Load Amps



* Heater capacity (kW) is based on heater voltage of 208 v, 240 v, or 480 v. If power distribution voltage to unit varies from rated heater voltage, heater kW will vary accordingly.

† Fuse or HACR circuit breaker.

NOTES:

1. In compliance with NEC requirements for multimotor and combination load equipment (refer to NEC Articles 430 and 440), the overcurrent protective device for the unit shall be fuse or HACR breaker.

2. **Unbalanced 3-Phase Supply Voltage**

Never operate a motor where a phase imbalance in supply voltage is greater than 2%. Use the following formula to determine the percentage of voltage imbalance.

$$\% \text{ Voltage Imbalance} = 100 \times \frac{\text{max voltage deviation from average voltage}}{\text{average voltage}}$$

Example: Supply voltage is 460-3-60



$$\begin{aligned} AB &= 224 \text{ v} \\ BC &= 231 \text{ v} \\ AC &= 226 \text{ v} \\ \text{Average Voltage} &= \frac{224 + 231 + 226}{3} \\ &= \frac{681}{3} \\ &= 227 \end{aligned}$$

Determine maximum deviation from average voltage.

$$(AB) 227 - 223 = 3 \text{ v}$$

$$(BC) 231 - 227 = 4 \text{ v}$$

$$(AC) 227 - 226 = 1 \text{ v}$$

Maximum deviation is 4 v.

Determine percent of voltage imbalance.

$$\begin{aligned} \% \text{ Voltage Imbalance} &= 100 \times \frac{4}{227} \\ &= 1.76\% \end{aligned}$$

This amount of phase imbalance is satisfactory as it is below the maximum allowable 2%.

IMPORTANT: If the supply voltage phase imbalance is more than 2%, contact your local electric utility company immediately.

3. Single point kits CRSINGLE028A00 and CRSINGLE030A00 are not required if field-supplied pressure connectors are used.

Free Manuals Download Website

<http://myh66.com>

<http://usermanuals.us>

<http://www.somanuals.com>

<http://www.4manuals.cc>

<http://www.manual-lib.com>

<http://www.404manual.com>

<http://www.luxmanual.com>

<http://aubethermostatmanual.com>

Golf course search by state

<http://golfingnear.com>

Email search by domain

<http://emailbydomain.com>

Auto manuals search

<http://auto.somanuals.com>

TV manuals search

<http://tv.somanuals.com>